

Parts Manual for

# SNAPPER®

## SHREDDER GRINDER CHIPPER SERIES 0

<b>MODEL</b>
<b>SG8000</b>

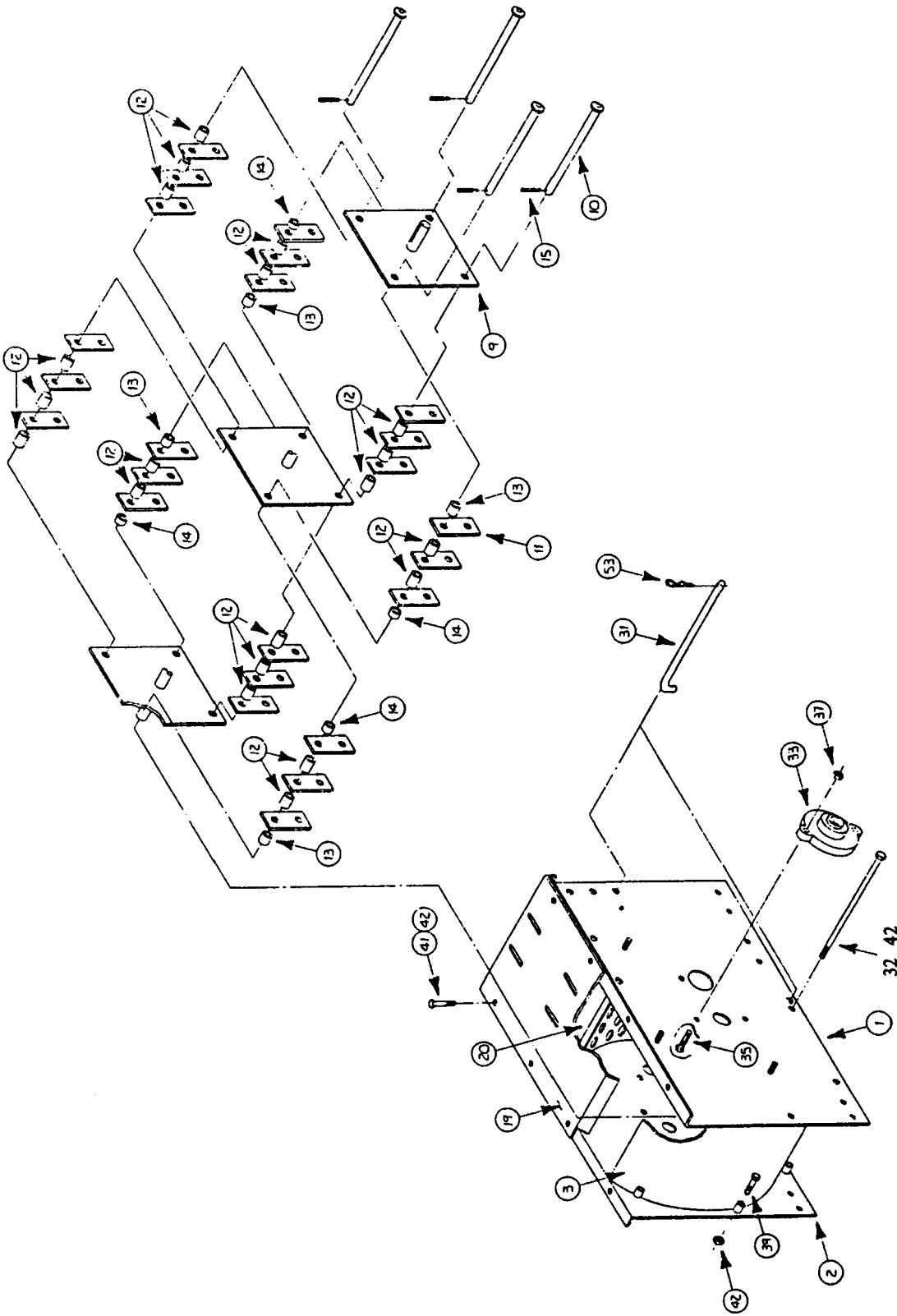


**PARTS FOR THIS MACHINE MUST BE ORDERED FROM:**  
1189 Old Schuylkill Road \* P.O. Box 111 \* Parker Ford, PA 19457-0111  
Phone: (610) 495-7181 or (800) 348-1117, Fax: (610) 495-5951

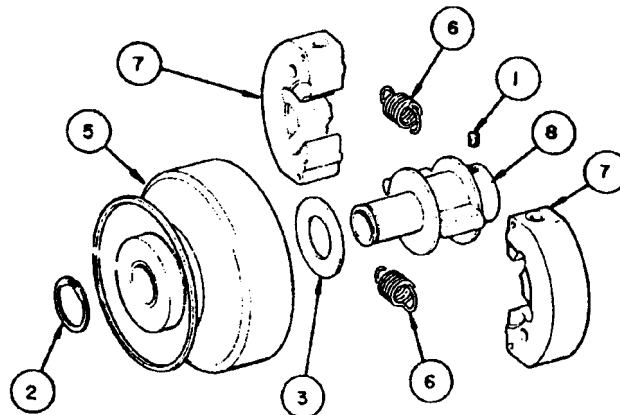
**SNAPPER**® McDonough, GA., 30253 U.S.A.

COPYRIGHT © 1999  
SNAPPER INC.  
ALL RIGHTS RESERVED

MANUAL No. 0-6165 (I.R. 08/02/99)

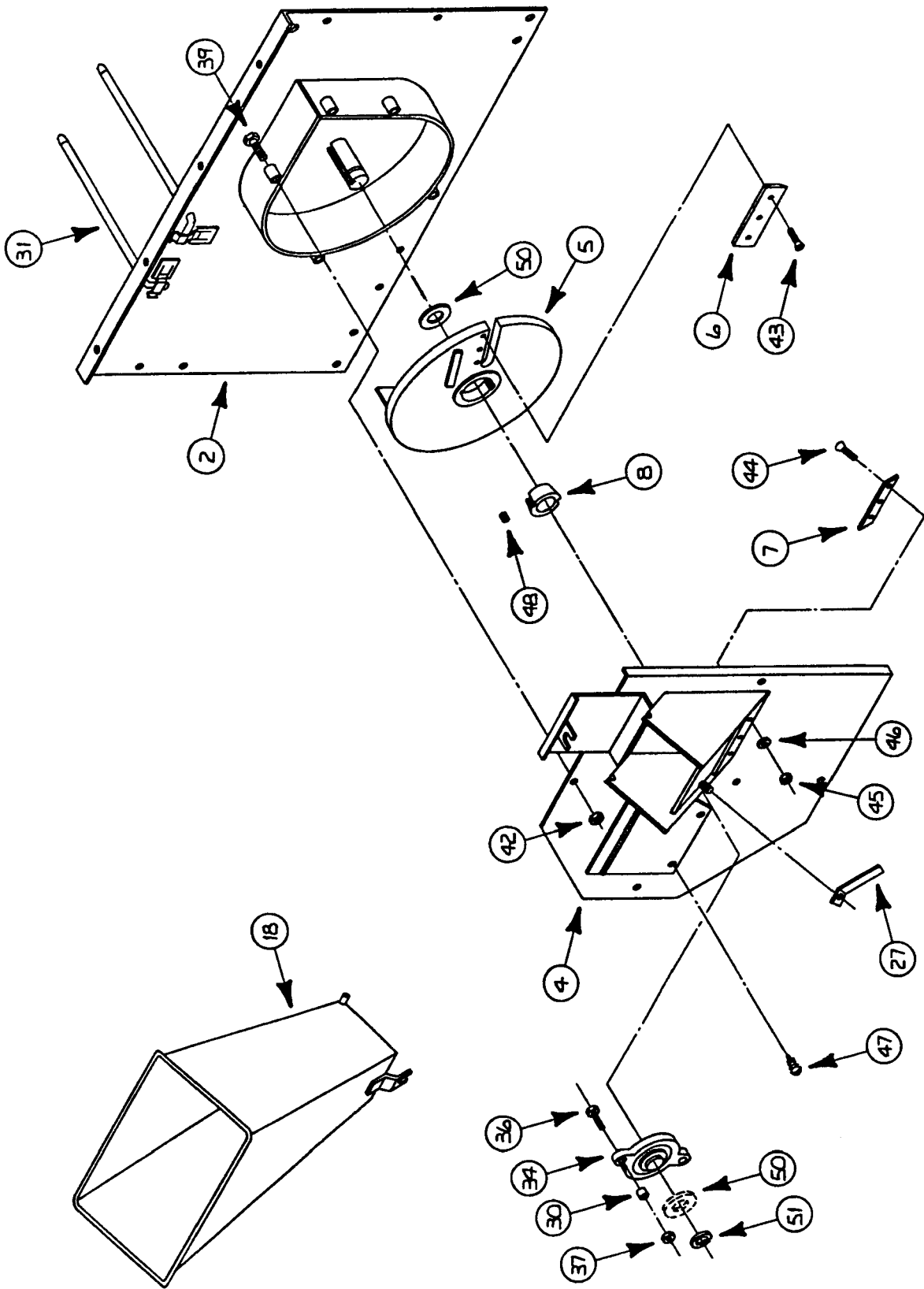


Item No.	Part No.	Description	Quantity
1	40753	Right Side Plate	1
2	40754	Left Side Plate	1
3	40755	Scroll	1
9	40756	Rotor Weldment	1
10	40797	Hammer Rod	4
11	40802	Hammer	24
12	40803	Spacer 7/8"	20
13	40804	Spacer 5/8"	4
14	40805	Spacer 5/16"	4
15	40806	Groove Pin	4
19	40905	Top Plate	1
20	40758	Screen (1" Standard)	1
31	40759	Screen and Baffle Rod	2
32	40760	Tie Rod	1
33	40761	Bearing Right Side	1
35	40855	3/8-16 x 1 Hex Hd. Cap Screw GR 5 Blk.	2
37	90490	3/8-16 Grip-Co Lock Nut	2
39	90627	5/16-18 x 1-1/4 Hex Hd. Cap Screw GR5	6
41	76934	5/16-18 x 3/4 Hex Hd. Cap Screw GR 5	4
42	90194	5/16-18 Grip-Co Lock Nut	11
53	11773	3/32 Hair Cotter Pin	2



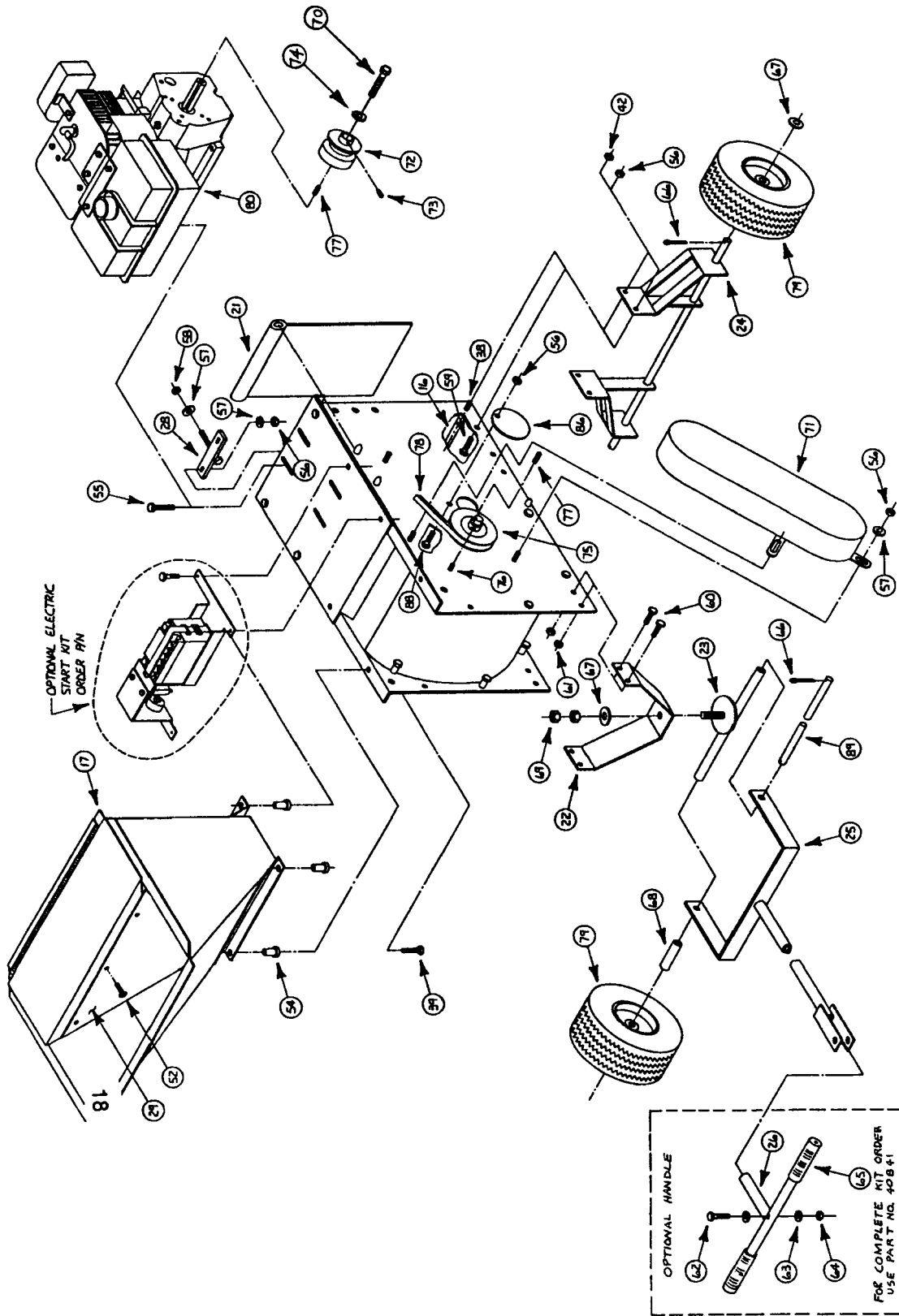
**CLUTCH PARTS LIST, 1" BORE - 8 HP ENGINES**  
**Complete Part #40783**

Key No.	Part No.	Description	Quantity
1	77681	Set Screw	2
2	40791	Retaining Ring	1
3	40792	Washer	1
5	40793	Drum & Bushing	2
6	40794	Spring	2
7	40795	Shoe	2
8	40796	Hub	1



ITEM 50 MAY BE LOCATED EITHER PLACE AT FACTORY ASSEMBLY.

<b>Item No.</b>	<b>Part No.</b>	<b>Description</b>	<b>Quantity</b>
2	40754	Left Side Plate	1
4	40762	Chipper Side Plate	1
5	40763	Chipper Disc	1
6	40809	Knife	1
7	40764	Wear Plate	1
8	40765	Bushing 1-3/16	1
18	40767	Chipper Hopper	1
27	40768	Hopper Locking Handle	1
30	40769	Bushing	2
31	40778	Screen and Baffle Rod	2
34	40771	Bearing Left Side	1
36	40855	3/8-16 x 1 Hex Hd. Cap Screw GR 5 Blk.	2
37	90490	3/8-16 Grip-Co Lock Nut	2
39	90627	5/16-18 x 1-1/4 Hex Hd. Cap Screw GR 5	5
42	90194	5/16-18 Grip-Co Lock Nut	5
43	40867	5/16-18 x 3/4 Flat Hd. Socket Cap Screw Blk.	3
44	40856	1/4-20 x 1 Flat Hd. Socket Cap Screw Blk.	3
45	40853	1/4-20 Flex Lock Nut	3
46	90598	1/4 Flatwasher	3
47	40857	6-32 x 3/8 Sheet Metal Screw	2
48	40858	3/8-16 x 5/8 Set Screw	2
50	40859	1-3/16 Flatwasher	2
51	40860	Retaining Ring	3



Item No.	Part No.	Description	Quantity
16	40772	Spacer	1
17	40773	Hopper	1
21	40774	Baffle Plate	1
22	40775	Front Axle Mounting Bracket	1
23	40776	Axle	2
24	40777	Axle Bracket	2
25	40778	Tow Hitch	1
26	40779	Pull Handle	1
28	40780	Belt Tensioner	1
29	40781	Hopper Flex Guard	1
38	40782	Tie Rod	1
39	90627	5/16-18 x 1-1/4 Hex Hd. Cap Screw GR 5	4
52	40801	Push Button	3
54	40799	Vibration Dampner	4
55	90930	5/16-18 x 2 Hex Hd. Cap Screw Pltd.	4
56	90194	5/16-18 Grip-Co Lock Nut Pltd.	8
57	90692	5/16 Flat Washer Pltd.	8
58	40861	5/16-18 Flex Lock Nut Pltd.	1
59	78934	5/16-18 x 3/4 Hex Hd. Cap Screw Pltd.	2
60	40862	3/8-16 x 3/4 Hex Hd. Cap Screw Pltd.	4
61	90490	3/8-16 Grip-Co Lock Nut Pltd.	4
62	90655	3/8-16 x 1-1/2 Hex Hd. Cap Screw Pltd.	1
63	90600	3/8 Flatwasher Pltd.	2
64	40863	3/8-16 Flex Lock Nut Pltd.	1
65	40873	Handle Grip	2
66	90042	1/8 x 1-1/4 Cotter Pin	4
67	40864	5/8 Flatwasher Pltd.	3
68	40788	Axle Spacer	2
69	40865	5/8-11 Hex Nut Pltd.	2
70	40907	7/16-20 x 3/4" Hex Hd. Cap Screw	1
71	40798	Belt Guard	1
72	40783	Clutch (see page 3 for assembly)	1
74	90500	Flatwasher 7/16"	1
75	40789	Rotor Pulley (includes item #76)	1
76	90201	5/16-18 x 5/16 Set Screw	2
77	13250	1/4 x 1/4 x 1 Shaft Key	2
78	40784	Belt 4L-450	1
79	40785	Wheel 10.5 x 3.50	4
80	40786	Engine 8 HP	1
86	40808	Cover Plate	1
88	90204	5/16-18 x 5/8 Hex Hd. Cap Screw	1
89	40787	Axle Rod	1
90	40752	Basic Shredder-Grinder	1

*Parts Manual for*

**SNAPPER®**

**SG8000 SHREDDER GRINDER  
CHIPPER  
SERIES 0**

COPYRIGHT © 1999  
SNAPPER INC.  
ALL RIGHTS RESERVED

**SNAPPER®** McDonough, GA., 30253 U.S.A.

**MANUAL No. 0-6165 (I.R. 08/02/99)**

**Printed in U.S.A.**



## Free Manuals Download Website

<http://myh66.com>

<http://usermanuals.us>

<http://www.somanuals.com>

<http://www.4manuals.cc>

<http://www.manual-lib.com>

<http://www.404manual.com>

<http://www.luxmanual.com>

<http://aubethermostatmanual.com>

Golf course search by state

<http://golfingnear.com>

Email search by domain

<http://emailbydomain.com>

Auto manuals search

<http://auto.somanuals.com>

TV manuals search

<http://tv.somanuals.com>