

Safety Instruction & Operator's Manual for
SNAPPER[®]

EDGER-TRIMMERS

MODEL
ETC302K

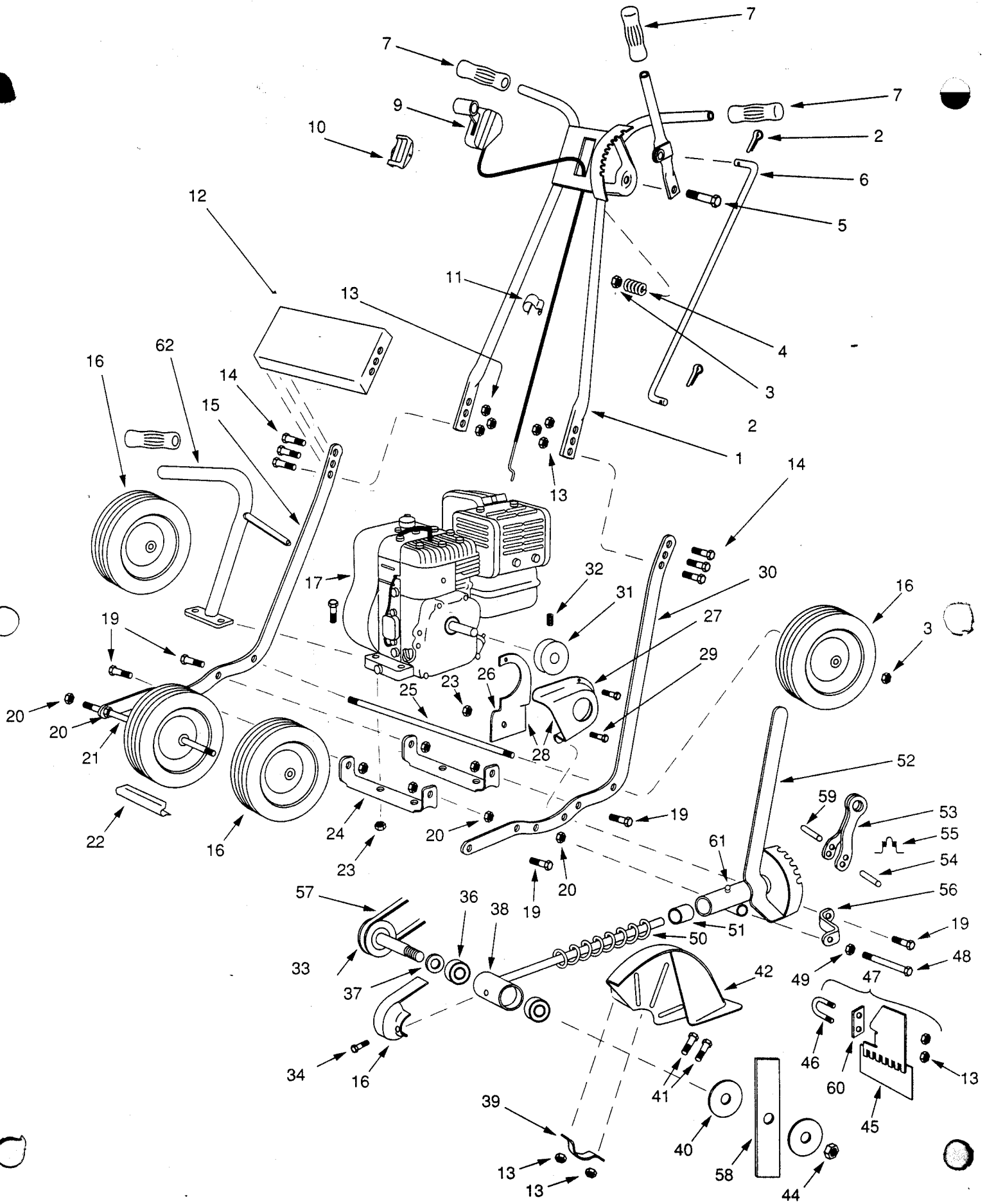


Thank you for buying a SNAPPER product! Your Edger-Trimmer was designed and built to provide long and satisfactory service. Study this manual carefully before operating this equipment and pay particular attention to the Important Safety Instructions found on page 2. Keep in mind that an Edger-Trimmer, like any other mechanical device, can be potentially dangerous if used improperly. Following the instructions in this and the engine manual will help you continue to enjoy the trouble-free operation expected of a SNAPPER.

SNAPPER McDonough, GA., 30253 U.S.A.
DIVISION OF FUQUA INDUSTRIES, INC.

PN: 022900

Lawn Edger and Trimmer Parts Illustration



LAWN EDGER AND TRIMMER PARTS LIST

REF. NO.	PART NO.	DESCRIPTION	REF. NO.	PART NO.	DESCRIPTION
1	041155	Edger Handle	41	041192	Bolt, Hex 1/4-28 x 1-1/2
2	041156	Cotter Pin, 1/8 x 3/4	42	041193	Blade Guard Main
3	041157	Nut Lock Hex 7/16-14 x 2	43	041231	Blade Guard Complete (SVC)
4	041158	Spring	44	041195	Nut 1/2-20
5	041159	Bolt, Hex, 7/16-14 x 2	45	041196	Deflector, Debris Shield
6	041160	Rod, Clutch & Depth	46	041197	U-Clamp
7	041161	Handle Grip	47	041217	Service, Debris Guard Complete
8	041162	Lever, Clutch & Depth	48	041198	Pivot Bolt
9	041163	Throttle Control	42	041199	Flat Washer 7/16
9	041226	Throttle Control (Commercial)	50	041200	Spring Head Recoil
10	041218	Throttle Control Holder	51	041201	Cup
11	041164	Clip, Throttle Cable	52	041202	Body, Cutterhead
12	041165	Handle Cross Brace w/Snapper Decal 24386	53	041203	Lever, Angle Shifting
12	041227	Handle Cross Brace w/Snapper Decal 24498 (Commercial)	54	041204	Pin, 5/16 x 1-1/2
13	041166	Nut, Hex 1/4-28	55	041205	Spring, Lever Rod
14	041167	Bolt, Hex 1/4-28 x 7/8	56	041206	Brace, Cutterhead
15	041168	Frame, Right Hand	57	041207	Drive Belt
15	041228	8" Steel Wheel	58	041211	Cutting Blade (P.O.P. Package)
17	041171	Engine, 3.1HP Kawasaki w/Snapper Decal	59	041208	Pin, 5/16 x 1-1/4
17	041229	Engine, 3HP Briggs & Stratton w/Snapper Decal	60	041209	U-Clamp Spacer
18	041172	Bolt, 5/16-24 x 1-1/2	61	041210	Grease Fitting
19	041173	Bolt 5/16-24 x 7/8	62	041212	Edger Lift Handle
20		Nut, Hex 7/16-14		041170	Rear Wheel Hub Cap (Plastic Wheel)
21	041175	8" Front Axle		041213	Bearing, R-O Wheel
22	041176	8" Front Wheel Spacer (4 1/4)		041214	Bearing, R-O/Front Wheel
22	041230	8" Front Wheel Spacer		041215	Service, Rear Wheel Complete
23	041177	Nut, Hex 5/16-24		041216	Service, Front Wheel Complete
24	041178	8" Frame Crossmember		041219	Pulley Guard/Bracket Assembly Service
25	041179	8" Rear Axle		041220	Cutting Head Service Assembly
26	041180	Bracket, Engine Pulley Guard		041222	Bearing, Handle
27	041181	Guard, Engine Pulley		041223	8" Tire Only
29	041182	Screw, #10 x 1/2		041224	8" Rear Rim Only
30	041183	8" Frame, Left Hand		041225	8" Front Rim Only
31	041184	Engine Pulley (KAW)			
32	041185	Set Screw, 5/16-24 x 5/16			
33	041186	SVC, Cutter Head/Shaft Complete			
34	041187	Screw, Hex 1/4-20 x 1/2			
35	041188	Cutterhead Pulley Guard			
36	041189	Cutterhead Bearing			
37	041221	Spring Washer			
38	041190	Mandrel Head			
38	041191	Clamp, Blade Guard			
40	041194	Washer, Friction			

Free Manuals Download Website

<http://myh66.com>

<http://usermanuals.us>

<http://www.somanuals.com>

<http://www.4manuals.cc>

<http://www.manual-lib.com>

<http://www.404manual.com>

<http://www.luxmanual.com>

<http://aubethermostatmanual.com>

Golf course search by state

<http://golfingnear.com>

Email search by domain

<http://emailbydomain.com>

Auto manuals search

<http://auto.somanuals.com>

TV manuals search

<http://tv.somanuals.com>