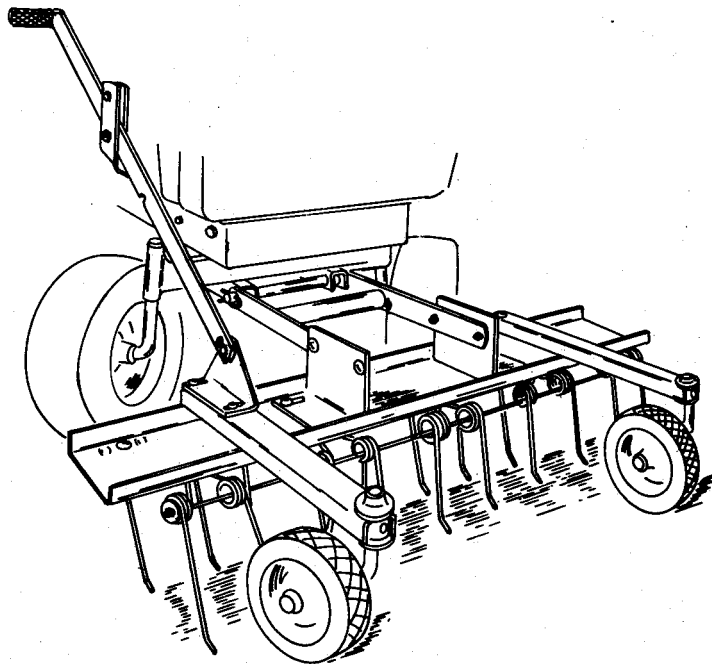


OPERATOR'S MANUAL THATCHER




THATCHER
MFG. NO. 1690819

FORM 1673040
PRINTED IN U.S.A.

L-1103

Safety Rules



Read these safety rules and the safety rules in your rider Operator's Manual and follow them closely. Failure to obey these rules could result in loss of control of vehicle, severe personal injury to yourself or bystanders, or damage to property or equipment. The triangle  in the text signifies important cautions or warnings which must be followed.



WARNING

Disengage mower and turn off engine before removing thatcher. Do not remove thatcher while mower is running.



WARNING

Do not remove any part of the thatcher or make any adjustment while the engine is running.



WARNING

Never operate mower without safety rods installed.



WARNING

Stop engine and remove ignition key whenever you leave operating position and before making repairs, adjustments, or inspections.

ALL WARNING, CAUTION, and instructional messages on your tractor and attachment should be carefully read and obeyed. Personal bodily injury can result when these instructions are not followed.

THATCHER

ASSEMBLY – OPERATION – MAINTENANCE – PARTS LIST

Introduction

The thatcher will effectively dislodge excessive thatch from your lawn. Thatch is a layer of stems, clippings, runners, roots and leaves that have not decayed. Excessive thatch prevents air, water and fertilizer from reaching the roots. Read these instructions to avoid improper assembly and operation.

Assembly

NOTE:

All references to left and right are made from the operator's position while seated on the tractor.

FIG. 1. Install the lift bracket (A) and the wheel supports (B) to the tine tray (C), using four $\frac{1}{4}$ " x $2\frac{1}{2}$ " carriage bolts (D), and secure with hex lock nuts (E). Attach the lift bracket to the right wheel support as shown in Fig. 1. Tighten securely.

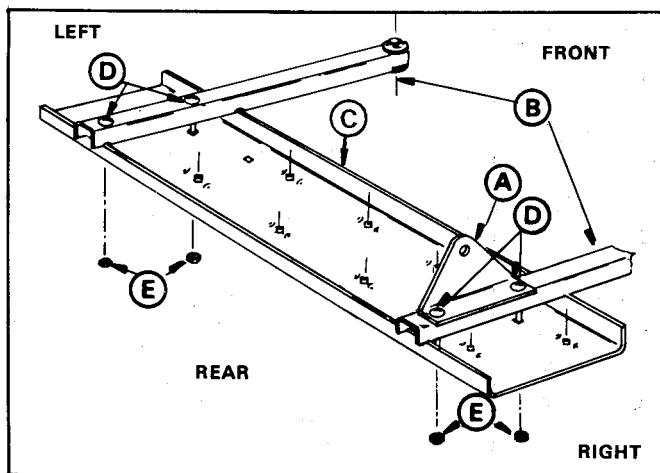


FIGURE 1.

- A. Lift Bracket
- B. Wheel Supports
- C. Tine Tray
- D. Carriage Bolts
- E. Hex Lock Nuts

FIG. 2 Attach the tray brackets (A) to the tine tray (B) as shown in Fig. 2, with the offset inward, using four $\frac{5}{16}$ " x 1" carriage bolts (C), two thick flat washers (D) as shown, and four lock washers (E) and hex nuts (F). Finger tighten only.

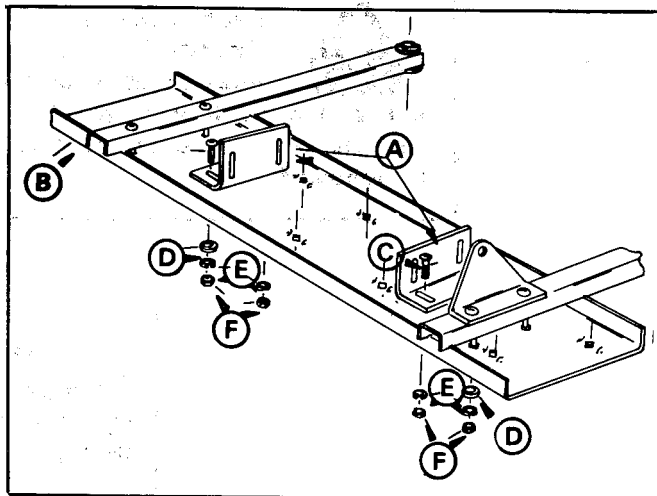
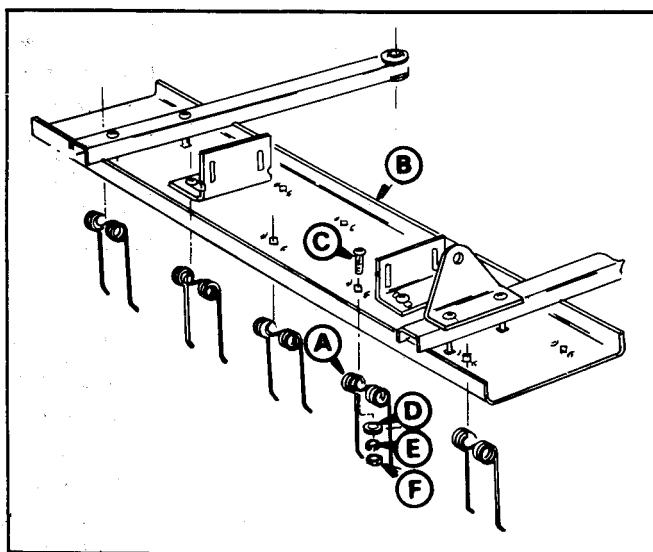


FIGURE 2.

- A. Tray Brackets
- B. Tine Tray
- C. Carriage Bolts, $\frac{5}{16}$ " x 1"
- D. Thick Flat Washers
- E. Lock Washers
- F. Hex Nuts

FIG. 3. Attach the thatching tines (A) to the tine tray (B), using the $\frac{5}{16}$ " x 1" carriage bolts (C), thick flat washers (D), lock washers (E), and hex nut (F). Attach two tines to tray bracket bolts as shown. **IMPORTANT:** Make sure the loop between the tine coils nests inside the projections on the tine tray.



- A. Thatching Tines
- B. Tine Tray
- C. Thick Flat Washers
- D. Hex Nut
- E. Lock Washers
- F. Hex Nuts

FIG. 4. Insert the safety rods through the coils of the tines (A) as shown. Secure with large washers (B) and ¼" hex lock nuts (C). Do not overtighten nuts. Rods must be free to move slightly from side to side.

WARNING: Failure to install safety rods can result in personal injury if a tine should disengage from the tine tray.

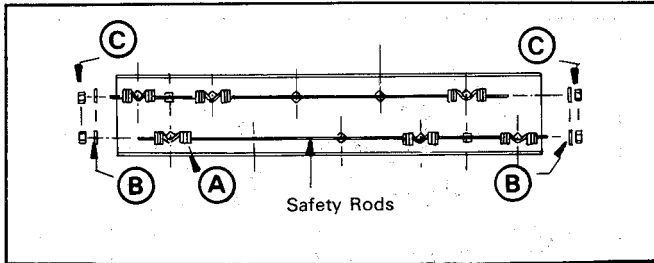


FIGURE 4.

- A. Tines
- B. Large Washers
- C. ¼" Hex Nuts

FIG. 5. Mount the main frame (A) to the inside of the tray bracket (B). Secure with four 5/16" x 1" carriage bolts (C), lock washers (D), and hex nuts (E). Tighten all bolts securely.

NOTE:

It may be necessary to adjust the tray brackets from side to side to match the width of the main frame.

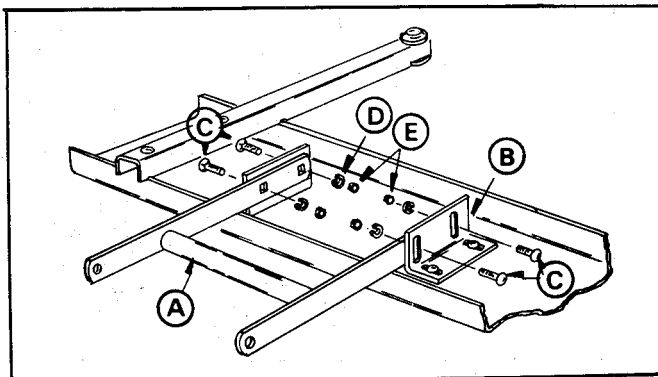


FIGURE 5.

- A. Main Frame
- B. Tray Bracket
- C. Carriage Bolts 5/16"
- D. Lock Washers
- E. Hex Nuts

FIG. 6. Assemble the two gauge wheels (A) onto axles (B) as shown, using a ½" flat washer (C) on both sides of the wheel. Then drive a push nut (D) over each axle end.

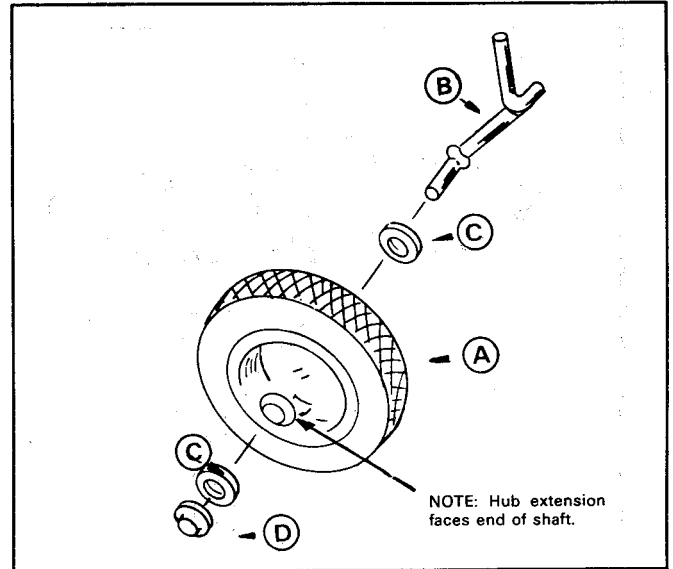


FIGURE 6.

- A. Gauge Wheel
- B. Axle
- C. Flat Washer ½"
- D. Push Nut

FIG. 7. Insert set screws (A) into both lock collars (B). Assemble locking collar and two nylon bearings (C) inside each wheel support (D), as shown. Slide axle and gauge wheel assembly (E) through bearings and locking collar. Tighten set screw.

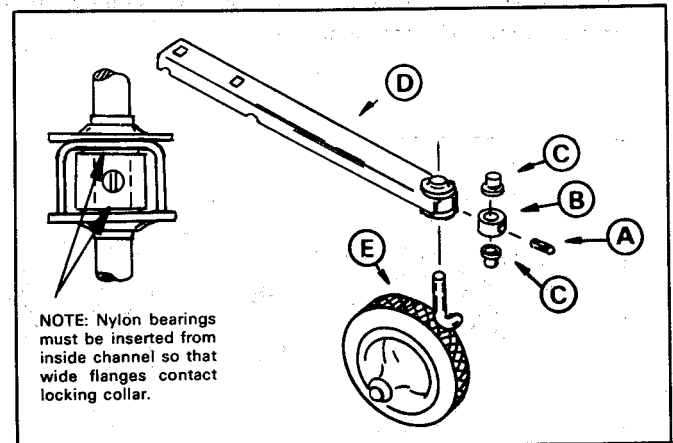


FIGURE 7.

- A. Set Screws
- B. Lock Collars
- C. Nylon Bearings
- D. Wheel Support
- E. Gauge Wheel Assembly

FIG. 8. Attach strap (A) to lift handle support bracket (B) using two 5/16" x 1" carriage bolts (C) and lock washers (D), and four hex nuts (E) as shown. Tighten securely.

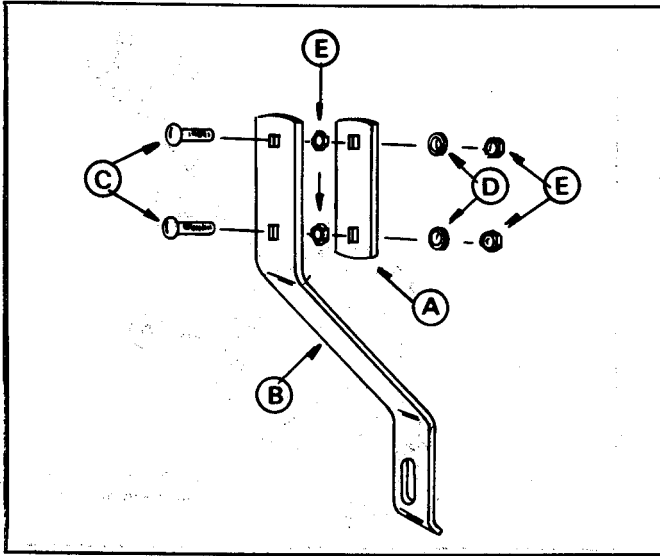


FIGURE 8.

- A. Strap
- B. Handle Support Bracket
- C. Carriage Bolts 5/16" x 1"
- D. Lock Washers
- E. Hex Nuts

FIG. 9. Insert 5/16" x 1" hex bolt (A) through the forward-most hole in the right side of the tractor frame from the inside out, through lift handle support bracket assembly. Secure with plain washer (B), lock washer (C) and hex nut (D). Be sure tab on lift handle support bracket is up against the tractor frame. Tighten securely.

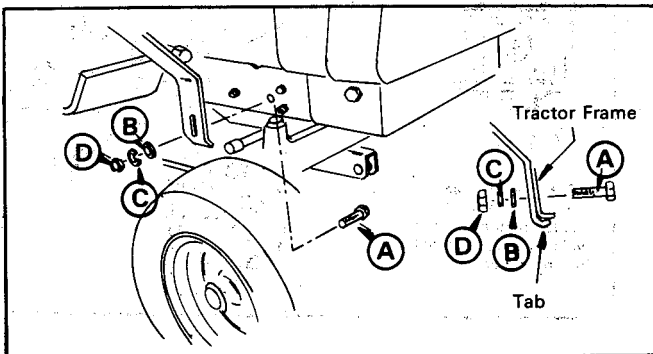


FIGURE 9.

- A. Hex Bolt 5/16" x 1"
- B. Plain Washer
- C. Lock Washer
- D. Hex Nut

Mounting

FIG. 10. Turn tractor wheels to the right and align the main frame (A) with the tabs located on the front of the tractor axle (B) and slide the pivot rod (C) through the holes in the main frame and axle. Secure in place with two hair pin cotters (D).

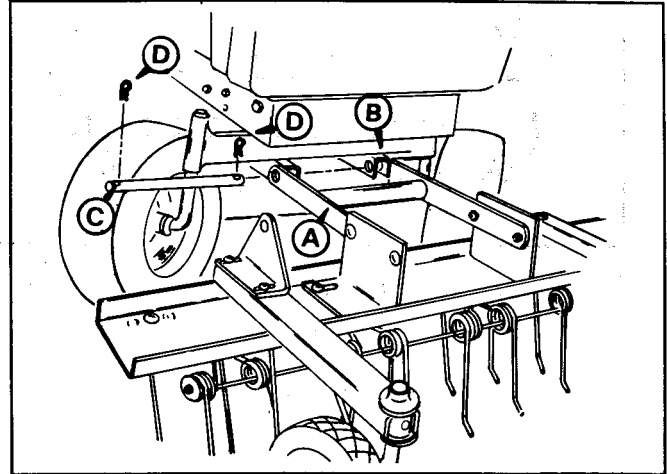


FIGURE 10.

- A. Main frame
- B. Tractor Axle
- C. Pivot Rod
- D. Hair Pin Cotters

FIG. 11. Slide the lift handle (A) through the slot in the lift handle support bracket with locking notch downward. Attach the lift handle to lift bracket (B) using the 5/16" pin (C), three plain washers (D), and a hair pin collar (E). Adjust lift bracket (B), if necessary, to assure lift handle will not bind in support bracket. Slide handle grip (F) over handle.

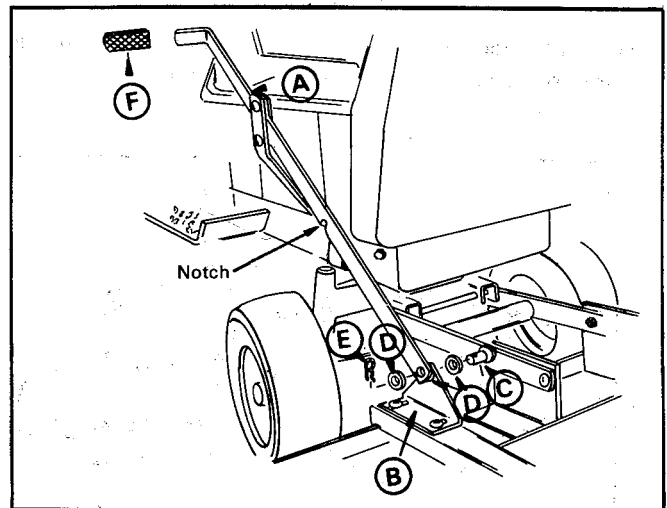


FIGURE 11.

- A. Lift Handle
- B. Lift Bracket
- C. Pin, 5/16"
- D. Plain Washers
- E. Hair Pin Collar
- F. Handle Grip

Adjustment

NOTE:

For most lawns, adjust the thatcher as follows:

1. Select a smooth flat surface such as a driveway, sidewalk, garage floor, etc. Attach the thatcher to the tractor according to the mounting instructions. Be sure both gauge wheels are directly under the wheel supports.
2. Loosen the four nuts on the sides of the "L" shaped tray mounting brackets, and the gauge wheel set screws. Adjust the tine tray to place the tine tips approximately $\frac{1}{2}$ " above the flat surface when in free position and to touch the flat surface when pushed back.
3. Tighten all lock nuts and gauge wheel set screws.

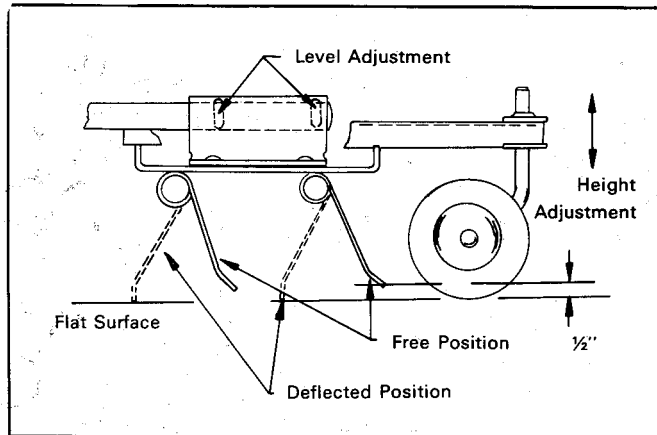


FIGURE 12.

Operation:

Tine action – Grass should be less than 3" tall for proper tine action. When in use, all tines on the thatcher should deflect back (independently) and "flip" the thatch forward, as shown in fig. 13. If the tines seem to drag without flipping forward, the tine tray is too low and should be raised. If all the tines stay in the free position, the tray should be lowered. Make adjustments as necessary, up or down, by no more than $\frac{1}{4}$ " each time until proper results are achieved. See ADJUSTMENT instructions.

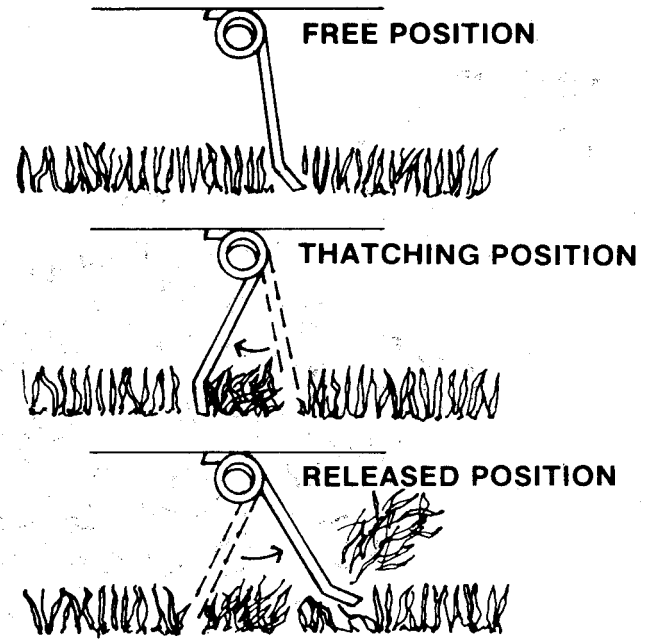


FIGURE 13.

When To Use

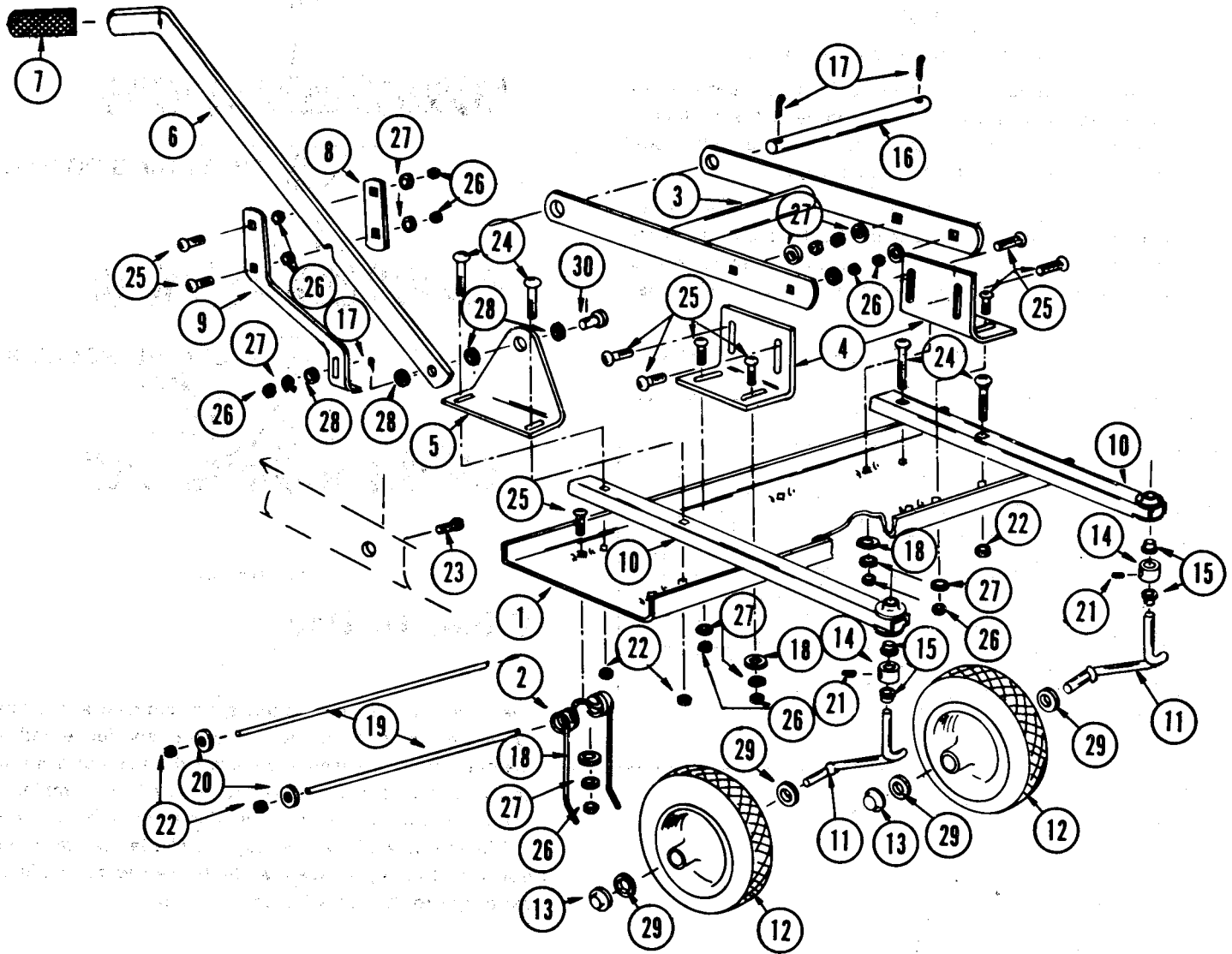
Every lawn is different, so there are no set rules about when to use the thatcher. Some lawns are very dense and the thatcher should be used about every third or fourth cutting. Lawns that are less dense would require less thatching. In general you want to leave a very thin layer of thatch (about $\frac{1}{8}$ ") in your lawn. This is enough to shade the grass roots from direct sunlight, yet allow plenty of air, water and fertilizer to get to the roots for nourishment.

Maintenance

The thatcher is maintenance free. However, as with any steel product, it can rust. For rust on the tines, apply a light coat of oil. For rust on the tray or mounting brackets, just sand lightly and coat with enamel. Always store the thatcher in a dry area.

Parts List

Parts Available through your local
Lawn and Garden Dealers or Brinly-
Hardy Company.



REF. NO.	PART NO.	DESCRIPTION
1	R-755	Tray
2	R-653	Tine Thatching
3	R-764	Main Frame
4	R-721	Bracket (tray mtg.)
5	R-761	Bracket (lift)
6	R-768	Lift Handle
7	B-1565	Handle Grip
8	R-775	Strap
9	R-769	Handle Support
10	R-705	Wheel Support
11	R-637	Axle
12	C-123	Wheel Gauge
13	R-636	Push Nut
14	R-635	Locking Collar
15	R-704	Bearing
16	R-767	Pivot Rod
17	B-983	Hair Pin Cotter
18	R-618	Washer Reinforcing
19	R-756	Rod-Safety
20	R-774	Washer Tine Rod
21	R-640	Set Screw
22	B-1673P	Hex Lock Nut 1/4"
23	1M1016P	Hex Bit. 5/16 x 1"
24	10M0840P	Carr. Bit. 1/4 x 2 1/2"
25	11M1016P	Carr. Bit. 5/16 x 1"
26	30M1000P	Hex Nut 5/16"
27	40M1000P	Lock Washer 5/16"
28	45M1111P	Plain Washer 5/16"
29	45M1717P	Plain Washer 1/2"
30	R-746	Pin Lift

This product is manufactured specifically for Simplicity Manufacturing Company, by Brinly-Hardy Company.

Parts, service and warranty are handled directly by the Brinly-Hardy Company. Order parts through most any Lawn and Garden dealer or contact the Brinly-Hardy Company, P.O. Box 1116, Louisville, KY – Phone: (502) 585-3351.

LIMITED WARRANTY

We warrant each Brinly Product sold by us to be free from manufacturing defects in normal service for a period of one (1) year (90 days for commercial or rental application) commencing with the delivery to the original retail user.

Our obligation under this warranty is expressly limited, at our option, to the replacement or repair at Brinly-Hardy Company, (340 E. Main Street, Louisville, Ky. 40202) of such part or parts as inspection shall disclose to have been defective. This warranty does not apply to defects caused by damage or unreasonable use (including failure to provide reasonable and necessary maintenance) while in the possession of the consumer.

WE SHALL NOT BE LIABLE FOR CONSEQUENTIAL DAMAGES OF ANY KIND, including but not limited to consequential labor costs or transportation charges in connection with the replacement or repair of defective parts.

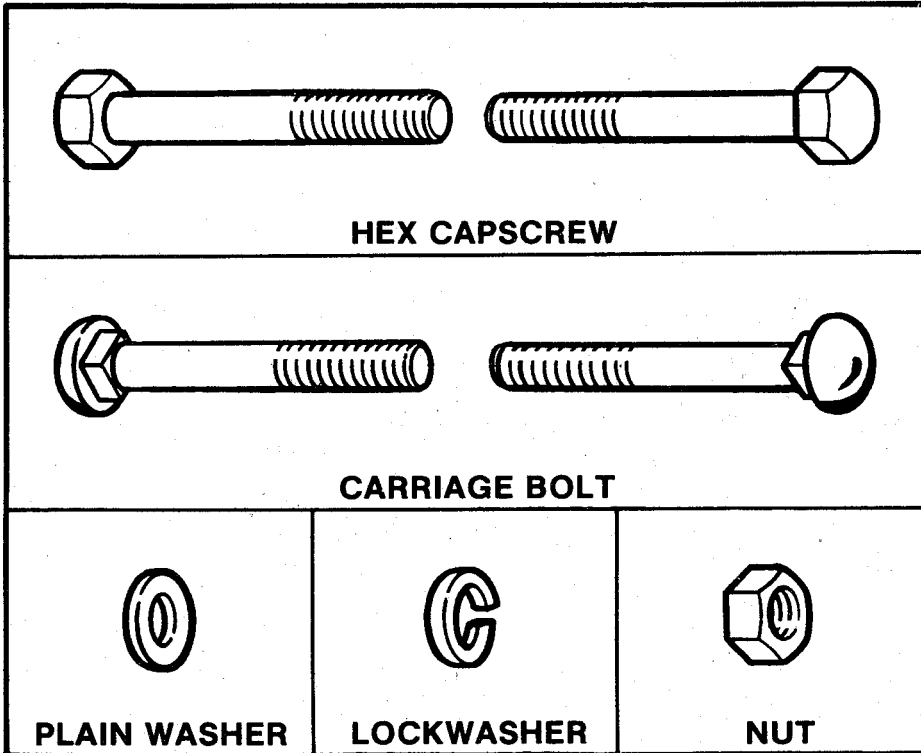
ANY IMPLIED OR STATUTORY WARRANTIES, INCLUDING ANY WARRANTY OF MERCHANTABILITY OR FITNESS FOR A PARTICULAR PURPOSE, ARE EXPRESSLY LIMITED TO THE DURATION OF THIS WRITTEN WARRANTY. We make no other express warranty, nor is anyone authorized to make any in our behalf.

For parts and service, see your local dealer. Use part NAME and NUMBER when ordering.

BRINLY-HARDY COMPANY, INC.,

P.O. Box 1116, Louisville, Ky. 40201

STANDARD FASTENER IDENTIFICATION CHART



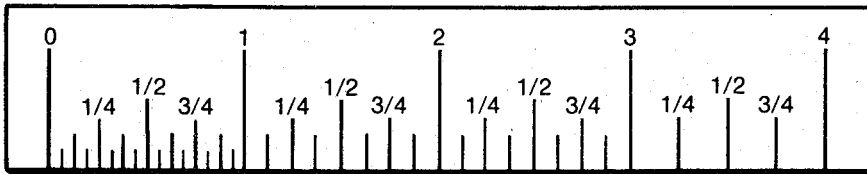
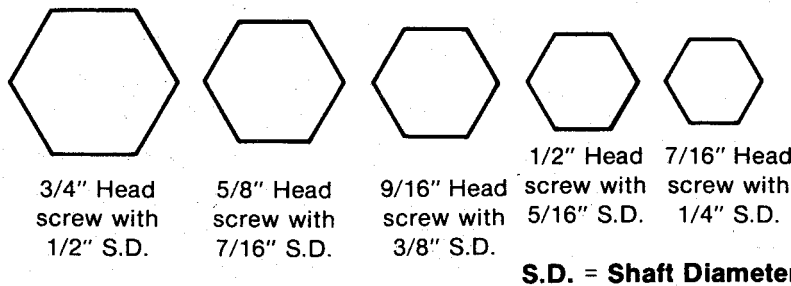
Hardware sizes are given in the illustrations throughout this manual.

If a washer or nut is identified as "washer, 1/2" or "nut, 1/2", this means the inside diameter is 1/2 inch.

If a screw is identified as "screw, 1/2 x 2", this means the shaft diameter is 1/2 inch and the shaft of the screw is 2 inches long. If a screw is identified as "screw, 1/2-16 x 2", the number "16" means that the screw has 16 threads per inch.

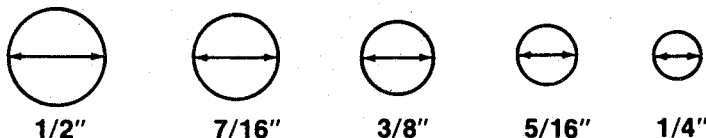
HEX CAPSCREW IDENTIFICATION

Shown below are actual size hex heads for standard screw sizes. Example: a 1/4" screw has a 7/16" head and thus requires a 7/16" wrench. To measure length, use the scale below.

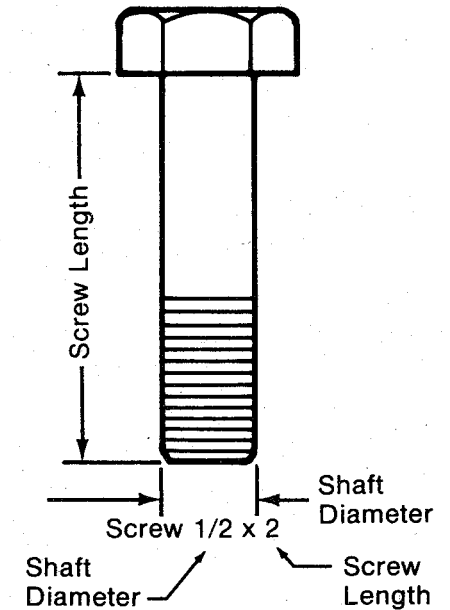


WASHER AND NUT IDENTIFICATION

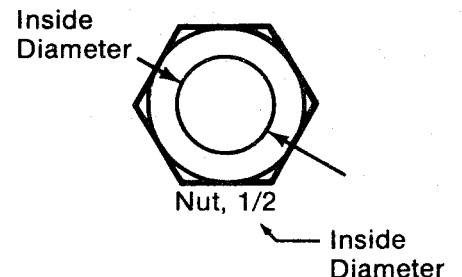
Place the washer or nut on circles below to determine inside diameter.



SAMPLE: SCREW IDENTIFICATION



SAMPLE: NUT IDENTIFICATION



Free Manuals Download Website

<http://myh66.com>

<http://usermanuals.us>

<http://www.somanuals.com>

<http://www.4manuals.cc>

<http://www.manual-lib.com>

<http://www.404manual.com>

<http://www.luxmanual.com>

<http://aubethermostatmanual.com>

Golf course search by state

<http://golfingnear.com>

Email search by domain

<http://emailbydomain.com>

Auto manuals search

<http://auto.somanuals.com>

TV manuals search

<http://tv.somanuals.com>