

## Baron XL

### Series Lawn Tractors & Mower Decks

#### 18HP Product

**Mfg. No. Description**

2690622 Baron XL, 18HP and 40" Mower Deck (CE/Export)

#### 20HP Product

**Mfg. No. Description**

2690621 Baron XL, 20HP and 40" Mower Deck (CE/Export)

2690625 2420 XL, 20HP and 40" Mower Deck (CE/Export)

#### 21HP Product

**Mfg. No. Description**

2690762 Baron, 21HP and 40" Mower Deck (CE/Export)

2690772 2421, 21HP and 40" Mower Deck (CE/Export)

#### Mower Decks

**Mfg. No. Description**

1695200 40" Mower Deck (CE/Export)

1695201 40" Mower Deck (CE/Export)

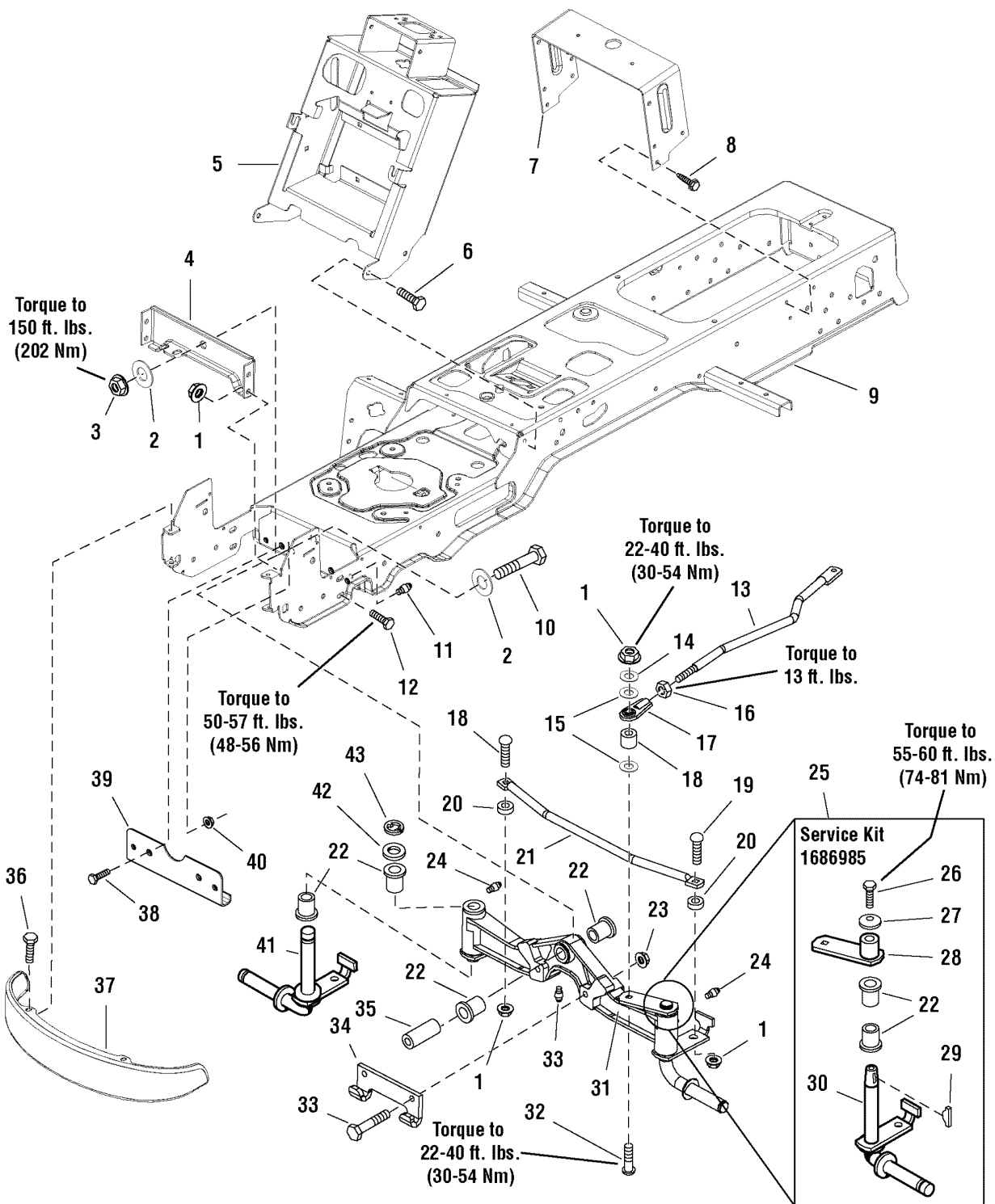


<b>PRODUCT COMPONENTS</b>	<b>PAGES</b>
Frame & Front Axle Group .....	4
Steering Group .....	6
Engine & Electric Clutch Group - 21HP Briggs & Stratton, Vanguard .....	8
Engine Group - 18HP & 20HP Briggs & Stratton, VANGUARD Twin .....	10
Engine Group - 18HP Briggs & Stratton, INTEK Single .....	12
Transmission Group - Tuff Torq K-46BF .....	14
Controls Group .....	18
Cruise Control Group .....	22
Electrical Group .....	24
Hood, Grille & Dash Group .....	28
Seat Deck & Fuel Tank Group .....	30
Hopper Group .....	32
Hopper Group .....	36
Wheels & Tires Group .....	40
Decals Group - Brand & Model .....	42
Decals Group - Safety & Common .....	44
40" Mower Deck - Belt, Idle Arm & Hitch .....	46
40" Mower Deck - Height Adjustment & Roller Bar .....	48
40" Mower Deck - Housing, Arbors & Blade .....	52
<b>Torque Specification Chart .....</b>	<b>Inside Back Cover</b>

# Frame & Front Axle Group

986818

**NOTE:** Unless noted otherwise, use the standard hardware torque specification chart.



The above parts group applies to the following Mfg. Nos.:

- 2690621 - Baron XL
- 2690622 - Baron XL
- 2690625 - 2420 XL
- 2690762 - Baron
- 2690772 - 2421

## Frame & Front Axle Group

REF NO	PART NO.	QTY.	DESCRIPTION
1	1930645SM	7	NUT, Hex Flange Lock, 3/8-16
2	1960035SM	2	WASHER
3	2860646SM	1	NUT, Hex Flange, 5/8-11
4	1722212ASM	1	PLATE, Axle
5	1724081ASM	1	TOWER & SUPPORT ASSEMBLY
6	1923683SM	4	CAPSCREW, Hex Head Taptite, 3/8-16 x 3/4
7	1723528ASM	1	SUPPORT
8	1664847SM	4	CAPSCREW, Hex Head Taptite, 5/16-18 x 3/4
9	1727396A	1	FRAME ASSEMBLY
10	2860645SM	1	CAPSCREW, 5/8-11 x 3-1/2
11	1704314SM	2	FITTING, Grease for Wear Plate, 1/4-20, with Ball
12	1933260SM	4	CAPSCREW, Hex Head, Flange Lock, 3/8-16 x 3/4
13	1722541SM	1	LINK, Drag
14	1922755SM	1	WASHER
15	1960103SM	2	WASHER
16	1919262SM	1	NUT, Hex Jam, 1/2-20
17	1702779SM	1	JOINT, Ball
18	1708236SM	1	SPACER
19	1931350SM	2	CARRIAGE BOLT, 3/8-16 x 1
20	1611705SM	2	SPACER
21	1722626ASM	1	ROD, Tie
22	1721682SM	6	BUSHING
23	1930650SM	2	NUT, Hex Flange Lock, 7/16-14
24	2821133SM	3	FITTING, Lube
25	1686985SM	1	SPINDLE REPLACEMENT KIT, LH (Includes Ref. Nos. 22, 26, 27, 28, 29 & 30)
26	2823485SM	1	CAPSCREW, 3/8-16 x 7/8, GR8
27	1663151SM	1	WASHER, Spring, 3/8
28	1725112SM	1	HUB & ARM ASSEMBLY
29	2830671SM	1	KEY, Woodruff
30	1724264SM	1	SPINDLE, LH
31	1722200ASM	1	AXLE ASSEMBLY, w/ LH Spindle, Complete (Includes Ref. Nos. 22, 24, 41, 42 & 43)
32	1931352SM	1	CARRIAGE BOLT, 3/8-16 x 1-1/2
33	1927531SM	2	CAPSCREW, Hex Head, 7/16-14 x 2, GR8
34	1721918ASM	1	HOOK, "J"
35	1721752SM	1	SPACER
36	1960086SM	4	SCREW, Torx Head, 5/16-18 x 7/8
37	1721805ASM	1	BUMPER, Black, Steel, Standard
37	1723502SM	1	BUMPER, Chrome, Optional
38	1930591SM	2	CAPSCREW, Hex Whiz Lock, 5/16-18 x 3/4
39	1724801ASM	1	PLATE, Axle Wear
40	1931277SM	2	NUT, Hex Falnge Whiz Lock, 5/16-18
41	1722199SM	1	SPINDLE, RH
42	1919394SM	1	WASHER
43	2832577SM	1	RETAINING RING

### Footnotes

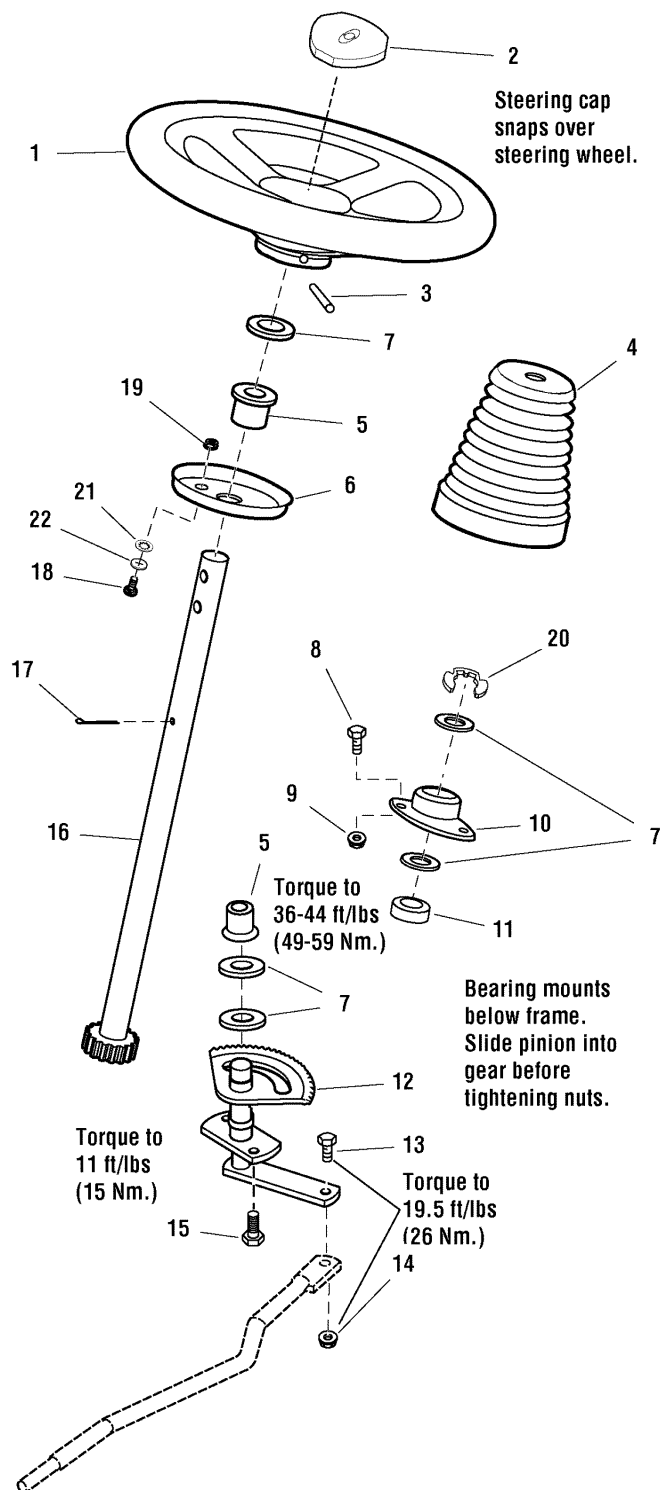
#### The above parts group applies to the following Mfg. Nos.:

2690621 - Baron XL  
 2690622 - Baron XL  
 2690625 - 2420 XL  
 2690762 - Baron  
 2690772 - 2421

## Steering Group

986091

**NOTE:** Unless noted otherwise, use the standard hardware torque specification chart.



**The above parts group applies to the following Mfg. Nos.:**

2690621 - Baron XL  
 2690622 - Baron XL  
 2690625 - 2420 XL  
 2690762 - Baron  
 2690772 - 2421

## Steering Group

REF NO	PART NO.	QTY.	DESCRIPTION
1	1722318SM	1	STEERING WHEEL, Straight Shaft
2	1722319SM	1	CAP, Steering Wheel, Simplicity Logo
2	1725024SM	1	CAP, Steering Wheel, Plain
3	1960540SM	1	PIN, Spring
4	1722749SM	1	COVER, Black Rubber
5	2176440SM	2	BUSHING
6	1721736ASM	1	PLATE, Mounting Steering
7	1960114SM	5	WASHER
8	1933260SM	2	CAPSCREW, Hex Head Flange Lock, 3/8-16 x 3/4
9	1931211SM	2	NUT, Hex Whiz Lock, 3/8-16
10	1722459SM	1	BEARING, Flange
11	1722461SM	1	SPACER
12	1724470ASM	1	GEAR & SHAFT ASSEMBLY
13	1960032SM	1	CAPSCREW, Hex Head, 3/8-16 x 1-1/4
14	1930645SM	1	NUT, Hex Flange Lock, 3/8-16
15	1664847SM	2	CAPSCREW, Hex Head Taptite, 5/16-18 x 3/4
16	1723604SM	1	SHAFT ASSEMBLY
17	1919314SM	1	PIN, Cotter
18	1931317SM	2	CARRIAGE BOLT, 1/4-20 x 3/4
19	2828372SM	2	NUT, Hex, 1/4-20
20	1611710SM	1	RING, Clipping Extension
21	1960114SM	2	WASHER
22	1933988SM	2	NUT, Push, 5/16

## Footnotes

---

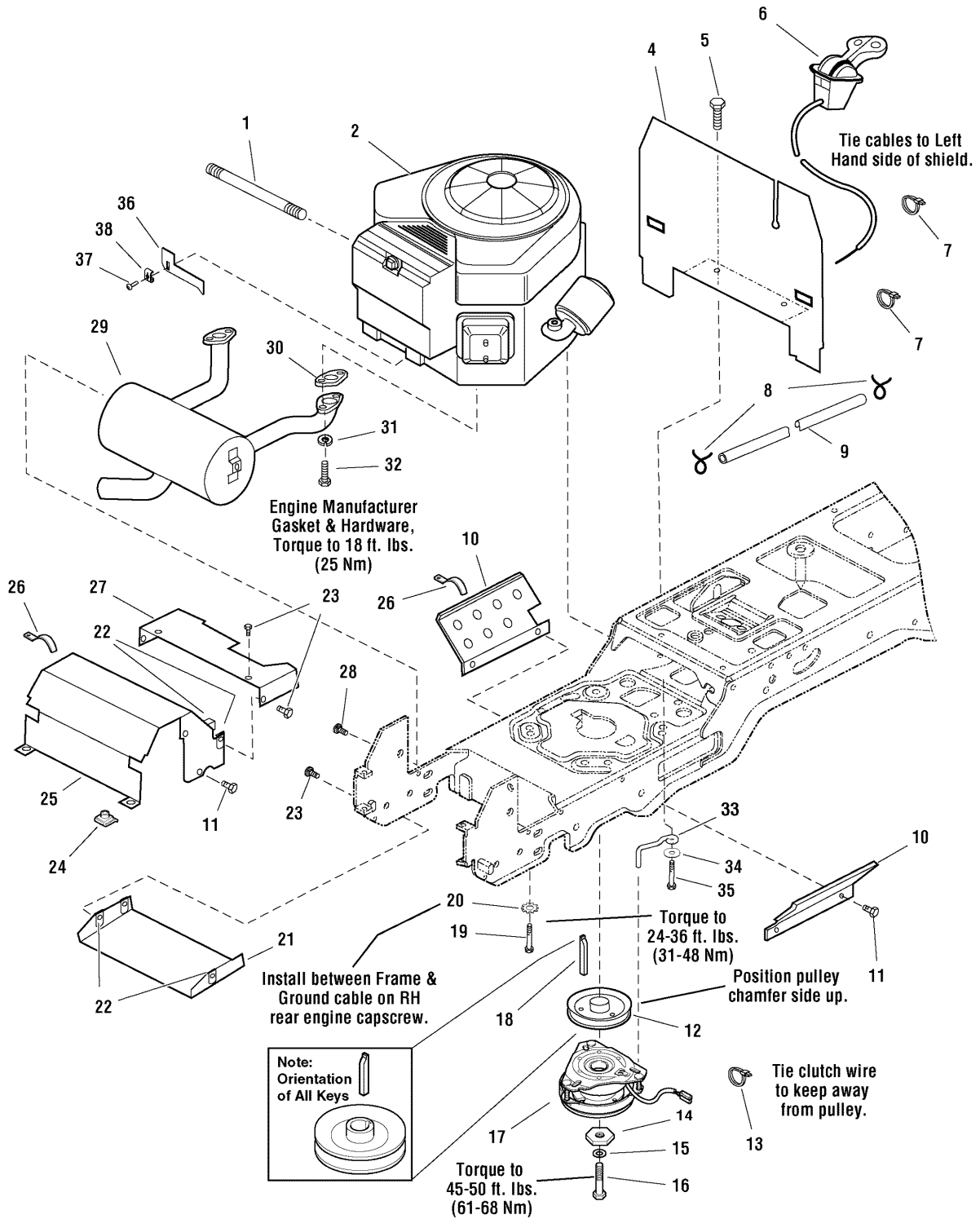
### The above parts group applies to the following Mfg. Nos.:

2690621 - Baron XL  
2690622 - Baron XL  
2690625 - 2420 XL  
2690762 - Baron  
2690772 - 2421

# Engine & Electric Clutch Group - 21HP Briggs & Stratton, Vanguard

2987912

**NOTE:** Unless noted otherwise,  
use the standard hardware torque  
specification chart.



**The above parts group applies to the following Mfg. Nos.:**

- 2690762 - Baron
- 2690772 - 2421



## Engine & Electric Clutch Group - 21HP Briggs & Stratton, Vanguard

REF NO	PART NO.	QTY.	DESCRIPTION
1	1723165SM	1	HOSE, Oil Drain, 10-1/2" Long, 3/8-18 Fittings
2	*	1	ENGINE, 21HP Briggs & Stratton Vanguard Twin, Model 385777, Type 0119-G1
4	1722388ASM	1	BULKHEAD
5	1925003SM	2	CAPSCREW, Hex Washer Head Taptite, 1/2-20 x 1/2, Black
6	1734506SM	1	CONTROL, Throttle Double 39" Long w/Knobs
7	2825094SM	2	TIE, Wire, 7-5/16" Long
8	*791850	2	CLAMP, Hose Type E
9	1734984SM	1	HOSE, Fuel, 59" Long
10	1722392ASM	2	SHIELD, Side
11	1927428SM	8	CAPSCREW, Hex Washer Head Taptite, 1/4-20 x 3/8
12	1722288SM	1	PULLEY & HUB ASSEMBLY
13	2832747SM	1	TIE, Self Locking, 3-5/8 Long
14	1708264SM	1	WASHER, Hex, 7/16, Black
15	1918199SM	1	LOCKWASHER, 7/16
16	1960648SM	1	CAPSCREW, Hex Head, 7/16-20 x 3-3/4
17	1686880SM	1	CLUTCH, Electric
18	1720463SM	1	KEY, HI PRO, 1/4 x 2 1/2
19	2830598SM	4	CAPSCREW, Hex Washer Head Taptite, 3/8-16 x 1-1/2
20	2820427SM	1	LOCKWASHER, External Tooth, 3/8
21	1722414ASM	1	SHIELD, Muffler Bottom
22	1960368SM	8	NUT, Speed, 1/4-20, Lug
23	1960295SM	4	CAPSCREW, Hex Flange Whiz Lock, 1/4-20 x 5/8
24	1935255SM	2	NUT, Speed, 5/16-18, Lug, Black
25	1722389ASM	1	DUCT, Muffler Top
26	2834683SM	2	CLIP, Wire 1/8
27	1722390ASM	1	DUCT, Muffler Extension
28	1924856SM	2	CAPSCREW, Hex Washer Head Taptite, 5/16-18 x 1/2, Black
29	1726920SM	1	MUFFLER, Briggs & Stratton, Vanguard Twin
30	*	1	GASKET, Briggs & Stratton, Vanguard Twin
31	*	4	LOCKWASHER, 5/16
32	*	4	CAPSCREW, Hex Flange Whiz Lock, 5/16-18 x 7/8
33	1732026SM	1	RETAINER, Clutch
34	1924940SM	1	WASHER, Flat 3/8
35	2827187SM	1	CAPSCREW, 3/8-16 x 1
36	1732396SM	1	PLATE, RMP Limiter
37	1728125SM	1	SCREW, Pan Head Torx
38	1728126SM	1	THROTTLE CABLE - Clamp

### Footnotes

Note\* See your local Briggs & Stratton distributor for parts and service.

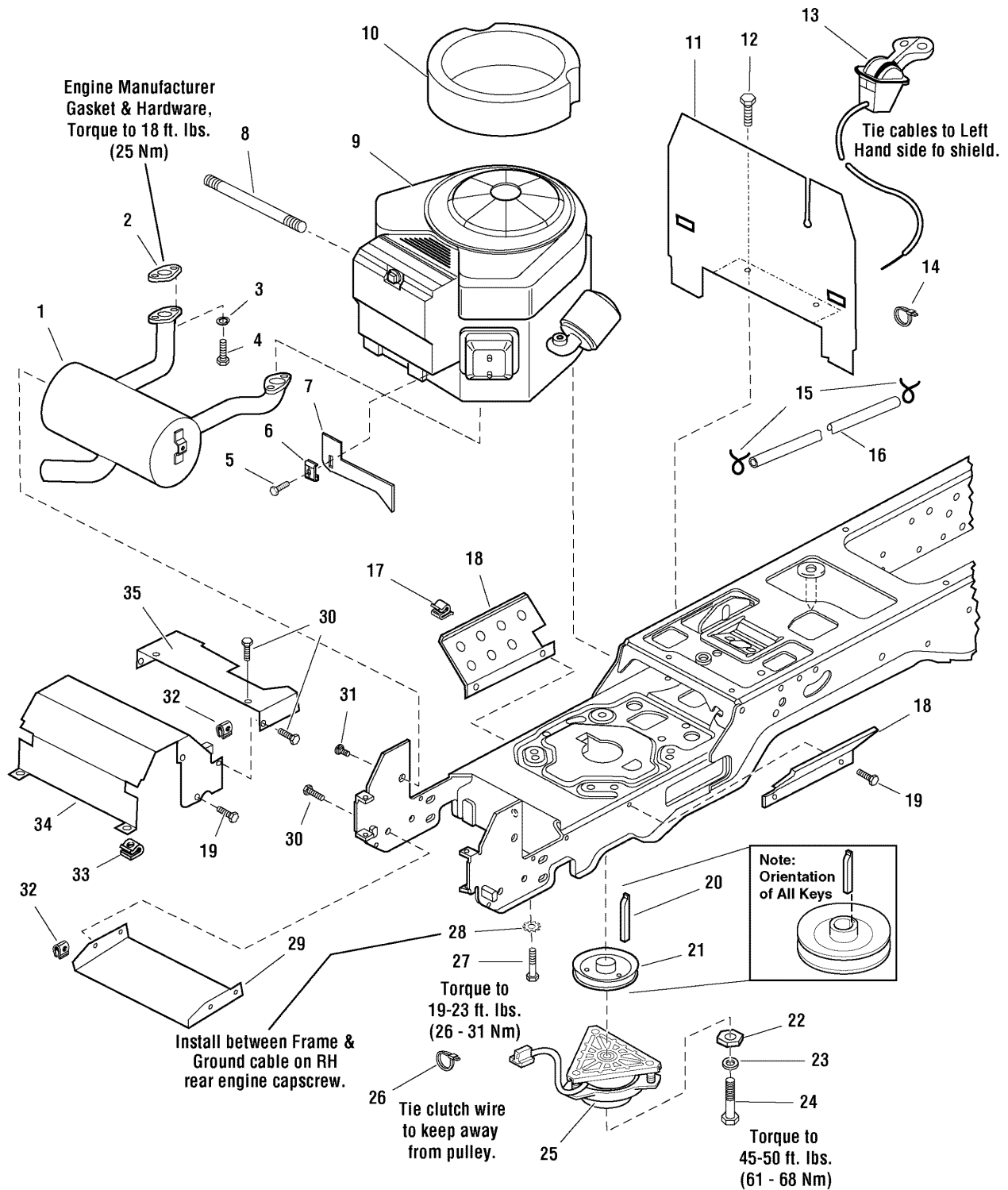
### The above parts group applies to the following Mfg. Nos.:

2690762 - Baron  
2690772 - 2421

# Engine Group - 18HP & 20HP Briggs & Stratton, VANGUARD Twin

986833

**NOTE:** Unless noted otherwise, use the standard hardware torque specification chart.



The above parts group applies to the following Mfg. Nos.:

- 2690621 - Baron XL
- 2690625 - 2420 XL

## Engine Group - 18HP & 20HP Briggs & Stratton, VANGUARD Twin

REF NO	PART NO.	QTY.	DESCRIPTION
1	1722625SM	1	MUFFLER
2	*	1	GASKET
3	1917356SM	2	LOCKWASHER, 5/16
4	2860660SM	2	CAPSCREW, Socket Head, 5/16-18 x 7/8, G8
5	1728125SM	1	SCREW, Pan Head Trox, #10-32 x 5/8
6	1728126SM	1	CLAMP, Throttle Cable
7	1727696SM	1	PLATE, Limiter RPM
8	1723165SM	1	HOSE, Oil Drain
9	*	1	ENGINE, 18HP Briggs & Stratton INTEK Twin, Model 356777, Type 0113E1
9	*	1	ENGINE, 20HP Briggs & Stratton INTEK Twin, Model 358777, Type 0110E1
10	1722949SM	1	SEAL, Circle
11	1722388ASM	1	BULKHEAD
12	1925003SM	2	CAPSCREW, Hex Head Taptite, 1/4-20 x 1/2
13	1727223SM	1	CONTROL, Throttle Double 39" Long w/Knobs
14	1701011SM	1	TIE
15	2860112SM	2	CLAMP, Hose Type E
16	1723165SM	1	HOSE, 59" Long
17	2834683SM	2	CLIP, Wire
18	1722392ASM	2	SHIELD
19	1929000SM	8	SCREW, Hex Head Taptite, 1/4-20 x 3/8
20	1720463SM	1	KEY
21	1722288SM	1	PULLEY & HUB ASSEMBLY, 4-1/2 OD
22	1708264SM	1	WASHER, Hex
23	1918199SM	1	LOCKWASHER, 7/16
24	1960648SM	1	CAPSCREW, Hex Head, 7/16-20 x 2-3/4
25	1720532SM	1	CLUTCH, Electric, OGURA
26	2832747SM	1	TIE
27	2830598SM	4	CAPSCREW, Hex Head Taptite, 3/8-16 x 1-1/2
28	2820427SM	1	LOCKWASHER, External Tooth, 3/8
29	1722414ASM	1	SHIELD, Muffler Bottom
30	1960295SM	8	CAPSCREW, Hex Head Flange Lock, 1/4-20 x 5/8
31	1924856SM	2	CAPSCREW, Hex Head Taptite, 5/16-18 x 1/2
32	1960368SM	8	NUT, Speed, 1/4-20
33	1935255SM	2	NUT, Speed, 5/16-18
34	1722389ASM	1	DUCT, Muffler Top
35	1722390ASM	1	DUCT, Muffler Extension

### Footnotes

Note\* See your local Briggs & Stratton distributor for parts and service.

---

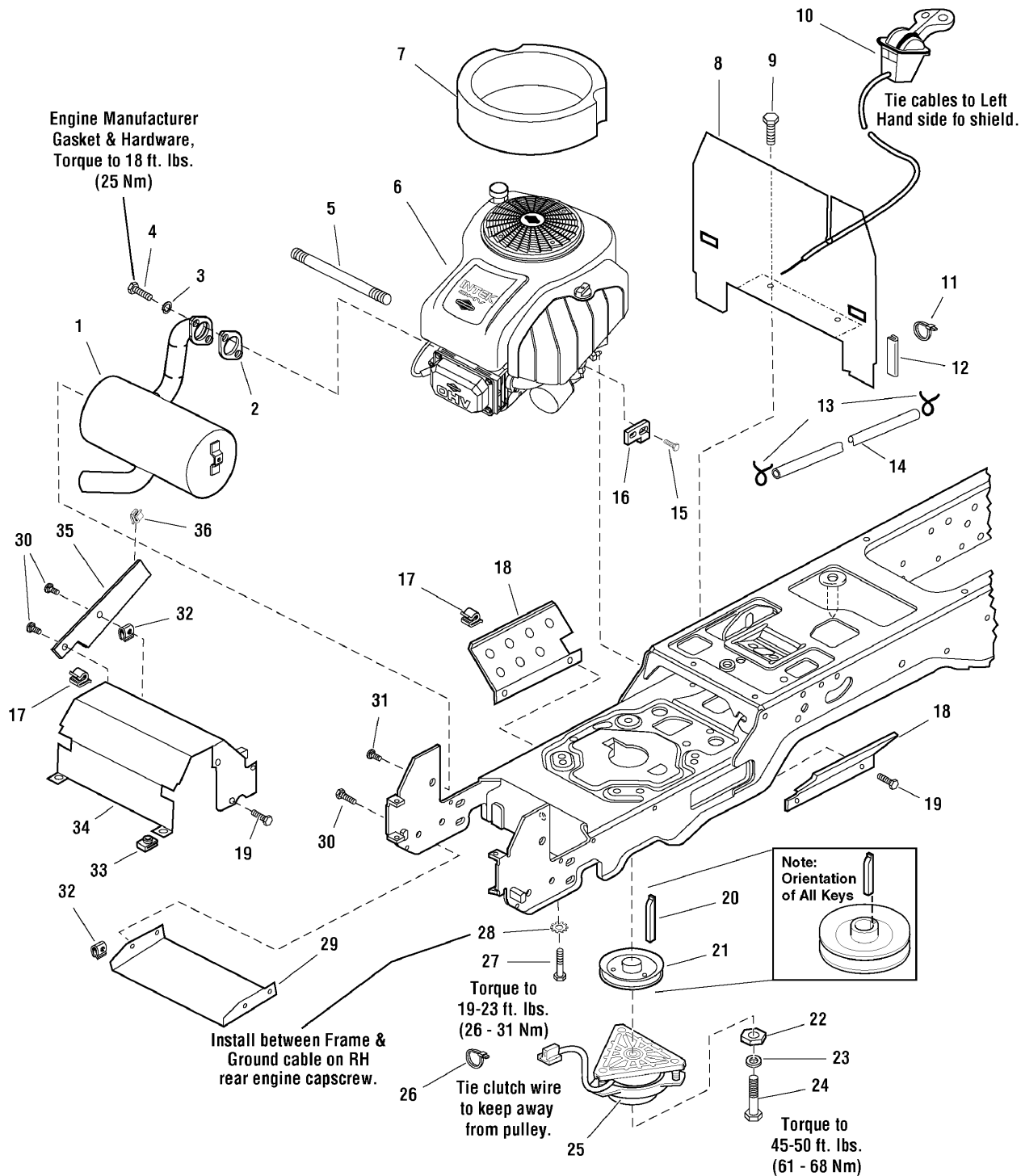
### The above parts group applies to the following Mfg. Nos.:

2690621 - Baron XL  
2690625 - 2420 XL

# Engine Group - 18HP Briggs & Stratton, INTEK Single

986722

**NOTE:** Unless noted otherwise, use the standard hardware torque specification chart.



The above parts group applies to the following Mfg. Nos.:

2690622 - Baron XL

## Engine Group - 18HP Briggs & Stratton, INTEK Single

REF NO	PART NO.	QTY.	DESCRIPTION
1	1723467SM	1	MUFFLER
2	*	2	GASKET
3	1917356SM	4	LOCKWASHER, 5/16
4	2860660SM	4	CAPSCREW, Socket Head, 5/16-18 x 7/8, G8
5	1723165SM	1	HOSE, Oil Drain
6	*	1	ENGINE, 18HP Briggs & Stratton INTEK Single, Model 31H777, Type 0118E1
7	1722950SM	1	SEAL, Circle
8	1722388ASM	1	BULKHEAD
9	1925003SM	2	CAPSCREW, Hex Head Taptite, 1/4-20 x 1/2
10	1724013SM	1	CONTROL, Throttle/Choke
11	1701011SM	1	TIE
12	1723894SM	1	EDGING, Rubber
13	2860112SM	2	CLAMP, Hose Type E
14	1718678SM	1	HOSE, 59" Long
15	1726466SM	1	SCREW, Trox Head Taptite, #8-32 x 1/2
16	1726465SM	1	PLATE, Limiter RPM
17	2834683SM	2	CLIP, Wire
18	1722392ASM	2	SHIELD
19	1929000SM	3	SCREW, Hex Head Taptite, 1/4-20 x 3/8
20	1720463SM	1	KEY
21	1722288SM	1	PULLEY & HUB ASSEMBLY, 4-1/2 OD
22	1708264SM	1	WASHER, Hex
23	1918199SM	1	LOCKWASHER, 7/16
24	1960648SM	1	CAPSCREW, Hex Head, 7/16-20 x 2-3/4
25	1720532SM	1	CLUTCH, Electric, OGURA
26	2832747SM	1	TIE
27	2830598SM	4	CAPSCREW, Hex Head Taptite, 3/8-16 x 1-1/2
28	2820427SM	1	LOCKWASHER, External Tooth, 3/8
29	1722414ASM	1	SHIELD, Muffler Bottom
30	1960295SM	6	CAPSCREW, Hex Head Flange Lock 1/4-20 x 5/8
31	1924856SM	2	CAPSCREW, Hex Head Taptite, 5/16-18 x 1/2
32	1960368SM	5	NUT, Speed, 1/4-20
33	1935255SM	2	NUT, Speed, 5/16-18
34	1722389ASM	1	DUCT, Muffler Top
35	1723897ASM	1	GUARD, Manifold Pipe
36	2172434SM	1	CLIP, Wire

### Footnotes

Note\* See your local Kohler distributor for parts and service.

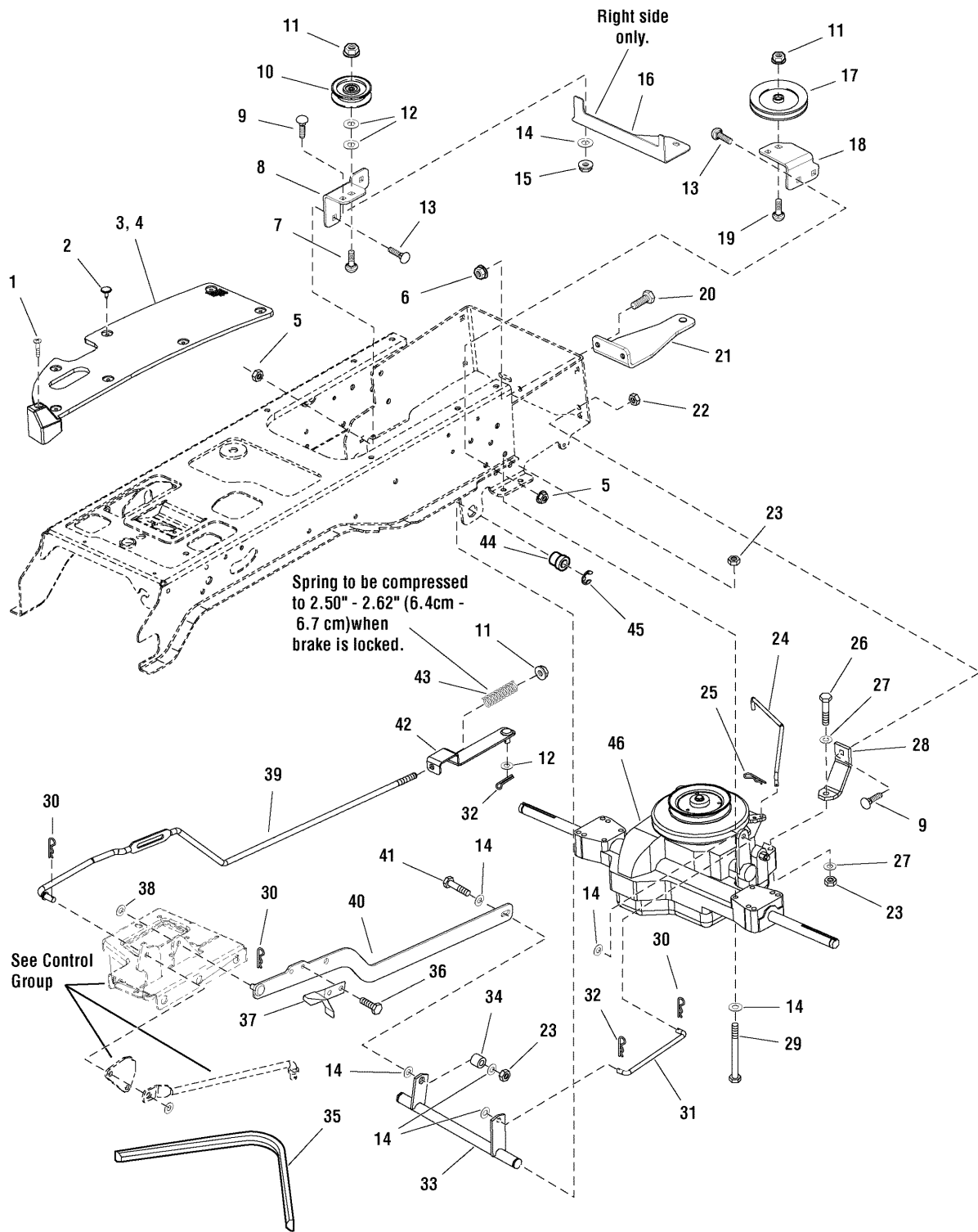
**The above parts group applies to the following Mfg. Nos.:**

2690622 - Baron XL

# Transmission Group - Tuff Torq K-46BF

986828

**NOTE:** Unless noted otherwise, use the standard hardware torque specification chart.



**The above parts group applies to the following Mfg. Nos.:**

- 2690621 - Baron XL
- 2690622 - Baron XL
- 2690625 - 2420 XL
- 2690762 - Baron
- 2690772 - 2421

## Transmission Group - Tuff Torq K-46BF

REF NO	PART NO.	QTY.	DESCRIPTION
1	1960676SM	2	SCREW, Pan Head Torx Taptite, 1/4-20 x 1-1/4
2	1704351SM	15	FASTENER, Panel 3/4 Head
3	1722173SM	1	PAD, Footrest, RH Black Vinyl Textured
4	1722174SM	1	PAD, Footrest with Differential Lock, LH Black Vinyl Textures
5	1960637SM	4	NUT, Hex KEPS, 3/8-16
6	1928352SM	2	NUT, Hex Flange, 3/8-16 Whiz Lock Large
7	1931353SM	1	CARRIAGE BOLT, 3/8-16 x 1-3/4 G5
8	1726052ASM	1	SUPPORT, Idler, RH
9	1931333SM	3	CARRIAGE BOLT, 5/16-18 x 3/4 G5
10	2174561SM	1	PULLEY, 3 in.
11	1960687SM	3	NUT, Hex Flange 3/8-16 ESNA
12	1922755SM	3	WASHER, 3/4
13	1931350SM	4	CARRIAGE BOLT, 3/8-16 x 1 G5
14	1919326SM	10	WASHER, 5/16
15	1960684SM	2	NUT, Hex KEPS, 5/16-18 Conical Washer
16	1727431A	1	BRACKET, Chute Locator
17	1710545SM	1	PULLEY, Idler, 4 in.
18	1726053A	1	SUPPORT, Idler, LH
19	1931352SM	1	CARRIAGE BOLT, 3/8-16 x 1-1/2 G5
20	1921210SM	2	CAPSCREW, Hex Head, 3/8-16X1.000 G5 BLK
21	1727400A	1	DRAWBAR, 1/4 in. Thick
22	1960636SM	1	NUT, Hex KEPS, 5/16-18
23	1919438SM	6	NUT, Hex Lock ESNA Light, 5/16-18NC-3B
24	1727526SM	1	ROD, Transmission Release
25	1960221SM	1	CLIP, Hair Pin Spring
26	1921978SM	1	CAPSCREW, Hex Head 5/16-18 x 2 G5
27	1960141SM	2	WASHER, 5/16
28	1726055A	1	STRAP, Torque, 1/4 Thick 4 in. Long
29	1923141SM	4	CAPSCREW, Hex Head, 5/16-18 x 2-3/4 G5
30	1722460SM	3	PIN, Quick
31	1723045SM	1	ROD, Control
32	1918447SM	2	PIN, Cotter
33	1727552SM	1	SHAFT & ARMS ASSEMBLY, Control
34	1666697SM	1	SPACER, Powered Metal
35	1727407SM	1	V-BELT, Drive Belt
36	1924856SM	2	CAPSCREW, Hex Washer Head Taptite, 5/16-18 x 1/2
37	1727215ASM	1	ACTUATOR, Switch
38	1924940SM	1	WASHER, 3/8
39	1726057SM	1	ROD, Brake
40	1727473SM	1	ARM & PIN ASSEMBLY, Speed Control
41	1921333SM	1	CAPSCREW, Hex Head, 5/16-18 x 1 G5
42	1723267SM	1	BRACKET & PIN ASSEMBLY, Brake
43	1729277SM	1	SPRING, Compression
44	2176440SM	2	BUSHING, Nylon

### Footnotes

---

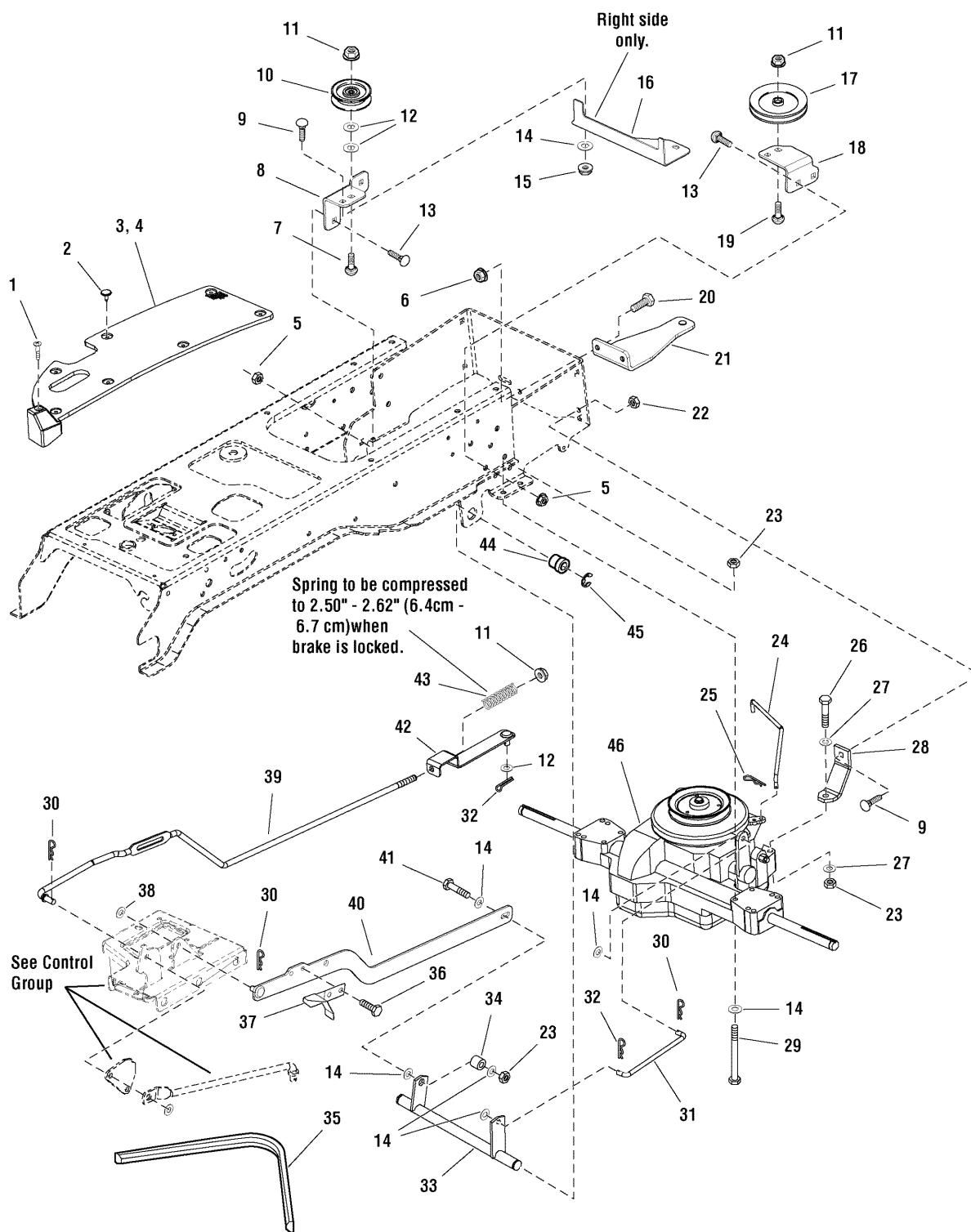
#### The above parts group applies to the following Mfg. Nos.:

2690621 - Baron XL  
2690622 - Baron XL  
2690625 - 2420 XL  
2690762 - Baron  
2690772 - 2421

# Transmission Group - Tuff Torq K-46BF

986828

NOTE: Unless noted otherwise, use the standard hardware torque specification chart.



The above parts group applies to the following Mfg. Nos.:

- 2690621 - Baron XL
- 2690622 - Baron XL
- 2690625 - 2420 XL
- 2690762 - Baron
- 2690772 - 2421



## **Transmission Group - Tuff Torq K-46BF**

---

<b>REF NO</b>	<b>PART NO.</b>	<b>QTY.</b>	<b>DESCRIPTION</b>
45	2827794SM	2	RING, E Retaining
46	1727712SM	1	TRANSMISSION ASSEMBLY, Tuff Torq K46BF

---

### **Footnotes**

---

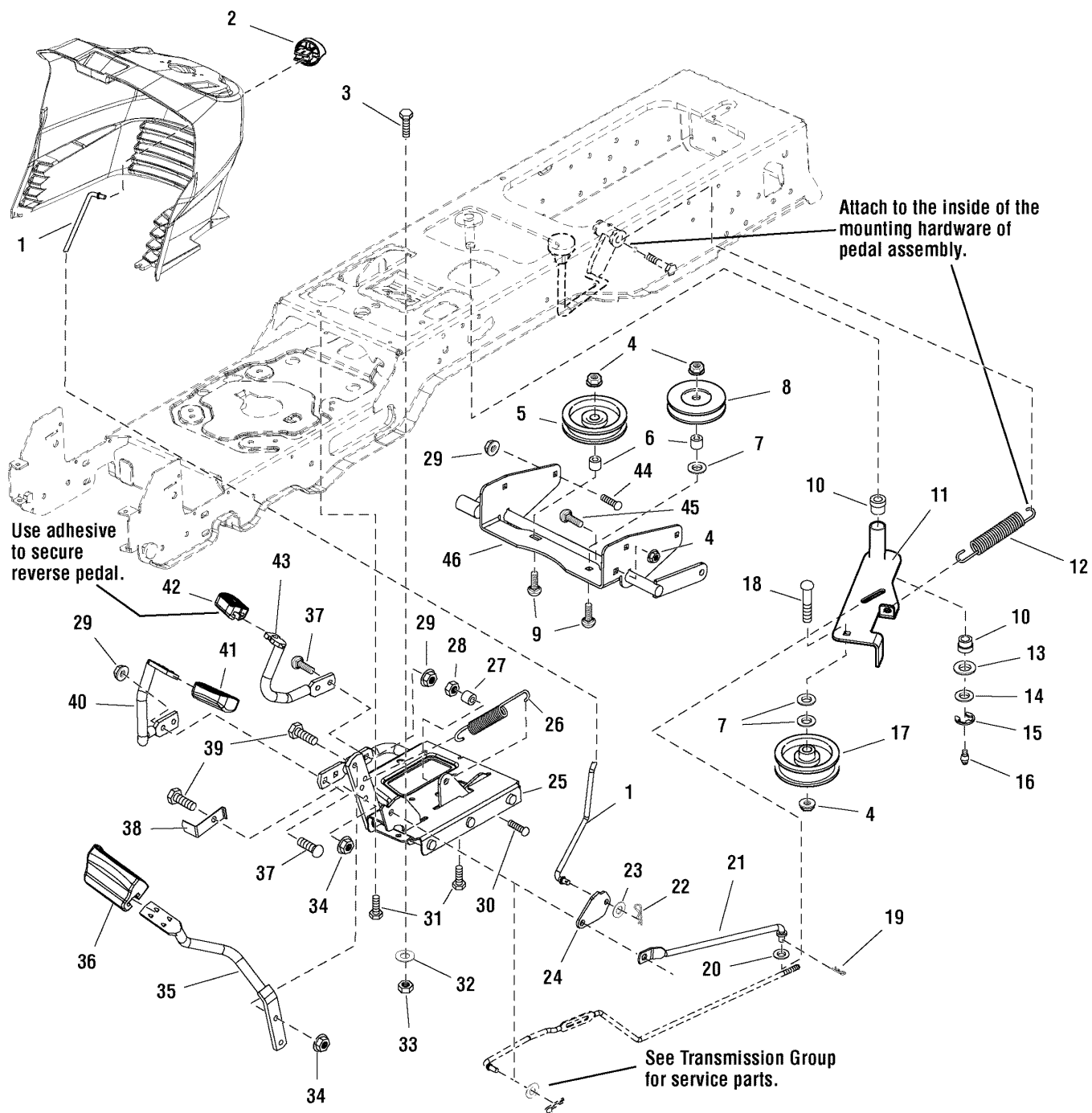
#### **The above parts group applies to the following Mfg. Nos.:**

2690621 - Baron XL  
2690622 - Baron XL  
2690625 - 2420 XL  
2690762 - Baron  
2690772 - 2421

## Controls Group

987595

**NOTE:** Unless noted otherwise,  
use the standard hardware torque  
specification chart.



**The above parts group applies to the following Mfg. Nos.:**

- 2690621 - Baron XL
- 2690622 - Baron XL
- 2690625 - 2420 XL
- 2690762 - Baron
- 2690772 - 2421

## Controls Group

REF NO	PART NO.	QTY.	DESCRIPTION
1	1721353SM	1	ROD, Brake
2	1721891SM	1	KNOB, Push On, Red
3	1930591SM	1	CAPSCREW, Hex Head Flange Lock, 5/16-18 x 3/4
4	1960687SM	3	NUT, Hex Flange, 3/8-16 ESNA
5	1721134SM	1	PULLEY ASSEMBLY, 3 OD, W/Bearing
6	1667811SM	2	SPACER
7	1922755SM	3	WASHER, 3/8
8	1710545SM	1	PULLEY, Idler 4 OD
9	1960315SM	2	CARRIAGE BOLT, 3/8-16 x 2 G5
10	1663114SM	2	BUSHING
11	1727370SM	1	ARM & HUB ASSEMBLY, Idler
12	1733844SM	1	SPRING, Extension
13	1960020SM	1	WASHER, 5/8
14	1924366SM	1	WASHER, 5/8
15	1704420SM	1	RING, Clipping
16	1704314SM	1	FITTING, Lube, 1/4 Ball Check
17	1710539SM	1	PULLEY, Idler 3-1/4 OD
18	1960315SM	1	CARRIAGE BOLT, 3/8-16 x 2 G5
19	1918447SM	1	PIN, Cotter
20	1924940SM	1	WASHER
21	1727408SM	1	ROD, Brake (Flat Ends)
22	1722460SM	1	PIN, Quick
23	1919326SM	1	WASHER
24	1721354ASM	1	LATCH, Brake
25	1726763SM	1	CONTROL ASSEMBLY, Foot Pedal
26	1721995SM	1	SPRING, Extension
27	1686612SM	1	CAM, Roller
28	1920397SM	1	NUT, Hex Lock ESNA, 1/4-20
29	1960636SM	8	NUT, Hex KEPS, 5/16-18
30	1931320SM	1	CARRIAGE BOLT, 1/4-20 x 1-1/4
31	1664847SM	3	CAPSCREW, Hex head Washer Taptite, 5/16-18 x 3/4
32	1919381SM	1	WASHER
33	1919438SM	1	NUT, Hex Lock ESNA, 5/16-18
34	1927557SM	3	NUT, Hex Flange Lock, 5/16-18
35	1722535ASM	1	PEDAL, Brake
36	1721577SM	1	PAD, Brake Pedal
37	1931334SM	4	CARRIAGE BOLT, 5/16-18 x 7/8
38	1722083ASM	1	ACTUATOR, Switch
39	1921333SM	3	CAPSCREW, Hex Head, 5/16-18 x 1
40	1722070ASM	1	PEDAL, Forward
41	1721675SM	1	PAD, Foot Pedal Forward
42	1721674SM	1	PAD, Foot Pedal Reverse
43	1722071ASM	1	PEDAL, Reverse
44	1931333SM	4	CARRIAGE BOLT, 5/16-18 x 3/4

## Footnotes

---

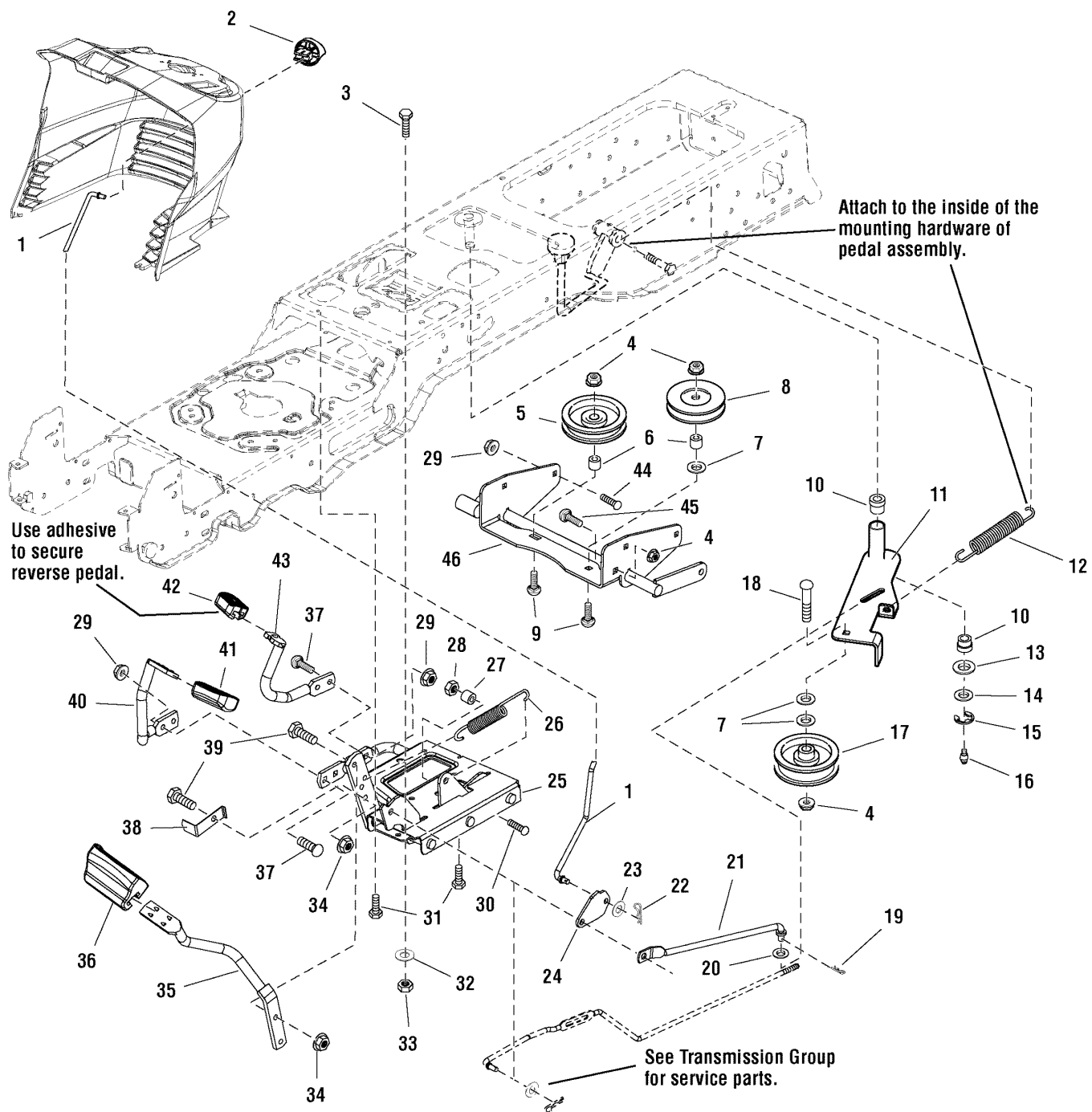
### The above parts group applies to the following Mfg. Nos.:

2690621 - Baron XL  
2690622 - Baron XL  
2690625 - 2420 XL  
2690762 - Baron  
2690772 - 2421

## Controls Group

987595

**NOTE:** Unless noted otherwise,  
use the standard hardware torque  
specification chart.



**The above parts group applies to the following Mfg. Nos.:**

- 2690621 - Baron XL
- 2690622 - Baron XL
- 2690625 - 2420 XL
- 2690762 - Baron
- 2690772 - 2421

## **Controls Group**

---

<b>REF NO</b>	<b>PART NO.</b>	<b>QTY.</b>	<b>DESCRIPTION</b>
45	1931348SM	1	CARRIAGE BOLT, 3/8-16 x 3/4
46	1726087ASM	1	SUPPORT, Idler

---

## **Footnotes**

---

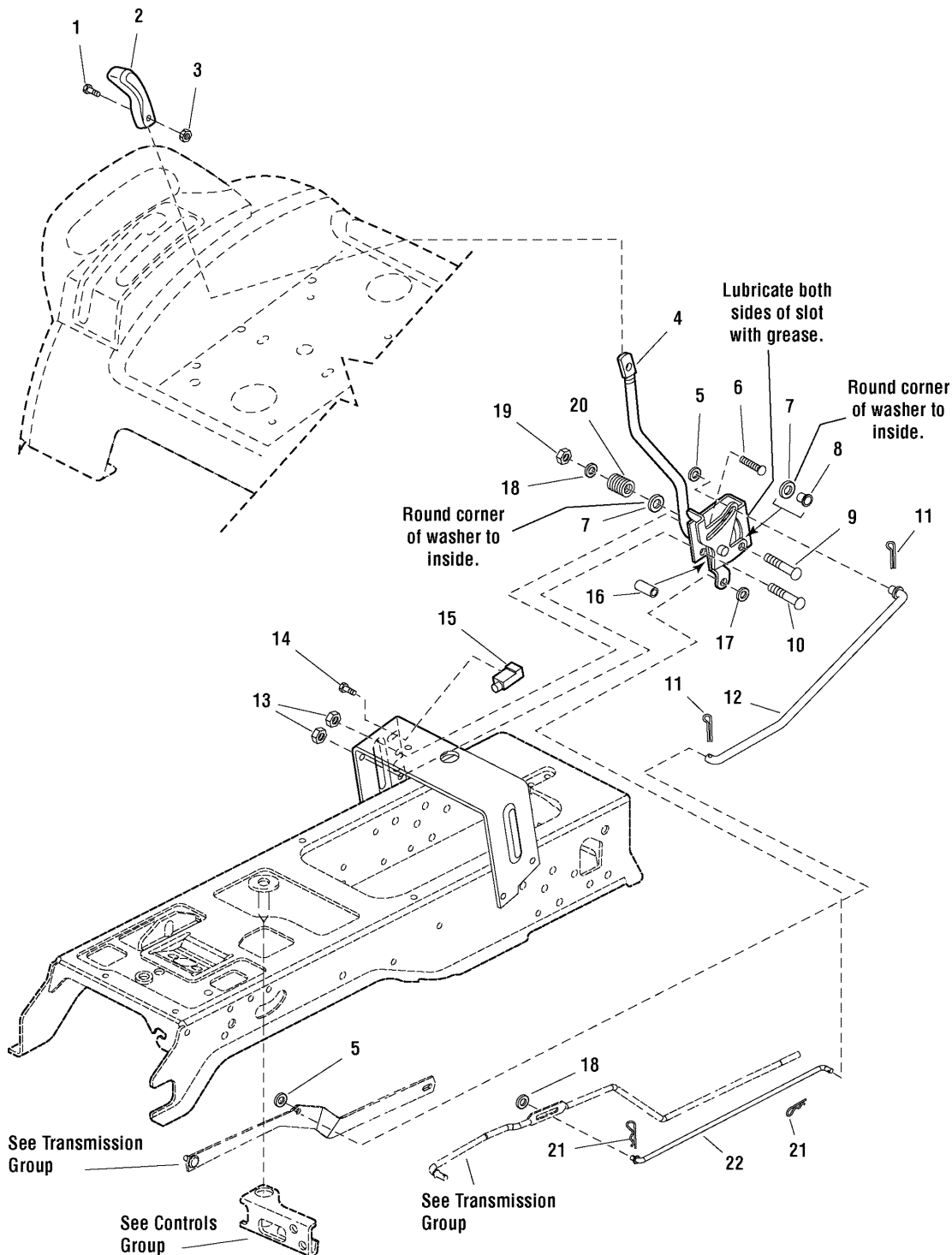
### **The above parts group applies to the following Mfg. Nos.:**

2690621 - Baron XL  
2690622 - Baron XL  
2690625 - 2420 XL  
2690762 - Baron  
2690772 - 2421

# Cruise Control Group

986814

**NOTE:** Unless noted otherwise, use the standard hardware torque specification chart.



**The above parts group applies to the following Mfg. Nos.:**

- 2690621 - Baron XL
- 2690622 - Baron XL
- 2690625 - 2420 XL
- 2690762 - Baron
- 2690772 - 2421

## **Cruise Control Group**

<b>REF NO</b>	<b>PART NO.</b>	<b>QTY.</b>	<b>DESCRIPTION</b>
1	1960666SM	1	CAPSCREW, Torx Socket Head, 1/4-20 x 7/8
2	1722303SM	1	KNOB, Cruise
3	1920397SM	1	NUT, Hex ESNA Lock, 1/4-20
4	1723258SM	1	LEVER & BRACKET ASSEMBLY, Cruise
5	1960103SM	3	WASHER
6	1931333SM	1	CARRIAGE BOLT, 5/16-18 x 3/4
7	1926192SM	2	WASHER, 9/16 x 1-1/4 x 1/8
8	1709043SM	1	SPACER
9	1931342SM	1	CARRIAGE BOLT, 5/16-18 x 2-3/4
10	1960273SM	1	CARRIAGE BOLT, 5/16-18 x 2-1/4
11	1918447SM	2	PIN, Cotter
12	1726059SM	1	ROD, Cruise
13	1960636SM	2	NUT, Hex KEPS, 5/16-18
14	1960001SM	2	CAPSCREW, Hex Head Plastite, 10-14 x 5/8
15	1717050SM	1	SWITCH, Push, Neutral Start, Gray
16	1722080SM	1	SPACER
17	1919326SM	1	WASHER
18	1919381SM	2	WASHER
19	1919438SM	1	NUT, Hex ESNA Lock, 5/16-18
20	1677746SM	1	SPRING, Compression
21	1722460SM	2	PIN, Quick
22	1723099SM	1	ROD, Cruise Return

## **Footnotes**

---

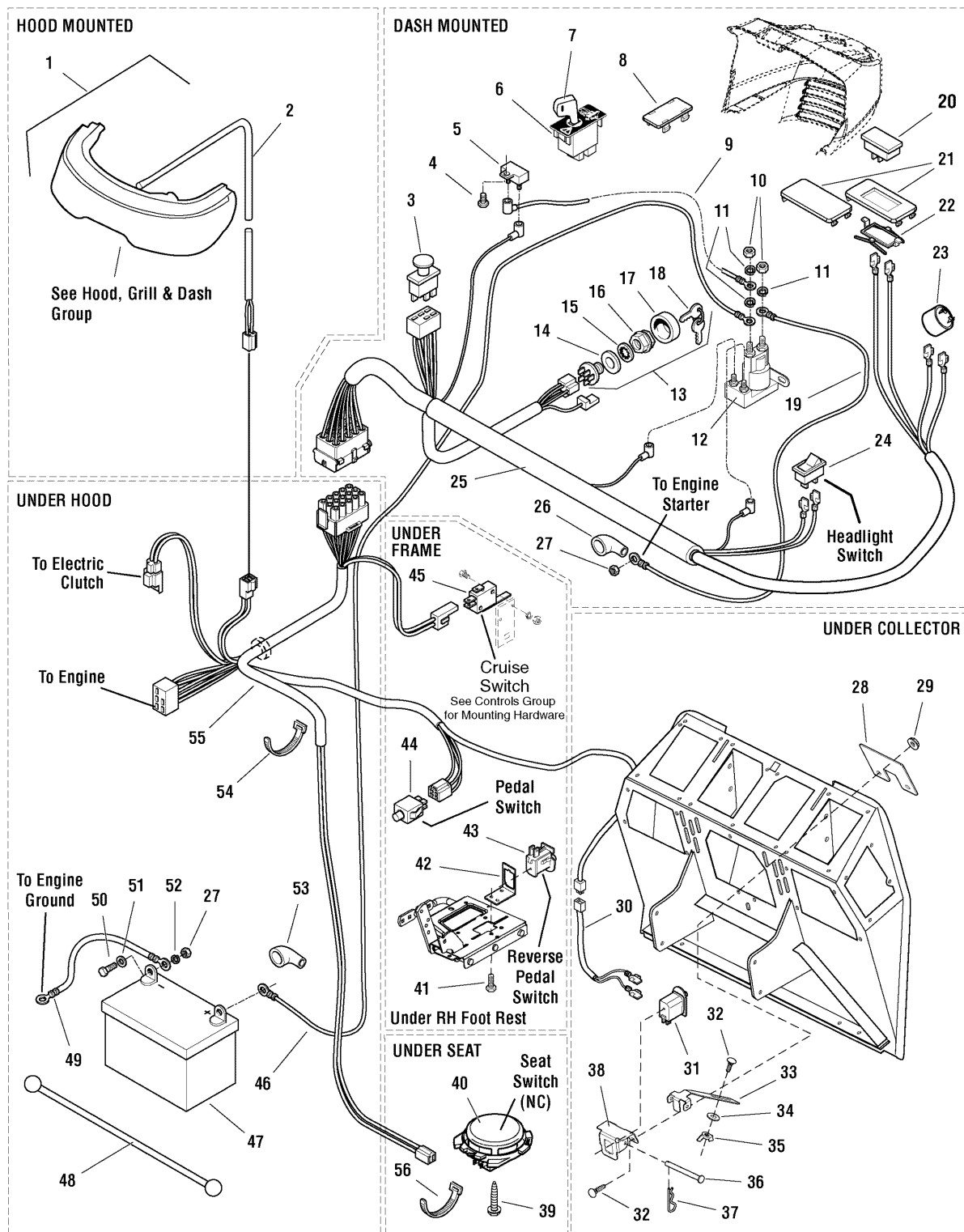
### **The above parts group applies to the following Mfg. Nos.:**

2690621 - Baron XL  
2690622 - Baron XL  
2690625 - 2420 XL  
2690762 - Baron  
2690772 - 2421

# Electrical Group

986631

**NOTE:** Unless noted otherwise, use the standard hardware torque specification chart.



**The above parts group applies to the following Mfg. Nos.:**

- 2690621 - Baron XL
- 2690622 - Baron XL
- 2690625 - 2420 XL
- 2690762 - Baron
- 2690772 - 2421



## Electrical Group

REF NO	PART NO.	QTY.	DESCRIPTION
1	1721810SM	1	HEADLIGHT ASSEMBLY, 4 Bulb
2	1722669SM	1	HARNESS, Headlight
3	1722887SM	1	SWITCH, PTO Push/Pull w/Symbols
4	1921959SM	1	CAPSCREW, Hex Head, 1/4 x 5/8
5	1722739SM	1	SOLENOID
6	1726556SM	1	MODULE, RMO (Includes Ref. No. 7)
7	1726557SM	1	KEY, RMO Module Plastic
7	1726557SM	1	KEY, w/Hang Tag for RMO Module
8	1722611SM	1	PLUG, Hole Black
9	1665237SM	1	WIRE, 12GA 8 Long Red
10	2820263SM	2	NUT, Hex, 5/16-24 NF-2B
11	2820426SM	3	LOCKWASHER, External Tooth 5/16
12	1665238SM	1	BREAKER, Circuit 12VOLT 20AMPS w/Tabs
13	1686734SM	1	SWITCH ASSEMBLY, Ingition, 6 Pin Indak (Includes Ref. Nos. 14 thru 18)
14	2101025SM	1	WASHER, 5/8
15	1960547SM	1	LOCKWASHER, Internal Tooth, 5/8
16	1717549SM	1	NUT, Hex Flange, 5/8-32 Ignition Switch
17	1717550SM	1	COVER, Ignition Switch, Black
18	1717163SM	1	KEYS, Ignition Set of 2
19	1721830SM	1	CABLE, # 6 x 25 Long Red, 2 Ring Terminals
20	1731184SM	1	METER, Hour Digital w/Oil & Lube Alarms
21	1725524SM	1	PLUG, Dash, Hour Meter
21	1725698SM	1	PLUG, Dash, No Hour Meter Hole
22	1725835SM	1	CLIP, Hour Meter, Holds In Daash
23	1720117SM	1	BUZZER, Pulse, Grass Bag Full
24	1716951SM	1	SWITCH, Headlights, 2 Terminal
25	1730195SM	1	HARNESS, Wiring Upper
26	1677296SM	1	BOOT, Insulator, Battery Terminal
27	2816622SM	3	NUT, Hex, 1/4-20 NC-2B
28	1727776ASM	1	DEFLECTOR, Switch 14GA
29	1960685SM	2	NUT, Hex KEPS Conical Washer, 1/4-20
30	1723954SM	1	HARNESS, Wiring Rear
31	1720411SM	1	SWITCH, Push Button w/Boot, Bagger
32	1960252SM	3	CARRIAGE BOLT, 1/4-20 x 5/8 G5
33	1727428SM	1	PIVOT, Actuator 14GA, E-Coat
34	1960103SM	1	WASHER, 3/8
35	2860293SM	1	NUT, Wing Lock, 1/4-20
36	1960607SM	1	PIN, Clevis
37	1960221SM	1	CLIP, Hair Pin
38	1727427SM	1	SUPPORT, Actuator 14GA, E-Coat
39	1960536SM	2	SCREW, Hex Washer Head Plastite, 1/4 x 1/2 (Used only on Seat Switch 1716368SM)
40	1716368SM	1	SWITCH, Operator Presents, Seat (Mounted with screw Syte)
40	1718981SM	1	SWITCH, Operator Presents, Seat (Twist in Style)
41	1929000SM	1	SCREW, Hex Washer Head Taptite, 1/4-20 x 3/8

### Footnotes

---

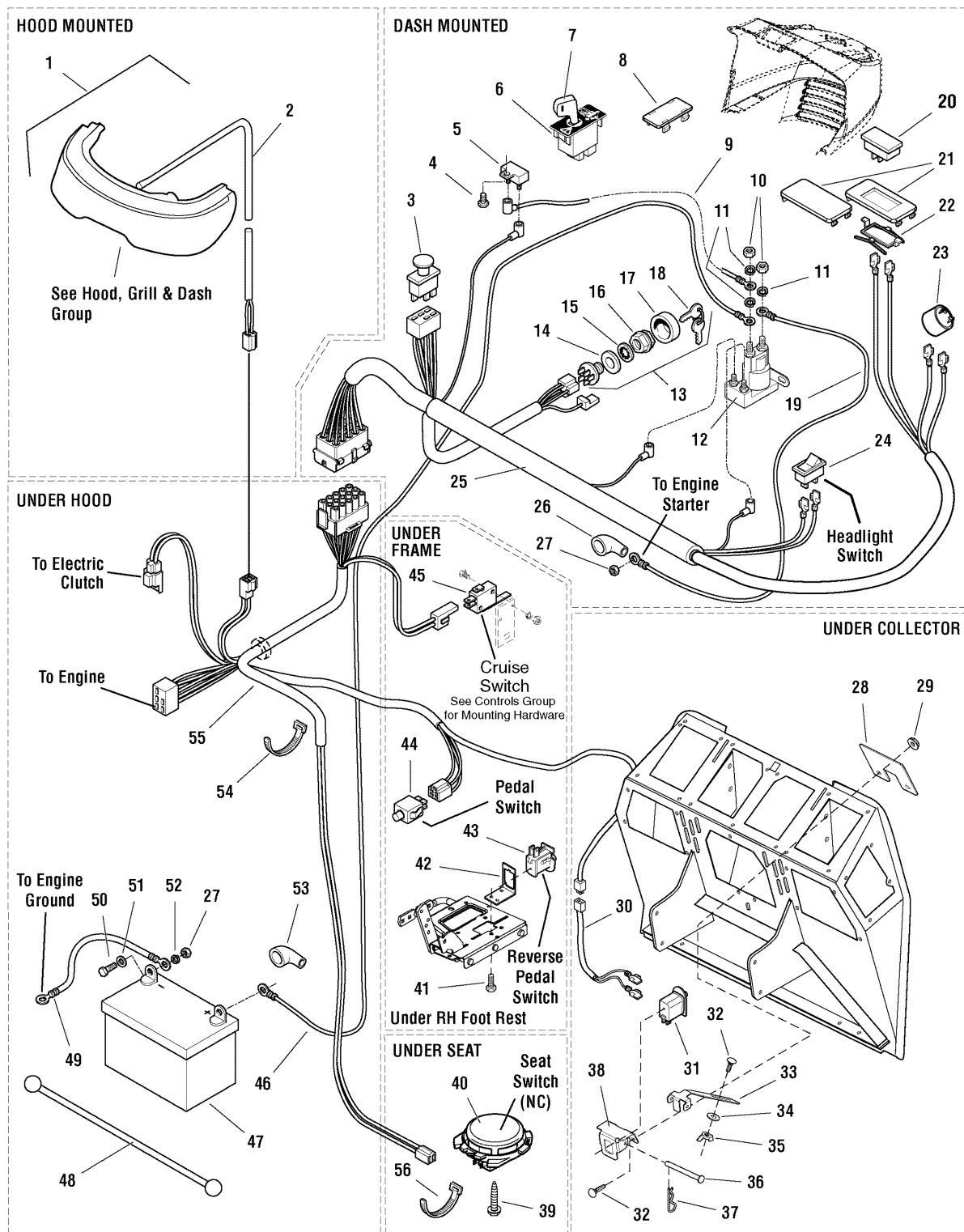
#### The above parts group applies to the following Mfg. Nos.:

2690621 - Baron XL  
2690622 - Baron XL  
2690625 - 2420 XL  
2690762 - Baron  
2690772 - 2421

# Electrical Group

986631

**NOTE:** Unless noted otherwise, use the standard hardware torque specification chart.



**The above parts group applies to the following Mfg. Nos.:**

- 2690621 - Baron XL
- 2690622 - Baron XL
- 2690625 - 2420 XL
- 2690762 - Baron
- 2690772 - 2421

## Electrical Group

REF NO	PART NO.	QTY.	DESCRIPTION
42	1726810ASM	1	BRACKET, Switch Mounting, RMO
43	1732004SM	2	SWITCH, Push Button, Reverse Pedal
44	1723507SM	1	SWITCH, Push Button, Foot Pedal
45	1717050SM	1	SWITCH, Push Button, Cruise Control
46	1603618SM	1	CABLE, # 6 x 9 Long, 2 Ring Terminals
47	1685215SM	1	BATTERY, 12VOLT 6CELL 230AMPS CCA
48	1722009SM	1	STRAP, Battery 14 Long, Black Rubber
49	1713163SM	1	CABLE, # 6 x 26 Long Black, 2 Ring Terminals
50	2823341SM	2	CAPSCREW, Hex Head, 1/4-20 x 3/4 G5
51	2821319SM	2	WASHER, 1/4
52	2816964SM	2	LOCKWASHER, Spring 1/4
53	1713535SM	1	BOOT, Insulator Red, Cable Terminal
54	1701011SM	4	TIE, Self Locking, 7-5/16
55	1730194SM	1	HARNESS, Wiring Lower
56	2825094SM	1	TIE, Self Locking (Used only on Seat Switch 1718981SM)

## Footnotes

---

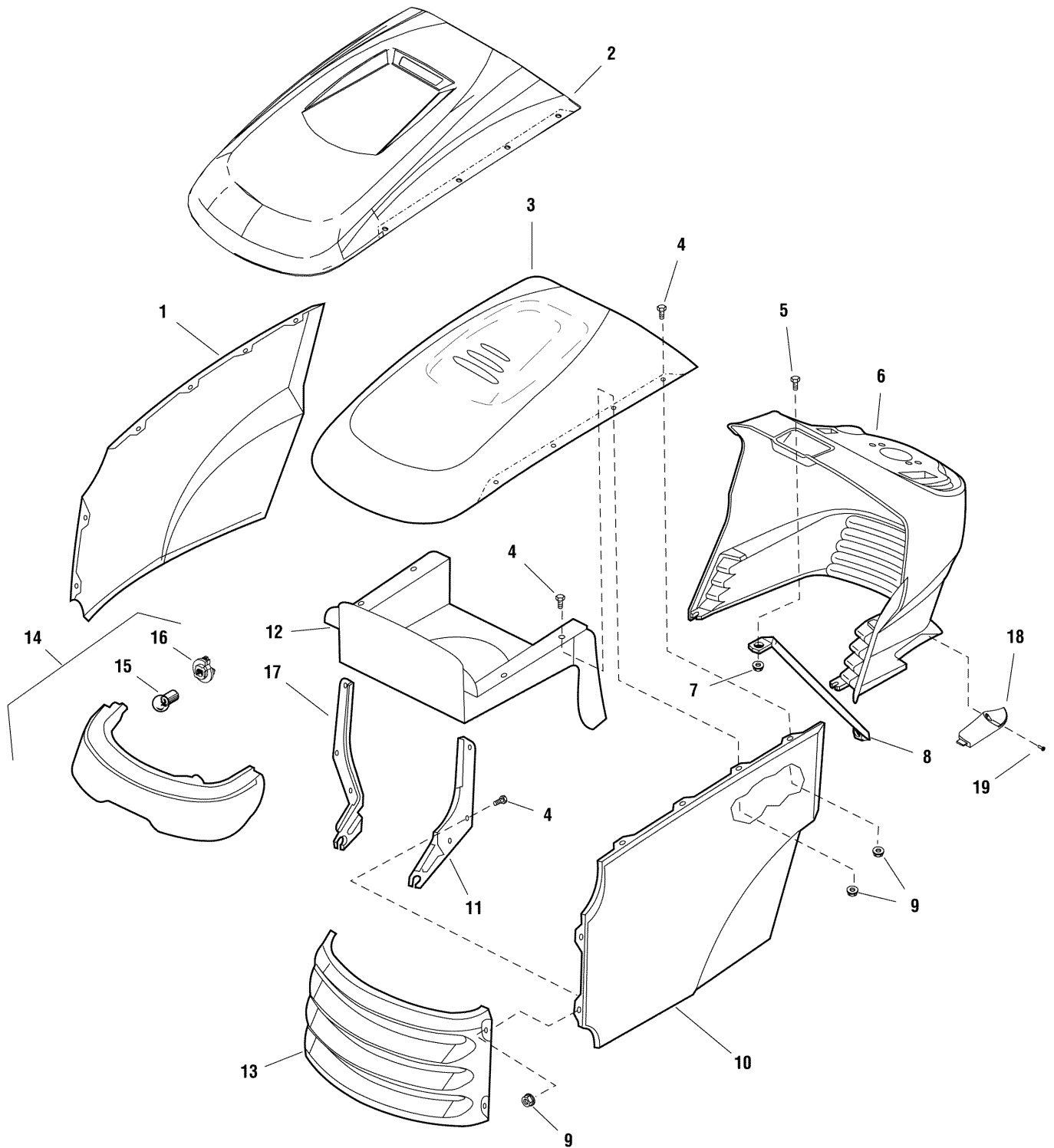
### The above parts group applies to the following Mfg. Nos.:

2690621 - Baron XL  
2690622 - Baron XL  
2690625 - 2420 XL  
2690762 - Baron  
2690772 - 2421

## Hood, Grille & Dash Group

986611

NOTE: Unless noted otherwise,  
use the standard hardware torque  
specification chart.



The above parts group applies to the following Mfg. Nos.:

2690621 - Baron XL  
2690622 - Baron XL  
2690625 - 2420 XL  
2690762 - Baron  
2690772 - 2421

## Hood, Grille & Dash Group

REF NO	PART NO.	QTY.	DESCRIPTION
1	1721804CSM	1	PANEL, RH Side
1	1721804DSM	1	PANEL, RH Side, Red
2	1728031DSM	1	HOOD, with Scoop
3	1722110CSM	1	HOOD, with Louvers
4	1960295SM	12	CAPSCREW, Hex Head Flange Lock, 1/4-20 x 5/8
5	1960392SM	1	SCREW, Phillips Head, #10-24 x 1/2
6	1687056SM	1	DASHBOARD, RMO with Buzzer Hole, Black
7	1933896SM	1	NUT, Hex Nylock, #10-24
8	1723123SM	1	ROD, Dash Support
9	1930641SM	12	NUT, Hex Flange Lock, 1/4-20
10	1721803CSM	1	PANEL, LH Side
10	1721803DSM	1	PANEL, LH Side, Red
11	1721808ASM	1	HINGE, LH
12	1733457ASM	1	DUCT, Air Inlet
13	1721802CSM	1	GRILLE
13	1721802DSM	1	GRILLE, Red
14	1721810SM	1	HEADLIGHT ASSEMBLY, (Includes Ref. Nos. 15 & 16)
15	1677371SM	4	BULB, Headligh
16	1723451SM	4	SOCKET, Headlight
17	1721809ASM	1	HINGE, RH
18	1722285SM	1	COVER, Lift
19	1722607SM	1	SCREW, Plastite #8-16 x 1/2

## Footnotes

---

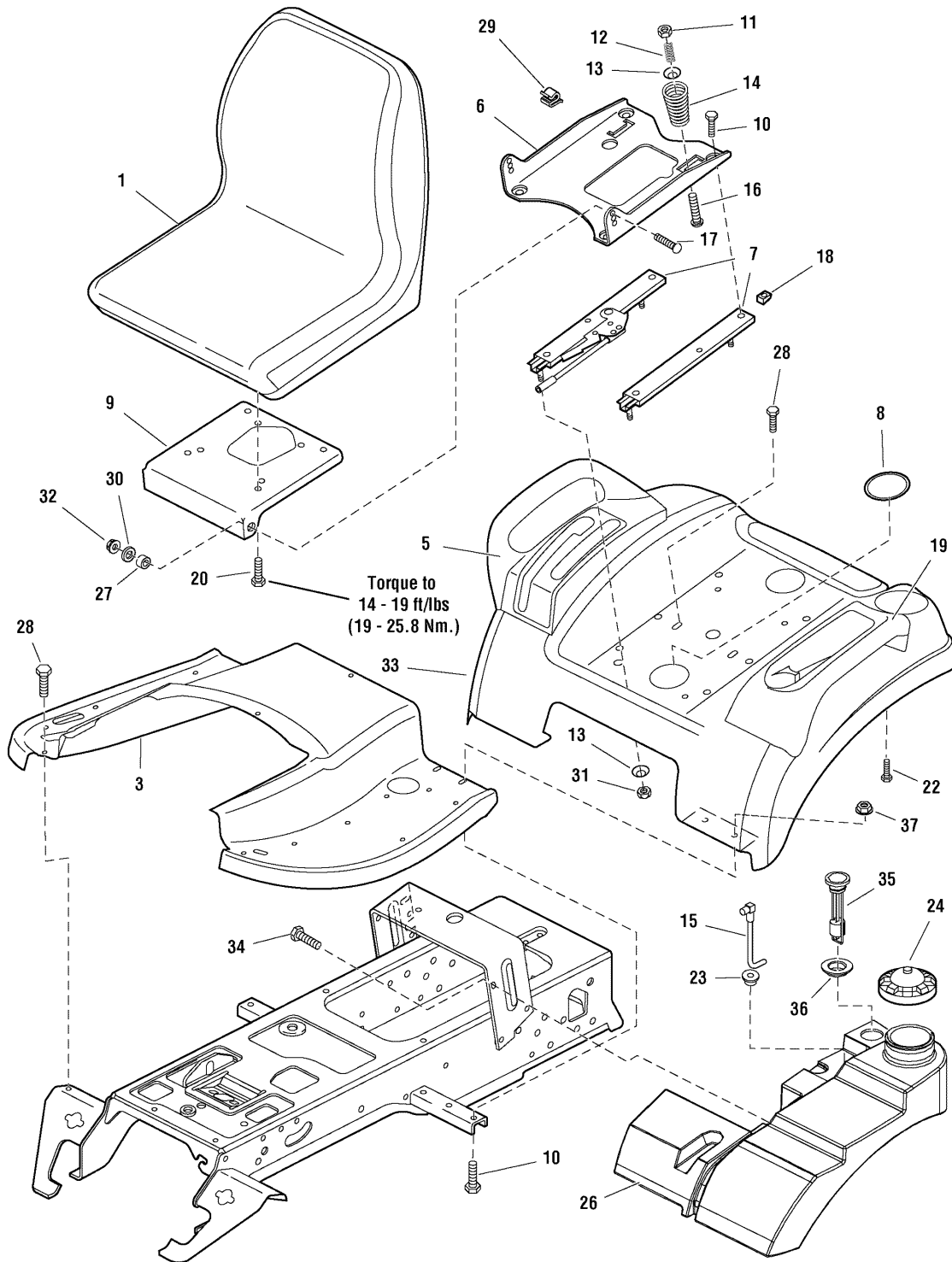
### The above parts group applies to the following Mfg. Nos.:

2690621 - Baron XL  
2690622 - Baron XL  
2690625 - 2420 XL  
2690762 - Baron  
2690772 - 2421

# Seat Deck & Fuel Tank Group

986812

**NOTE:** Unless noted otherwise,  
use the standard hardware torque  
specification chart.



**The above parts group applies to the following Mfg. Nos.:**

- 2690621 - Baron XL
- 2690622 - Baron XL
- 2690625 - 2420 XL
- 2690762 - Baron
- 2690772 - 2421

## Seat Deck & Fuel Tank Group

REF NO	PART NO.	QTY.	DESCRIPTION
1	1687201SM	1	SEAT, 15" Back
3	1722105CSM	1	TUNNEL, Orange
3	1722105DSM	1	TUNNEL, Red
5	1722108SM	1	POD, R.H.
6	1722128ASM	1	SUPPORT, Seat
7	1722356SM	1	SLIDE, Seat
8	1722309SM	2	PLUG, Hole
9	1722129ASM	1	BRACKET, Seat
10	1930591SM	8	SCREW, Hex Whiz Lock Flange 5/16-18 x 3/4
11	1919438SM	2	NUT, Hex Lock Esna Light 5/16-18
12	1714263SM	2	SPRING, Compression
13	1709256SM	6	WASHER, Spring
14	1717051SM	2	SPRING
15	1726902SM	1	TUBE & ELBOW ASSEMBLY, Fuel Line w/Screen
16	1931339SM	2	CARRIAGE BOLT, 5/16-18 x 2 G5
17	1931350SM	2	CARRIAGE BOLT, 3/8-16 x 1 G5
18	1935255SM	4	NUT, Speed, 5/16-18 Lug Type
19	1729711SM	1	POD, w/Cup Holder
20	1960667SM	4	SCREW, Hex Flange, Whiz Lock 5/16-18 x 1
22	2860664SM	8	SCREW, Hex Sems Washer 1/4c x 7/8
23	1654930SM	1	BUSHING, Fuel TankFUEL TANK
24	1715917SM	1	CAP, Fuel Tank
26	1722652SM	1	TANK, Fuel
27	1663752SM	2	SPACER
28	1930601SM	2	SCREW, Hex Washer Head Taptite 5/16-18 x 5/8
29	2172434SM	1	CLIP, Wire, Panel
30	1924940SM	2	WASHER, 3/8
31	1919438SM	4	NUT, Hex Lock Esna Light 5/16-18
32	1930645SM	2	NUT, Hex Flange 3/8-16 Two-Way Lock
33	1727397CSM	1	DECK, Seat Orange
33	1727397DSM	1	DECK, Seat Red
34	2834665SM	1	SCREW, Hex Whiz Lock Flange 5/16-18 x 5/8
35	1722300SM	1	FUEL, Gauge
36	1722337SM	1	GROMMET
37	1931277SM	4	NUT, Hex Flange 5/16-18 Whiz Lock Small

## Footnotes

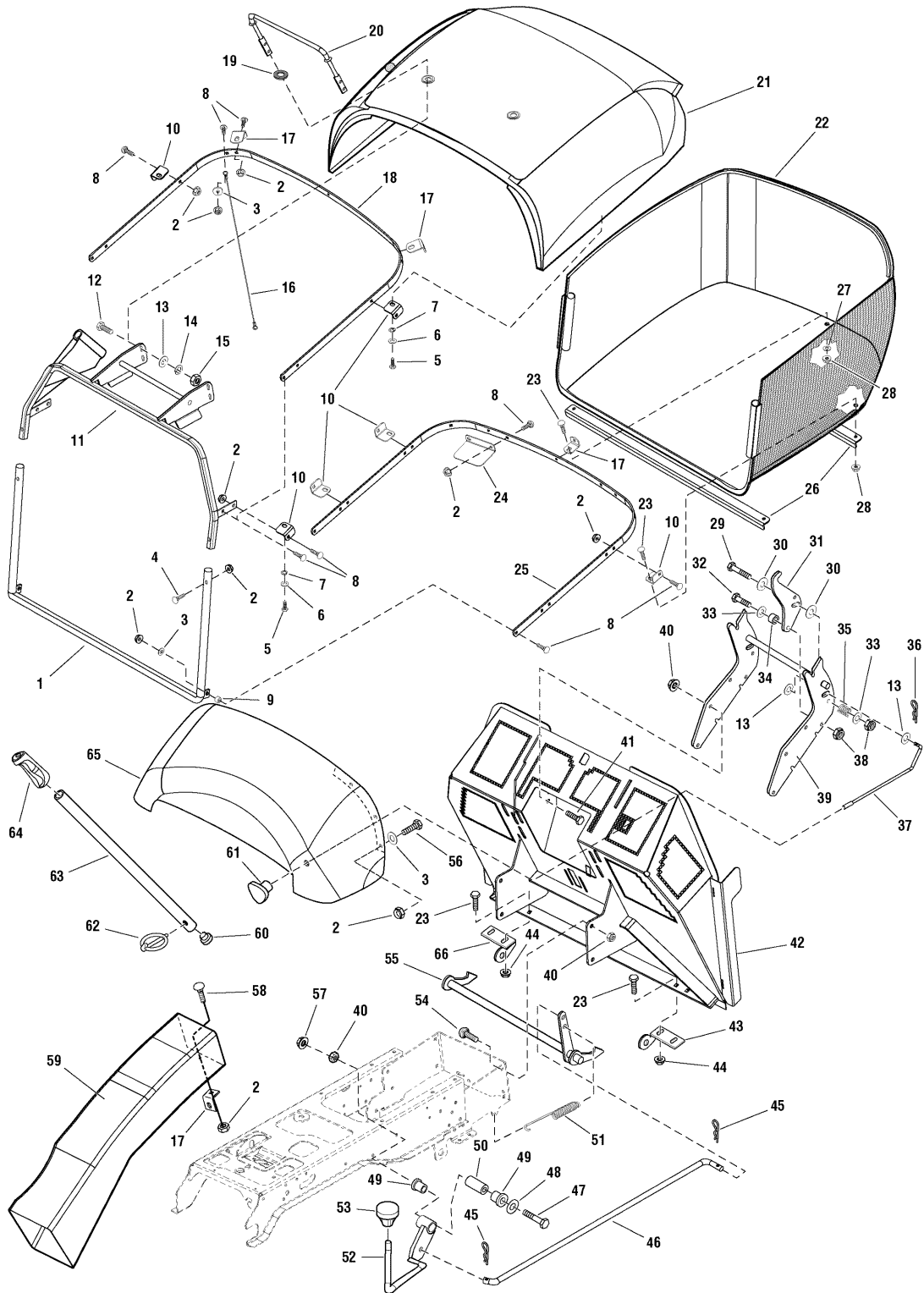
### The above parts group applies to the following Mfg. Nos.:

2690621 - Baron XL  
 2690622 - Baron XL  
 2690625 - 2420 XL  
 2690762 - Baron  
 2690772 - 2421

# Hopper Group

986813

NOTE: Unless noted otherwise,  
use the standard hardware torque  
specification chart.



The above parts group applies to the following Mfg. Nos.:

- 2690621 - Baron XL
- 2690622 - Baron XL
- 2690625 - 2420 XL
- 2690762 - Baron



## Hopper Group

REF NO	PART NO.	QTY.	DESCRIPTION
1	1727486ASM	1	ROD & TABS ASSEMBLY, Bagger Front
2	1960685SM	22	NUT, Hex KEPS Conical Washer, 1/4-20
3	1960353SM	8	WASHER, 1/4
4	1931320SM	4	CARRIAGE BOLT, 1/4-20 x 1-1/4
5	1921333SM	6	CAPSCREW, Hex Head, 5/16-18 x 1 G5
6	1917356SM	6	LOCKWASHER, Spring 5/16
7	1919326SM	6	WASHER, 5/16
8	1931317SM	15	CARRIAGE BOLT, 1/4-20 x 3/4 G5
9	1715654SM	2	SPACER
10	1727674SM	6	CLIP, L 12GA
11	1727420A	1	FRAME ASSEMBLY, Hopper
12	1924009SM	4	CAPSCREW, Hex Head, 1/4-20 x 7/8 G5
13	1921319SM	3	WASHER, 1/4
14	1916964SM	4	LOCKWASHER, Spring 1/4
15	1916622SM	4	NUT, Hex 1/4-20
16	1727832SM	2	CABLE, Bagger, 17.72 Long
17	1727676A	4	CLIP, L 12GA
18	1727671ASM	1	BAR, Bagger Top 7GA
19	1724684SM	2	WASHER, 5/8
20	1724399ASM	1	HANDLE, Hopper, 13.59 Long
21	1727930SM	1	LID & SCREEN ASSEMBLY, Orange
21	1727931SM	1	LID & SCREEN ASSEMBLY, Red
22	1727423SM	1	BAG, Grass Black Cloth
23	1931334SM	9	CARRIAGE BOLT, 5/16-18 x 7/8 G5
24	1727520A	1	PLATE, Tube Stop Bagger 14GA
25	1727670A	1	BAR, Bagger Bottom 7GA
26	1727675ASM	2	BRACE, Angle
27	1960044SM	1	WASHER, 5/16
28	1960684SM	5	NUT, Hex KEPS Conical Washer, 5/16-18
29	1921978SM	1	CAPSCREW, Hex Head 5/16-18 x 2 G5
30	1960044SM	2	WASHER, 5/16
31	1724651ASM	1	LATCH, Release 10GA
32	1921333SM	1	CAPSCREW, Hex Head, 5/16-18 x 1 G5
33	1919326SM	2	WASHER, 5/16
34	1666697SM	1	SPACER, Powdered Metal
35	1714263SM	1	SPRING, Compression
36	1923360SM	1	PIN, Cotter
37	1724652SM	1	ROD, Foot Pedal Bagger Release, 11.66 Long, 2 Bends
38	1919438SM	2	NUT, Hex Lock ESNA Light, 5/16-18 NC-3B
39	1727580A	1	PIVOT ASSEMBLY, Latch
40	1928352SM	5	NUT, Hex Flange Whiz Lock, 3/8-16 Large
41	1921965SM	4	CAPSCREW, Hex Head, 3/8-16 x 3/4 G5
42	1727419A	1	BACKPLATE ASSEMBLY
43	1723182ASM	1	BRACKET, Latch LH, 7GA

### Footnotes

---

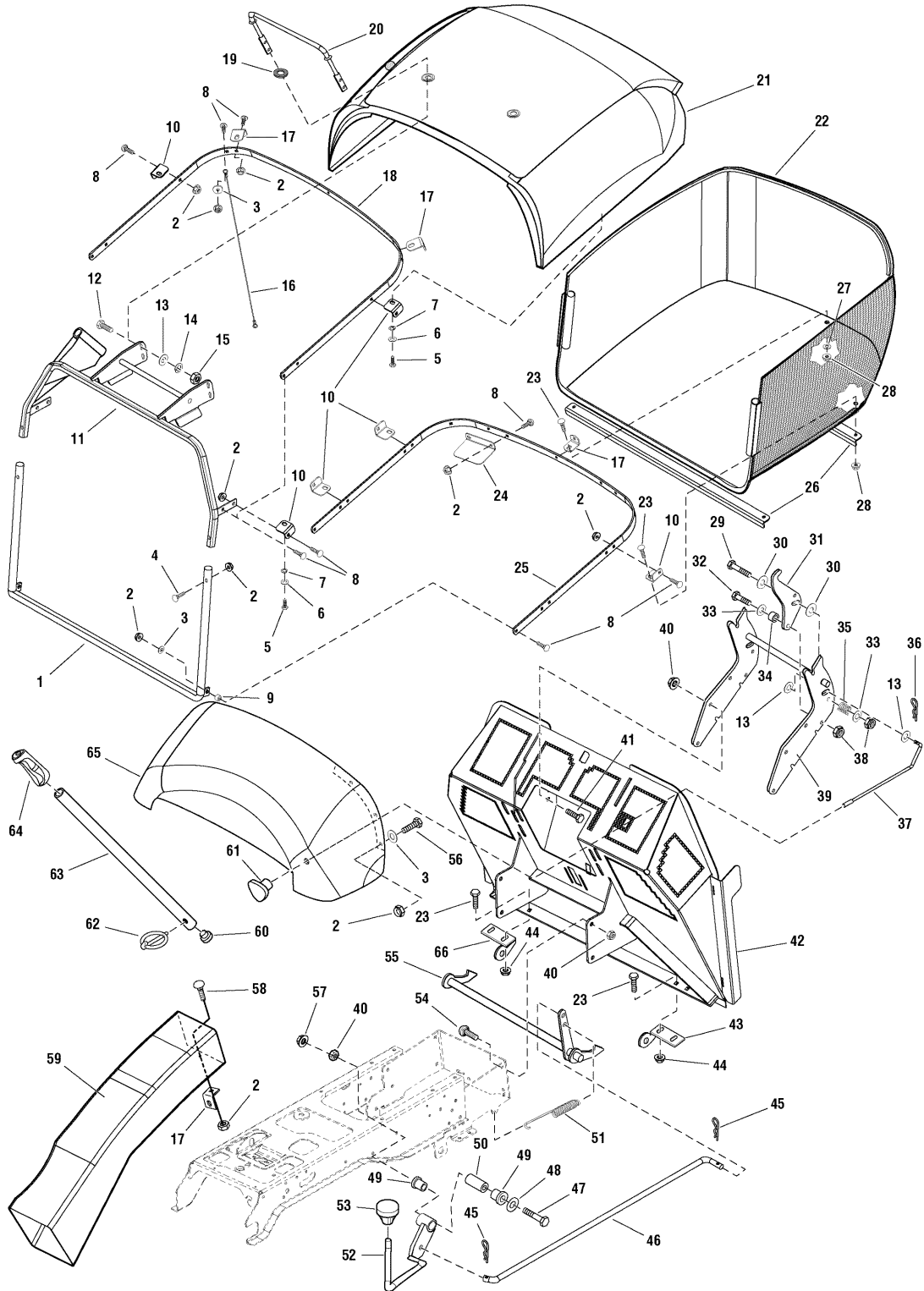
#### The above parts group applies to the following Mfg. Nos.:

2690621 - Baron XL  
2690622 - Baron XL  
2690625 - 2420 XL  
2690762 - Baron

# Hopper Group

986813

NOTE: Unless noted otherwise,  
use the standard hardware torque  
specification chart.



The above parts group applies to the following Mfg. Nos.:

- 2690621 - Baron XL
- 2690622 - Baron XL
- 2690625 - 2420 XL
- 2690762 - Baron

## Hopper Group

REF NO	PART NO.	QTY.	DESCRIPTION
44	1931277SM	4	NUT, Hex Flange Whiz Lock, 5/16-18 Small
45	1960074SM	2	CLIP, Hair Pin, Spring Wire
46	1724458SM	1	ROD, 25.12 Long, 2 Bends
47	1921973SM	1	CAPSCREW, Hex Head, 3/8-16 x 2-3/4 G5
48	1924940SM	1	WASHER, 3/8
49	1676148SM	2	BUSHING, Powdered Metal
50	1669105SM	1	SPACER, 1-1/2 Long, Hardened
51	1718016SM	1	SPRING, Extension
52	1725036SM	1	ROD & TUBE ASSEMBLY, Differential Lock Pedal
53	1719940SM	1	KNOB, Hole 1/2, 1.37 Long
54	1960268SM	4	CARRIAGE BOLT, 3/8-16 x 1-1/4 G5
55	1724540SM	1	SHAFT & ARMS ASSEMBLY, Latch
56	1960556SM	4	SCREW, Pan Head Torx Taptite, 1/4-20 x 3/4
57	1930645SM	1	NUT, Hex Flange Two Way Lock, 3/8-16 GA
58	1923341SM	1	CAPSCREW, Hex Head, 1/4-20 x 3/4 G5
59	1727429SM	1	CHUTE, Discharge Black Poly
60	1724553SM	1	CAPLUG, Black Poly, 3/4 Hole
61	1713855SM	1	KNOB, Bagger Release
62	1666969SM	1	PIN, Klik 5/164
63	1727523ASM	1	HANDLE, Tube, 39.75 Long
64	1723359SM	1	GRIP, Hopper Lift Rod
65	1727406SM	1	TRANSITION, Hopper Black
66	1723181ASM	1	BRACKET, Latch RH, 7GA

## Footnotes

---

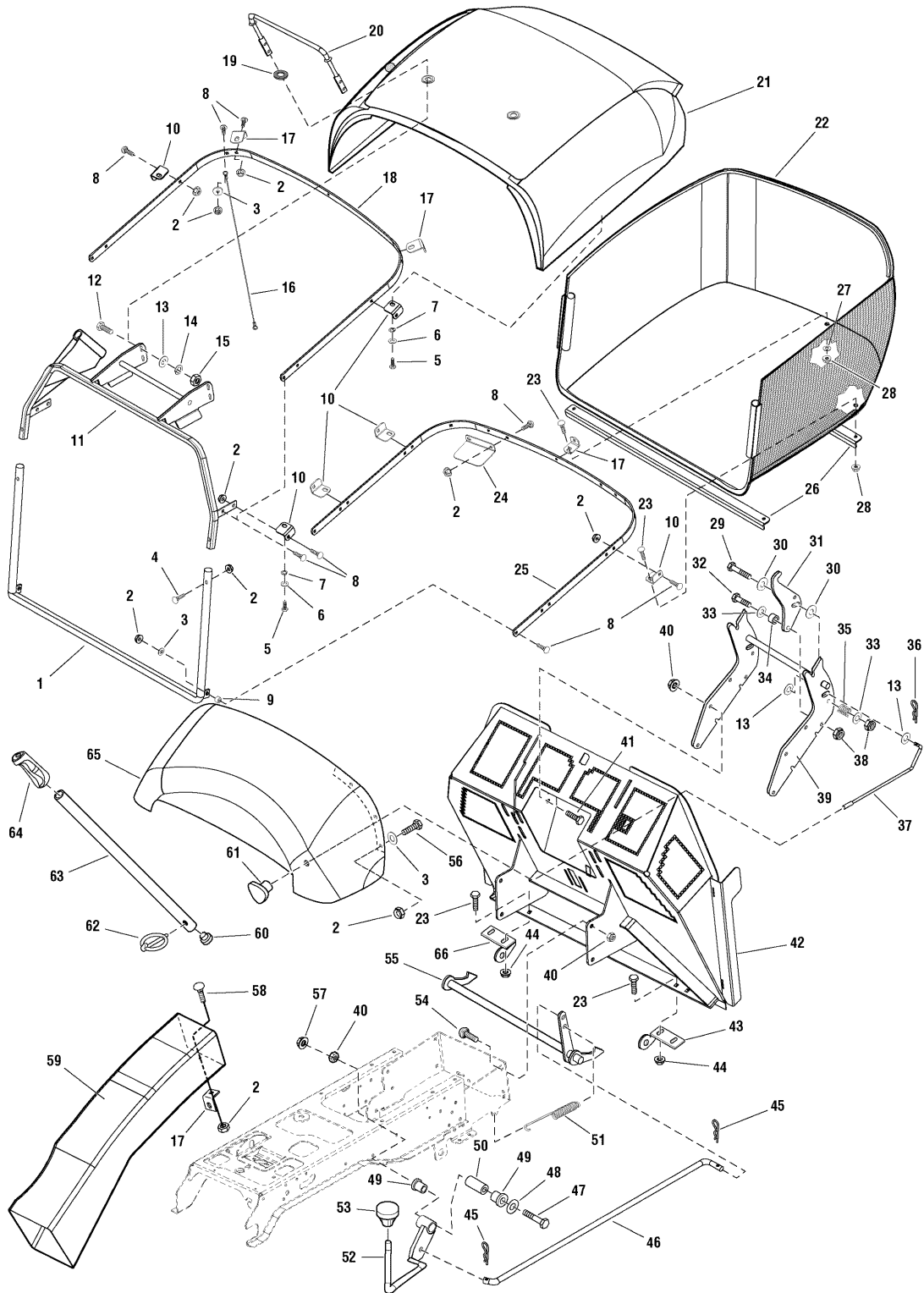
### The above parts group applies to the following Mfg. Nos.:

2690621 - Baron XL  
2690622 - Baron XL  
2690625 - 2420 XL  
2690762 - Baron

# Hopper Group

986824

NOTE: Unless noted otherwise,  
use the standard hardware torque  
specification chart.



The above parts group applies to the following Mfg. Nos.:  
2690772 - 2421

## Hopper Group

REF NO	PART NO.	QTY.	DESCRIPTION
1	1727486ASM	1	ROD & TABS ASSEMBLY, Bagger Front
2	1960685SM	22	NUT, Hex KEPS Conical Washer, 1/4-20
3	1960353SM	8	WASHER, 1/4
4	1931320SM	4	CARRIAGE BOLT, 1/4-20 x 1-1/4
5	1921333SM	6	CAPSCREW, Hex Head, 5/16-18 x 1 G5
6	1917356SM	6	LOCKWASHER, Spring 5/16
7	1919326SM	6	WASHER, 5/16
8	1931317SM	15	CARRIAGE BOLT, 1/4-20 x 3/4 G5
9	1715654SM	2	SPACER
10	1727674SM	6	CLIP, L 12GA
11	1727420A	1	FRAME ASSEMBLY, Hopper
12	1924009SM	4	CAPSCREW, Hex Head, 1/4-20 x 7/8 G5
13	1921319SM	3	WASHER, 1/4
14	1916964SM	4	LOCKWASHER, Spring 1/4
15	1916622SM	4	NUT, Hex 1/4-20
16	1727832SM	2	CABLE, Bagger, 17.72 Long
17	1727676A	4	CLIP, L 12GA
18	1727671ASM	1	BAR, Bagger Top 7GA
19	1724684SM	2	WASHER, 5/8
20	1724399ASM	1	HANDLE, Hopper, 13.59 Long
21	1727931SM	1	LID & SCREEN ASSEMBLY, Red
22	1727423SM	1	BAG, Grass Black Cloth
23	1931334SM	9	CARRIAGE BOLT, 5/16-18 x 7/8 G5
24	1727520A	1	PLATE, Tube Stop Bagger 14GA
25	1727670A	1	BAR, Bagger Bottom 7GA
26	1727675ASM	2	BRACE, Angle
27	1960044SM	1	WASHER, 5/16
28	1960684SM	5	NUT, Hex KEPS Conical Washer, 5/16-18
29	1921978SM	1	CAPSCREW, Hex Head 5/16-18 x 2 G5
30	1960044SM	2	WASHER, 5/16
31	1724651ASM	1	LATCH, Release 10GA
32	1921333SM	1	CAPSCREW, Hex Head, 5/16-18 x 1 G5
33	1919326SM	2	WASHER, 5/16
34	1666697SM	1	SPACER, Powdered Metal
35	1714263SM	1	SPRING, Compression
36	1923360SM	1	PIN, Cotter
37	1724652SM	1	ROD, Foot Pedal Bagger Release, 11.66 Long, 2 Bends
38	1919438SM	2	NUT, Hex Lock ESNA Light, 5/16-18 NC-3B
39	1727580A	1	PIVOT ASSEMBLY, Latch
40	1928352SM	5	NUT, Hex Flange Whiz Lock, 3/8-16 Large
41	1921965SM	4	CAPSCREW, Hex Head, 3/8-16 x 3/4 G5
42	1727419A	1	BACKPLATE ASSEMBLY
43	1723182ASM	1	BRACKET, Latch LH, 7GA

## Footnotes

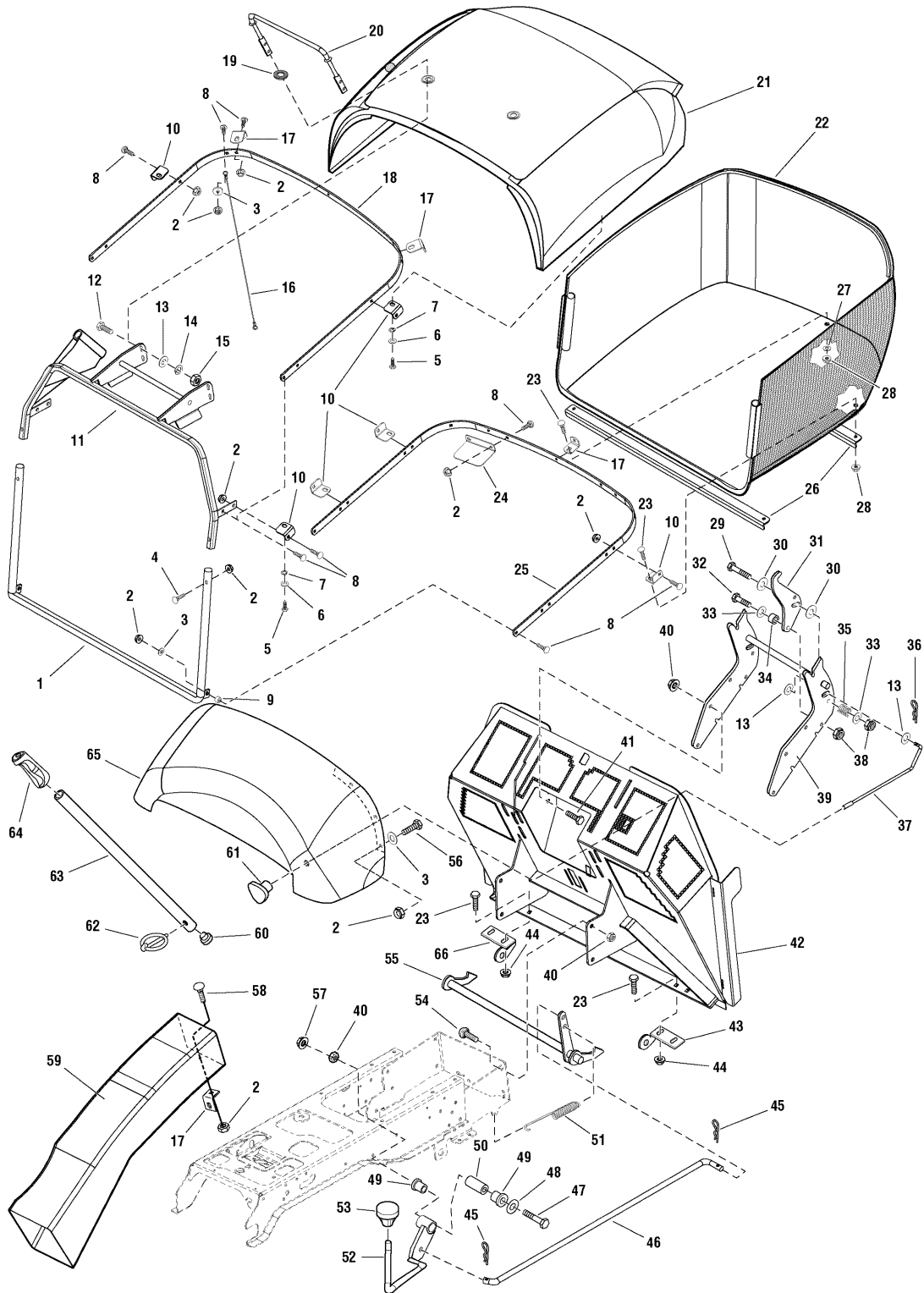
The above parts group applies to the following Mfg. Nos.:

2690772 - 2421

# Hopper Group

986824

NOTE: Unless noted otherwise,  
use the standard hardware torque  
specification chart.



The above parts group applies to the following Mfg. Nos.:  
2690772 - 2421

## Hopper Group

REF NO	PART NO.	QTY.	DESCRIPTION
44	1931277SM	4	NUT, Hex Flange Whiz Lock, 5/16-18 Small
45	1960074SM	2	CLIP, Hair Pin, Spring Wire
46	1724458SM	1	ROD, 25.12 Long, 2 Bends
47	1921973SM	1	CAPSCREW, Hex Head, 3/8-16 x 2-3/4 G5
48	1924940SM	1	WASHER, 3/8
49	1676148SM	2	BUSHING, Powdered Metal
50	1669105SM	1	SPACER, 1-1/2 Long, Hardened
51	1718016SM	1	SPRING, Extension
52	1725036SM	1	ROD & TUBE ASSEMBLY, Differential Lock Pedal
53	1719940SM	1	KNOB, Hole 1/2, 1.37 Long
54	1960268SM	4	CARRIAGE BOLT, 3/8-16 x 1-1/4 G5
55	1724540SM	1	SHAFT & ARMS ASSEMBLY, Latch
56	1960556SM	4	SCREW, Pan Head Torx Taptite, 1/4-20 x 3/4
57	1930645SM	1	NUT, Hex Flange Two Way Lock, 3/8-16 GA
58	1923341SM	1	CAPSCREW, Hex Head, 1/4-20 x 3/4 G5
59	1727429SM	1	CHUTE, Discharge Black Poly
60	1724553SM	1	CAPLUG, Black Poly, 3/4 Hole
61	1713855SM	1	KNOB, Bagger Release
62	1666969SM	1	PIN, Klik 5/164
63	1727523ASM	1	HANDLE, Tube, 39.75 Long
64	1723359SM	1	GRIP, Hopper Lift Rod
65	1727406SM	1	TRANSITION, Hopper Black
66	1723181ASM	1	BRACKET, Latch RH, 7GA

## Footnotes

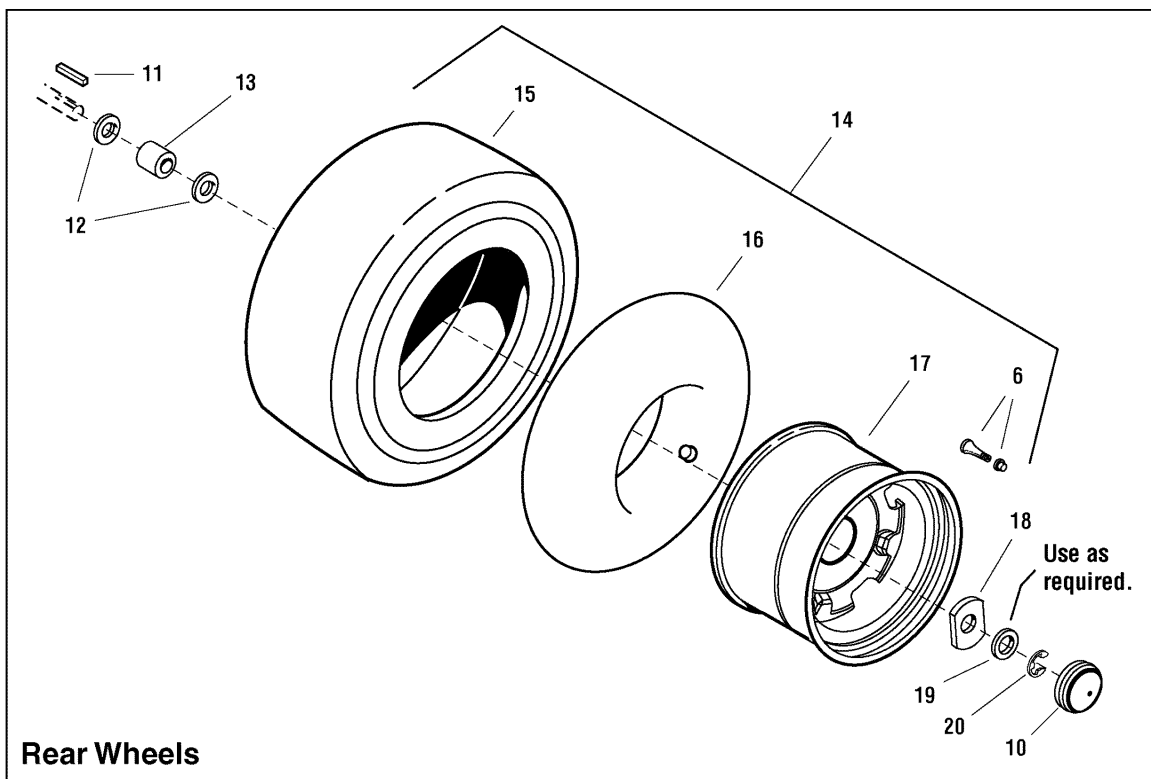
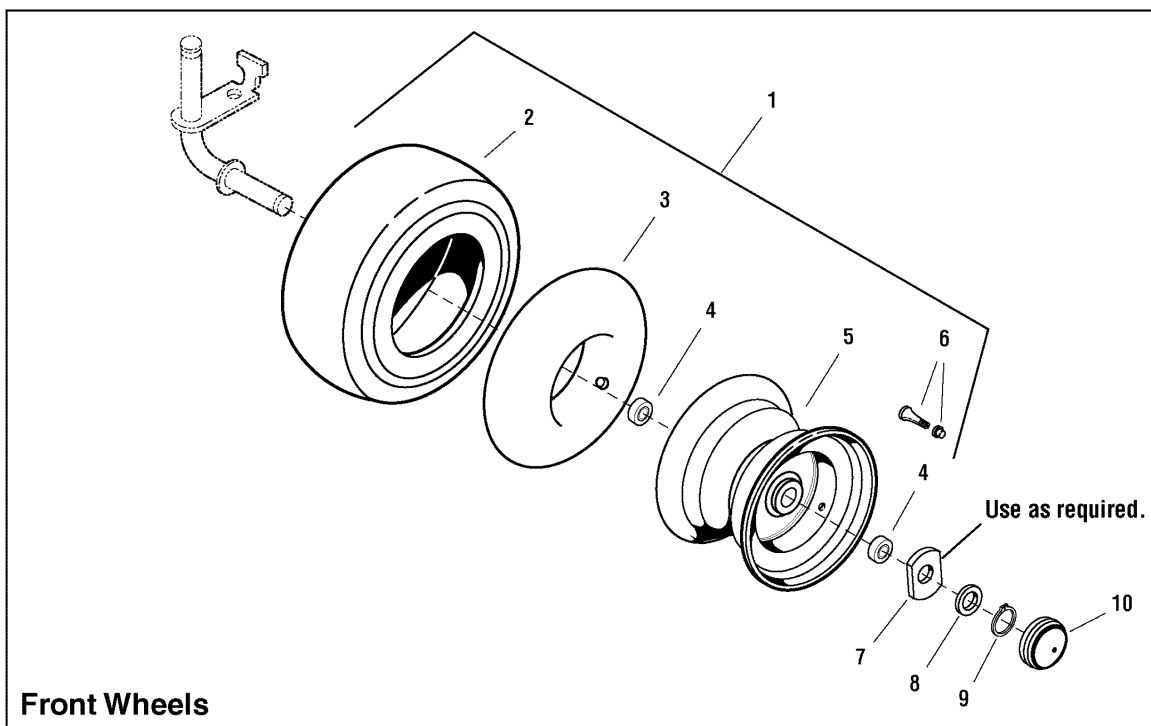
The above parts group applies to the following Mfg. Nos.:

2690772 - 2421

## Wheels & Tires Group

NOTE: Unless noted otherwise,  
use the standard hardware torque  
specification chart.

W986625



The above parts group applies to the following Mfg. Nos.:

- 2690621 - Baron XL
- 2690622 - Baron XL
- 2690625 - 2420 XL
- 2690762 - Baron
- 2690772 - 2421



## **Wheels & Tires Group**

<b>REF NO</b>	<b>PART NO.</b>	<b>QTY.</b>	<b>DESCRIPTION</b>
1	1732202SM	2	WHEEL & TIRE ASSEMBLY, Front, (Includes Ref. Nos. 2, 3, 4, 5, & 6)
2	1733882SM	1	TIRE, 15 x 6, Super Turf
3	1664090SM	1	TUBE, Tire, Front, 4.10/3.50
4	1717056SM	2	BEARING, Ball
5	1722837SM	1	WHEEL, 4-1/2" x 6"
6	2172353SM	4	VALVE STEM & CAP ASSEMBLY
7	1722726SM	4	WASHER, Special, (As Required)
8	1919394SM	4	WASHER, 1, (As Required)
9	2832577SM	2	RING, Retaining, External #98
10	1722676SM	4	CAP, Hub, Gray
11	1729279SM	2	KEY, Parellel, 3/16 x 3/16 x 1-1/2
12	2860202SM	4	WASHER, 3/4
13	1709527SM	2	SPACER
14	1732203SM	2	WHEEL & TIRE ASSEMBLY, (Includes Ref. Nos. 6, 15, 16 & 17)
15	1733881SM	1	TIRE, 20 x 10, 8 Super Turf
16	2173477SM	1	TUBE, Tire, 20 x 8, Rear
17	1722835SM	1	WHEEL, 7 x 7.96, W/ 3/4 OD Shaft
18	1722717SM	2	WASHER, Special
19	1960114SM	2	WASHER, 3/4
20	2827794SM	2	RING, "E" External

## **Footnotes**

---

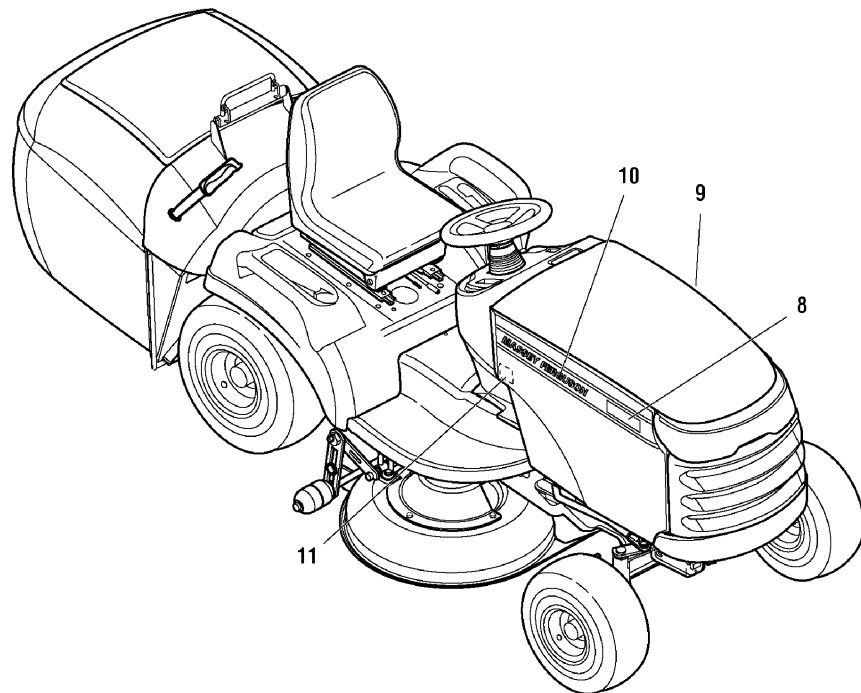
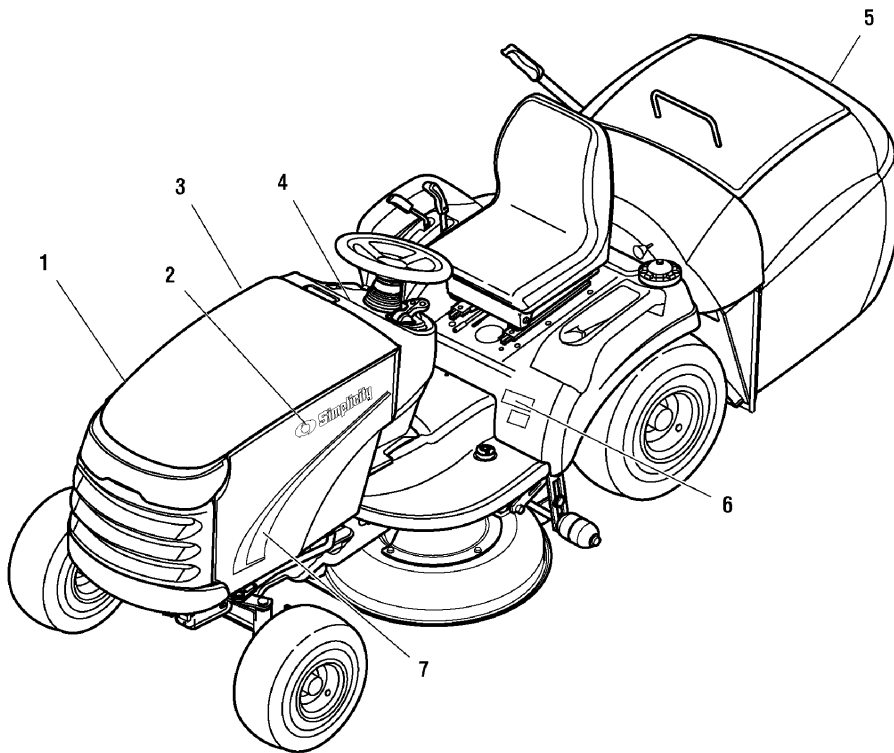
### **The above parts group applies to the following Mfg. Nos.:**

2690621 - Baron XL  
2690622 - Baron XL  
2690625 - 2420 XL  
2690762 - Baron  
2690772 - 2421

## Decals Group - Brand & Model

NOTE: Unless noted otherwise,  
use the standard hardware torque  
specification chart.

B986625



---

### The above parts group applies to the following Mfg. Nos.:

2690621 - Baron XL  
2690622 - Baron XL  
2690625 - 2420 XL  
2690762 - Baron  
2690772 - 2421

## **Decals Group - Brand & Model**

<b>REF NO</b>	<b>PART NO.</b>	<b>QTY.</b>	<b>DESCRIPTION</b>
1	1722773SM	1	DECAL, Hood Stripe RH, Simplicity
1	1727784SM	1	DECAL, Hood Stripe RH, Massey Baron
2	1727718SM	1	DECAL, Hood LH, Simplicity
3	1727717SM	1	DECAL, Hood RH, Simplicity
4	1727714SM	1	DECAL, Baron XL
5	1723859SM	1	DECAL, Simplicity
6	1722784SM	1	DECAL, Baron
7	1722774SM	1	DECAL, Hood Stripe LH, Simplicity
8	1728095SM	2	DECAL, 2420 Massey Ferguson
8	1728121SM	2	DECAL, 2418 Massey Ferguson
8	1728121SM	2	DECAL, 2421 Massey Ferguson
9	1727784SM	1	DECAL, Hood Stripe LH, Massey Ferguson
9	1727783SM	1	DECAL, Hood Stripe LH, Massey Baron
10	1722774SM	1	DECAL, Hood Stripe LH, Simplicity
11	1720454SM	1	DECAL, Touch Up Paint (Orange & Red)

## **Footnotes**

---

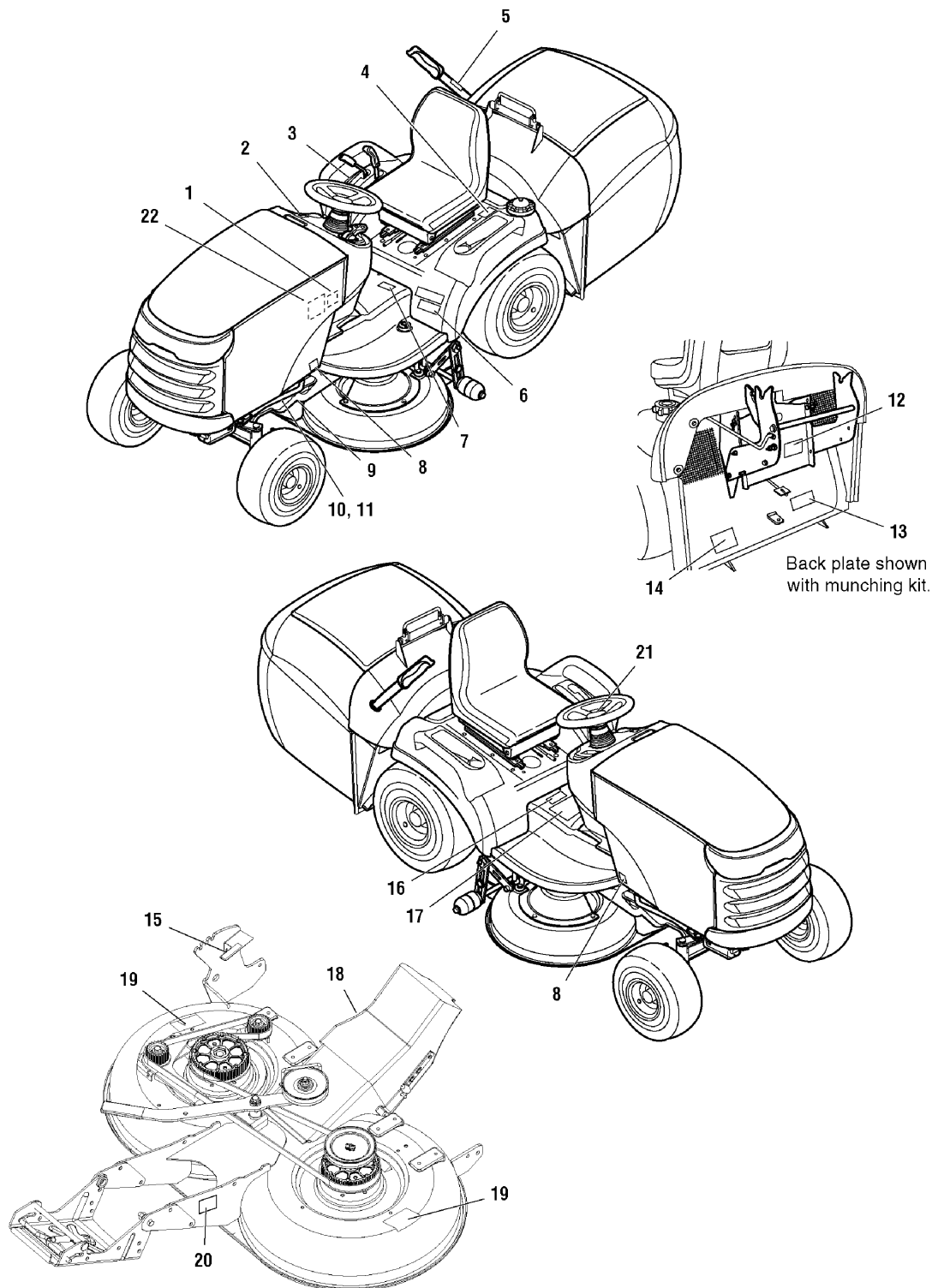
### **The above parts group applies to the following Mfg. Nos.:**

2690621 - Baron XL  
2690622 - Baron XL  
2690625 - 2420 XL  
2690762 - Baron  
2690772 - 2421

## Decals Group - Safety & Common

NOTE: Unless noted otherwise,  
use the standard hardware torque  
specification chart.

C986625



The above parts group applies to the following Mfg. Nos.:

- 2690621 - Baron XL
- 2690622 - Baron XL
- 2690625 - 2420 XL
- 2690762 - Baron
- 2690772 - 2421

## Decals Group - Safety & Common

REF NO	PART NO.	QTY.	DESCRIPTION
1	1732413SM	1	DECAL, Belt and Blade
2	1722806SM	1	DECAL, Ignitiaon Switch Symbols
3	1723713SM	1	DECAL, Cruise/Lift
4	1724680SM	1	DECAL, Hopper Release
5	1723310SM	1	DECAL, Hopper Lever
6	1722779SM	1	DECAL, 18HP
6	1722780SM	1	DECAL, 20HP
6	1730206SM	1	DECAL, 21HP
7	1723317SM	1	DECAL, Hopper Pedal
8	1723296SM	2	STICKER, Protective Clear, 1-3/4 x 1-3/4
9	*	2	LABEL, Decibel
10	*	1	ID PLATE, Tractor
11	*	1	DECAL, Patent
12	1723425SM	1	DECAL, Transmission Release Valve, Symbol
13	1721141SM	1	DECAL, Drawbar Max Load
14	1720391SM	1	DECAL, Danger Operating without Catcher
15	1723470SM	1	DECAL, Height of Cut
16	1720390SM	1	DECAL, Danger Catcher Open, Symbol
17	1723175SM	1	DECAL, Operator Tunnel Icons (CE/Export)
17	1734027SM	1	DECAL, Operator Tunnel Icons ACS (CE/Export)
18	1721107SM	1	DECAL, Danger Discharge Tube, Symbols (Right side of discharge chute)
19	1720389SM	2	DECAL, Danger Rotating Blades, Symbols
20	*	1	ID PLATE, Mower Deck
21	1731418SM	1	DECAL, SMI Steering Wheel, Orange
22	1720454SM	1	DECAL, Touch Up Paint, Orange, Black, Red

### Footnotes

Note\* Not a serviceable part.

---

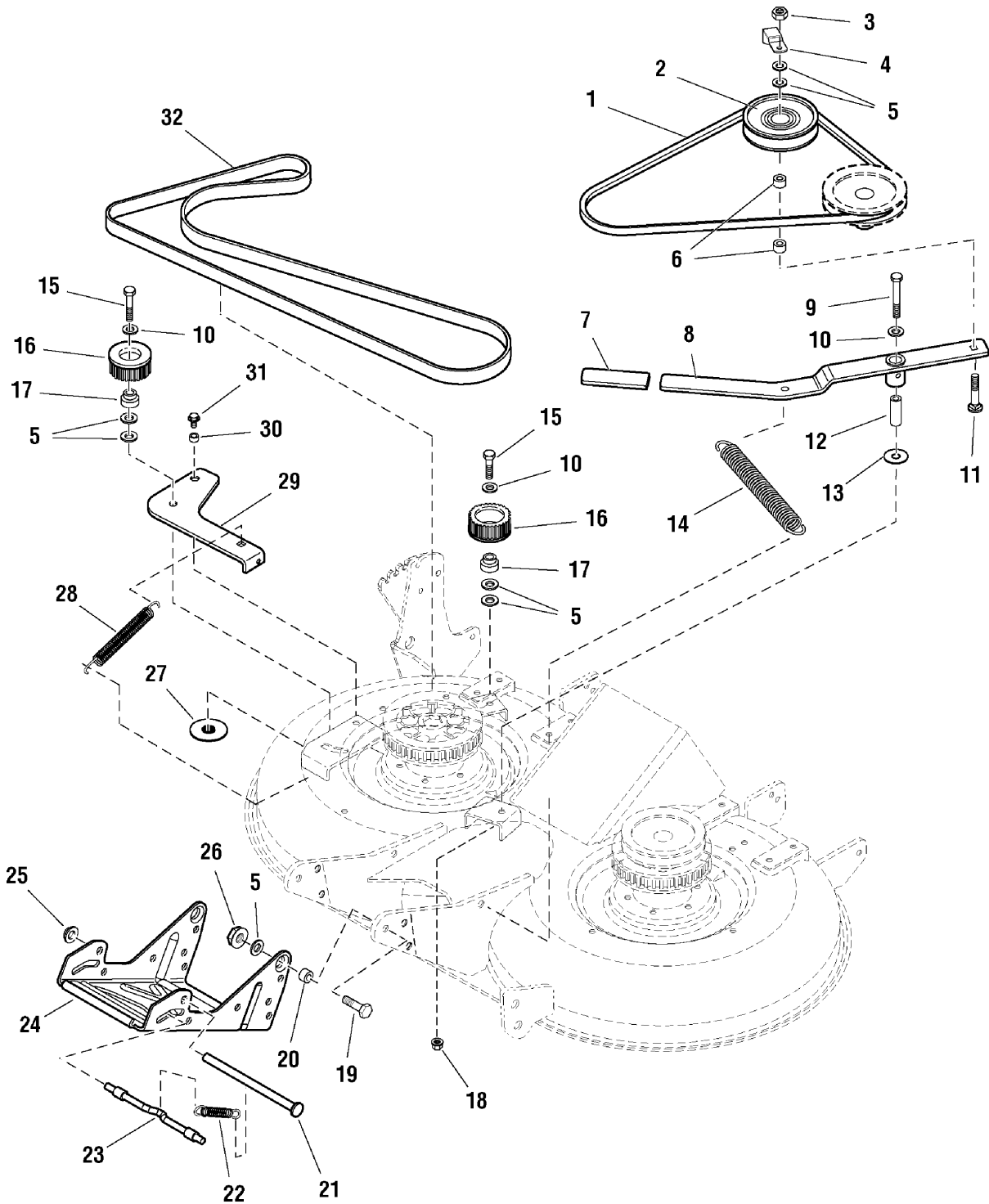
### The above parts group applies to the following Mfg. Nos.:

2690621 - Baron XL  
2690622 - Baron XL  
2690625 - 2420 XL  
2690762 - Baron  
2690772 - 2421

# 40" Mower Deck - Belt, Idle Arm & Hitch

986896

NOTE: Unless noted otherwise,  
use the standard hardware torque  
specification chart.



**The above parts group applies to the following Mfg. Nos.:**

- 1695200 - 40" Mower
- 1695201 - 40" Mower
- 2690621 - Baron XL
- 2690622 - Baron XL
- 2690625 - 2420 XL
- 2690762 - Baron
- 2690772 - 2421

## 40" Mower Deck - Belt, Idle Arm & Hitch

REF NO	PART NO.	QTY.	DESCRIPTION
1	1720444SM	1	IDLER ARM ASSEMBLY, w/Bushings
3	1715435SM	1	SPRING, Extension
4	1657242SM	1	SPACER
6	1960615SM	1	CARRIAGE BOLT, 3/8-16 x 2-1/2
7	1922755SM	3	WASHER
8	1960614SM	1	CAPSCREW, Hex Head, 3/8-16 x 3, G8
9	1933263SM	1	WASHER
10	2101096SM	1	PULLEY, 4-1/2 OD
11	1924940SM	6	WASHER
12	1732443	2	SPACER
13	1919439SM	1	NUT, Hex Lock ESNA, 3/8-16
14	1721425SM	1	WASHER & LOCK NUT ASSEMBLY, 3/8-16
15	1735714	1	V-BELT
16	1960519SM	1	NUT, Push
17	1720044ASM	1	HITCH, Mower
18	1715759SM	1	ROD
19	2156302	1	SPRING, Extension
20	2157081SM	2	SPACER
22	1928352SM	2	NUT, Hex Flange Lock, 3/8-16
21	2860681SM	2	NUT, Spiral Flange Toplock, 3/8-16
23	1921968SM	2	CAPSCREW, Hex Head, 3/8-16 1-3/8
24	1713578SM	1	ROD
25	1724626SM	1	BELT, Timing
27	1923701SM	2	CAPSCREW, Hex Head, 3/8-16 x 2
28	1731892SM	2	PULLEY, Idler
30	1674671SM	1	SPRING, Extension
31	1726387ASM	1	ARM, Idler
32	1666697SM	1	SPACER
33	1930601SM	1	CAPSCREW, Hex Head Taptite, 5/16-18 x 5/8
34	1719221SM	2	HUB, Pulley
35	1719842ASM	1	STOP, Belt

### Footnotes

---

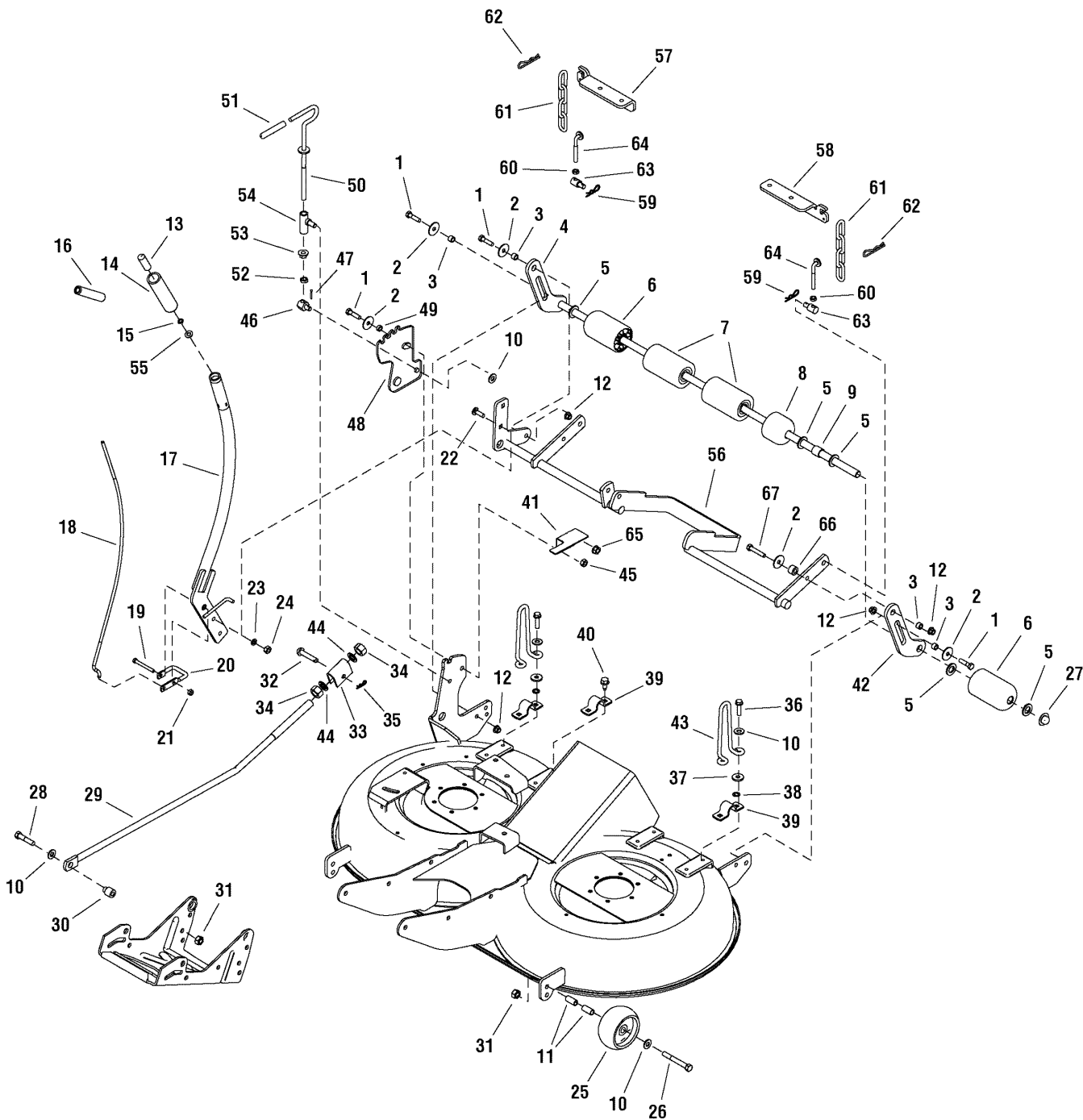
#### The above parts group applies to the following Mfg. Nos.:

1695200 - 40" Mower      2690762 - Baron  
1695201 - 40" Mower      2690772 - 2421  
2690621 - Baron XL  
2690622 - Baron XL  
2690625 - 2420 XL

# 40" Mower Deck - Height Adjustment & Roller Bar

987502

NOTE: Unless noted otherwise,  
use the standard hardware torque  
specification chart.



**The above parts group applies to the following Mfg. Nos.:**

- 1695200 - 40" Mower      2690762 - Baron
- 1695201 - 40" Mower      2690772 - 2421
- 2690621 - Baron XL
- 2690622 - Baron XL
- 2690625 - 2420 XL



## 40" Mower Deck - Height Adjustment & Roller Bar

REF NO	PART NO.	QTY.	DESCRIPTION
1	1921977SM	4	CAPSCREW, Hex Head, 5/16-18 x 1-1/4 G5
2	1960044SM	3	WASHER, 5/16
3	1960236SM	3	SPACER
4	1733081ASM	1	SHAFT & BAR ASSEMBLY, Roller
5	1924366SM	5	WASHER, 5/8
6	1722036SM	2	ROLLER, Round-End, 4.1
7	1668513SM	6	ROLLER, Flat-End, 4.1
8	1717675SM	1	ROLLER, Round-End, 2.05
9	1602946SM	1	SPACER
10	1924940SM	8	WASHER, Flat, 3/8
11	1960170	2	WASHER, Flat, 1/2
12	2860643SM	3	NUT, Hex Flange 5/16-18 Colar Lock
13	1723124SM	1	BUTTON, Red Nylon for 1/4 Rod
14	1713995SM	1	GRIP, Soft
15	1960674SM	1	NUT, Push Pal 1/4 Diameter Thread
16	1723321SM	1	SPRING, Compression
17	1732751ASM	1	HANDLE ASSEMBLY, Lift Curved
18	1732754SM	1	ROD, Curved, Latch
19	1921159SM	1	CAPSCREW, Hex Head 1/4-20 x 2-1/4 G5
20	1720599SM	1	LATCH
21	1920397SM	1	NUT, Hex Lock ESNA Light 1/4-20
22	1931335SM	2	BOLT, Carriage, 5/16-18 x 1 G5
23	1917356SM	2	LOCKWASHER, Spring 5/16
24	1917372SM	2	NUT, Hex 5/16-18
25	1714760SM	2	WHEEL
26	2108765	2	Bolt, Shoulder, 3/8-16 x 2.87
27	1960520SM	1	NUT, Push for 5/8 Diameter Stud Capped
28	1922606SM	1	CAPSCREW, Hex Head 3/8-16 x 1-3/4 G8
29	1722661SM	1	ROD, Pitch Adjust
30	1706644SM	1	SPACER, 3/8 x 3/4 x 15/16
31	2860681SM	1	NUT, Hex Toplock Spirallock Flange 3/8-16
32	2118053SM	1	PIN, Round Head Drilled 3/8 x 2
33	1706645ASM	1	TRUNNION, Pitch Adjust
34	1915726SM	2	NUT, Hex 5/8-11
35	1722460SM	1	PIN, Quick, Retaining
36	1931202SM	4	SCREW, Hex Washer Head Taptite 5/16-18 x 1-1/4
37	1919381SM	4	WASHER, 3/8
38	1933988SM	4	NUT, Push Pal 5/16 Diameter Thread
39	1665374SM	3	STRAP, Rocker Shaft
40	1664847SM	2	SCREW, Hex Washer Head Taptite 5/16-18 x 3/4
41	1720931ASM	1	BRACKET, Height of Cut
42	1734987	1	BAR, Roller
43	1719929SM	2	STOP, Up
44	1960703SM	2	WASHER, 5/8

### Footnotes

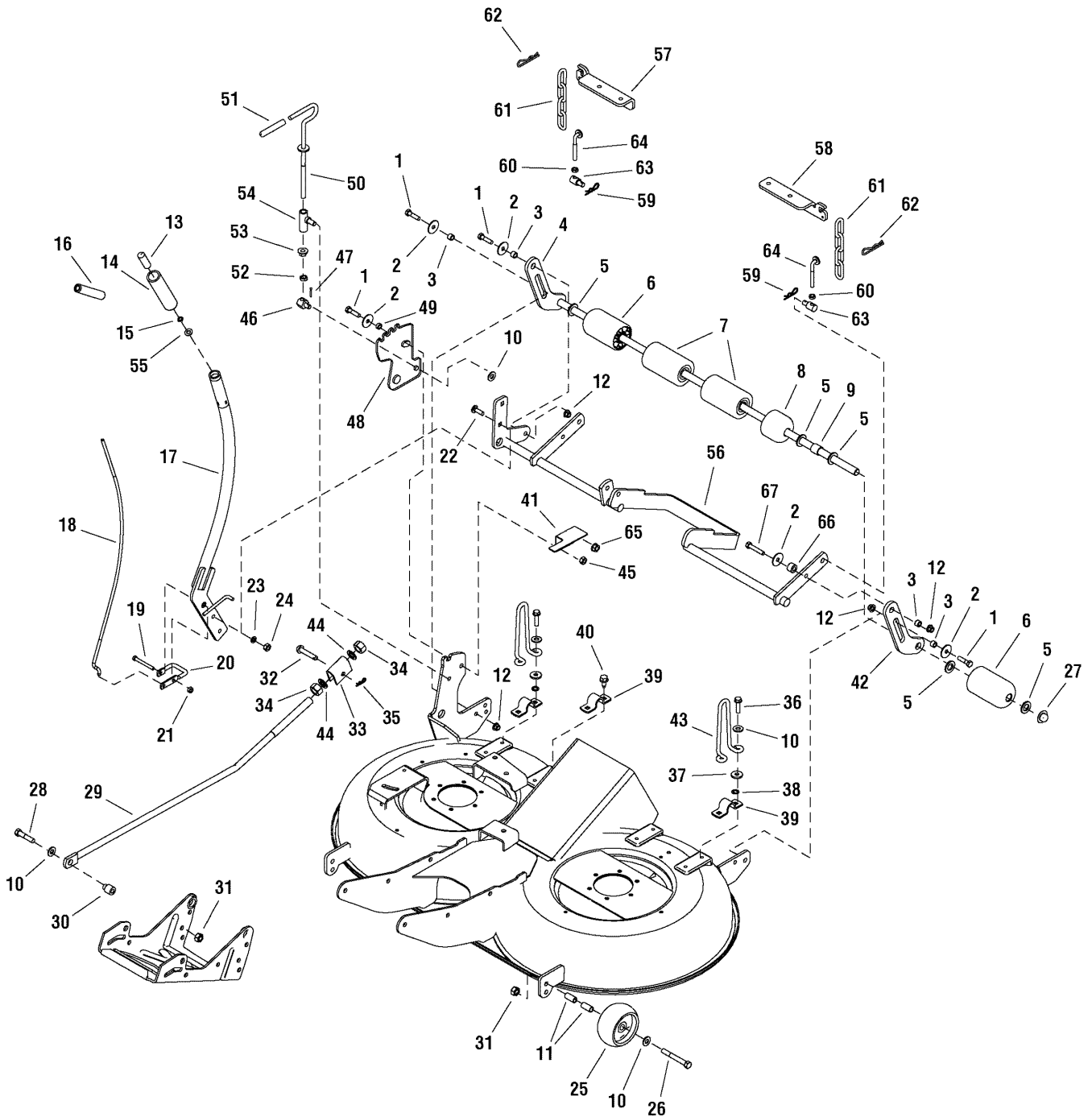
#### The above parts group applies to the following Mfg. Nos.:

1695200 - 40" Mower      2690762 - Baron  
 1695201 - 40" Mower      2690772 - 2421  
 2690621 - Baron XL  
 2690622 - Baron XL  
 2690625 - 2420 XL

# 40" Mower Deck - Height Adjustment & Roller Bar

987502

NOTE: Unless noted otherwise,  
use the standard hardware torque  
specification chart.



The above parts group applies to the following Mfg. Nos.:

- 1695200 - 40" Mower      2690762 - Baron
- 1695201 - 40" Mower      2690772 - 2421
- 2690621 - Baron XL
- 2690622 - Baron XL
- 2690625 - 2420 XL

## 40" Mower Deck - Height Adjustment & Roller Bar

REF NO	PART NO.	QTY.	DESCRIPTION
45	1919438SM	1	NUT, Hex Lock Esna Light 5/16-18
46	2108512SM	1	PIVOT, 3/4 Hex
47	1918447SM	1	PIN, Cotter, .75
48	1723409ASM	1	BRACKET, Adjusting
49	1666697SM	1	SPACER
50	1720704SM	1	ROD & WASHER ASSEMBLY
51	1651820SM	1	GRIP, Black Vinyl
52	1917421SM	1	NUT, Hex Jam 3/8-16
53	1960601SM	1	NUT, Hex Flange 3/8-16
54	2108241SM	1	GUIDE ASSEMBLY, Rod
55	1918265SM	1	WASHER, 5/16
56	1735095	1	SHAFT ASSEMBLY, Rocker
57	1727102ASM	1	HANGER, R.H.
58	1727103ASM	1	HANGER, L.H.
59	1960074SM	2	CLIP, Hair Pin
60	1920161SM	2	NUT, Hex Jam 5/16-18
61	1708088ASM	2	CHAIN, Link, 4 links
62	1960033SM	2	CLIP, Hair Pin
63	1731382SM	2	TRUNNION
64	1731384SM	2	ROD, Height Adjusting
65	1930645SM	1	NUT, Hex Flange 3/8-16 Two-Way Lock
66	1718762	1	SPACER, .70
67	1921972	1	CAPSCREW, Hex Head 5/16-18 x 2-1/2
68	1726384	.01	Locktite 410
69	1736359A	2	BAR, Extension
70	1923490	3	CAPSCREW, 3/8-16 x 1.0
71	1704082	1	NUT, Adjusting
72	1960687	6	NUT, Hex-Flange, 3/8-16, ESNA, BLK

### Footnotes

---

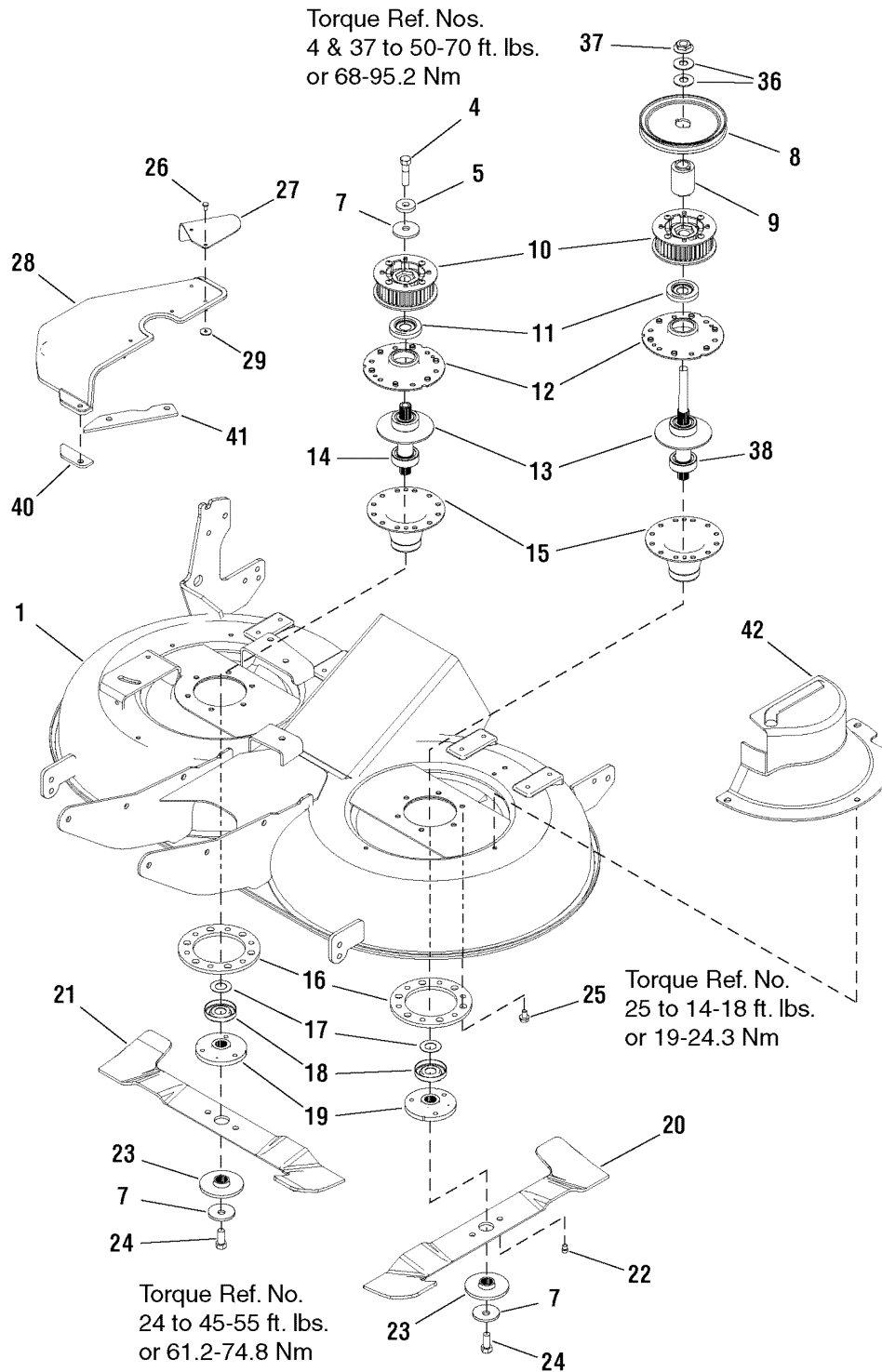
#### The above parts group applies to the following Mfg. Nos.:

1695200 - 40" Mower      2690762 - Baron  
1695201 - 40" Mower      2690772 - 2421  
2690621 - Baron XL  
2690622 - Baron XL  
2690625 - 2420 XL

# 40" Mower Deck - Housing, Arbors & Blade

987503

**NOTE:** Unless noted otherwise,  
use the standard hardware torque  
specification chart.



**The above parts group applies to the following Mfg. Nos.:**

- 1695200 - 40" Mower      2690762 - Baron
- 1695201 - 40" Mower
- 2690621 - Baron XL
- 2690622 - Baron XL
- 2690625 - 2420 XL

## 40" Mower Deck - Housing, Arbors & Blade

REF NO	PART NO.	QTY.	DESCRIPTION
1	1687321SM	1	HOUSING ASSEMBLY, 40" Orange
1	1687322SM	1	HOUSING ASSEMBLY, 40" Red
3	1664847SM	6	SCREW, Hex Washer Head Taptite 5/16-18 x 3/4
1	1687322SM	1	HOUSING ASSEMBLY, 40" Red
3	1664847SM	6	SCREW, Hex Washer Head Taptite 5/16-18 x 3/4
4	2830584SM	1	CAPSCREW, Hex Head 7/16-14 x 2-3/4 G8
5	1933263SM	1	WASHER, 7/16
4	2830584SM	1	CAPSCREW, Hex Head 7/16-14 x 2-3/4 G8
7	1656916SM	3	WASHER, Spring
5	1933263SM	1	WASHER, 7/16
7	1656916SM	3	WASHER, Spring
8	1732123SM	1	PULLEY
9	1719862SM	1	HUB
8	1732123SM	1	PULLEY
9	1719862SM	1	HUB
10	1732590SM	2	SPROCKET & FLANGE ASSEMBLY, Rivets/Screws 40"
11	1657969SM	2	SHIELD, Bearing, Mower Arbor Upoer Heat Treated
10	1732590SM	2	SPROCKET & FLANGE ASSEMBLY, Rivets/Screws 40"
12	1655729ASM	2	HOUSING, Arbor Top
11	1657969SM	2	SHIELD, Bearing, Mower Arbor Upoer Heat Treated
12	1655729ASM	2	HOUSING, Arbor Top
13	1707335SM	2	GASKET, Foam
13	1707335SM	2	GASKET, Foam
14	1722396SM	1	ARBOR SHAFT & BEARINGS ASSEMBLY, 40"
15	1703273ASM	2	HOUSING & FITTING ASSEMBLY, Lower
14	1722396SM	1	ARBOR SHAFT & BEARINGS ASSEMBLY, 40"
16	1677274ASM	2	ADAPTER, Arbor
15	1703273ASM	2	HOUSING & FITTING ASSEMBLY, Lower
16	1677274ASM	2	ADAPTER, Arbor
17	1700230SM	2	WASHER, Shim
18	1700229SM	2	SHIELD, Bearing
17	1700230SM	2	WASHER, Shim
19	1655777SM	2	ADAPTER, Blade
18	1700229SM	2	SHIELD, Bearing
19	1655777SM	2	ADAPTER, Blade
20	1727477SM	1	BLADE, Mower L.H.
20	1727477SM	1	BLADE, Mower L.H.
21	1727478SM	1	BLADE, Mower R.H.
22	1722258SM	2	PIN, Blade
21	1727478SM	1	BLADE, Mower R.H.
23	1722257SM	2	WASHER, Spline
22	1722258SM	2	PIN, Blade
23	1722257SM	2	WASHER, Spline
24	2827120SM	2	CAPSCREW, Hex Head 7/16-14 x 2-1/4 G8
25	1960373SM	12	SCREW, Hex Washer Head Taptite 5/16-18 x 1

### Footnotes

---

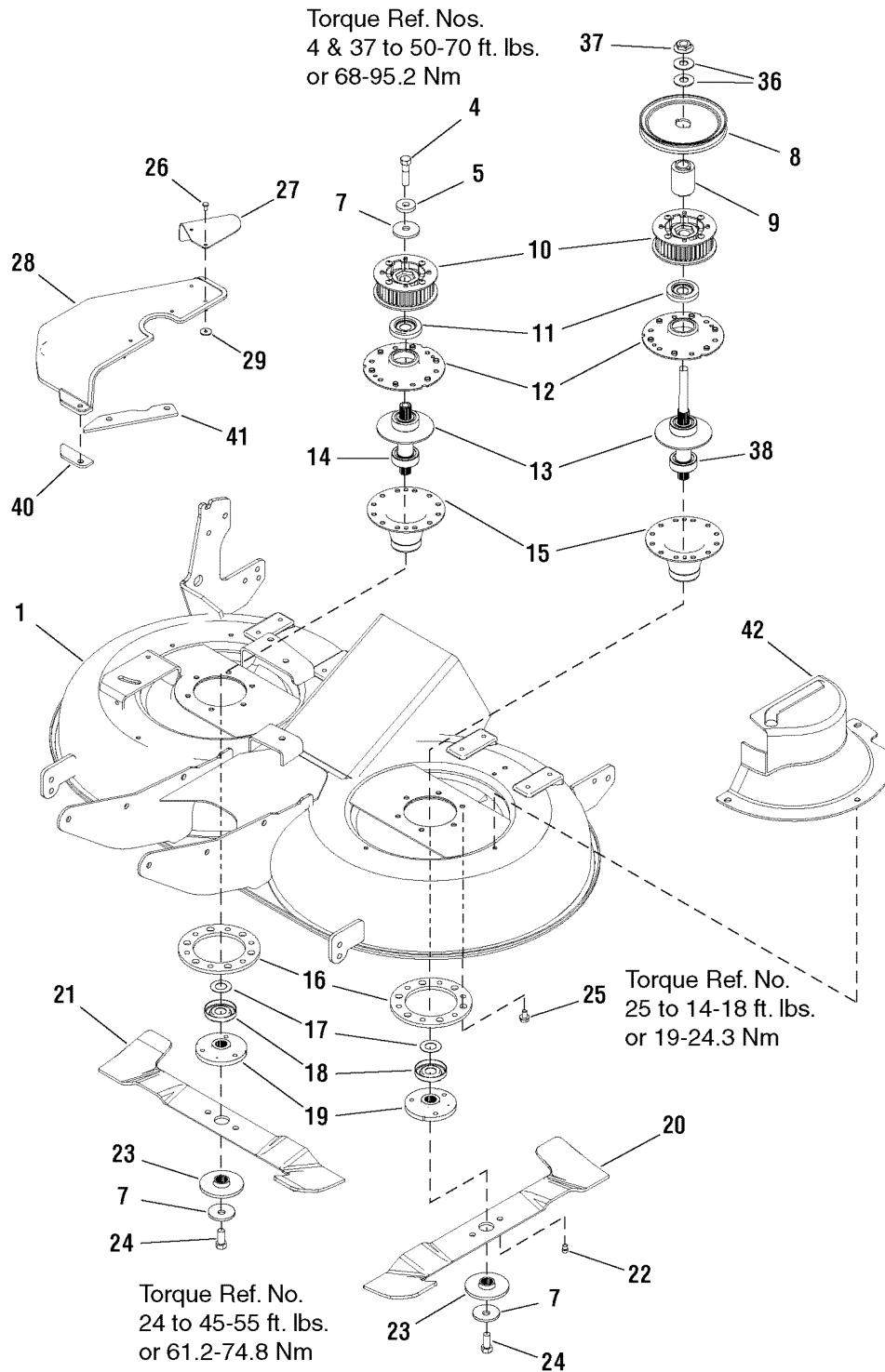
#### The above parts group applies to the following Mfg. Nos.:

1695200 - 40" Mower      2690762 - Baron  
1695201 - 40" Mower  
2690621 - Baron XL  
2690622 - Baron XL  
2690625 - 2420 XL

# 40" Mower Deck - Housing, Arbors & Blade

987503

**NOTE:** Unless noted otherwise,  
use the standard hardware torque  
specification chart.



**The above parts group applies to the following Mfg. Nos.:**

2690772 - 2421

## 40" Mower Deck - Housing, Arbors & Blade

REF NO	PART NO.	QTY.	DESCRIPTION
1	1687321SM	1	HOUSING ASSEMBLY, 40" Orange
1	1687322SM	1	HOUSING ASSEMBLY, 40" Red
3	1664847SM	6	SCREW, Hex Washer Head Taptite 5/16-18 x 3/4
1	1687322SM	1	HOUSING ASSEMBLY, 40" Red
3	1664847SM	6	SCREW, Hex Washer Head Taptite 5/16-18 x 3/4
4	2830584SM	1	CAPSCREW, Hex Head 7/16-14 x 2-3/4 G8
5	1933263SM	1	WASHER, 7/16
4	2830584SM	1	CAPSCREW, Hex Head 7/16-14 x 2-3/4 G8
7	1656916SM	3	WASHER, Spring
5	1933263SM	1	WASHER, 7/16
7	1656916SM	3	WASHER, Spring
8	1732123SM	1	PULLEY
9	1719862SM	1	HUB
8	1732123SM	1	PULLEY
9	1719862SM	1	HUB
10	1732590SM	2	SPROCKET & FLANGE ASSEMBLY, Rivets/Screws 40"
11	1657969SM	2	SHIELD, Bearing, Mower Arbor Upoer Heat Treated
10	1732590SM	2	SPROCKET & FLANGE ASSEMBLY, Rivets/Screws 40"
12	1655729ASM	2	HOUSING, Arbor Top
11	1657969SM	2	SHIELD, Bearing, Mower Arbor Upoer Heat Treated
12	1655729ASM	2	HOUSING, Arbor Top
13	1707335SM	2	GASKET, Foam
13	1707335SM	2	GASKET, Foam
14	1722396SM	1	ARBOR SHAFT & BEARINGS ASSEMBLY, 40"
15	1703273ASM	2	HOUSING & FITTING ASSEMBLY, Lower
14	1722396SM	1	ARBOR SHAFT & BEARINGS ASSEMBLY, 40"
16	1677274ASM	2	ADAPTER, Arbor
15	1703273ASM	2	HOUSING & FITTING ASSEMBLY, Lower
16	1677274ASM	2	ADAPTER, Arbor
17	1700230SM	2	WASHER, Shim
18	1700229SM	2	SHIELD, Bearing
17	1700230SM	2	WASHER, Shim
19	1655777SM	2	ADAPTER, Blade
18	1700229SM	2	SHIELD, Bearing
19	1655777SM	2	ADAPTER, Blade
20	1727477SM	1	BLADE, Mower L.H.
20	1727477SM	1	BLADE, Mower L.H.
21	1727478SM	1	BLADE, Mower R.H.
22	1722258SM	2	PIN, Blade
21	1727478SM	1	BLADE, Mower R.H.
23	1722257SM	2	WASHER, Spline
22	1722258SM	2	PIN, Blade
23	1722257SM	2	WASHER, Spline
24	2827120SM	2	CAPSCREW, Hex Head 7/16-14 x 2-1/4 G8
25	1960373SM	12	SCREW, Hex Washer Head Taptite 5/16-18 x 1

### Footnotes

The above parts group applies to the following Mfg. Nos.:

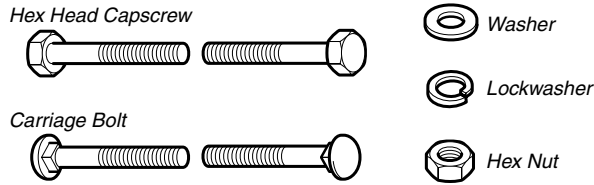
2690772 - 2421





# Hardware Identification & Torque Specifications

## Common Hardware Types

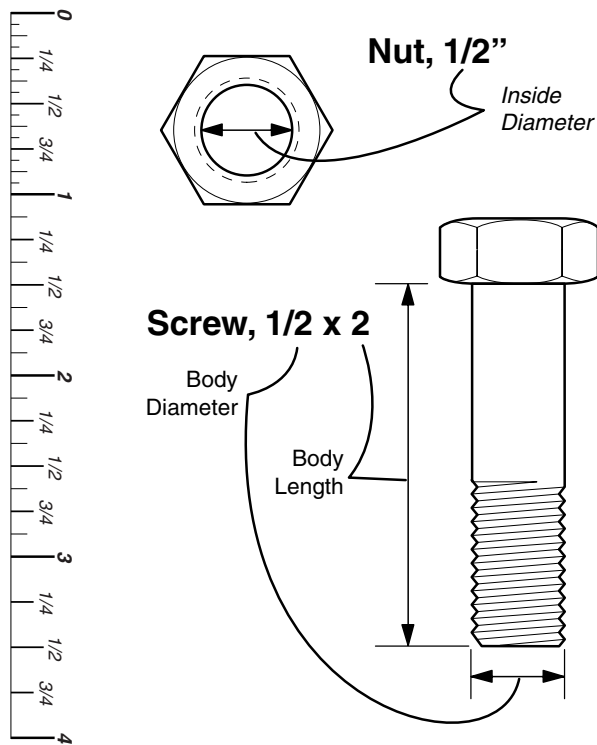


## Standard Hardware Sizing

When a washer or nut is identified as 1/2", this is the *Nominal size*, meaning the *inside diameter* is 1/2 inch; if a second number is present it represents the *threads per inch*

When bolt or capscrew is identified as 1/2 - 16 x 2", this means the *Nominal size*, or *body diameter* is 1/2 inch; the second number represents the *threads per inch* (16 in this example, and the final number is the *body length* of the bolt or screw (in this example 2 inches long).

**The guides and ruler furnished below are designed to help you select the appropriate hardware and tools.**



Torque Specification Chart						
FOR STANDARD MACHINE HARDWARE (Tolerance ± 20%)						
Hardware Grade	No Marks SAE Grade 2		SAE Grade 5		SAE Grade 8	
	in/lbs ft/lbs	Nm.	in/lbs ft/lbs	Nm.	in/lbs ft/lbs	Nm.
8-32	19	2.1	30	3.4	41	4.6
8-36	20	2.3	31	3.5	43	4.9
10-24	27	3.1	43	4.9	60	6.8
10-32	31	3.5	49	5.5	68	7.7
1/4-20	66	7.6	8	10.9	12	16.3
1/4-28	76	8.6	10	13.6	14	19.0
5/16-18	11	15.0	17	23.1	25	34.0
5/16-24	12	16.3	19	25.8	27	34.0
3/8-16	20	27.2	30	40.8	45	61.2
3/8-24	23	31.3	35	47.6	50	68.0
7/16-14	30	40.8	50	68.0	70	95.2
7/16-20	35	47.6	55	74.8	80	108.8
1/2-13	50	68.0	75	102.0	110	149.6
1/2-20	55	74.8	90	122.4	120	163.2
9/16-12	65	88.4	110	149.6	150	204.0
9/16-18	75	102.0	120	163.2	170	231.2
5/8-11	90	122.4	150	204.0	220	299.2
5/8-18	100	136	180	244.8	240	326.4
3/4-10	160	217.6	260	353.6	386	525.0
3/4-16	180	244.8	300	408.0	420	571.2
7/8-9	140	190.4	400	544.0	600	816.0
7/8-14	155	210.8	440	598.4	660	897.6
1-8	220	299.2	580	788.8	900	1,244.0
1-12	240	326.4	640	870.4	1,000	1,360.0

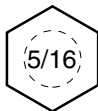
### NOTES

- These torque values are to be used for all hardware excluding: locknuts, self-tapping screws, thread forming screws, sheet metal screws and socket head setscrews.
- Recommended seating torque values for locknuts:
  - for prevailing torque locknuts - use 65% of grade 5 torques.
  - for flange whizlock nuts and screws - use 135% of grade 5 torques.
- Unless otherwise noted on assembly drawings, all torque values must meet this specification.

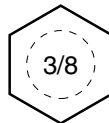
## Wrench & Fastener Size Guide



1/4" Bolt or Nut  
Wrench—7/16"



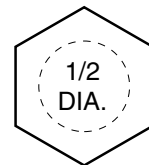
5/16" Bolt or Nut  
Wrench—1/2"



3/8" Bolt or Nut  
Wrench—9/16"



7/16" Bolt or Nut  
Wrench (Bolt)—5/8"  
Wrench (Nut)—11/16"



1/2" Bolt or Nut  
Wrench—3/4"

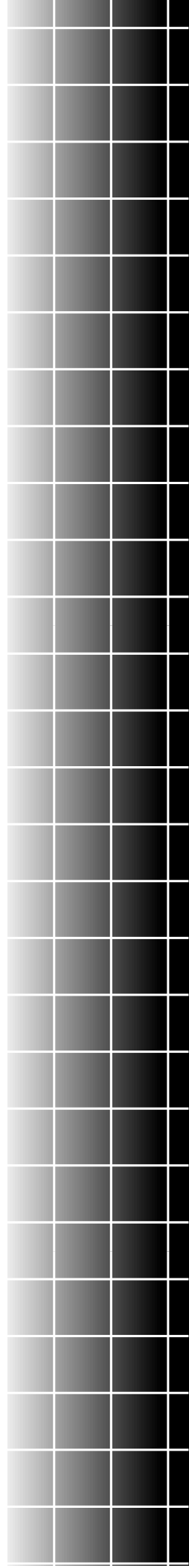
***Simplicity***

---

MANUFACTURING, INC.  
500 N. Spring Street / PO Box 997  
Port Washington, WI 53074-0997 USA

[www.simplicitymfg.com](http://www.simplicitymfg.com)

Briggs and Stratton Yard Power Products Group  
Copyright © 2008 by Briggs and Stratton Corporation  
Milwaukee, WI, USA. All rights reserved



## Free Manuals Download Website

<http://myh66.com>

<http://usermanuals.us>

<http://www.somanuals.com>

<http://www.4manuals.cc>

<http://www.manual-lib.com>

<http://www.404manual.com>

<http://www.luxmanual.com>

<http://aubethermostatmanual.com>

Golf course search by state

<http://golfingnear.com>

Email search by domain

<http://emailbydomain.com>

Auto manuals search

<http://auto.somanuals.com>

TV manuals search

<http://tv.somanuals.com>