

# Attachment Illustrated Parts List



## Attachment

Mfg. No.	Description
1695419	Tiller 36"

## **Simplicity**

MANUFACTURING, INC.  
500 N. Spring Street / PO Box 997  
Port Washington, WI 53074-0997 USA

[www.simplicitymfg.com](http://www.simplicitymfg.com)

© Copyright 2007 Simplicity Manufacturing, Inc. All Rights Reserved. Printed In USA.

Part No.: 1723861

Rev. 11/2007

TP 400-4808-00-AT-SMA

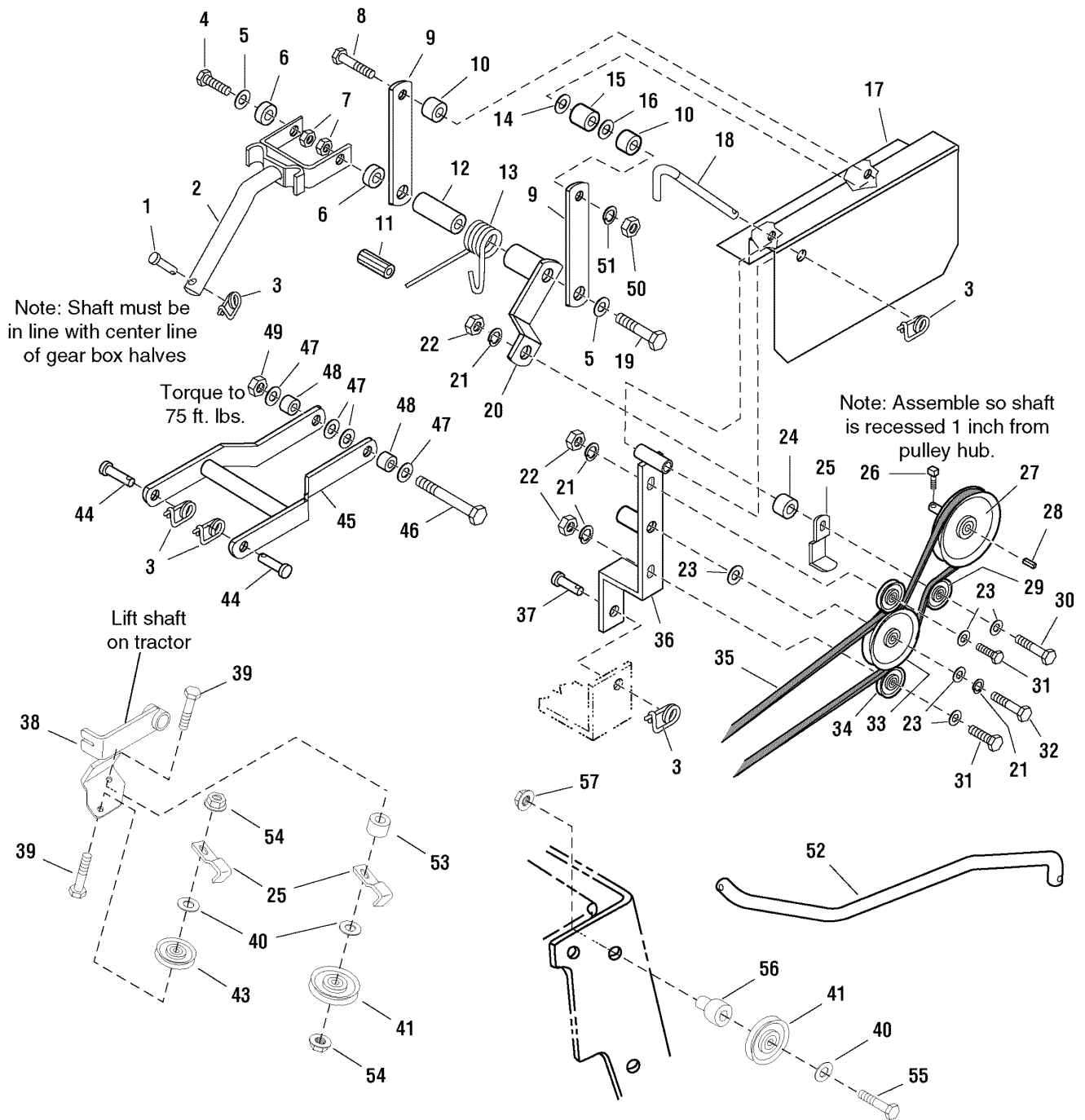


<b>PRODUCT COMPONENTS</b>	<b>PAGES</b>
Drive Group .....	4
Housing Group .....	8
Lift Group .....	10
Tine & Deflector Group .....	12
<b>Torque Specification Chart .....</b>	<b>Inside Back Cover</b>

# Drive Group

987907

**NOTE:** Unless noted otherwise,  
use the standard hardware torque  
specification chart.



The above parts group applies to the following Mfg. Nos.:  
1695419 - Tiller 36"

## Drive Group

REF NO	PART NO.	QTY.	DESCRIPTION
1	2118053SM	1	PIN, Round Head Drilled, 3/8 x 2
2	1707569ASM	1	LIFT ASSEMBLY
3	2176012SM	5	PIN, Spring Retainer
4	2823471SM	1	CAPSCREW, Hex Head, 7/16-14 x 1-1/4, Black
5	1925125SM	2	WASHER, 7/16
6	2105346SM	2	SPACER
7	1930650SM	2	NUT, Hex Flange Lock, 7/16-14, Black
8	1923141SM	1	CAPSCREW, Hex Head, 5/16-18 x 2-3/4, Black
9	2105359ASM	2	SUPPORT, Rear Belt Guard
10	1704716SM	2	SPACER
11	1707599SM	1	ANCHOR, Spring
12	2105339ASM	1	SPACER
13	1707593SM	1	SPRING, Torsion
14	2860171SM	1	WASHER, Special, Nylon
15	1666106SM	1	BUSHING, .343" x .750" x 1.060"
16	1919326SM	1	WASHER, 5/16, Black
17	1707564ASM	1	COVER, Belt
18	1657562SM	1	ROD
19	1930585SM	1	CAPSCREW, Hex Head, 7/16-14 x 3-1/2, G8
20	2105295ASM	1	ARM & HUB ASSEMBLY
21	1916965SM	6	LOCKWASHER, 3/8, Black
22	1960687SM	3	NUT, Hex, 3/8-16, Black
23	1924940SM	2	WASHER, 3/8, Black
24	1709923SM	1	SPACER
25	1708352ASM	3	GUARD, Spring
26	1960474SM	1	SCREW, Set Square Head, Cup Point, 3/8-16 x 1/2
27	1723854SM	1	PULLEY, 7.96" OD x .752" ID, w/.562" GROOVE, w/HUB
28	2157427SM	1	KEY, Parellel
29	1721133SM	1	PULLEY, Idler, 2.75" OD x .377" ID x .87 WD
30	1923938SM	1	CAPSCREW, Hex Head, 3/8-16 x 3-1/2, Black
31	1921971SM	2	CAPSCREW, Hex Head, 3/8-16 x 1-3/4, Black
32	1920415SM	1	CAPSCREW, Hex Head, 3/8-16 x 1-1/4, Black
33	1706510SM	1	PULLEY, Idler, 4" OD x .375" ID x .83" WD
34	1706511SM	2	PULLEY, Idler, 1.875" OD x .375" ID x .97" WD
35	1723478SM	1	V-BELT, 167.40" Long
36	1708961ASM	1	SHAFT & SUPPORT ASSEMBLY
37	1708298SM	1	PIN, Round Head Drilled, 3/8 x 1, Black
38	1735064ASM	1	ARM ASSEMBLY, Tiller Idler
39	1922130SM	2	CAPSCREW, Hex Head, .375-16 x 2-1/4
40	1922755SM	3	WASHER, 3/8, Black
41	1724387SM	1	PULLEY, Idler, 4.00" OD x .669" ID x 1WD, w/Bearing
43	1721134SM	1	PULLEY, 3" OD x .378" ID x .75" WD, w/Bearing
44	2155037SM	2	PIN, Round Head Drilled, 7/16 x 1-3/4
45	1651844ASM	1	FRAME ASSEMBLY

### Footnotes

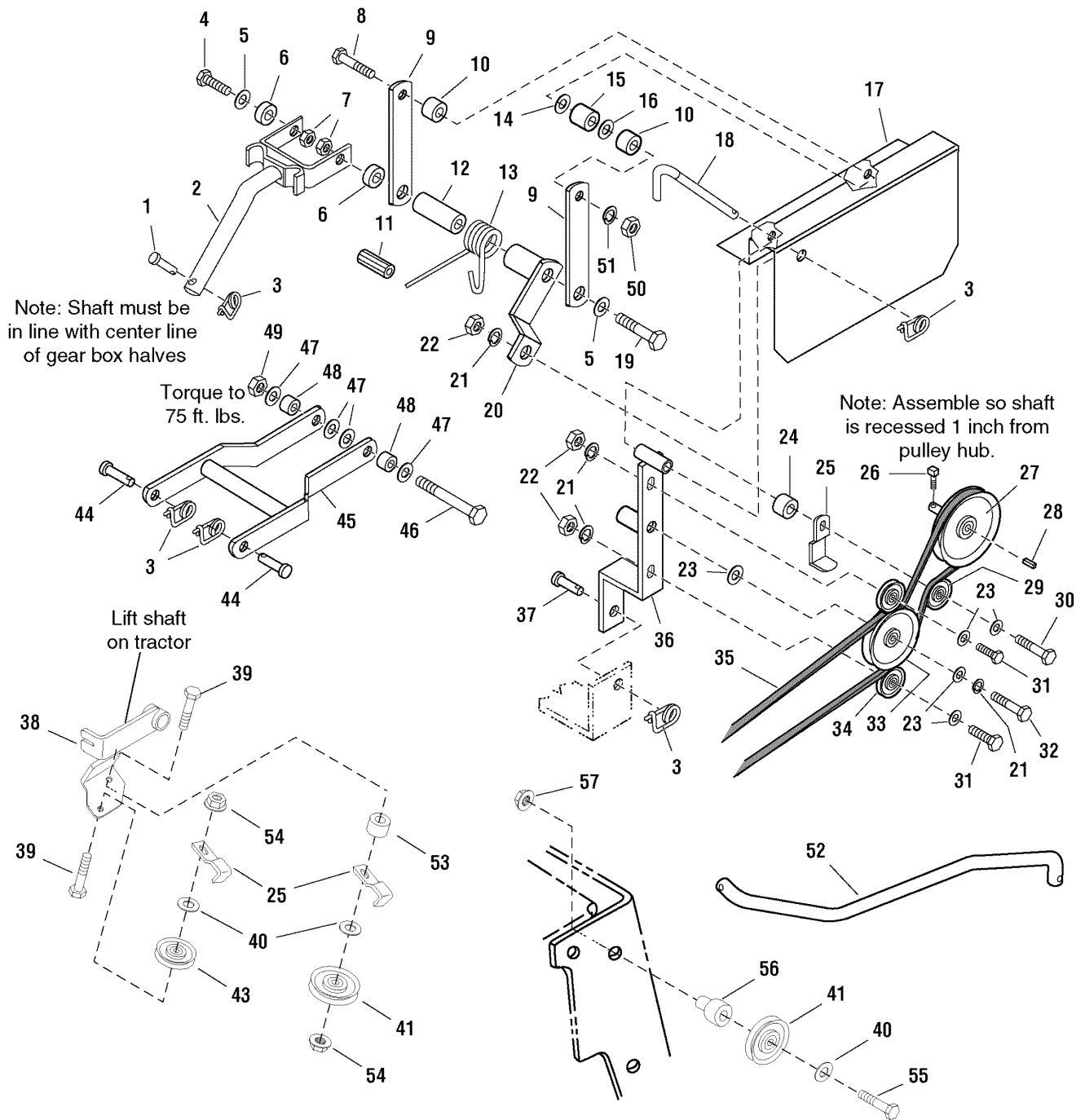
The above parts group applies to the following Mfg. Nos.:

1695419 - Tiller 36"

# Drive Group

987907

**NOTE:** Unless noted otherwise,  
use the standard hardware torque  
specification chart.



The above parts group applies to the following Mfg. Nos.:  
1695419 - Tiller 36"

## Drive Group

---

REF NO	PART NO.	QTY.	DESCRIPTION
46	1926159SM	1	CAPSCREW, Hex Head, 1/2-13 x 5, G8 Black
47	1924361SM	4	WASHER, 1/2, Black
48	2105386SM	2	SPACER
49	1930644SM	1	NUT, Hex Flange Lock, 1/2-13, Black
50	1917372SM	1	NUT, Hex, 5/16-18, Black
51	1917356SM	1	LOCKWASHER, 5/16, Black
52	1735052SM	1	ROD, Diff Lock, 15" Long
53	1667812SM	1	SPACER
54	1960687SM	2	NUT, Flange, ESNA, 3/8-16
55	1921972SM	1	CAPSCREW, 3/8-16 x 2-1/2
56	1706644SM	1	SPACER
57	1928352SM	1	NUT, Flange, 3/8-16

## Footnotes

---

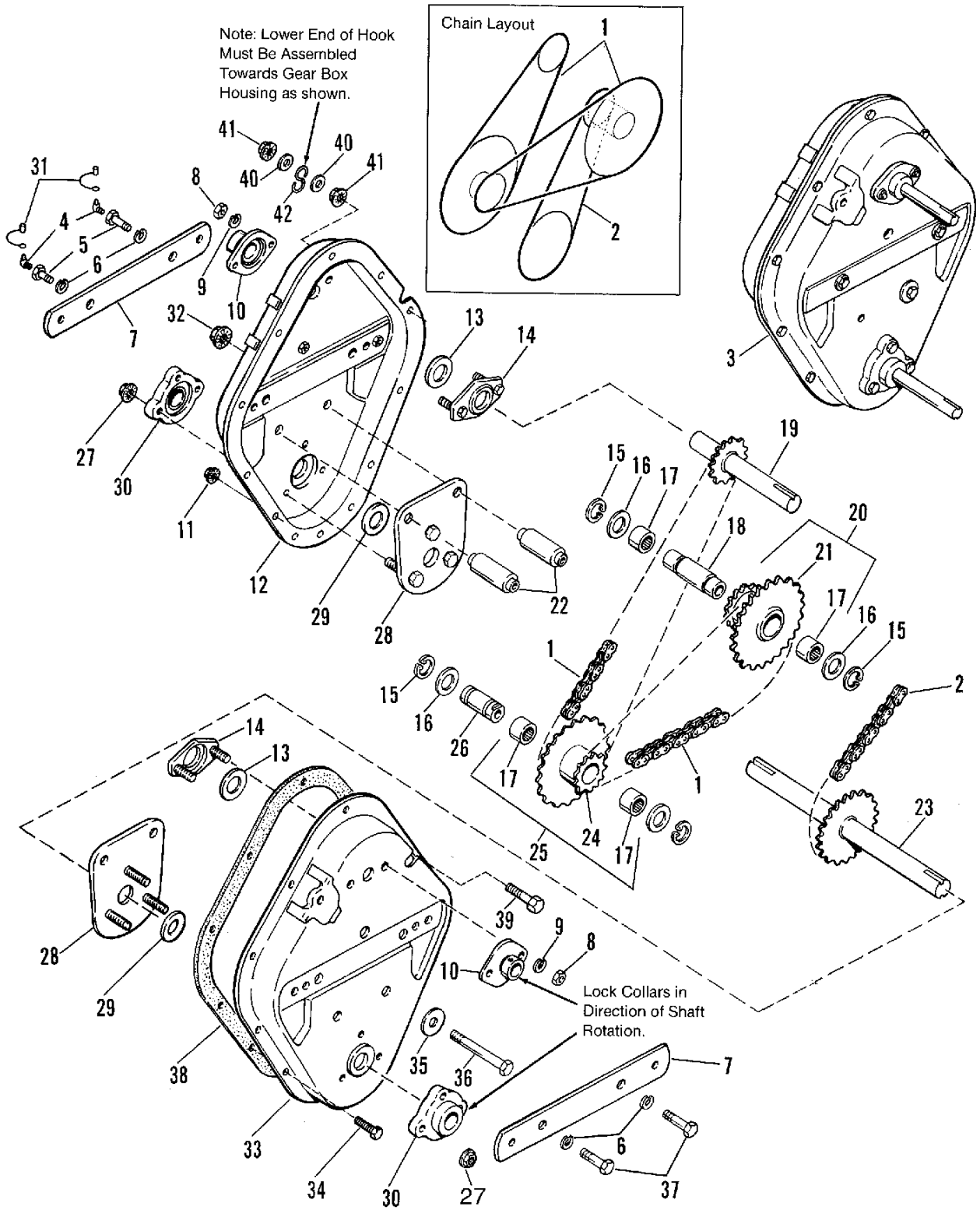
**The above parts group applies to the following Mfg. Nos.:**

1695419 - Tiller 36"

# Housing Group

984364

**NOTE:** Unless noted otherwise, use the standard hardware torque specification chart.



The above parts group applies to the following Mfg. Nos.:  
1695419 - Tiller 36"



## Housing Group

REF NO	PART NO.	QTY.	DESCRIPTION
1	2105336SM	2	CHAIN, # 40
2	2178174SM	1	CHAIN, # 50
3	1650841SM	1	TRANSMISSION SUB ASSEMBLY (Incl. Ref. Nos. 1-16, 18-38 on this page) & Incls. Ref. Nos. 1-5,7,11,17,18,19,34,36 & 38 in the 36" Tiller Drive Group)
4	2815019SM	2	FITTING, Grease
5	2105132SM	2	BOLT, Hex Head, Drilled & Tapped
6	1916966SM	4	LOCKWASHER, 1/2
7	2105320ASM	2	BAR, Side
8	1917372SM	4	NUT, Hex, 5/16-1
9	1917356SM	4	LOCKWASHER, 5/16
10	1669337SM	2	BEARING
11	1923362SM	13	LOCKNUT, 5/16-18
12	2105366ASM	1	CASE ASSEMBLY, Half, R.H.
13	2105365SM	2	SEAL
14	1669338SM	2	PLATE ASSEMBLY, Upper Bearing
15	2827320SM	4	RING, Retaining
16	2860208SM	4	WASHER, 1
18	2105192SM	1	SPACER, Inter.
19	2105298SM	1	SHAFT ASSEMBLY, Pulley
20	1650975SM	1	SPROCKET & BEARING ASSEMBLY, (Incl. Ref. Nos. 17 & 21)
25	1650976SM	1	SPROCKET & BEARING ASSEMBLY, (Incl. Ref. Nos. 17 & 24)
17	2105195SM	4	BEARING, Roller
21	*	1	SPROCKET ASSEMBLY, (See Ref. No. 20)
22	2105360SM	2	SPACER
23	2178177SM	1	SHAFT ASSEMBLY, Tine
24	*	1	SPROCKET (See Ref. No. 25)
26	2105292SM	1	SPACER, Internal
27	1930645SM	6	LOCKNUT, Hex, Jam, 3/8-16
28	1669298SM	2	PLATE ASSEMBLY
29	2105357SM	2	SEAL
30	2105309SM	2	BEARING
31	2105363SM	2	CAP, Grease
32	1930644SM	2	LOCKNUT, Flange, 1/2-13
33	2105367ASM	1	CASE ASSEMBLY, Half, L.H.
34	1925205SM	13	CAPSCREW, Hex Head, 5/16-18 x 5/8
35	1918431SM	1	WASHER, 1/2
36	1926158SM	1	CAPSCREW, Hex Head, 1/2-13 x 4
37	1929528SM	2	CAPSCREW, Hex Head, 1/2-20 x 1
38	2105373SM	1	GASKET
39	1921977SM	1	CAPSCREW, Hex Head, 5/16-1 8 x 1-1 /4
40	1924940SM	2	WASHER, 3/8
41	1935048SM	2	LOCKNUT, Flange, 5/16-18
42	1679204SM	1	HOOK, "S"

### Footnotes

Note\* Not a servicable part.

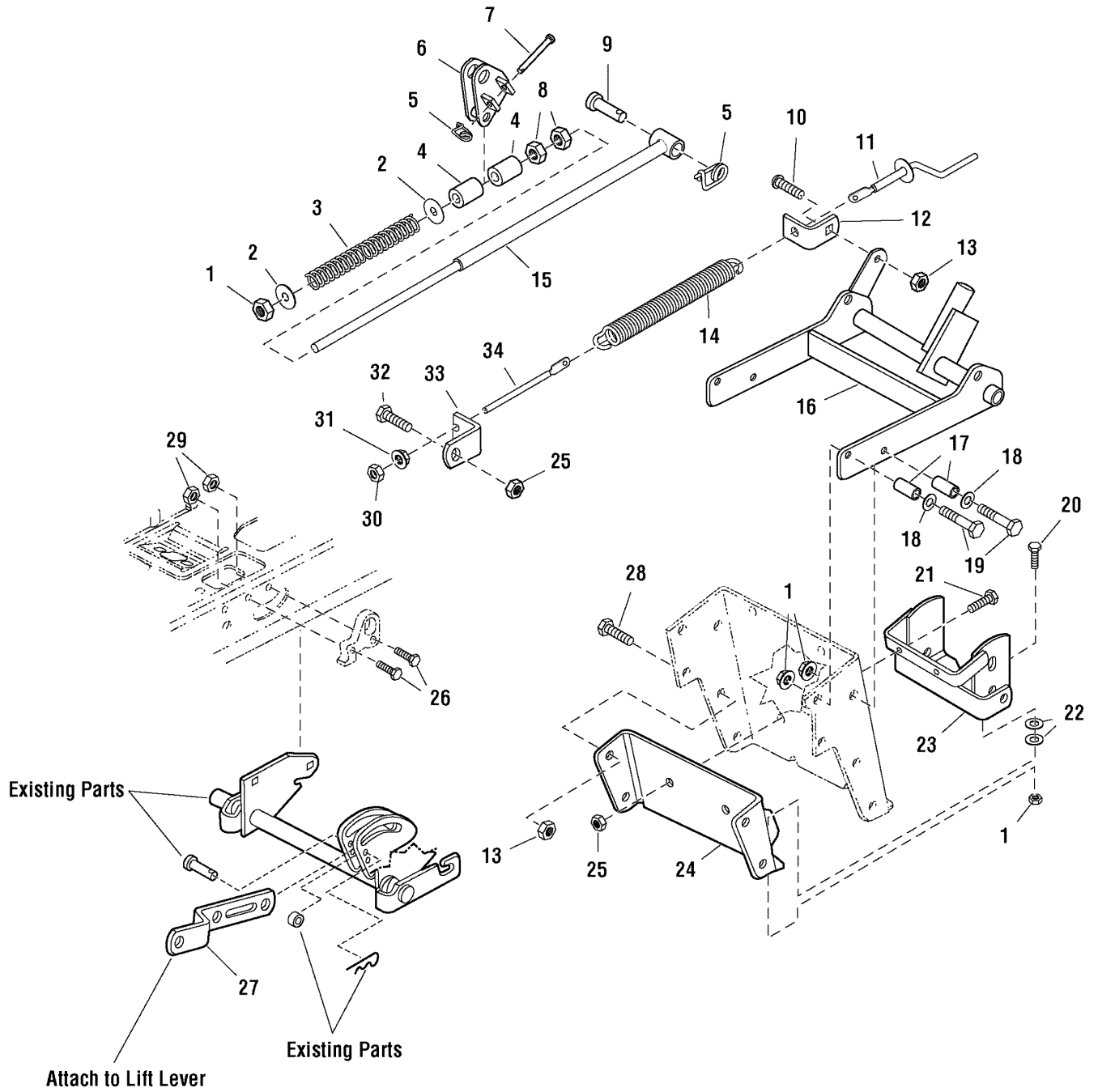
**The above parts group applies to the following Mfg. Nos.:**

1695419 - Tiller 36"

# Lift Group

986147

**NOTE:** Unless noted otherwise,  
use the standard hardware torque  
specification chart.



**The above parts group applies to the following Mfg. Nos.:**

1695419 - Tiller 36"

## Lift Group

REF NO	PART NO.	QTY.	DESCRIPTION
1	1960355SM	7	NUT, Hex Lock ESNA, 1/2-13
2	1926192SM	2	WASHER, 1/2
3	2171011SM	1	SPRING, Compression
4	1668662SM	2	SPACER, .52" x .738"
5	2176012SM	2	RETAINER, Pin
6	1723790ASM	1	LEVER ASSEMBLY, Rear Hitch
7	2105249SM	1	PIN, Round Head Drilled, 3/8 x 2-3/8
8	1916951SM	2	NUT, Hex, 1/2-13
9	1960038SM	1	PIN, Yoke, Drilled, 5/8 x 1-13/16
10	1931350SM	1	CARRIAGE BOLT, 3/8-16 x 1
11	1723840ASM	1	CRANK & WASHER ASSEMBLY
12	1723841ASM	1	BRACKET
13	1919439SM	4	NUT, Hex Lock ESNA, 3/8-16
14	1723412SM	1	SPRING, Extension
15	1686941SM	1	ROD & TUBE ASSEMBLY
16	1723107ASM	1	HITCH ASSEMBLY
17	1709235SM	4	SPACER
18	1924361SM	4	WASHER, 1/2
19	1921024SM	4	CAPSCREW, Hex Head, 1/2-13 x 2
20	1920328SM	2	CAPSCREW, Hex Head, 1/2-13 x 1-1/2
21	1921977SM	2	CAPSCREW, Hex Head, 1/2-13 x 1-1/4
22	1960170SM	4	WASHER, 1/2
23	1707470ASM	1	HITCH ASSEMBLY
24	1722608ASM	1	DRAWBAR & WASHER ASSEMBLY
25	1919438SM	2	NUT, Hex Lock ESNA, 5/16-18
26	1926149SM	2	CAPSCREW, Hex Head, 5/16-18 x 1, G8
27	1723795ASM	1	BAR, Lift Link
28	1921210SM	4	CAPSCREW, Hex Head, 3/8-16 x 1
29	1927557SM	2	NUT, Hex Whiz Lock, 5/16
30	1924650SM	1	NUT, Hex Centerlock Jam, 1/2-13
31	1960515SM	1	NUT, Hex Flange, 1/2-13
32	1921333SM	1	CAPSCREW, Hex Hed, 5/16-18 x 1
33	1723842ASM	1	BRACKET
34	1723844SM	1	ROD, Threaded

## Footnotes

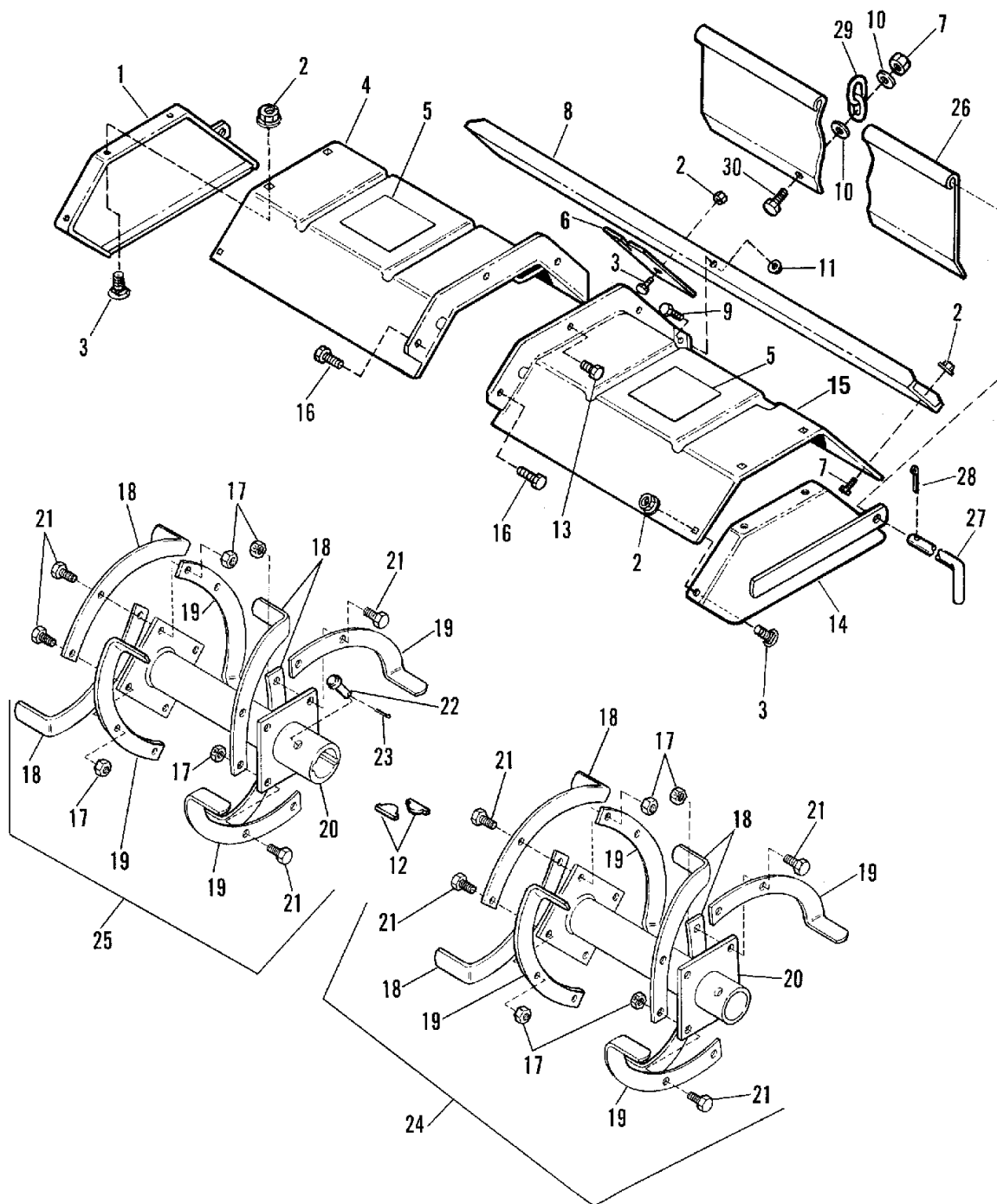
The above parts group applies to the following Mfg. Nos.:

1695419 - Tiller 36"

## Tine & Deflector Group

984363

NOTE: Unless noted otherwise,  
use the standard hardware torque  
specification chart.



The above parts group applies to the following Mfg. Nos.:

1695419 - Tiller 36"

## Tine & Deflector Group

REF NO	PART NO.	QTY.	DESCRIPTION
1	1707990ASM	1	PLATE, End, R.H.
2	1927557SM	15	LOCKNUT, Flange, 5/16-18
3	1931332SM	8	CARRIAGE BOLT, 5/16-18 x 5/8
4	2105369ASM	1	DEFLECTOR ASSEMBLY, R.H.
5	1679700SM	2	DECAL, Safety
6	2105354ASM	1	SHIELD
7	1930642SM	1	NUT, Hex Head, Flange, 1/4-20
8	1707938ASM	1	CHANNEL
9	1921210SM	2	CAPSCREW, Hex Head, 3/8-16 x 1
10	1960353SM	2	WASHER
11	1930645SM	2	NUT, Hex, Flange, 3/8-16
12	2105337SM	4	KEY
13	1933260SM	2	SCREW, Hex, Whizlock, 3/8-16 x 3/4
14	1707991ASM	1	PLATE, End, L.H.
15	2105370ASM	1	DEFLECTOR ASSEMBLY, L.H.
16	1934654SM	4	CAPSCREW, Hex, Whizlock, 3/8-16 x 1
17	1928867SM	16	LOCKNUT, 7/16-20
18	2105376ASM	8	BLADE, Tine, R.H.
19	2105375ASM	8	BLADE, Tine, L.H.
20	1651504ASM	2	HUB & PLATE ASSEMBLY
21	1920353SM	16	CAPSCREW, Hex Head, 7/16-20 x 1-1/2
22	2105249SM	2	PIN
23	1918451SM	2	PIN, Cotter
24	1650461SM	1	BLADE ASSEMBLY, L.H.
25	1650460SM	1	BLADE ASSEMBLY, R.H.
26	1707945A	1	DEFLECTOR
27	1707939SM	1	ROD
28	1918448SM	1	PIN, Cotter
29	1707951A	1	CHAIN
30	1924009SM	1	CAPSCREW, Hex Head, 1/4-20 x 7/8

### Footnotes

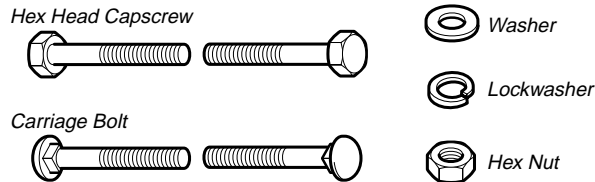
The above parts group applies to the following Mfg. Nos.:

1695419 - Tiller 36"



# Hardware Identification & Torque Specifications

## Common Hardware Types

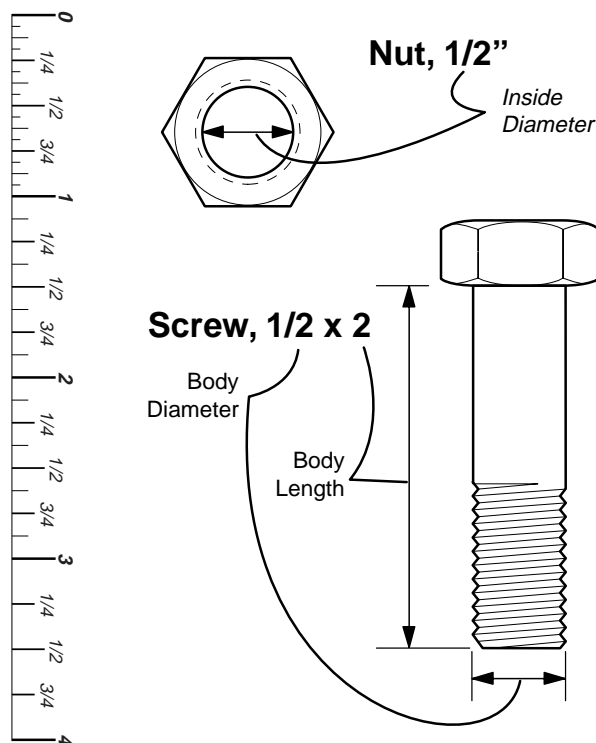


## Standard Hardware Sizing

When a washer or nut is identified as **1/2"**, this is the *Nominal size*, meaning the *inside diameter* is 1/2 inch; if a second number is present it represent the *threads per inch*

When bolt or capscrew is identified as **1/2 - 16 x 2"**, this means the *Nominal size*, or *body diameter* is 1/2 inch; the second number represents the *threads per inch* (16 in this example, and the final number is the *body length* of the bolt or screw (in this example 2 inches long).

**The guides and ruler furnished below are designed to help you select the appropriate hardware and tools.**



Torque Specification Chart						
FOR STANDARD MACHINE HARDWARE (Tolerance ± 20%)						
Hardware Grade	No Marks SAE Grade 2		SAE Grade 5		SAE Grade 8	
	in/lbs ft/lbs	Nm.	in/lbs ft/lbs	Nm.	in/lbs ft/lbs	Nm.
8-32	19	2.1	30	3.4	41	4.6
8-36	20	2.3	31	3.5	43	4.9
10-24	27	3.1	43	4.9	60	6.8
10-32	31	3.5	49	5.5	68	7.7
1/4-20	66	7.6	8	10.9	12	16.3
1/4-28	76	8.6	10	13.6	14	19.0
5/16-18	11	15.0	17	23.1	25	34.0
5/16-24	12	16.3	19	25.8	27	34.0
3/8-16	20	27.2	30	40.8	45	61.2
3/8-24	23	31.3	35	47.6	50	68.0
7/16-14	30	40.8	50	68.0	70	95.2
7/16-20	35	47.6	55	74.8	80	108.8
1/2-13	50	68.0	75	102.0	110	149.6
1/2-20	55	74.8	90	122.4	120	163.2
9/16-12	65	88.4	110	149.6	150	204.0
9/16-18	75	102.0	120	163.2	170	231.2
5/8-11	90	122.4	150	204.0	220	299.2
5/8-18	100	136	180	244.8	240	326.4
3/4-10	160	217.6	260	353.6	386	525.0
3/4-16	180	244.8	300	408.0	420	571.2
7/8-9	140	190.4	400	544.0	600	816.0
7/8-14	155	210.8	440	598.4	660	897.6
1-8	220	299.2	580	788.8	900	1,244.0
1-12	240	326.4	640	870.4	1,000	1,360.0

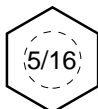
### NOTES

- These torque values are to be used for all hardware excluding: locknuts, self-tapping screws, thread forming screws, sheet metal screws and socket head setscrews.
- Recommended seating torque values for locknuts:
  - for prevailing torque locknuts - use 65% of grade 5 torques.
  - for flange whizlock nuts and screws - use 135% of grade 5 torques.
- Unless otherwise noted on assembly drawings, all torque values must meet this specification.

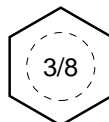
## Wrench & Fastener Size Guide



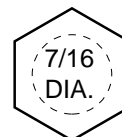
1/4" Bolt or Nut  
Wrench—7/16"



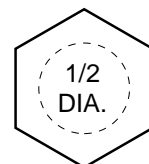
5/16" Bolt or Nut  
Wrench—1/2"



3/8" Bolt or Nut  
Wrench—9/16"



7/16" Bolt or Nut  
Wrench (Bolt)—5/8"  
Wrench (Nut)—11/16"



1/2" Bolt or Nut  
Wrench—3/4"





## Free Manuals Download Website

<http://myh66.com>

<http://usermanuals.us>

<http://www.somanuals.com>

<http://www.4manuals.cc>

<http://www.manual-lib.com>

<http://www.404manual.com>

<http://www.luxmanual.com>

<http://aubethermostatmanual.com>

Golf course search by state

<http://golfingnear.com>

Email search by domain

<http://emailbydomain.com>

Auto manuals search

<http://auto.somanuals.com>

TV manuals search

<http://tv.somanuals.com>