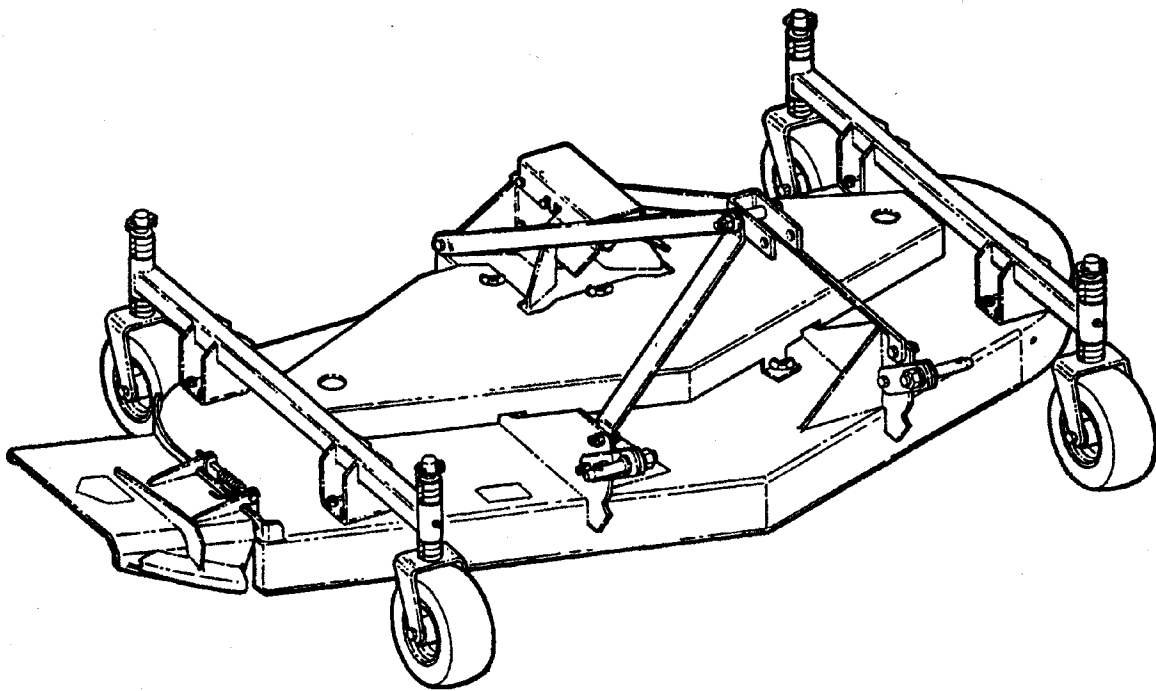


Parts Manual for
SNAPPER[®]

73" FINISHING MOWER



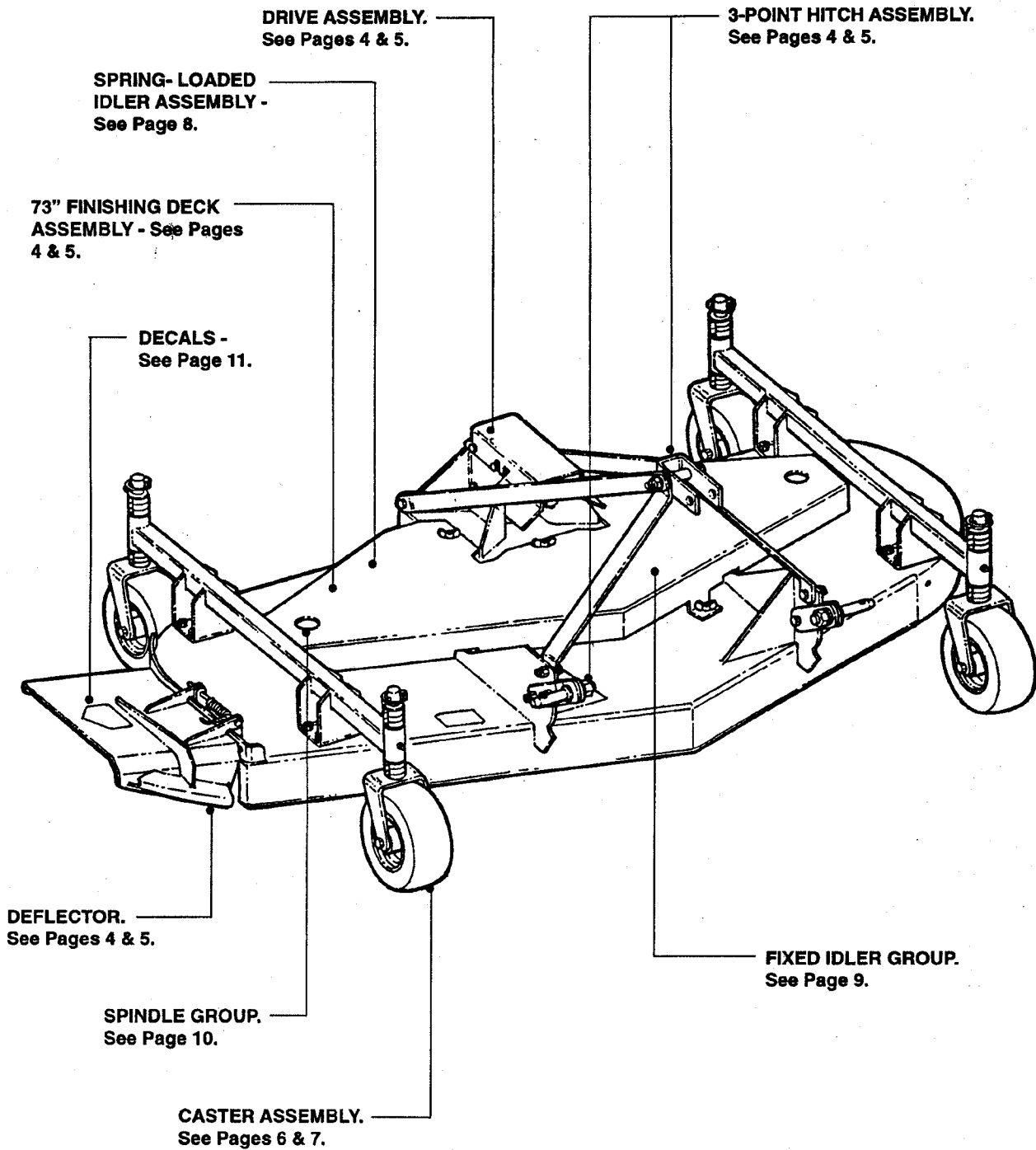
IT IS THE POLICY OF SNAPPER TO IMPROVE ITS PRODUCTS WHENEVER IT IS POSSIBLE AND PRATICAL TO DO SO. WE RESERVE THE RIGHT TO MAKE CHANGES OR ADD IMPROVEMENTS AT ANY TIME WITHOUT INCURRING ANY OBLIGATION TO MAKE SUCH CHANGES ON PRODUCTS MANUFACTURED PREVIOUSLY.

SNAPPER McDonough, GA., 30253 U.S.A.

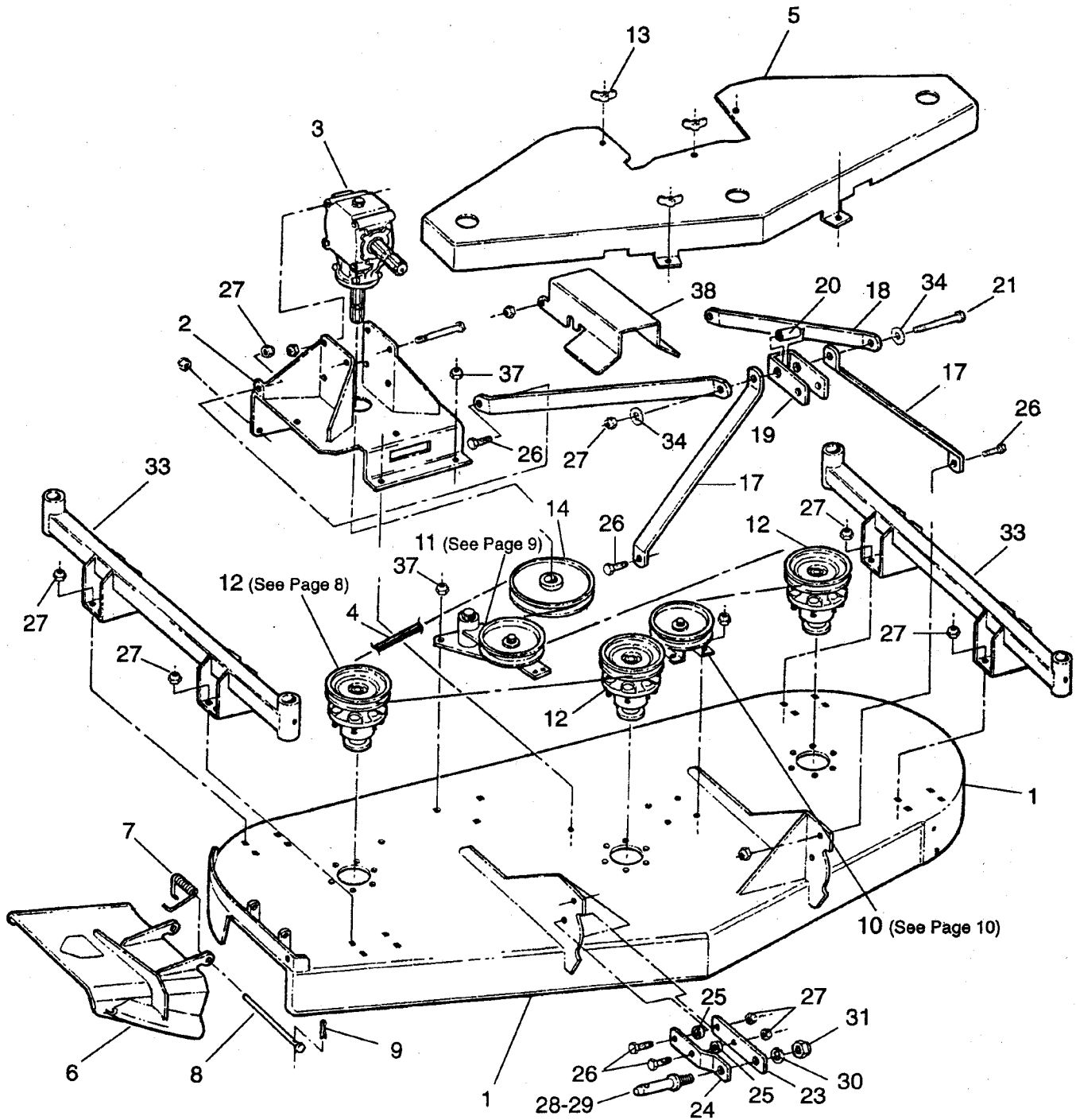
CONTENTS

Page	Description/group
3	FAMILIARIZATION - 73" FINSHING MOWER
4,5	73" FINISHING MOWER DECK ASSEMBLY
6,7	CASTER ASSEMBLY
8	SPRING LOADED IDLER GROUP
9	FIXED IDLER GROUP
10	SPINDLE GROUP
11	DECALS

FAMILIARIZATION - 73" FINISHING MOWER



73" FINISHING DECK ASSEMBLY



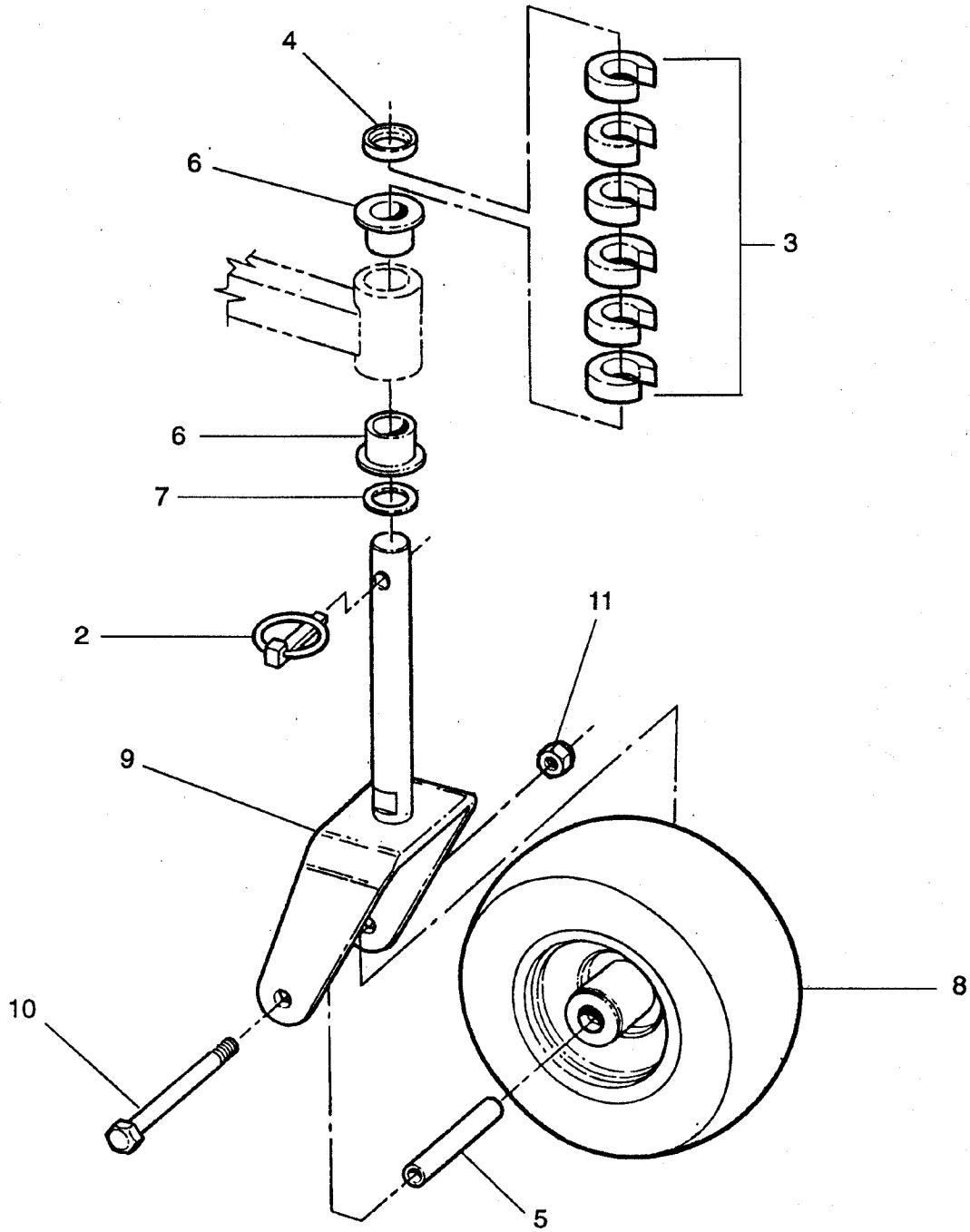
**NOTE: ITEM 32 (DRIVESHAFT)
NOT SHOWN.
SEE PAGES 6 & 7 FOR CASTER ASSEMBLY.**

73" FINISHING DECK ASSEMBLY

ITEM	PART NO.	DESCRIPTION
1	4-1901	WELDMENT, 73" Finishing Deck
2	4-1898	WELDMENT, Gearbox Mount
3	4-1897	GEARBOX, 1:1.90 Right Angle
4	4-1896	BELT, 165.5" HB Section
5	4-7245	COVER, Belt
6	4-7139	WELDMENT, 73" Discharge Chute (OFZ)
7	2-7950	SPRING, Chute
8	2-9277	HINGE PIN, Chute
9	9-1313	PIN, 3/32 x 1.0 Cotter
10	---	GROUP, Fixed Idler
11	---	GROUP, Spring-Loaded Idler
12	---	GROUP, Spindle (3)
13	9-1049	WINGNUT, 3/8C NYL Ring (7)
14	4-1902	PULLEY, 12" Split Steel
15	---	GROUP, 9" Caster (4)
16	---	GROUP, 3-Point Hitch
17	4-1893	BAR, Front Hitch (2)
18	4-1894	BAR, Rear Hitch (2)
19	4-1895	LINK, Hitch
20	4-6388	SLEEVE, Hitch Bolt
21	9-1822	BOLT, 1/2 - 13 x 5" Hex Head,
22	---	GROUP, Pivoting Lift Arm (2) (Incl. Items 23 thru 31)
23	4-1914	ARM, Pivoting Hitch
24	4-1913	ARM, Bent Pivoting Hitch
25	4-1904	SLEEVE, 3/4 O.D. x 1/2 I.D. (2)
26	9-1884	SCREW, 1/2 - 13 x 1-1/2 Hex Head Cap (2)
27	9-1922	NUT, 1/2 - 13 Hex Nyloc, Regular (2)
28	5-8035	PIN, Hitch Lift Arm (Incl. Items 29, 30 & 31)
29	4-1903	PIN, Hitch Lift Arm,
30	9-1983	WASHER, 7/8 Slotted,
31	9-1985	NUT, 7/8 - 14 UNF Hex
32	4-6372	DRIVESHAFT, FM7300
33	4-1899	WELDMENT, Caster Tube (2)
34	9-0250	WASHER, 1/2 x 63/64 Flat (2)
35	1-3847	RETAINER, 3/8" Bolt
36	9-1640	BOLT, 3/8 - 16 x 1" Carriage, Grade 5
37	9-1299	NUT, 3/8 - 16 Hex Nyloc
38	4-6427	GUARD, Driveshaft

CASTER ASSEMBLY

1 - COMPLETE ASSEMBLY

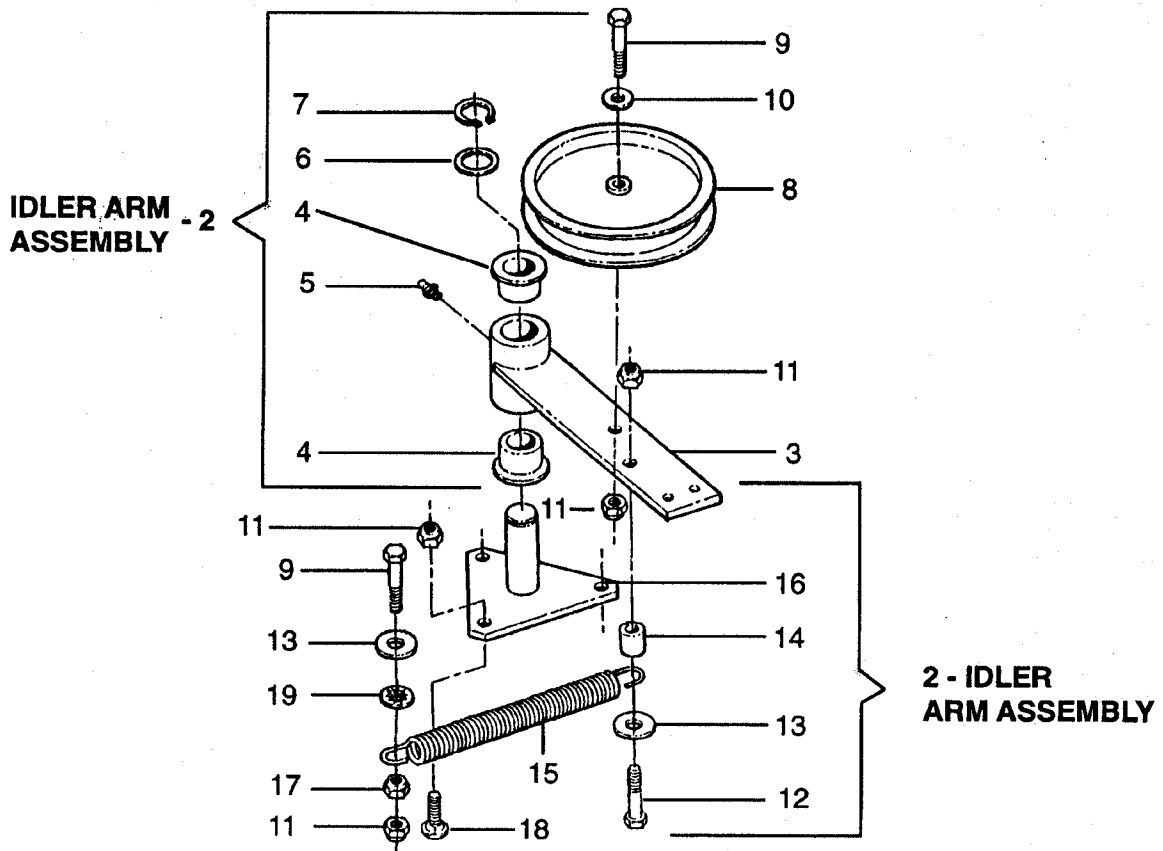


CASTER ASSEMBLY

ITEM	PART NO.	DESCRIPTION
1	---	ASSEMBLY, Caster, 73" Finishing Deck (Incl. 2 thru 11)
2	1-7711	PIN, 6/16" Lynch
3	1-9152	SPACER, Caster (6)
4	2-1960	SPACER, 1 x 1-3/8 PM
5	2-2151	SPACER, Axle Sleeve
6	2-3556	BUSHING, Caster (2)
7	2-3747	BUSHNG, 1" Machine
8	5-7762	ASSEMBLY, Wheel/Tire 9 x 3.50-4
9	4-6523	YOKE, Caster (Weldment)
10	9-1326	SCREW, 1/2 - 13 x 5-1/2" Hex Head Cap
11	9-1922	NUT, 1/2 - 13 Nyloc, Light

SPRING-LOADED IDLER GROUP

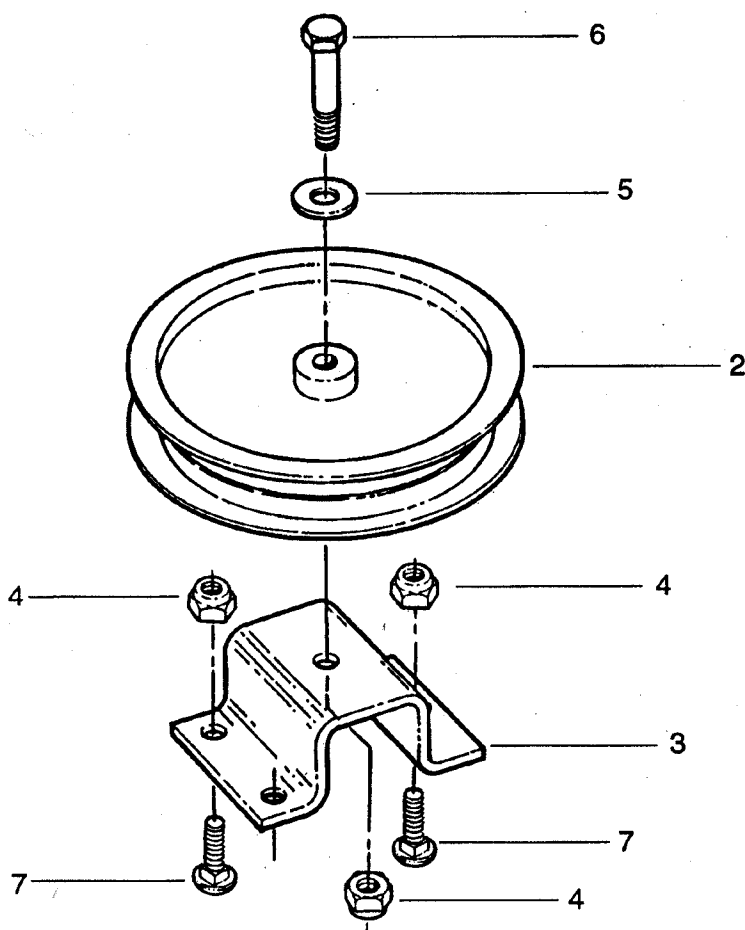
1 - COMPLETE ASSEMBLY



ITEM	PART NO.	DESCRIPTION
1	---	ASSEMBLY, Spring-Loaded Idler Group (Incl. Items 1 thru 18)
2	---	ASSEMBLY, Idler Arm (Incl. Items 3 thru 14)
3	4-2619	ARM, Idler (Weldment)
4	2-3556	BUSHING (2)
5	7-6998	FITTING, Lube 1/4 - 28 Straight
6	3-2031	WASHER, 1/32 I.D. x 1-1/4 O.D. Flat
7	1-2709	E-RING, 1"
8	3-5789	PULLEY, Idler 5-1/2" O.D.
9	9-1305	SCREW, 3/8 - 16 x 2" Hex Head Cap, Grade 5 (2)
10	9-1300	WASHER, 3/8" Flat
11	9-1299	NUT, 3/8 - 16 Hex Nyloc (6)
12	9-1553	SCREW, 3/8 - 16 x 1-3/4" Hex Head Cap, Grade 5
13	9-1331	WASHER, 13/32 x 1-1/2 Yellow Zinc (2)
14	3-5858	SPACER, 1/2" I.D. x 3/4" O.D
15	3-5667	SPRING, Extension
16	4-1295	PIVOT, Idler (Weldment)
17	9-1619	NUT, 3/8 - 16 Hex Flange Lock
18	9-1640	BOLT, 3/8 - 16 x 1" Carriage (3)
19	1-3847	RETAINER, 3/8" Bolt

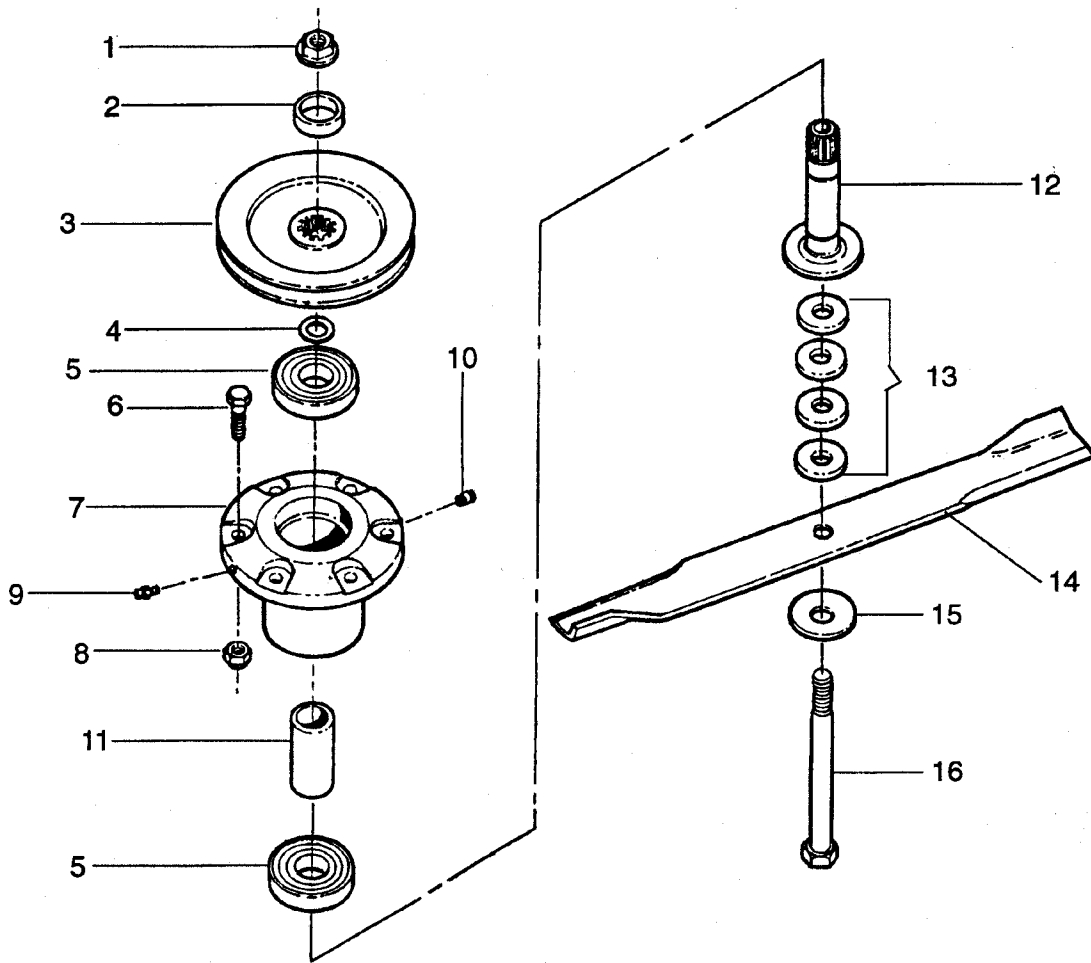
FIXED IDLER GROUP

1 - COMPLETE ASSEMBLY



ITEM	PART NO.	DESCRIPTION
1	---	ASSEMBLY, Fixed Idler Group
2	3-5789	PULLEY, 5-1/2" O.D. Idler
3	3-6449	STAND, Fixed Idler
4	9-1299	NUT, 3/8 - 16 Hex Nyloc (4)
5	9-1300	WASHER, 7/16" x 1" Flat
6	9-1305	SCREW, 3/8 - 16 x 2" Hex Head Cap
7	9-1640	BOLT, 3/8 - 16 x 1" Rounded Head Square Neck (3)

SPINDLE GROUP



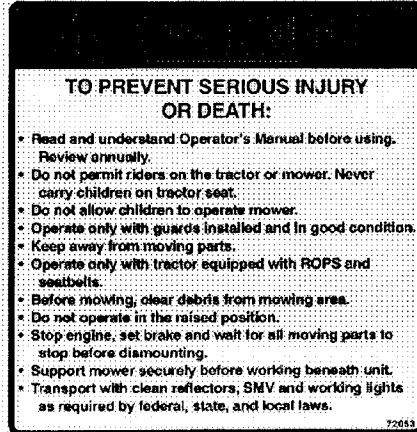
ITEM	PART NO.	DESCRIPTION
1	9-1736	NUT, 5/8 - 18 Hex Flange Lock, Grade 5
2	2-9270	WASHER, Spindle
3	2-9249	PULLEY, 5-3/4" O.D.
4	2-9274	SNAP RING, Spindle Shaft
5	2-9422	BEARING, Sealed (2)
6	2-9302	BOLT, 3/8 - 16 x 1-1/4" Rib Necked (6)
7	5-4017	HOUSING, Cutter (Incl. Items 6, 7 & 10)
8	9-1299	NUT, 3/8 - 16 Hex Nyloc (6)
9	2-9275	FITTING, Lube
10	2-9384	VENT, Spindle
11	2-9254	SPACER, Bearing
12	2-9253	SHAFT, Spindle
13	2-9271	SPACER, Blade (4)
14	4-6625	BLADE, 25 Inch
15	1-6440	WASHER, Beveled
16	2-9256	BOLT, 5/8 - 7-1/2" Hex Head Cap, Grade 5
--	5-4011	ASSEMBLY, Spindle (Incl. Items 4, 5, 7, 9, 11 & 12)

DECALS

SNAPPER®



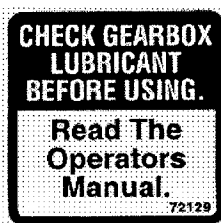
2



3



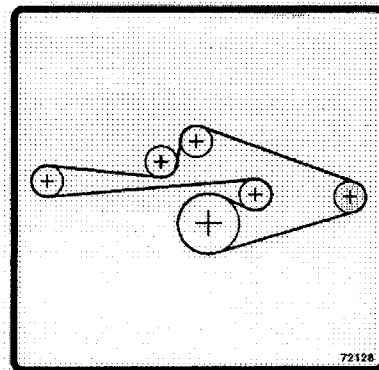
4



5



6



7

ITEM	PART NO.	DESCRIPTION
1	7-2127	DECAL, SNAPPER (2)
2	7-2051	DECAL, DANGER ROTATING DRIVELINE
3	7-2053	DECAL, WARNING BILLBOARD
4	7-2050	DECAL, DANGER ROTATING BLADES (2)
5	7-2129	DECAL, CHECK GEARBOX LUBRICANT
6	7-2052	DECAL, DANGER THROWN OBJECT
7	7-2128	DECAL, FM7300 BELT LAYOUT
(Following Decals Not Illustrated)		
---	7-2152	DECAL, SNAPPER
---	4-6371	DECAL, 73" DECK

Parts Manual for

SNAPPER®

73" FINISHING MOWER

COPYRIGHT © 1998
SNAPPER INC.
ALL RIGHTS RESERVED

SNAPPER® McDonough, GA., 30253 U.S.A.

MANUAL No. 06124 (I.R. 11/4/98)

Free Manuals Download Website

<http://myh66.com>

<http://usermanuals.us>

<http://www.somanuals.com>

<http://www.4manuals.cc>

<http://www.manual-lib.com>

<http://www.404manual.com>

<http://www.luxmanual.com>

<http://aubethermostatmanual.com>

Golf course search by state

<http://golfingnear.com>

Email search by domain

<http://emailbydomain.com>

Auto manuals search

<http://auto.somanuals.com>

TV manuals search

<http://tv.somanuals.com>