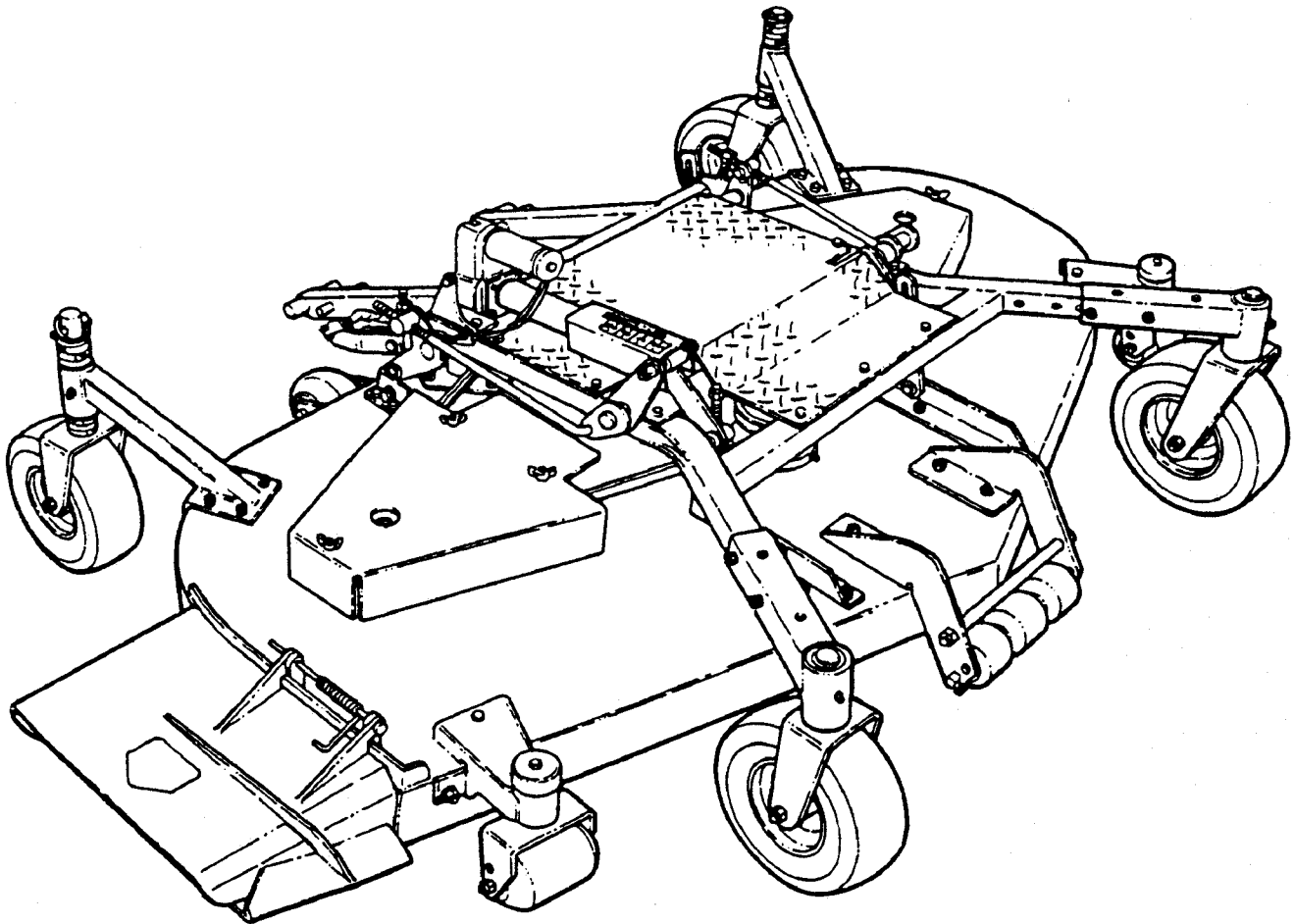


Parts Manual For

# SNAPPER®

## 73" MOWER DECK ASSEMBLY for OUT FRONT Z-RIDER



**SNAPPER**® McDonough, GA., 30253 U.S.A.

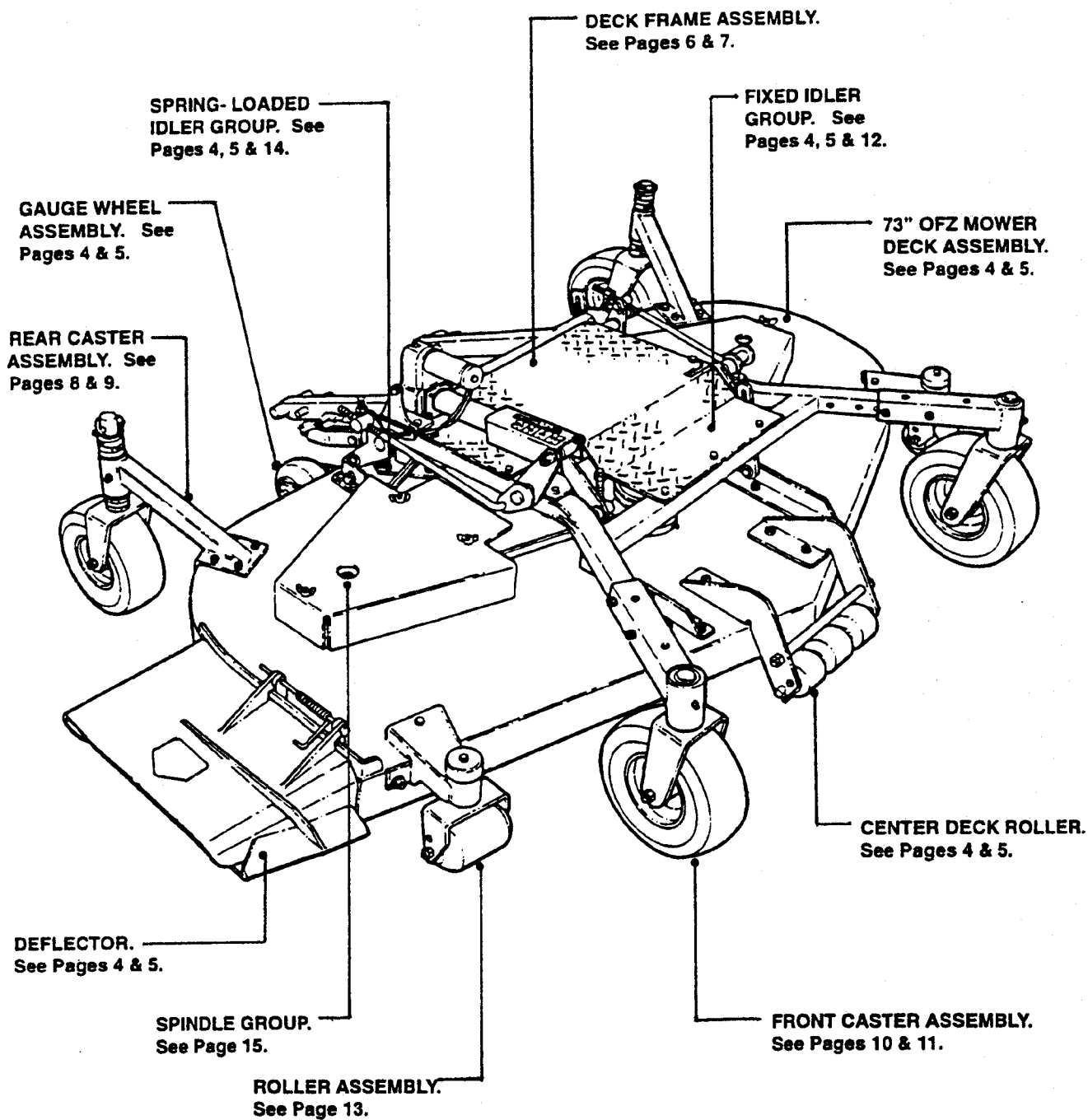
COPYRIGHT © 1998  
SNAPPER INC.  
ALL RIGHTS RESERVED

MANUAL NO. 06125 (I.R. 10/6/98)

# CONTENTS

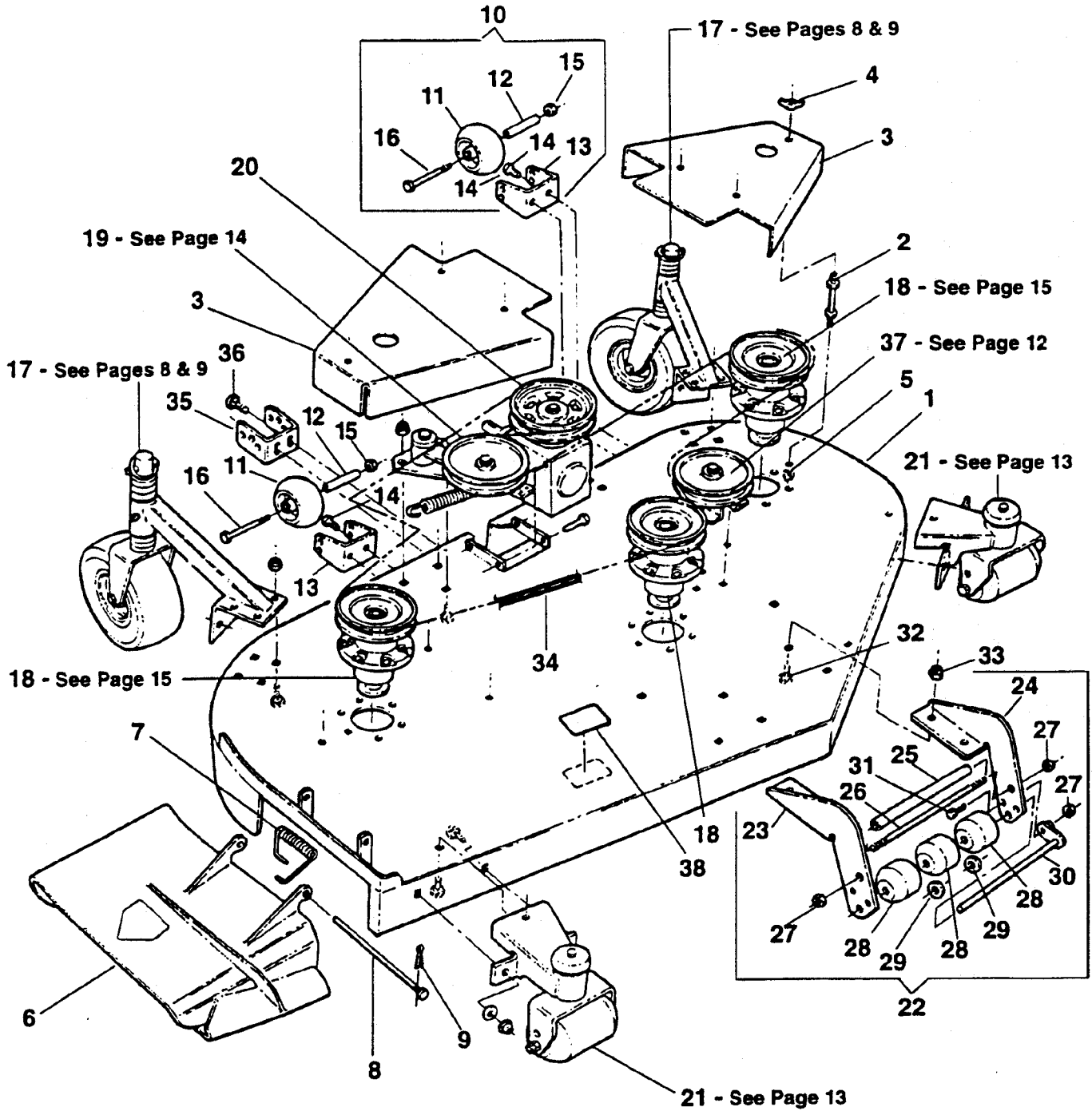
| <b>Page</b> | <b>Description/Group</b>             |
|-------------|--------------------------------------|
| 3           | FAMILIARIZATION – 73” OFZ MOWER UNIT |
| 4, 5        | 73” OFZ MOWER DECK ASSEMBLY          |
| 6, 7        | DECK FRAME ASSEMBLY                  |
| 8, 9        | REAR CASTER ASSEMBLY                 |
| 10, 11      | FRONT CASTER ASSEMBLY                |
| 12          | FIXED IDLER GROUP                    |
| 13          | ROLLER ASSEMBLY                      |
| 14          | SPRING-LOADED IDLER GROUP            |
| 15          | SPINDLE GROUP                        |

# FAMILIARIZATION - 73" OFZ MOWER UNIT



# 73" OFZ MOWER DECK ASSEMBLY

(For Components Breakdown see Pages as Indicated)



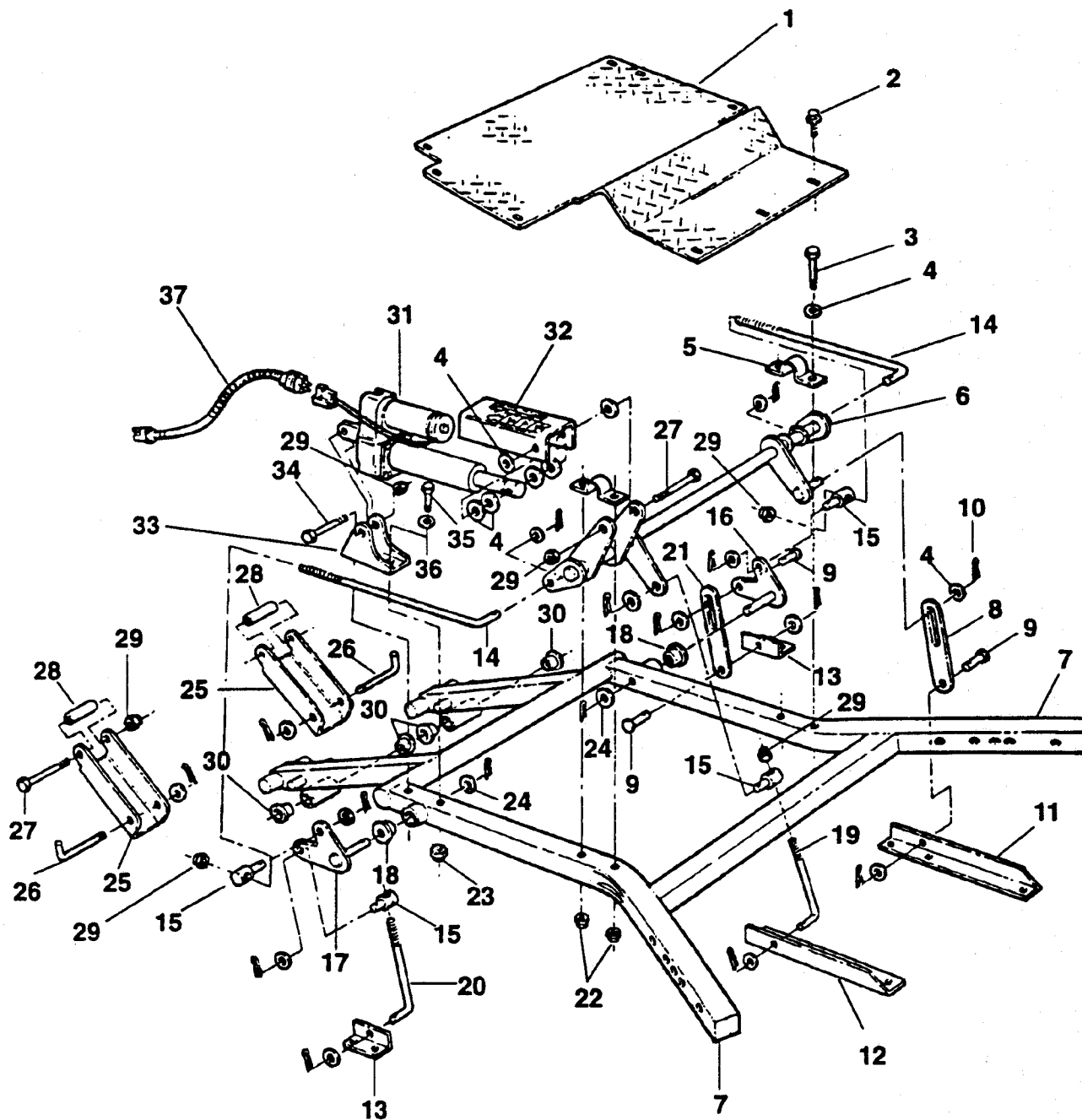
# 73" OFZ MOWER DECK ASSEMBLY

| ITEM | PART NO. | DESCRIPTION  |
|------|----------|--|
| 1    | 4-1901   | WELDMENT, 73" OFZ MOWER DECK                             |
| 2    | 2-8864   | STANDOFF, 3 1/2" (6)                                     |
| 3    | 4-6644   | GUARD, Belt (2)  |
| 4    | 9-1049   | WINGNUT, 3/8-16 (6)                                      |
| 5    | 9-1299   | NUT, 3/8-16 Hex Nyloc (6)                                |
| 6    | 4-7139   | DEFLECTOR, Chute, 73" Deck (Weldment)                    |
| 7    | 2-7950   | SPRING, Chute  |
| 8    | 2-9277   | HINGE PIN, Chute   |
| 9    | 9-1313   | PIN, 3/32 x 1" Cotter                                    |
| 10   | 5-4465   | ASSEMBLY, Gage Wheel (Includes items 11 thru 16) (2)     |
| 11   | 2-9264   | WHEEL, Gage  |
| 12   | 3-6456   | SPACER, Gage Wheel                                       |
| 13   | 3-6457   | FORK, Gage Wheel   |
| 14   | 9-1304   | SCREW, 3/8-16 x 1" Hex Head Cap (2)                      |
| 15   | 9-1325   | NUT, 1/2-13 Nyloc  |
| 16   | 9-1822   | SCREW, 1/2-13 x 5" Hex Head Cap (2)                      |
| 17   | --       | GROUP, 9" Caster (Rear) (2) (See Pages 8 & 9)            |
| 18   | --       | GROUP, Spindle (3) (See Page 15)                         |
| 19   | --       | GROUP, Spring-Loaded Idler (See Page 14)                 |
| 20   | 4-6624   | GEARBOX, Right Angle                                     |
| 21   | 5-4695   | ASSEMBLY, Roller (2) (See Page 13)                       |
| 22   | 5-7822   | ASSEMBLY, Center Deck Roller (Includes items 23 thru 33) |
| 23   | 3-6458   | MOUNT, Roller (R.H.)                                     |
| 24   | 3-6459   | MOUNT, Roller (L.H.)                                     |
| 25   | 3-6460   | ROLLER, Tube   |
| 26   | 3-6461   | ROD, Threaded Roller                                     |
| 27   | 9-1325   | NUT, 1/2-13 Nyloc (3)                                    |
| 28   | 7-9226   | ROLLER, Low Density Poly (3)                             |
| 29   | 2-7344   | WASHER, 5/8" SAE Flat (2)                                |
| 30   | 2-7327   | WELDMENT, Pivot Pin                                      |
| 31   | 9-1884   | SCREW, 1/2-13 x 1 1/2"                                   |
| 32   | 9-1640   | BOLT, 3/8-16 x 1" Carriage, Grade 5 (4)                  |
| 33   | 9-1299   | NUT, 3/8-16 Hex Nyloc (4)                                |
| 34   | 4-1896   | BELT, 164" HB Section                                    |
| 35   | 4-6623   | BRACKET, Rear Deck Hanger (2)                            |
| 36   | 9-1640   | BOLT, 3/8-16 x 1" Carriage, Grade 5 (YZ)                 |
| 37   | --       | GROUP, Fixed Idler (See Page 12)                         |
| 38   | 4-6371   | DECAL, 73 Deck   |

## (BELOW ITEMS NOT ILLUSTRATED)

|   |        |                   |
|---|--------|-------------------|
| - | --     | GROUP, ZF73 Decal |
| - | 1-3010 | DECAL, Warning    |
| - | 2-2522 | DECAL, Warning    |
| - | 2-4156 | DECAL, Caution    |

# DECK FRAME ASSEMBLY



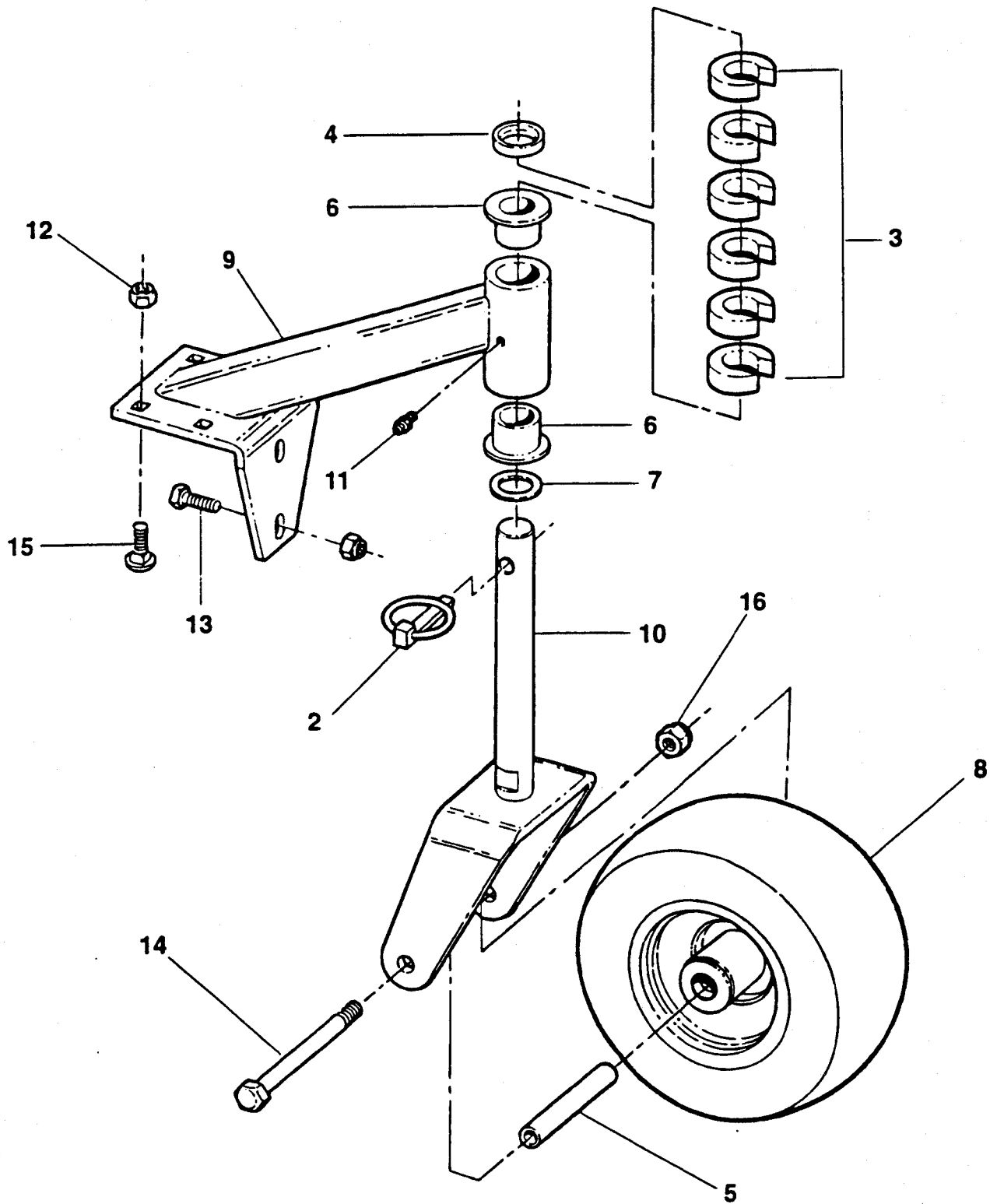
**NOTE: UNLESS OTHERWISE NOTED, ALL FLATWASHERS ARE ITEMS 4 (22 TOTAL), AND ALL COTTER PINS ARE ITEMS 10 (16 TOTAL).**

# DECK FRAME ASSEMBLY

| ITEM | PART NO. | DESCRIPTION                                |
|------|----------|--|
| 1    | 4-7171   | PLATE, Diamond Tread Foot                  |
| 2    | 9-1523   | SCREW, 5/16-18 x 5/8" Hex Self-Tapping (8) |
| 3    | 9-0219   | SCREW, 5/16 x 2 1/2" Hex Head Cap (4)      |
| 4    | 9-1587   | WASHER, .531 x 1.062 x .121 SAE Flat (22)  |
| 5    | 4-3803   | BRACKET, Deck Lift Hanger (2)              |
| 6    | 4-6595   | ARM, Front Lift (Weldment)                 |
| 7    | 4-7130   | FRAME, Deck (Weldment)                     |
| 8    | 4-6602   | BAR, 7" Lift                               |
| 9    | 1-2802   | PIN, 1/2 x 1 1/8" Clevis (YZ) (2)          |
| 10   | 9-1516   | PIN, 5/32 x 1" Cotter (16)                 |
| 11   | 4-6508   | ANGLE, Front Deck Mounting (L.H.)          |
| 12   | 4-6507   | ANGLE, Front Deck Mounting (R.H.)          |
| 13   | 4-3803   | BRACKET, Deck Lift, Rear (2)               |
| 14   | 4-6598   | ROD, Timing, 1/2" Threaded (2)             |
| 15   | 4-6599   | SWIVEL, .50 Thru Hole (4)                  |
| 16   | 4-6596   | ARM, Rear Bellcrank (L.H.) (Weldment)      |
| 17   | 4-6597   | ARM, Rear Bellcrank (R.H.) (Weldment)      |
| 18   | 3-5496   | BEARING, .75 I.D. (4)                      |
| 19   | 4-6856   | J-BOLT, 1/2" Dia. x 8 1/2" Long (Front)    |
| 20   | 4-6857   | J-BOLT, 1/2" Dia. x 7" Long (Rear)         |
| 21   | 4-6603   | BAR, 5.62 Lift                             |
| 22   | 9-1298   | NUT, 5/16-18-3B Esna (YZ) (4)              |
| 23   | 9-1299   | NUT, 3/8-16 Nyloc (YZ) (2)                 |
| 24   | 9-0863   | WASHER, 13/16 x 1 15/32" (HS) (2)          |
| 25   | 4-6594   | CHANNEL, Deck Stabilizer (2)               |
| 26   | 4-7178   | J-BOLT, Deck Attachment (2)                |
| 27   | 9-0735   | BOLT, 1/2-13 x 4" Hex (HO) (3)             |
| 28   | 4-6605   | SLEEVE, Stabilizer (2)                     |
| 29   | 9-1922   | NUT, 1/2-13 Nyloc, Regular (YZ) (2)        |
| 30   | 2-9258   | BUSHING, Suspension (4)                    |
| 31   | 3-6448   | LINEAR ACTUATOR, 1000 Lbs., 4" Stroke      |
| 32   | 3-6454   | INDICATOR, Height Of Cut                   |
| 33   | 4-6593   | BRACKET, Actuator Anchor                   |
| 34   | 9-1218   | SCREW, 1/2 UNC x 2.5 Hex Head Cap          |
| 35   | 9-1501   | SCREW, 3/8-16 x 2.5 Hex Head Cap (2)       |
| 36   | 9-1514   | WASHER, .406 x .812 x .075" (YZ) (2)       |
| 37   | 4-7166   | WIRE HARNESS, Deck Lift                    |

# REAR CASTER ASSEMBLY

1 - COMPLETE



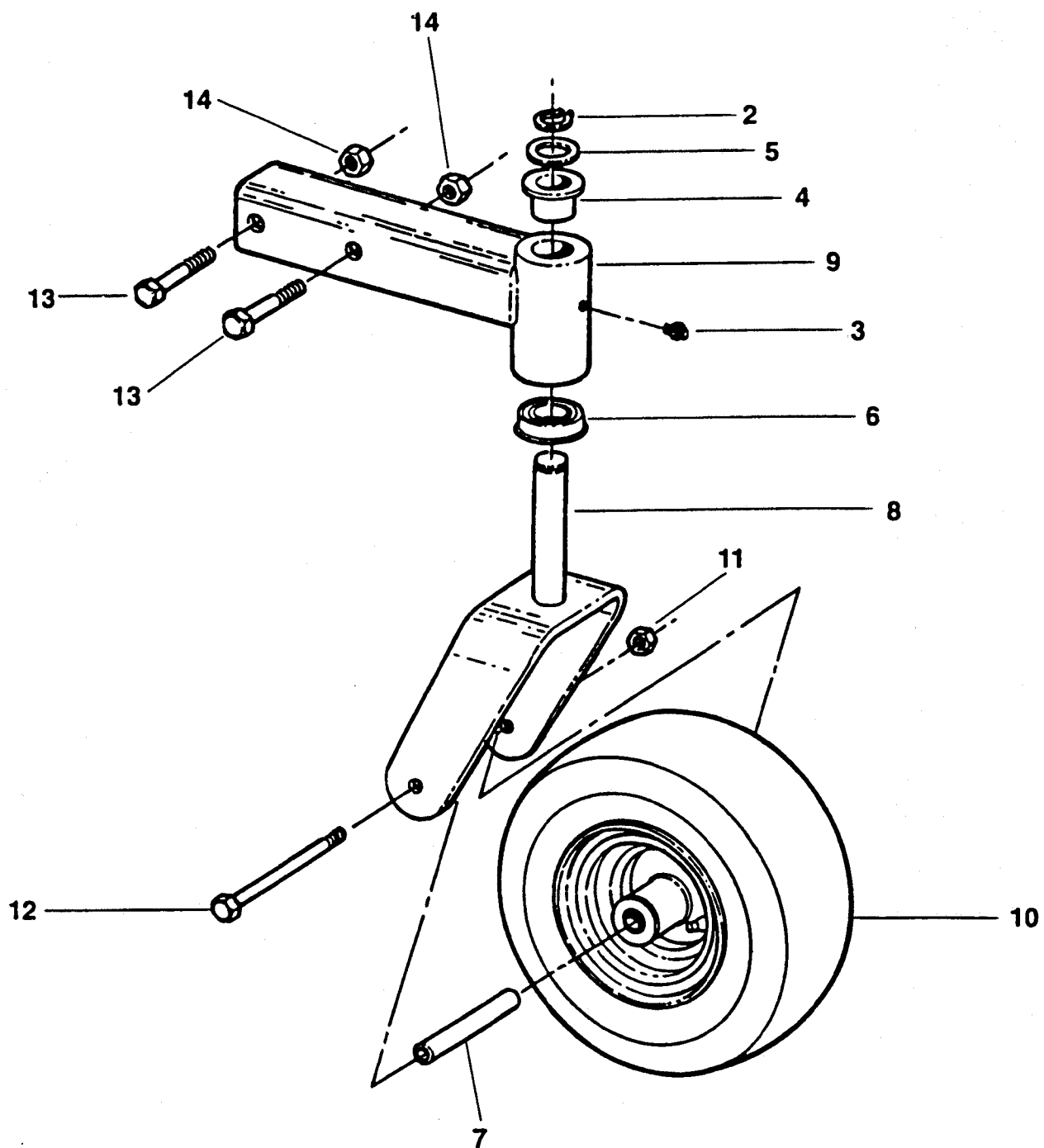


# REAR CASTER ASSEMBLY

| ITEM | PART NO. | DESCRIPTION   |
|------|----------|---|
| 1    | 5-7738   | ASSEMBLY, Rear Caster, 73" OFZ Deck<br>(Includes items 2 thru 16) |
| 2    | 1-7711   | PIN, 7/16" Lynch (HD)   |
| 3    | 1-9152   | SPACER, Caster (6)  |
| 4    | 2-1960   | SPACER, 1 x 1 3/8 x .300" (PM)                                    |
| 5    | 2-2151   | SPACER, Axle Sleeve   |
| 6    | 2-3556   | BUSHING, Caster (2)   |
| 7    | 2-3747   | BUSHING, 1" Machine   |
| 8    | 2-9869   | ASSEMBLY, Wheel/Tire, 9 x 3.50 - 4                                |
| 9    | 4-6515   | SUPPORT, Caster (Weldment)  |
| 10   | 4-6523   | YOKE, Caster (Weldment)   |
| 11   | 7-6998   | FITTING, Lube, 1/4-28 Straight                                    |
| 12   | 9-1299   | NUT, 3/8-16 Hex Nyloc (6)   |
| 13   | 9-1304   | SCREW, 3/8-16 x 1" Hex Head Cap (2)                               |
| 14   | 9-1326   | SCREW, 1/2-13 x 5.5 Hex Head Cap                                  |
| 15   | 9-1640   | BOLT, 3/8-16 x 1" Carriage (4)                                    |
| 16   | 9-1922   | NUT, 1/2-13 Nyloc, Light  |

# FRONT CASTER ASSEMBLY

1 - COMPLETE ASSEMBLY

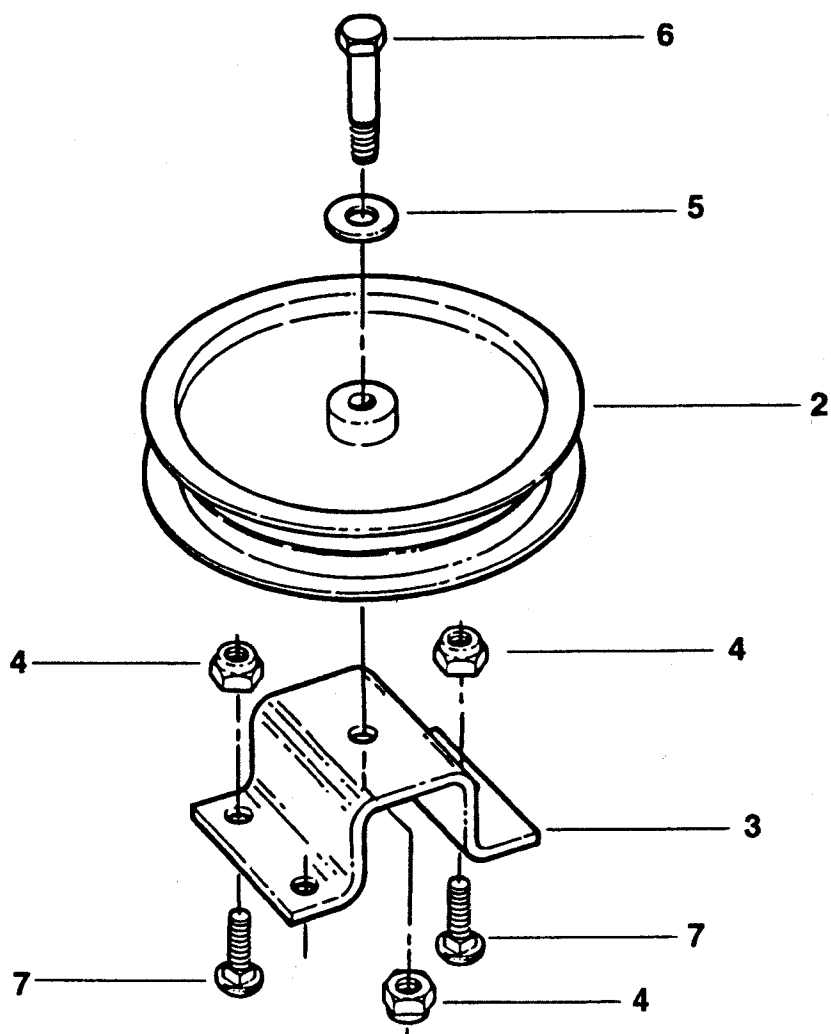


# FRONT CASTER ASSEMBLY

| ITEM | PART NO. | DESCRIPTION   |
|------|----------|---|
| 1    | 5-7774   | ASSEMBLY, 11" Front Caster (Includes items 2 thru 14) |
| 2    | 1-2709   | RING, 1" External Retaining                           |
| 3    | 1-3864   | FITTING, 3/16 Lube                                    |
| 4    | 2-3556   | BUSHING, Caster                                       |
| 5    | 2-3747   | BUSHING, 1" Machine                                   |
| 6    | 2-9141   | BEARING, Flanged Ball                                 |
| 7    | 3-5359   | TUBE, 5/8" O.D. x 18 Gage Wall x 3.545 Long           |
| 8    | 4-6620   | YOKE, Caster (Weldment)                               |
| 9    | 4-7138   | ARM, Telescoping Caster (Weldment)                    |
| 10   | 5-3980   | ASSEMBLY, Wheel                                       |
| 11   | 9-0839   | NUT, 7/16-14 Hex Head Cap                             |
| 12   | 9-1772   | SCREW, 7/16-14 x 6" Hex Head Cap                      |
| 13   | 9-1821   | SCREW, 1/2-13 x 3" Hex Head Cap (2)                   |
| 14   | 9-1922   | NUT, 1/2-13 Light Nyloc (2)                           |

# FIXED IDLER GROUP

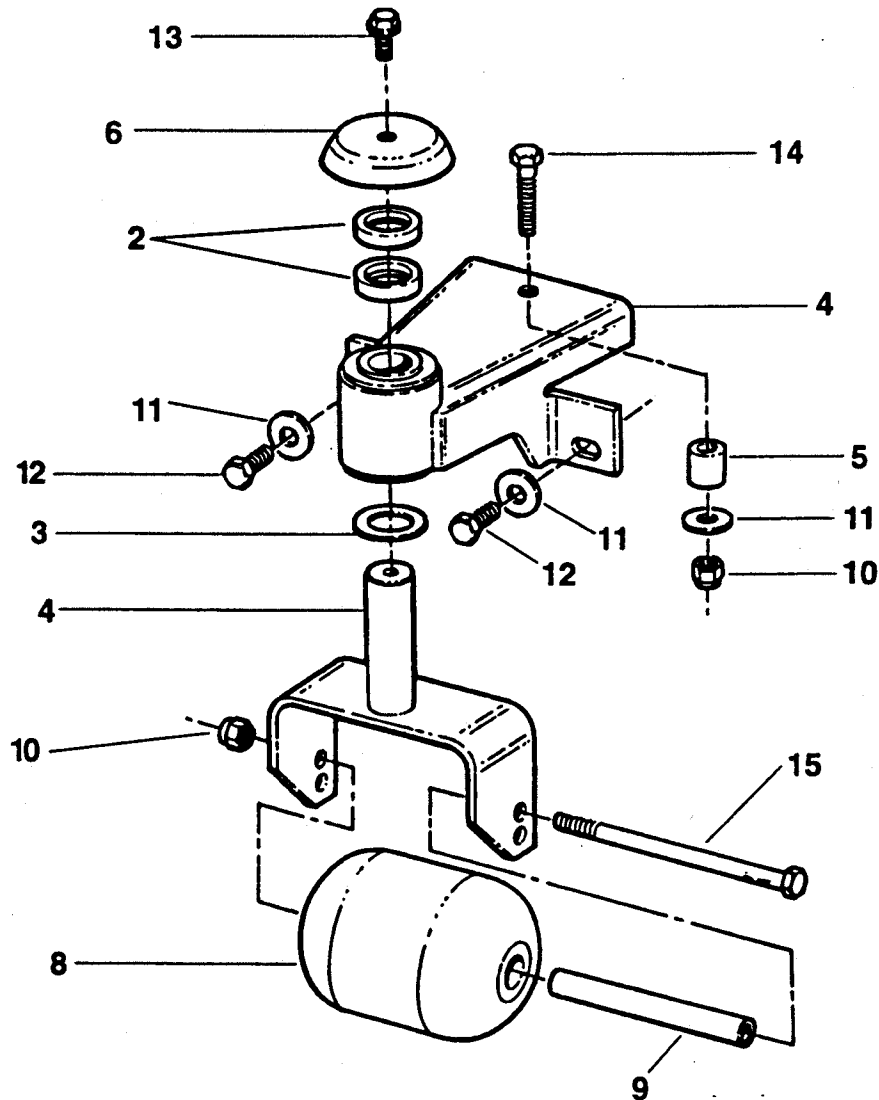
## 1 - COMPLETE ASSEMBLY



| ITEM | PART NO. | DESCRIPTION                                   |
|------|----------|---|
| 1    | 5-4355   | ASSEMBLY, Fixed Idler Group                   |
| 2    | 3-5789   | PULLEY, Idler, 5 1/2" O.D.                    |
| 3    | 3-6449   | STAND, Fixed Idler                            |
| 4    | 9-1299   | NUT, 3/8-16 Hex Nyloc (4)                     |
| 5    | 9-1300   | WASHER, .44 x 1.0 x .08" Flat                 |
| 6    | 9-1305   | SCREW, 3/8-16 x 2" Hex Head Cap               |
| 7    | 9-1640   | BOLT, 3/8-616 x 1" Round Head Square Neck (3) |

# ROLLER ASSEMBLY

## 1 - COMPLETE ASSEMBLY

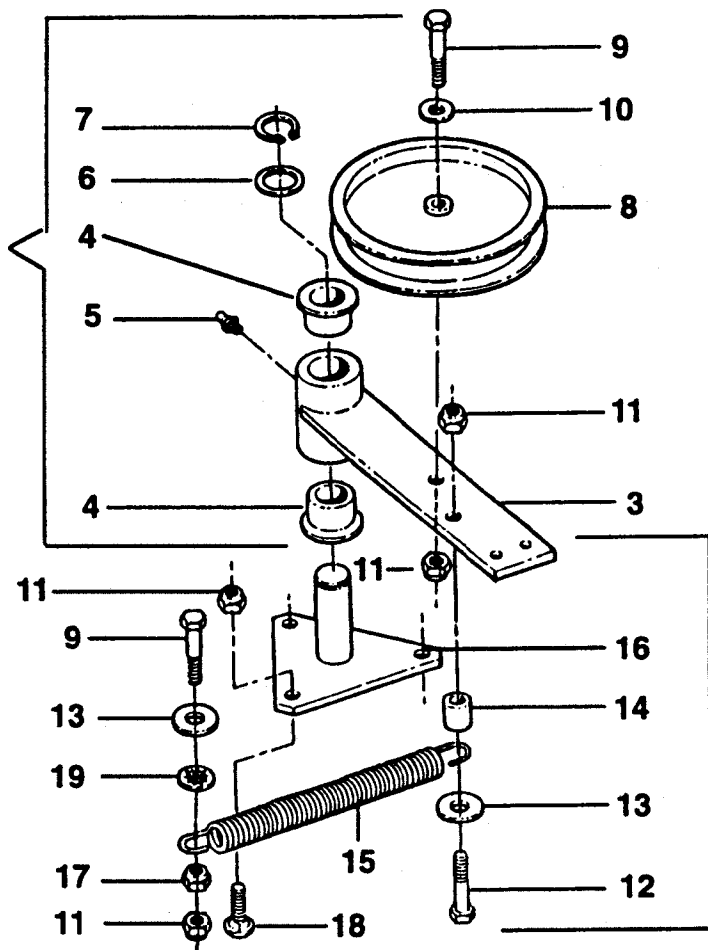


| ITEM | PART NO. | DESCRIPTION   |
|------|----------|---|
| 1    | 5-4695   | ASSEMBLY, Roller (2) (Includes items 2 thru 15)     |
| 2    | 2-1960   | SPACER, 1" x 1 3/8 x .30" (PM) (2)                  |
| 3    | 2-3747   | BUSHING, 1" Machine                                 |
| 4    | 4-4646   | CASTER, Gage Wheel (Weldment)                       |
| 5    | 4-4752   | SPACER, 3/8 x .75"                                  |
| 6    | 4-4839   | CAP, Caster Shaft                                   |
| 7    | 5-4702   | ASSEMBLY, Gage Wheel Caster (Weldment)              |
| 8    | 7-9868   | ROLLER, 3 3/4 x 4 13/16" Nylon                      |
| 9    | 7-9882   | TUBE, Axle  |
| 10   | 9-1299   | NUT, 3/8-16 Hex Nyloc (2)                           |
| 11   | 9-1300   | WASHER, .44 x 1.0 x .08" Flat (3)                   |
| 12   | 9-1304   | SCREW, 3/8-16 x 1" Hex Head Cap (2)                 |
| 13   | 9-1541   | SCREW, 5/16-18 x 3/4" Hex Washer Head, Self-Tapping |
| 14   | 9-1553   | SCREW, 3/8-16 x 1 3/4" Hex Head Cap                 |
| 15   | 9-1617   | SCREW, 3/8-16 x 6" Hex Head Cap                     |

# SPRING - LOADED IDLER GROUP

1 - COMPLETE ASSEMBLY

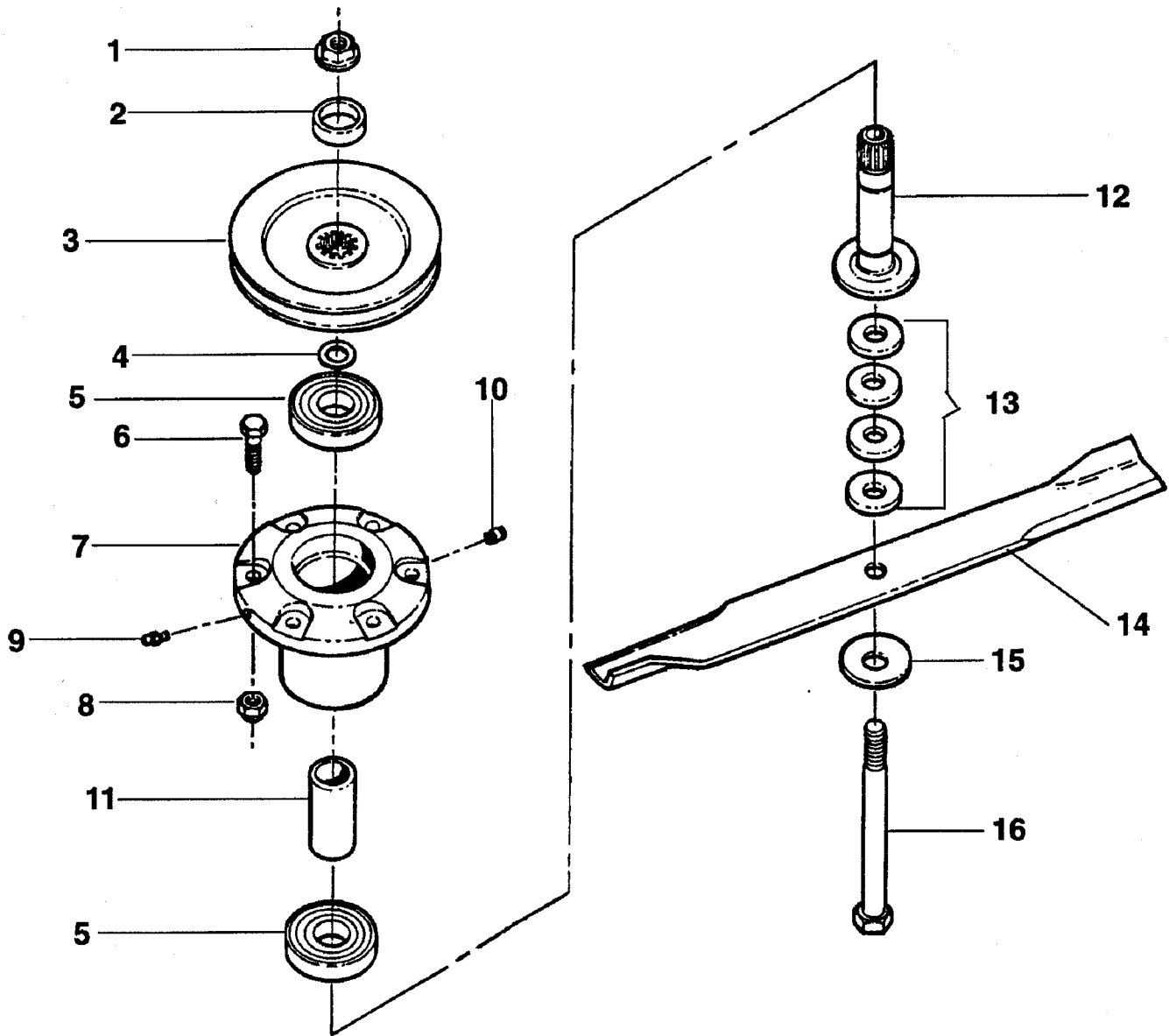
IDLER ARM ASSEMBLY



2 - IDLER ARM ASSEMBLY

| ITEM | PART NO. | DESCRIPTION  |
|------|----------|--|
| 1    | 5-4356   | ASSEMBLY, Spring-Loaded Idler Group (Includes items 1 thru 18) |
| 2    | 5-4248   | ASSEMBLY, Idler Arm (Includes items 3 thru 14)                 |
| 3    | 4-2619   | ARM, Idler (Weldment)  |
| 4    | 2-3556   | BUSHING (2)  |
| 5    | 7-6998   | FITTING, 1/4-28 Straight                                       |
| 6    | 3-2031   | WASHER, 1.031 x 1.25 x .03" Flat                               |
| 7    | 1-2709   | E-RING, 1"   |
| 8    | 3-5789   | PULLEY, 5 1/2" O.D.  |
| 9    | 9-1305   | SCREW, 3/8-16 x 2" Hex Head Cap, Grade 5 (2)                   |
| 10   | 9-1300   | WASHER, 3/8" Flat  |
| 11   | 9-1299   | NUT, 3/8-16 Hex Nyloc (6)                                      |
| 12   | 9-1553   | SCREW, 3/8-16 x 1 3/4" Hex Head Cap, Grade 5                   |
| 13   | 9-1331   | WASHER, .406 x 1.5 x .120" (YZ) (2)                            |
| 14   | 3-5858   | SPACER, .50 I.D. x .75 O.D. x .83"                             |
| 15   | 3-5667   | SPRING, Extension  |
| 16   | 4-1295   | PIVOT, Idler (Weldment)  |
| 17   | 9-1619   | NUT, 3/8-16 Hex Flange Lock                                    |
| 18   | 9-1640   | BOLT, 3/8-16 x 1" Carriage (3)                                 |
| 19   | 1-3847   | RETAINER, 3/8" Bolt  |

# SPINDLE GROUP



| ITEM | PART NO. | DESCRIPTION                                 |
|------|----------|---|
| 1    | 9-1736   | NUT, 5/8-18 Hex Flange Lock, Grade 5        |
| 2    | 2-9270   | WASHER, Spindle                             |
| 3    | 2-9249   | PULLEY, 5 3/4" O.D.                         |
| 4    | 2-9274   | SNAP-RING, Spindle Shaft                    |
| 5    | 2-9422   | BEARING, Sealed (2)                         |
| 6    | 2-9302   | BOLT, 3/8-16 x 1 1/4" Rib Necked (6)        |
| 7    | 2-9252   | HOUSING, Cutter                             |
| 8    | 9-1299   | NUT, 3/8-16 Hex Nyloc (6)                   |
| 9    | 2-9275   | FITTING, Lube                               |
| 10   | 2-9384   | VENT, Spindle                               |
| 11   | 2-9254   | SPACER, Bearing                             |
| 12   | 2-9253   | SHAFT, Spindle                              |
| 13   | 2-9271   | SPACER, Blade (4)                           |
| 14   | 4-6625   | BLADE, 25 Inch                              |
| 15   | 1-6440   | WASHER, Beveled                             |
| 16   | 2-9256   | BOLT, 5/8-18 x 7 1/2" Hex Head Cap, Grade 5 |

*Parts Manual For*

**SNAPPER<sup>®</sup>**

**73" MOWER DECK ASSEMBLY**  
*for OUT FRONT Z-RIDER*

**SNAPPER** McDonough, GA., 30253 U.S.A.

COPYRIGHT © 1998  
SNAPPER INC.  
ALL RIGHTS RESERVED

MANUAL NO. 06125 (I.R. 10/6/98)



## Free Manuals Download Website

<http://myh66.com>

<http://usermanuals.us>

<http://www.somanuals.com>

<http://www.4manuals.cc>

<http://www.manual-lib.com>

<http://www.404manual.com>

<http://www.luxmanual.com>

<http://aubethermostatmanual.com>

Golf course search by state

<http://golfingnear.com>

Email search by domain

<http://emailbydomain.com>

Auto manuals search

<http://auto.somanuals.com>

TV manuals search

<http://tv.somanuals.com>