

# **SNAPPER®**

**Lawnmowers of 53 cm**  
**Rasenmäher 53 cm**  
**Tondeuses 53 cm**  
**Tagliaerba 53 cm**  
**Cortacéspedes 53 cm**



PAGE:  
SEITE:  
PAGE:  
PAGINA:  
PAGINA:

- 2 • Safety Instructions and Operator's Manual
- 5 • Sicherheitsrichtlinien und Bedienungsanleitung
- 9 • Manuel de l'utilisateur pour les tondeuses à gazon
- 12 • Istruzioni per l'uso e la sicurezza dei tagliaerba
- 15 • Instrucciones de seguridad para el cortacésped

**SNAPPER POWER EQUIPMENT**  
McDonough, GA., 30253 U.S.A.



MANUAL # 1-6607

Thank you for buying a SNAPPER product! Before operating your mower, read this manual carefully and pay particular attention to the Important Safety Instructions on page 2. Remember that mowers and all power equipment can be dangerous if used improperly, and keep in mind that safety requires careful use in accordance with the instructions and...common sense!

## IMPORTANT SAFETY INSTRUCTIONS

**WARNING:** Failure to comply with the following instructions may result in serious injury to the operator or other persons. The owner of the mower must understand these instructions and, furthermore, must allow only persons who understand these instructions to operate the mower. Each person operating the mower must be of sound mind and body and must not be under the influence of any substance which might impair vision, dexterity, or judgement.

### TRAINING

1. Read this Manual carefully and question your dealer if something is not clear. For further information, call or write to the importer of Snapper products in your country.
2. **DO NOT** allow children in yard when mower is operated.
3. **DO NOT** allow pre-teenager children to operate mower.
4. Only responsible teenagers with mature judgment shall be allowed to operate mower and only under close supervision.
5. Keep the area clear of all persons, particularly small children, and pets.

### PREPARATION

1. Never operate mower without proper guards, plates, safety switches, or other safety protective devices in place and properly connected. Inspect to determine that these safety devices are installed properly, are in good repair, and operate properly. If the condition or operation of these devices are questionable, they must be repaired or replaced before using the mower.
2. Thoroughly inspect the area where the mower is to be used and remove all stones, sticks, wire, bones and other foreign objects. Also note the location of holes, stumps, and other possible hazards.
3. Do not operate mower when barefoot or wearing open sandals. Always wear substantial footwear and long pants.
4. Fill gasoline tank before starting engine. Use approved gasoline container. Do not smoke near open gasoline container. Do not fill gasoline tank indoors or when engine is running. Allow engine to cool for at least ten minutes before refilling. Wipe off any spilled gasoline before starting engine. Do not run engine indoors.
5. Make sure that the traction drive clutch control is disengaged before starting engine.
6. Never attempt to make a wheel height adjustment while the engine is running.
7. When mowing over rough ground or in tall grass, mower must be set in highest cutting position.
8. Mow only in daylight or in good artificial light.
9. Always be sure of your footing; keep a firm hold on the handle and walk; never run.

### OPERATION

1. Do not change engine governor settings or overspeed engine.
2. Do not put hands or feet near or under rotating parts. Keep clear of discharge area while engine is running.
3. Stop engine when crossing gravel drives, walks, or roads, and under any conditions where thrown objects might be a hazard.
4. After striking a foreign object or if mower vibrates abnormally, stop the engine, disconnect and secure spark plug wire. Inspect the mower for any damage and repair the damage.
5. Stop engine whenever you leave the operating position behind the handle for any reason, including emptying grass bag and making any adjustments, repairs, or inspections.
6. Before cleaning, repairing or inspecting, make certain blade and all moving parts have stopped. Disconnect and secure spark plug wire away from plug to prevent accidental starting.
7. Stop engine and wait until the blade comes to complete stop before removing grass bag and/or unclogging adapter.
8. Mow across steep slopes, never up-and-down. Exercise caution when changing directions on slopes. Do not mow excessively steep slopes.

### MAINTENANCE AND STORAGE

1. Keep all nuts, bolts and screws tight to be sure mower is in safe operating condition.

2. Never store mower with gasoline in the tank inside of a building where fumes may reach an open flame or spark. Allow engine to cool before storing in any enclosure.
3. To reduce fire hazard, keep mower free of grass, leaves or excessive grease.
4. Check grass bag assembly frequently for wear or deterioration. Replace bag or bag adapter if broken or cracked.
5. Have your mower inspected and serviced each year by an authorized Snapper dealer. Determine if any additional services are available which might upgrade the safety of your mower.
6. Factory specified Snapper replacement parts must be used to assure adequate protection against injury.

## OPERATING PROCEDURE

Keep the important safety instructions in mind when operating the mower. For easier starting, move the mower to an area where the cutting blade can turn free of tall grass. Know beforehand how to stop the mower in preparation for possible emergencies. The engine (and blade) is stopped by releasing the BLADE CONTROL or by pulling the ENGINE CONTROL rearward to STOP position. Forward motion of self-propelled models is stopped by releasing the WHEEL DRIVE control. Refer to figure 1 for location of these controls.

### PRE-START CHECKS

Before each start-up, check the following and/or perform the service specified as needed.

- CHECK guards, grass bag and adapter or side discharge chute to make sure these items are in proper position and securely tightened. NOTE: The tab on inside rear edge of the adapter or side chute must push the interlock spring in toward the center of the mower. If improperly installed, the engine cannot be started.
- CLEAN surface to remove dust, dirt, clippings particularly from cooling air intake screen on engine to prevent overheating.
- CHECK oil level in 4-cycle engine and add oil as needed to bring the level up to, but not over, full mark.\*
- CHECK cutting height and adjust, as needed, to suit prevailing grass conditions before starting.
- FILL FUEL TANK after pushing mower outdoors where fumes will be safely dissipated. On 2-cycle engine, use the correct fuel to oil ratio.\*

\*See engine manual for fuel & oil specifications.

### STARTING-STOPPING ENGINE

Stop engine (& blade) by releasing the BLADE CONTROL or pulling the ENGINE CONTROL rearward to STOP position.

**ROPE START:** Since the engine cannot be started unless the BLADE CONTROL is held against the upper handle, use the following steps to rope start the engine. If the engine is cold, push primer button if so equipped.

1. Set ENGINE CONTROL in START or CHOKE position.
2. Place foot with toe pointing forward on top of rear tire.
3. Hold BLADE CONTROL firmly to handle.
4. Bend at waist to reach ROPE STARTER.
5. Pull rope as you straighten up to use your back more than arm muscles.
6. Repeat pulling until engine starts, guide rope slowly back to engine (the rope may break if allowed to snap back), continue holding Blade Control and move behind handles to operator's position.

**ELECTRIC START:** The keyswitch on electric start models has two positions which are RUN and START. The engine **cannot** be stopped at the keyswitch. Stopping is accomplished by either releasing the BLADE CONTROL or by moving the ENGINE CONTROL to STOP position. To

start the engine electrically, proceed as follows: If the engine is cold, push primer button if so equipped. Also turn fuel valve on beforehand on engines so equipped.

1. Move ENGINE CONTROL to START or CHOKE position.
2. Hold BLADE CONTROL firmly to handle.
3. Insert key and turn KEYSWITCH to START position and hold until engine starts then release.

**NOTE:** To avoid depleting battery energy and/or overheating the starting motor, do not crank the engine continuously for more than 5 seconds at a time. Allow brief period between cranking attempts. If the battery charge is too low for cranking the engine, use the rope starter. The electric start engines have alternators to maintain sufficient battery charge when the mower is used frequently. See charging instructions on next page.

**BATTERY CHARGING:** A plug in battery charger is provided which operates off 120/60 hz or 220/50 hz household current. When recharging, disconnect battery from wiring harness, install charge in household outlet and connect battery to charger. If battery is weak charge for 48 hours. Charge battery for 72 hours if completely discharged.

Note: Continuous charging will not damage battery.

## MOWING PROCEDURE

Vary speed to suit grass conditions. Set the engine speed high for tall, thick grass or lower for sparse grass. Push hand propelled models at a speed that is comfortable but will allow even cutting without stalling. On self propelled models, set ground SPEED CONTROL lever in desired forward speed setting, then grip the WHEEL DRIVE control and hold against handle to engage clutch for forward motion. Releasing the WHEEL DRIVE control stops forward motion. The mower can be hand pushed forward or in reverse for trimming with the WHEEL DRIVE control released. The ground speed can be changed to a new setting at any time when in motion. Use low speed setting and clutch for downhill braking.

**MOWING/VACUUMING HINTS:** The cutting deck should be level under all conditions. As a general rule, never cut more than 1/3 off the height of the grass. If for example, the grass has grown to 10 cm tall, set the mower height latches in the lowest position which establishes the cutting height at approximately 7 cm (see cutting height chart) thereby cutting about 3 cm off the grass and staying well within the 1/3 off limit. If you want the grass shorter, wait a few days then recut to the lower height. If cut too short, the grass will expend more energy for development of new leaf structures and less for a healthy root system and will be more subject to burning. On the other hand, if allowed to grow too long, the lower portion will be shaded and, as result will discolor. In dry periods, allow the grass to grow longer than you normally would. **NOTE:** Do not mow across and area where dry type fertilizer has just been spread as most of the fertilizer will be vacuumed up.

Change your mowing pattern from time to time for a smoother cut lawn. Finely chopped clippings add nutrients to the soil to promote grass growth, however, if the clippings become too heavy, they mat to form thatch which prevents proper breathing and holds moisture. If thatch is particularly heavy, the Thatcherizer accessory described on page 23 will do an effective job of dislodging the decaying matter. To prevent grass disease from thatch, vacuuming and bagging is recommended for most cuttings along with an occasional broadcasting of the clippings into the lawn for nutritive value. Your Snapper can be quickly converted back and forth from bagging to side discharge with the accessories.

## EMPTYING GRASS CATCHER BAG

To install the grass catcher on the mower, slide the connector down over the adapter flange then lower the support frame hooks onto the middle handle. When the catcher becomes full, stop engine and lift the support hooks up over the handle then lift the connector off and continue lifting while moving the catcher forward until the bag clears the mower. To empty bag, raise the connector end up and release the handle of the door flap. Shake the catcher back and forth to dump the clippings.

**TO EMPTY IN TRASH BAG:** Use the following procedure to empty clippings in trash bag. After removing catcher from mower, place connector end on ground, open door flap, slip trash bag over the catcher, turn catcher over so that large opening is down inside bag, lift catcher by connector and door handles and shake until clippings are dumped in the trash bag.

## CUTTING HEIGHT ADJUSTMENT

Always stop the engine and wait until the mower blade comes to a complete halt before readjusting the cutting height! To readjust, move the height adjusting latch on each wheel outward and slide each, one notch at a time, to the position desired. Positioning the latches in the highest notch sets the mower at the lowest cutting height while the lowest notches set it in the highest cutting position. Refer to figure 3 for the approximate cutting height afforded by each of the five latch positions. For best results, set both latches on one side first, then go to the other side and set these latches into corresponding notches. Before resetting the rear latches into lower notches, lift the weight of mower off the rear wheels first by pulling up on the handle, then reset.

## SERVICES PROCEDURE

The mower itself requires very little service, however, it is important that the engine be serviced at the intervals specified in the engine manual furnished with your mower. When performing any services on the mower, always disconnect the spark plug wire from the spark plug to prevent unintentional starting. When tipping the mower to work on the underside, always tilt with spark plug up to prevent flooding the engine with gasoline and oil which would cause hard starting after servicing. **NOTE:** On Tecumseh powered units, comply with the following rules to prevent oil from entering the air cleaner and ruining the dry element (1) DO NOT keep engine in tilted position for more than 5 minutes. (2) DO NOT crank engine or turn blade while tilted (3) DO NOT tilt plug up more than 90 degrees.

To retain the quality of your mower, use Genuine Snapper Replacement Parts only. To obtain the correct part for your particular mower, always specify model and serial number as found on nameplate. Contact your local Snapper Dealer on a yearly basis for inspection and addition of any new devices which might upgrade the safety of your mower.

## LUBRICATION SERVICES

**ENGINE—Change oil every 25 hours as specified in engine manual.**  
**TRANSMISSION (Self-Propelled Models)** - Remove plug and check every 25 hours of operation. If grease is not visible on the input gear, add small amount of Snapper "OO" grease, **CAUTION:** Avoid over lubricating—capacity not to exceed 2 ounces of grease. Snapper "OO" grease is available in a convenient quart size container (Part No. 1-1050) at your Snapper dealer. Replace plug after servicing transmission.

**MOVING PARTS** - Occasionally put a few drops of oil on movable surfaces of components such as the height adjusting levers, wheel axles, shift levers, etc. Be careful not to spill oil on surface or drive disc on self-propelled models.

## CUTTING BLADE SERVICE

**CAUTION:** Before checking or doing any work on the blade, disconnect the spark plug wire and secure it away from the plug to prevent unintentional starting.

**CHECK** at frequent intervals to make sure the blade is securely tightened and that it is in good condition.

**REPLACE** blade if badly chipped, bent, out of balance or as soon as a notch starts wearing in the tip between the flat surface and upturned lift as depicted in View P, Figure 6. This type wear pattern occurs more rapidly under sandy soil conditions. **CAUTION:** Never operate the mower with blade worn to the extent shown in View Q as the tip could fly off causing personal injury or property damage.

**SHARPEN** blade when the cutting edges become dull if the blade is in otherwise good condition. Sharpen blade on grinding wheel at an angle of 22 to 28 degrees. The cutting surface should extend in about 9 mm from the tips. Check the blade after sharpening to determine that it is still balanced. It will cause excessive vibration if unbalanced.

**BE CAREFUL: AVOID CUTTING YOURSELF ON SHARP BLADE! Protect your hands from cuts while handling blade.**

**INSTALL** blade with components in sequence shown in Figure 7. Make sure that the turned-up rims in the center of the blade fit over the edges of the blade drive hub when installing. Do not substitute any component here. Tighten the blade retaining capscrew 280.4 to 420.6 kg—cm torque value.

## CLUTCH LINKAGE (Self-Propelled)

Make sure the vinyl cover remains over the spring(s) connecting the clutch

pull rod to the clutch idler components (see Figure 8). This not only keeps the spring clean but prevents it from rubbing against and wearing a hole in the grass bag on mowers so equipped.

**ADJUSTMENTS:** If excessive pressure is required to hold the wheel drive clutch lever in the engaged or drive position, the clutch pull rod springs are probably out of adjustment. This is checked with the engine stopped and the clutch handle released. When properly adjusted there should be 1.6 to 3.2 mm clearance between the inside hook of the spring and inside eye of the push rod as shown in Figure 8. To adjust, unhook and rotate the inner and outer springs in opposite direction, rehook and check clearance. Repeat this procedure until the clearance is correct. If the wheel drive control does not snap back to disengage the drive when the handle is release, check the clip holding the pull rod to the handle bar for binding. Position this clip about 13 cm from the upper handle and rotate to best position to allow the rod to slide without interference.

## DRIVEN DISC SERVICE

If the mower does not pull properly with the wheel drive clutch engaged, check for the following: Grease on drive disc causing slippage, broken or disconnected driven assembly spring (see Figure 10), driven disc too worn to contact the drive disc properly, driven disc out of adjustment. This condition could also be caused by worn belts. If the belts are in good condition and the clutch is properly adjusted, service the drive system as follows:

**DRIVEN DISC ADJUSTMENT:** With the engine stopped and the speed lever shifted into highest speed setting, the driven disc should be 3 to 6 mm from the center of the drive disc as illustrated in Figure 9. Re-adjust with engine stopped as follows: Shift the speed selector into the highest speed setting, loosen the connector hex nut and slide the driven disc assembly inward or outward until the center is 3 to 6 mm from the edge of the drive disc. Retighten connector nut to lock at new setting.

**DRIVEN DISC REPLACEMENT:** If the rubber of driven disc is badly chunked or worn down to within 2 mm of the metal rim, remove the driven disc assembly and replace the driven disc as follows: Remove the clip and detach the transfer rod from the speed control lever (Figure 10). Using a pair of needle nosed pliers, unhook the drive spring and slide the driven disc assembly off as shown in Figure 11. Remove the five machine screws securing the rubber driven disc and separate the worn disc from the hub. Reverse this procedure to install the replacement disc and to reconnect the drive components.

**BEARING REPLACEMENT:** If the bearing fails, remove the driven disc assembly as described above and replace the bearing as follows: Remove the snap ring using special snap ring pliers. Slide the driven ring, hub and bushing out of the bearing. Remove the four screws and bearing. Reverse this procedure to install the replacement bearing and reconnecting the drive components.

## BELT SERVICE

Slippage of worn belts will cause self-propelled models to pull poorly. On these the engine belt transmits this power to the poly-V-belt which, in turn, engages the clutch to drive the transmission and rear drive wheels.

**ENGINE BELT REPLACEMENT:** Disconnect the spark plug wire and empty the fuel tank or tape the vents in the filter cap to prevent fuel spillage then proceed as follows: Unhook the idler arm spring from the right rear wheel bracket and remove the driven disc assembly as described under DRIVEN DISC service. Tilt the mower up on its right wheels and remove the cutting blade and hub, then remove the drive disc retaining nut and internal tooth lockwasher. Lift the drive disc-idler assembly off the deck and remove faulty belt. Loop end of replacement belt over engine drive pulley and insert other end through deck opening. Loop belt around driven pulley then push the drive disc-idler assembly down into position on the deck. Install the internal tooth lockwasher and disc retaining nut on the drive disc stud and securely tighten these. Test to make sure the idler arm is free to pivot without interference then reinstall the cutting blade components (refer to BLADE SERVICE), driven disc assembly, then using a stiff wire (Hint: coat hanger) with hooked end, pull the hooked end of the idler arm spring through the larger hole in the right wheel bracket and hook the end through the smaller hole.

**POLY V-BELT REPLACEMENT:** This belt can be replaced after removing the driven disc assembly as described earlier. Note the arrangement of old belt around pulleys before cutting and removing it. Slip the replace-

ment belt over the end of hex shaft pulley and work over idler pulley. Twist the belt sideways and pull it upward between the differential bracket and transmission pulley. Slip belt over grooves in the hex shaft, clutch idler and transmission pulleys. Note: When properly installed, the lower span of the Poly-V-Belt will be above the belt guide.

## STORAGE PROCEDURE

Prepare your mower for storage at the end of the mowing season as follows. (Refer to the engine manual for directions for preserving engine). With the spark plug wire disconnected, turn the mower on its side and thoroughly clean underside of deck. Scrape away grass with putty knife and/or wire brush then wash down with water from a hose. **WARNING:** Tape openings closed to prevent spraying water into exhaust or air intake while washing. Clean external surfaces of mower and allow to dry, then lubricate all exposed metal with a light coating of oil to prevent corrosion. Make sure grass bag is completely emptied to prevent decay and formation of mold while in storage. The grass bag may be washed in detergent but allow it to dry thoroughly. Store mower during off season in a storage shed or dry area protected from weather. Handles on push models can be tilted forward for storage by loosening wingnuts—do not kink cables!

## HANDLE HEIGHT ADJUSTMENT

To raise or lower handle, loosen the adjusting locknuts on both sides as shown below, reset handle to desired position and retighten the locknuts.

## POPULAR ACCESSORIES

Depending on how your mower is originally equipped, it can be converted to perform other lawn care duties with the kits described below.

**SNAPPERIZER KIT:** Converts mower into an outdoor vacuum and shredder to broadcast shredded clippings and leaves with side discharge chute or for bagging with the grass catcher. Specify model of mower when ordering.

**GRASS CATCHER BAG KIT:** If your mower is equipped with side discharge chute, it can be converted for bagging operation whenever desired with a grass bag kit. Specify model when ordering.

**SIDE CHUTE KIT:** If your mower is equipped with the grass catcher, it can be quickly converted to side discharge with a side chute kit to broadcast clippings and eliminate bagging operation. Specify model when ordering.

**MULCHERIZER KIT:** Converts mower into effective mower/mulcher to cut and chop the grass before blowing clippings directly into the lawn as nutritive mulch. Specify model when ordering.

**THATCHERIZER KIT:** Attaches to front of self-propelled models to dislodge thatch for vacuuming into grass catcher. One kit fits all 53 cm models.

## WARRANTY RECORD

Sold on: \_\_\_\_\_

By: \_\_\_\_\_

Model Nr. \_\_\_\_\_ Serial Nr. \_\_\_\_\_

\_\_\_\_\_  
STAMP AND SIGNATURE OF DEALER

Wir danken Ihnen für den Kauf eines SNAPPER-Gerätes. Sie werden viele Jahre Freude an Ihrem SNAPPER haben. Durch jahrzehntelange Erfahrung, solide Konstruktion, sorgfältige Fertigung und ständige Qualitätskontrolle haben wir die Voraussetzungen hierfür geschaffen. Unsere qualifizierten Fachhändler sorgen für Werterhaltung und ständige Einsatzbereitschaft. Wesentliche Unterschiede werden behandelt. Achten sie darauf, daß jeder Benutzer des Rasenmähers die Sicherheitsvorschriften kennt und mit dem Gerät vertraut gemacht wird. Unfälle entstehen durch Unkenntnis und Unachtsamkeit. Wir haben alles für Ihre Sicherheit getan, tun Sie es auch.

## NACHFOLGENDE PUNKTE WERDEN SIE VOR SCHADEN BEWAHREN

### ALLGEMEINE HINWEISE:

- Denken Sie immer daran: Sie sind Dritten gegenüber im Arbeitsbereich des Mähers verantwortlich. Halten Sie Kinder während des Betriebes fern.
- Jugendliche unter 16 Jahren dürfen Sichelmäher nicht bedienen.
- Mäher mit Viertakt-Motor sind für Steigungen von über 27 Grad nicht geeignet.
- Beim Mäher mit Viertaktmotor füllen Sie vor Inbetriebnahme Motorenöl in den Motor ein. Lesen Sie dazu die Motorhinweise.
- Beim laufenden Motor darf nicht getankt werden. Wenn der Mäher bei noch warmen Motor aufgetankt wird, ist darauf zu achten, daß kein Kraftstoff verspritzt wird. Nicht rauchen-kein offenes Feuer.

### VOR DEM MÄHEN:

- Bringen Sie den mitgelieferten Prallschutz bzw. die Grasfangvorrichtung an. Das Mähen ohne Prallschutz oder Grasfangvorrichtung ist verboten. Die Auswurföffnung wird aus Sicherheitsgründen bei Abnahme des Fangsackes durch eine Verschlussklappe selbsttätig geschlossen. Grundsätzlich gilt, bei Abnahme des Fangsackes muß der Motor abgestellt werden.
- Säubern Sie den Rasen von Fremdkörpern wie Steinen, Ästen usw. Achten Sie auch während des Mähens auf Fremdkörper.
- Tragen Sie beim Mähen festes Schuhwerk.
- Vergewissern Sie sich, daß Sie beim Zweitakt-Motor das richtige Öl-Kraftstoff-Gemisch im Kraftstoffbehälter haben.

### BEIM START:

- Starten Sie den Mäher auf ebener Fläche, nicht im hohen Gras.
- Beim Starten des Motors den Mäher nicht seitlich hochkant! Sollten Sie ihn ausnahmsweise schrägstellen, muß das Schneidwerkzeug in die von ihnen abgewandte Richtung zeigen. Die Bedienungsperson darf sich auch nicht an der Auswurfseite befinden.
- Wegen Gasvergiftungsgefahr darf der Mäher nicht in geschlossenen Räumen in Betrieb gesetzt werden.

### BEIM MÄHEN:-ZU IHRER SICHERHEIT-

- Halten Sie den durch die Führungsholme gegebenen Sicherheitsabstand ein.
- Kommen Sie bei laufendem Motor niemals mit dem Fuß oder der Hand unter den Mäher.

### VERLETZUNGSGEFAHR!

- Beim Mähen an Böschungen und Hängen ist besondere Vorsicht geboten z.B. Mähen entlang der Schichtlinie, Verwendung oder Führung des Mähers am Halteseil und Tragen von Gleitschutz an den Schuhen.
- Verstellen Sie die Schnitthöhe nur bei abgeschaltetem Motor und stillstehendem Scheidwerkzeug.
- Vor dem abnehmen der Grasfangvorrichtung den Motor abstellen und Stillstand des Schneidwerkzeuges abwarten.
- Achten Sie darauf, daß die Grasfangvorrichtung immer richtig eingehangen ist.

### NACH DEM MÄHEN:

- Lassen Sie den Mäher nicht unbeaufsichtigt laufen. Ziehen Sie vor Verlassen des Gerätes den Zündkerzenstecker un bei Mäher mit El. Start zusätzlich den Starterschlüssel ab.
- Schalten Sie den Motor aus und warten Sie den Stillstand des Schneidwerkzeuges ab, bevor Sie den Mäher zum Transport

anheben.

- Schalten Sie beim Fahren außerhalb des Rasen den Motor ab, dies gilt nicht bei SNAPPER Mähern mit Messersofortstop.

### DIE WARTUNG:

- Wartungs- und Reinigungsarbeiten am Mäher, sowie das Abnehmen der Schutzeinrichtungen dürfen nur bei stillgesetztem Motor und abgeschaltetem Schneidwerkzeug und nur, wenn Zünd- oder Schaltschlüssel und Zündkerzenstecker abgezogen sind, vorgenommen werden.
- Spritzen Sie den Mäher nicht mit Wasser ab.
- Prüfen Sie alle sichtbaren Befestigungsschrauben und Muttern, besonders die des Messerbalkens, regelmäßig auf festem Sitz und ziehen Sie sie nach. Ziehen Sie sich bei Arbeiten am Schneidwerkzeug Handschuhe über.
- Tauschen Sie beschädigte Messerbalken aus. Führen Sie diese Arbeit besonders sorgfältig durch.
- Verwenden Sie nur SNAPPER Original -Ersatzteile. Sie haben dann die Garantie, daß Ihr Mäher den Sicherheitsbestimmungen entspricht. Wichtig, nur SNAPPER Messer mit den Anfangsziffern 1-8/1-9 verwenden.
- Sollten Sie einmal auf ein Hindernis gefahren sein, lassen Sie Ihren Mäher nur von einem SNAPPER Service Fachmann überprüfen und gegebenenfalls Instandsetzen.
- Lagern Sie den Mäher nur im trockenen Raum.

**Eine Nichtbeachtung dieser Hinweise kann zu Schäden am Mäher oder gar zu körperlichen Schäden führen.**

### BEDIENUNGSHINWEISE

#### Startvorbereitungen.

Führen Sie die nachfolgenden Kontrollen vor jeder Inbetriebnahme durch.

1. Schutzvorrichtungen wie Abdeckblech, Auswurfschacht müssen an ihrem Platz und gut befestigt sein.
2. Sauberkeit  
Das Gerät muß frei sein von Schmutz, Mähgutresten und anderen Verunreinigungen. Die Kühlrippen des Zylinders müssen frei sein - Überhitzungsgefahr!
3. Motor  
Ölstand prüfen! Nur zugelassene Öle nachfüllen!  
Benzintank kontrollieren und auffüllen. Nur sauberes, nicht altes Benzin verwenden. Nur im Freien oder gut belüfteten Räumen auffüllen. Explosionsgefahr!
4. Schnitthöhenkontroll  
Evtl. neu einstellen auf gewünschte Schnitthöhe

### STARTEN

#### Handstart

Zum Anlassen Mäher auf einen Platz bringen, wo das Messer nicht durch Gras oder andere Gegenstände behindert wird.

1. Gashebel auf "Start." Bei kaltem Motor Vergaser fluten mit "Primer"-Knopf (3 x tippen).
2. Der Messerstoppbügel muß zum Starten gegen den Griffbügel gehalten werden, anderenfalls springt der Motor nicht an. Wird der Griff losgelassen, stoppt der Motor in weniger als 5 Sekunden - Sicherheitsstop.
3. Startposition zum sicheren und bequemen Motorstart einnehmen (Siehe Bild 2 des Anhang). Linke Hand am Griffbügel, rechten Fuß

auf das rechte Hinterrad setzen.

4. Starten mit der rechten Hand bei gestrecktem Arm aus der Hüfte heraus Starterseil zügig und gleichmäßig durchziehen. Starterseil langsam zurücklaufen lassen. Evtl. wiederholen, bis der Motor anspringt.

#### E-START

Das Zündschloß hat die Stellung "Betrieb" und "Start". Der Motor kann mit dem Zündschloß nicht abgestellt werden. Stoppen des Motors durch Loslassen des Griffbügels oder Gashebel auf "Aus".

1. Gashebel in "Start"-Position legen.
2. Griffbügel gegen Holm halten.
3. Mit Zündschlüssel starten, bis der Motor läuft. Achtung: Nicht länger als ca. 10 Sekunden starten, um die Batterie nicht zu überlasten. Ist die Batterie zu erschöpft, Handstart benutzen. Die Batterie ist nach ca. 1 Stunde Laufzeit durch die Lichtspule ausreichend nachgeladen.

#### BATTERIE LADEN

Sind die Betriebszeiten zu kurz, um die Batterie in geladenem Zustand zu halten, ist gelegentliches Nachladen mit dem lieferbaren Ladegerät erforderlich. Ladezeit ca. 48 Std. bei Teilladung, ca. 72 Std. bei Tiefentladung. Dauerladebetrieb zerstört die Batterie nicht.

### MÄHEN

#### Mähgeschwindigkeit

1. Bei Handmäher mit einer möglichst gleichmäßigen Geschwindigkeit schieben, die den besten Schnitt ergibt.
2. Bei Antriebsmähern kann die optimale, konstante Geschwindigkeit vorgewählt werden. Bei höherem, kräftigem Gras können Sie schneller fahren als bei dünnem, sprödem Gras.
3. Einstellen der Fahrgeschwindigkeit durch legen des Vorwählhebels in die gewünschte Fahrstufe - auch bei laufendem Motor und während des Fahrens.
  - A. Ziehen des Antriebskupplungshebels zum Einschalten des Antriebs. Beim bergab Mähen (falls unvermeidlich) kann die niedrigste Fahrstufe als "Bremse" benutzt werden. Hebel loslassen unterbricht den Antrieb (Totmannschalter).
  - B. Mit ausgeschaltetem Antrieb kann der Mäher zum "Ausputzen" als Schiebemäher benutzt werden.

### ALLGEMEINE MÄHHINWEISE

1. Das Messerdeck wird im Normalfall an allen Seiten gleich hoch eingestellt. Bei niedrigen Schnitthöhen kann der Mäher hinten eine Raste höher eingestellt werden, zur Verbesserung der Saugwirkung. Schneiden Sie bei hohem Gras nur ca. 1/3 der Gesamthalmhöhe. Soll der Rasen kürzer werden, nach einigen Tagen noch einmal bis zur gewünschten Länge schneiden. Ein kurzer Rasen benötigt mehr Wachstumsenergie zur neuen Halmbildung, das vermindert gleichzeitig die Bildung einer gesunden Wurzelstruktur.
2. In Trockenperioden den Rasen nicht zu kurz schneiden. Kurzer Rasen verbrennt leichter durch die Sonne; zu langer Rasen wird leicht gelb, da ein Teil der Halme nicht genügend Licht bekommt. Wechseln der Mährichtung bei jedem Mähvorgang (längs und quer) ergibt einen gleichmäßigen Rasenschnitt. Achtung: Mähen Sie nicht auf Flächen, die kurz vorher mit festen Pflanzenschutzmitteln oder Dünger behandelt wurden! Der Mäher würde den größten Teil wieder aufsaugen. Ausführliche Hinweise finden Sie in entsprechender Fachliteratur.

### GRASFANGSACK ENTLEREEN

Fangsack am Führungsholm und Auffangstutzen aushaken und nach oben wegnehmen.

### BEI FEUCHTEM RASEN UNBEDINGT BEACHTEN!

Fangsack nur zu - 80% - füllen, denn bei Überfüllung kann sich das Mähergehäuse und der Auswurfstutzen zusetzen. Das Sauggehäuse braucht Luft zum Saugen, daher genügend Bodenfreiheit lassen.

1. Achtung: Mäher nie ohne seitliches Auswurfblech oder Grasfangvorrichtung benutzen. Unfallgefahr!
2. Abbauen des Auswurfstutzens: Die 3 Muttern, die den Stutzen am Chassis festhalten, abnehmen. Hintere Kante des Stutzens abbiegen und über die Stiftschrauben vom Chassis abnehmen.
3. Auswurfblech anbringen: Über die Stiftschrauben am Chassis ansetzen. Zuerst über die beiden Bolzen seitlich am Messerdeck setzen, danach über den Bolzen oben. Muttern und Scheiben auf-

setzen und anziehen.

4. Zur Beachtung: Sowohl Auswurfblech als auch Schacht müssen unter dem Sicherheitsschalter liegen, der die Zündung blockiert. (Siehe Bild 9 des Anhang).

### EINSTELLEN DER SCHNITTHÖHE

1. Nie bei laufendem Motor einstellen! Warten, bis der Motor vollständig steht.
2. Zum Einstellen Rasthebel nach außen drücken und zur gewünschten Raste führen und sicher einrasten. Zuerst eine Seite, dann die andere Seite einstellen. Die höchste Raste ist die niedrigste Schnitthöheeinstellung. Zum Einstellen höherer Schnitthöhe Achse durch leichtes Kippen des Mähers entlasten.

### WARTUNG UND PFLEGE

Der Mäher selbst benötigt kaum Pflege, außer gelegentlichem Säubern. Wichtig ist die Wartung des Motors gemäß Motorhandbuch. Zu Ihrer Sicherheit: Bei allen Arbeiten am Motor ist der Kerzenstecker abzuziehen, um ungewolltes Anspringen zu verhindern. Wird der Mäher gekippt, stets so kippen, daß die Zündkerze nach oben kommt, damit nicht Benzin in den Motor läuft und der Motor "absäuft". Nach allen Arbeiten darauf achten, daß der Sicherheitsschalter, nicht durch fehlenden Fangstutzen oder Auswurfblech, das Anspringen blockiert.

#### Wartung des Antriebs

Getriebe ca. alle 25 Betriebsstunden auf Fett kontrollieren. Stopfen entfernen und bei Bedarf nachfüllen. Nicht überfüllen! Gesamtmenge ca. 60 g. Fließfett.

#### Ersatzteile und Reparatur

Verwenden Sie nur Original SNAPPER-Ersatzteile, um Sicherheit und Zuverlässigkeit des Mähers nicht zu gefährden. Fragen Sie Ihren SNAPPER-Händler um Rat, er hilft Ihnen gerne.

Wir empfehlen einmal jährlich eine Grundinspektion durch Ihren Händler. Der Händler überprüft den Mäher gründlich und kann ihn auf den neuesten Sicherheitsstand bringen. Das dient der Sicherheit und erhöht Wert und Zuverlässigkeit Ihres SNAPPERS.

#### Wartung des Messerbalkens

Achtung: Vor jeder Arbeit am Messer Kerzenstecker abziehen! Verletzungsgefahr! Das Messer regelmäßig auf festen Sitz und Zustand prüfen. Verbogene und verschlissene Messer müssen ausgewechselt werden (Siehe Bild 5 des Anhang).

1. **Stumpfe Messer** können nachgeschliffen werden, soweit sie in gutem Zustand sind. Schärfen und unabdingbares Auswuchten nur vom Fachmann! Stumpfe Messer ergeben keinen glatten Schnitt am Halm, sondern zerfetzte Enden, die nach dem Mähen braun werden. Nicht ausgewuchtete Messer erzeugen starke Vibrationen und können den Motor vorzeitig zerstören.
2. **Messernachschleifen.** Nur vom Fachmann! Empfohlener Schnittwinkel 22-28°. Das Messer auf ca. 90 mm Länge anschleifen. Nach dem Schleifen unbedingt statisch auswuchten! (Siehe Bild 6 des Anhang).
3. **Messermontage** (Siehe Bild 7 des Anhang). Nur Originalteile verwenden! Anzugsmoment 2-4 mkg.

### KUPPLUNGSGESTÄNGE BEI ANTRIEBSMÄHERN

Die PVC Hülle muß über den Federn sein. So wird die Feder gegen Verschmutzung geschützt und der Grasfangsack gegen Durchscheuern. (Siehe Bild 8 des Anhang).

### EINSTELLEN DER ANTRIEBSKUPPLUNG

Geht der Kupplungshebel schwer zu ziehen, muß das Spiel der Federn im Gestänge geprüft und eingestellt werden. Das Spiel muß 1,5-3,2 mm betragen (Siehe Bild 8 des Anhang). Zum Einstellen innere und äußere Feder aushaken. Äußere Feder im Uhrzeigersinn, innere entgegengesetzt drehen. Wieder einhaken und Abstand prüfen. Evtl. wiederholen.

Schnellert der Kupplungshebel zum Ausstellen des Antriebs beim Loslassen nicht zurück, an der Führung am Holm prüfen, ob das Gestänge klemmt. Klemme ca. 13 cm vom Griff so am Holm befestigen, daß das Gestänge leicht gleitet. Sitzt die Klemme zu hoch, kann der Druck beim Einkuppeln das Gestänge aus der Anschlußeinrastung drücken.

## ANTRIEB

### FEHLER UND URSACHE

Rutschen des Antriebs kann folgende Ursachen haben:

1. Reibantrieb durch Fett verschmiert.
2. Kupplungsfeder zu lose oder gebrochen (Siehe Bild 10 des Anhang).
3. Angetriebenes Gummireibrad beschädigt oder verschlissen. Einstellung des Gummireibrades verkehrt.
4. Ursächlich können auch rutschende, da verschlissene Keilriemen sein.

### EINSTELLEN DES GUMMIREIBRADES

Stets bei stehendem Motor arbeiten. Ganghebel in die höchste Fahrstufe legen. In dieser Stellung soll das Reibrad 3-6,5 mm vom äußeren Rand der Antriebsscheibe entfernt sein (Siehe Bild 9 des Anhang). Zum einstellen Einstellmutter lösen, Gummirad in Position bringen und Mutter wieder anziehen.

### AUSWECHSELN DES GUMMIREIBRADES

Ist der Gummibelag auf ca. 1,5 mm abgenutzt oder beschädigt, Reibrad auswechseln. Zum auswechseln Schaltgestänge aushaken (Siehe Bild 10 des Anhang) Kupplungsfeder mit Zange aushaken. Reibscheibensatz komplett abnehmen (Bild 11). Die 5 Maschinenschrauben auf der Nabe lösen und Rad auswechseln. In umgekehrter Reihenfolge zusammenbauen.

### AUSWECHSELN DES KEILRIEMENS

Auswechseln des Keilriemens zur Antrieb-Reibscheibe. Keilriemen sind wartungsfrei. Nur auf Verschleiß kontrollieren und rechtzeitig auswechseln, um Störungen zu vermeiden.

Zum Auswechseln des Riemens muß der Mäher auf die Seite gelegt werden. Kerzenstecker abziehen und Tank entleeren bzw. Belüftungsloch im Tankdeckel zukleben. Mäher auf die rechte Seite kippen, Spannarmfeder von der Befestigung am Hinterrad lösen. Gummireibrad ausbauen. Messer ausbauen (die Befestigungsmutter des Reibrades und Innenzahnring entfernen). Reibrad mit der ganzen Baugruppe aus dem Mähwerk heben und verschlissenen Riemen auswechseln. Neuen Keilriemen über die Motorkeilriemenscheibe legen, das andere Ende durch das Loch am Mähwerk führen. Innenzahnring und Befestigungsmutter auf der Antriebsreibscheibennabe anbringen und fest anziehen. Spannrolle auf Gängigkeit prüfen. Messer anbauen. Ende der Spannrollenfeder mit einem steifen Draht mit angebogenem Haken durch das größere Loch in der Hinterradhalterung ziehen und den Haken der Feder in das kleinere Loch hängen.

### AUSWECHSELN DES "POLY" KEILRIEMENS FÜR FAHRANTRIEB

Baugruppe Gummireibrad ausbauen. Riemenführung beachten, bevor Sie den verschlissenen Riemen durchschneiden und entfernen! Neuen Riemen über die Riemenscheibe auf der Sechskantwelle und über die Spannrolle legen. Riemen seitlich drehen und flach zwischen der Riemenscheibe und der Differential-Halterung durchführen. Der Riemen muß über der Keilriemenführung laufen (Siehe Bild 11 des Anhang)!

### HERBSTKONSERVIERUNG - EINLAGERN

Rasenmäher gründlich reinigen. Beim Abspritzen Elektrik, Luftfilter, Auspuff schützen. Nach dem Trocknen mit einem Korrosionsschutzöl einsprühen. Grasfangsack vollkommen entleeren. Der Fangsack ist bei 30°C waschbar. Mäher trocken aufbewahren.

### WARTUNG DES MOTORS

Die regelmäßige Ausführung der vorgeschriebenen Wartungs- und Pflegearbeiten sind die Voraussetzung für eine dauerhafte und störungsfreie Funktion des Motors.

Den Motor vor allem äußerlich stets sauber halten, besonders das Lochblech des Lüfterrads muß immer frei von Fremdkörpern sein (z.B. Grasreste). Zum Reinigen nie mit Wasser abspritzen, Zünd- und Vergaserstörungen wären die Folge.

Eine einwandfreie Kühlung ist nur gewährleistet, wenn auch die Zylinderrippen stets sauber sind.

Zu Wartungsarbeiten den Mäher nur auf die-außer beim Ölwechsel— rechte Seite legen (Tank und Vergaser nach unten), da sonst Startschwierigkeiten auftreten könnten.

### VERGASEREINSTELLUNG

Zum Ausgleich von Kraftstoff, Temperatur, Höhen oder Belastungsun-

terschiede kann eine geringfügige Nachjustierung des Vergasers erforderlich werden.

Bei allen Vergasereinstellungen muß das Luftfilter festverschraubt sein und der Tank halbvoll sein.

Zur Grobeinstellung wird das Nadelventil nach rechts gedreht, bis es gerade geschlossen ist.

Vorsicht!

Das Ventil nicht zu hart eindrehen, da sonst der Ventilsitz beschädigt wird!

Das Ventil 1/2 Umdrehungen nach links öffnen und den Motor starten. Bei warmem Motor und max. Drehzahl (Handhebel der Oberbedienung auf „MAX“!) wird die Feineinstellung des Vergasers durchgeführt.

Dazu das Nadelventil soweit rechts herumdrehen, bis der Motor ungleichmäßig läuft (=mageres Gemisch). Anschließend das Ventil über den Rundlaufpunkt soweit nach links drehen bis der Motor ebenfalls unruhig läuft (=zu fettes Gemisch). Die Mittellage zwischen diesen beiden Einstellungen ist die Vergasereinstellung, bei der der Motor hörbar rund läuft.

Zur Kontrolle der Vergasereinstellung wird der Motor aus der Leerlaufdrehzahl (ca. 1750 min<sup>-1</sup>) zur max. Drehzahl (2800 min<sup>-1</sup>) beschleunigt, indem der Handhebel zügig von „MIN“ auf „MAX“ gestellt wird.

Der Motor muß sauber und ohne zu stottern hochdrehen. Ist dies nicht der Fall, so ist der Vergaser etwas mehr auf fettes Gemisch zu stellen (Nadelventil links herumdrehen).

### ÖLWECHSEL

Der erste Ölwechsel bei neuem Motor ist nach ca. 5 Betriebsstunden erforderlich. Später etwa alle 50 Betriebsstunden oder mindestens einmal pro Mähseason.

Zum Ölwechsel wird der Meßstab aus dem Einfüllstutzen entfernt und der Mäher so zur Seite gelegt, daß das Altöl in ein Auffanggefäß abfließt.

Den Mäher gerade stellen und am Stutzen ca 0,5 l. Markenöl SAE 30 oder gleichwertiges Mehrbereichsöl einfüllen. Nicht vergessen! Den Meßstab einschrauben und Ölstand kontrollieren!

### REINIGEN BZW. AUSTAUSCH DES LUFTFILTERS

Die Schraube am Luftfilterdeckel lösen und den Deckel nach unten aufklappen. Den Filtereinsatz vorsichtig herausnehmen und auf einer glatten Fläche leicht ausklopfen oder bei starker Verschmutzung in warmer Waschlauge auswaschen. In diesem Fall den Filtereinsatz anschließend unter fließendem Wasser von innen nach außen ausspülen. Den Einsatz an der Luft völlig trocknen lassen. Niemals einölen oder mit Druckluft ausblasen. Stark verschmutzte oder verölte Filtereinsätze müssen ausgetauscht werden. Nach dem Reinigen bzw. Austausch das Filterelement ins Gehäuse einsetzen und den Deckel sorgfältig verschließen.

Bei ungünstigen Einsatzbedingungen (starke Staubeentwicklung) ist die Reinigung zu jedem Mähen erforderlich, anderenfalls alle 3 Monate oder nach jeweils 25 Betriebsstunden.

### KONTROLLE DER ZÜNDKERZE

Zu Verschleißprüfung den Zündkerzenstecker abziehen und die Zündkerze herauserschrauben. Ist die Elektrode stark abgenutzt, muß die Zündkerze in jedem Fall ersetzt werden. Anderenfalls genügt es, die Kerze mit einer Stahlbürste zu reinigen und den Elektrodenabstand auf 0,75 mm einzustellen. Die Zündkerze (auf Dichtring achten) von Hand in den Motor einschrauben und mit dem Steckschlüssel handfest anziehen. Kerzenstecker aufdrücken.

### STÖRUNGSTABELLE

#### MOTOR SPRINGT NICH AN

- Benzinbahn zu
- Kein Benzin
- Handhebel auf "Stop"
- Zündkerzenstecker lose
- Zündkerze defekt bzw. verschmutzt oder Elektroden abgebrannt

- Motor bekommt zuviel Benzin (Zündkerze naß)
- Luftfilter verschmutzt
- Zündung defekt
- WICHTIG: Auswurfstutzen/Prallblech ist nicht richtig montiert.

#### MOTORLEISTUNG LÄßt NACH

- Luftfilter verschmutzt
- Zündkerze verrußt
- Benzintank verunreinigt
- Vergaser verstopft

#### MOTOR LÄUFT UNREGELMÄßIG

- Vergaser, Zündanlage und Reglergestänge überprüfen

#### STARKE ERSCHÜTTERUNGEN (VIBRIEREN)

- Motorbefestigung lose
- Messerbalken lose
- Messerkupplung exzentrisch eingelaufen
- Messerbalken beim Schleifen nicht ausgewuchtet

#### RASEN WIRD GELB, SCHNITT UNSAUBER

- Messerbalken stumpf
- Schnitthöhe zu niedrig
- Motordrehzahl zu gering

#### AUSWURF VERSTOPFT

- Motordrehzahl zu gering
- zu niedrige Schnitthöhe bei zu hohem Gras
- Messerbalken verschlissen
- Führungsblech des Fangsackes verbogen

### GEWÄHRLEISTUNGSBEDINGUNGEN

SNAPPER übernimmt gemäß den nachfolgenden Bestimmungen die Gewähr für Fehlerfreiheit dieser Maschine, die nach den neuesten Erkenntnissen der Technik und unter Verwendung von bestem Material angefertigt wurde, auf die Dauer von: 2 Jahre. Für Garantiearbeiten am Motor ist ausschließlich der Motorhersteller zuständig. Während der Dauer der Gewährleistung werden auftretende Fehler und Mängel am Gerät kostenlos beseitigt, soweit sie nachweislich auf Material-

Verarbeitungs- und/oder Konstruktionsfehler zurückzuführen sind. Diese Gewährleistung bezieht sich nicht auf solche Schäden, die durch normale Abnutzung, unsachgemäße Behandlung, fahrlässigen Gebrauch, Einbau von nicht Original Snapper Ersatzteile, ungenügender Pflege und/oder Wartung oder Nichtbeachtung der Gebrauchsanweisung entstehen. Die Gewährleistung für den professionellen Einsatz beträgt 3 Monate. Über die zugesagten Gewährleistung hinausgehende Ansprüche werden von SNAPPER nicht anerkannt. Bei Beanstandung wenden Sie sich unter Vorlage dieser Gewährleistungs-Bedingungen an Ihren SNAPPER Händler. Wartungs- und Reinigungsarbeiten fallen nicht in die SNAPPER Gewährleistungs-Bedingungen. Erfüllungsort für Lieferung- und Gewährleistungs-Bedingungen ist der Sitz des SNAPPER Importeur.

**Wichtiger Hinweis:** Die Motorgarantiezeit beträgt 2 Jahre und muß im Bedarfsfall beim Motorhersteller geltend gemacht werden.

### SINNVOLLES ZUBEHÖR

Macht Ihren SNAPPER vielseitig.

#### MULCHEINSATZ (MULCHERIZER)

Zerkleinert das Schnittgut in einen streu fähigen Mulch, der auf dem Rasen als "Naturdüngung" verbleiben kann.

#### SNAPPERIZER

Nimmt Schnitgut, Laub und andere kleine Abfälle auf und zerkleinert alles in eine kompostierfähige Masse.

#### GRASFANGVORRICHTUNG

Soweit nicht bereits so geliefert, jederzeit nachrüstbar. Erspart mühsames harken. Bequeme Handhabung.

#### VERTIKUTIERVORSATZ

Die stählernen Vertikuliernadeln lüften den Boden und "rupfen" Moos und abgestorbene Pflanzenreste aus dem Boden.

Das Hi-Vac System saugt alles gleichzeitig auf.

## WER IST SNAPPER?

Snapper ist seit Jahrzehnten ein bedeutender Hersteller von hochwertigen Gartenpflege- und Schneeräumgeräten. Ein qualifizierter Ingenieurstab und über 1500 langjährige Mitarbeiter, sowie der seit Jahren stetig wachsende Umsatz haben Snapper heute zum größten Markenhersteller für Gartenpflegegeräte gemacht. Das Programm umfaßt Manuellmäher, Reitermäher, Rasentraktoren, Motorhacken, Freischneider und Schneefräsen. Das Snapper Erfolgskonzept: höchste Qualität und konsequenter Absatz über den Fachhandel. Weltweit verfügt Snapper über mehr als 130 unabhängige Großhändler in 25 Ländern. Sie beliefern mehr als 14000 Fachhändler und betreuen Millionen zufriedener Snapper-Kunden. Snapper seit 1951 ist ein Begriff für Dienst am Kunden durch Qualität und Leistung.

### GARANTIEURKUNDE

Kaufdatum: \_\_\_\_\_

Lieferant: \_\_\_\_\_

Bezeichnung und Art des angetriebenen Gerätes \_\_\_\_\_

Hersteller des angetriebenen Gerätes \_\_\_\_\_

Stempel und Unterschrift des Fachhändlers	Modellnummer
	Typennummer

Bei Reklamation bitten wir, der Werkstatt bei Auftrageserteilung diese Karte vorzulegen. Nur vom Händler ausgefüllte Garantiekarten sind gültig.



Merci d'avoir acheté un produit SNAPPER! Etudiez ce manuel de l'utilisateur très attentivement afin de vous familiariser avec les commandes de votre tondeuse et prêtez une attention toute particulière aux conseils de sécurité.

## IMPORTANTS CONSEILS DE SECURITE

Attention: Ignorer les conseils suivants peut provoquer de sérieuses blessures sur la personne de l'utilisateur ou d'autres.

### PREPARATION

1. Lisez ce manuel attentivement et n'hésitez pas à vous adresser au concessionnaire SNAPPER si tout n'est pas clair.
2. Ne laissez jamais d'enfants se servir d'une tondeuse à moteur.
3. Ne tondez pas la pelouse à proximité de personnes, spécialement de jeunes enfants, ou d'animaux.

### CONSEILS D'UTILISATION

1. N'utilisez jamais la tondeuse sans que les carters, plaques, commutateurs et autres dispositifs de sécurité soient en place et correctement fixés.
2. Inspectez avec attention l'endroit où la tondeuse doit être utilisée et supprimez toutes les pierres, bâtons, fils métalliques, os, et tous autres objets étrangers qui traîneraient. Localisez aussi les trous, souches, et autres dangers possibles.
3. Ne conduisez pas la tondeuse pieds nus ou en sandales. Portez toujours des chaussures résistantes et des pantalons longs.
4. Ne faites pas le plein à l'intérieur ou quand le moteur tourne. Essayez l'essence renversée avant de mettre le moteur en marche. Ne le faites pas tourner à l'intérieur d'un bâtiment.
5. Assurez-vous que la commande de transmission est débrayée avant de mettre le moteur en marche.
6. Ne tentez jamais de régler la hauteur d'une roue lorsque le moteur tourne.
7. La tondeuse doit être réglée sur la hauteur de coupe maximale pour tondre des herbes hautes ou sur un terrain accidenté.
8. N'utilisez la tondeuse qu'à la lumière du jour ou dans une bonne lumière artificielle.
9. Tenez bien les mancherons et marchez toujours. Ne courez jamais.

### UTILISATION

1. Ne modifiez pas les réglages du régulateur de vitesse du moteur, ne la mettez pas en surrégime.
2. Ne mettez jamais les mains et les pieds près des éléments rotatifs. Ne restez pas devant la goulotte d'éjection quand le moteur tourne.
3. Arrêtez le moteur pour traverser des allées de gravier, des chemins ou à chaque fois que des objets pourraient être projetés.
4. Après avoir heurté un objet étranger ou si la tondeuse vibre de façon excessive, arrêtez le moteur et débranchez le fil de la bougie. Inspectez la tondeuse pour vérifier si elle est endommagée.
5. Arrêtez le moteur avant d'abandonner la tondeuse, que ce soit pour vider le collecteur d'herbe, procéder à un réglage, à une réparation, ou à une vérification.
6. Assurez-vous que la lame et toutes les parties rotatives de la tondeuse sont arrêtées avant de nettoyer, réparer ou vérifier la tondeuse. Débranchez le fil de la bougie pour éviter que la tondeuse ne se mette en marche accidentellement.
7. Tondez les pentes transversalement, jamais en montant ou en descendant et faites très attention en changeant de direction. Ne tondez pas sur des pentes trop abruptes.

### ETRETIEN ET HIVERNAGE

1. Ne rangez jamais la tondeuse avec de l'essence dans son réservoir à l'intérieur d'un bâtiment où les gaz pourraient entrer en contact de flammes ou d'étincelles. Laissez refroidir le moteur avant de ranger la tondeuse dans un endroit clos.
2. Nettoyez la tondeuse de toute herbe, feuilles mortes, ou excès de graisse.
3. Vérifiez souvent que le sac à herbe n'est pas usé ou endommagé.
4. Faites inspecter et réviser votre tondeuse chaque année par un concessionnaire SNAPPER.
5. N'utilisez que des pièces de rechange SNAPPER.

### CONSEILS D'UTILISATION

Pour faciliter le démarrage, conduisez la tondeuse vers un endroit sans herbes hautes afin de faire tourner la lame librement. Le moteur s'arrête si vous relâchez LA COMMANDE DE LA LAME (Voir B fig. 1 de

l'Appendice) ou si vous ramenez LA COMMANDE DU MOTEUR (Voir A fig. 1 de l'Appendice) vers vous sur la position STOP. Sur les modèles autotractés, la tondeuse s'arrête si vous relâchez LA COMMANDE DE TRACTION (Voir C fig. 1 de l'Appendice). Reportez-vous au dessin 1 pour voir où se trouvent ces commandes.

### VERIFICATIONS AVANT DEMARRAGE

- VÉRIFIEZ le serrage et la bonne position des carters de sécurité, adapteur et déflecteur.
- INSPECTEZ les surfaces de la tondeuse et veillez à ce que des particules d'herbe, des poussières etc., n'obstruent pas les volets du refroidissement par air.
- VERIFIEZ le niveau d'huile dans le carter du moteur et ajoutez-en si nécessaire.
- RÉGLEZ la hauteur de coupe selon la condition de l'herbe à tondre AVANT de démarrer.
- FAITES LE PLEIN DE CARBURANT au dehors, là où les vapeurs d'essence peuvent facilement se dissiper\*.

### DEMARRAGE ET ARRET DU MOTEUR

Le moteur (et la lame) des modèles à démarrage électrique et manuel peuvent être arrêtés de la même façon en relâchant la COMMANDE DE LA LAME (Voir B fig. 1 de l'Appendice) ou en ramenant LA COMMANDE DU MOTEUR (Voir A fig. 1 de l'Appendice) vers vous sur la position STOP.

**DEMARRAGE AU LANCEUR:** Le moteur ne peut être démarré que si la COMMANDE DE LA LAME (Voir B fig. 1 de l'Appendice) est tenue contre la barre supérieure. Si le moteur est froid, poussez le starter si la machine en est équipée.

1. Placez LA COMMANDE DU MOTEUR (Voir A fig. 1 de l'Appendice) sur la position START.
2. Placez le pied sur le dessus du pneu arrière.
3. Tenez fermement LA COMMANDE DE LA LAME (Voir B fig. 1 de l'Appendice) contre la poignée supérieure.
4. Baissez-vous pour atteindre LE LANCEUR. (Voir F fig. 2 de l'Appendice)
5. Tirez sur le lanceur en vous redressant de façon à utiliser les muscles de votre dos plutôt que ceux de vos bras. (Voir G fig. 2 de l'Appendice)
6. Guidez le lanceur lentement jusqu'au moteur, continuez à tenir la commande de la lame et placez-vous derrière les mancherons en position de conduite.

**DEMARRAGE ELECTRIQUE:** La clé de contact (Voir E fig. 1 de l'Appendice) a deux positions: RUN et START. Le moteur ne peut être arrêté à l'aide de cette clé. L'arrêt se produira soit en relâchant la COMMANDE DE LA LAME (Voir B fig. 1 de l'Appendice) soit en amenant la COMMANDE DU MOTEUR (Voir A fig. 1 de l'Appendice) en position STOP. Si le moteur est froid, poussez le starter si la machine en est équipée.

1. Placez LA COMMANDE DU MOTEUR (Voir A fig. 1 de l'Appendice) en position START.
2. Tenez fermement LA COMMANDE DE LA LAME (Voir B fig. 1 de l'Appendice), contre la poignée supérieure.
3. Tournez la clé de contact (Voir E fig. 1 de l'Appendice) en position START et maintenez-la dans cette position jusqu'à ce que le moteur démarre, puis relâchez-la.

**REMARQUE:** N'essayez pas de faire tourner le démarreur plus de 10 secondes consécutives. Laissez quelques temps s'écouler avant de recommencer à essayer de démarrer.

Si la batterie n'était pas assez chargée pour faire démarrer le moteur, servez-vous du lanceur. Les moteurs sur les modèles équipés d'un démarreur électrique sont munis d'alternateurs qui devraient garder la batterie chargée quand la tondeuse est utilisée fréquemment. Des chargeurs en option à brancher sur le secteur sont en vente chez votre concessionnaire SNAPPER pour recharger à partir du courant domes-

tique: en 220 V / 50 HZ, ou 120 V / 60 HZ.

**CHARGE DE LA BATTERIE:** Quand vous rechargez la batterie en vous servant du chargeur branchez pendant 48 heures si la batterie est faible ou pendant 72 heures si elle est complètement déchargée.

## PROCEDES DE TONTE:

Varyez la vitesse suivant les conditions de l'herbe. Choisissez une vitesse lente pour une herbe haute et épaisse et rapide pour une herbe clairsemée. Sur les modèles autotractés, ajustez LA COMMANDE DE LA VITESSE (Voir D fig. 1 de l'Appendice) à la vitesse d'avancement désirée, puis empoignez la COMMANDE DE TRACTION (Voir C fig. 1 de l'Appendice) et tenez-la contre le mancheron pour embrayer la vitesse d'avancement. La vitesse de traction peut être modifiée à tout moment lorsque la tondeuse est en marche. Servez-vous du ralenti pour freiner en descente.

En règle générale, ne coupez jamais à plus du tiers de la hauteur de l'herbe. Si vous préférez obtenir une herbe plus courté, attendez quelques jours et recoupez à une hauteur de coupe plus basse. Si l'herbe est coupée trop courte, elle dépensera plus d'énergie à développer l'épaisseur de ses brins au détriment de ses racines et elle sera plus sujette aux brûlures du soleil. D'un autre côté, si vous laissez l'herbe devenir trop haute, la partie inférieure sera à l'ombre et une décoloration en résultera. Pendant les périodes de sécheresse, laissez l'herbe pousser plus haute qu'en période normale.

## VIDAGE DU SAC COLLECTEUR D'HERBE

Soulevez-le en le dégageant de la goulotte placée sur la tondeuse et de la poignée située en bas à l'arrière. Afin de conserver le sac en bon état, videz-le après chaque utilisation, et avant de ranger la tondeuse. Ne vous servez JAMAIS de la tondeuse sans que le sac et la goulotte du sac ne soient en place—si l'ensachage n'est pas nécessaire, installez le déflecteur latéral au lieu du sac et de la goulotte (en option).

## REGLAGE DE LA HAUTEUR DE COUPE

Tirez la manette réglant la hauteur située sur chaque roue vers l'extérieur et faites glisser cran par cran, jusqu'à la position désirée. En mettant les manettes dans le plus haut cran vous sélectionnez la hauteur de coupe la plus basse tandis qu'en les mettant dans le cran le plus bas vous obtenez la hauteur de coupe la plus élevée. Reportez-vous au dessin No. 3 pour obtenir la hauteur de coupe approximative correspondant à chacune des positions des manettes.

## ENTRETIEN

Il est important que le moteur soit révisé à des intervalles réguliers, comme il est recommandé dans le manuel du moteur qui accompagne votre tondeuse. Lorsque vous inspectez votre tondeuse, débranchez toujours le fil de la bougie complètement pour éviter que la tondeuse ne démarre accidentellement.

Ne vous servez que des pièces de rechange Snapper. Contactez votre concessionnaire pour les pièces de rechange et le service après-vente Snapper. Nous recommandons que vous fassiez réviser votre tondeuse chaque année par un concessionnaire Snapper. Pour les pièces détachées et l'entretien de votre moteur, adressez-vous au représentant de la marque de votre moteur.

## LUBRIFICATION

**MOTEUR—**Changez l'huile toutes les 25 heures de travail.

**TRANSMISSION—**Retirez le bouchon et vérifiez toutes les 25 heures d'utilisation. Si la graisse n'est pas visible à l'entrée de la boîte de vitesses (Voir fig. 5), ajoutez une petite quantité de graisse. ATTENTION: Ne graissez pas de trop—Ne pas dépasser 50 g de graisse. N'oubliez pas de remettre le bouchon sur la boîte de vitesses. Utilisez la graisse spéciale Snapper.

**PARTIES MOBILES DE LA TONDEUSE—**De temps en temps, mettez quelques gouttes d'huile sur les surfaces mobiles.

## ENTRETIEN DE LA LAME

ATTENTION: Avant de vérifier ou de réparer la lame, débranchez le fil de la bougie pour éviter que la tondeuse ne démarre par accident.

**VERIFIEZ** fréquemment que la lame est parfaitement attachée et en bon état. (Voir O fig. 6 de l'Appendice)

**REPLACEZ** la lame si elle est ébréchée, tordue, ou mal équilibrée, ou dès qu'une brèche commence à se former comme le montre (Voir P fig. 6 de l'Appendice). Cette forme d'usure se produit plus rapidement sur les sols sablonneux.

ATTENTION: Ne jamais vous servir de la tondeuse lorsque la lame est usée au stade montré (Voir Q fig. 6 de l'Appendice).

**AFFUTEZ** la lame quand les bords coupants sont émoussés mais la lame en bonne condition. Quand la lame est émoussée, le bout de l'herbe coupée n'est pas net et devient généralement marron peu de temps après la tonte.

**INSTALLEZ** la lame affûtée ou de rechange avec les pièces et dans l'ordre montré dans le dessin 7.

## TIMONERIE DE L'EMBRAYAGE

Assurez vous que la gaine en vinyle reste en place sur le ou les ressorts reliant la tige de l'embrayage aux pièces de la poulie de tension (Voir dessin No 8). Ceci non seulement permet aux ressorts de rester propres mais aussi de les empêcher de frotter contre le sac collecteur.

**REGLAGE:** Si une pression excessive est nécessaire pour retenir le levier d'embrayage (Voir C fig. 1 de l'Appendice) en position de marche, les ressorts de la tige de l'embrayage sont probablement mal réglés. Ceci peut être vérifié avec le moteur arrêté et la poignée de l'embrayage relâchée. Pour que le réglage soit correct, il doit y avoir un écartement de 2 mm à 3 mm entre le crochet intérieur du ressort et le piton intérieur de la biellette de traction de l'embrayage comme le montre le dessin 8. Pour régler, décrochez les ressorts et faites-les pivoter en sens inverse, puis raccrochez-les et vérifiez l'écartement nouvellement obtenu. Si la poignée d'embrayage ne revient pas toute seule pour débrayer la transmission quand la poignée est relâchée, vérifiez que l'attache reliant la tige au mancheron n'est pas bloquée. Placez cette attache et faites-la tourner jusqu'à ce que vous trouviez la meilleure position qui permettra à la tige de glisser sans interférence.

## ENTRETIEN DE LA ROUE MENE

Si la tondeuse ne tracte pas aisément lorsque l'embrayage est mis, cela est peut-être dû aux problèmes suivants: graisse sur le disque de transmission (Voir S fig. 9 de l'Appendice) qui le fait patiner; coupure ou décrochage d'un ressort d'assemblage (Voir V fig. 10 de l'Appendice) ou roue menée (Voir T fig. 9 de l'Appendice) trop usée, mal réglée, courroies usées.

**REGLAGE DE LA ROUE MENE (9-T):** Avec le moteur arrêté et le levier de vitesse placé sur la vitesse maximale devrait être 3 et 6 mm du bord du disque comme le montre le dessin No 9. Desserrez l'écrou hexagonal de la pièce de raccordement (Voir U fig. 9 de l'Appendice) et faites glisser l'assemblage de la roue T vers l'intérieur ou l'extérieur jusqu'à ce qu'il soit entre 3 et 6 mm du bord du disque S. Resserrez bien l'écrou U pour fixer ce nouveau réglage.

**REPLACEMENT DE LA ROUE MENE (9-T):** Si le caoutchouc de la roue T est sévèrement endommagé ou usé au point de n'être plus qu'à 2 mm de la jante en métal. Retirez la bride et détachez la tige de transmission (Voir Z fig. 10 de l'Appendice). A l'aide d'une pince à bec effilé, décrochez le ressort de traction (Voir V fig. 10 de l'Appendice) et faites sortir l'assemblage de la roue T en le glissant (Fig. 11). Retirez les 5 vis retenant le caoutchouc et séparez-le de son moyeu. Faites l'inverse pour installer la pièce neuve.

## ENTRETIEN DES COURROIES

Le glissement de courroies usées empêchera la machine de bien avancer.

**REPLACEMENT DE LA COURROIE DU MOTEUR (DD):** Débranchez le fil de la bougie et videz le réservoir. Débranchez le ressort (Voir AA fig. 12 de l'Appendice) l'assemblage de la roue menée T. Inclinez la tondeuse, retirez la lame et son moyeu, puis enlevez l'écrou retenant le disque de transmission S et la rondelle de blocage de la dent interne. Enlevez l'assemblage de la poulie (Voir BB fig. 12 de l'Appendice) et retirez la courroie défectueuse. Formez une boucle avec une extrémité de la courroie de rechange et enroulez-la autour de la poulie (Voir CC fig. 12 de l'Appendice) et insérez la à travers l'ouverture de la coupole. Enroulez la courroie autour de la poulie (Voir BB fig. 12 de l'Appendice) et poussez l'assemblage en position au dessus de la coupole. Installez la rondelle et l'écrou de renfort et bloquez bien le tout.

## ACCESSOIRES SNAPPER

Selon son modèle, votre tondeuse peut être équipée d'un ou de plusieurs accessoires.

**LE BROYEUR** Convertit votre tondeuse en un aspirateur et un broyeur de brins d'herbe et de feuilles mortes que vous pourrez parsemer sur votre pelouse avec le déflecteur ou ensacher avec le collecteur d'herbe.

**LE PULVERISATEUR** Convertit votre tondeuse en une pulvérisatrice qui coupe et pulvérise l'herbe avant de l'éparpiller directement sur votre pelouse comme engrais.

**LA DECHAUMEUSE** s'adapte à l'avant des modèles autotractés pour débarrasser le chaume et l'aspirer dans le collecteur d'herbe.

**L'ANDAINEUR** Si votre tondeuse est équipée d'un collecteur d'herbe, elle peut être rapidement convertie en éjection latérale avec déflecteur.

**LE BAC COLLECTEUR D'HERBE:** Un système d'ensachage avec un bac collecteur d'herbe a sac de poubelle peut y être adapté. (Pac-en-Sac).

**REPLACEMENT DE LA COURROIE (EE):** Cette courroie peut être remplacée après avoir retiré l'assemblage de la roue menée T. Observez le circuit de la vieille courroie autour des poulies avant de la couper ou de la retirer. Faites glisser la courroie au dessus des sillons de l'arbre hexagonal, de la poulie de tension de l'embrayage, et des poulies de transmission.

### HIVERNAGE

Débranchez le fil de la bougie complètement, retournez la tondeuse sur le côté et nettoyez soigneusement le dessous de la coupole. Nettoyez les surfaces extérieures de la tondeuse et laissez-la sécher, puis graissez toutes les surfaces métalliques exposées avec une mince couche d'huile pour éviter la rouille. Assurez-vous que le collecteur d'herbe est complètement vide pour éviter qu'il ne pourrisse ou qu'il ne moisisse. Le sac collecteur peut être lavé avec de la lessive mais laissez-le bien sécher après lavage. Rangez la tondeuse dans un endroit sec à l'abri des intempéries. Une housse spéciale d'hivernage est disponible en option.

## QUI EST SNAPPER?

Snapper est un des noms le plus respectés pour matériel de gazon, jardin et déneigement. Snapper est un des plus grands fabricants de matériel de gazon et de jardin vendu au particulier. Ce matériel comprend les tondeuses à pousser et autotractées, les tondeuses autoportées, les tracteurs de jardin, les motoculteurs, les débroussailleuses, et les chasse-neige. La clé du succès de Snapper réside dans la qualité de ses produits et l'excellence de son réseau mondial de distribution. Snapper fabrique tout son outillage à l'exception des moteurs. Aujourd'hui, Snapper compte plus de 130 centres de distribution internationaux répartis dans 25 pays du monde. Ces centres approvisionnent plus de 14.000 marchands agréés. Depuis 1951, Snapper est synonyme de qualité, performance et robustesse à travers le monde.

## GARANTIE

Vendu le: \_\_\_\_\_

Par: \_\_\_\_\_

Modèle Nr. \_\_\_\_\_ No. de Série: \_\_\_\_\_

\_\_\_\_\_  
TIMBRE ET SIGNATURE DU CONCESSIONNAIRE

**GRAZIE per aver acquistato un prodotto SNAPPER! Studiate questo libretto d'istruzioni attentamente per imparare come operare i vari comandi e fate particolare attenzione alle importanti precauzioni di sicurezza.**

## IMPORTANTI ISTRUZIONI DI SICUREZZA

**ATTENZIONE:** Non seguire le seguenti istruzioni può causare danni all'operatore o ad altre persone.

### ADDESTRAMENTO

1. Leggete attentamente questo manuale e se qualche punto vi è poco chiaro, chiedete al vostro concessionario.
2. Non lasciate mai adoperare la tagliaerba a dei bambini.
3. Tenete la zona di lavoro libera da persone, particolarmente bambini piccoli e animali domestici.

### PREPARAZIONE

1. Non adoperate mai la tagliaerba senza gli schermi protettivi, le piastre, gli interruttori di sicurezza o altri dispositivi di sicurezza.
2. Ispezionate attentamente l'area da tagliare e togliete tutte le pietre, i bastoni, i fili, gli ossi e altri oggetti estranei. Notate anche dove ci sono delle buche, dei ceppi o altri possibili ostacoli.
3. Non adoperate mai la tagliaerba a piedi nudi o con sandali aperti. Calzate sempre delle calzature resistenti e dei calzoni lunghi.
4. Non riempite il serbatoio della benzina al chiuso o col motore acceso. Non accendete il motore al chiuso.
5. Assicuratevi che il comando di trasmissione sia disinserito prima di avviare il motore.
6. Quando il motore gira, non regolate l'altezza delle ruote.
7. Quando si taglia su terreni sconnessi o con erba alta, la tagliaerba dovrebbe essere regolata nella posizione di taglio più alta.
8. Lavorate solo alla luce del giorno o con buona illuminazione artificiale.
9. Tenete ben stretto il manubrio e camminate, senza correre.

### USO

1. Non cambiate la regolazione del motore o del limitatore di velocità.
2. Non mettete le mani o i piedi vicino o sotto le parti rotanti: tenete la zona di scarico libera quando il motore è in funzione.
3. Fermate il motore quando attraversate strade o sentieri di ghiaia e ogni situazione dove ci siano degli oggetti che se lanciati possono diventare pericolosi.
4. Dopo aver urtato un oggetto estraneo o se la tagliaerba ha delle vibrazioni anormali, spegnete il motore e staccate lo spinotto della candela. Controllate se ci sono danni e riparatevi.
5. Spegnete il motore per lo svuotamento del sacco raccoglierba e per fare qualsiasi riparazione, regolazione o ispezione.
6. Prima di pulire, riparare o controllare, staccate lo spinotto della candela.
7. Tagliate perpendicolarmente nei pendii, mai sú e giù. Fate attenzione quando cambiate direzione. Non lavorate su pendii troppo scoscesi.

### MANUTENZIONE E MAGAZZINAGGIO

1. Fate raffreddare il motore prima di riporlo al chiuso.
2. Tenete la tagliaerba libera da erba, foglie o grasso eccessivo.
3. Controllate spesso se la borsa raccoglierba è consumata o deteriorata.
4. Fate controllare la vostra tagliaerba ogni anno da un concessionario autorizzato SNAPPER.
5. Impiegate solo ricambi originali SNAPPER.

### ISTRUZIONI PER L'USO

Per un avvio più facile, portate la tagliaerba in una zona senza erba alta dove la lama può girare liberamente. Il motore si ferma lasciando il COMANDO DELLA LAMA (Vedere B fig. 1 dell'Appendice) o spostando il COMANDO DEL MOTORE (Vedere A fig. 1 dell'Appendice) nella posizione STOP. L'avanzamento viene fermato lasciando il comando di TRASMISSIONE (Vedere C fig. 1 dell'Appendice). Vedere figura 1 per l'ubicazione dei vari comandi.

### CONTROLLI PRE-AVVIAMENTO

- CONTROLLATE che tutti gli schermi protettivi, la borsa raccoglierba e l'adattatore o il tubo di scarico laterale siano al loro posto e siano ben fissati.

- CONTROLLATE la tagliaerba e rimuovete ogni accumulo di polvere, sporcizia, detriti di erba asciutti, ecc. Tenete sempre liberi e ben puliti gli spazi tra le alette della testata per il raffreddamento.
- CONTROLLATE il livello dell'olio e se necessario aggiungetene fino al livello "full".
- CONTROLLATE l'altezza del taglio e regolatela.
- RIEMPITE il serbatoio con benzina fresca e pulita dopo aver portato la tagliaerba all'aperto.

### ACCENSIONE E SPEGNIMENTO DEL MOTORE

Il motore si ferma lasciando il COMANDO DELLA LAMA (Vedere B fig. 1 dell'Appendice) o spostando il COMANDO DEL MOTORE (Vedere A fig. 1 dell'Appendice) nella posizione STOP.

**ACCENSIONE CON LA FUNE:** Il motore non può essere acceso se il COMANDO DELLA LAMA non è premuto contro il manubrio. Se il motore è freddo, azionate lo starter se in dotazione.

1. Mettete il COMANDO DEL MOTORE (Vedere A fig. 1 dell'Appendice) nella posizione START.
2. Mettete il piede contro la ruota posteriore.
3. Tenete ben premuto contro il manubrio il COMANDO DELLA LAMA (Vedere B fig. 1 dell'Appendice).
4. Flettete il busto per arrivare alla manopola.
5. Tirate la fune agendo di più col movimento della schiena che con quello del braccio (Vedere F fig. 2 dell'Appendice).
6. Fate riarrotolare la fune lentamente. Tenete premuto il comando della lama (Vedere B fig. 1 dell'Appendice).
7. Sistematevi dietro al manubrio nella posizione di lavoro.

**ACCENSIONE ELETTRICA:** l'interruttore elettrico d'accensione a chiave (Vedere E fig. 1 dell'Appendice) ha due posizioni: RUN e START. Il motore non può essere fermato per mezzo di detto interruttore ma solo lasciando il COMANDO DELLA LAMA (Vedere B fig. 1 dell'Appendice) o spostando il COMANDO DEL MOTORE (Vedere A fig. 1 dell'Appendice) nella posizione STOP. Se il motore è freddo, premete lo starter se in dotazione.

1. Spostate il COMANDO DEL MOTORE (Vedere A fig. 1 dell'Appendice) nella posizione START.
2. Tenete ben premuto contro il manubrio il COMANDO DELLA LAMA (Vedere B fig. 1 dell'Appendice).
3. Inserite la chiave (Vedere E fig. 1 dell'Appendice) e giratela nella posizione START fino a quando il motore non parte.

**NOTA:** Per evitare di scaricare la batteria e/o surriscaldare il motorino d'avviamento, non fatelo girare per più di 10 secondi alla volta. Tra una prova e l'altra lasciate riposare per qualche secondo.

Se la batteria non è carica usate la fune. Carica-batterie da attaccare alle prese da 220 V sono disponibili presso il vostro concessionario SNAPPER.

**RICARICA DELLA BATTERIA:** Ricaricate la batteria per 48 ore se debole, o per 72 ore se completamente scarica.

**NOTA:** una carica continua non danneggia la batteria.

### CONSIGLI PER UN TAGLIO PERFETTO

Variate le velocità a seconda delle situazioni. Selezionate basse velocità per erba alta e spessa, alte per erba rada. Sui modelli semoventi selezionate il COMANDO DI VELOCITÀ (Vedere D fig. 1 dell'Appendice) nella posizione desiderata, premete comando di TRASMISSIONE RUOTE (Vedere C fig. 1 dell'Appendice) contro il manubrio per innestare la marcia. Rilasciandolo la tagliaerba si ferma. La velocità può essere variata durante l'avanzamento. Per frenare su pendii usate la bassa velocità.

Come regola generale non tagliare mai più di 1/3 dell'altezza dell'erba.

La posizione piú bassa dá un'altezza di taglio di circa 8 cm (Vedere fig. 3 dell'Appendice per le altezze di taglio). Se tagliate l'erba troppo corta, l'erba spenderá piú energie per sviluppare nuove foglie e meno per la salute della radici, e sará piú soggetta a seccarsi. Dall'altro lato, se la lasciate crescere troppo, la parte piú bassa sará all'ombra e quindi non sará verde. In periodi di siccità fate crescere l'erba piú di quel che fareste normalmente.

I detriti finemente sminuzzati danno nutrimento al suolo per aiutare la crescita dell'erba. Se sono troppo pesanti, soffocano il prato eccessivamente non lasciandolo respirare e di conseguenza l'umidità aumenta. Per evitare che l'erba sia soffocata si raccomanda di raccogliarla spesso.

## COME SVUOTARE IL SACCO RACCOGLIERBA

Togliete il sacco dall'addattatore e dalla parte posteriore del manubrio. Scrollate fino a quando non si sia vuotato completamente. Svuotatelo alla fine di ogni uso prima di riporre la tagliaerba al suo posto. Non adoperate mai la tagliaerba senza il sacco o il deflettori de scarico laterale.

## REGOLAZIONE DELL'ALTEZZA DI TAGLIO

Spostate il dispositivo di regolazione di ogni ruota, uno scatto alla volta, nella posizione desiderata. Mettendolo nella posizione piú alta, si ottiene l'altezza di taglio piú bassa e viceversa. La figura 3 indica l'altezza di taglio approssimativa per le 5 posizioni.

## MANUTENZIONE

È molto importante la manutenzione del motore agli intervalli indicati nel relativo libretto. Quando fate qualsiasi operazione di manutenzione, staccate lo spinotto della candela. Usate solo parti di ricambio originali SNAPPER. Rivolgetevi al vostro concessionario SNAPPER per i ricambi e il servizio di assistenza. Vi raccomandiamo di fare vedere la vostra tagliaerba una volta all'anno dá un concessionario SNAPPER autorizzato.

## LUBRIFICAZIONE

**MOTORE**—Cambiate l'olio ogni 25 ore di lavoro.

**TRASMISSIONE**—Togliete il tappo e verificate ogni 25 ore di lavoro (Vedere fig. 5 dell'Appendice). Se il grasso non è visibile nella scatola ingranaggi, aggiungete una piccola quantità. Evitate di lubrificare eccessivamente, non oltre 50 g. di grasso. Dopo aver effettuato l'operazione, risistemate il tappo.

**PARTI MOBILI**—Occasionalmente versate poche gocce d'olio sulle parti mobili.

## MANUTENZIONE DELLA LAMA

**ATTENZIONE:** prima di controllare o di fare qualsiasi lavoro sulla lama, staccate lo spinotto della candela per prevenire un'accensione involontaria.

**CONTROLLATE** frequentemente la lama per assicurarvi che sia ben stretta e che sia in buone condizioni (Vedere O fig. 6 dell'Appendice).

**SOSTITUITE** la lama se è scheggiata, curva, sbilanciata o non appena l'intaglio comincia a consumarsi come si può vedere nel punto P della figura 6 dell'Appendice. Questo tipo di usura avviene piú velocemente se il terreno è sabbioso.

**ATTENZIONE:** non adoperate mai il tagliaerba con la lama consumata fino al livello mostrato nel punto Q della figura 6 dell'Appendice.

**AFFILATE** la lama se è ancora in buone condizioni.

**MONTATE** la lama affilata o la nuova, rimettendo i vari pezzi nell'ordine mostrato dalla figura 7 dell'Appendice.

## TRASMISSIONE

Assicuratevi che il coperchio di vinile rimanga sopra la molla che collega l'asticina di innesto al tenditore (Vedere R fig. 8 dell'Appendice). Questo non solo mantiene pulita la molla, ma previene il danneggiamento della borsa raccogliherba.

**REGOLAZIONE:** Se per tenere il comando di trasmissione inserito (Vedere C fig. 1 dell'Appendice) è necessario un'eccessiva pressione,

la molla è probabilmente mal regolata. Questo controllo si fa a motore spento. È ben regolata se ha 2-3 mm di gioco tra il gancio interno della molla e quello dell'asticina come mostrato nella figura 8 dell'Appendice. Per regolare, sganciate e ruotate la molla esterna e quella interna in direzioni opposte, riagganciate e controllate il gioco. Se il comando di trasmissione non scatta indietro quando si molla l'impugnatura, controllate il fermaglio che tiene l'asticina fissata alla barra del manubrio. Sistemate questo fermaglio nella posizione migliore per permettere all'asticina di lavorare senza attriti.

## MANUTENZIONE DEL DISCO DI TRASMISSIONE

Se la tagliaerba non avanza bene con il comando di trasmissione (Vedere C fig. 1 dell'Appendice) innestato verificate: che non ci sia del grasso sul disco di trasmissione (Vedere S fig. 9 dell'Appendice) che causi slittamento, che la molla dell'apparato di trasmissione non sia rotta o staccata (Vedere V fig. 10 dell'Appendice) che il disco di trasmissione (S) non sia troppo consumato per trasmettere il movimento al disco (T), che il disco di trasmissione (S) non sia mal regolato.

**REGOLAZIONE DEL DISCO:** Con la leva (Vedere D fig. 1 dell'Appendice) nella posizione di velocità piú alta il disco dovrebbe a 3-6mm di distanza come mostrato dalla figura 9 dell'Appendice. Regolate a motore spento come segue: allentate il dado esagonale (Vedere U fig. 9 dell'Appendice) fate scivolare l'apparato all'esterno fino a che sia da 3 a 6 mm di distanza dall'estremità del disco di trasmissione. Stringete il dado per fissare la nuova posizione.

**SOSTITUZIONE DEL DISCO GOMMATO (T):** Se la gomma del disco T è consumata per piú di 2 mm dal bordo di metallo sostituite il disco T. Togliete il fermaglio e levate l'asticina di trasferimento (Z) (fig. 10 dell'Appendice). Usando un paio di pinze ad ago, sganciate la molla (V) e sfilate l'apparato di trasmissione come mostrato nella figura 11 dell'Appendice. Togliete le cinque viti T, togliete il disco consumato dal mozzo.

## MANUTENZIONE CINGHIA

Lo slittamento di cinghie consumate causerá un avanzamento non regolare dei modelli semoventi. Sostituite le cinghie come segue.

**SOSTITUZIONE DELLA CINGHIA MOTORE (DD):** Staccate lo spinotto della candela. Sganciate la molla (AA) e togliete l'apparato del disco T. Sollevate il tagliaerba sulle ruote posteriori e togliete la lama e il mozzo, quindi togliete il dado di fissaggio e la rondella. Togliete la puleggia (BB) e la cinghia (DD), poi installatene una nuova e rimontate la puleggia. Sistemate la rondella di fermo e il dado di fissaggio sull'apposito perno e stringete bene il tutto. Risistemate la lama e l'apparato del disco (T).

**SOSTITUZIONE CINGHIA EE:** Questa cinghia può essere sostituita dopo aver rimosso l'apparato del disco T come descritto qui sopra. Prima di tagliarla e toglierla, notate come è sistemata la vecchia cinghia. Fate passare la nuova cinghia sopra l'albero esagonale della puleggia e sopra la puleggia tirante.

## MAGAZZINAGGIO

Pulite completamente la parte inferiore dell'apparato falciante. Poi lavate con acqua. Pulite la parte esterna del tagliaerba e lasciatela asciugare, lubrificare tutte le parti in metallo con una leggera passata di olio. Assicuratevi che il sacco raccogliherba sia completamente vuoto per evitare la formazione di muffa. La borsa può essere lavata con detersivi, ma lasciatela asciugare molto bene dopo averla lavata. Ricoverate la tagliaerba in un luogo asciutto al riparo dalle intemperie.

## ACCESSORI SNAPPER

La vostra tagliaerba può essere usata per assolvere altri lavori di giardinaggio con gli accessori descritti qui di seguito.

**TRITAFOLLIE:** Trasforma la tagliaerba in un aspiratore e macinatore da giardino per disseminare le foglie o per raccoglierte nella borsa.

**MACINATORE:** Trasforma la tagliaerba in un tritatore che taglia e sminuzza l'erba e poi la sparge sul prato come fertilizzante.

**RASTRELLO:** Attaccandolo frontalmente sui modelli semoventi, rimuove l'erbaccia aspirandola nella borsa raccogliherba. Adattabile su tutti i modelli da 53 cm. semoventi.

**DEFLETTORE LATERALE:** se la vostra tagliaerba é dotata di sacco raccogliërba, può essere velocemente trasformata in una macchina a scarico laterale.

**RACCOGLIERBA:** la tagliaerba a scarico laterale può essere dotato di sacco raccogliërba.

## CHI É SNAPPER

Snapper é una delle marche piú rispettate nel campo della cura dei tappeti erbosi, del giardinaggio e della rimozione della neve. Snapper é uno dei piú grossi fabbricanti di macchinario per il giardino. La gamma dei suoi prodotti include tosaërba a spinta, tosaërba autoportate, trattorini tosaërba, coltivatori, decespugliatori e spazzaneve. La chiave del successo Snapper é la qualità dei suoi prodotti e il suo eccellente servizio di distribuzione su scala mondiale. Snapper produce direttamente tutti i suoi prodotti ad eccezione dei motori. Oggi, Snapper dispone di moderne fabbriche e oltre 130 centri di distribuzione internazionale in 25 paesi del mondo. Questi centri sono al servizio di oltre 14.000 rivenditori autorizzati. Dal 1951, Snapper offre qualità, rendimento e robustezza ineguagliabili, a clienti in tutto il mondo.

## GARANZIA

Venduta il \_\_\_\_\_

Da: \_\_\_\_\_

Modello \_\_\_\_\_ Serie \_\_\_\_\_

\_\_\_\_\_  
TIMBRO E FIRMA DEL COMMERCIANTE

Gracias por haber seleccionado un producto SNAPPER. Estudie cuidadosamente este Manual del Operador a fin de aprender la operación de los controles, y sobre todo, apéguese a las instrucciones de seguridad.

## INSTRUCCIONES DE SEGURIDAD

**PRECAUCION:** Debe apegarse a estas instrucciones a fin de evitar daños personales y materiales.

### ENTRENAMIENTO

1. Lea este manual cuidadosamente y si tiene dudas, pregunte a su concesionario.
2. No permita que niños operen el cortacésped.
3. Mantenga a toda persona y animal doméstico a una distancia prudente.

### PREPARACION

1. No opere su cortacésped a menos que todos los aspectos de protección y seguridad estén en su lugar y propiamente conectados.
2. Inspeccione detalladamente el área donde vaya a segar y remueva las piedras, troncos o cualquier elemento extraño al terreno. Manténgase alerta contra huecos y otros objetos dañinos a su equipo.
3. Use ropa y zapatos adecuados.
4. No llene el tanque de la gasolina en áreas cubiertas.
5. Asegúrese que el embrague de tracción no esté embragado antes de arrancar el motor.
6. No ajuste la altura de corte mientras el motor está en operación.
7. Al segar terrenos a desnivel, coloque la cuchilla a la altura superior.
8. Opere el equipo durante la luz del día o en superficies muy iluminadas.
9. Agarre firmemente su cortacésped y camine, no corra.

### OPERACION

1. No modifique la velocidad de su motor.
2. Mantenga pies y manos alejados de la cuchilla y tenga cuidado con la descarga.
3. Pare el motor al cruzar sobre aceras o caminos o en situaciones donde pueda proyectar objetos.
4. Si el cortacésped vibra excesivamente después de un golpe, pare el motor, desconecte la bujía e inspeccione por debajo hasta localizar el daño. Repárelo.
5. Pare el motor siempre que abandone el equipo, incluso cuando esté vaciando la bolsa recogedora o cuando vaya a inspeccionar, ajustar o reparar su equipo.
6. Antes de comenzar a limpiar, inspeccionar o reparar, asegúrese que el equipo y la cuchilla se hayan parado. Adicionalmente desconecte el cable de la bujía.
7. En los declives, segue de lado a lado y nunca de arriba a abajo. Tenga mucha precaución al cambiar de dirección. No utilice este equipo en superficies con demasiada pendiente.

### MANTENIMIENTO Y ALMACENAMIENTO

1. Permita que el cortacésped se enfríe antes de estacionarlo.
2. Mantenga limpio de césped y grasa su equipo.
3. Examine su bolsa recogedora frecuentemente.
4. Anualmente lleve su cortacésped a servicio con su concesionario SNAPPER.
5. Solo use refacciones SNAPPER.

### PROCEDIMIENTOS DE OPERACION

Para facilidad de arranque, posicione su cortacésped en un lugar donde el césped sea de poca altura y la cuchilla pueda rotar libremente. El motor se detiene al soltar el control de la cuchilla ubicado sobre el manubrio (Ver B fig. 1 del apéndice) o al colocar la palanca de control del motor (Ver A fig. 1 del apéndice) en STOP. El movimiento de los equipos autopropulsados se detiene al soltar la palanca de control (Ver C fig. 1 del apéndice). Consulte la figura 1 para localizar todos estos controles.

### PREPARACION PARA LA PUESTA EN MARCHA

- ASEGURESE que la bolsa recogedora y su adaptador, o el deflector para descarga lateral y todos los otros dispositivos estén bien fijos.
- REVISE el exterior del equipo y remueva cualquier basura que pueda tapar la mampara de acceso de aire para enfriamiento del motor.

- REVISE el nivel de aceite en el cárter del motor y rellene según sea necesario pero no sobrepase la marca de FULL.
- REVISE la altura de cortado y ajuste.
- REVISE el nivel de combustible y rellene el tanque.

### ARRANQUE O DETENCION DEL MOTOR

El motor de los modelos de arranque manual o eléctrico se detiene al soltar el control de la cuchilla (Ver B fig. 1 del apéndice) o poniendo la palanca de control del motor (Ver A fig. 1 del apéndice) en posición STOP.

**ARRANQUE MANUAL:** el motor no arranca a menos que el control de la cuchilla (Ver B fig. 1 del apéndice) y el manubrio se estén tocando.

1. Coloque la palanca de control del motor (Ver A fig. 1 del apéndice) en posición START.
2. Coloque un pie sobre una rueda trasera.
3. Junte el manubrio y el control de cuchilla (Ver B fig. 1 del apéndice).
4. Doble la cintura hasta alcanzar la cuerda de arranque. (Ver F fig. 2 del apéndice)
5. Tire de la cuerda mientras se endereza a fin de usar la fuerza del cuerpo más que la fuerza del brazo. (Ver G fig. 2 del apéndice)
6. Guíe la cuerda de arranque a su posición original deteniendo el manubrio y el control de la cuchilla y póngase en la posición del operador detrás del manubrio.

**ARRANQUE ELECTRICO:** la llave de arranque eléctrico (Ver E fig. 1 del apéndice) tiene dos posiciones RUN y START. El motor no se puede apagar por medio de esta llave. Para detener el motor suelte el control de la cuchilla (Ver B fig. 1 del apéndice) o mueva la palanca de control del motor (Ver A fig. 1 del apéndice) a la posición STOP.

1. Coloque la palanca de control del motor (Ver A fig. 1 del apéndice) en la posición START.
2. Junte el control de la cuchilla (Ver B fig. 1 del apéndice) y el manubrio.
3. Accione la llave del interruptor de arranque eléctrico (Ver E fig. 1 del apéndice) a la posición START y manténgala así hasta que el motor arranque.

**NOTA:** A fin de no gastar la energía de la batería ni de sobrecalentar el motor de arranque, no fuerze el arranque por periodos mayores de 10 segundos. Espere unos segundos y pruebe de nuevo.

Si la batería no tiene suficiente energía use la cuerda para el arranque manual. Los modelos con arranque eléctrico vienen equipados con un alternador que debe mantener la batería bien cargada cuando se usa el cortacésped frecuentemente. Tenemos un dispositivo opcional para cargar la batería con corriente de 120 ó 220 V, que se puede adquirir por medio de nuestros concesionarios SNAPPER.

**CARGANDO LA BATERIA:** Cargue la batería durante 48 horas si la energía está baja o 72 horas si la batería no tiene energía. **NOTA:** la carga continua no afecta la batería.

### PROCEDIMIENTO PARA SEGAR

Ajuste la velocidad de acuerdo a las condiciones del césped. Ponga velocidad lenta cuando el césped sea alto, o velocidad rápida cuando el césped sea corto y de poco volumen. En los modelos autopropulsados, coloque la palanquita de control de velocidad (Ver D fig. 1 del apéndice) en la rapidez deseada y el control C contra el manubrio a fin de comenzar el movimiento. Al soltar el control (Ver C fig. 1 del apéndice), se detendrá el movimiento. Puede cambiar la velocidad de desplazamiento mientras el cortacésped está en movimiento. Use una velocidad lenta para frenar cuesta abajo.

Como regla general, no corte más de 1/3 de la altura. Si desea su césped más corto, espere unos días y vuelva a segar con una posición más baja. Cuando corta su césped demasiado corto, éste gasta más energía en el desarrollo de la hoja e invertirá menos energía en el desarrollo

del sistema de raíces lo que permitirá que el césped se queme con el sol. Si mantiene su césped muy alto, la porción más baja quedará a la sombra y se decolorará. En épocas secas deje crecer el césped a alturas mayores.

Los residuos del césped recién cortado alimentan su suelo promoviendo el desarrollo del césped; sin embargo, si los residuos son muy voluminosos y pesados, forman una capa que no permite que el césped resople ni mantenga la humedad. Recomendamos la aspiración y embolsado de los residuos y ocasionalmente distribuir estos residuos que servirán de nutrición a su césped.

## VACIADO DE LA BOLSA RECOGEDORA

Desmunte la bolsa fuera de su soporte sobre la carcasa y de su soporte en el manubrio. Vierta el residuo hasta que quede vacía. Con el propósito de extender la vida de la bolsa, vacíela después de cada uso y antes de estacionar su cortacésped. Nunca opere este equipo sin bolsa o deflector para descarga lateral.

## AJUSTE A LA ALTURA DE CORTE

Al ajustar, presione el casquillo de cada rueda hacia afuera y mueva cada palanquita una posición a la vez. La ranura más alta es la altura de corte más baja mientras que la ranura más baja es la altura de corte más alta. Consulte la figura 3 para observar el rango de alturas disponibles para cada una de las 5 posiciones.

## SERVICIO

Es importante efectuar servicio al motor dentro de los intervalos especificados en el manual del motor. Es importante que desconecte la bujía antes de efectuar algún servicio a su cortacésped.

Mantenga la calidad original de su cortacésped utilizando refacciones SNAPPER. Recomendamos que lleve su equipo a mantenimiento a nuestro concesionario anualmente para que éste efectúe una inspección completa.

## LUBRICACION

**MOTOR—Cambio de aceite cada 25 horas de uso.**

**TRANSMISION—**Quite el tapón y revise cada 25 horas de uso. Si el líquido no es visible en el aparejo, añada una pequeña cantidad de grasa (Ver fig 5). **PRECAUCION:** No sobrecargue de grasa, la capacidad del recipiente es de 50 g. Vuelva a colocar el tapón después de haber revisado el aparejo.

**PARTES CON MOVIMIENTO—**Ocasionalmente engrase las partes que tienen movimiento.

## MANTENIMIENTO DE LA CUCHILLA

**PRECAUCION:** Desconecte la bujía antes de revisar o trabajar con la cuchilla. Es muy importante mantener la cuchilla en perfecta condición. Revísela frecuentemente para asegurar que esté apretada y en buenas condiciones (Ver O fig. 6 del apéndice).

**REEMPLACE** la cuchilla cuando se astille, se desbalancee, etc. (Ver fig. 6, punto P). Este desgaste es común en superficies arenosas.

**PRECAUCION:** Nunca opere la cuchilla cuando esté desgastada como se muestra en el punto Q de la figura 6.

**AFILE** la cuchilla cuando sea necesario.

**INSTALE** la cuchilla y sus componentes en la secuencia que se muestra en la figura 7.

## EMBRAGUE

Asegúrese que la cubierta de vinil que protege la varilla y el resorte (Ver R fig. 8 del apéndice) siempre esté en posición. Esta cubierta también protege la bolsa recogedora. (Ver fig. 8).

**AJUSTES:** El resorte del embrague está desajustado cuando se requiere demasiado esfuerzo para mantener la palanca (Ver C fig. 1 del apéndice) en posición. El engranaje está bien ajustado cuando exista un libramiento de 2mm a 3mm entre el gancho del resorte y su receptor (Ver figura 8 del apéndice). Desenganche y rote los resortes (interno y externo) en dirección opuesta, reenganche y revise el libramiento. Cuando la palanca del control de las ruedas no regresa a su posición al soltarla,

revise el broche que sostiene la palanca y el manubrio. Posicione el broche a la mejor posición para permitir que la varilla pueda penetrar sin interferencia.

## MANTENIMIENTO DEL DISCO

Cuando su cortacésped no tenga suficiente fuerza y esté embragado, revise lo siguiente: grasa en el disco (Ver S fig. 9 del apéndice) que cause que resbale; que el resorte esté desconectado o roto (Ver figura 10); que el disco (Ver T fig. 9 del apéndice) esté desgastado y no haya contacto con el disco (S); que el disco esté desnivelado. Esta condición también puede ser causada cuando la correa de transmisión está desgastada.

**AJUSTE EL DISCO (T):** Detenga el motor y coloque la palanca (Ver D fig. 1 del apéndice) en la condición más rápida, el disco debe estar de 3 a 6mm del borde del disco (S) (Ver figura 9). Para ajustar, afloje la tuerca (Ver U fig. 9 del apéndice) y mueva el ensamble del disco hacia adentro o hacia afuera hasta lograr la distancia deseada de 3 a 6mm. Apriete la tuerca (U) para asegurar la nueva posición.

**REEMPLACE EL DISCO (T):** Si la goma del disco está desgastada a una distancia de 2mm del borde metálico, remueva el ensamble y reemplace el disco. Quite el broche y suelte la varilla (Ver Z fig. 10 del apéndice). Suelte el resorte y deslice el ensamble según se muestra en la figura 11. Quite los 5 tornillos que aseguran el disco y separe el disco del eje. Invierta este procedimiento para asegurar el nuevo disco y reconecte sus componentes.

## MANTENIMIENTO A LA CORREA

Cuando se desgastan las correas, los equipos autopropulsados operan deficientemente.

**REEMPLACE LA CORREA DEL MOTOR (DD):** Desconecte el cable de la bujía. Suelte el resorte (Ver AA fig. 12 del apéndice) y quite el ensamble del disco (T) según se describe en la sección anterior. Incline el equipo sobre las ruedas derechas y desmunte la cuchilla. Afloje la tuerca que asegura el disco impulsor a su posición sobre la carcasa. Apriete la tuerca y la arandela, instale la correa nueva. Revise para asegurarse que el brazo pivotea y reinstale los componentes de la cuchilla. Reinstale el resorte.

**REEMPLACE LA CORREA (EE):** Esta correa se reemplaza después de desmontar el ensamble del disco T según se describe anteriormente. Fijese en la colocación de la correa entre las poleas antes de cortar y quitar la correa. Coloque la nueva correa entre las poleas. Tuerza la correa hasta colocarla entre el soporte de la rueda y la polea de la transmisión. Conecte la correa con el eje, el embrague y la polea de la transmisión.

## ALMACENAMIENTO

Desconecte la bujía y limpie la parte inferior de la carcasa. Elimine toda acumulación y lávela con agua de manguera a presión.

Limpie la carcasa y lubríquela. Vacíe la bolsa recogedora, lávela y séquela. Tenga en cuenta guardar la máquina en un lugar protegido y fresco.

## ADITAMENTOS SNAPPER

Dependiendo de su equipo original, puede modificar las características de su cortacésped de acuerdo con los aditamentos SNAPPER.

**TRITURADORA:** Convierte su equipo en una trituradora del césped y otros residuos. Descarga bien por medio del deflector o a la bolsa recogedora.

**PULVERIZADORA:** Convierte su equipo en una pulverizadora y redeposita los residuos sobre su césped. Estos residuos alimentan su césped.

**RAKE:** Va instalado en el frente de los modelos autopropulsados y remueve la paja, la aspira, y la recoge en la bolsa. Sirve a todos los modelos de 53 cm.

**DEFLECTOR:** Si su equipo solo tiene bolsa recogedora, con este aditamento lo puede convertir en descargador automático.

**BOLSA RECOGEDORA:** Si su equipo solo tiene deflector, con este aditamento lo puede convertir en recogedor de residuos.



## ¿QUIEN ES SNAPPER?

Snapper es uno de los nombres más honrados para equipo de césped, jardín y quitanieves. Snapper es uno de los productores más grandes de equipos de césped y jardín usados por propietarios. Estos productos incluyen segadoras, segadoras con asiento, tractores, labradoras, desbrozadoras y quitanieves. La llave del éxito de Snapper es la calidad de sus productos y la excelente red de distribuidores mundiales. En sus fábricas Snapper fabrica todos sus productos con excepción de los motores. Hoy, Snapper tiene más de 130 centros de distribución internacionales en 25 países. Estos centros sirven a más de 14.000 comerciantes. Desde 1951, Snapper significa excelente calidad, ejecución y durabilidad alrededor del mundo.

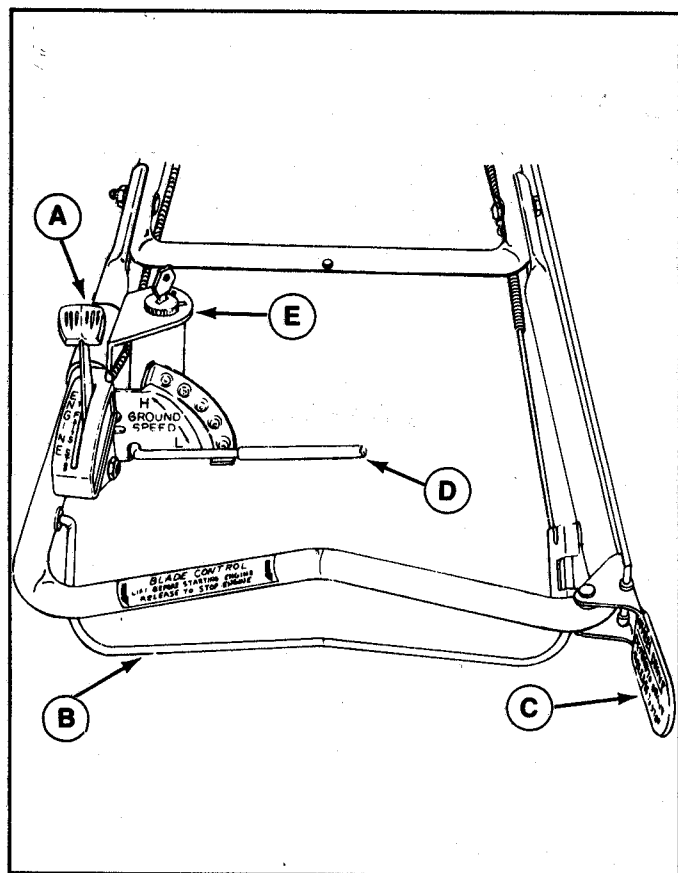
## GARANTIA

Vendida a \_\_\_\_\_

Para \_\_\_\_\_

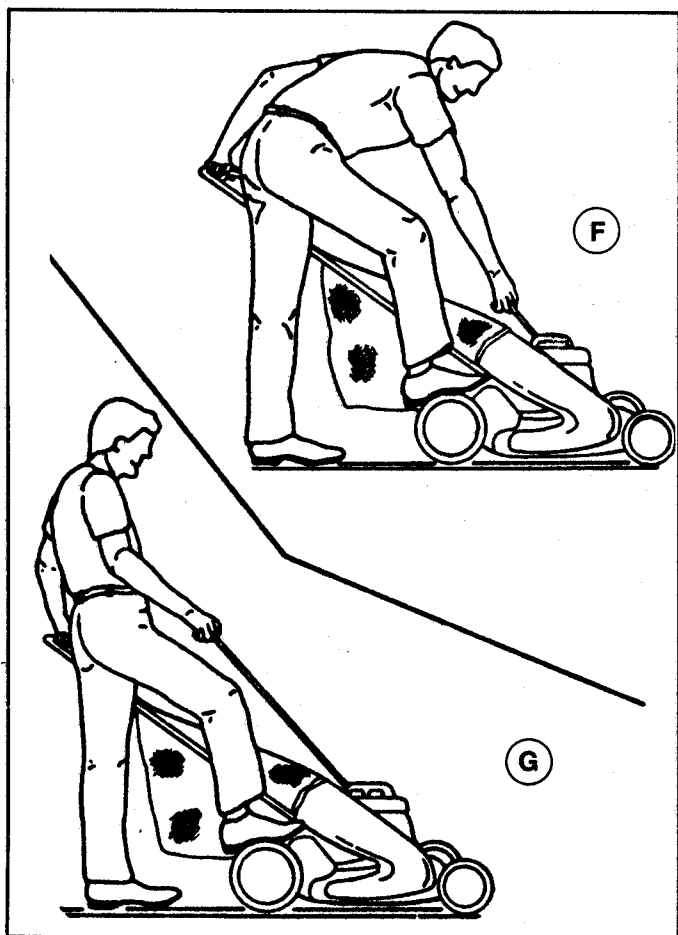
Modelo \_\_\_\_\_ Serie \_\_\_\_\_

\_\_\_\_\_  
SELLO Y FIRMA DEL CONCESIONARIO



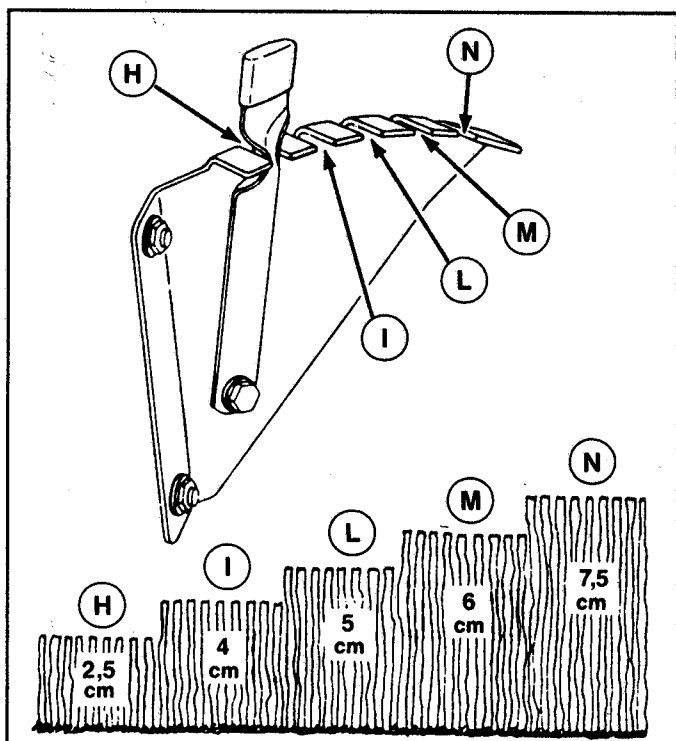
1

- A ENGINE CONTROL  
GASHEBEL  
COMMANDE DU MOTEUR  
COMANDO DEL MOTORE  
CONTROL DEL MOTOR
- B BLADE CONTROL  
MESSERSTOPPBÜGEL  
COMMANDE DE LA LAME  
COMANDO DELLA LAMA  
CONTROL DE LA CUCHILLA
- C WHEEL DRIVE CONTROL  
RADANTRIEBKUPPLUNGHEBEL  
COMMANDE DE TRACTION  
COMANDO DI TRASMISSIONE  
CONTROL DE LAS RUEDAS
- D GROUND SPEED CONTROL  
FAHRGESCHWINDIGKEITWÄHLHEBEL  
COMMANDE DE VITESSES  
COMANDO DI AVANZAMENTO  
CONTROL DE VELOCIDAD DE MOVIMIENTO
- E ELECTRIC START KEYSWITCH  
ZÜNDSCHLÜSSEL-ANLASSER/SCHALTER  
CLE DE CONTACT DEMARREUR ELECTRIQUE  
INTERUTTORE A CHIAVE D'ACCENSIONE  
ELETTRICA  
INTERRUPTOR DE ARRANQUE ELECTRICO



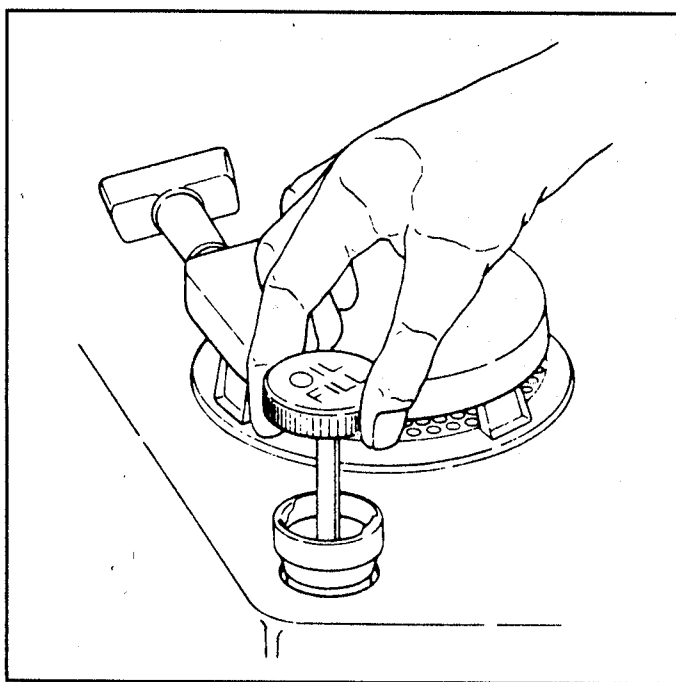
2

- F, G MANUAL START PROCEDURE  
HANDSTART  
DEMARRAGE MANUEL  
PROCEDURA D'AVVIAMENTO MANUALE  
PROCEDIMENTO DE ARRANQUE MANUAL



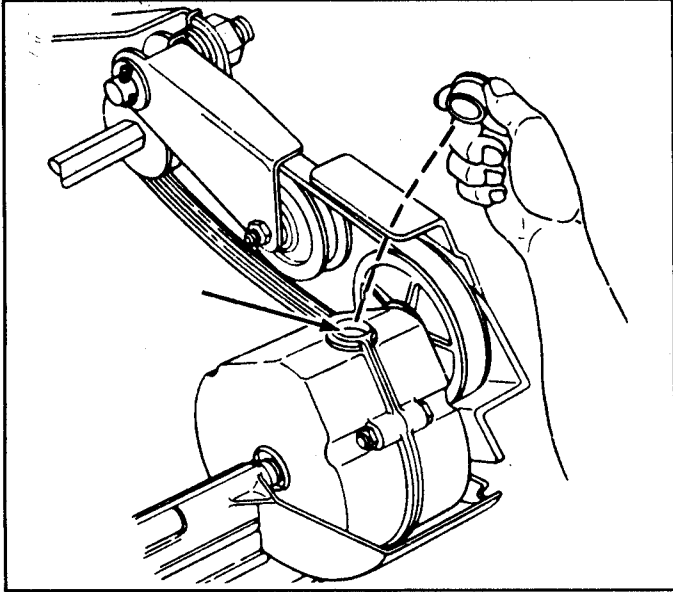
3

H-N CUTTING HEIGHT SETTINGS  
 SCHNITTHÖHENEINSTELLUNG  
 SELECTION DE LA HAUTEUR DE COUPE  
 POSIZIONI ALTEZZE DI TAGLIO  
 DETERMINACION DE LA ALTURA DE CORTE



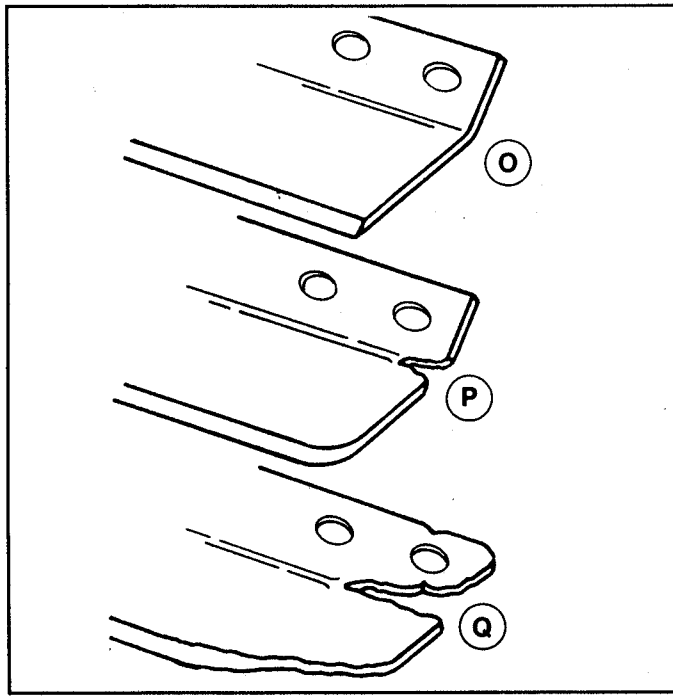
4

CHECK OIL LEVEL BEFORE STARTING  
 ÖLSTAND PRÜFEN VOR DEM START  
 VERIFIEZ L'HUILE DU MOTEUR AVANT  
 DEMARRAGE  
 VERIFICATE IL LIVELLO DELL'OLIO PRIMA DI  
 AVVIARE IL MOTORE  
 REVISE EL NIVEL DE ACEITE ANTES DE  
 ARRANCAR



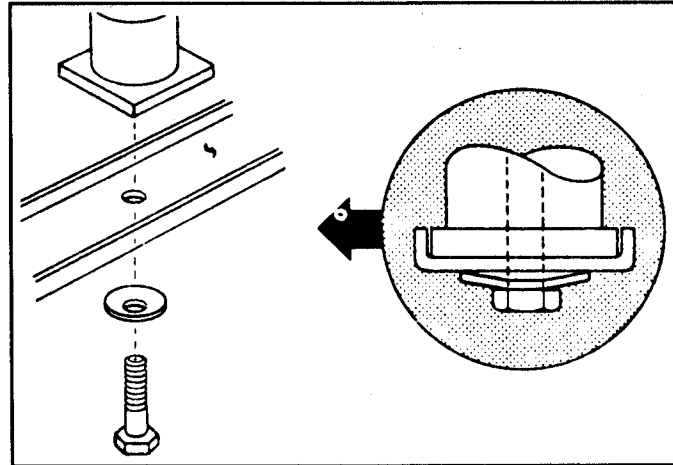
5

CHECKING TRANSMISSION  
 GETRIEBE ÖLSTAND PRÜFEN  
 VERIFICATION DE LA TRANSMISSION  
 VERIFICA DELLA TRASMISSIONE  
 REVISION DE LA TRANSMISION



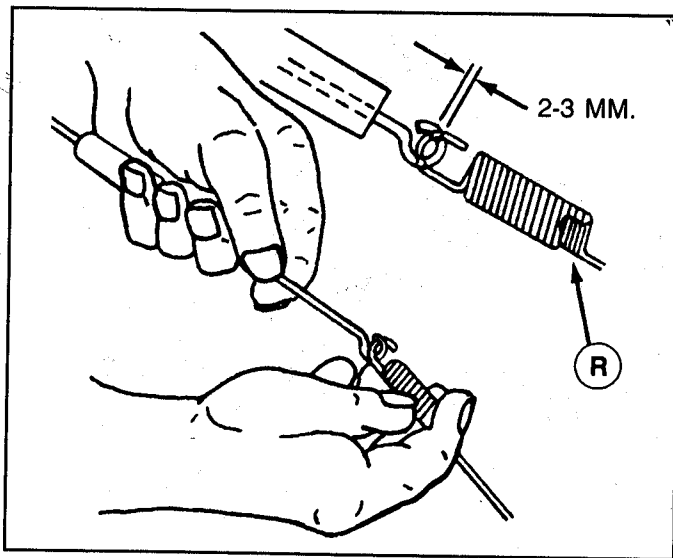
6

O NEW BLADE  
 NEUES MESSER  
 LAME NEUVE  
 LAMA NUOVA  
 NUEVA CUCHILLA  
 P WEAR LIMIT  
 ABNUTZUNGSGRENZE  
 USURE MAXIMALE  
 LIMITE DI CONSUMO  
 LIMITE DE USO  
 Q DANGEROUS  
 GEFÄHRLICH  
 DANGEREUSE  
 PERICOLOSA  
 PELIGROSA



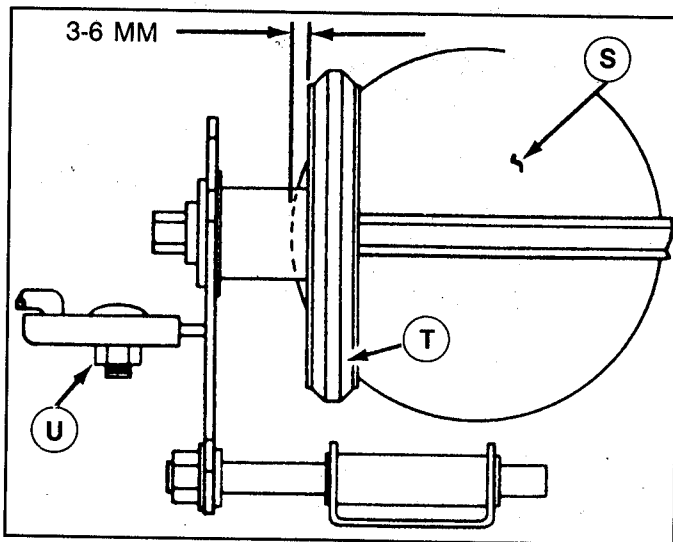
7

BLADE RETENTION DETAIL  
 MESSERBEFESTIGUNG  
 DETAIL DE LA FIXATION DE LA LAME  
 DETTAGLIO DI FISSAGGIO DELLA LAMA  
 INSTALACION DE LA CUCHILLA



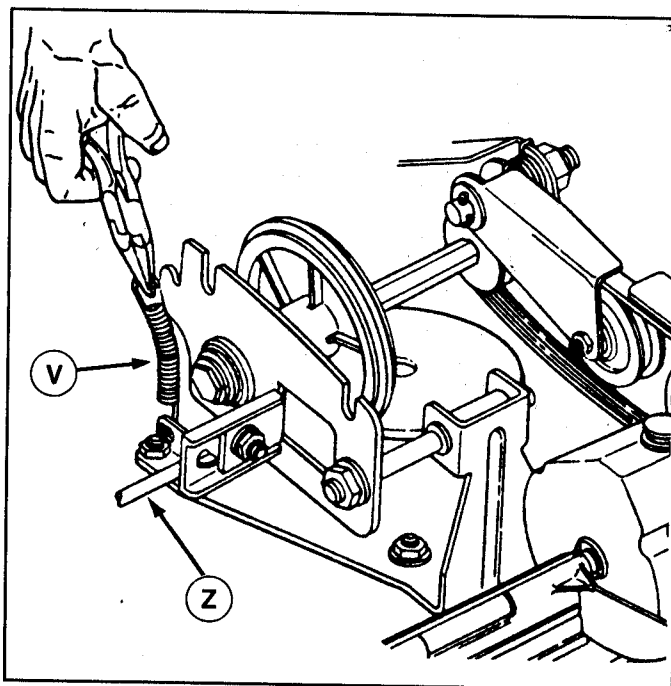
8

- R INNER SPRING
- INNERE FEDER
- RESSORT INTÉRIEUR
- MOLLA INTERNA
- RESORTE INTERNO



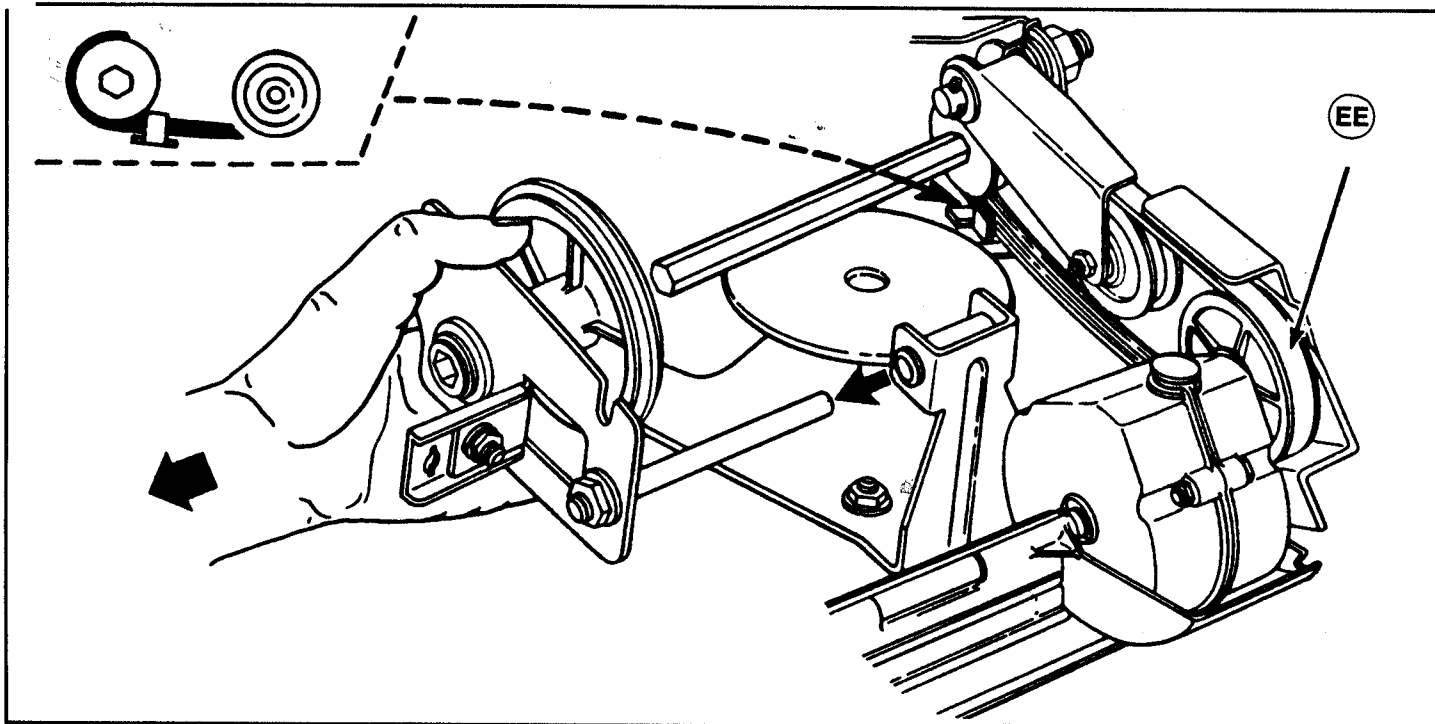
9

- S DRIVE DISC
- ANTRIEBSREIBRAD
- DISQUE DE TRANSMISSION
- DISCO DI TRASMISSIONE
- DISCO DE IMPULSION
- T DRIVEN DISC
- GUMMIREIBRAD
- ROUE MENEÉ
- DISCO GOMMATO
- DISCO
- U CONNECTOR NUT
- EINSTELL MUTTER
- PIECE DE RACCORDEMENT
- DADO DI FISSAGGIO
- TUERCA



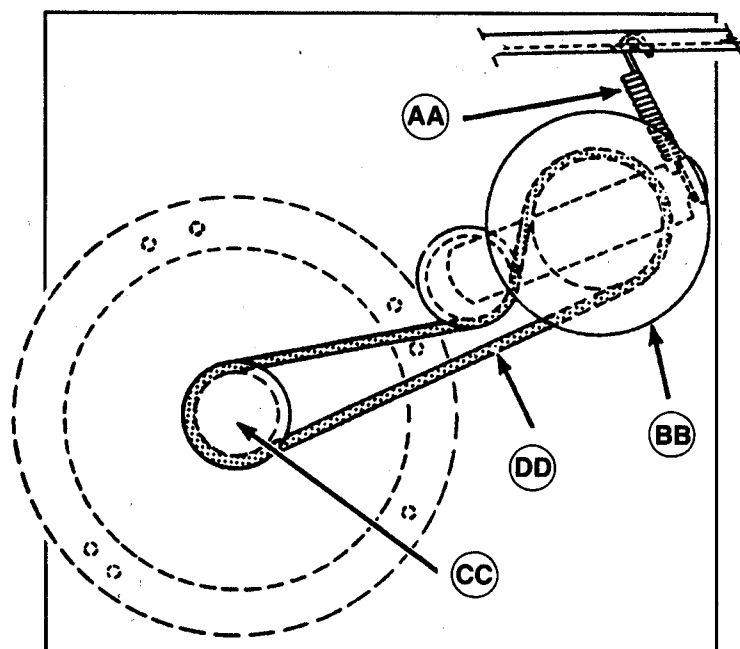
10

- V TRACTION SPRING
- KUPPLUNGSFEDER
- RESSORT DE TRACTION
- MOLLA
- RESORTE
- Z TRANSFER ROD
- SCHALTGESTÄNGE
- TIGE DE TRANSMISSION
- ASTINA DI TRASFERIMENTO
- VARILLA



11

EE SLIDING DRIVEN DISC ASSEMBLY OFF  
 AUSWECHSELN DES KEILRIEMENS ZUR  
 ANTRIEB-REIBSCHEIBE  
 REMPLACEMENT DE LA COURROIE  
 SOSTITUZIONE CINGHIA  
 REEMPLACE LA CORREA



12

AA IDLER SPRING  
 SPANNROLLENFEDER  
 RESSORT DE LA POULIE DE TENSION  
 MOLLA TIRANTE  
 RESORTE

BB PULLEY  
 SPANNROLLE  
 ASSEMBLAGE DE LA POULIE  
 PULEGGIA  
 POLEA

CC ENGINE DRIVE PULLEY  
 MOTORRIEMENSCHIEBE  
 POULIE DE TRANSMISSION DU MOTEUR  
 PULEGGIA TRASMISSIONE MOTORE  
 POLEA DEL IMPULSOR DEL MOTOR

DD DRIVE BELT  
 ANTRIEBS-KEILRIEMEN  
 COURROIE DE LA POULIE  
 CINGHIA DI TRASMISSIONE  
 CORREA

## SNAPPER PRODUCTS WORLDWIDE GUARANTEE

This guarantee is in addition to and does not affect your statutory rights.  
Your Snapper is guaranteed against defects in materials and workmanship for a period of two years from the date of purchase.  
Products returned under guarantee will be repaired free of charge except for any insurance or handling costs which may be charged.  
This guarantee becomes void if the product has been damaged by accident, mishandling, abuse, tampering, failure to follow enclosed instructions, or improper storage.  
This guarantee provides no grounds for further claims or compensation for damage.  
To obtain repairs under this guarantee, present the product and this completed guarantee form at any one of the authorised Snapper dealers. If the guarantee card was not validated by the shop when purchased, then proof of date of purchase must be produced (eg. bill or invoice).

## SNAPPER — WELTWEITE GARANTIE

Diese weltweite Garantie ist eine Ergänzung Ihrer gesetzlichen Ansprüche, die dadurch nicht beeinträchtigt werden.  
Diese Garantie gilt für Snapper Maschinen für die Dauer von zwei Jahre nach Kauf des Gerätes und erstreckt sich auf defekte Teile und mangelhafte Arbeit.  
Geräte, die während der Garantiezeit eingesandt werden, werden kostenlos instandgesetzt mit Ausnahme eventueller Versicherungs-, Bearbeitungs- und Versandkosten.  
Diese Garantie gilt nicht, wenn das Gerät durch Unfall, falschen Gebrauch, eigene Reparaturversuche und Behandlung entgegen den Bedienungsvorschriften beschädigt worden ist.  
Diese Garantie berechtigt nicht zu weiteren Forderungen wie Schadensersatz, Erstattung des Kaufpreises usw.  
Eine Instandsetzung innerhalb dieser Garantie ist bei jedem Snapper Fachhändler gegen Vorlage dieser ausgefüllten Garantiekarte zusammen mit dem Gerät möglich. Sollte die Garantiekarte beim Kauf des Gerätes nicht durch Ihren Händler ausgefüllt worden sein, muss der Erwerb durch einen Verkaufsbeleg nachgewiesen werden.

## SNAPPER GARANTIE INTERNATIONALE

Cette Garantie Supplémentaire ne va pas à l'encontre de vos droits. Votre produit Snapper est garanti contre tout vice de fabrication pour une durée de deux ans à partir de la date d'achat.  
Le matériel retourné sous garantie sera remis en état gratuitement, sauf frais d'assurance, d'envoi et de manutention qui seront facturés.  
Cette garantie s'annule si l'appareil a été endommagé accidentellement par une fausse manœuvre, une manipulation, un non respect des instructions ou un stockage impropre.  
Pour bénéficier de la garantie, présentez le produit et ce certificat de garantie complet à l'un des concessionnaire Snapper autorisés.  
Cette garantie ne comporte aucune clause supplémentaire, en particulier pour les dépréciations de produits (soldes) ou pour les dommages occasionnés par l'utilisateur.  
Si le certificat de garantie n'était pas valide par le magasin au moment de l'achat, alors présentez la facture prouvant la date d'achat.

## SNAPPER GARANZIA MONDIALE

Questa garanzia è supplementare e in aggiunta ai vostri diritti legali.  
La vostra Snapper è garantita contro tutti i difetti di fabbricazione per un periodo di due anni dalla data di acquisto.  
Prodotti ritornati sotto garanzia saranno riparati gratuitamente eccetto i costi di assicurazione, e manodopera che possano essere fatturati.  
Questa garanzia è annullata se il prodotto è danneggiato in conseguenza di incidenti, uso improprio, abuso, danneggiamento volontario, o magazzinaggio inadeguato.  
Questa garanzia non costituisce termine legale per altre implicite o non implicite garanzie. In particolare non dà luogo a riduzioni di prezzo o compenso per eventuali danni di ogni genere.  
Per ottenere la riparazione in garanzia, presentare la macchina e questa garanzia a uno qualsiasi dei concessionari Snapper autorizzati. Se la garanzia non era stata convalidata al momento dell'acquisto, presentare copia della fattura con data d'acquisto.

## SNAPPER — GARANTIA MUNDIAL

Esta garantía es adicional y no afecta a sus derechos de estatuto.  
Su máquina Snapper está garantizada contra todos los defectos de material y de fabricación, por un período comprendido de dos años desde la fecha de su compra.  
Los productos devueltos para reparación que estén bajo garantía, serán reparados gratuitamente, exceptuando los gastos de manejo, costos de envío y seguro.  
Esta garantía se invalida si el producto sufre avería por accidente, uso indebido, abuso, y por no seguir debidamente las instrucciones que se adjuntan en el manual, así mismo por almacenaje inadecuado.  
Esta garantía no cubre ninguna reclamación referente a la anulación de la reducción de venta o compensación por avería.  
Para obtener opción al servicio de reparación, deben presentar el producto con la garantía debidamente completada en cualquiera de los concesionarios Snapper. Si la tarjeta de garantía no está completada a la hora de su compra por el establecimiento que efectúa la venta, entonces se deberá presentar como prueba de la compra, un albarán, factura o cualquier otro recibo.

## Certificate of Conformity Issued by the Manufacturer

I, the undersigned Richard Robinson  
PO. Box 777, McDonough, GA 30253 U.S.A.  
(name and address)  
certify that the lawnmower:  
1. Category Internal Combustion Engine  
2. Make SNAPPER  
3. Type See Serial Number Plate  
Conforms to the specifications of Directive 84/538/EEC  
Guaranteed sound power level 100 dB(A)  
— type of cutting device Rotary Mower  
— width of cut 53 cm  
— speed of rotation of the cutting device 3100 rpm  
Done at McDonough Date 3.02.1988  
Signature Richard E. Robinson Position President

## Übereinstimmungsbescheinigung

Der Unterzeichnete Richard Robinson  
PO. Box 777, McDonough, GA 30253 U.S.A.  
(Name, Vorname, Anschrift)  
bestätigt, daß der Rasenmäher:  
1. Bauart Verbrennungsmotormäher  
2. Fabrikmarke SNAPPER  
3. Typ Siehe Serien-Kennzeichnung  
mit den Vorschriften der Richtlinie 84/538/EEG übereinstimmt.  
Garantiert Schalleistungspegel 100 dB(A)  
— Art der Schneidevorrichtung Sichelmäher  
— Schnittbreite 53 cm  
— Umdrehungsgeschwindigkeit der Schneidevorrichtung 3100 U/min.  
Geschehen zu McDonough am 3.02.1988  
Amtsbezeichnung President Unterschrift Richard E. Robinson

## Certificat de conformité délivré par le fabricant

Je soussigné Richard Robinson  
PO. Box 777, McDonough, GA 30253 U.S.A.  
(nom, prénom, adresse)  
atteste que la tondeuse à gazon:  
1. Catégorie: Moteur à combustion  
2. Marque SNAPPER  
3. Type Voir étiquette sur la machine  
est conforme aux spécifications de la directive 84/538/CEE  
Niveau de puissance acoustique garanti: 100 dB(A)  
— genre du dispositif de coupe: Lame rotative  
— largeur de coupe: 53 cm  
— vitesse de rotation du dispositif de coupe: 3100 tours par minute  
Faite à McDonough le 3.02.1988  
Signature Richard E. Robinson Fonction President

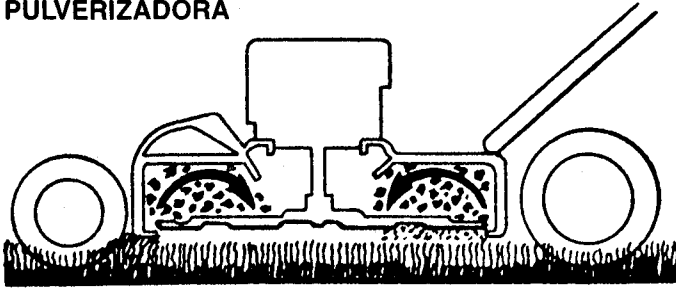
## Certificato di conformità del fabbricante

Il sottoscritto Richard Robinson  
PO. Box 777, McDonough, GA 30253 U.S.A.  
(nome, cognome, indirizzo)  
attesta che la tosaerba:  
1. Categoria Motore a scoppio  
2. Marca SNAPPER  
3. Tipo Vedere la targhetta sulla macchina  
è conforme alle norme della direttiva 84/538/CEE  
Livello di potenza acustica garantita 100 dB(A)  
— tipo del dispositivo falciante Lama rotante  
— larghezza di taglio 53 cm  
— velocità di rotazione del falciante 3100 giri/min.  
Dato a McDonough il 3.02.1988  
Titolo President Firma Richard E. Robinson

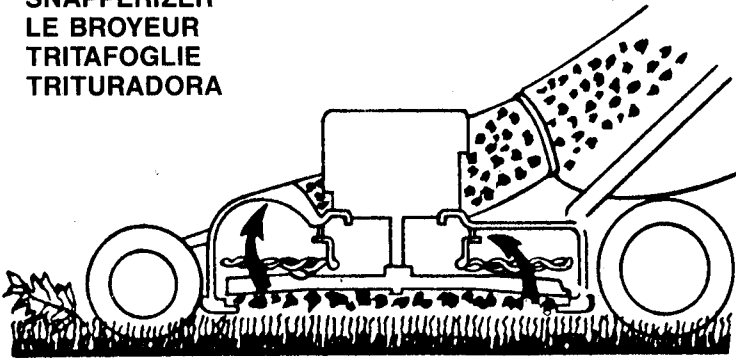
## Autocertificación del fabricante

El suscrito Richard Robinson  
PO. Box 777, McDonough, GA 30253 U.S.A.  
(apellido dirección)  
certifica que el cortacésped:  
1. Categoría Motor a gasolina  
2. Marca SNAPPER  
3. Tipo Ver la tarjeta sobre la máquina  
cumple con las reglas del decreto 84/538/CEE  
Nivel de potencia acústica garantizada 100 dB(A)  
— tipo del sistema de corte Cuchilla giratoria  
— ancho de corte 53 cm  
— velocidad del sistema de corte 3100 rpm  
En McDonough Fecha 3.02.1988  
Titulo President Firma Richard E. Robinson

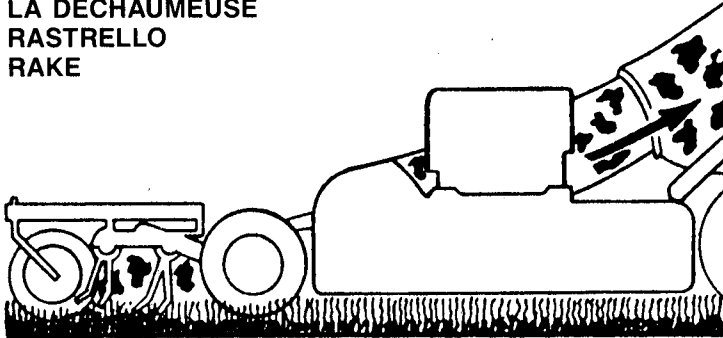
MULCHERIZER  
 MULCHEINSATZ  
 LE PULVERISATEUR  
 MACINATORE  
 PULVERIZADORA



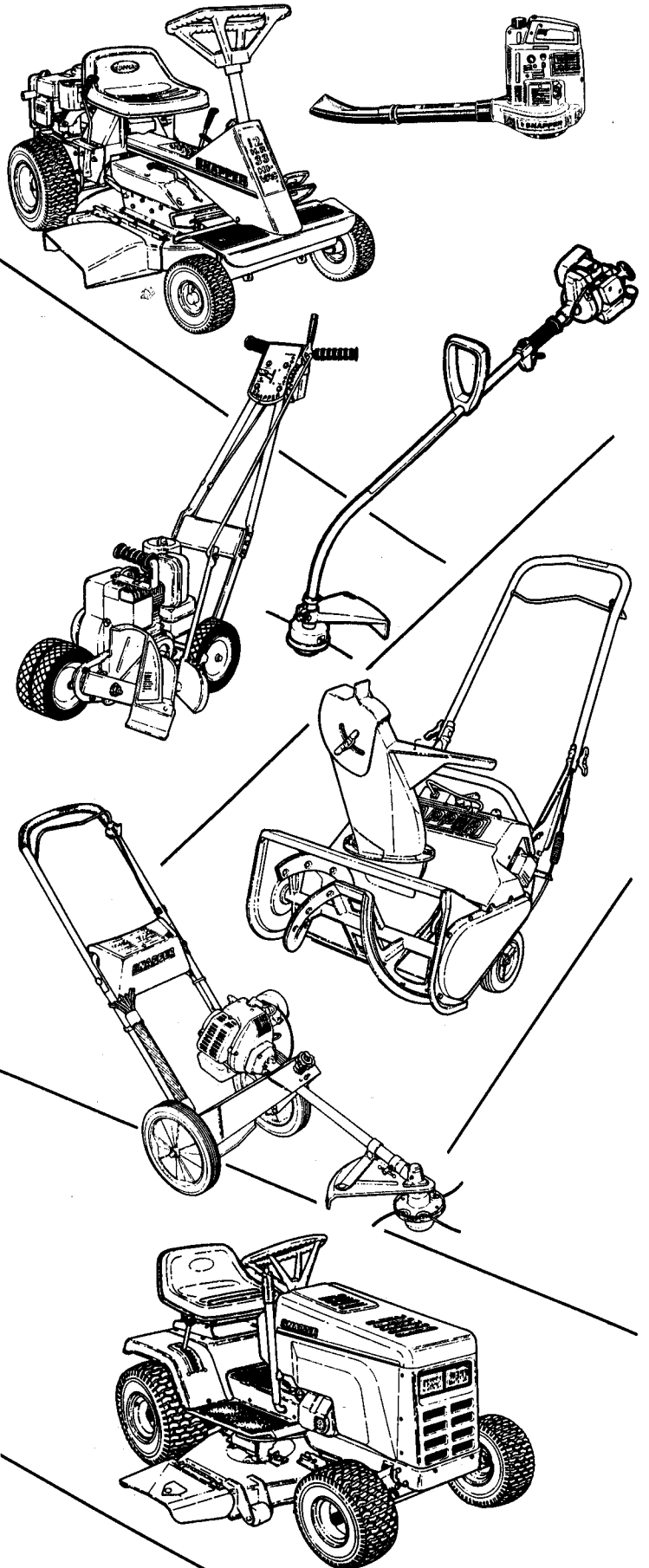
SNAPPERIZER  
 SNAPPERIZER  
 LE BROYEUR  
 TRITAFOLIE  
 TRITURADORA



THATCHERIZER  
 VERTICUTIERVORSATZ  
 LA DECHAUMEUSE  
 RASTRELLO  
 RAKE



# SNAPPER®



Typesetting by:  
 Satz:  
 Composizione per:  
 Composition par:  
 Tipografia por:

**THE KASPI GROUP INTERNATIONAL, INC.**  
 2250 N. Druid Hills Rd., N.E.  
 Suite 232  
 Atlanta, Georgia 30329 U.S.A.  
 (404) 325-0375 / FAX: (404) 325-8993

**SNAPPER POWER EQUIPMENT**  
 McDonough, GA., 30253 U.S.A.



MANUAL # 1-6607 (IR 9/90 ISSUE)



## Free Manuals Download Website

<http://myh66.com>

<http://usermanuals.us>

<http://www.somanuals.com>

<http://www.4manuals.cc>

<http://www.manual-lib.com>

<http://www.404manual.com>

<http://www.luxmanual.com>

<http://aubethermostatmanual.com>

Golf course search by state

<http://golfingnear.com>

Email search by domain

<http://emailbydomain.com>

Auto manuals search

<http://auto.somanuals.com>

TV manuals search

<http://tv.somanuals.com>