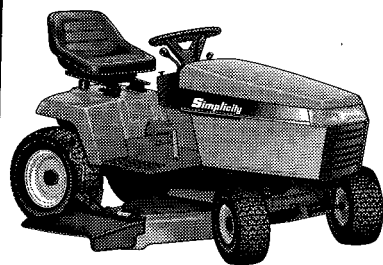


BROADMOOR SERIES

12.5 Gear



OPERATOR'S MANUAL

This manual covers the following Manufacturer's Numbers:

12.5 HP Tractor: Mfg. No. 1691891

38" Mower: Mfg. No. 1691704

Contents


SAFETY RULES	2	TROUBLESHOOTING	25
DECALS	4	Troubleshooting Chart	25
OPERATION	6	Battery Replacement	29
Dash Controls	6	Jump Starting with Auxiliary Battery	29
Engine Compartment	8	Drive Belt Replacement	31
Tractor Controls	9	Mower Belt Replacement	33
Safety Interlock System	10	ADJUSTMENTS	34
Operation on Slopes	11	Mower Leveling	34
Checks Before Starting	12	Neutral Adjustment	36
Starting and Stopping	12	Mower Blade Stopping Check	36
Brake Pedal Operation	13	Brake Adjustment	36
Mowing Pattern & Tips	14	Steering Gear Adjustment	37
NORMAL CARE	17	PTO Clutch Adjustment	38
Normal Care Schedule	15	INTERNATIONAL SYMBOLS	39
Storage	16	SPECIFICATIONS	40
Lubrication	16	COMMON REPLACEMENT PARTS	42
Check Tire Pressure	20	OPTIONAL ATTACHMENTS & ACCESSORIES	43
Battery Maintenance	20	PARTS MANUAL AVAILABLE	45
Check Fuel Filter	21		
Mower Removal & Installation	22		
Servicing the Mower Blades	24		

NOTE

In this manual, "left" and "right" are referred to as seen from the operating position.

Safety Rules



Read these safety rules and follow them closely. Failure to obey these rules could result in loss of control of vehicle, severe personal injury or death to you, yourself or bystanders, or damage to property or equipment. This cutting machine is capable of amputating hands and feet and throwing objects. The triangle  in text signifies important cautions or warnings which must be followed.

IMPORTANT - Safe operation practices for riding mowers.

I. General operation

1. Read, understand, and follow all instructions in the manual and on the machine before starting.
2. Only allow responsible adults, who are familiar with the instructions, to operate the machine.
3. Clear the area of objects such as rocks, toys, wire, etc., which could be picked up and thrown by the blade.
4. Be sure the area is clear of other people before mowing. Stop tractor if anyone enters the area.
5. Never carry passengers.
6. Do not mow in reverse unless absolutely necessary. Always look down and behind before and while backing.
7. Be aware of the mower discharge direction and do not point it at anyone. **Do not operate the mower** without either the entire grass catcher or the guard in place.
8. Slow down before turning.
9. Never leave a running tractor unattended. Always turn off blades, set parking brake, stop engine, and remove keys before dismounting.
10. Turn off blades when not mowing.
11. Stop engine before removing grass catcher or unclogging chute.
12. Mow only in daylight or good artificial light.
13. Do not operate the tractor while under the influence of alcohol or drugs.

14. Watch for traffic when operating near or crossing roadways.
15. Use extra care when loading or unloading the tractor into a trailer or truck.

II. Slope operation

Slopes are a major factor related to loss-of-control and tip-over accidents, which can result in severe injury or death. All slopes require extra caution. If you cannot back up the slope or if you feel uneasy on it, do not mow it.

DO

- Refer to page 11 for recommendations for wheel weights or counterweights to improve stability.
- Mow up and down slopes, not across.
- Remove obstacles such as rocks, tree limbs, etc.
- Watch for holes, ruts, or bumps. Uneven terrain could overturn the machine. *Tall grass can hide obstacles.*
- Use slow speed. Choose a low gear so that you will not have to stop or shift while on the slope.
- Use extra care with grass catchers or other attachments. These can change the stability of the machine.
- Keep all movement on the slopes *slow* and *gradual*. Do not make sudden changes in speed or direction.
- Avoid starting or stopping on a slope. If tires lose traction, disengage the blades and proceed slowly *straight* down the slope.

DO NOT

- *Do not* turn on slopes unless necessary, and then, turn slowly and gradually downhill, if possible.
- *Do not* mow near drop-offs, ditches, or embankments. The mower could suddenly turn over if a wheel is over the edge of a cliff or ditch, or if an edge caves in.
- *Do not* mow on wet grass. Reduced traction could cause sliding.
- *Do not* try to stabilize the machine by putting your foot on the ground.
- *Do not* use grass catcher on steep slopes.

III. Children

Tragic accidents can occur if the operator is not alert to the presence of children. Children are often attracted to the machine and the mowing activity. Never assume that children will remain where you last saw them.

1. Keep children out of the mowing area and under the watchful care of another responsible adult.
2. Be alert and turn machine off if children enter the area.
3. Before and when backing, look behind and *down* for small children.
4. Never carry children. They may fall off and be seriously injured or interfere with safe machine operation.
5. Never allow children to operate the machine.
6. Use extra care when approaching blind corners, shrubs, trees, or other objects that may obscure vision.

IV. Service

1. Use extra care in handling gasoline and other fuels. They are flammable and vapors are explosive.
 - a) Use only an approved container.
 - b) Never remove gas cap or add fuel with the engine running. Allow engine to cool before refueling. Do not smoke.

c) Never refuel the machine indoors.

d) Never store the machine or fuel container inside where there is an open flame, such as in a water heater.

2. Never run a machine inside a closed area.
3. Keep nuts and bolts, especially blade attachment bolts, tight and keep equipment in good condition.
4. Never tamper with safety devices. Check their proper operation regularly.
5. Keep machine free of grass, leaves, or other debris build-up. Clean up oil or fuel spillage. Allow machine to cool before storing.
6. Stop and inspect the equipment if you strike an object. Repair, if necessary, before restarting.
7. Never make adjustments or repairs with the engine running.
8. Grass catcher components are subject to wear, damage, and deterioration, which could expose moving parts or allow objects to be thrown. Frequently check components and replace with manufacturer's recommended parts, when necessary.
9. Mower blades are sharp and can cut. Wrap the blade(s) or wear gloves, and use extra caution when servicing them.
10. Check brake operation frequently. Adjust and service as required.



WARNING

Never operate on slopes greater than 30 percent (16.7) which is a rise of three feet in a travel distance of ten feet. When operating on slopes that are greater than 15 percent (8.5) but less than 30 percent, use front counterweights and rear wheel weights. In addition to front and rear weights, use extra caution when operating on slopes with rear-mounted grass catcher.

Decals

ALL WARNING, CAUTION, and instructional messages on your tractor and mower should be carefully read and obeyed. Personal bodily injury can result when these instructions are not followed. The information is for your safety and it is important. The safety messages on pages 4 and 5 are on your tractor and mower.

DANGER



ROTATING BLADES CUT OFF ARMS AND LEGS

STOP MOWER WHEN
CHILDREN ARE NEAR
NO RIDERS, THEY FALL OFF

DANGER



OPERATING ON SLOPES CAN BE DANGEROUS

SEE OPERATOR'S MANUAL
IF YOU CANNOT BACK UP A HILL,
DO NOT DRIVE ON IT

WARNING

AVOID SERIOUS INJURY OR DEATH

- READ OPERATOR'S MANUAL(S).
- KNOW LOCATION AND FUNCTION OF ALL CONTROLS.
- KEEP SAFETY DEVICES (GUARDS, SHIELDS, AND SWITCHES) IN PLACE AND WORKING.
- REMOVE OBJECTS THAT COULD BE THROWN BY THE BLADE.
- DO NOT MOW WHEN CHILDREN OR OTHERS ARE AROUND.
- NEVER CARRY CHILDREN.
- LOOK DOWN AND BEHIND BEFORE AND WHILE BACKING.
- AVOID SUDDEN TURNS.
- IF YOU CANNOT BACK UP A HILL, DO NOT OPERATE ON IT.
- GO UP AND DOWN SLOPES, NOT ACROSS.
- IF MACHINE STOPS GOING UPHILL, STOP BLADE AND BACK DOWN SLOWLY.
- BE SURE BLADE(S) AND ENGINE ARE STOPPED BEFORE PLACING HANDS OR FEET NEAR BLADE(S).
- WHEN LEAVING MACHINE, SHUT OFF ENGINE, REMOVE KEY, AND SET PARKING BRAKE.

 **CAUTION DO NOT TOW TRACTOR**
DAMAGE MAY RESULT TO TRANSMISSION

OPERATION

TO START ENGINE

SEAT MUST BE OCCUPIED. GROUND SPEED CONTROL LEVER IN NEUTRAL AND PTO SWITCH OFF.

WHEN OPERATOR LEAVES SEAT:

ENGINE WILL SHUT OFF WITH GROUND SPEED CONTROL LEVER IN FORWARD OR REVERSE, OR WITH PTO SWITCH ON.

TRACTION CONTROL

- TO STOP TRACTOR MOTION, FULLY DEPRESS CLUTCH/BRAKE PEDAL.
- ON HYDROSTATIC DRIVE TRACTORS, MOVEMENT OF TRACTION LEVER FROM NEUTRAL, IN EITHER DIRECTION, INCREASES GROUND SPEED.

TO OPERATE PTO CLUTCH

- THE OPERATOR MUST BE IN THE SEAT.
- TO ENGAGE PTO, SLIDE PTO SWITCH TOWARD OPERATOR & LIFT UP.
- TO DISENGAGE PTO, PUSH PTO SWITCH DOWN.

CHOKE



PTO SWITCH



IGNITION SWITCH



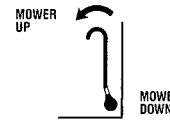
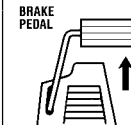
TO SET PARKING BRAKE

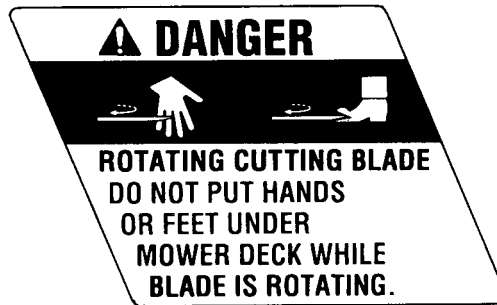
- PULL KNOB OUT WHILE BRAKE PEDAL IS DEPRESSED
- RELEASE BRAKE PEDAL WHILE HOLDING KNOB



TO RELEASE PARKING BRAKE

- DEPRESS BRAKE PEDAL
- PUSH KNOB IN WHILE BRAKE PEDAL IS DEPRESSED





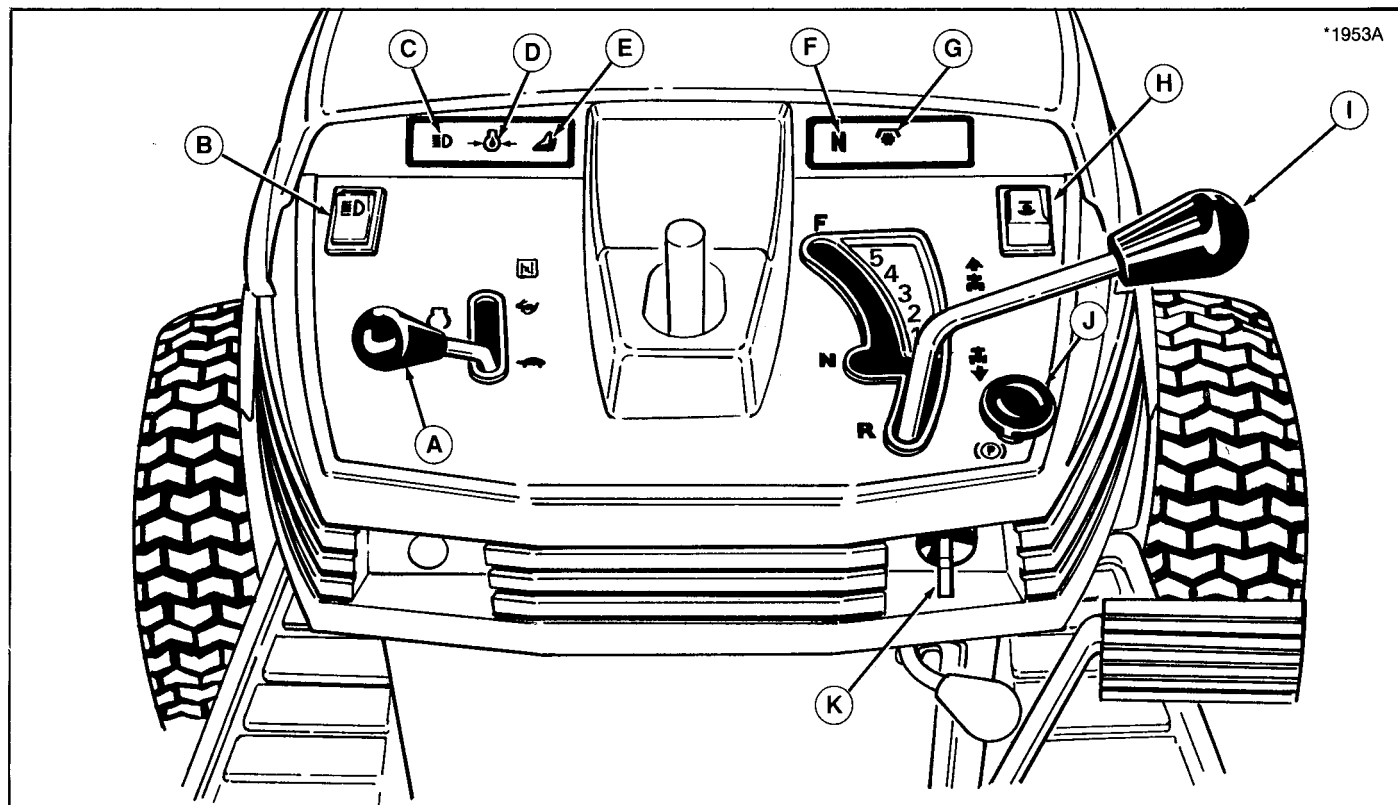


Figure 1. Controls (See page 39 for chart of International Symbols.)

ITEM	NAME	FUNCTION
A	Engine Speed Control Lever	Controls engine speed. Push fully forward to close choke.
B	Headlight Switch	Push front down to turn headlight on, push back to turn headlight off.
C	Headlight Indicator Light (Blue)	Indicates headlights on when lit.
D	Oil Pressure Indicator Light (Red)	Indicates low oil pressure (when engine is running). Lights up with ignition key (K) turned on. Should go out immediately after engine starts.
E	Operator Seated Indicator Light (Green)	Indicates operator present/seat switch engaged. Must be lit for engine to start. For more details, refer to "Safety Interlock System".
F	Neutral Indicator Light (Green)	Indicates transmission lever (I) is in neutral gate. Must be lit for engine to start.
G	PTO Indicator Light (Red)	Indicates electric PTO switch (I) is on. Must be off for engine to start.
H	Electric PTO Switch	Controls PTO clutch for attachments. Slide back and pull up to engage clutch, push down to disengage. Activates PTO light, item G.
I	Transmission Control Lever	Controls ground speed and gear selection. Push forward to select gear. Pull back to go in reverse. Fifth gear is the fastest ground speed.
J	Parking Brake Control Knob	Engages parking brake. Depress clutch/brake pedal (C, figure 3) fully and pull up knob. To disengage brake, depress pedal and push knob down.
K	Ignition Switch	Starts and stops engine.

Figure 1. Controls (See page 39 for chart of International Symbols.)

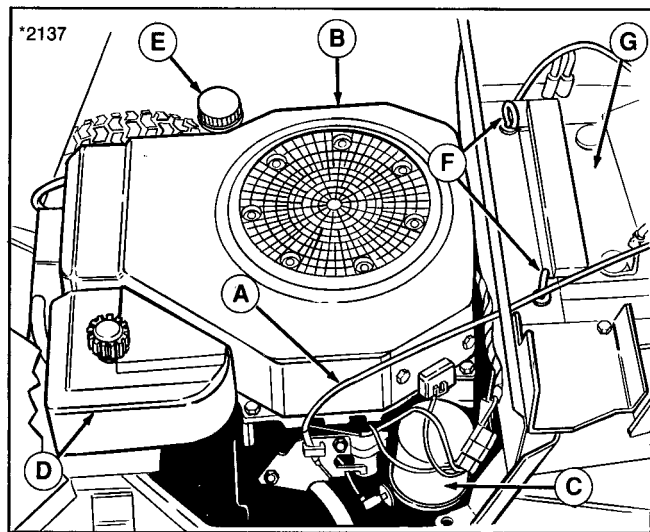


Figure 2. Engine Compartment

ITEM	NAME	DESCRIPTION
A.	Throttle/Choke Cable	Controls engine speed, RPM level and choke position. See Engine Manual for adjustment.
B	Fuel Filter	In-line filter for straining particles in fuel lines and fuel tank.
C	Oil Filter	Spin-on oil filter for easy maintenance. Refer to Engine Manual for recommended service intervals and procedures.
D	Air Filter	See Engine Manual for maintenance instruction.
E	Oil Fill/Dipstick	Turn and remove to check or add oil. See Engine Manual for dipstick instruction.
F	Battery Holddown Rods	Spin-off rods retain battery clamp and battery.
G	Battery	12 volt, 340 amp battery recharged by engine alternator.

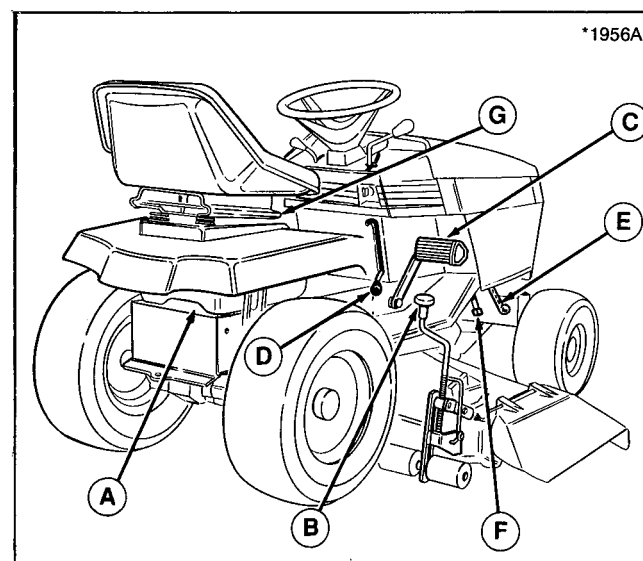


Figure 3. Tractor Controls

ITEM	NAME	FUNCTION
A	Fuel Tank with Gauge	4-gallon (15.1 L) fuel tank with built-in gauge in filler cap.
B	Mower Height Adjuster	Controls height of mower cut. Infinitely adjustable from 1" to 3-5/8" cutting heights.
C	Brake/Clutch/Parking Brake Pedal	Press down to disengage drive and apply brake. For parking brake, depress pedal fully and lift control knob (J, figure 1).
D	Mower Lift Lever	Lifts and locks mower into transport position when lever is raised and moved into top position.
E	Hood Latch	Rubber strap secures hood to frame. Release strap on eachside to raise engine hood.
F	Oil Drain	Oil drain extension tube allows for engine oil to be drained from underneath tractor frame.
G	Seat Lever	Releases seat for forward/back seat position.

SAFETY INTERLOCK SYSTEM

Your tractor is equipped with a seat switch safety system that will automatically shut the engine off when the operator leaves the seat with the transmission lever in gear or PTO engaged. Once the engine has stopped, the electric PTO switch must be turned off after operator returns to seat in order to start the engine.

Check operation of dash safety lights. With operator in seat and ignition switch turned to ON (engine not running):

- a. Neutral light should go on with transmission lever in neutral gate and should go out when lever is moved to either forward/reverse gate.
- b. PTO light should go on and off with operation of PTO switch.
- c. Oil pressure light should be on and should go out immediately after engine starts.
- d. Operator present light should go on and off as operator lifts off seat.

Seat Switch Tests

Check the seat switch (A, figure 4) every fall and spring with the following four tests.

WARNING

If the tractor does not pass the test, do not operate tractor. See your authorized dealer. Under no circumstance should you attempt to defeat the purpose of the safety system.

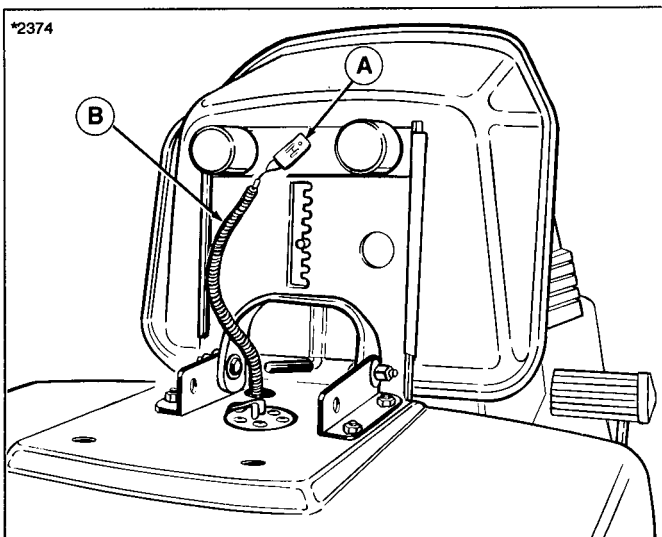


Figure 4. Seat Switch
A. Seat Switch
B. Wiring Harness

Test 1 — Engine should NOT crank if:

- A. Seat not occupied or;
- B. Transmission lever out of neutral, or;
- C. PTO switch engaged.

Test 2 — Engine should crank if:

- A. Seat is occupied, and;
- B. Transmission lever in neutral, and;
- C. PTO switch disengaged.

Test 3 — Engine should shut off if:

- A. Operator rises off seat with transmission lever in gear, or:
- B. Operator rises off seat with PTO engaged.
- C. If operator returns to seat before engine stops, the engine will restart and electric PTO clutch will re-engage.

Test 4 — Electric clutch will disengage if:

- A. Operator rises off seat with engine running.
- B. If operator returns to seat before engine stops, the engine will resume speed and electric PTO clutch will re-engage.

OPERATION ON SLOPES



WARNING

Never operate on slopes greater than 30 percent (16.7°) which is a rise of three feet in a travel distance of ten feet. When operating on slopes that are greater than 15 percent (8.5°) but less than 30 percent, use front counterweights and rear wheel weights. In addition to front and rear weights, use extra caution when operating on slopes with rear-mounted grass catcher.

To safely mow on slopes, perform the following common-sense test to determine if slope is too steep for tractor use:

1. Try to back directly up the slope. If tractor easily climbs slope in reverse, tractor can safely be used to mow slope by going directly up and down the face of the slope. DO NOT MOW ACROSS THE FACE OF SLOPES OVER 15%, ONLY MOW UP AND DOWN.
2. If tractor fails to climb slope in reverse, do not use tractor to mow slope. Use push mower and follow safety guidelines in Operator's Manual for push mower.
3. Do not start or stop on slopes when mowing up and down the face of slopes.

CHECKS BEFORE STARTING



WARNING

Never add gasoline when engine is running.

1. Check that gas tank is at least 3/4 full to avoid refueling.
2. Check engine oil level and add if necessary. Refer to engine Owner's Manual for recommendations.
3. Make sure either mower deflector or grass collection system is in place.
4. Check for loose nuts, screws, bolts, oil leaks, gasoline leaks, etc.
5. Make sure the mower is in desired cutting height.

STARTING AND STOPPING



WARNING

Never allow passengers to ride on the unit.

1. Before using this mower for the first time, the owner should operate in an open area, without mowing, to become accustomed to the unit. The left side of the mower can be used to trim close to objects in the lawn. Read "Operation on Slopes", page 11.
2. Make sure PTO is disengaged and transmission control lever is in neutral.
3. For cold starts, push engine speed control into choke position.
For warm starts, set engine speed control between 1/2 and 3/4 throttle.
4. Turn the key to start and release when engine starts. Move lever out of choke position as engine warms.
5. Make sure desired direction is clear of objects, people and animals.
6. Release the parking brake.
7. Move the transmission control lever out of Neutral to travel. Push forward to select gear, or pull back to go in reverse.

8. Place engine speed control lever to full throttle, especially if mowing thick grass. Ground speed can be controlled by placement of transmission lever (I, figure 1). Using full throttle will also ensure that battery will be recharging.
9. Lower mower from transport position. Use the electric PTO switch to engage mower or attachment drive.
10. Select the appropriate ground speed for conditions. If the terrain is rough, hilly or sloping, drive slowly. You should also drive slowly to cut thick grass.
11. Use a lower gear to slow down for turns or to trim around objects, then increase ground speed. To stop, depress clutch/brake pedal and move the control lever into NEUTRAL position.
12. **Before leaving operator's position**, set the parking brake and disengage the mower PTO. (The parking brake is shown set in figure 5). Set the engine speed control to SLOW and allow the engine to idle for 20 seconds. Turn the key to OFF and remove it. Wait for moving parts to stop.
13. Clean all dirt and grass from the mower and tractor. Be sure to clean the engine and transmission compartment. Allow engine to cool before touching engine parts.

CLUTCH/BRAKE PEDAL OPERATION

Refer to figure 5. Depressing the pedal from position A to B disengages the transmission drive and applies the tractor brake. Parking brake is applied at position B when parking brake control knob (C, figure 5) is pulled up with the pedal fully depressed.

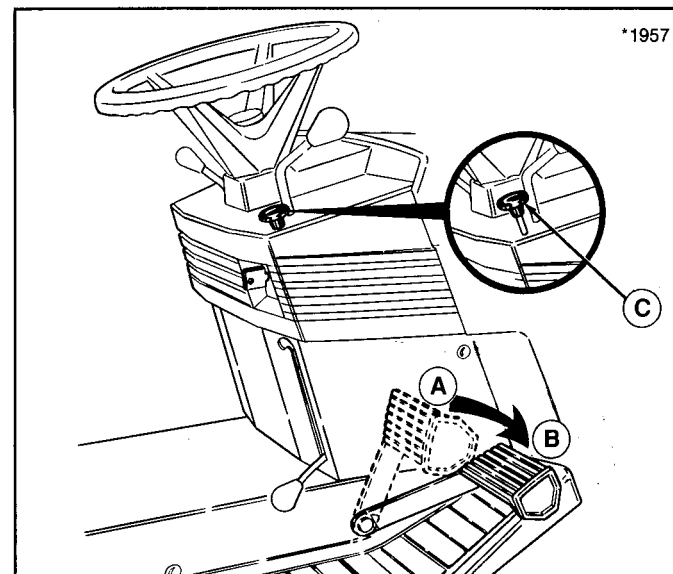


Figure 5. Clutch/Brake/Parking Brake Pedal

MOWING PATTERN & TIPS

For the first use of the mower choose a smooth level area. Cut long straight strips overlapping slightly.

The size and type of area to be mowed determines the best mowing pattern to use. Obstructions such as trees, fences and buildings must also be considered. Where possible, make one or two passes in a clockwise direction around the outside of the area to keep cut grass off fences and walks. The remainder of the mowing should be done in a counterclockwise direction so the clippings are dispersed on the cut area.

Most lawns should be mowed to keep the grass approximately two to three inches (50 to 76 mm) high. Best results are obtained by cutting often and not too short. To help keep a green lawn, never mow more than one third of the height of the grass, or a maximum of one inch (25 mm), in one mowing. For extremely tall grass, set the cutting height at maximum for the first pass, and then reset to the desired height and mow again.

Adjust the cutting height as necessary. For best appearance, grass should be cut in the afternoon or early evening (in daylight) when it is free of external moisture.

Where possible, change patterns occasionally to eliminate matting, graining or a corrugated appearance.

Normal Care

	See	Before First Use	Before Each Use	Every 5 Hours	Every 25 Hours	Every 100 Hours	Spring & Fall
Safety Items							
Check safety interlock system.	pg. 10	•					•
Check tractor brakes.	pg. 13	•					•
Check mower blade stopping time.	pg. 36	•	After adjustment or service of electric PTO clutch.				•
Normal Care Items							
Check tractor & mower for loose nuts, screws, bolts, oil leaks, etc.		•	•	•			
Check engine oil level.	Eng.Mn.	•	•	•			
Check engine & air filter.	" "				**•		
Change engine oil and filter.*	" "				**•		***•
Lubricate tractor & mower.	pg. 16				**•		
Check fluid levels & tire pressure.	pg. 20	•	•		**•		
Check fuel filter.	pg. 21					•	
Clean battery & cables.	pg. 20					•	
Clean/sharpen blades.	pg. 24					•	
Inspect spark plug(s).	Eng.Mn.					•	
<p>*Change original engine oil after first 5 hours of operation. **More often in hot (over 85° F: 30° C) weather or dusty operating conditions. ***Only if tractor is used in both summer (over 40° F) and winter (under 40° F: 4.5° C). Use SAE 5W-30 engine oil for cold weather operation (under 30° F).</p>							

Normal Care Schedule

STORAGE (30 Days or More)

1. Run tractor engine until it stops from lack of fuel or, use a gasoline stabilizer. This additive, available from your dealer, prevents formation of gum and varnish for up to one year.



WARNING

Never store tractor where gasoline fumes may reach an open flame or sparks.

2. Change engine oil. Record the type and weight of oil put in crankcase. See the engine Owner's Manual for recommendations.
3. Remove the spark plug(s). Squirt approximately one ounce (30 ml) of engine oil into engine through spark plug hole. Crank engine a few times to distribute oil and then reinstall the spark plug.
4. Lubricate the tractor and mower.
5. Check battery fluid level. Battery life will be extended if it is removed and stored in a cool, dry place, fully charged.
6. Clean tractor thoroughly. Touch up exposed metal parts with a good quality paint (obtainable from your dealer) or a light film of grease or oil.

LUBRICATION

1. With an oil can, apply a few drops of oil to points indicated with oil can in figures 6 through 12.
2. With a grease gun, apply one or two shots of lithium based automotive grease to the grease fittings shown in the following illustrations.

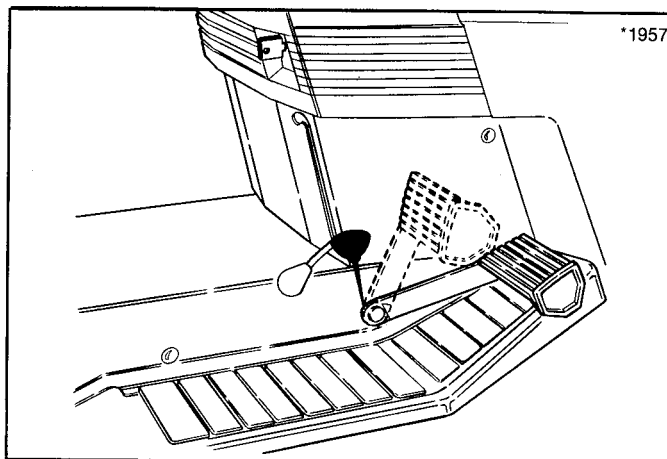


Figure 6. Lubricate Brake Pedal Pivot Point

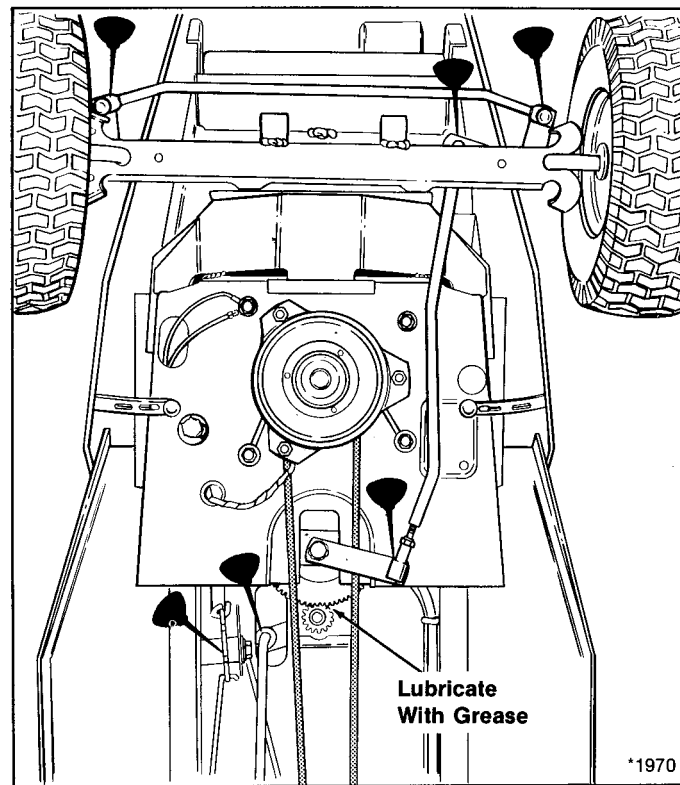


Figure 7. Tractor Lubrication Points - Front Half

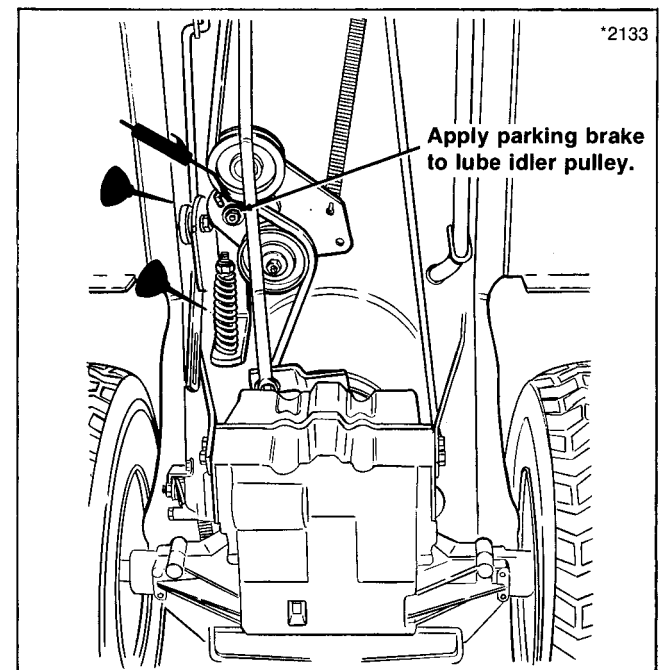


Figure 8. Tractor Lubrication Points - Rear Half

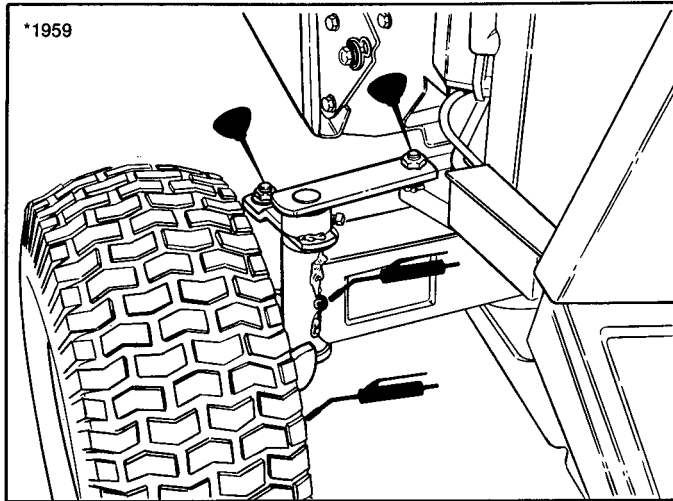


Figure 9. Front Axle Lubrication Points

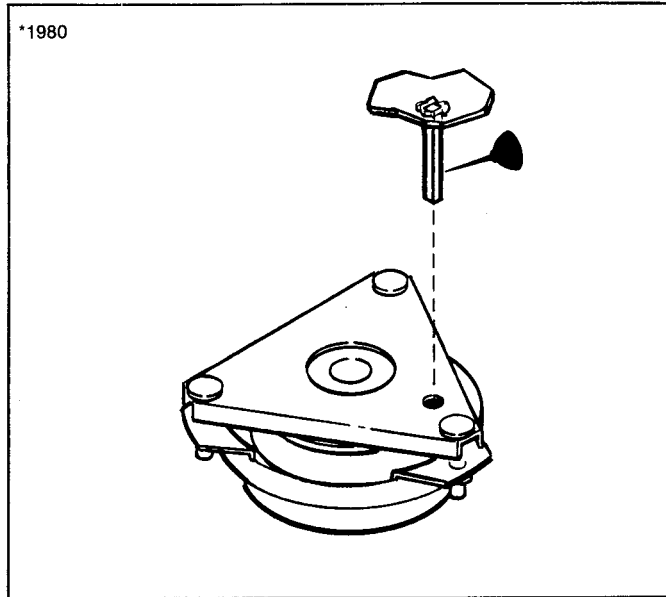


Figure 10. Electric Clutch
Lubricate tab (welded to underside of frame) whenever electric clutch is removed for service or drive belt replacement.

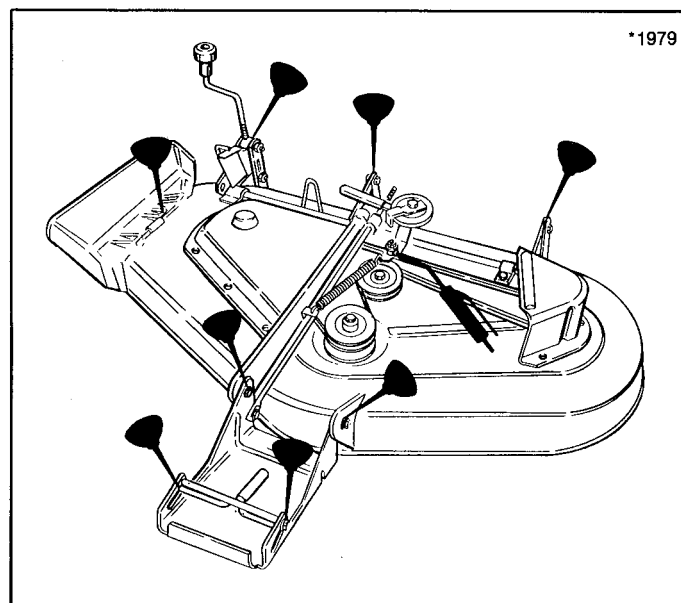


Figure 11. Mower Lubrication Points

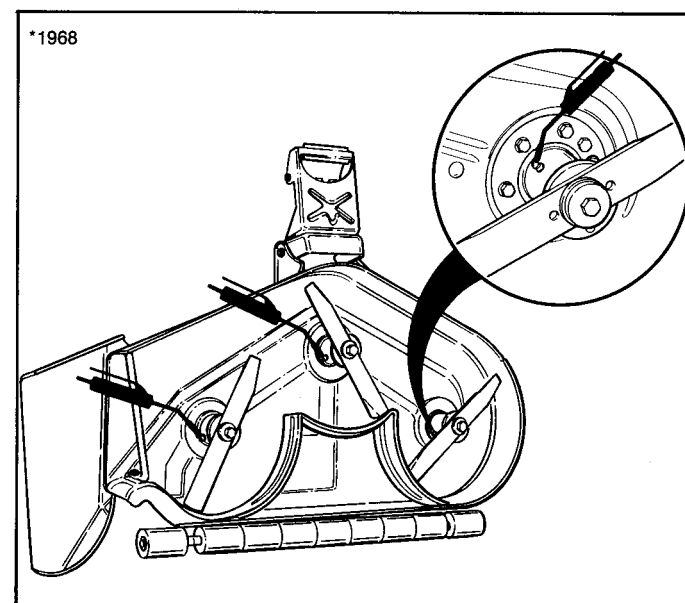


Figure 12. Arbor Lubrication Points

CHECK TIRE PRESSURE

Make sure the air pressure in the front tires is 12 to 15 psi (82 to 100 kPa) and the air pressure in the rear tires is 6 to 8 psi (41 to 55 kPa). Use a gauge with one-pound markings.

BATTERY MAINTENANCE



WARNING

For your personal safety when removing or installing battery cables, always disconnect the negative cable **FIRST** and reconnect it **LAST**. The positive battery terminal can easily be shorted to the tractor frame by a wrench or other tool if this is not done.



WARNING

Be careful when handling the battery. Avoid spilling electrolyte. Keep flames and sparks away from the battery.

Check Fluid Level

Check the battery fluid level. Wipe dirt from around the cap then remove the cap. The fluid must be even with the bottom of the split ring. If not, add distilled water. Reinstall the cap. Be sure the cover is in place over positive terminal. Make sure vent tube from battery cap extends beyond battery platform.

Cleaning Battery and Cables.

1. Open engine compartment to locate battery (figure 13). Disconnect the cables from the battery, negative cable first. A positive "+" sign is stamped on the battery next to the positive terminal.
2. Remove the battery holddown rods and battery clamp. Separate the battery cap from the vent tube (the vent tube should remain routed through the frame). Remove the battery.

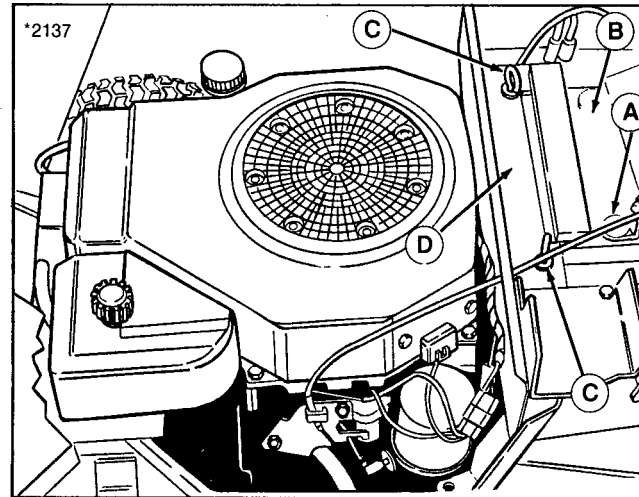


Figure 13. Battery

A. Positive Terminal
B. Negative Terminal

C. Holddown Rod
D. Battery Clamp

3. Clean the battery terminals and cable clamps with a wire brush.
4. Scrub the battery, cable and battery compartment with baking soda and water.
5. Reinstall battery and clamps. Reinstall vent tube to battery cap. Secure the clamps with holddown rods.
6. Connect cables, positive cable first.
7. Coat cable clamps and terminals with petroleum jelly or approved terminal spray coating. Be sure to slide cover over positive terminal.

CHECK FUEL FILTER



WARNING

Do not remove fuel filter when engine is hot, as spilled gasoline may ignite. Do not spread hose clamps further than necessary. Make sure that clamps grip hose firmly over filter after installation.

The fuel filter is located in fuel line in engine compartment. A dirty or clogged fuel filter will cause erratic engine operation or prevent engine from running. Replace as follows:

1. Place a container below fuel filter to catch gasoline.
2. Using a pliers, open and slide hose clamps from fuel filter.
3. Remove hoses from filter.
4. Install new filter in proper flow direction in hoses. Secure by reclamping with hose clamps.
5. If new filter is not available, remove old filter, drain gasoline, and allow to dry. Inspect screen for particles. Tap filter or blow air through filter to remove particles. Replace filter and check if engine operation improves.

MOWER REMOVAL & INSTALLATION

1. Park tractor on a level surface. Turn off PTO switch and engine and remove key. Apply parking brake and lower mower lift lever from transport position. Place mower in lowest cutting height and turn wheels fully left.
2. On left hand side of tractor, push or pull idler pulley arm (A, figure 14) away from you (towards inside of tractor) to relieve belt tension.

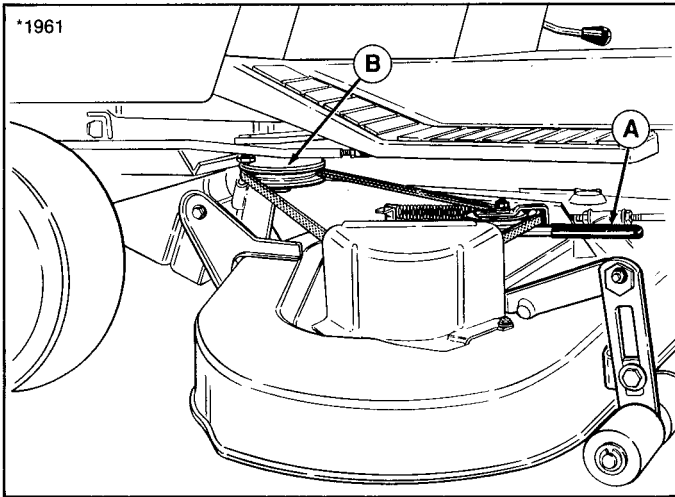


Figure 14.
A. Idler Pulley Arm
B. Electric Clutch Pulley

3. With belt tension relieved, remove belt from electric clutch pulley (B, figure 14). Removing belt relieves the tension on the front hitch assembly.
4. Remove mower from tractor hitch brackets (A, figure 15) by pulling spring-loaded lever (B) forward and lifting up on hitch. Place mower hitch on ground.

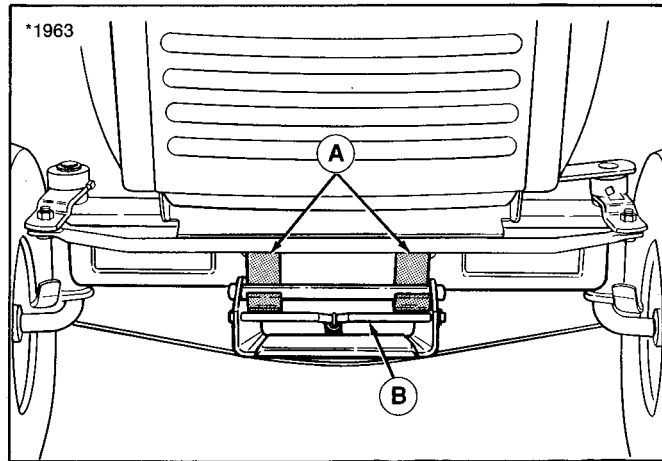


Figure 15.
A. Tractor Hitch Brackets
B. Lever

5. Disconnect mower lift arm (A, figure 16) from tractor lift arm (B) by removing safety clip (C) and flat washer from weld stud. Reinstall washer and clip on mower lift arm for storage.
6. Remove mower from underneath right hand side of tractor.
7. To install mower, reverse above steps. Check mower belt pattern as shown in figure 17.

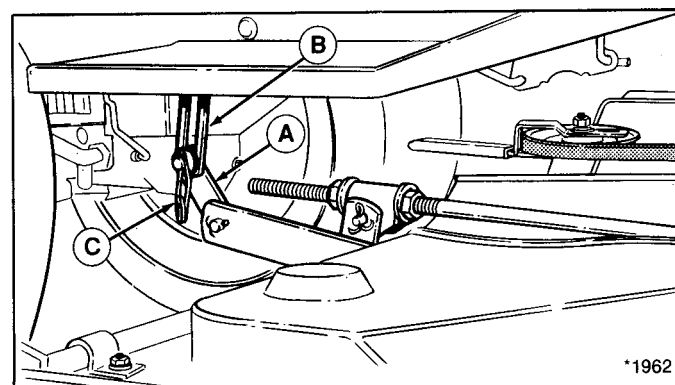


Figure 16.
A. Mower Lift Arm
B. Tractor Lift Arm
C. Safety Clip

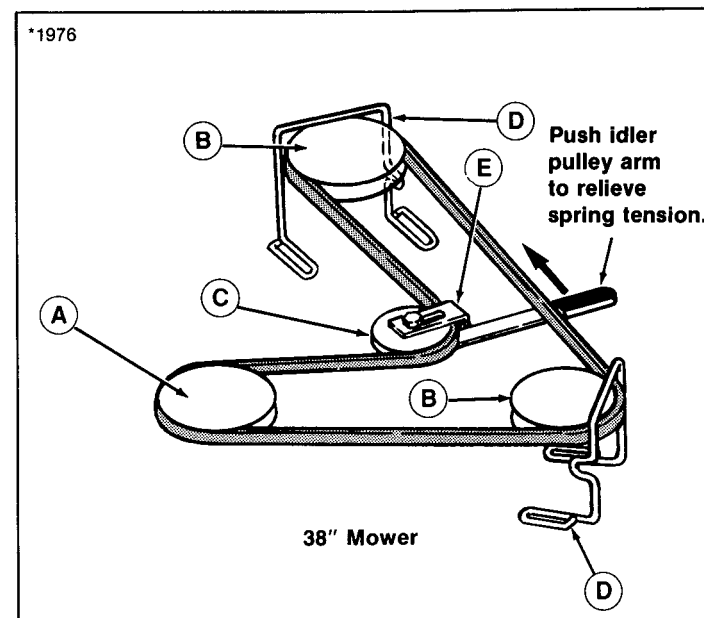


Figure 17. Mower Drive Belt Pattern
A. Electric Clutch Pulley
B. Arbor Pulley(s)
C. Idler Pulley
D. Belt Stop
E. Bracket Belt Stop

SERVICING THE MOWER BLADES



WARNING

Do not handle the blade with bare hands. Do not touch the cutting edge.

Sharpening & Balancing

1. To remove a blade, wedge a wood block between blade and housing to prevent rotation. Then, turn capscrew counterclockwise to remove.
2. Use a file to sharpen blade to a fine edge. Remove all nicks and dents in blade edge. If blade is severely damaged it should be replaced.
3. To balance the blade, use a balancing machine or the following procedure. Drive a small nail into the side of a workbench or other vertical surface. Lubricate the nail with a drop of oil. Center the blade center hole on the nail. A balanced blade will remain level. File material off heavier end of blade until it is balanced.

Blade Installation

1. Reinstall the blade(s) with the tabs pointing upward. Install the spline washer, cup washer, and capscrew (see figure 18). Be sure the splines on the spline washer are engaged with the shaft splines. Be sure cup washer is installed with the concave side up.

2. To tighten the capscrew, wedge a wood block between blade and housing to prevent blade from turning. Torque the capscrew to 50 to 70 ft. lbs. (68-76 Nm).

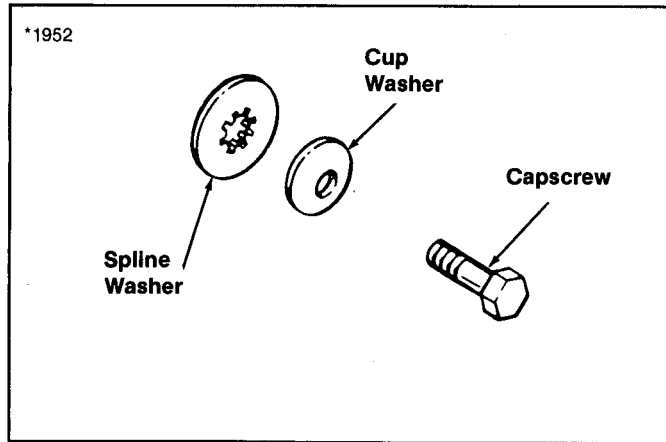


Figure 18. Blade Hardware

Troubleshooting

CONTENT OF SECTION

This section of the manual provides troubleshooting and repair instructions for the more common and easily corrected problems. For other problems, it is recommended that you contact your dealer.



WARNING

Perform maintenance on the tractor or mower only when the engine is stopped and the parking brake engaged. Always remove the ignition key before beginning the maintenance to prevent accidental starting.

Problem

Cause/Remedy

- | Problem | Cause/Remedy |
|--|---|
| 1. Engine will not turnover or start. | <ul style="list-style-type: none">A. Transmission lever not in neutral-start position. Shift into neutral.B. Electric PTO switch in ON position. Place in OFF position.C. Out of fuel. Allow engine to cool then refill the fuel tank.D. Engine flooded. Move throttle control out of CHOKE position.E. Circuit breaker tripped. Wait one minute for automatic reset. Replace if defective (see your dealer).F. Battery terminals require cleaning. See Normal Care section.G. Battery discharged or dead. Recharge or replace.H. Wiring loose or broken. Visually check wiring & replace broken or frayed wires. Tighten loose connections.I. Solenoid or starter motor faulty. Repair or replace.J. Safety interlock switch or module faulty. Replace if needed (see your dealer.)K. Spark plug(s) faulty, fouled or incorrectly gapped. Clean and gap or replace. See engine manual.L. Water in fuel. Drain fuel & refill with fresh fuel.M. Old stale gas. Drain fuel & replace with fresh fuel. |

Problem	Cause/Remedy
2. Engine starts hard or runs poorly.	A. Fuel mixture too rich. Clean air filter. Check choke adjustment (engine speed control). See engine manual. B. Carburetor adjusted incorrectly. See engine manual. C. Spark plug faulty, fouled, or incorrectly gapped. Clean and gap or replace. See engine manual.
3. Engine knocks.	A. Low oil level. Check/add oil as required. B. Using wrong grade oil. See engine manual
4. Excessive oil consumption.	A. Engine running too hot. Clean engine fins, blower screen and air cleaner. B. Using wrong weight oil. See engine manual. C. Too much oil in crankcase. Drain excessive oil.
5. Engine exhaust is black.	A. Dirty air filter. Clean air filter. See engine manual. B. Check engine speed control adjustment (choke). See engine manual.
6. Engine runs, but tractor will not drive.	A. Transmission control lever in neutral. Shift in forward gear or reverse. B. Belt is broken. See "Drive Belt Replacement". (See Adjustments section.) C. Drive belt slips. (See problem and cause below.)
7. Tractor drive belt slips.	A. Pulleys or belt greasy or oily. Clean as required. B. Belt stretched or worn. Replace with correct belt. C. Idler pulley pivot bracket "froze" in declutched position. Remove idler pulley, clean and lubricate.

Troubleshooting

Problem	Cause/Remedy
8. Brake will not hold.	A. Brake is incorrectly adjusted. See "Brake Adjustment".
9. Tractor steers hard.	A. Steering linkage is loose. Check and tighten any loose connections. See "Steering Gear Adjustment". B. Improper tire inflation. Check and correct. C. Spindle bearings dry. Grease spindles. See Normal Care - Lubrication section.
10. Drive belt does not stop when clutch-brake depressed.	A. Belt stops out of adjustment. See "Drive Belt Replacement" section.

TROUBLESHOOTING (MOWER)

1. Mower will not raise.	A. Lift arms or lift link not properly attached or damaged. Attach or repair.
2. Mower cut is uneven.	A. Mower not leveled properly. See Mower Leveling. B. Tractor tires not inflated equally or properly. See Normal Care section.
3. Mower cut is rough looking.	A. Engine speed too slow. Set for three-fourths to full speed. B. Ground speed too fast. Use transmission lever to control ground speed. C. Blades dull and require sharpening. See Normal Care section. D. Mower drive belt slipping. Belt oily or worn. Clean or replace belt as necessary. E. Check PTO Clutch Adjustment. Clutch may need to be adjusted. F. Blades not properly fastened to arbors. See Normal Care section.

Problem	Cause/Remedy
4. Engine stalls easily with mower engaged.	A. Engine speed too slow. Set for 3/4 to full throttle. B. Ground speed too fast. Use lower gear. C. Carburetor not adjusted properly. D. Cutting height set too low when mowing tall grass. Cut tall grass at maximum cutting height during first pass. E. Discharge chute jamming with cut grass. Cut grass with discharge pointing toward previously cut area.
5. Excessive mower vibration.	A. Mower blades, arbors, or pulleys are bent. Check and replace as necessary. B. Mower blades are out of balance. Remove, sharpen and balance blades (see Normal Care section). C. Belt installed incorrectly. See "Mower Belt Replacement".
6. Excessive belt breakage.	A. Bent or rough pulleys. Repair or replace. B. Using incorrect belt. See your dealer.
7. Mower drive belt slips or fails to drive.	A. Idler pulley spring broken or not properly attached. See your dealer. B. Mower drive belt broken. Replace.

BATTERY REPLACEMENT

A battery too weak to start the engine may not need to be replaced. It may, as an example, mean that the charging system is not working properly or that the battery has lost its charge during storage. First check the fluid level and clean the battery. Have the battery recharged if necessary. To ensure full charging, make sure tractor is operated at full throttle. If there is any doubt about the cause of the problem, see your dealer. If you must replace the battery, remove and install the battery as described in "Clean Battery and Cables."

JUMP STARTING WITH AUXILIARY (BOOSTER) BATTERY

Jump starting is not recommended. First check the battery in "Battery Replacement" above. If jump starting must be done, follow these directions. Both booster and discharged batteries should be treated carefully when using jumper cable. Follow exactly the procedure outlined below, being careful not to cause sparks. Refer to figure 19.



WARNING

Never expose battery to open flame or electric spark — battery action generates hydrogen gas which is flammable and explosive. Do not allow battery acid to contact skin, eyes, fabrics, or painted surfaces. Batteries contain a sulfuric acid solution which can cause serious personal injury or property damage.



WARNING

Any procedure other than the above could result in: (1) personal injury caused by electrolyte squirting out of the battery vents, (2) personal injury or property damage due to the battery explosion, (3) damage to the charging system of the booster vehicle or the other immobilized vehicle.

Do not attempt to jump start a vehicle having a frozen battery because the battery may rupture or explode. If a frozen battery is suspected, examine all fill vents of the battery. If ice can be seen, do not attempt to start with jumper cables.

NOTE

The positive terminal has a cover. Slide cover away to perform this procedure. Slide cover back over positive terminal for normal operation.

1. Set parking brake.
2. Remove vent cap from both the booster and the discharged batteries. Lay a cloth over the open vent wells on each battery. These two actions help reduce the explosion hazard always present in either battery when connecting a "live" battery to a "dead" battery.

3. Attach one end on one jumper cable to the positive terminal of the booster battery (identified by a red color, "+" or "P" on the battery case, post or clamp) and the other end of same cable to positive terminal of discharged battery.
4. Attach one end of the remaining cable to the negative terminal (black color, "-" or "N") of the discharged battery, and the other end to a bare metal surface on the frame of your tractor AWAY FROM the battery

compartment (do not connect directly to negative post of booster battery). Take care that clamps from one cable do not inadvertently touch the clamps on the other cable. Do not lean over the battery when making the connection.

5. The tractor with discharged battery should now start.
- Reverse the jump starting procedure exactly to remove the jumper cables. Then reinstall the vent caps and throw the cloths away as they may have corrosive acid on them.

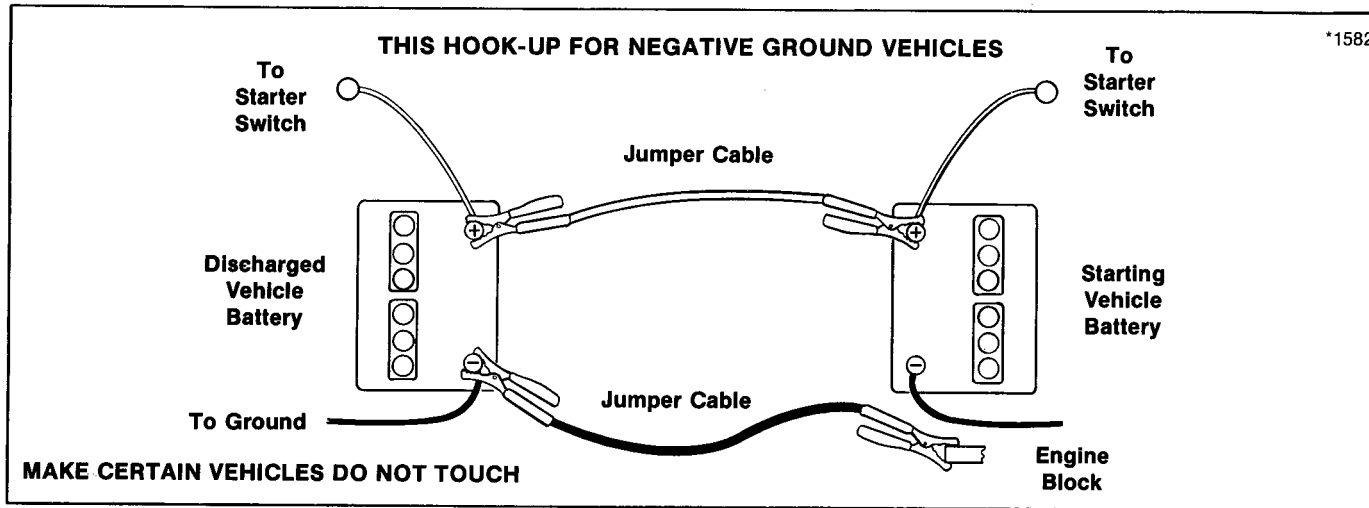


Figure 19. Jump Starting

DRIVE BELT REPLACEMENT

1. Park the tractor on a level surface. Turn off PTO and engine and remove key. Remove mower as described under "Mower Removal".
2. Lock parking brake to relieve belt tension at idler pulley.
3. To remove belt from idler pulley (A, figure 20), loosen flange whiz nuts (B) and washers retaining idler pulleys to bracket. Belt will slip from between belt stop (C) and idler bracket.
4. Release parking brake. Rotate idler pulley to relieve spring tension and remove spring (D).

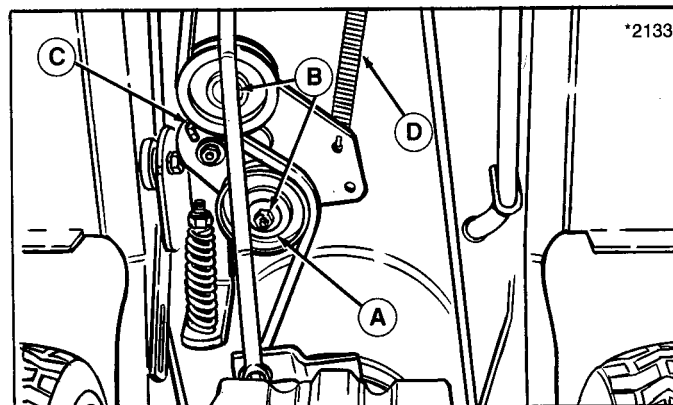


Figure 20.

A. Idler Pulley
B. Flange Whiz Nuts

C. Belt Stop
D. Spring

5. To remove belt from engine pulley, the electric clutch must be removed and the belt slid over the top of the pulley. Remove the capscrew (A, figure 21), washer and lockwasher securing the electric clutch to the engine crankshaft. Slide belt over the top of the engine pulley.
6. Install new belt over engine pulley before reinstalling electric clutch. Reinstall washer, lockwasher, and capscrew. Lubricate weld tab on underside of tractor (refer to figure 10). Make sure weld tab is aligned with hole in top of electric clutch. Tighten capscrew snug.

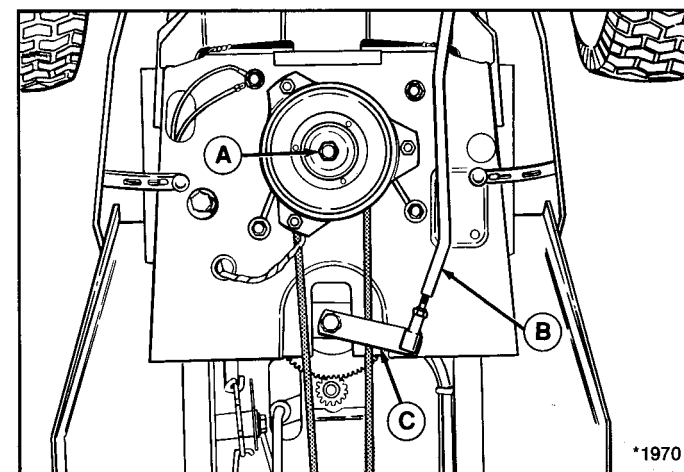


Figure 21.

A. Capscrew
B. Drag Link
C. Steering Arm

7. On left hand side of tractor, remove nut securing drag link (B) to steering arm (C). Drop old belt below drag link. Route new belt above drag link before reinstalling nut on drag link. Tighten nut.
8. Slip belt from gear-drive pulley and rear idler pulley. Loosen belt stops on idler pulley as necessary. Remove belt from tractor.
9. Install new belt to gear-drive pulley and rear idler pulley. Adjust belt stop to 1/16" to 1/8" from belt.
10. Reinstall idler pulley spring (D, figure 20) to frame with new belt routed between spring and bottom of frame.
11. Lock parking brake to position idler pulley bracket. Install new belt to idler pulleys. Make sure belt is properly routed on flat and V-sided pulleys. Refer to figure 22. Install washers and flange whiz nuts securing pulleys.
12. Check belt routing around engine pulley, idler pulleys, and transaxle pulley. Check that the electric clutch, drag link, and idler pulley spring are all correctly reinstalled.
13. Start tractor engine and check operation of belt by placing transmission lever in gear and engaging/disengaging clutch pedal.

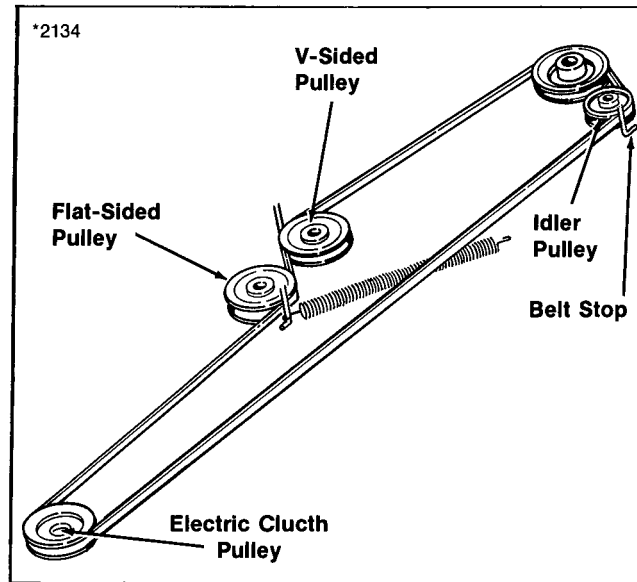


Figure 22. Drive Belt

MOWER BELT REPLACEMENT

1. Mower does not need to be removed to install a new belt. However, for easier access, mower can be removed following steps in "Mower Removal and Installation".
2. If mower is not removed, place mower in low cut position. Push idler pulley arm (A, figure 23) away from you to relieve belt tension. Drop belt from electric clutch pulley (B).
3. Loosen belt stops (C) on arbor drive pulleys.
4. Loosen bracket belt stop (D) on idler pulley.
5. Remove old belt and replace with new belt. Make sure V-side of belt runs in arbor pulley grooves and flat side of belt runs against idler pulley.
6. Position the bracket belt stop (D) up against arm (A) so that there is a 1/8" gap between pulley and belt stop.
7. Retighten the belt stops (C) on arbor drive pulleys with 1/8" gap between stops and pulleys.
8. Reinstall mower if removed, or reinstall belt to electric clutch pulley (B).

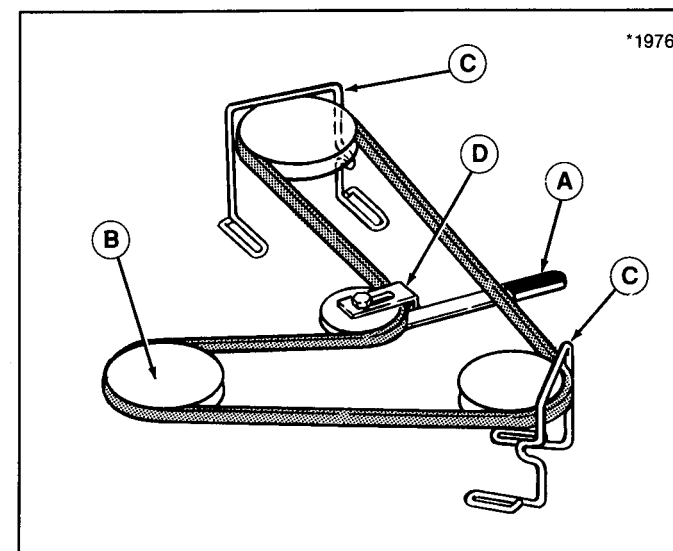


Figure 23.
A. Idler Pulley Arm
B. Electric Clutch Pulley
C. Belt Stops
D. Bracket Belt Stop

Adjustments

MOWER LEVELING



WARNING

Before checking mower, shut off PTO and engine.
Allow all moving parts to stop. Remove ignition key.

Side-To-Side

1. Make sure tire pressures are correct:
Front: 12-15 psi (82-100 kPa)
Rear: 6-8 psi (41-55 kPa)
2. Park the tractor on a level surface. Make sure mower lift lever is in the "down" position. Point tires straight ahead.
3. Place mower in mid cut position.
4. Turn the blades side-to-side and measure distance from outside tips of blades to ground. Measurement should be equal (within 1/8"). For adjustment, refer to figure 24.
 - a. Loosen outside nut (A, figure 24).
 - b. Turn eccentric hex nut (B) to raise or lower left-hand side of mower.
 - c. Hold eccentric nut (B) and tighten nut (A). Recheck measurement.

Note: When using turbo collection system, raise the discharge side of the mower approximately 1/4" to compensate for weight of turbo assembly. Check the levelness of cut grass and adjust the 1/4" measurement as necessary for a smooth, even cut.

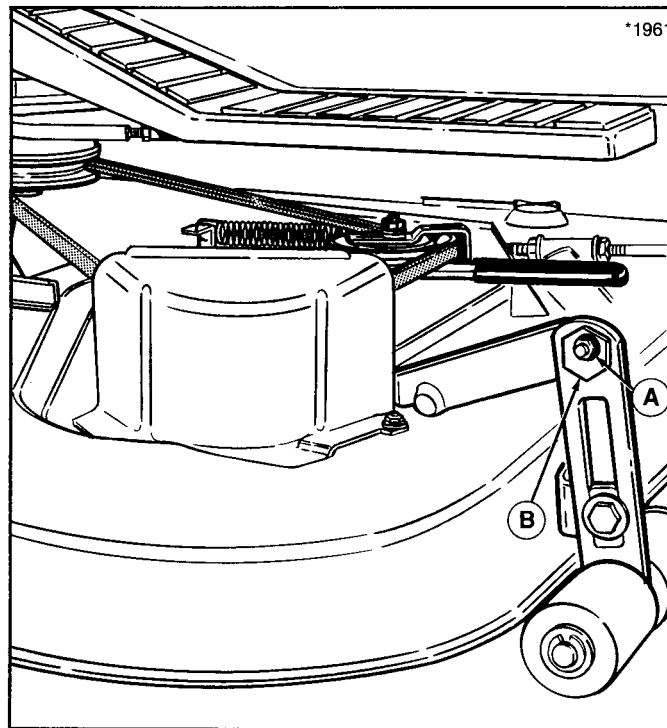
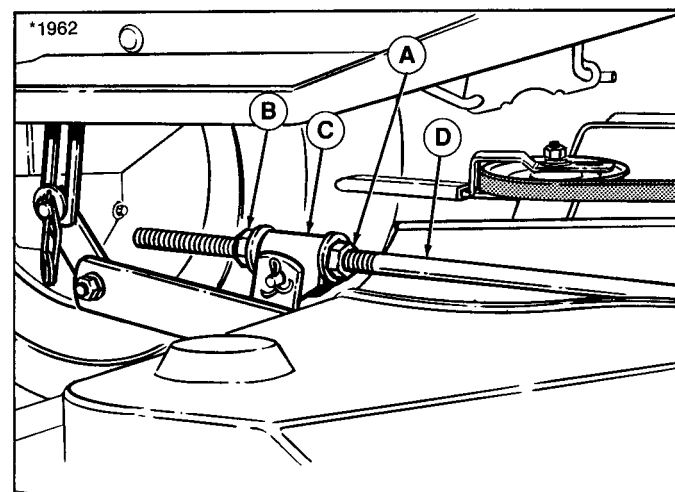


Figure 24. Side-To-Side Leveling

- A. Outside Nut
B. Eccentric Nut

Front-To-Back Leveling

4. Turn the blades front-to-back. Measure the distance from the ground to front tip of the right blade, and from the ground to the rear tips of the left and right hand blades. Front tips should be 1/4" higher in front. For adjustment, refer to figure 25.
 - a. To raise front of mower deck, loosen front nut (A) and turn rear nut (B) against bracket (C) to shorten rod (D).
 - b. To lower front of mower deck, loosen rear nut (B) and bracket (C) will move backwards to lengthen rod (D).
 - c. Recheck measurement before tightening front nut (A) against bracket.

**Figure 25. Front-To-Back Leveling**

- A. Front Nut
- B. Rear Nut
- C. Mower Bracket
- D. Adjustment Rod

NEUTRAL ADJUSTMENT

1. Position the ground speed control lever so that neutral is found on the gear box (even if control lever is not in neutral gate).
2. Loosen the nut (A, figure 26) so that transmission control rod (B) is free to move.
3. Shift the ground speed control lever firmly into the neutral gate on dashboard. Retighten nut.

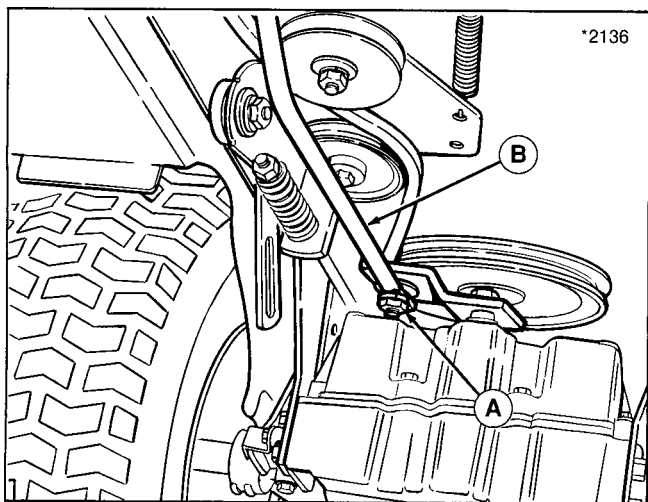


Figure 26.

- A. Nut
- B. Transmission Control Rod

36

MOWER BLADE STOPPING CHECK

Mower blades and mower drive belt should come to a complete stop within five seconds after electric PTO switch is turned off.

With tractor in neutral, PTO switch disengaged, and operator in seat, start tractor engine. Look over left hand footrest at mower drive belt. Engage PTO switch and wait several seconds. Disengage PTO switch and check time until mower drive belt stops.

If mower drive belt does not stop within five seconds, perform PTO adjustment, page 38. Repeat above test and note belt stopping time. If belt still does not stop within five seconds, see your dealer to service electric clutch.

BRAKE ADJUSTMENT

1. Place the transmission in gear and release the parking brake. Move the brake rod (A, figure 27) back and forth to be sure there is no tension on the brake pads.
2. Push the cam lever (B) forward (toward front of tractor) to take out any slack. The gap between lever (B) and stop (C) should be 1/8 inch (0.3 mm). Use a feeler gauge to measure. If not 1/8 inch, perform set 3.
3. Loosen or tighten the adjustment nut (D) to achieve correct dimension.
4. Engage the clutch/brake pedal.
5. Spring should be compressed to 3-1/16" long ($\pm 1/16$ "). Turn adjustment nut (E) as necessary for correct spring length.

(continued)

6. With spring compressed to 3-1/16" dimension, adjust set collar 1/4" ($\pm 1/32$ ") from brake arm assy.

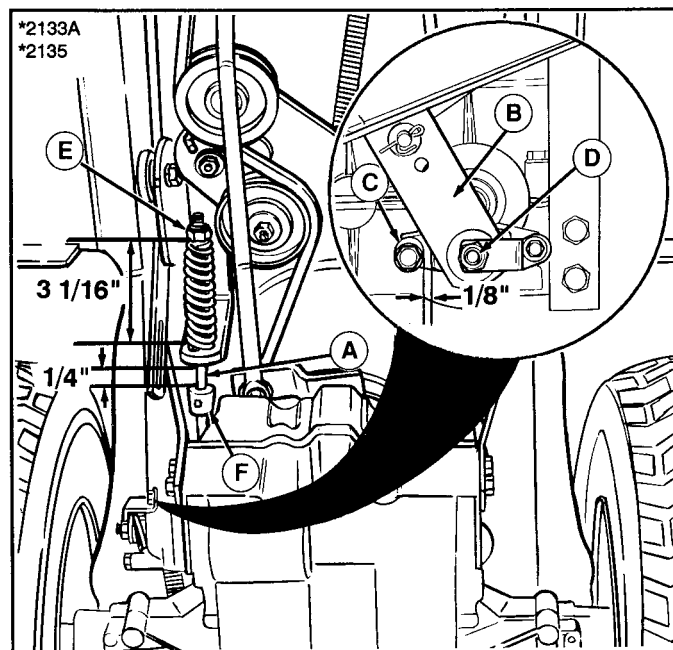


Figure 27.
A. Brake Rod
B. Brake Cam Lever
C. Stop

D. Adjustment Nut
E. Spring Adjustment Nut
F. Set Collar

STEERING GEAR ADJUSTMENT

If there is excessive slack in the steering system, the steering gear can be reindexed to the steering shaft gear. Refer to figure 28. Loosen two capscrews (A, figure 28) and push bracket so that gear teeth are closely meshed. Retighten nuts after adjustment.

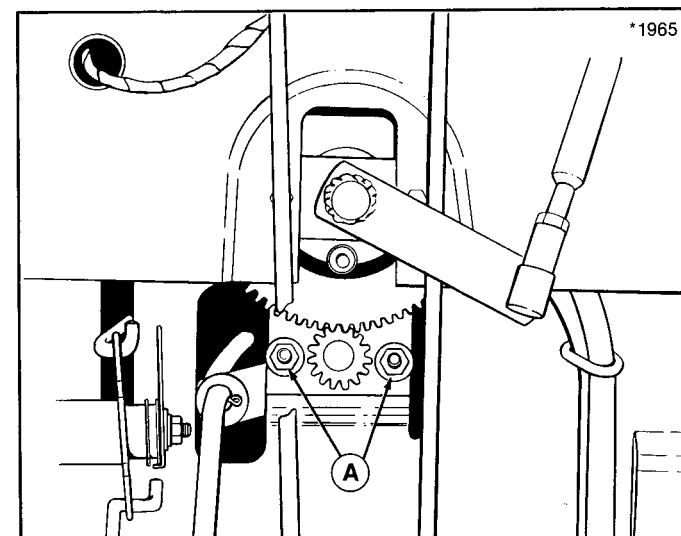


Figure 28. Steering Gear Adjustment
A. Capscrews

PTO CLUTCH ADJUSTMENT

1. Make sure engine is off and key removed.
2. Use a 0.010 to 0.012 feeler gauge to check the electric clutch at three places (A, figure 29). Insert the gauge. There should be a slight resistance as gauge is moved in and out of slot. If tight, or loose, go to step 3.
3. Loosen or tighten one of the nut (B) to adjust one of the three places. Loosen nut to increase gap; tighten to decrease gap.
4. After adjusting a nut, check the other two with feeler gauge. Adjustment at one location will change adjustment at other two locations. Make sure all three locations have proper adjustment.

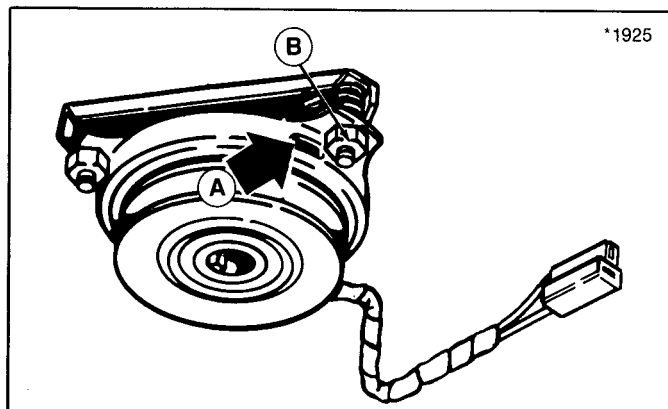















Figure 29. PTO Clutch Adjustment

- A. Slot**
- B. Adjustment Nut**

International Symbols

	Fast		Lights		Parking Brake
	Slow		Oil Pressure		Choke
	Operator Present Switch (Seat)		Forward		Ignition On
	PTO Disengaged		Reverse		Engine Running
	PTO Engaged				

Specifications

ENGINE:

Make Kohler
Model Command™
Horsepower 12.5 HP @ 3600 rpm (10.25 kw)
Cylinder 1
Bore 3.43 In. (87 mm)
Stroke 2.64 In. (67 mm)
Displacement 24.3 Cu. In. (398 cc)
Construction Overhead Valve, Cast Iron Sleeves, Aluminum Crankcase
Electrical System 12 Volt, 15 Amp Alternator Regulated Battery: 12 Volt, 340 Cold Cranking Amps, 41 min. Reserve Capacity,
Ignition High Energy Electronic Ignition
Air Cleaner Ducted Paper Cartridge and Foam Precleaner
Lubrication Full Pressure Lube w/ Oil Filter
Oil Capacity 4.0 Pints w/Filter (1.9 L)
Fuel Tank Material: Non-Corrosive Polyethylene Fuel Tank Gauge Built Into Filler Cap Capacity: 4 Gallons (15.1 L)
Muffler Quiet Compact, Low Back Pressure

TRANSMISSION:

Type Spur Gear
Material Gear: Heat Treated Shaft: Hardened and Ground Bearings: Needle Roller, Sealed Ball and Bushings

Lubrication Bentonite Grease
Speeds Five Forward, One Reverse
Speeds
@ 3400 RPM

1st: 1.1 MPH (1.8 km/h)
2nd: 2.2 MPH (3.5 km/h)
3rd: 3.4 MPH (5.5 km/h)
4th: 4.2 MPH (6.8 km/h)
5th: 5.1 MPH (8.2 km/h)
Reverse: 2.4 MPH (3.9 km/h)
Bevel Gear Type

Differential

CHASSIS:

Frame

Heavy Gauge Steel Channel.
Power Take-Off Point: Front
Engine Mounting: Above Front Axle
Pivot Point Location: Front Axle

Rear Wheels

Tire Size: 18 x 8.50-8 Turf Type
Pneumatic Inflation Pressure:
6-8 psi (41-55 kPa)

Axle

1-3/4" x 3" 12 Ga. Fabricated Tube

Front Wheels

Tire Size: 15 x 6.00-6
Pneumatic Inflation Pressure:
12-15 psi (82-103 kPa)

Accessibility

Seat

Hood Tips Forward
Type: Bucket, High Back, w/Adjustable
Spring Suspension
Adjustable to Suit Different Size Operators
Inside Rear Tire: 16 In. (40.6 cm)

Turning Radius

Specifications

CONTROLS:

Steering	Full Circle Steering Wheel System: Gear and Sector
Clutch/ Brake Pedal	Location: Right Front Combination Clutch/Brake/Parking Brake Pedal Standard Equipment
Location	Mower Lift Lever: Right Side, Lower Dash Tower PTO Clutch: Electric, dash mounted Shift Lever: dash mounted Ignition Key Switch: on dash panel Throttle Lever and Choke Lever: on dash panel Light Switch: on dash panel Separate Indicator Lights for Safety Interlock Switch: Operator Present, Transmission Neutral, PTO Disengaged, Low Oil Pressure Warning Light

DIMENSIONS:

Overall Length	67 In. (170.2 cm)
Overall Width	34.5 In. (87.6 cm)
Height	To Top of Steering Wheel: 39 In. (99 cm) To Top of Engine Cover: 33 In. (84 cm)
Wheel Base	48 In. (121.9 cm)
Weight (approx.) without mower	Net: 440 lbs. (200 kg) Shipping: 560 lbs. (254.5 kg)

MOWER:

Effective Cutting Width	38" Mower - 38 In. (96.5 cm)
Overall Width with Deflector	38" Mower - 49.5 In. (125.7 cm)
Weight	38" Mower - 100 lbs. (45 kg)
Variable Cutting Ht.	1.0 - 3.6 In. (2.5 to 9.1 cm)
Blade Arrangement	Two Blades
Mower Drive	V-Belt from Tractor PTO Pulley
Spindle Bearings	Lubricated and Sealed Ball Bearings

Common Replacement Parts

Listed below are part numbers for the more common replacement parts. Use the order form at the back of the manual to order a complete, illustrated parts manual. Only genuine Simplicity replacement parts will assure optimum performance and safety. Do not attempt repairs or maintenance unless proper procedures and safety precautions are followed. For assistance in any area, see your dealer.

REPLACEMENT PARTS

QTY. PER UNIT	DESCRIPTION	PART NUMBER
	Mower Blades	
1	R.H., 38" Deck	1704101
1	L.H., 38" Deck	1704856
	Mower Belts	
1	38" Mower Drive	1666698
1	Tractor Drive Belt	1703836
1	Safety Clip - Mower Lift	176012
1	Key	1704348
2	Interlock Switch, Neutral	1701521
1	Interlock Switch, Seat	1704379
1	Battery	1685215
1	Solenoid	1685290
1	Switch, Electric Clutch	1703798
1	Switch, Oil Pressure (On Engine)	1703956
1	Headlamp Bulb	1677371

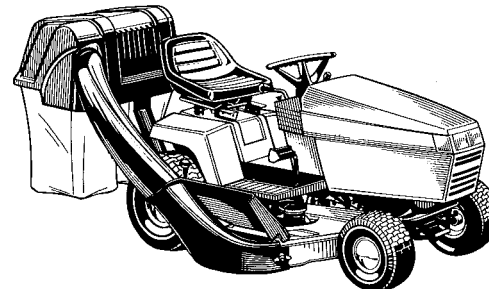
MAINTENANCE ITEMS

DESCRIPTION	PART NUMBER
• Simplicity Engine Oils (Your dealer has 1 qt. container)	
SAE 5W-30 SF/CD (Cold Weather 30° & under)	Case of 12 Qts. 1685576
SAE 15W40 SF/CD (14° and above)	Case of 12 Qts. 1685554
• Touch-Up Paint	
Deep Orange Spray Paint, 13 Oz. Can	1685611
Deep Orange Spray Paint (Case of 12 - 13 Oz. Cans)	1685614
Deep Orange Paint, 1 Qt.	1685612
White Spray Paint, 13 Oz. Can	103049
Touch-Up Daubers (6 deep orange & 6 white - see your dealer for individual daubers.)	1685613
• Grease Gun Kit w/8 Oz. Grease Tube	1685510
Replacement 8 Oz. Grease Tube for above	103077
• Designer Seat Cover	1685541
• Tire Sealant - Stops Tire Leaks. Prevents Flats.	
11 Oz. Tube	1685523
• Gas Can - No Tip Design. Durable Polyethylene.	
1 Gallon	1685587
2½ Gallon	1685555
5¼ Gallon	1685556

Optional Attachments and Accessories

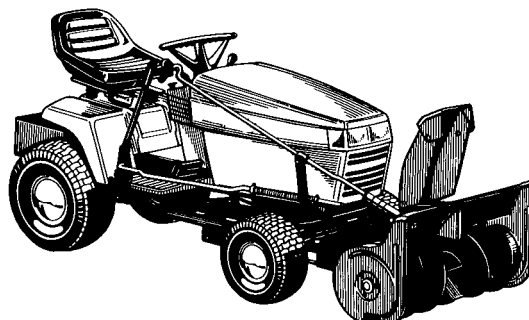
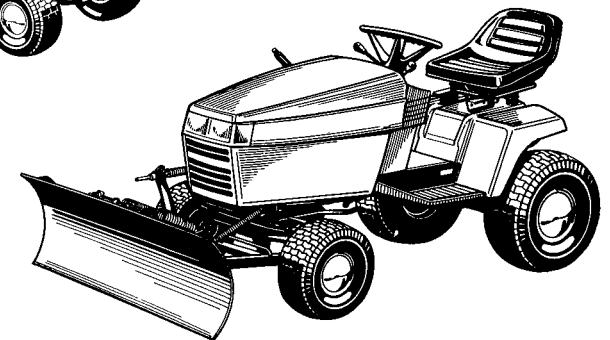
See your dealer to purchase these items.

Turbo Clean Sweep Twin Catcher
Clean Sweep Twin Catcher
Turbo Quad Bagger™
Dethatcher
Dump Cart
36" & 42" Snowthrower
42" Dozer Blade
Snow Cab
Front Counterweights
Rear Wheel Weights
Weight/Tote Box
Hubcaps
Tire Chains



Clean Sweep Twin Bag Collector
- Collect grass clippings, thatch, and leaves with our blade-driven vacuum collector

42" Snow Plow/Dozer Blade -
For snow removal and light dozing of dirt, gravel, etc. Now with spring-assisted lift.



36" & 42" Snowthrower -
Efficient single stage operation to handle the heaviest of snows. Now with spring assisted lift.

Parts Manual Available

Simplicity Parts Manuals are fully illustrated. All of the assemblies are shown in exploded views which show the relationship of the parts and how they go together. Important assembly notes and special torque values are included in the illustrations. For standard hardware, a torque specification chart is included.

To order, enclose this form with a check or money order made out to SIMPLICITY. Address the envelope to:

Simplicity Manufacturing, Inc.
Attn: Cashier
500 N. Spring Street
P.O. Box 997
Port Washington, WI 530740997

***Extend Equipment Life -
Use Only Genuine
Simplicity Repair Parts***

- I would like a Parts Manual (TP-1194) for my Broadmoor/LT Series lawn tractor and mower. Enclosed is a check or money order for \$5.50.
- I would like a Parts Manual (TP-1157) for my Broadmoor/LT Series Attachments and Accessories. Enclosed is check or money order for \$5.50.
- Please include \$1.50 for shipping and handling.

Print clearly. This will be your mailing label.
Allow four to six weeks for delivery.

Name _____

Street or RFD _____

City, State, Zip _____

Tractor Mfg. No. _____

CUT HERE

Notes

SIMPLICITY MANUFACTURING, INC.
500 N. Spring St., P.O. Box 997
Port Washington, WI USA 53074-0997

FORM 1705475-02
PRINTED IN U.S.A.
©1992 5/92

Free Manuals Download Website

<http://myh66.com>

<http://usermanuals.us>

<http://www.somanuals.com>

<http://www.4manuals.cc>

<http://www.manual-lib.com>

<http://www.404manual.com>

<http://www.luxmanual.com>

<http://aubethermostatmanual.com>

Golf course search by state

<http://golfingnear.com>

Email search by domain

<http://emailbydomain.com>

Auto manuals search

<http://auto.somanuals.com>

TV manuals search

<http://tv.somanuals.com>