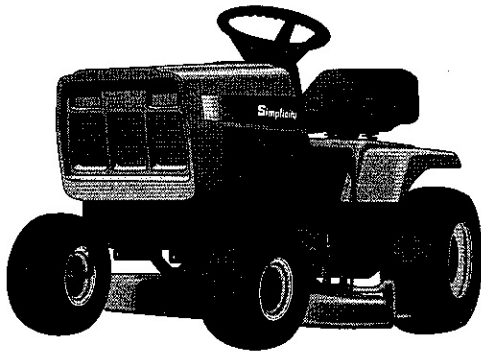


# 12RTG SERIES

**12RTG**  
Mfg. No. 1692049  
Mfg. No. 1692094

**36" Mower**  
Mfg. No. 1691419



# PARTS MANUAL

**Product Identification:**

When ordering parts, keep your products serial number and manufacturer's number in mind. Variations may occur in a part between early & later model products, causing the product serial number to be listed in the parts description whenever these variations occur. Record your I.D. numbers here for quick, future reference.

Product Mfg. No. \_\_\_\_\_ S/N \_\_\_\_\_ Mower Mfg. No. \_\_\_\_\_ S/N \_\_\_\_\_

**Attention:**

Standard torques appear in a chart at the end of the manual, while important individual torques are given on specific parts drawings. CRITICAL and MAJOR notations point out important facts or instructions which relate to personal safety and proper machine operation. Any CRITICAL notation **C** which may appear in this book, pinpoints characteristics which, if not properly followed, can create a safety hazard. Any MAJOR notation **M** which may appear in this book, marks characteristics which, if not properly followed, may result in operating failure, shortened product life, or greatly reduced quality of the unit. For your convenience, assembly notes are included in parts drawings to assist in repair and assembly of unit.

---

## SIMPLICITY BRAND PRODUCTS

### OILS - SPECIFICALLY BLENDED OF HIGH QUALITY BASE OILS & ADDITIVES.

**Special Worm Gear Oil:** Required for protection of brass gears and mating parts.

- Cold Weather Worm Gear Oil for snowthrowers with worm gear drive. 8 Oz. Bottle, Part #1704636, Case of 12-8 Oz. Bottles, Part #1685406.

**Multi-Purpose Hydraulic/Transmission Oil** for use in most hydraulic applications, and hydrostatic transmissions. Specific Simplicity applications: All hydrostatic transmissions, all bevel gear cases. Case of 12 Quarts, Part #1685516, 2-1/2 Gallon Container, Part #1685538.

**SAE 5W-30 SF/CD Cold Weather Engine Oil** for use in all four cycle and diesel engines at 30° temp. and under. Case of 12 quarts, Part #1685576.

**SAE 15W-40 SF/CD Engine Oil** for gas and diesel engines, warm weather; see engine manufacturer recommendations. Case of 12 quarts, Part #1685554.

**SAE 30W SG/CC Detergent Engine Oil** for use in four cycle lawn and garden engines at operating temp. of 32° and above. Also recommended for use in hydrostatic transmissions where 30W oil is specified. Case of 12 quarts, Part #1685659.

**DEGREASER, DEGRIMER, PARTS CLEANER** removes grease, oil, dirt and grime without harming paint or decals.

1 Quart w/Trigger Spray	1685619
1 Gallon Bottle	1685621
Extension Sprayer for Gallon Bottle	1685623

**TOUCH-UP PAINT** keeps equipment in showroom condition.

Spray Cans	Quarts	Daubers-12 Per Ctn.
<i>For Products Built After 8/1/89.</i>		
"Deep Orange" 13 Oz. Can 1685611 Case 12 Cans 1685614	1685612	1685616 Mixed 6 Deep Or., 6 White 1/2 Oz. Bottles
"Gloss Black" 13 Oz. Can 1685639 Case 12 Cans 1685640	1685641	N/A
"White" 13 Oz. Can 103049 Case 12 Cans 1685178	1685032	See Above

*Consult decal on equipment for proper color.*

---

## AVAILABLE ACCESSORIES:

**DESIGNER SEAT COVERS** are double stitched, easy care vinyl. Keeps new seats new, makes worn seats look new.

**Small Seat Cover w/Pocket, Part #1685540.** Fits all Rear Engine Riders, FC, RT Series Tractors.

**Large Seat Cover w/Pocket, Part #1685541.** Fits all 12.5 & 16 LT and GT Series Tractors.

**Seat Cover, Part #1685577.** Fits all 18 & 20 GTH Tractors.

**PNEUMATIC TIRE SEAL** seals all leaks including bead leaks and punctures up to 3/16 inch diameters. Prevents flats for tread life of tire. Available in following amounts.

Case of 12 -11 Oz. Tubes	1685537
Case of 24 -11 Oz. Tubes	1685525
5 Gallon Pail	1685527

**HOURLY METER KIT, Part #1685510.**

**GREASE GUN KIT** has 12" flexible hose to get into tight spots with ease. Kit contains: gun and 1-8 Oz. tube of grease. Part #1685510. For replacement tube, order Part #103077.

**CHROME "Moon" Hubcaps**

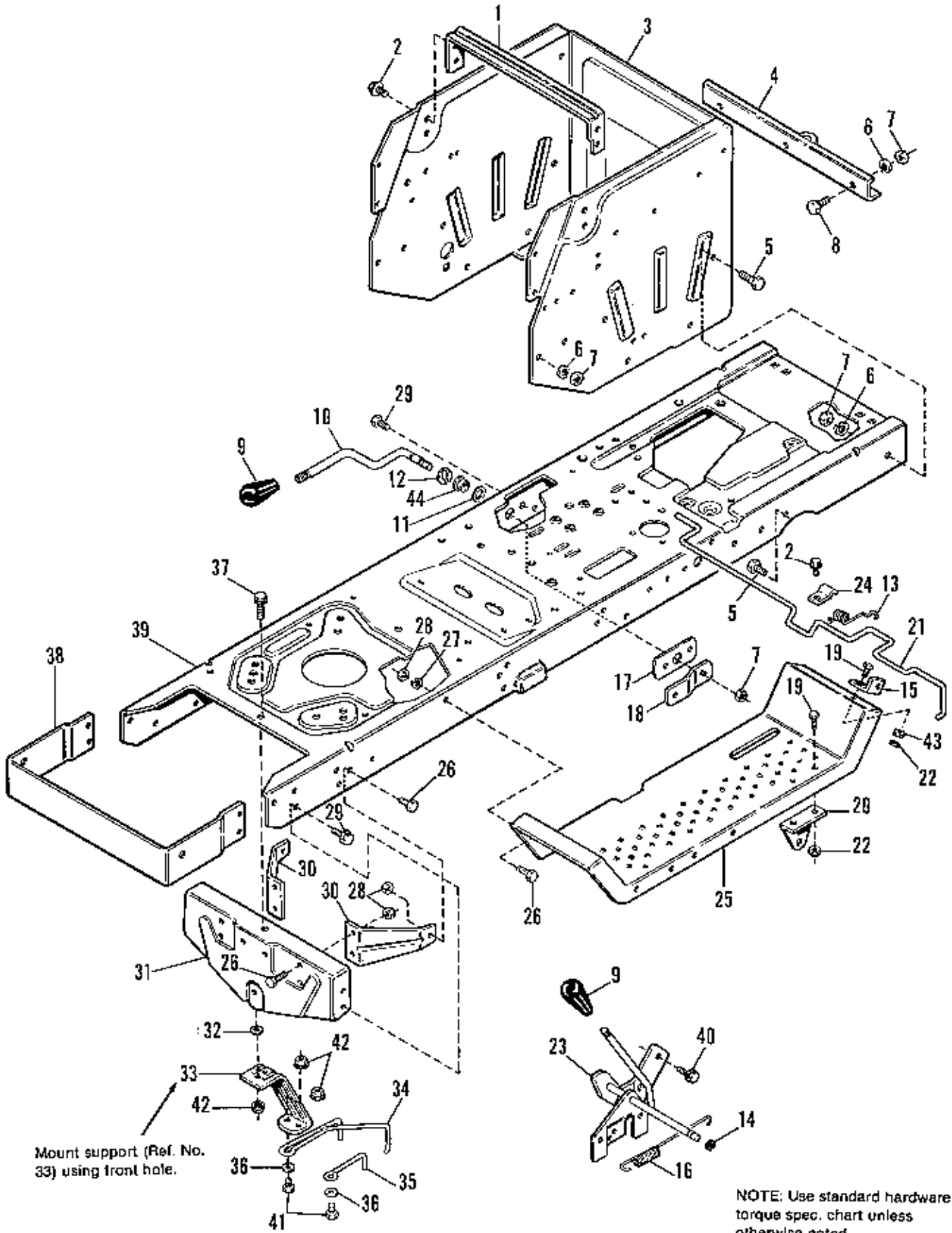
4" Rim	163114
6" Rim	156210
8" Rim	156211
10" Rim	1667782
12" Rim	154505

**Extend Equipment Life - Use Only Genuine Simplicity Parts & Accessories  
Available at Your Local Simplicity Dealer**

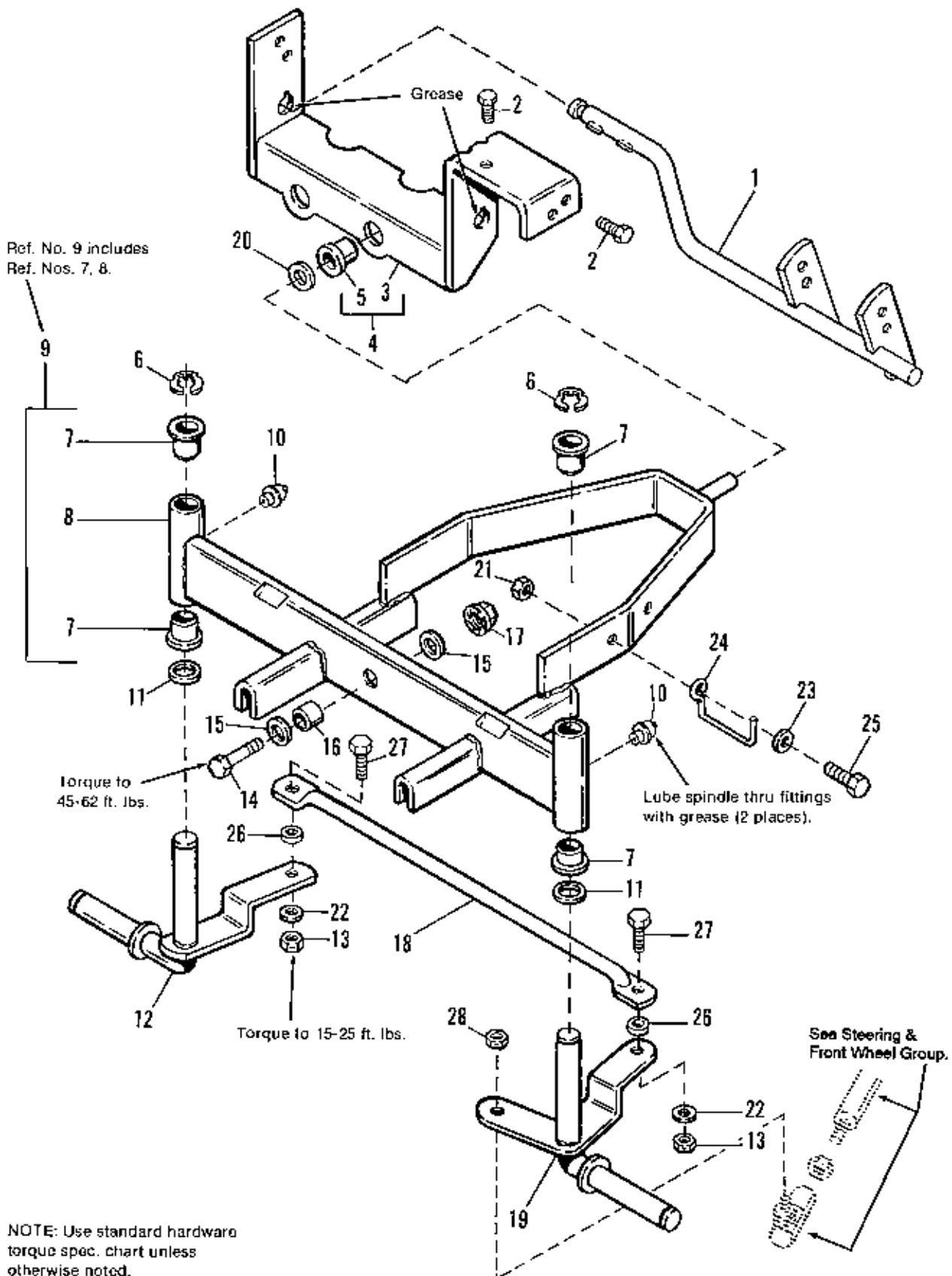
# Table of Contents

<b>FRAME GROUP</b> .....	<b>2</b>
Frame, Wrapper; Draw Bar; Footrest; Supports; Lift Handle; PTO Assy.; Up-Stops; Latch Assy.	
<b>FRONT AXLE GROUP</b> .....	<b>4</b>
Brake Lever Assy.; Support Assy.; Axle Assy.; Spindles; Tie Rod; Grease Fittings	
<b>STEERING &amp; FRONT WHEEL GROUP</b> .....	<b>6</b>
Steering Plate; Steering Wheel; Ball Joint Assy.; Drag Link Assy.; Wheel & Tire Assy.; Hub Caps	
<b>ENGINE GROUP</b> .....	<b>8</b>
Choke Control; Engine; Engine Pulley Assy.; Muffler Extension Assy.; Oil Drain Pipe	
<b>REAR TIRES &amp; DRIVE GROUP (1692049 only)</b> .....	<b>10</b>
Transmission Support; "V" Belt; Shift Rod; Wheel & Tire Assy.	
<b>REAR TIRES &amp; DRIVE GROUP (1692094 only)</b> .....	<b>12</b>
Transmission Support; "V" Belt; Shift Rod; Wheel & Tire Assy.	
<b>BRAKE &amp; CLUTCH</b> .....	<b>14</b>
Clutch Arm Assy.; Idler Pulley; Springs & Guides; Brake Rod & Guide; Foot Pedal	
<b>ELECTRICAL GROUP</b> .....	<b>16</b>
Ignition Switch; Wiring Harness; Solenoid; Circuit Breaker; Battery, DSI Interlock Module	
<b>HOOD, GRILLE &amp; DASH GROUP</b> .....	<b>18</b>
Dash Board, Fuel Tank & Hose, Grille, Hood & Side Panels	
<b>SEAT &amp; DECK GROUP</b> .....	<b>20</b>
Seat; Springs; Hinges; Supports; Deck	
<b>36" MOWER, DECK &amp; ARBOR GROUP</b> .....	<b>22</b>
Pulley Assy.; Shields; Bearings; Deflector; Shafts; Baffle	
<b>36" CLUTCH &amp; ROLLER SUPPORT GROUP</b> .....	<b>24</b>
Brake Lever; Support & Rod Assy.; Quadrant Assy.	
<b>36" ROLLER &amp; MISC. GROUP</b> .....	<b>26</b>
"V" Belt; Lift Chain; Control Lever; PTO Rod; Lift Rod; Clevis	
<b>PEERLESS TRANSAXLE MODEL 801-019 (used on 1692049 tractor)</b> .....	<b>28</b>
<b>PEERLESS TRANSAXLE MODEL 930-039 (used on 1692094 tractor)</b> .....	<b>32</b>
<b>DECAL GROUP</b> .....	<b>36</b>
<b>TORQUE SPECIFICATIONS</b> .....	<b>Inside Back Cover</b>

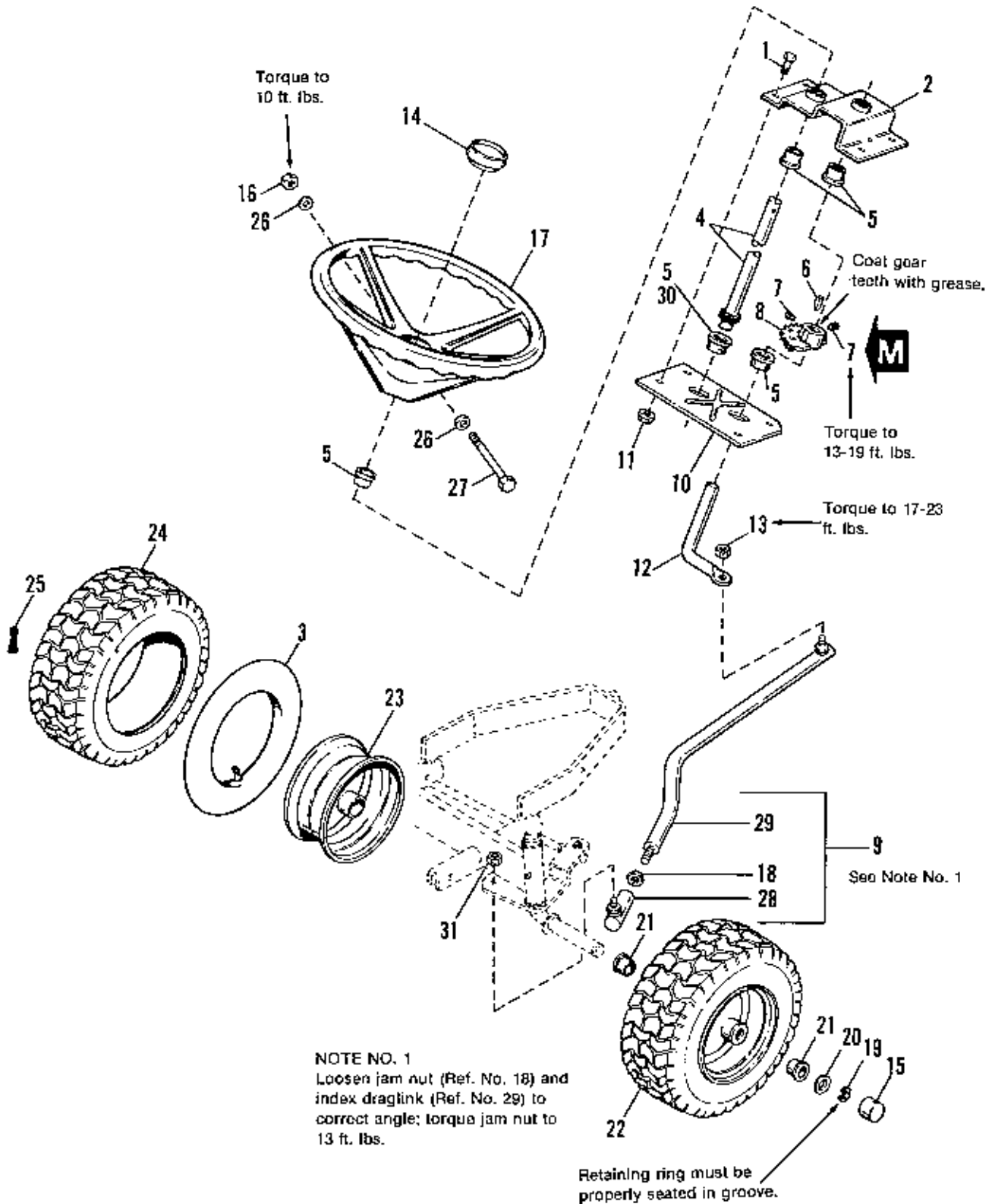
\*Early/Later Models are determined by identifying descriptions on parts list pages.



Ref. No.	Part No.	Qty.	Description
1	1654707	1	BRACE, Seat
2	1924856	6	SCREW, Taplite, 5/16-18 x 1/2
3	1702627	1	SUPPORT, Axle Wrapper
4	1655591	1	BAR, Draw
5	1921210	6	CAPSCREW, Hex, 3/8-16 x 1
6	1916985	9	LOCKWASHER, 3/8
7	1916950	10	NUT, Hex, 3/8-16
8	921965	3	CAPSCREW, Hex, 3/8-16 x 3/4
9	172038	2	KNOB, Handle
10	1685412	1	HANDLE, Lift
11	960171	1	WASHER
12	1703805	1	KLIPRING, 1/2
13	1701314	1	SPRING, Torsion
14	158399	2	RING, Retaining
15	1700670	1	BRACKET, Seat Latch
16	1673911	1	SPRING, Extension
17	1656754	1	BAR, Support
18	1656755	1	ARM, Support
19	1921959	3	CAPSCREW, Hex, 1/4-20 x 5/8
20	1654783	1	SUPPORT, Clutch
21	1701268	1	ROD, Latch
22	1916622	3	NUT, Hex, 1/4-20
23	1702452	1	HANDLE ASSY., PTO Clutch
24	1678398	2	CLIP
25	1679938	2	FOOTREST
26	1921332	14	CAPSCREW, Hex, 5/16-18 x 3/4
27	1917356	14	LOCKWASHER, 5/16
28	1917372	14	NUT, Hex, Full, 5/16-18 (Qty. 18 on 8 HP)
29	1664847	6	SCREW, Taplite, 5/16-18 x 3/4
30	1655076	2	BRACE, Axle Support
31	1664034	1	SUPPORT, Axle
32	1919381	1	WASHER, Plain, 11/32-1 x 10 Ga.
33	1665803	1	SUPPORT
34	1672118	1	STOP, Belt
35	1665812	1	STOP, Belt
36	1919326	2	WASHER, 11/32
37	1930595	1	CAPSCREW, Hex Flange Hd., 5/16-18 x 1-1/4
38	1656791	1	SUPPORT
39	1702626	1	FRAME
40	1925003	2	SCREW, Taplite, 1/4-20 x 1/2
41	1923325	2	CAPSCREW, Hex, 5/16-18 x 7/8
42	1927557	3	LOCKNUT, Hex, Flange Whiz, 5/16-18
43	1921319	1	WASHER
44	1704505	1	BUSHING
12	1703805	1	KLIPRING, 1/2



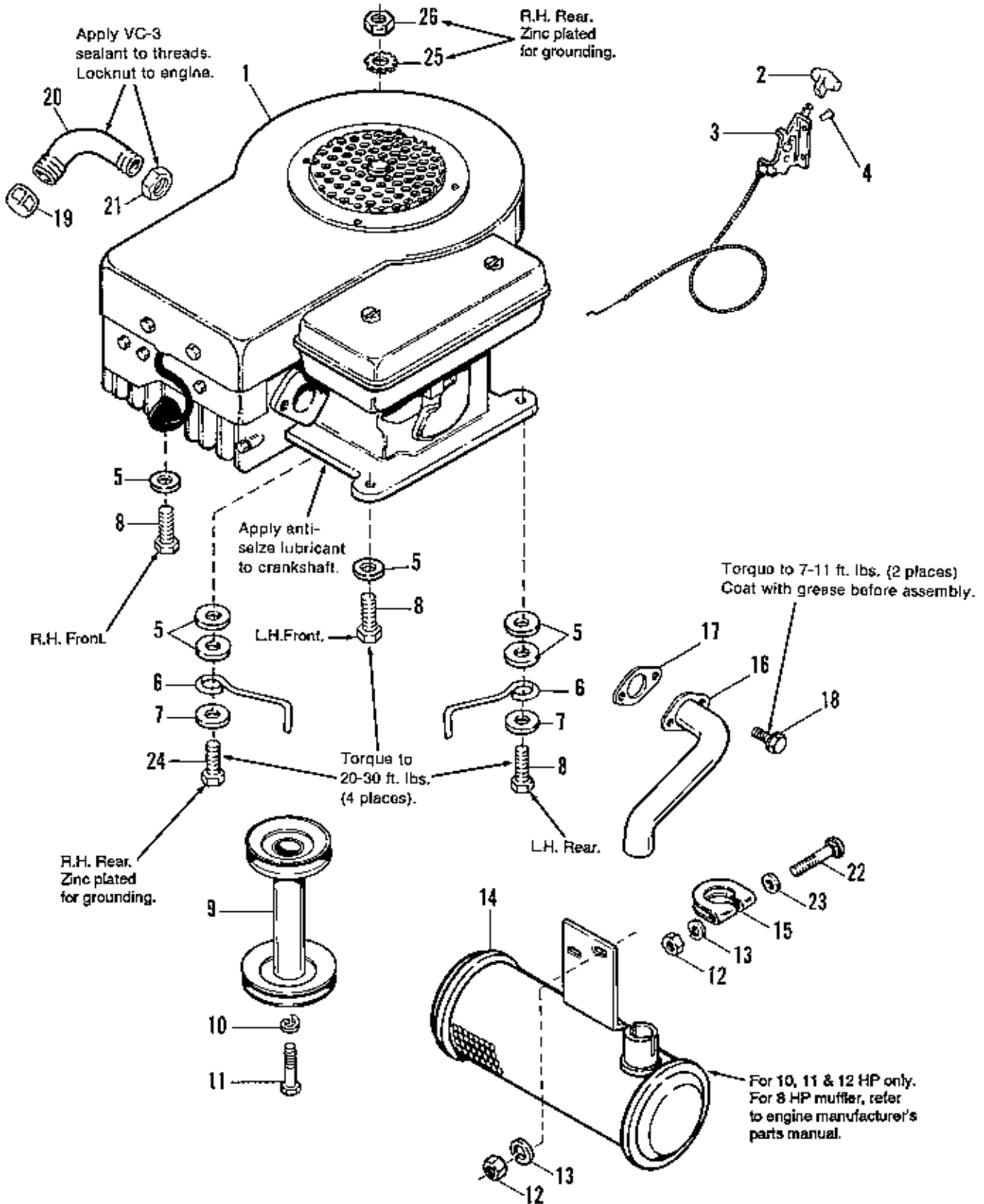
Ref. No.	Part No.	Qty.	Description
1	1665864	1	LEVER ASSY., Brake
2	1664847	5	SCREW, Taptite, 5/16-18 x 3/4
3		1	SUPPORT ASSY., Axle, Rear (See Ref. No. 4)
4	1665601	1	SUPPORT ASSY., Rear (Incl. Ref. No. 5)
5	1663114	1	BUSHING
6	1611710	2	KLIPRING, Ext., 3/4
7	176440	4	BUSHING
8		1	AXLE SUB ASSY. (See Ref. No. 9)
9	1611708	1	AXLE ASSY., Front (Incl. Ref. Nos. 7 & 8)
10	921133	2	FITTING, Lube, Drive Type
11	1960114	2	WASHER
12	1611703	1	SPINDLE ASSY., R.H. (12 HP)
13	1930651	2	LOCKNUT, Hex, 3/8-16
14	1921525	1	CAPSCREW, Hex, 1/2-13 x 1-3/4 (Gr. 8)
15	1924361	2	WASHER
16	1671260	1	SPACER
17	1960362	1	LOCKNUT, Hex Flange Lock, 1/2-13
18	1611715	1	TIE ROD ASSY.
19	1705918	1	SPINDLE ASSY., L.H.
20	1960020	1	WASHER
21	1917372	1	NUT, Hex, 5/16-18
22	1924940	2	WASHER, 3/8
23	1919326	1	WASHER
24	1668147	1	GUIDE, Drag Link
25	1921333	1	CAPSCREW, Hex Hd., 5/16-18 x 1
26	1611705	2	SPACER
27	1921210	2	CAPSCREW, 3/8-16 x 1
28	1930245	1	LOCKNUT, Center, 1/2-20





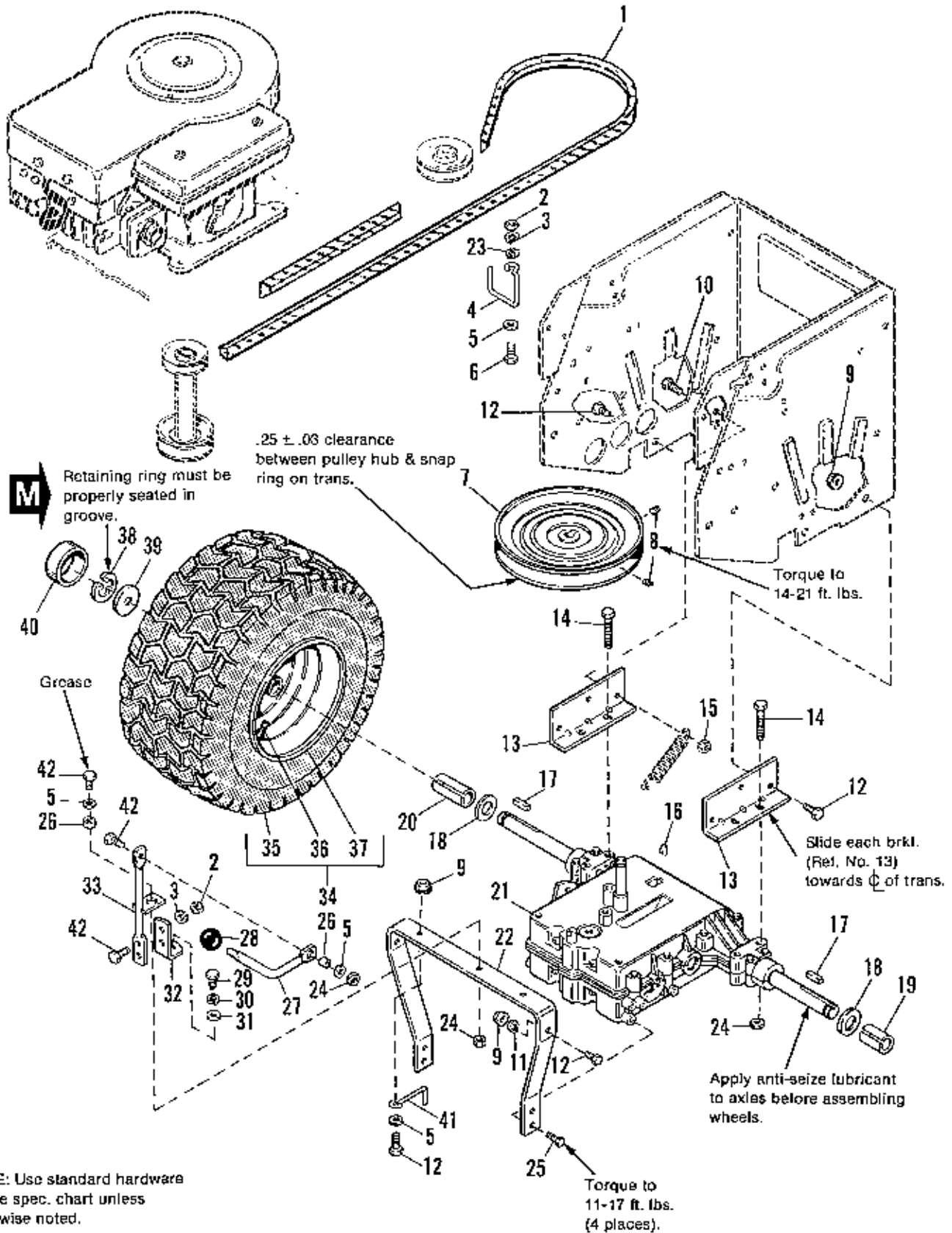
Ref. No.	Part No.	Qty.	Description
1	1921332	4	CAPSCREW, 5/16-18 x 3/4
2	1667513	1	TOP PLATE, Steering
3	1664090	1	TUBE (For Service Only)
4	1701266	1	SHAFT ASSY., Steering
5	176440	4	BUSHING
6	1667622	1	KEY
7	1928721	2	SETSCREW, 5/16-18 x 1/2
8	1675388	1	GEAR, Steering
9	1685432	1	LINK ASSY., Drag (Incl. Ref. Nos. 18, 28 & 29)
10	1652743	1	BASE PLATE, Steering
11	1935048	4	LOCKNUT, Flange, Whiz, 5/16-18
12	1674076	1	ROD, Steering
13	1668927	1	LOCKNUT, Center, 3/8-24
14	1657017	1	CAP, Steering Wheel
15	1673333	2	CAP, Hub, Threaded
16	1923362	1	LOCKNUT, Hex, 5/16-18
17	1670989	1	WHEEL, Steering
18	1919262	1	NUT, Jam, 1/2-20
19	1611710	2	KLIPRING, Ext., 3/4
20	960202	2	WASHER
21	1679713	4	BEARING, 1.38 O.D.
22	1705376	2	WHEEL & TIRE ASSY., 15 x 6.00-6 (Turf-Saver) (Includes Ref. Nos. 21, 23, 24, 25)
23	1705377	2	WHEEL, w/Bearings, 15 x 6.00
24	1653618	2	TIRE (Carlisle) 15 x 6.00-6 Turf-Saver
25	172353	2	STEM, Valve
26	1919326	2	WASHER, Plain, 5/16
27	1925690	1	BOLT, Hex, 5/16-18 x 3-1/2
28	1705437	1	BALL JOINT ASSY., 1/2-20 Thrd. Stud.
29		1	LINK, Drag (Not Serviced Separately. See Ref. No. 9)
30	1671737	1	BUSHING
31	1930245	1	LOCKNUT, Center, 1/2-20

**NOTE:** Simplicity Pneumatic Tire Sealant can be used in place of tubes to stop rim leaks and fill small punctures. See inside front cover for part numbers of tubes and cases.



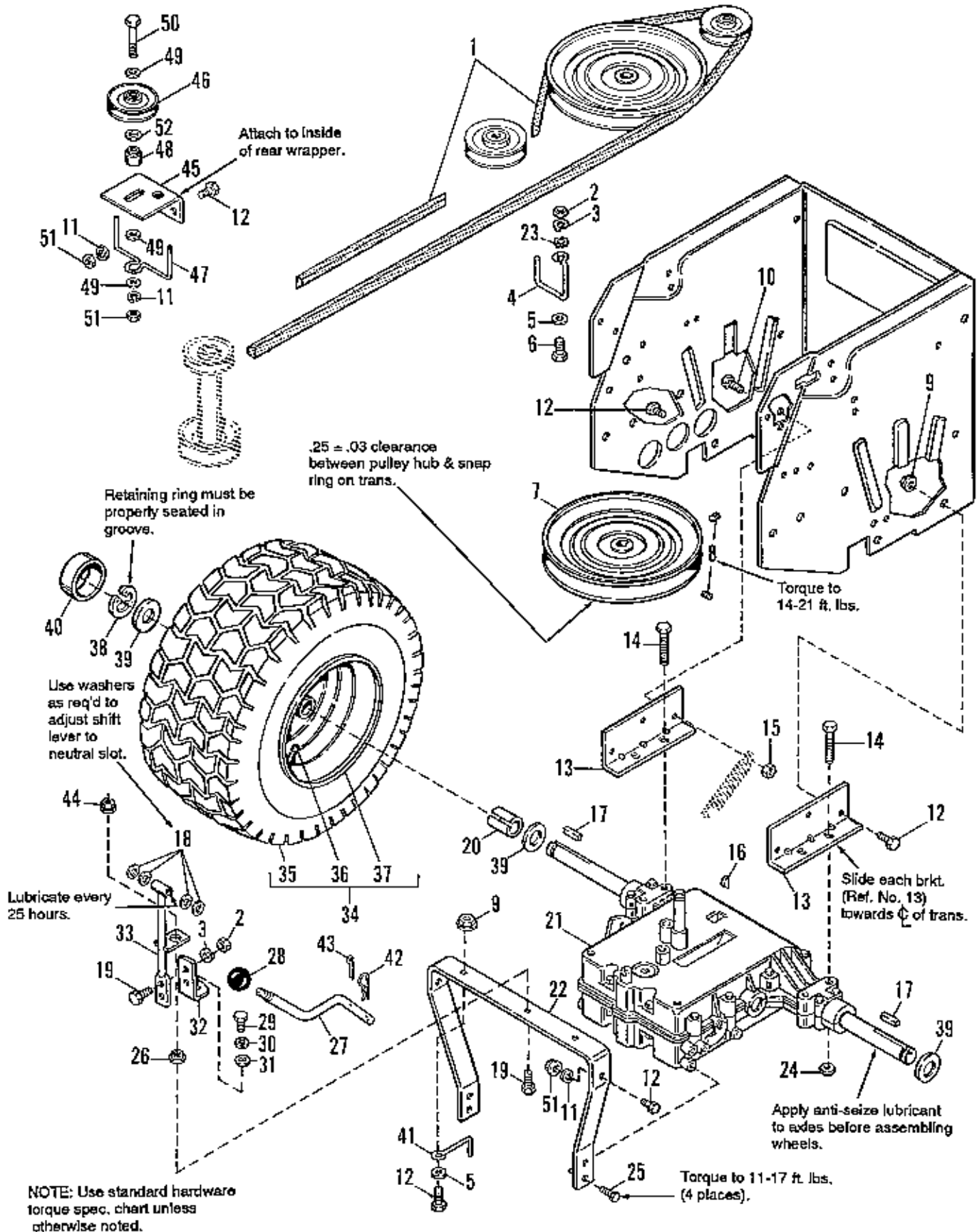
NOTE: Use standard hardware torque spec. chart unless otherwise noted.

Ref. No.	Part No.	Qty.	Description
1		1	ENGINE, 12.5 HP
2	1656099	1	KNOB, Throttle
3	1707388	1	CONTROL ASSY., Throttle
4	960241	2	RIVET, Pop, 1/4
5	1924356	6	WASHER, Plain, 3/8
6	172844	2	STOP, Belt
7	1924940	2	WASHER, 13/32
8	1930598	3	SCREW, Tapite, 3/8-16 x 1-1/2
9	1674163	1	PULLEY ASSY., Engine
10	1918199	1	LOCKWASHER, 7/16
11	1928038	1	CAPSCREW, Hex, 7/16-20 x 1-1/4
12	1917372	3	NUT, Hex, 5/16-18 (Qty. 2 on 8 HP)
13	1917356	5	LOCKWASHER, 5/16 (Qty. 2 on 8 HP)
14	1655848	1	MUFFLER
15	1676183	1	CLAMP
16	1655860	1	PIPE, Exhaust
17	1650670	1	GASKET, Muffler
18	1921332	2	SCREW, Whizlock, 5/16-18 x 3/4
19	1667346	1	CAP, Pipe
20	1658032	1	PIPE, Oil Drain (Incl. Ref. Nos. 19 & 21)
21	1932849	1	LOCKNUT
22	1931342	1	BOLT, Carriage 5/16-18 x 2-3/4 Gr. 5
23	1919326	1	WASHER
24	960361	1	SCREW, Tapite, 3/8-16 x 2, Zinc Pltd.
25	920427	1	LOCKWASHER, Ext., 3/8, Zinc Pltd.
26	916950	1	NUT, Hex Jam Lock, 3/8-16, Zinc Pltd.



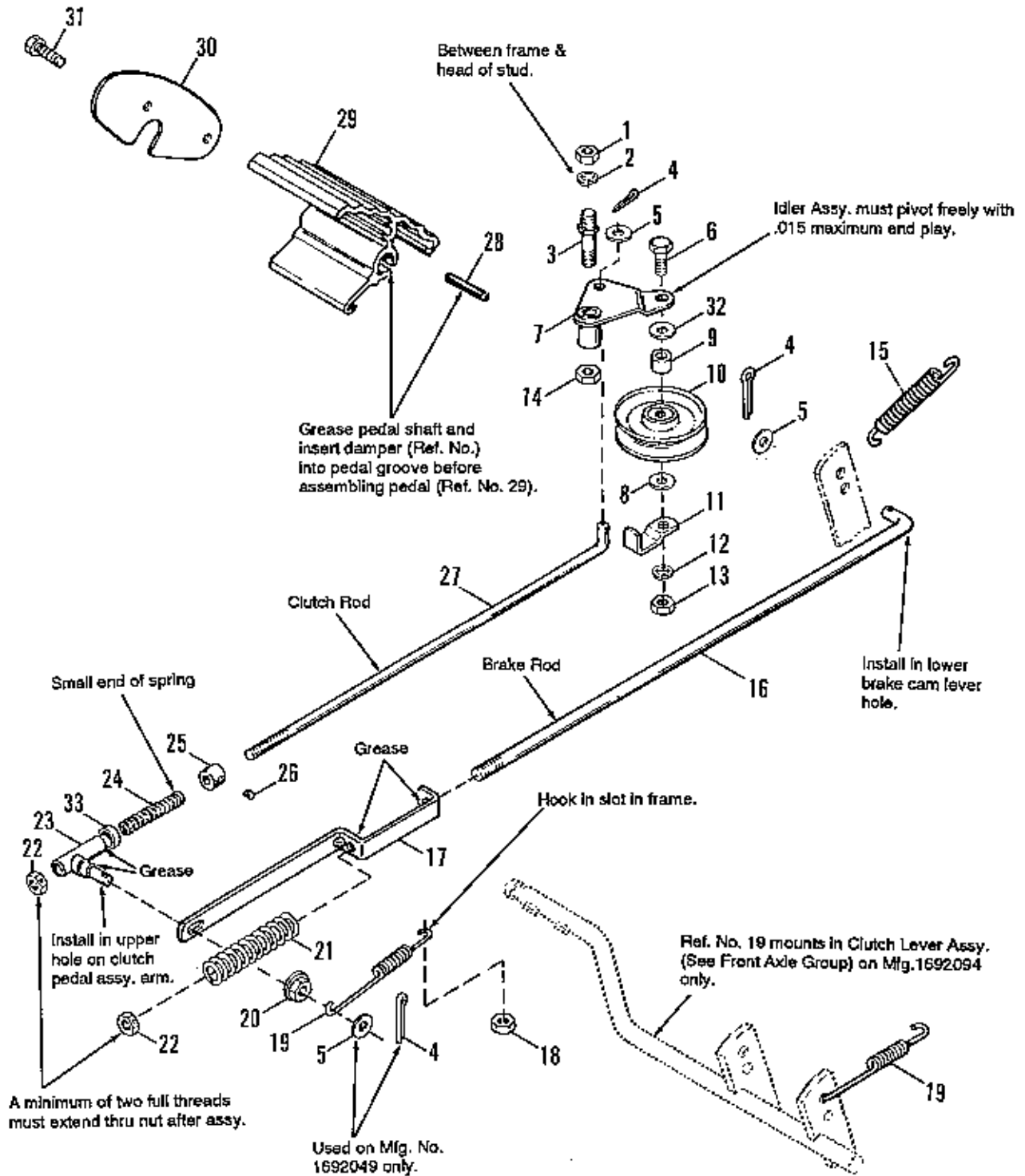
Ref. No.	Part No.	Qty.	Description
1	1666698	1	*V BELT
2	1917372	3	NUT, Hex, 5/16-18
3	1917356	3	LOCKWASHER, 5/16
4	1666709	1	STOP, Belt
5	1919326	5	WASHER, 11/32
6	1921333	1	CAPSCREW, Hex, 5/16-18 x 1
7	1666693	1	PULLEY ASSY., Transmission
8	1930540	2	SETSCREW, 5/16-18 x 5/8
9	1928352	8	LOCKNUT, Hex, Flange, 3/8-16
10	1920415	1	CAPSCREW, Hex, 3/8-16 x 1-1/4
11	1916965	2	LOCKWASHER, 3/8
12	1921210	7	CAPSCREW, Hex 3/8-16 x 1
13	1666632	2	SUPPORT, Transmission, Rear
14	1921719	4	CAPSCREW, Hex, 5/16-18 x 2-1/4
15	1930651	1	LOCKNUT, Hex, 3/8-16
16	905123	1	KEY, Woodruff, #9
17	8221042	2	KEY, 3/16 x 3/16 x 1-1/2
18	1960114	2	WASHER, 15 Ga.
19	1667191	1	SPACER
20	1667192	1	SPACER
21	*	1	TRANSAXLE, 5 Speed, Peerless
22	1666631	1	SUPPORT, Transmission, Front
23	1920427	1	LOCKWASHER, Ext.
24	1919438	6	LOCKNUT, 5/16-18
25	1930601	4	SCREW, Taptite, 5/16-18 x 5/8
26	1666697	2	SPACER
27	1666641	1	ROD, Shift
28	8021050	1	KNOB, Ball, Shift
29	1922234	1	CAPSCREW, Hex, 1/4-28 x 5/8
30	1916964	1	LOCKWASHER, 1/4
31	1921319	1	WASHER, Plain, 9/32
32	1666639	1	LINK, Shift, Lower
33	1666639	1	SHIFT LINK ASSY., Upper
34	1673244	2	WHEEL & TIRE ASSY., 18 x 8.50-8 (Turf Saver tire)
35	1655916	2	TIRE (Carlisle) 18 x 8.50-8 (Turf Saver tire)
36	172353	2	VALVE STEM & CAP
37	1673245	2	WHEEL ASSY.
38	927794	2	E-RING
39	1960160	2	WASHER
40	1673333	2	CAP, Hub, Threaded
41	158499	2	BELT STOP
42	1921977	4	CAPSCREW, Hex, 5/16-18 x 1-1/4

\* Order Peerless parts from your authorized Tecumseh Distributor. See pages 28 thru 31 for Service Parts.



Ref. No.	Part No.	Qty.	Description
1	1708114	1	"V" BELT
2	1917372	3	NUT, Hex, 5/16-18
3	1917356	3	LOCKWASHER, 5/16
4	1666709	1	STOP, Belt
5	1919326	3	WASHER, 11/32
6	1921333	1	CAPSCREW, Hex, 5/16-18 x 1
7	1666693	1	PULLEY ASSY., Transmission
8	1930540	2	SETSCREW, 5/16-18 x 5/8
9	1928352	8	LOCKNUT, Hex, Flange, 3/8-16
10	1920415	1	CAPSCREW, Hex, 3/8-16 x 1-1/4
11	1916965	5	LOCKWASHER, 3/8
12	1921210	9	CAPSCREW, Hex 3/8-16 x 1
13	1666632	2	SUPPORT, Transmission, Rear
14	1921719	4	CAPSCREW, Hex, 5/16-18 x 2-1/4
15	1930651	1	LOCKNUT, Hex, 3/8-16
16	905123	1	KEY, Woodruff, #9
17	8221042	2	KEY, 3/16 x 3/16 x 1-1/2
18	1960027	4	WASHER, Rev. Pinion
19	1921977	3	CAPSCREW, Hex, 5/16-18 x 1-1/4
20	1663180	1	SPACER
21	*	1	TRANSAXLE, 5 Speed, Peerless
22	1666631	1	SUPPORT, Transmission, Front
23	1920427	1	LOCKWASHER, Ext.
24	1919438	4	LOCKNUT, 5/16-18
25	1930601	2	SCREW, Taptite, 5/16-18 x 5/8
26	1705590	1	SPACER, Special
27	1708408	1	ROD, Shift
28	8021050	1	KNOB, Ball, Shift
29	1922234	1	CAPSCREW, Hex, 1/4-28 x 5/8
30	1916964	1	LOCKWASHER, 1/4
31	1921319	1	WASHER, Plain, 9/32
32	1666638	1	LINK, Shift, Lower
33	1708022	1	SHIFT LINK ASSY., Upper
34	1673244	2	WHEEL & TIRE ASSY., 18 x 8.50-8 (Turf Saver tire)
35	1655916	2	TIRE (Carlisle) 18 x 8.50-8 (Turf Saver tire)
36	172353	2	VALVE STEM & CAP
37	1673245	2	WHEEL ASSY.
38	927794	2	E-RING
39	1960160	4	WASHER
40	1673333	2	CAP, Hub, Threaded
41	158499	2	BELT STOP
42	1918196	1	PIN, Quick
43	1918447	1	PIN, Cotter
44	1935048	1	NUT, Hex Flange Hd., 5/16-18
45	1705463	1	BRACKET, Pulley
46	1708029	1	PULLEY, Idler, "V"
47	1708221	1	BELT STOP
48	1676375	1	SPACER
49	1922755	3	WASHER
50	1921973	1	CAPSCREW, 3/8-16 X 2-3/4
51	1916950	3	NUT, Hex, 3/8-16
52	1924940	1	WASHER, 13/32

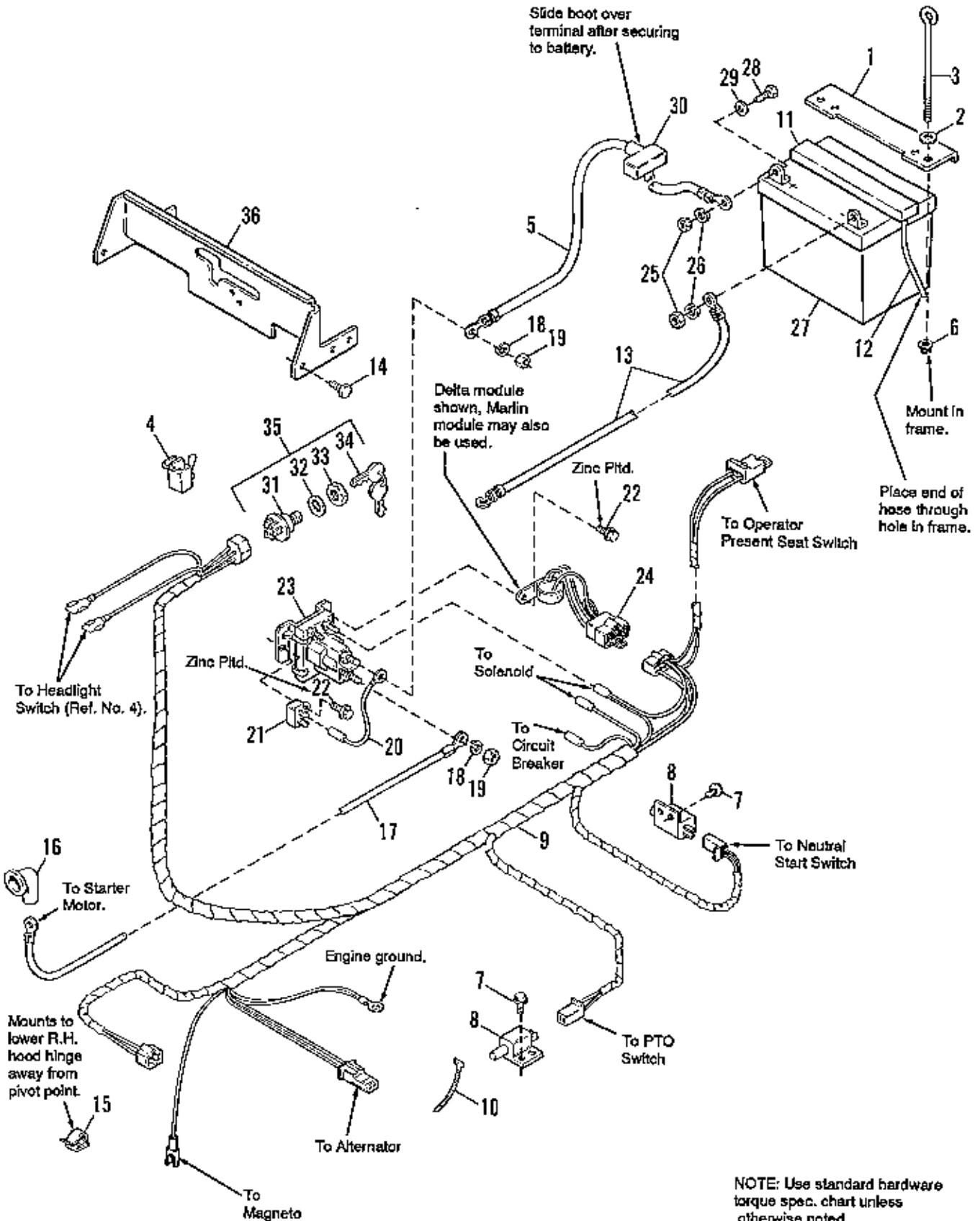
\* Order Peerless parts from your authorized Tecumseh Distributor. See pages 32 thru 35 for Service Parts.



NOTE: Use standard hardware torque spec. chart unless otherwise noted.



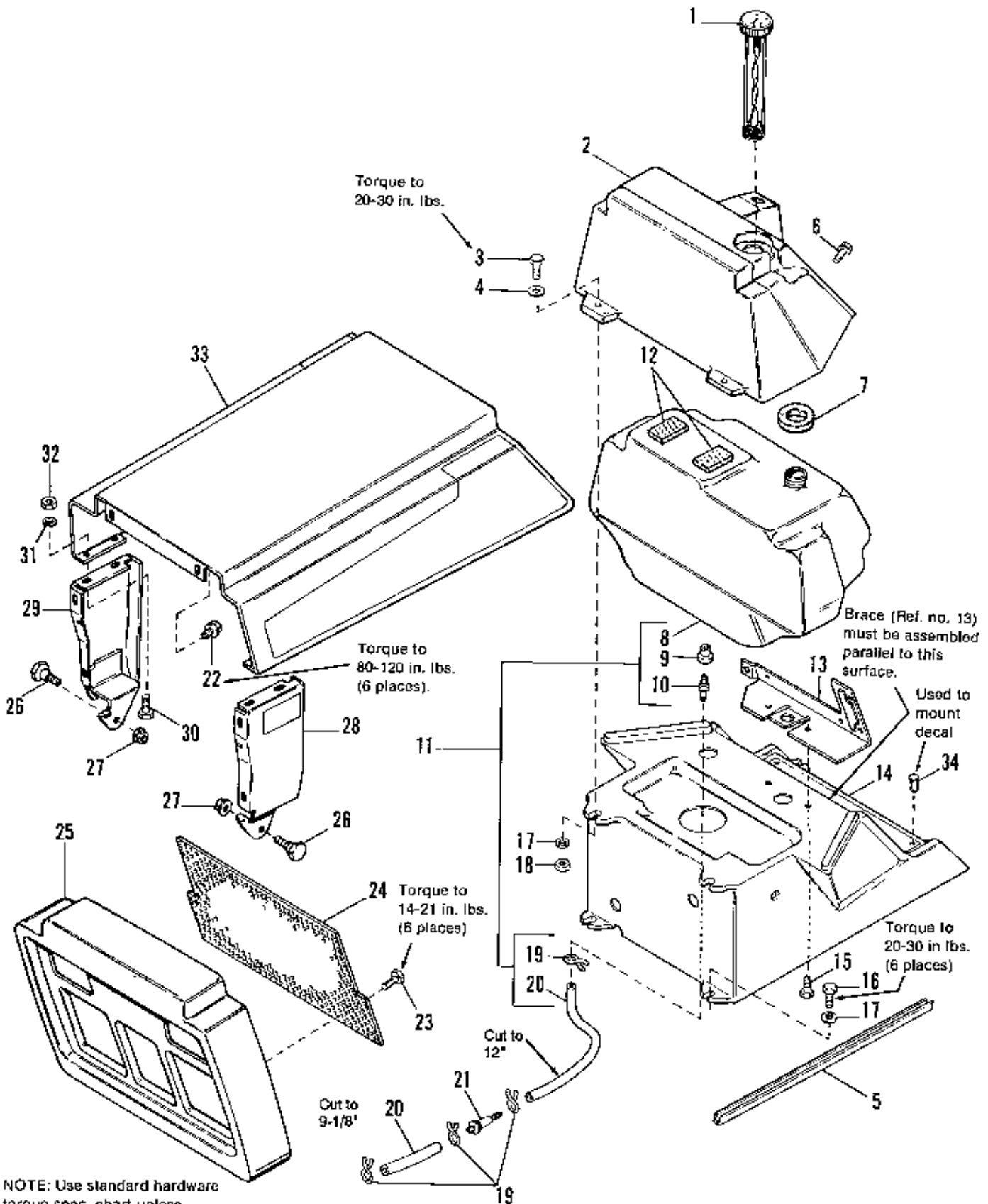
Ref. No.	Part No.	Qty.	Description
1	1918213	1	NUT, Hex, 7/16-14
2	1918199	1	LOCKWASHER, 7/16
3	157273	1	STUD
4	1918447	3	PIN, Cotter (Qty. 2 used on 1692094)
5	1919328	3	WASHER, 11/32
6	1921969	1	CAPSCREW, 3/8-16 x 1-1/2
7	1653076	1	IDLER ASSY.
8	1924940	1	WASHER, Plain, 5/16
9	1666294	1	SPACER
10	1685150	1	PULLEY ASSY.
11	1677135	1	GUARD, Spring
12	1916965	1	LOCKWASHER, 3/8
13	1916950	1	NUT, Hex, 3/8-16
14	1924058	1	LOCKNUT, Hex, 7/16-14
15	159106	1	SPRING, Tension
16	1666656	1	ROD, Brake
17	1663138	1	GUIDE, Rod
18	1923362	1	LOCKNUT, Hex (Used on 1692049 only)
19	1666759	1	SPRING, Return
20	1935048	1	LOCKNUT, Hex, Flange, 5/16-18
21	1663136	1	SPRING, (Used on 1692049 only)
	1708226	1	SPRING, (Used on 1692094 only)
22	1919439	2	LOCKNUT, 5/16-18
23	1657222	1	GUIDE ASSY., Rod
24	157041	1	SPRING, Compression
25	8191022	1	COLLAR, Set
26	1928804	1	SETSCREW, 1/4-20 x 3/8
27	1702156	1	ROD, Clutch
28	1659907	1	DAMPER, Rubber
29	1656852	1	PEDAL, Foot
30	1656854	1	PLATE, End
31	1927429	2	SCREW, Tapite, 1/4-20 x 5/8
32	1922755	1	WASHER, Plain
33	1708228	1	SPACER, (Used on 1692094 only)



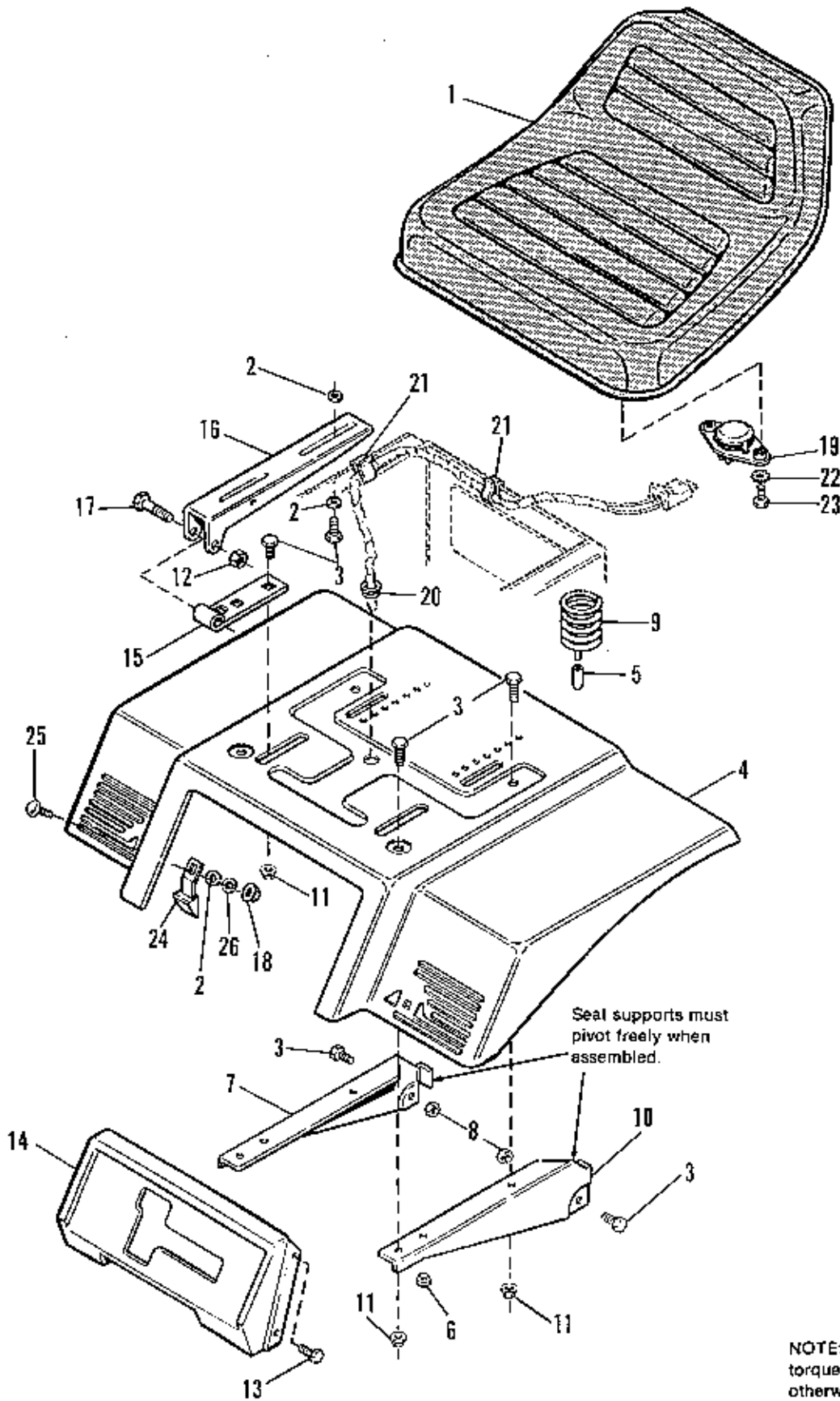
Ref. No.	Part No.	Qty.	Description
1	1669831	1	HOLD DOWN, Battery
2	1921319	2	WASHER, 9/32
3	1700472	2	ROD, Battery Hold Down
4	122184	1	SWITCH, Headlight
5	1603618	1	CABLE, Ground
6	1704349	2	NUT, Retainer, 1/4-20
7	1929477	4	SCREW, TapTite, #10-24 x 1/2
8	1701580	2	SWITCH, PTO and Neutral
9	* 1707757	1	HARNESS, Wiring (6-pin connector)
	** 1685464	1	HARNESS, Wiring (6-pin connector with adapter kit)
10	932747	1	TIE, Self-Locking
11	1704581	1	VENT CAP, Battery
12	1704583	1	HOSE, Drain
13	1703484	1	CABLE, Ground
14	1927428	6	SCREW, TapTite, 1/4-20 x 3/8
15	165073	1	CLIP, Wire
16	122023	1	COVER, Terminal
17	1701522	1	CABLE
18	1917356	2	LOCKWASHER, 5/16
19	1920263	2	NUT, Hex, 5/16-24
20	1665237	1	WIRE ASSY.
21	1665238	1	CIRCUIT BREAKER
22	927429	2	SCREW, TapTite, 1/4-20 x 5/8, Zinc Pltd.
23	1685290	1	SOLENOID
24	* 1707755	1	MODULE, DSI Interlock, Seat Switch (6-pin connector)
	** 1685466	1	MODULE, DSI Interlock, Seat Switch (6-pin connector with adapter kit)
25	1916622	2	NUT, Hex, 1/4-20
26	1916964	2	LOCKWASHER, 1/4
27	1685215	1	BATTERY, 39 Amp.
28	1923341	2	CAPSCREW, Hex Hd., 1/4-20 x 3/4
29	1921319	2	WASHER, 1/4 I.D.
30	1677296	1	BOOT, Insulator
31	1679006	1	SWITCH
32	918906	1	LOCKWASHER, Internal, 5/8
33	122234	1	ADAPTOR, Nut
34	122203	1	KEYS
35	1674244	1	SWITCH, Ignition (Incl. Ref. Nos. 31, 32, 33 & 34)
36	1701555	1	QUADRANT, Shift

\*Used on Mfg. No. 1692094 after Serial No. 1510.

\*\*Used on all Mfg. No. 1692049 and Mfg. No. 1692094 before Serial No. 1511.

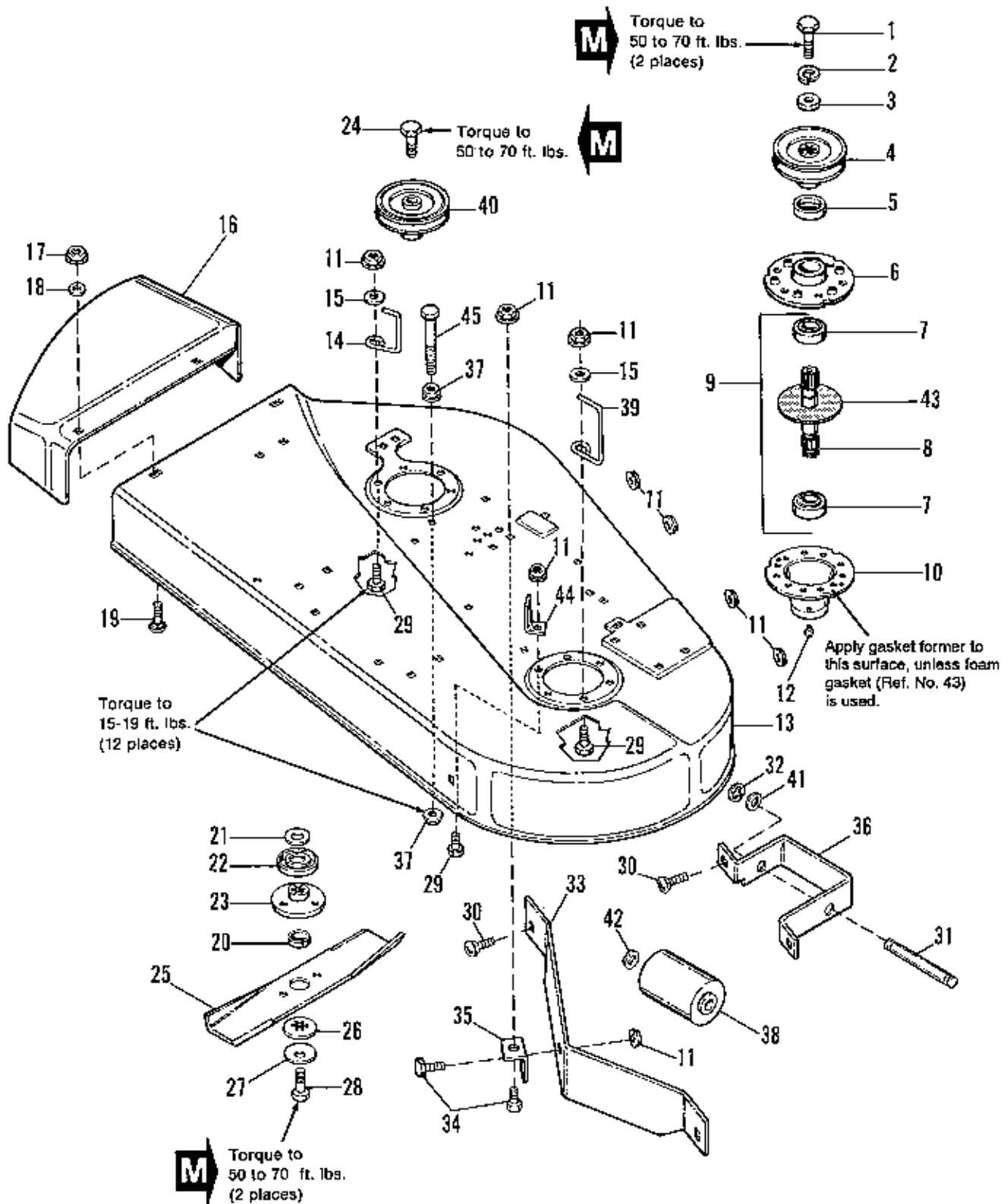


Ref. No.	Part No.	Qty.	Description
1	171252	1	CAP, w/Gas Gauge
2	1672630	1	DASHBOARD, Top
3	1921961	2	CAPSCREW, Hex, 1/4-20 x 1-1/4
4	1921319	2	WASHER, 1/4
5	1672123	2	EDGING, Lower Dash
6	1676860	2	SCREW, Hex Washer Hd., 1/4-14 x 5/8
7	1664897	1	WASHER, Foam
8		1	FUEL TANK (See Ref. No. 11)
9	1654930	1	BUSHING
10	1666447	1	FITTING
11	1695297	1	TANK ASSY., Fuel (Ref. No. 11 incl. Ref. Nos. 8, 9, 10, 19 Qty. 1 & 20)
12	173395	2	PAD
13	1665301	1	BRACE
14	1707393	1	DASHBOARD, Bottom
15	925592	2	SCREW, Taptite, 1/4-20 x 3/4
16	1929783	4	SCREW, Taptite, 1/4-20 x 1
17	1931704	6	LOCKWASHER, Dish, 1/4
18	1923358	2	LOCKNUT, Hex, 1/4-20
19	1960112	4	CLAMP, Hose
20	1676861	1	HOSE, Fuel, 45" long (Cut to length needed - See notes on page 28)
21	173206	1	FILTER, Fuel
22	1960106	6	SCREW, Plastite, 1/4 x 1
23	1960034	6	SCREW, Plastite, #10-14 x 1/2
24	1656793	1	SCREEN
25	1685241	1	GRILLE (Incl. Ref. No. 22)
26	1656792	2	BOLT, Shoulder, 5/16-18 x 7/8
27	1935048	2	LOCKNUT, Flange, Whiz, 5/16-18
28	1656787	1	PANEL ASSY., L.H.
29	1656786	1	PANEL ASSY., R.H.
30	1921958	4	CAPSCREW, Hex, 1/4-20 x 1/2
31	1916964	4	LOCKWASHER, 1/4
32	1916622	4	NUT, Hex, 1/4-20
33	1656774	1	HOOD
34	1667248	4	CLIP, Canoe



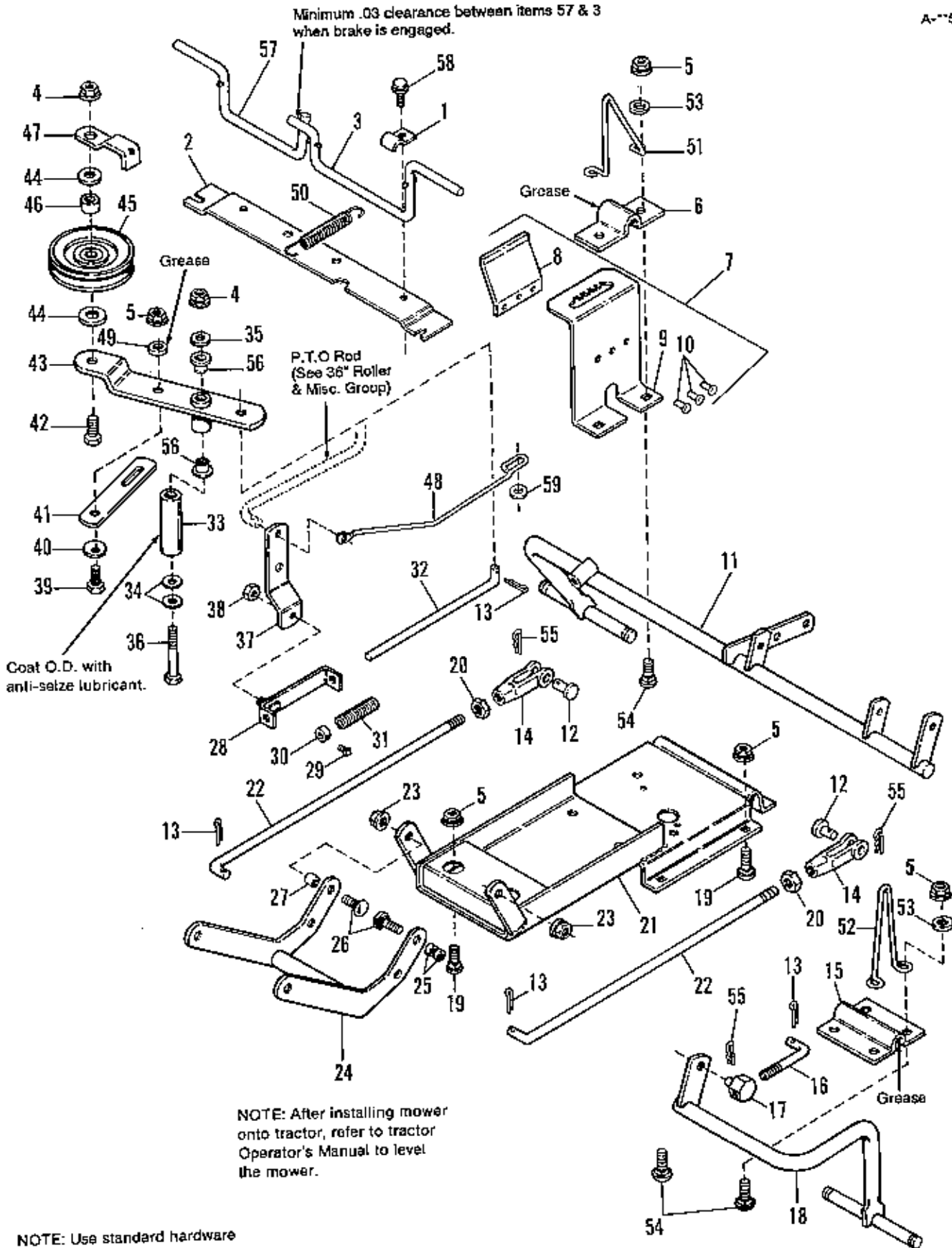
**NOTE:** Use standard hardware torque spec. chart unless otherwise noted.

Ref. No.	Part No.	Qty.	Description
1	1700618	1	SEAT
2	1919326	6	WASHER, Plain, 5/16
3	1921332	14	CAPSCREW, Hex, 5/16-18 x 3/4
4	1702690	1	DECK, Seat
5	1666691	2	COVER, Wire
6	1701742	2	BUMPER, Plug
7	1701736	1	SUPPORT, Seat, R.H.
8	1919438	2	LOCKNUT, Hex, 5/16-18
9	1666690	2	SPRING, Seat
10	1701737	1	SUPPORT, Seat, L.H.
11	1927557	8	NUT, Hex, Flange Whizlock, 5/17-18
12	1930651	4	LOCKNUT, Hex, 3/8-16
13	1928729	2	SCREW, Hex, Tapite, 5/16-18 x 3/8
14	1668839	1	PANEL, Shift
15	1701560	2	HINGE, Lower
16	1701559	2	HINGE, Upper
17	1923701	2	CAPSCREW, Hex, 3/8-16 x 2
18	1917372	2	NUT, Hex, Full, 5/16-18
19	1703373	1	SWITCH, Seat
20	1701229	1	BUSHING, Snap
21	930222	2	CLIP
22	1921880	2	LOCKWASHER, 1/4 Ext. Tooth
23	1960357	2	SCREW, Rd. Hd., 1/4-20 x 3/4
24	1701252	2	SEAT LATCH ASSY.
25	1931333	2	BOLT, Carriage, 5/16-18 x 3/4
26	1917356	2	LOCKWASHER, 5/16





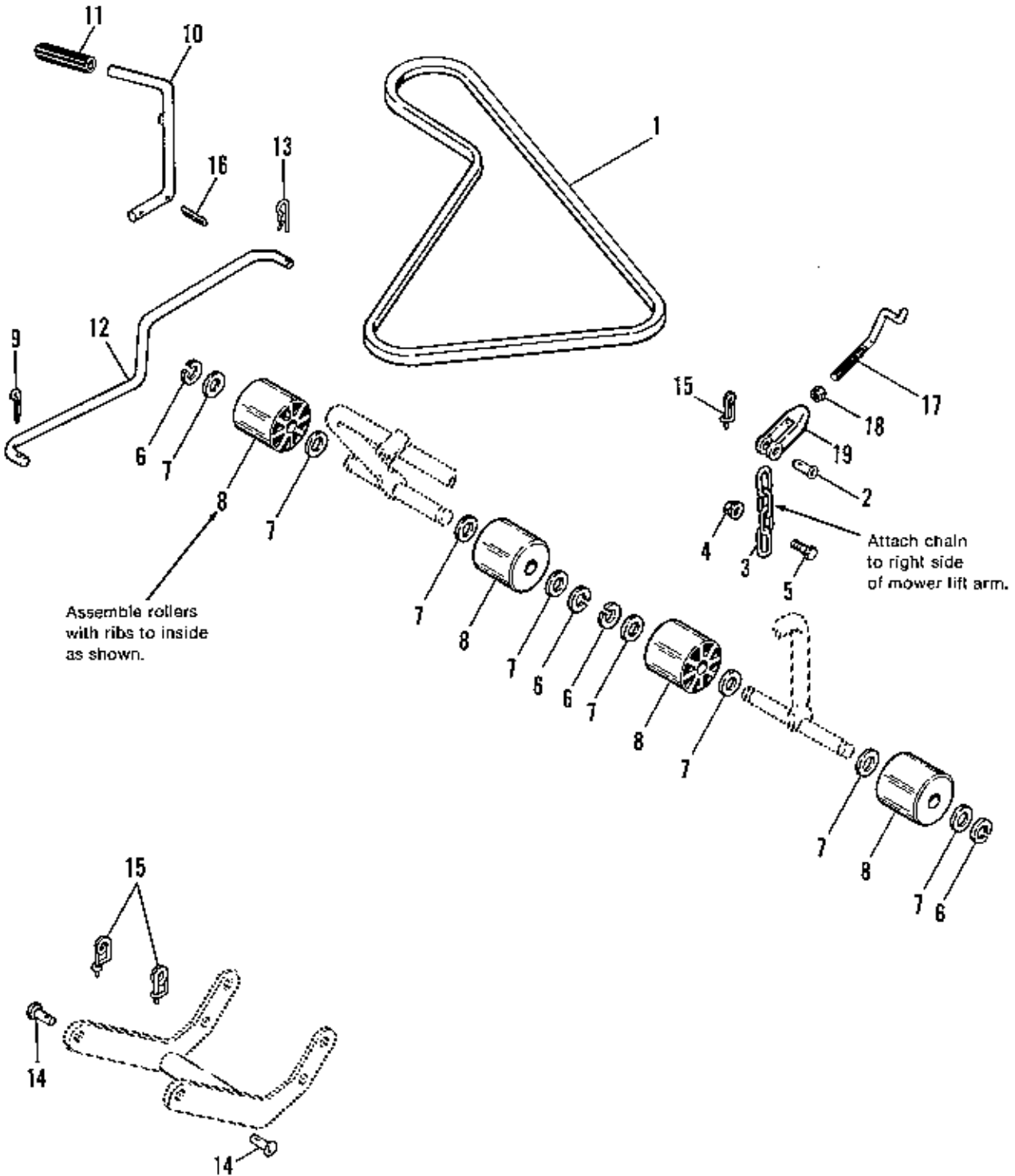
Ref. No.	Part No.	Qty.	Description
1	1930585	2	CAPSCREW, Hex Hd., 7/16-14 x 3-1/2
2	1918199	2	LOCKWASHER, 7/16
3	1933263	2	WASHER, 29/64 x 1-1/4 x 1/4
4	1673109	1	PULLEY ASSY.
5	1657969	2	SHIELD, Bearing, Upper
6	1655729	2	ARBOR HOUSING, Top
7	108202	4	BEARING
8	1685245	2	SHAFT, Arbor (Incl. Ref. No. 20)
9	1685251	2	SHAFT & BEARING ASSY. (Incl. Ref. Nos. 7 (Qty. 2), 8, 20 & 43)
10	1703273	2	ARBOR HOUSING ASSY., Bottom (Incl. Ref. No. 12)
11	1931277	9	NUT, Hex, Flange Whizlock, 5/16-18
12	1704314	2	GREASE FITTING
13	1685102	1	HOUSING, 36" (Incl. Safety Decals)
14	1657660	1	STOP, Belt
15	1919326	2	WASHER, 11/32
16	1702190	1	DEFLECTOR
17	1931211	2	NUT, Hex, Flange Whizlock, 3/8-16
18	1924940	2	WASHER, 13/32
19	1931348	2	BOLT, Carriage, 3/8-16 x 3/4
20	1672132	2	COLLAR, Arbor
21	1700230	2	WASHER, Shim
22	1700229	2	SHIELD, Grass
23	1655777	2	ADAPTOR, Blade
24	1930584	1	CAPSCREW, Hex Hd., 7/16-14 x 2-3/4
25	1657589	2	BLADE, 36"
26	1656927	2	WASHER, Spline
27	1656916	2	WASHER, Cup
28	1923491	2	CAPSCREW, Hex Hd., 7/16-14 x 1
29	1960373	12	SCREW, Hex, Wash. Hd., Tapite, 5/16-18 x 1
30	1931333	4	BOLT, Carriage, 5/16-18 x 3/4
31	1603205	1	SHAFT, Roller, Center
32	927793	1	E-RING
33	1671577	1	BAFFLE
34	1921332	2	CAPSCREW, Hex Hd., 5/16-18 x 3/4
35	1668500	1	BRACKET, Mower
36	1705953	1	BRACKET, Center, Roller
37	1927557	2	NUT, Hex Flange Whizlock, 5/16-18
38	1668513	1	ROLLER
39	1673106	1	STOP, Belt
40	1655839	1	PULLEY ASSY.
41	960171	1	WASHER, Nylon
42	1678100	1	WASHER, Wave
43	1707335	2	GASKET, Foam
44	1678339	1	BRACKET, Lift
45	1925690	1	CAPSCREW, Hex Hd., 5/16-18 x 3-1/2



Ref. No.	Part No.	Qty.	Description
1	1664004	4	CLIP, Brake Rod
2	1701532	1	SUPPORT, Brake
3	1701535	1	ROD, Brake
4	1930645	2	NUT, Hex Flange, 3/8-16
5	1931277	14	NUT, Hex, Flange Whizlock, 5/16-18
6	1654655	1	STRAP
7	1663223	1	QUADRANT ASSY. (Includes Ref. Nos. 8, 9 & 10)
8	1663222	1	SPRING, Flat
9		1	QUADRANT (See Ref. No. 7)
10	910542	3	RIVET, Tubular, 3/16 x 5/16
11	1668099	1	SUPPORT ASSY., Roller, R.H.
12	1923097	2	PIN, Clevis
13	1918447	4	PIN, Cotter, 3/32 x 3/4
14	108157	2	CLEVIS, Adjusting
15	1653768	1	CLAMP, Adjusting, Wheel Support
16	1655811	1	ROD, Bolt
17	108512	1	PIVOT
18	1668098	1	SUPPORT ASSY., Roller, L.H.
19	1931333	8	BOLT, Carriage, 5/16-18 x 3/4
20	1916950	4	NUT, Hex, Full, 3/8-16
21	1702341	1	SUPPORT ASSY., Mower
22	1702502	2	ROD, Height Adjustment
23	1930645	2	LOCKNUT, Hex, Flange, 3/8-16
24	1674011	1	ARM ASSY., Rocker
25	108717	1	SPACER
26	1923220	2	CARRIAGE BOLT, 3/8-16 x 1-1/4
27	154177	1	SPACER
28	108662	1	GUIDE ASSY., Rod
29	1928804	1	SETSCREW, 1/4-20 x 3/8
30	8191022	1	COLLAR, Set
31	163103	1	SPRING
32	171320	1	ROD, Clutch
33	1657242	1	SPACER
34	924356	2	WASHER
35	1924940	1	WASHER, Plain, 13/32
36	1928957	1	CAPSCREW, Hex Hd., 3/8-16 x 2-3/4
37	1656991	1	ARM, Pivot
38	1923362	1	LOCKNUT, Hex, 5/16-18
39	* 1921333	1	CAPSCREW, Hex Hd., 5/16-18 x 1
40	* 177649	1	WASHER, Compression
41	* 1701563	1	LEVER, Brake
42	1921971	1	CAPSCREW, Hex Hd., 3/8-16 x 1-3/4
43	1677750	1	LEVER ASSY., Clutch (Incl. Ref. No. 56 Qty. 2)
44	1922755	2	WASHER, Plain
45	1685150	1	PULLEY ASSY.
46	1666294	1	SPACER
47	1677135	1	GUARD, Spring
48	** 1707563	1	ROD, Brake
49	* 1655085	1	SPACER
50	159159	2	SPRING
51	1669232	1	UP-STOP, R.H.
52	1669233	1	UP-STOP, L.H.
53	1919326	4	WASHER, Plain
54	1920564	6	BOLT, Carriage, 5/16-18 x 1-1/4
55	1960074	3	CLIP, Hair Pin
56	1663114	2	BUSHING, Universal
57	1701536	1	ROD, Brake
58	1924856	4	SCREW, Hex Hd., Tapite, 5/16-18 x 1/2
59	** 1924940	1	WASHER, 13/32

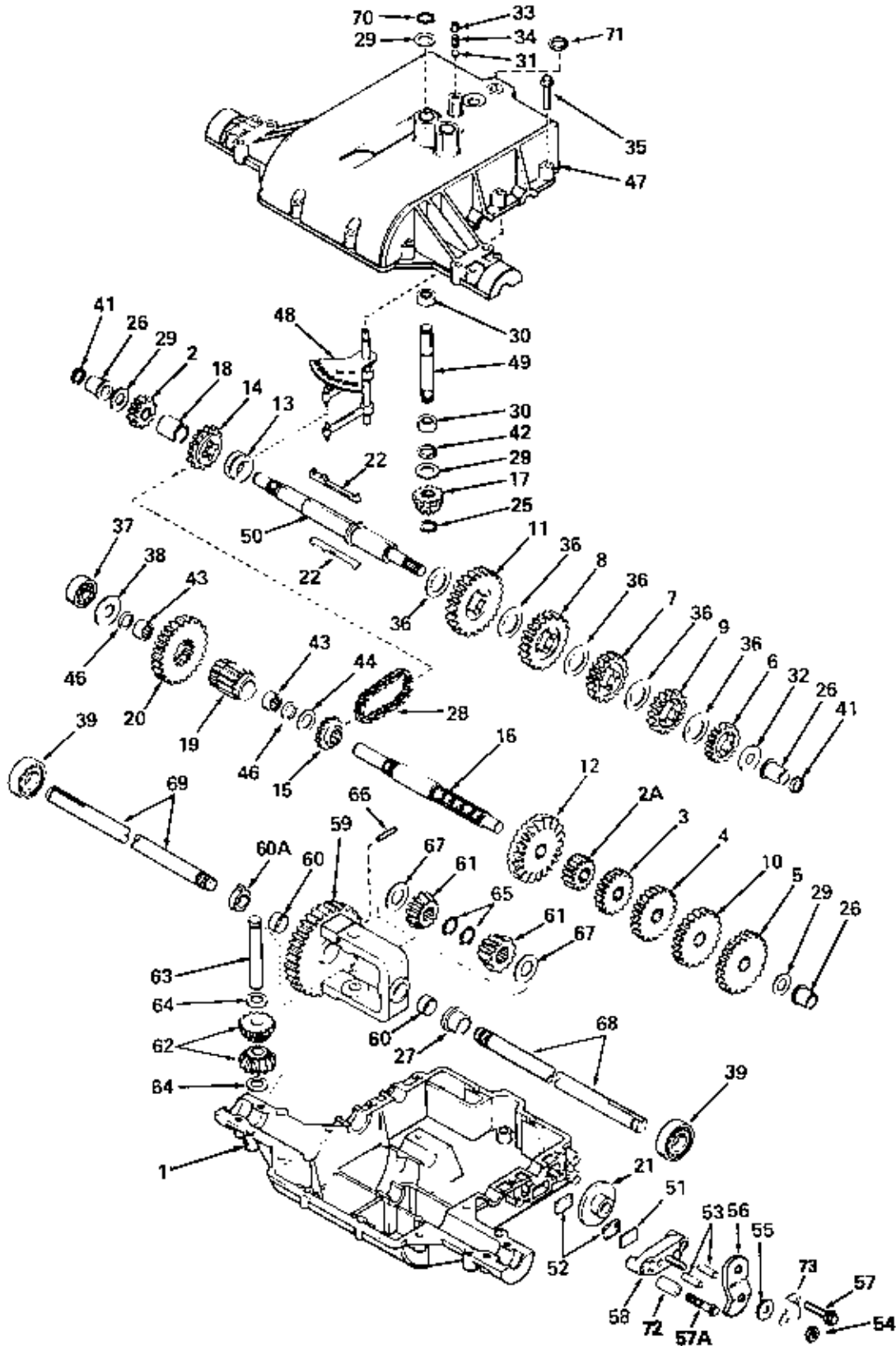
\*Early Model Blade Brake system.

\*\*Later Model Blade Brake system.



NOTE: Use standard hardware torque spec. chart unless otherwise noted.

Ref. No.	Part No.	Qty.	Description
1	108505	1	V-BELT, Mower Drive
2	1673574	1	PIN, Rivet
3	1669241	1	CHAIN, Lift 4 Links
4	1935048	1	LOCKNUT, Hex, Flange, 5/16-18
5	1921333	1	CAPSCREW, Hex Hd., 5/16-18 x 1
6	153124	4	RING, Retaining
7	1960020	8	WASHER, Plain, 5/8
8	1668487	4	ROLLER
9	1918448	1	PIN, Cotter, 3/32 x 1
10	1656412	1	LEVER, Control
11	175933	1	GRIP, Handle
12	1668744	1	ROD, P.T.O.
13	1960074	1	CLIP, Hairpin
14	156306	2	PIN
15	176012	3	CLIP, Pin, Safety
16	1918452	2	PIN, Cotter, 1/8 x 1
17	1685243	1	ROD, Lift
18	1920161	1	NUT, Jam, 5/16-18
19	1673575	1	CLEVIS

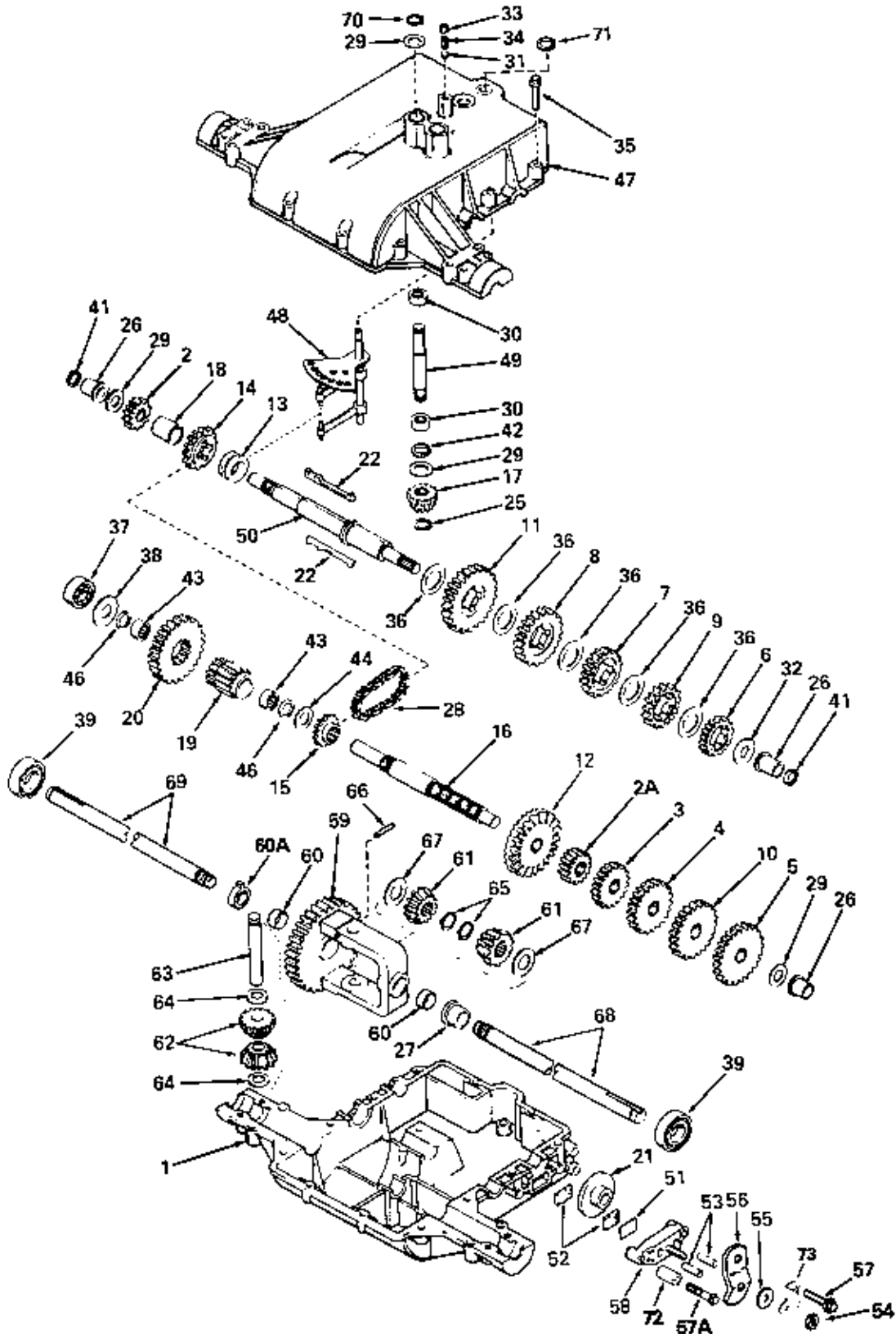


Ref. No.	Part No.	Qty.	Description
1	770071A	1	CASE, Transaxle
2	778136	1	GEAR, Spur (15 teeth)
2A	778145	1	GEAR, Spur (12 teeth)
3	778126A	1	GEAR, Spur (20 teeth)
4	778127A	1	GEAR, Spur (25 teeth)
5	778129A	1	GEAR, Spur (30 teeth)
6	778121A	1	GEAR, Spur (20 teeth)
7	778123A	1	GEAR, Spur (25 teeth)
8	778124A	1	GEAR, Spur (30 teeth)
9	778122A	1	GEAR, Spur (22 teeth)
10	778128A	1	GEAR, Spur (28 teeth)
11	778146A	1	GEAR, Spur (37 teeth)
12	778137A	1	GEAR, Spur (42 teeth)
13	784266	1	COLLAR, Shift
14	786060	1	SPROCKET (14 teeth)
15	786061	1	SPROCKET (10 teeth)
16	776204	1	SHAFT, Counter
17	778113A	1	BEVEL PINION, Input
18	786074	1	SPACER
19	778138	1	PINION, Output
20	778139	1	GEAR, Output
21	790003	1	DISK, Brake
22	792089A	2	Key
25	786040	1	RING, Retaining
26	780105A	3	BUSHING, Flanged
27	780118A	1	BUSHING, Flanged
28	786062A	1	CHAIN, Roller (No. 41 chain, 22 links)
29	780072	4	WASHER, Thrust
30	780122	2	BEARING, Needle
31	792077	1	BALL, Steel
32	780109	1	WASHER, Thrust
33	792078	1	SCREW, Set, 3/8-16 x 3/8
34	792079	1	SPRING
35	792073	17	SCREW, Hex Hd., Thread Forming, 1/4-20 x 1-1/4
36	780108	5	WASHER, Thrust
37	780121	1	BEARING, Ball
38	780113	1	WASHER, Flat
39	780119	2	BEARING, Ball

**NOTE:** Refer to I.D. Plate on transaxle to determine model.

Ref. Nos. 41 - 73 are found on following page.

**NOTE:** See an authorized Tecumseh dealer for parts and service; Peerless parts are not available thru Simplicity.



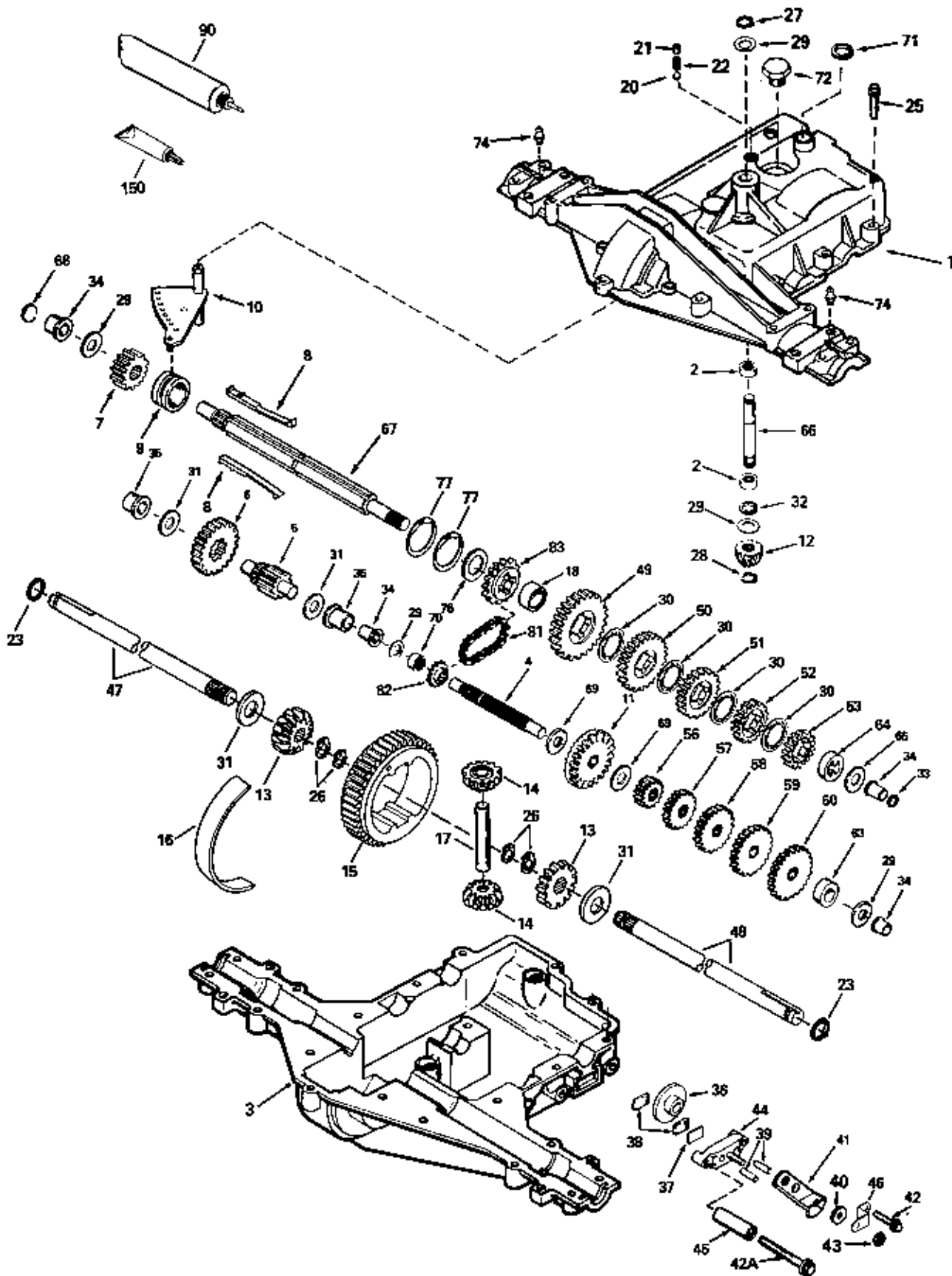


Ref. No.	Part No.	Qty.	Description
41	788051	2	SEAL, Square Cut
42	788057	1	SEAL, Square Cut
43	780112	2	BEARING, Needle
44	780114	1	WASHER, Flat
46	788053	2	SEAL, Square Cut
47	772082	1	COVER, Transaxle
48	784290	1	ROD & FORK ASSY., Shift
49	776135	1	SHAFT, Input
50	776184A	1	SHAFT, Brake
51	790007	1	PLATE, Brake Pad
52	790006	2	PAD, Brake
53	786026	2	PIN, Dowel
54	792075	1	LOCKNUT, 5/16-24
55	792076	1	WASHER, Flat
56	790019	1	LEVER, Brake
57	792073	1	SCREW, Hex Hd. Thd. Form., 1/4-20 x 1-1/4
57A	792085	1	SCREW, Hex Hd., Thd. Form., 1/4-20 x 2-1/4
58	790025	1	HOLDER, Brake Pad
59	778053A	1	GEAR ASSY., Differential (Incl. 2 of No. 60)
60	780064	2	BUSHING
60A	780120	1	BUSHING
61	778166	2	GEAR, Bevel
62	778131	2	PINION, Bevel
63	786034	1	PIN, Drive
64	780065	2	WASHER, Thrust
65	792018	2	RING, Retaining
66	792040	1	PIN, Roll
67	780001	2	WASHER, Thrust
68	774645	1	AXLE (15-1/2" long)
69	774644	1	AXLE (12-1/2" long)
70	792035	1	RING, Retaining
71	788069	1	SEAL, Square Cut
72	786066	1	SPACER
73	786086	1	BRACKET

**NOTE:** Refer to I.D. Plate on transaxle to determine model.

Reference Nos. 1-39 are found on the preceding page.

**NOTE:** See an authorized Tecumseh dealer for parts and service; Peerless parts are not available thru Simplicity.

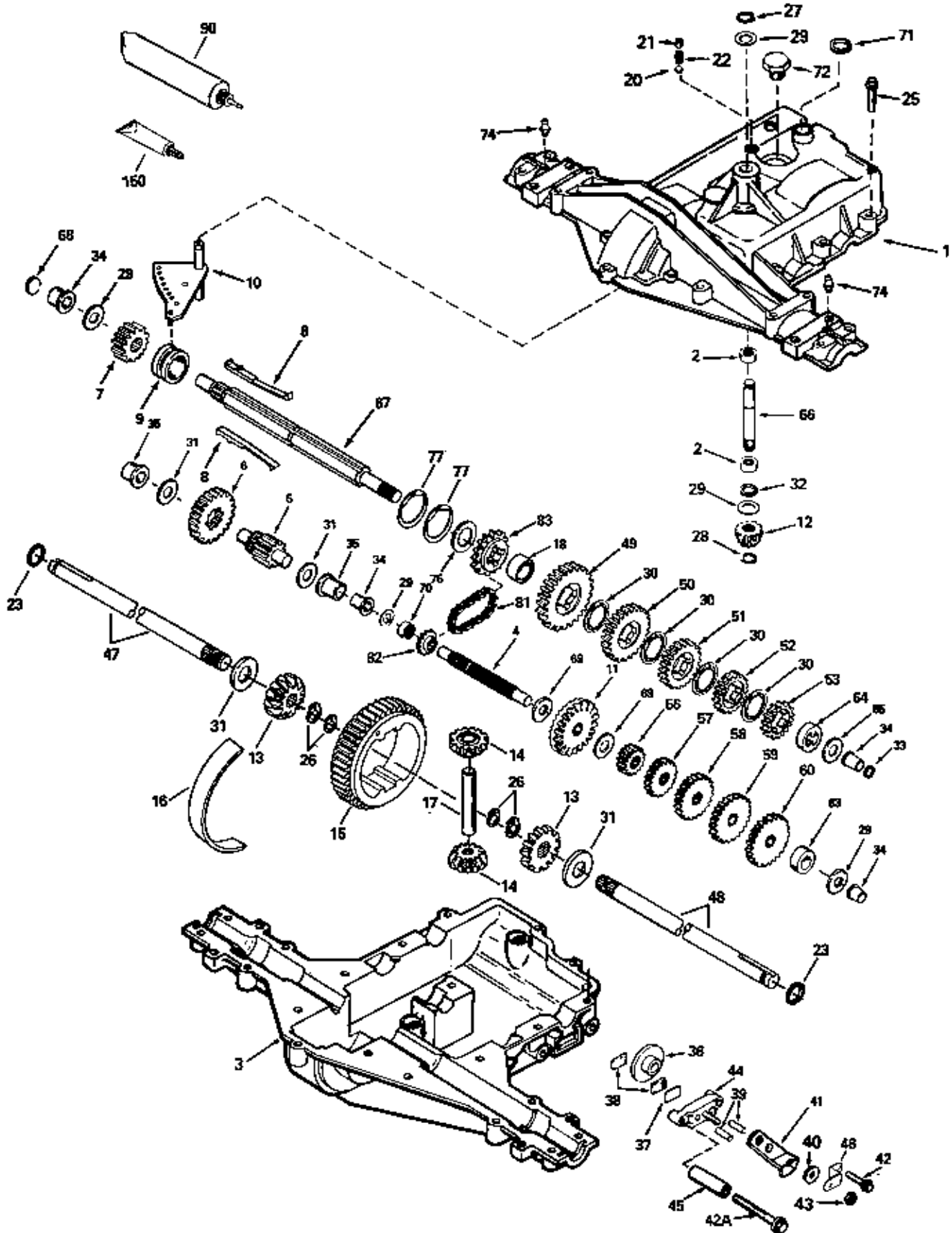


Ref. No.	Part No.	Qty.	Description
1	772107A	1	COVER, Transaxle
2	780086	2	BEARING, Needle
3	770102A	1	CASE, Transaxle
4	776260	1	SHAFT, Counter
5	776219	1	SHAFT & PINION ASSY., Output
6	778139	1	GEAR, Output
7	778136	1	GEAR, Spur (15 teeth)
8	792136	4	KEY, Shifter
9	784352	1	COLLAR, Shifter
10	784354	1	ROD & FORK ASSY., Shift
11	778229	1	GEAR, Bevel (42 teeth)
12	778113A	1	BEVEL PINION, Input
13	778221	2	GEAR, Bevel
14	778068	2	GEAR, Bevel Pinion
15	778260	1	GEAR, Ring
16	786150	1	STRIP, Bearing
17	786139	1	PIN, Drive
18	786102	1	SPACER
20	792077	1	BALL, Steel (5/16" dia.)
21	792078	1	SCREW, Set, 3/8-16 x 3/8
22	792079	1	SPRING
23	788061	2	RING, Seal
25	792073	17	SCREW, Flanged Hex Hd., Threadforming, 1/4-20 x 1-1/4
26	792125	4	RING, Retainer (Pkg. of 2)
27	792035	1	RING, Retainer
28	788040	1	RING, Retainer
29	780072	5	WASHER, Thrust
30	780108	4	WASHER, Thrust
31	780001	4	WASHER
32	792001	1	"O" RING
33	788051	1	SEAL, Square Cut
34	780105A	4	BUSHING, Flanged
35	780118A	2	BUSHING, Flanged
36	790003	1	DISK, Brake
37	790007	1	PLATE, Brake Pad
38	790006	2	PAD, Brake
39	786026	2	PIN, Dowel
40	792076	1	WASHER, Flat
41	790019	1	LEVER, Brake
42	792073	1	SCREW, Flanged Hex Hd., Threadforming, 1/4-20 x 1-1/4
42A	792085	1	SCREW, Flanged Hex Hd., Threadforming, 1/4-20 x 1-1/4

**NOTE:** Refer to I.D. Plate on transaxle to determine model.

Ref. Nos. 43-150 are found on following page.

**NOTE:** See an authorized Tecumseh dealer for parts and service; Peerless parts are not available thru Simplicity.

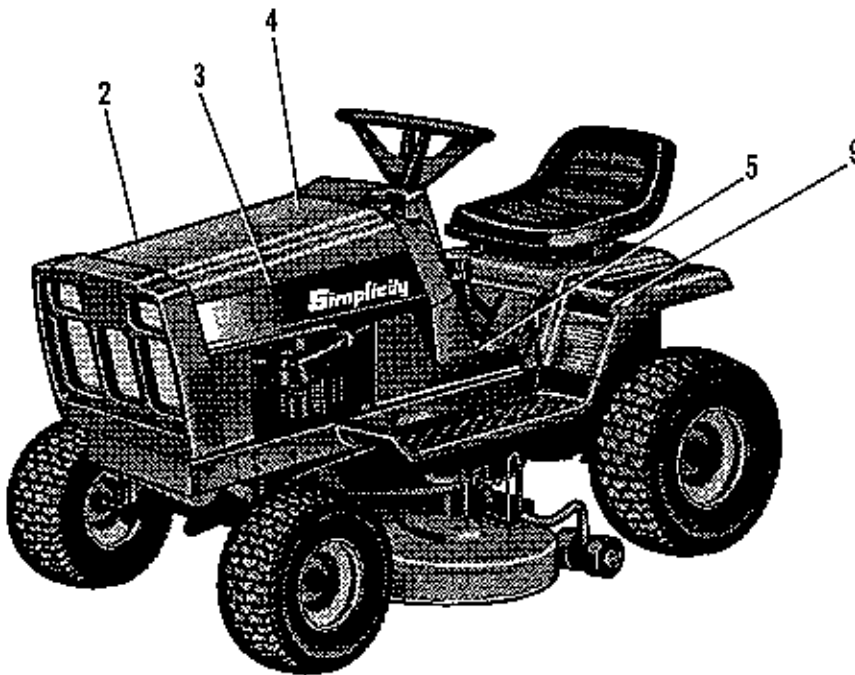


Ref. No.	Part No.	Qty.	Description
43	792075	1	NUT, Lock, 5/16-24
44	790025	1	HOLDER, Brake Pad
45	786066	1	SPACER
46	786086	1	BRACKET, Brake Lever
47	774927	1	AXLE (11-5/32" Long)
48	774733A	1	AXLE (16-27/32" Long)
49	778191	1	GEAR, Spur (37 teeth)
50	778124A	1	GEAR, Spur (30 teeth)
51	778123A	1	GEAR, Spur (25 teeth)
52	778122A	1	GEAR, Spur (22 teeth)
53	778209	1	GEAR, Spur (19 teeth)
56	778230	1	GEAR, Spur (12 teeth)
57	778126A	1	GEAR, Spur (20 teeth)
58	778127A	1	GEAR, Spur (25 teeth)
59	778128A	1	GEAR, Spur (28 teeth)
60	778163	1	GEAR, Spur (31 teeth)
63	786071	1	SPACER
64	786072	1	SPACER
65	780109	1	WASHER, Thrust
66	776135	1	SHAFT, Input
67	776315A	1	SHAFT, Brake (4-Keyed)
68	786116	1	DISK
69	780051	2	WASHER, Thrust
70	786118	1	SPACER
71	788069	1	SEAL, Square Cut
72	792074	1	PLUG, Hex Hd., 9/16-18 Thread
74	792137	2	FITTING, Lubrication
76	780090	1	WASHER, Thrust
77	788078A	2	RING, Retaining (Pkg. of 2)
81	786062A	1	CHAIN, Roller (No. 41 chain, 22 Links)
82	786061	1	SPROCKET (10 teeth)
83	786124	1	SPROCKET (14 teeth)
90	788067B	1	GREASE (32 oz. Bottle Bentonite grease)
150	510334	1	ADHESIVE (Loctite #515)

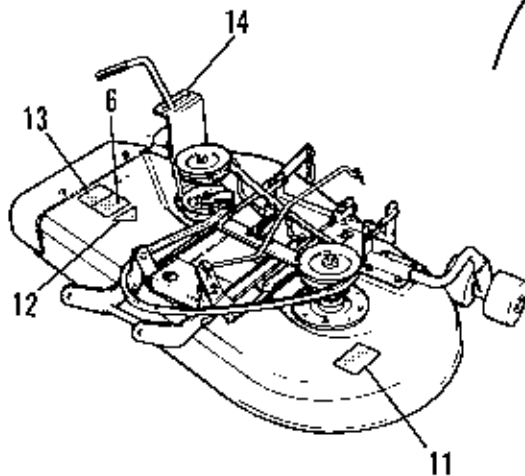
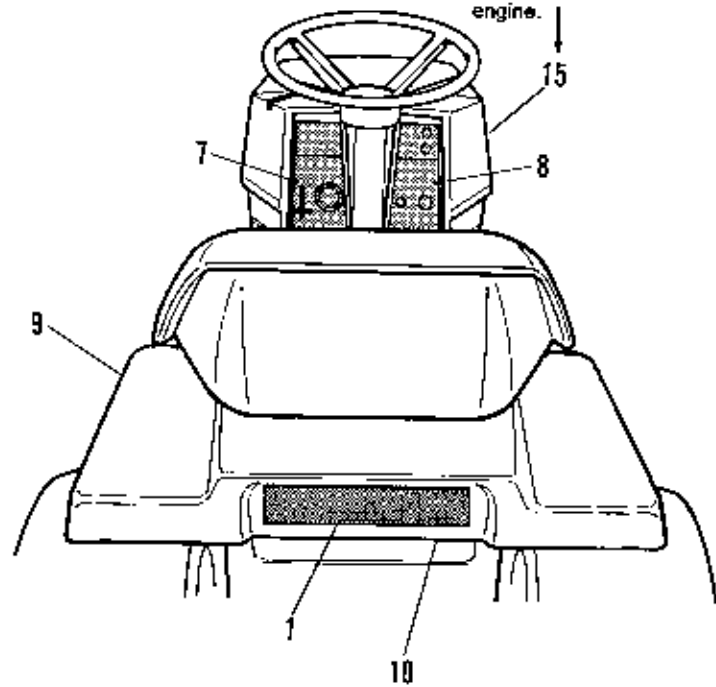
**NOTE:** Refer to I.D. Plate on transaxle to determine model.

Reference Nos. 1-42A are found on the preceding page.

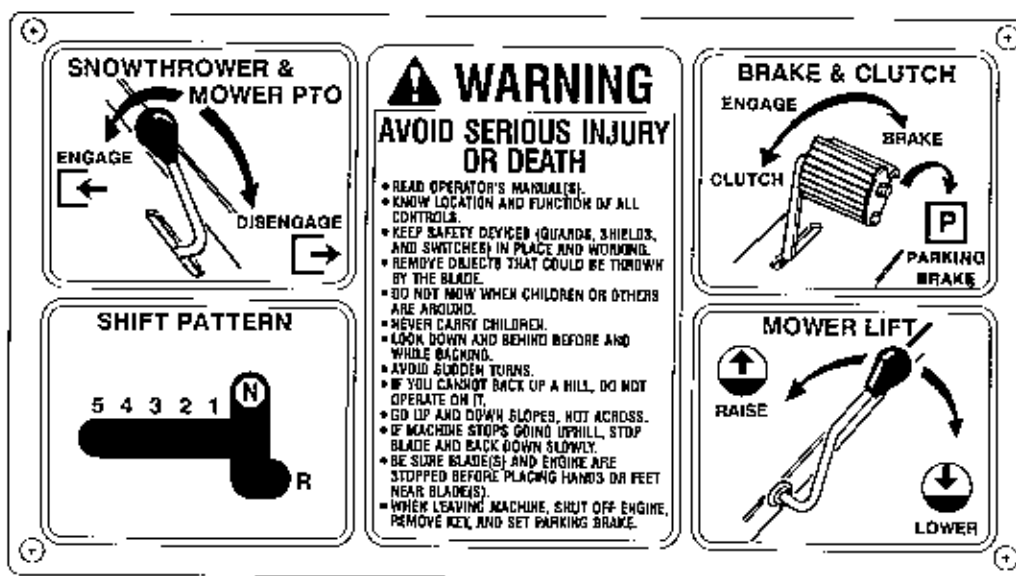
**NOTE:** See an authorized Tecumseh dealer for parts and service; Peerless parts are not available thru Simplicity.



Located on top of engine. Read from spark plug side of engine.



Ref. No.	Part No.	Qty.	Description
1	1668202	1	DECAL, <i>Simplicity</i>
2	1706030	1	DECAL, Hood, R.H.
3	1706031	1	DECAL, Hood, L.H.
4	1707994	1	DECAL, Drive Belt (used on 1692049 only)
	1708232	1	DECAL, Drive Belt (used on 1692094 only)
5	1708276	1	DECAL, Shift Pattern
6	1704910	2	DECAL, Cutting Width, 36"
7	1673431	1	DECAL, Dash, L.H. Side
8	1673430	1	DECAL, Dash, R.H. Side
9	1707722	1	DECAL, 12RTG
10		1	DECAL, Battery, <i>Simplicity</i> (Not Serviced)
11	1704276	1	DECAL, Danger, Rotating Blade
12		1	DECAL, OPEI (Not Serviced)
13	1704277	1	DECAL, Danger, Deflector in Place
14	1656855	1	DECAL, Mower Height
15	1707648	1	DECAL, <i>Simplicity</i> , 12 HP, 1/C



Ref. No. 5



Ref. No. 11



Ref. No. 13












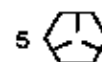
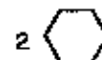
**TORQUE SPECIFICATIONS FOR  
STANDARD MACHINE HARDWARE  
TOLERANCE  $\pm 20\%$**

SIZE	SAE GRADE #2 		SAE GRADE #5 		SAE GRADE #8 	
	In./Lbs. Ft./Lbs.	Nm.	In./Lbs. Ft./Lbs.	Nm.	In./Lbs. Ft./Lbs.	Nm.
8-32	19	2.1	30	3.4	41	4.6
8-36	20	2.3	31	3.5	43	4.9
10-24	27	3.1	43	4.9	60	6.8
10-32	31	3.5	49	5.5	68	7.7
1/4-20	66	7.6	8	10.9	12	16.3
1/4-28	76	8.6	10	13.6	14	19.
5/16-18	11	15.	17	23.1	25	34.
5/16-24	12	16.3	19	25.8	25	34.
3/8-16	20	27.2	30	40.8	45	61.2
3/8-24	23	31.3	35	47.6	50	68.
7/16-14	30	40.8	50	68.	70	95.2
7/16-20	35	47.6	55	74.8	80	108.8
1/2-13	50	68.	75	102.	110	149.6
1/2-20	55	74.8	90	122.4	120	163.2
9/16-12	65	88.4	110	149.6	150	204.
9/16-18	75	102.	120	163.2	170	231.2
5/8-11	90	122.4	150	204.	220	299.2
5/8-18	100	136.	180	244.8	240	326.4
3/4-10	160	217.6	260	353.6	386	525.
3/4-16	180	244.8	300	408.	420	571.2
7/8-9	140	190.4	400	544.	600	816.
7/8-14	155	210.8	440	598.4	660	897.6
1-8	220	299.2	580	788.8	900	1,224.
1-12	240	326.4	640	870.4	1,000	1,360.

**NOTE:**

- These torque values are to be used for all hardware excluding: locknuts, self-tapping screws, thread forming screws, sheet metal screws and socket head setscrews.
- Recommended seating torque values for locknuts:
  - For prevailing torque locknuts - use 65% of grade 5 torques.
  - For flange whizlock nuts (and screws) - use 135% of grade 5 torques.
- Unless otherwise noted on assembly drawings all torque values must meet this specification.

**BOLT HEAD MARKING  
S.A.E. GRADE:**



**SIMPLICITY MANUFACTURING, INC.**  
500 N. Spring St., P.O. Box 997  
Port Washington, WI USA 53074-0997

TP 1182  
PRINTED IN U.S.A.  
©1992 4/82

## Free Manuals Download Website

<http://myh66.com>

<http://usermanuals.us>

<http://www.somanuals.com>

<http://www.4manuals.cc>

<http://www.manual-lib.com>

<http://www.404manual.com>

<http://www.luxmanual.com>

<http://aubethermostatmanual.com>

Golf course search by state

<http://golfingnear.com>

Email search by domain

<http://emailbydomain.com>

Auto manuals search

<http://auto.somanuals.com>

TV manuals search

<http://tv.somanuals.com>