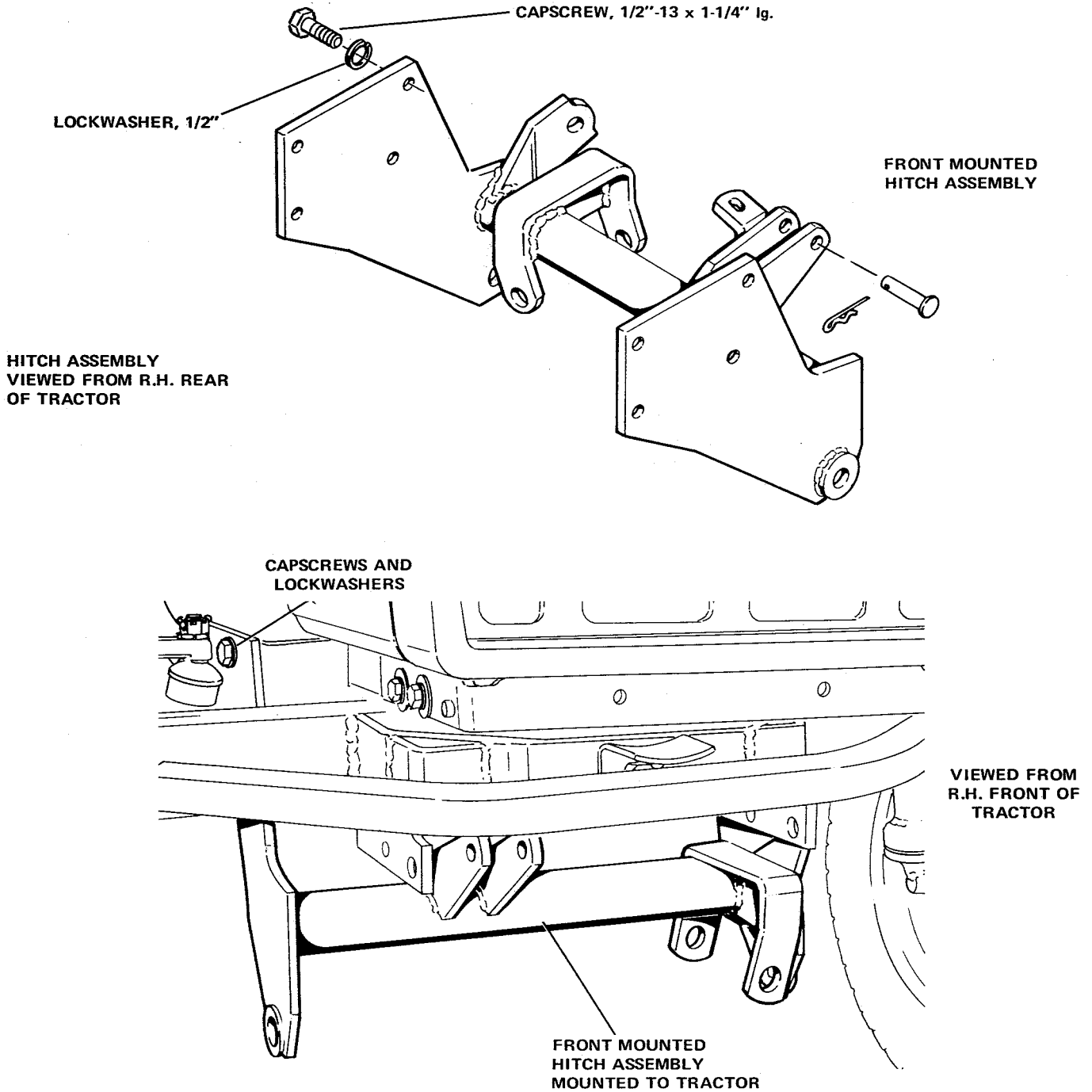


OPERATOR'S MANUAL  
MFG. NO. 1600202  
FRONT MOUNTED HITCH INSTALLATION

Install the front mounted hitch assembly to the front of the tractor with eight capscrows, 1/2"-13 x 1-1/4" lg. and eight lockwashers 1/2", and torque to the grade 5 specifications.



SPECIFICATIONS SUBJECT TO CHANGE WITHOUT NOTICE

FORM - 1651582  
PRINTED IN U.S.A  
7411

## Free Manuals Download Website

<http://myh66.com>

<http://usermanuals.us>

<http://www.somanuals.com>

<http://www.4manuals.cc>

<http://www.manual-lib.com>

<http://www.404manual.com>

<http://www.luxmanual.com>

<http://aubethermostatmanual.com>

Golf course search by state

<http://golfingnear.com>

Email search by domain

<http://emailbydomain.com>

Auto manuals search

<http://auto.somanuals.com>

TV manuals search

<http://tv.somanuals.com>