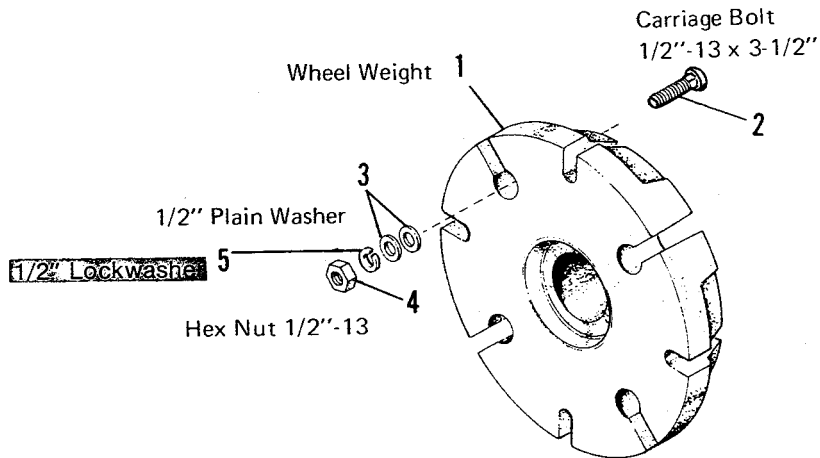


## MFG. NO. 1600222 WHEEL WEIGHT

The wheel weight as illustrated below is shown as a left side installation. Only in a case where agricultural tires and wheels are turned around so the deep dish faces the tractor, will the weight be flat side, to the inside. In all other cases the flat side of the wheel weight will be to the outside. Hardware will always be in the same sequence. The carriage bolt will come from the inside, through the wheel and the weight and then be secured with two plain washers, a lockwasher and a nut.



FORM - 1654241  
PRINTED IN U.S.A.  
7410

## Free Manuals Download Website

<http://myh66.com>

<http://usermanuals.us>

<http://www.somanuals.com>

<http://www.4manuals.cc>

<http://www.manual-lib.com>

<http://www.404manual.com>

<http://www.luxmanual.com>

<http://aubethermostatmanual.com>

Golf course search by state

<http://golfingnear.com>

Email search by domain

<http://emailbydomain.com>

Auto manuals search

<http://auto.somanuals.com>

TV manuals search

<http://tv.somanuals.com>