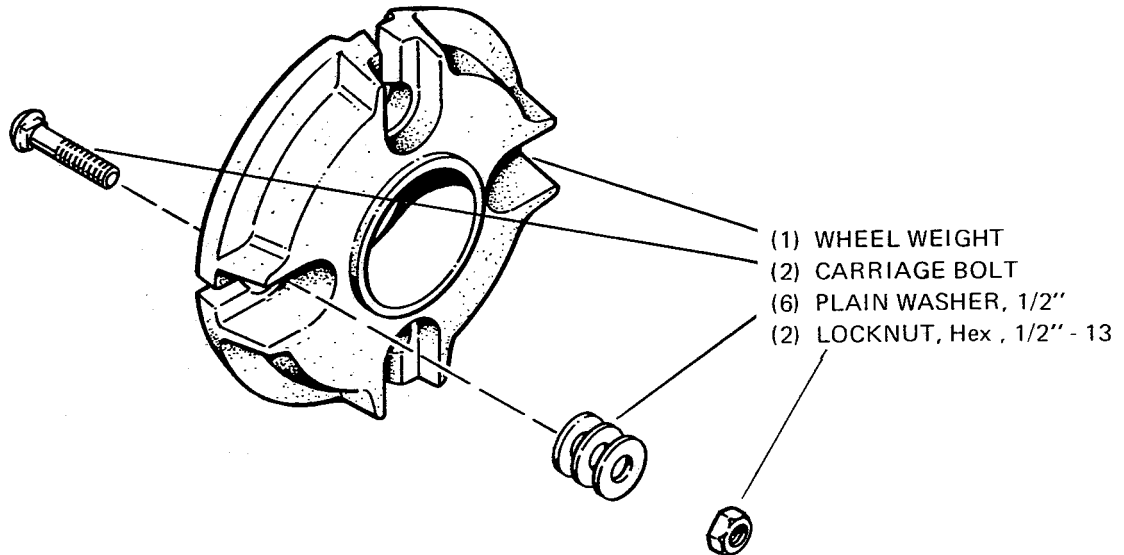


OPERATOR'S MANUAL
WHEEL WEIGHT — MFG. NO. 1600240

Extend bolt from inside of wheel then
attach with washer and hex nut.



FORM — 1651483
PRINTED IN U.S.A.
7410

OPERATOR'S MANUAL

EXTEND PROPER BOLT FROM INSIDE OF WHEEL THEN ATTACH
WITH WASHER (s) AND HEX NUT.

(2) Bolt 3/8" x 3-3/4" Lg.
(Small frame tractor
rear wheel)

(1) Wheel Weight

(2) Bolt 3/8" x 5-1/2" Lg.
(Large frame tractor
front wheel)

(2) 3/8" Washer

(2) 3/8" Hex Nut

FORM — 1651484
PRINTED IN U.S.A.
7410

Free Manuals Download Website

<http://myh66.com>

<http://usermanuals.us>

<http://www.somanuals.com>

<http://www.4manuals.cc>

<http://www.manual-lib.com>

<http://www.404manual.com>

<http://www.luxmanual.com>

<http://aubethermostatmanual.com>

Golf course search by state

<http://golfingnear.com>

Email search by domain

<http://emailbydomain.com>

Auto manuals search

<http://auto.somanuals.com>

TV manuals search

<http://tv.somanuals.com>