

ASSEMBLY INSTRUCTIONS ELECTRIC STARTER KIT, 12 VOLT  
MFG. NO. 1600312

1. Remove the rear hood which is secured by three thumb screws.
2. Remove the seat assembly which is held on by four nuts and lock washers.

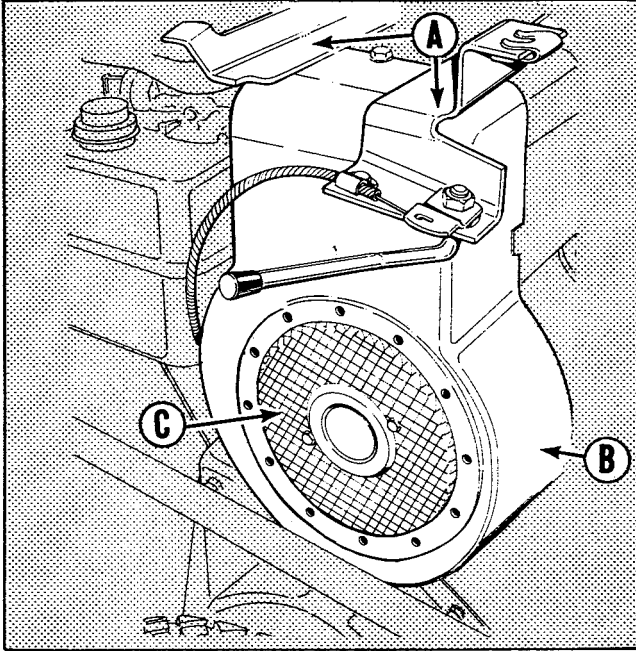


FIGURE 1

3. Remove the hood cover bracket (A) engine cover (B), and flywheel screen (C) (See Figure 1). The hood cover brackets are secured by two capscrews each, the engine cover by three capscrews (two at the bottom of the cover and one at the top) and the flywheel screen by two self-tapping screws.

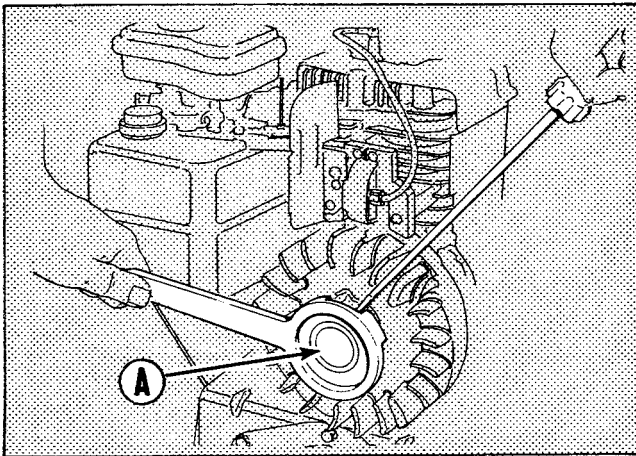


FIGURE 2

4. Remove the special flywheel retainer (A) (see figure 2). This is done by holding the flywheel in a stationary position and turning the retainer counterclockwise. A special Briggs & Stratton tool is used for this purpose, however, a pipe wrench can be substituted

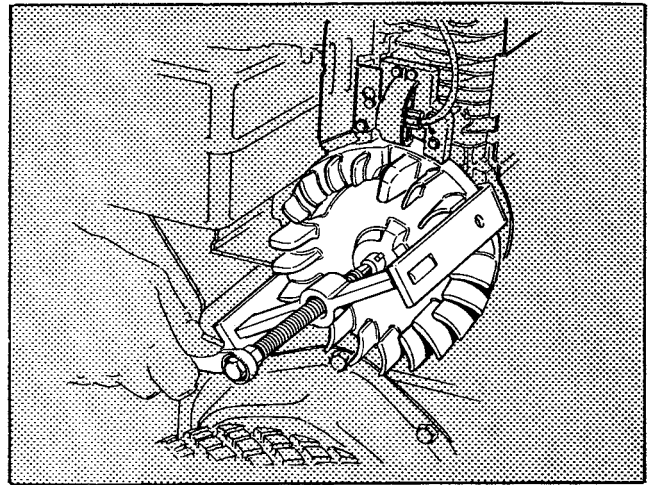


FIGURE 3

5. Remove the flywheel by using a gear puller as illustrated. (See figure 3).
6. Replace the items removed in steps 3, 4, and 5, substituting the new flywheel supplied in the starter kit for the original flywheel on the engine.

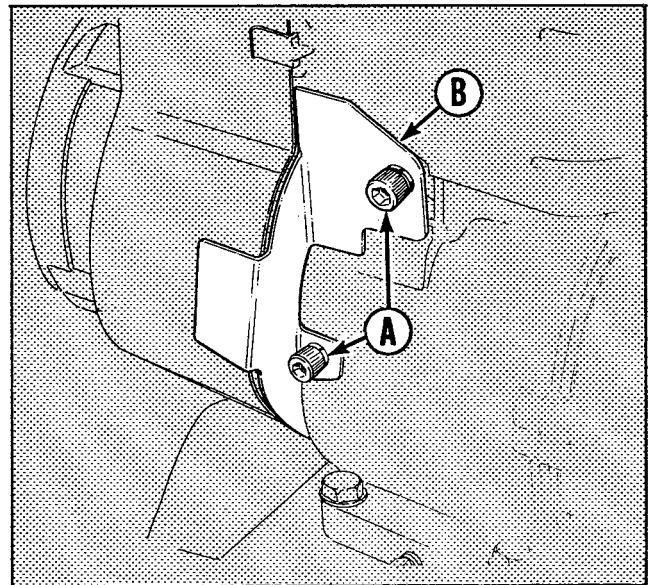


FIGURE 4

7. Remove the two Allen screws (A) and engine cover plate (B) from the front of the engine. (See figure 4.)
8. Install the battery support bracket (A) between the tractor frame and the right hand rear handle using the hardware provided. (See figure 5.)
9. Install the starter motor (A) against the engine using the long (B) and short (C) bolts provided. The motor is installed using the two holes vacated by the engine cover plate. (See figure 6.)
10. Install the wiring harness by proceeding as outlined and referring to the illustration. (See figure 7.)
  - A - Secure the red wire to the top terminal of the ignition switch.

- B – Secure the black wire to the bottom terminal of the ignition switch.
- C – Install the other end of the black wire on the starter motor terminal.
- D – Ground the white wire on the starter motor case by installing it under the small bolt on the starter.
- E – Install the charger plug on the battery support bracket, making sure it is installed with the male receptacle down and female up.

11. Install the battery with the negative terminal towards the front of the tractor, secure with the battery hold (A) down as illustrated. Install the white and green wires to the negative terminal (B) and then the red wire to the positive terminal (C). (See figure 8.)

12. Reinstall the seat assembly and the rear hood.

#### STARTING PROCEDURES

Use the same throttle settings to start your unit with the electric start as you did with the manual start. (Refer to your owners manual).

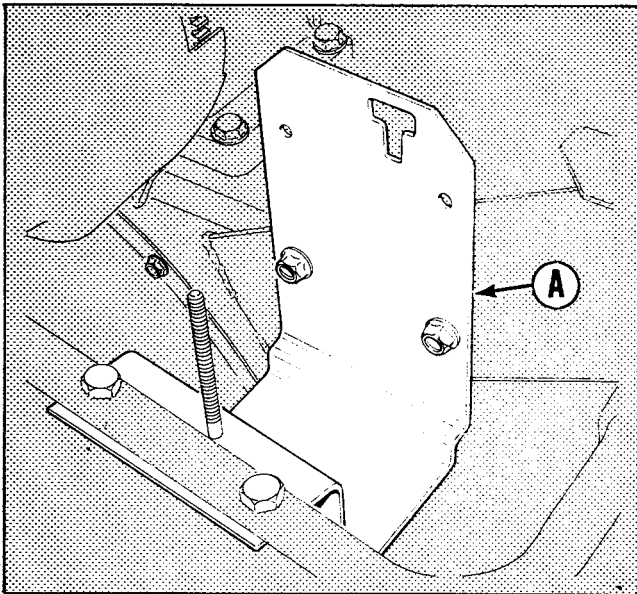


FIGURE 5

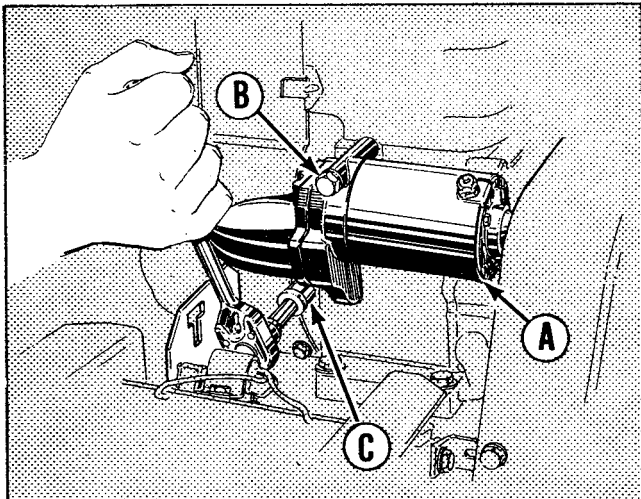


FIGURE 6

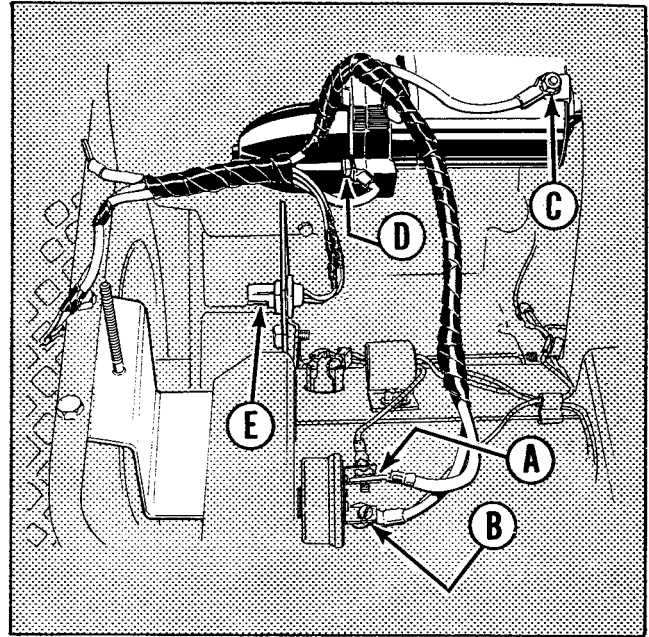


FIGURE 7

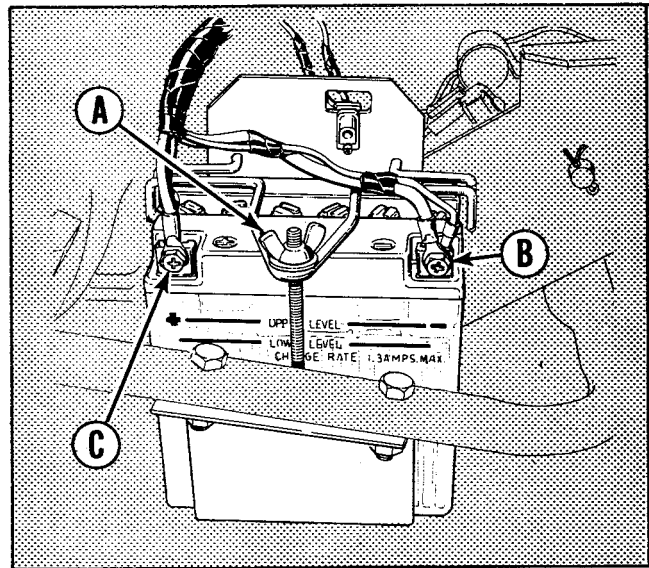


FIGURE 8

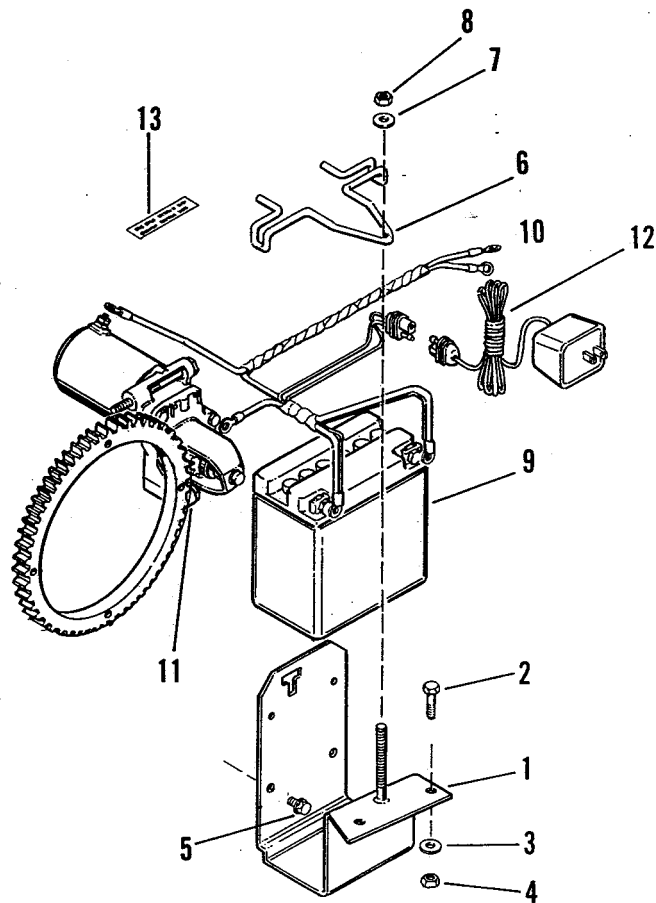
#### MAINTENANCE:

Maintain the battery water level at the position indicated on the battery case.

The battery is recharged by inserting the charger plug (Item 12 on the illustration) into the receptacle on the tractor and plugging the opposite end into a standard 110V wall socket.

The battery should be charged for 48 hours before and after periods of storage or long unuse. Otherwise a 24 hour charge once a month is sufficient.

## 12 VOLT STARTER KIT



Ref. No.	Part No.	Qty.	Description
1	176799	1	BATTERY SUPPORT ASSY.
2	921977	2	CAPSCREW, Hex, 5/16"-18 x 1-1/4" lg.
3	917642	2	WASHER, Flat, 5/16"
4	923362	2	NUT, Hex, full, lock, 5/16"-18
5	925359	2	SCREW, Washer, Hd. Taptite 5/16"-18 x 3/4" lg.
6	174412	1	BATTERY HOLD DOWN
7	917377	1	WASHER, Flat, 1/4"
8	923358	1	NUT, Hex, Full, Lock, 1/4"-20
9	174648	1	BATTERY
10	176627	1	HARNESS ASSEMBLY
11	1608612	1	KIT, Starter
12	170046	1	BATTERY CHARGER
13	174885	1	FILM, Ignition
14	917642	2	WASHER, Flat, 5/16"

## Free Manuals Download Website

<http://myh66.com>

<http://usermanuals.us>

<http://www.somanuals.com>

<http://www.4manuals.cc>

<http://www.manual-lib.com>

<http://www.404manual.com>

<http://www.luxmanual.com>

<http://aubethermostatmanual.com>

Golf course search by state

<http://golfingnear.com>

Email search by domain

<http://emailbydomain.com>

Auto manuals search

<http://auto.somanuals.com>

TV manuals search

<http://tv.somanuals.com>