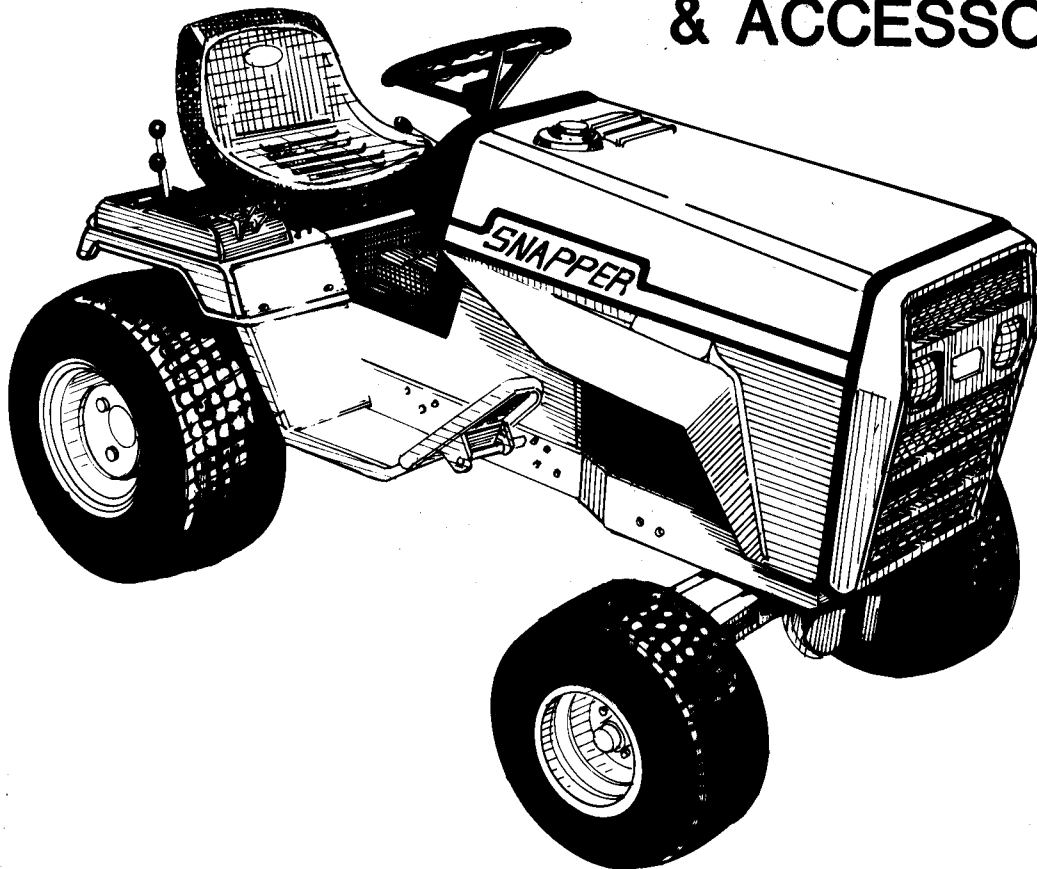


Parts Manual  
for

# SNAPPER®

## 1650 SERIES TRACTORS & ACCESSORIES



IT IS THE POLICY OF McDONOUGH POWER EQUIPMENT TO IMPROVE ITS PRODUCTS WHENEVER IT IS POSSIBLE AND PRACTICAL TO DO SO. WE RESERVE THE RIGHT TO MAKE CHANGES OR ADD IMPROVEMENTS AT ANY TIME WITHOUT INCURRING ANY OBLIGATION TO MAKE SUCH CHANGES ON PRODUCTS MANUFACTURED PREVIOUSLY.

**SNAPPER POWER EQUIPMENT**  
McDonough, GA • 30253

E-I

FUQUA  
INDUSTRIES  
Company

1-3709

MANUAL 06025

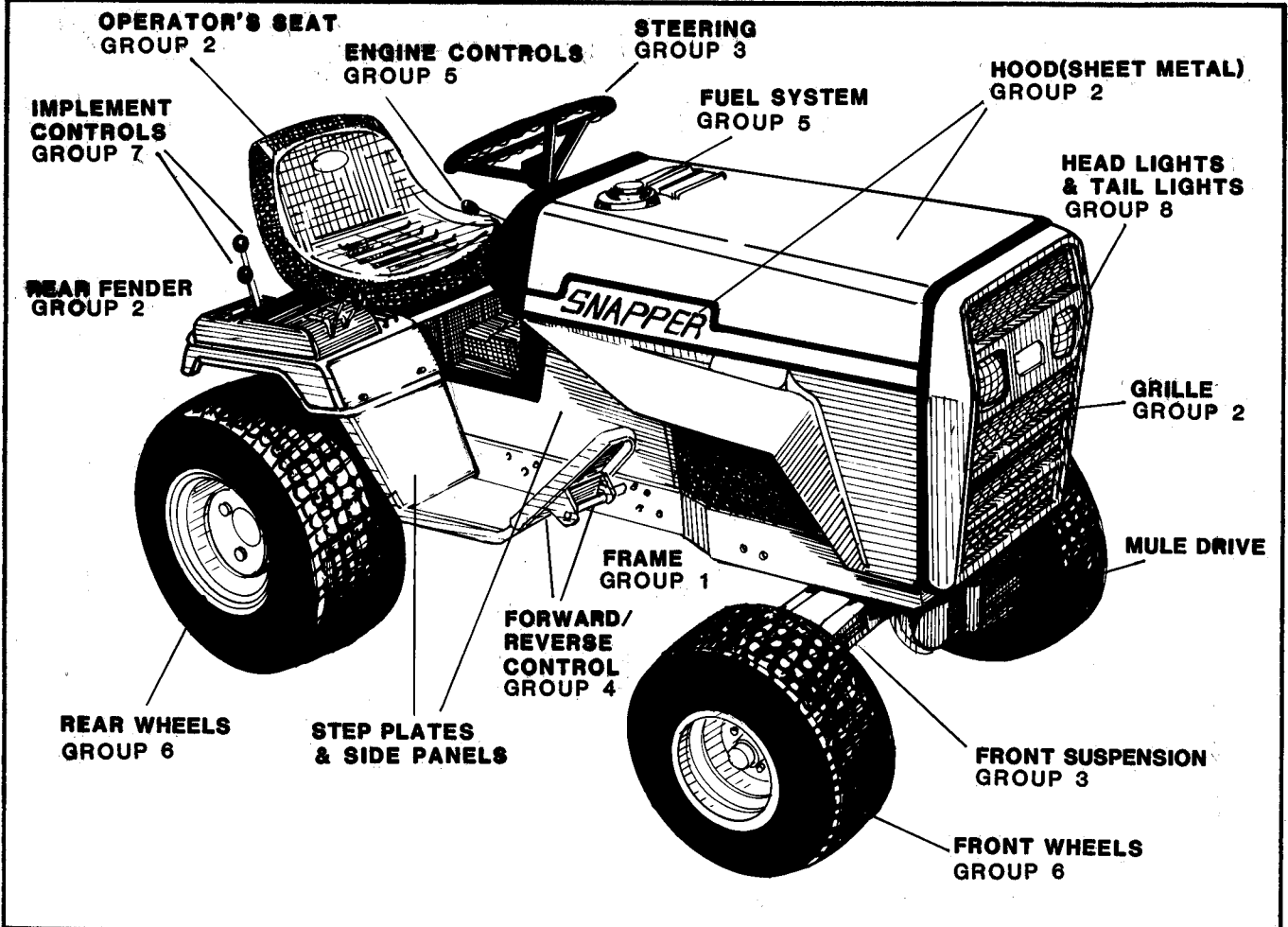
PRINTED 1-80 (CN)

Download from [Www.Somanuals.com](http://Www.Somanuals.com). All Manuals Search And Download.

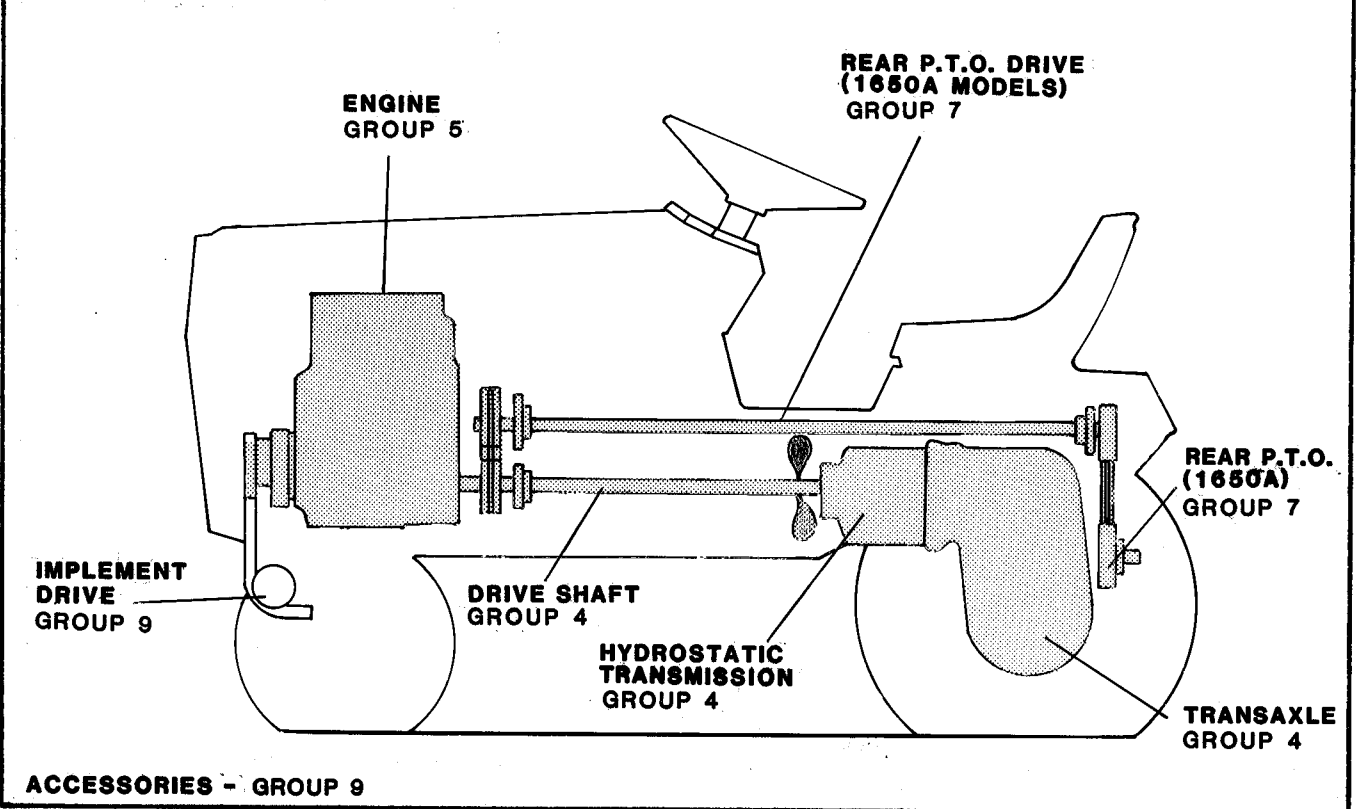
PRINTED IN U.S.A.

# PARTS GROUP INDEX

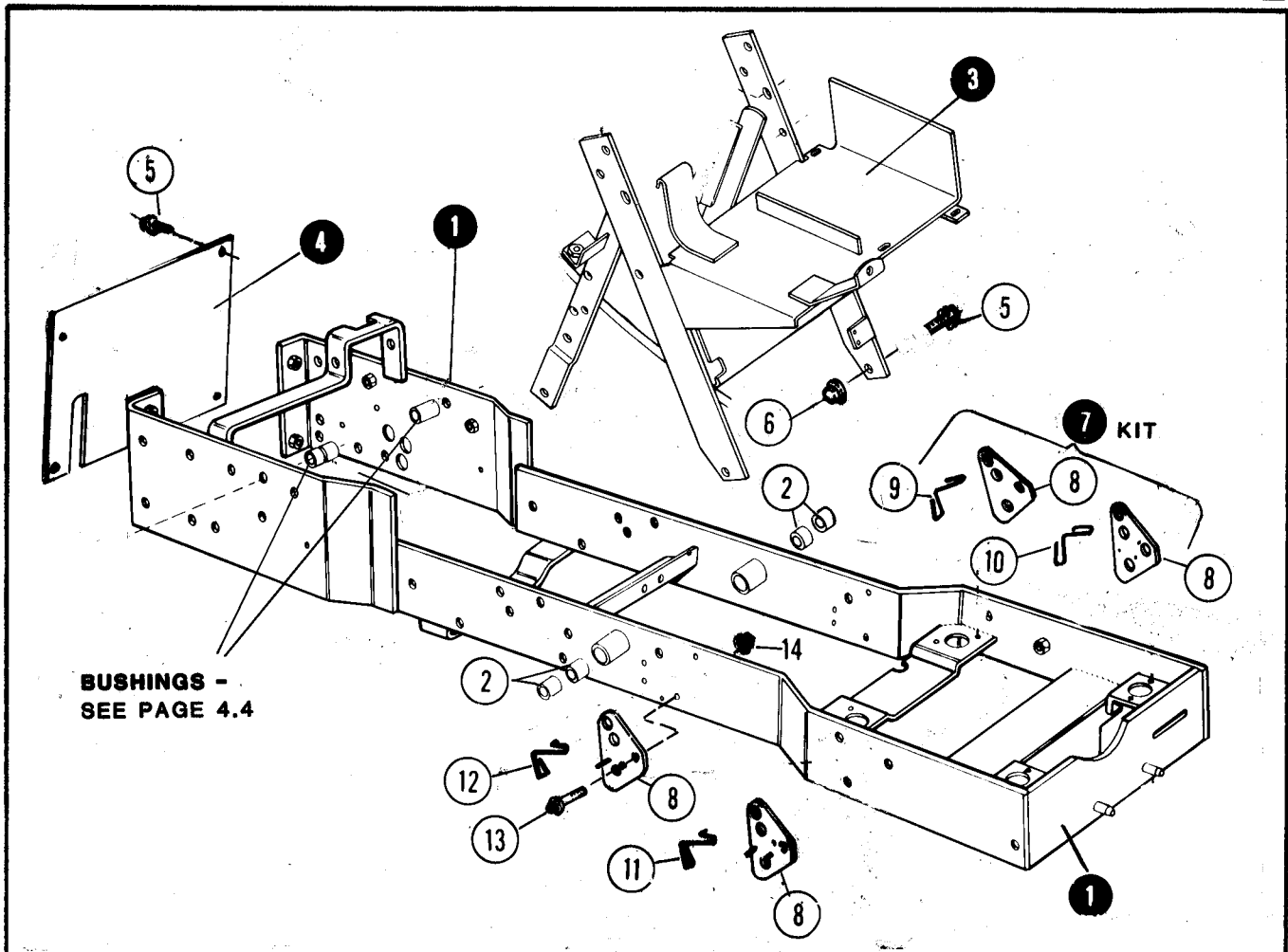
# 1650 SERIES



## DRIVE SYSTEM & ENGINE



# FRAME



**BUSHINGS -  
SEE PAGE 4.4**

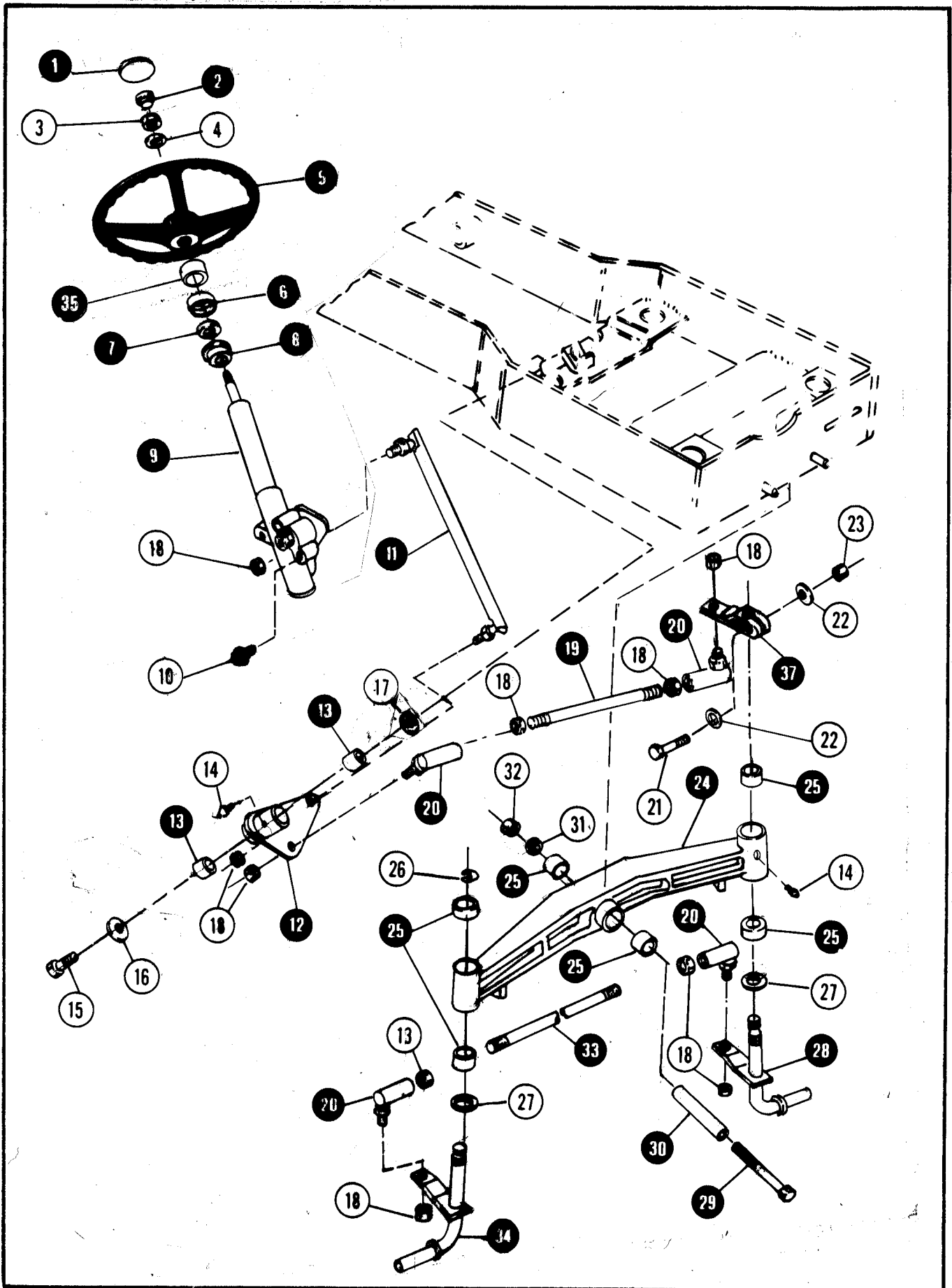
ITEM	PART NO.	DESCRIPTION
1	5-9805	FRAME ASSEMBLY (INCLUDES 4 ITEM 2)
2	1-2706	BUSHING
3	4-9841	PEDESTAL FRAME
4	3-9679	PLATE, REAR COVER (1650 ONLY - SEE PAGE 7.1 for 1650A)
5	9-0582	BOLT, 3/8C x 1 FLANGE
6	9-0613	NUT, 3/8C FLANGE LOCK
7	6-0448	KIT, IMPLEMENT MOUNTING (INCLUDES ITEM 8 THRU 14)
8	5-9554	BRACKET, LINK PIVOT (4)
9	1-9591	SPRING, LEFT REAR
10	1-9593	SPRING, LEFT FRONT
11	1-9590	SPRING, RIGHT FRONT
12	1-9592	SPRING, RIGHT REAR
13	9-0661	BOLT, 5/16-18 x 1 HEX FLANGE LOCK (8)
14	9-0585	NUT, 5/16-18 HEX LOCK (8)



# HOOD, GRILLE, SIDE PANELS

ITEM	PART NO.	DESCRIPTION
1	1-9823	COWL, INSTRUMENT DASH
2	1-2676	TRIM, COWL MOLDING
3	1-9549	REINFORCEMENT, COWL
4	1-9826	DECAL, INSTRUMENT DASH
5	5-1240	HOOD-PANEL (INCLUDES ITEMS 7,8,18)
6	1-8254	STRAP, HOOD RETAINER
7	1-9932	DECAL, SNAPPER RIGHT SIDE HOOD
8	1-9933	DECAL SNAPPER LEFT SIDE HOOD
9	1-9860	PANEL CENTER ACCESS CONSOLE
10	1-8255	DECAL, CAUTION
11	1-9559	DECAL, CONSOLE - OPERATING INSTRUCTION
12	4-9830	PANEL, RIGHT SIDE
13	4-9829	PANEL, LEFT SIDE
14	3-9849	PLATE, RIGHT STEP
15	1-9557	TREAD, RIGHT PLATE
16	3-9848	PLATE, LEFT STEP
17	1-9536	TREAD, LEFT STEP PLATE
18	1-9538	INSULATION, HOOD - PANEL
19	4-9817	GRILLE - SCREEN ASSEMBLY
20	4-9818	BRACE, HOOD
21	4-9816	GRILLE -PANEL ASSEMBLY
22	1-2923	DECAL, 1650 SERIES IDENTIFICATION
23	1-8253	TRIM. HOOD - GRILLE MOLDING
24	3-2023	HINGE HOOD TILT
25	1-2674	CABLE, HOLD TILT STOP
26	9-0606	BOLT, 5/16F x 5/8 HEX FLANGE
27	1-2675	LATCH, HOOD RETAINER STRAP
28	9-0595	BOLT, 5/16C x 3/4 HEX FLANGE LOCK
29	9-0585	NUT, 5/16C HEX FLANGE LOCK
30	9-0727	SCREW, PAN HEAD 5/16C x 1/2
31	9-0605	SCREW, 5/16C x 5/8 ROUND HEAD
32	9-0583	NUT, 1/4C HEX FLANGE LOCK
33	9-0372	NUT, 1/4C HEX LOCK
34	1-2671	PIN, HAIR
35	1-8257	DECAL REFUEL CAUTION
36	4-7743	BRACKET, COWL MOUNTING L.H. (RIGHT HAND - SEE PAGE 5.3)
37	9-0599	SCREW, 5/16C x 3/4 ROUND HEAD
38	9-0582	BOLT, 3/8C x 3/4 HEX
39	9-0613	NUT 3/8C HEX FLANGE LOCK
40	9-0598	WASHER, 1/4 FLAT
41	3-2024	WASHER, GRILLE SCREEN PLATE

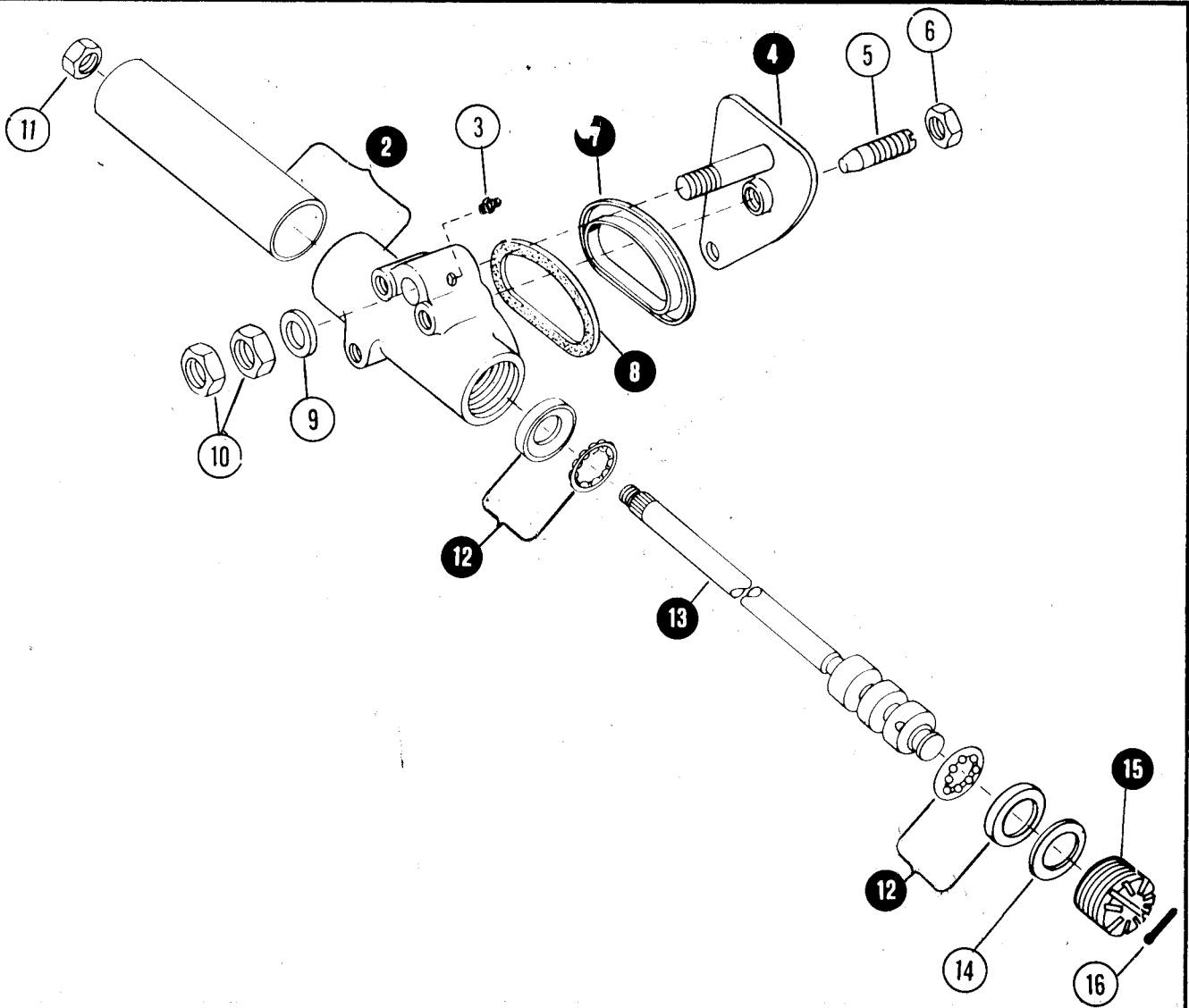
# STEERING, FRONT SUSPENSION



# STEERING, FRONT SUSPENSION

ITEM	PART NO.	DESCRIPTION
1	1-3894	PLATE, STEERING WHEEL COVER
2	1-2667	TAPER-PLUG
3	9-0278	NUT, 5/8
4	9-0183	WASHER, 5/8 FLAT
5	1-9820	WHEEL, STEERING
6	3-2013	CAP, DUST
7	1-2654	COVER, DUST
8	1-8282	BEARING, STEERING COLUMN
9	1-9864	ASSEMBLY, STEERING GEAR (SEE PAGE 3.3 FOR BREAKDOWN)
10	9-0582	CAPSCREW, 3/8-16 x 1
11	1-8284	TIE-ROD, GEAR TO BELLCRANK
12	5-7254	ASSEMBLY, BELLCRANK (INCLUDES 2 ITEM 13 & 1 ITEM 14)
13	1-8289	BEARING, SLEEVE (QTY. 2)
14	1-0817	FITTING, DRIVE-IN GREASE
15	9-0612	CAPSCREW, 3/8C x 3/4 HEX LOCK
16	3-7776	WASHER, THRUST
17	1-2704	WASHER, THRUST
18	9-0559	NUT, 1/2-20 (QTY. 10)
19	1-8280	TIE-ROD, UPPER
20	1-8278	BALL JOINT (QTY. 4)
21	9-0588	CAPSCREW, 3/8C x 2
22	3-2012	WASHER, 13/32 x 1 x 1/8
23	9-0504	NUT, 3/8C HEX
24	5-9802	ASSEMBLY, FRONT AXLE (INCLUDES 6 ITEM 25, 3 ITEM 14)
25	1-2706	BUSHING, AXLE
26	1-2705	RING, SNAP
27	3-2027	WASHER, THRUST (QTY. 2)
28	4-9581	SPINDLE, LEFT (KING PIN)
29	9-0621	CAPSCREW, 1/2C x 5 - 1/4 HEX HEAD
30	2-1789	JOURNAL, PIVOT
31	9-0258	NUT, 1/2C HEX
32	9-0625	NUT, 1/2C HALF-HEX
33	1-8279	TIE-ROD, LOWER
34	4-9582	SPINDLE, RIGHT (KING PIN)
35	1-2677	SLEEVE, STEERING

# STEERING GEAR

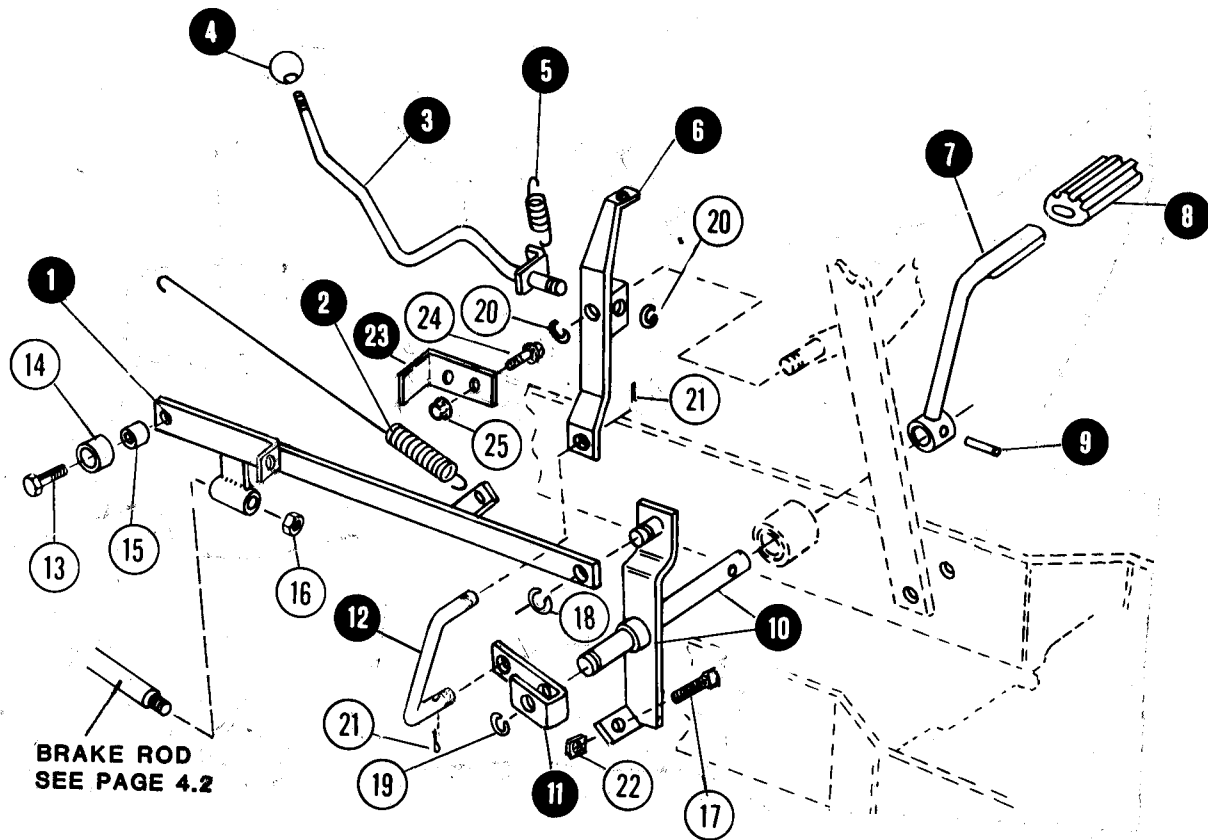


ITEM	PART NO.	DESCRIPTION
1	1-9864	STEERING GEAR ASSEMBLY (INCLUDE FOLLOWING)
2	1-3713	HOUSING, STEERING GEAR
3	1-3714	FITTING, GREASE 1/4 STRAIGHT DRIVE
4	1-2957	LEVER, STEERING
5	1-3059	STUD, STEERING LEVER ADJUSTING
6	1-3716	NUT, 9/16F HEX
7	1-3058	RETAINER, STEERING LEVER ADJUSTING
8	1-3717	SEAL, STEERING LEVER
9	1-3718	WASHER, STEERING LEVER
10	9-0283	NUT, 3/4F HALF HEX (TWO REQ'D)
11	9-0278	NUT, 5/8F HEX
12	1-3715	KIT, BEARING REPLACEMENT (INCLUDES CUP & BRG.)
13	- - *	CAM-TUBE ASSEMBLY
14	1-3719	WASHER, BELLEVILLE
15	1-3057	PLUG, CAM-TUBE ADJUSTING
16	1-3720	COTTER-PIN, 1/8. x 1/2

\*ORDER 1-9864 ASSEMBLY (ITEM 1)



# CONTROLS - TRANSMISSION & BRAKE

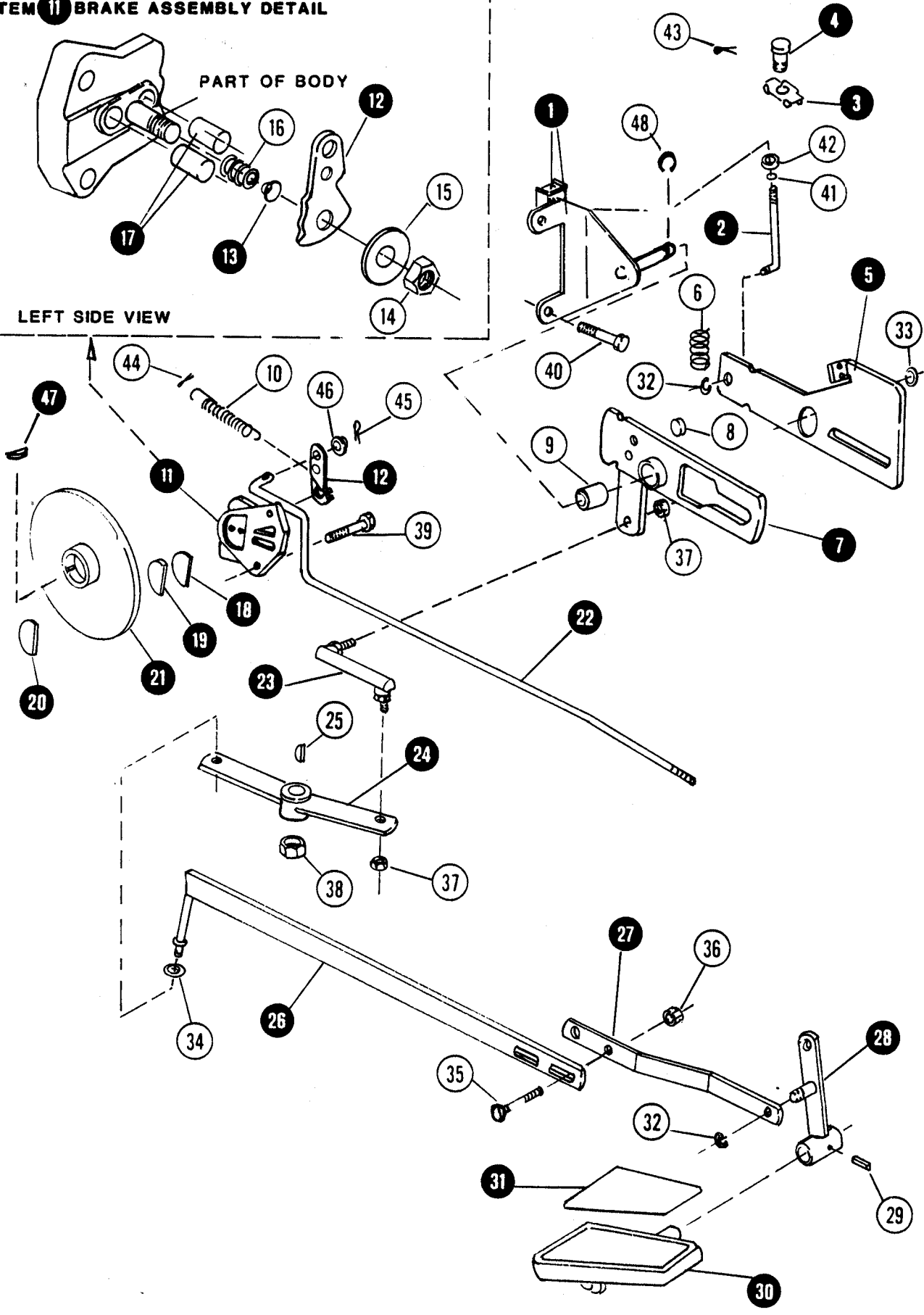
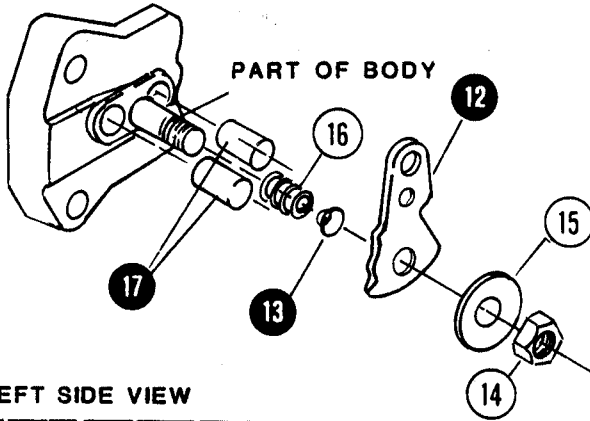


BRAKE ROD  
SEE PAGE 4.2

ITEM	PART NO.	DESCRIPTION
1	4-9663	STRAP BRAKE AND SELECTOR - ASSEMBLY
2	1-8325	SPRING, STRAP RETURN
3	4-9593	LEVER, SPEED SELECTOR SHIFT
4	1-2659	KNOB, SHIFT LEVER
5	1-8299	SPRING, SELECTOR LEVER TENSION
6	4-9605	LEVER, SELECTOR
7	4-7749	PEDAL, PARKING BRAKE
8	1-2661	PAD, PEDAL
9	1-2701	PIN, GROOVE (1/4 x 1-1/4)
10	4-9606	SHAFT, PEDAL
11	3-7839	LINK, PEDAL SHAFT - SELECTOR
12	1-8324	LINK, SELECTOR
13	9-0580	BOLT, 1/4C x 3/4 HEX HEAD
14	2-7540	ROLLER, NEUTRAL RETURN
15	2-7541	SPACER, STEEL
16	9-0194	NUT, 5/16C HEX LOCK
17	1-2775	SCREW, SELECTOR LINK ADJUSTER
18	1-2735	RING, RETAINING (for 5/16" shaft)
19	1-2696	RING, RETAINING (for 1/2" shaft)
20	1-2703	RING, RETAINING (for 3/8" shaft)
21	9-0365	COTTER-PIN, 1/8 x 3/4
22	9-0628	NUT, 5/16C MACHINE SCREW
23	1-2948	ACTIVATOR, SHIFT INTERLOCK SWITCH
24	9-0584	BOLT, 1/4-20 x 1/2 FLANGE LOCK
25	9-0583	NUT, 1/4-20 FLANGE LOCK

# TRANSMISSION & BRAKE CONTROLS

## ITEM 11 BRAKE ASSEMBLY DETAIL



# TRANSMISSION & BRAKE CONTROLS

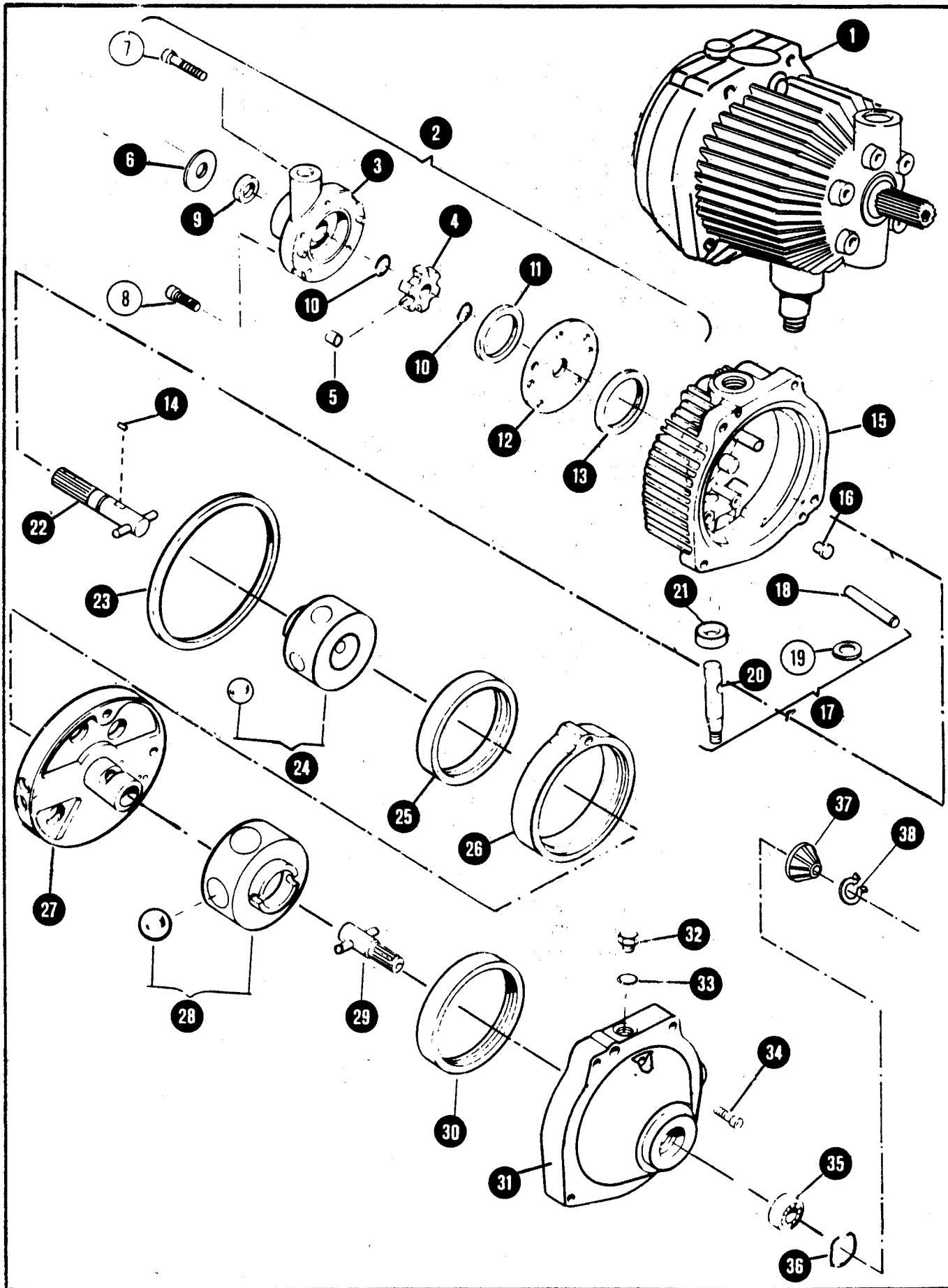
ITEM	PART NO.	DESCRIPTION
1	4-9846	BRACKET, TRUNNION MOUNTING
2	1-8320	LINK, NEUTRAL ADJUSTING
3	1-2736	RETAINER, ADJUSTING LINK
4	2-7539	STUD, ADJUSTING
5	3-9667	GUIDE, ROLLER
6	1-8321	SPRING, NEUTRAL RETURN
7	5-1217	CAM, NEUTRAL RETURN - ASSEMBLY (INCLUDES BEARING)
8	1-8322	PLUG, FRICTION
9	1-2784	BEARING, PART OF ITEM 7
10	1-8312	SPRING, BRAKE RETURN
11	5-1048	BRAKE ASSEMBLY (INCLUDES ITEMS 12 THRU 20)
12	1-3695	CAM
13	1-3696	FERRULE
14	1-2965	NUT, CAM RETAINING
15	1-2966	WASHER THRUST
16	1-3697	SPRING, PUSH PIN
17	1-3698	PIN, PUSH (2)
18	1-3699	DISC, PAD BACK-UP
19	1-3700	PAD, FRICTION
20	1-3701	PAD, FRICTION
21	4-9602	DISC ASSEMBLY
22	1-9869	ROD, AXLE BRAKE
23	1-8333	LINK, TRANSMISSION LEVER
24	4-9613	LEVER, DIRECTIONAL CONTROL
25	1-2782	KEY, WOODRUFF
26	4-9845	LINK, REAR CONTROL
27	3-7855	LINK, FRONT CONTROL
28	4-9597	LEVER, PEDAL PIVOT
29	1-2701	PIN, GROOVE 1/4 x 1.25"
30	4-9833	PEDAL, DIRECTIONAL CONTROL
31	1-9840	TREAD, CONTROL PEDAL
32	1-2735	RING, RETAINING
33	1-2769	RING, RETAINING
34	1-2702	RING, RETAINING
35	9-0647	BOLT 1/4NF x 3/4 CARRIAGE
36	9-0653	NUT, 1/4 NF HEX
37	9-0155	NUT, 3/8C HEX
38	9-0258	NUT, 1/2C HEX
39	9-0587	BOLT, 3/8C x 1-1/4 HEX
40	9-0590	SCREW, HEX HEAD CAP 3/8-16 x 3 GR.5
41	1-2768	RING, RETAINING
42	1-9570	RING, ADJUSTING STUD
43	9 0641	COTTER-PIN, 1/16 x 1"
44	9-0650	COTTER-PIN, 5/16-1"
45	9-0555	COTTER-PIN, 3/32 x 1/2"
46	9-0055	WASHER, 1/4 FLAT
47	1-2684	KEY, WOODRUFF
48	1-2696	RING, RETAINING



# REAR AXLE & DRIVE SHAFT

ITEM	PART NO.	DESCRIPTION
1	1-9926	REAR AXLE ASSEMBLY (COMPLETE)
-	-	ORDER PARTS FROM PEERLESS (MODEL #2518)
2	1-9934	TRANSMISSION - SEE PAGE 4.7
3	1-9568	GASKET, TRANSAXLE TO REAR AXLE
4	5-9538	FAN, TRANSMISSION - ASSEMBLY (INCLUDES ITEM 30)
5	3-7921	SPACER, FAN
6	2-7502	COUPLING SHAFT
7	2-9539	SHAFT, DRIVE (NOTE FOR 1650 ONLY - SEE PAGE 7.2 FOR 1650A)
8	4-7738	ADAPTER, ENGINE
9	3-9655	BRACKET, AXLE MOUNTING (SAME ON BOTH SIDES)
10	3-9836	EXTENSION, DRAWBAR
11	4-9836	DRAWBAR ASSEMBLY
12	4-9612	LEVER, REAR AXLE SHIFT
13	1-2659	KNOB, SHIFT LEVER
14	1-9571	TUBE, TRANSMISSION DIPSTICK
15	5-9539	DIPSITCK TRANSMISSION - ASSEMBLY
16	1-2734	PIN, CLEVIS
17	1-2765	PIN, SPIROL 1/4 x 2-1/4
18	9-0037	PIN, COTTER 3/32 x 3/4
19	9-0657	SCREW, 1/2C x 7/8 FLAT HEAC (QTY. 1)
20	9-0637	BOLT, 3/8C x 2-1/2 HEX HEAD (QTY. 2)
21	9-0590	BOLT, 3/8C x 3 HEX HEAD (QTY. 2)
22	9-0656	BOLT, 1/2C x 1-1/4 HEX HEAD (QTY. 3)
23	9-0254	WASHER, 1/2 LOCK (QTY.3)
24	9-0563	BOLT, 3/8C HEX LOCK (QTY. 2)
25	9-0593	NUT, 3/8C HEX (QTY. 2)
26	9-0622	BOLT, 1/2C x 1-1/4 HEX HEAD (QTY. 4)
27	9-0619	NUT, 1/2C HEX FLANGE LOCK (QTY. 4)
28	9-0651	BOLT, 1/2C 2-3/4 HEX HEAD (QTY. 4)
29	2-7557	SPACER, AXLE MOUNTING (QTY. 2)
30	9-0638	SCREW, 1/4-20 x 5/8 SOCKET SET
31	9-0589	PIN, COTTER
32	9-0250	WASHER, 14 GAGE FLAT
33	2-7531	SPACER, LEFT SIDE REAR AXLE
34	2-7530	SPACER, RIGHT SIDE REAR AXLE
35	9-0652	BOLT, 1/2C x 3 HEX HEAD
36	9-0592	BOLT, 3/8-16 x 1 HEX SOCKET

# HYDROSTATIC TRANSMISSION

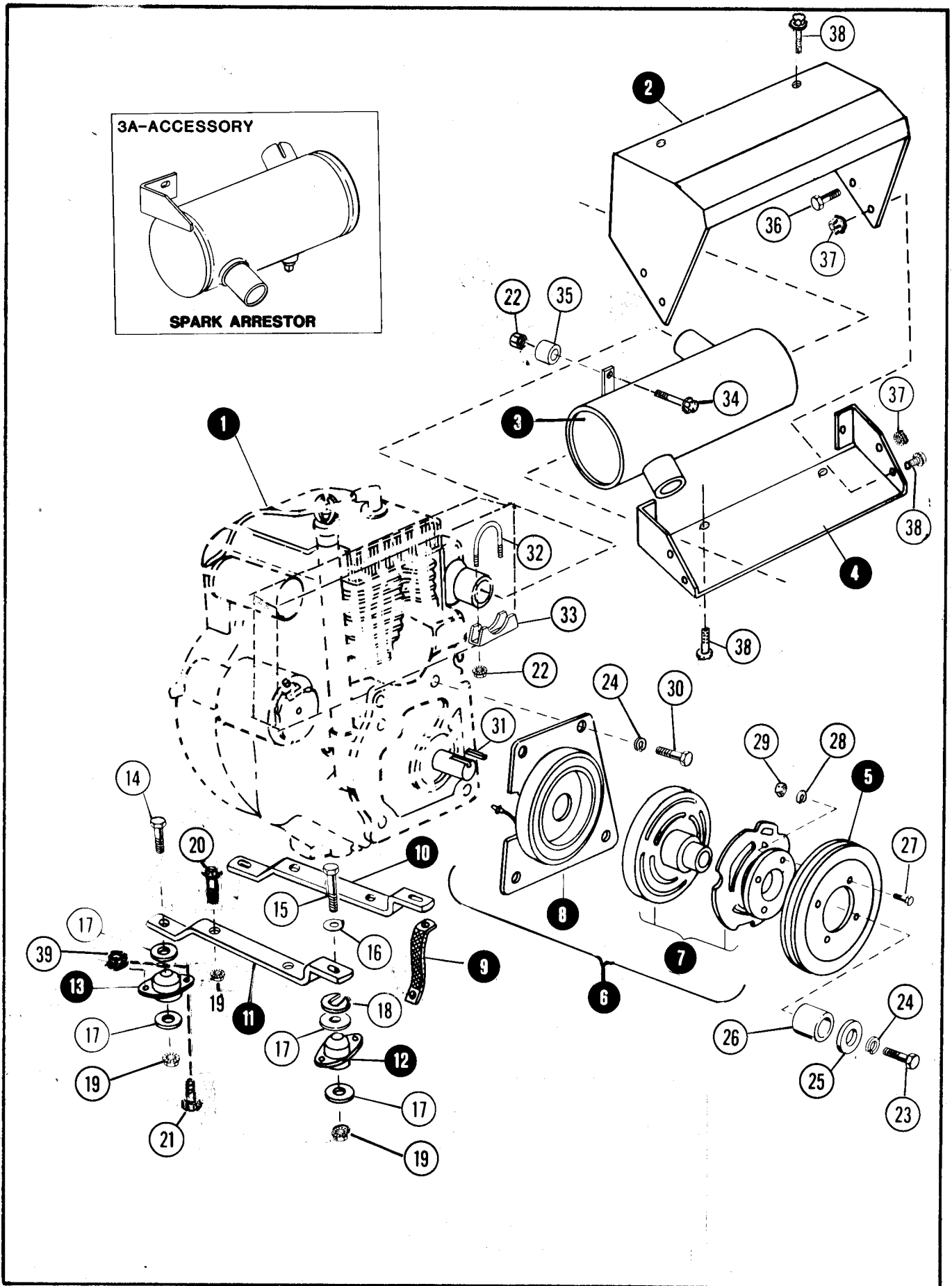
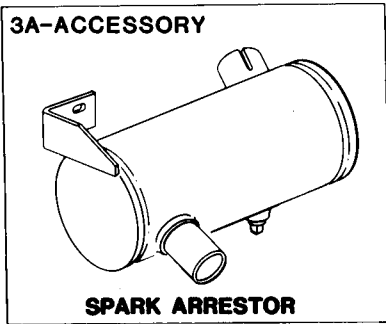


# HYDROSTATIC TRANSMISSION

ITEM	PART NO.	DESCRIPTION
1	1-9934	HYDROSTATIC TRANSMISSION (INCLUDES ITEMS THRU #36)
-	-	- EATON MODEL 1100-031
2	1-3744	KIT, CHARGE PUMP (INCLUDES ITEMS 3 THRU 14)
3	-	BODY, CHARGE PUMP (PART OF KIT ONLY)
4	-	CARRIER, CHARGE PUMP (PART OF KIT ONLY)
5	-	ROLL, CHARGE PUMP (PART OF KIT ONLY)
6	1-3730	SHIELD, GRASS
7	1-3731	SCREW, 5/16C x 1-3/4 SOCKET HEAD (QTY. 1)
8	1-3732	SCREW 5/16C x 1-1/4 SOCKET HEAD (QTY. 4)
9	1-3725	SEAL OIL
10	1-3726	RING, CARRIER SNAP (QTY. 2)
11	1-3727	RING, CHARGE PUMP SEALING
12	1-2975	PLATE, CHARGE PUMP TO COVER
13	1-3728	RING, PLATE TO COVER SEALING
14	1-3729	PIN, CHARGE PUMP DRIVE
15	1-3734	COVER ASSEMBLY, TRANSMISSION (INCLUDES ITEM 17)
16	1-3735	BUTTON, COVER DAMPENER
17	1-2973	KIT, CAM RING CONTROL (INCLUDES ITEMS 18,19,20,21)
18	-	PIN, CAM RING CONTROL (PART OF KIT ONLY)
19	-	WASHER, CONTROL (PART OF KIT ONLY)
20	-	SHAFT, CAM RING CONTROL (PART OF KIT ONLY)
21	-	SEAL, CAM RING CONTROL (PART OF KIT - SAME AS ITEM #9)
22	1-3733	SHAFT, INPUT - ASSEMBLY
23	1-3736	RING, COVER TO BODY SEALING
24	1-2972	ROTOR, BALL PUMP - ASSEMBLY
25	1-2971	RACE, PUMP
26	1-3737	RING, CAM (INCLUDES ITEM 25)
27	1-2970	PINTLE, TRANSMISSION - COMPLETE ASSEMBLY
28	1-2967	ROTOR, BALL MOTOR - ASSEMBLY
29	1-3739	SHAFT, OUTPUT - ASSEMBLY
30	1-2988	RACE, MOTOR ROTOR
31	1-2989	BODY, TRANSMISSION
32	1-2964	PLUG, O-RING (INCLUDES ITEM 33)
33	1-3743	O-RING
34	1-3732	SCREW, 5/16C x 1-1/4 SOCKET HEAD (QTY. 2)
35	1-3904	BEARING, OUTPUT SHAFT
36	1-3742	RING, RETAINING
37	1-8319	PINION-GEAR (NOT PART OF ITEM 1 - ORDER SEPARATELY)
38	1-2763	RING, RETAINING (NOT PART OF ITEM 1 - ORDER SEPARATELY)

NOTE: See page 4.4 for Rear Axle to Transmission Gasket.

# ENGINE & MOUNTING

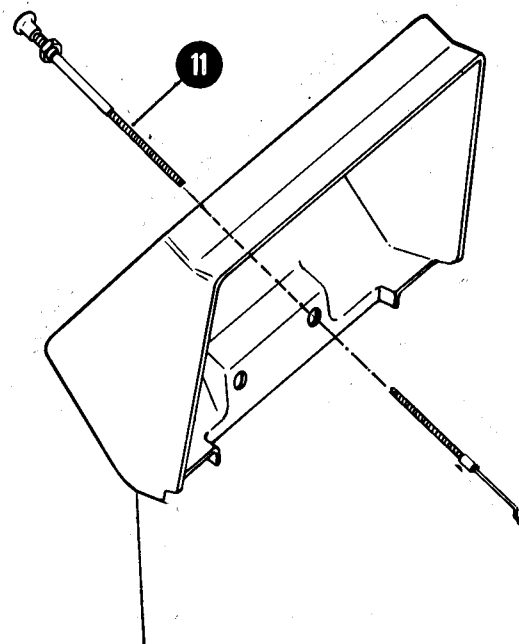
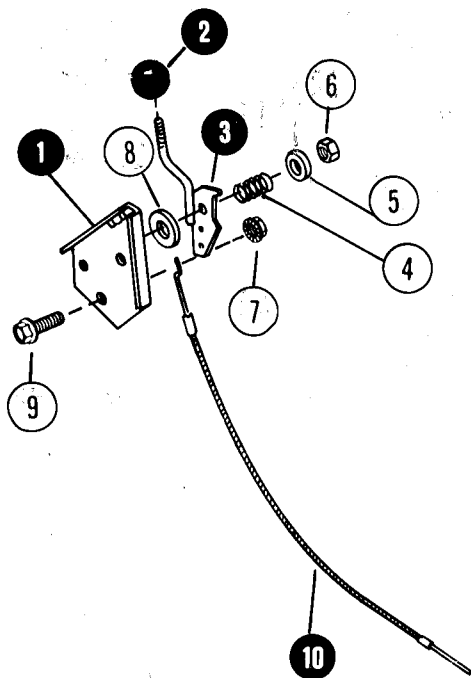




# ENGINE & MOUNTING

ITEM	PART NO.	DESCRIPTION
1	0-0024	ENGINE, KOHLER 16 HP MODEL K341QS
-	-	(NOTE PURCHASE ENGINE PARTS FROM KOHLER DEALER)
2	4-9815	SHIELD UPPER-MUFFLER HEAT
3	1-9822	MUFFLER (STANDARD)
3A	6-0382	MUFFLER, SPARK ARRESTOR (ACCESSORY ITEM)
4	3-9618	SHIELD, LOWER - MUFFLER HEAT
5	1-9531	PULLEY, DRIVE
6	1-9530	CLUTCH ASSEMBLY (INCLUDES ITEMS, 7 & 8)
7	1-3724	ROTOR ASSEMBLY
8	1-3723	FIELD ASSEMBLY
9	1-8261	STRAP, ENGINE GROUND
10	3-9623	RAIL, LEFT ENGINE MOUNTING
11	3-9622	RAIL, RIGHT ENGINE MOUNTING
12	1-8276	DAMPER, ENGINE FRONT
13	1-8404	DAMPER, ENGINE REAR
14	9-0615	BOLT, 3/8C x 2 HEX HEAD
15	9-0590	BOLT, 3/8C x 3 HEX HEAD
16	9-0122	WASHER, 3/8 SAE FLAT
17	3-2025	WASHER, DAMPER SNUBBING
18	3-7770	C-WASHER
19	9-0613	NUT, 3/8C HEX FLANGE LOCK
20	9-0659	BOLT, 3/8C x 1-1/4 HEX FLANGE LOCK
21	9-0624	BOLT, #10-24 x 3/4 FLANGE LOCK
22	9-0585	NUT, 5/16C HEX LOCK
23	9-0579	BOLT, 7/16F x 1-1/4 FLAT
24	9-0247	WASHER, 7/16 LOCK
25	3-2011	WASHER, SPECIAL FLAT
26	2-1782	SPACER, 1-1/8 x 1-3/8 x 1-1/4
27	9-0580	BOLT 1/4C x 3/4 HEX HEAD
28	9-0052	WASHER, 1/4 LOCK
29	9-0063	NUT, 1/4C HEX
30	9-0602	BOLT, 7/16C x 7/8 HEX HEAD
31	1-2653	KEY, 1/4 SQUARE x 5/8"
32	1-2657	U-BOLT
33	3-2017	CLAMP
34	9-0586	BOLT, 5/16C x 2 HEX FLANGE LOCK
35	2-1783	SPACER, STEEL
36	2-1784	BOLT, 1/4C x 3/4 DRILLED HEAD
37	9-0583	NUT, 1/4C HEX FLANGE LOCK
38	9-0584	BOLT, 1/4C x 1/2 HEX FLANGE LOCK
39	9-0623	NUT, #10-24 FLANGE LOCK

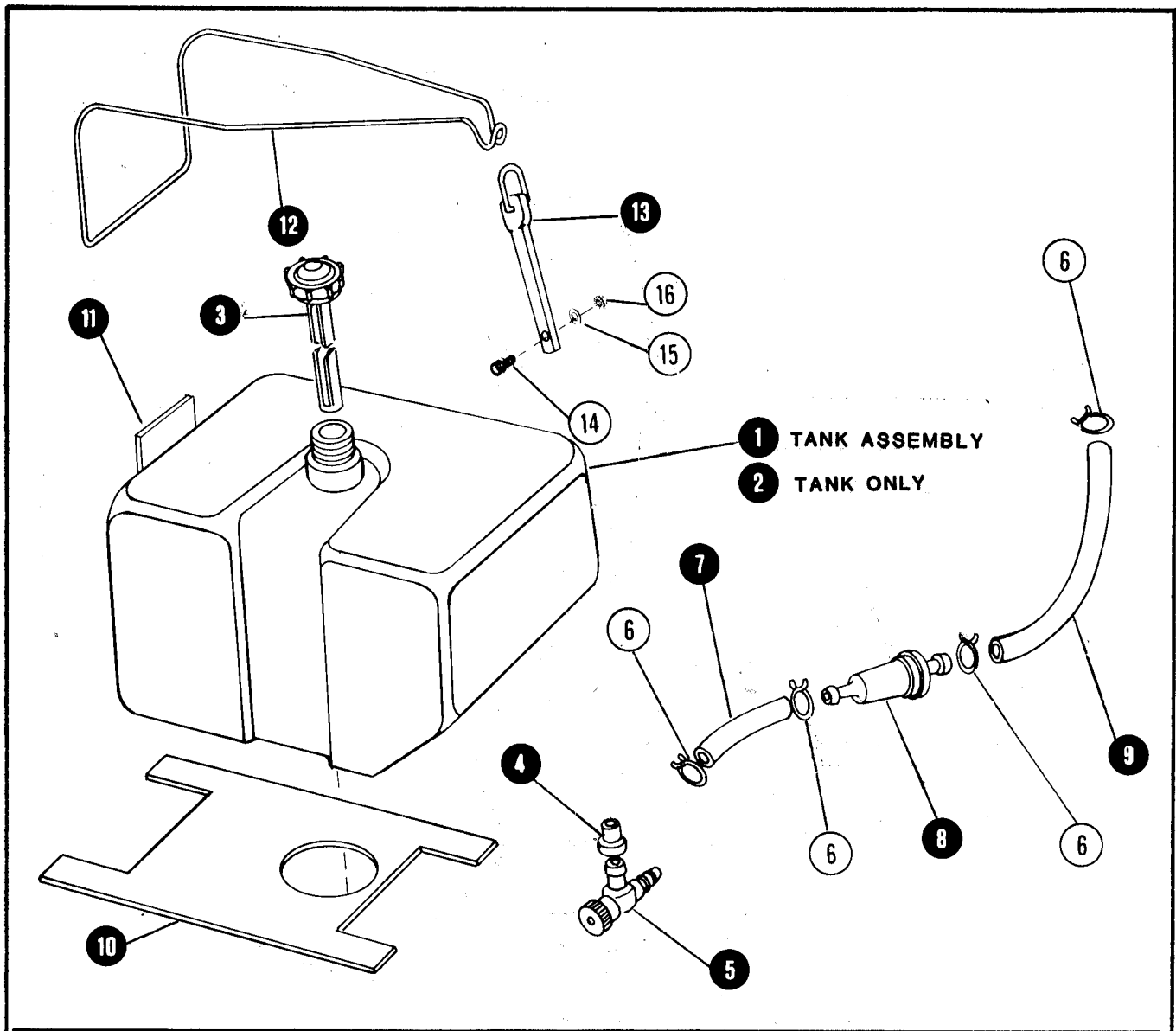
# CONTROLS: THROTTLE & CHOKE



COWL - SEE PAGE 2.3

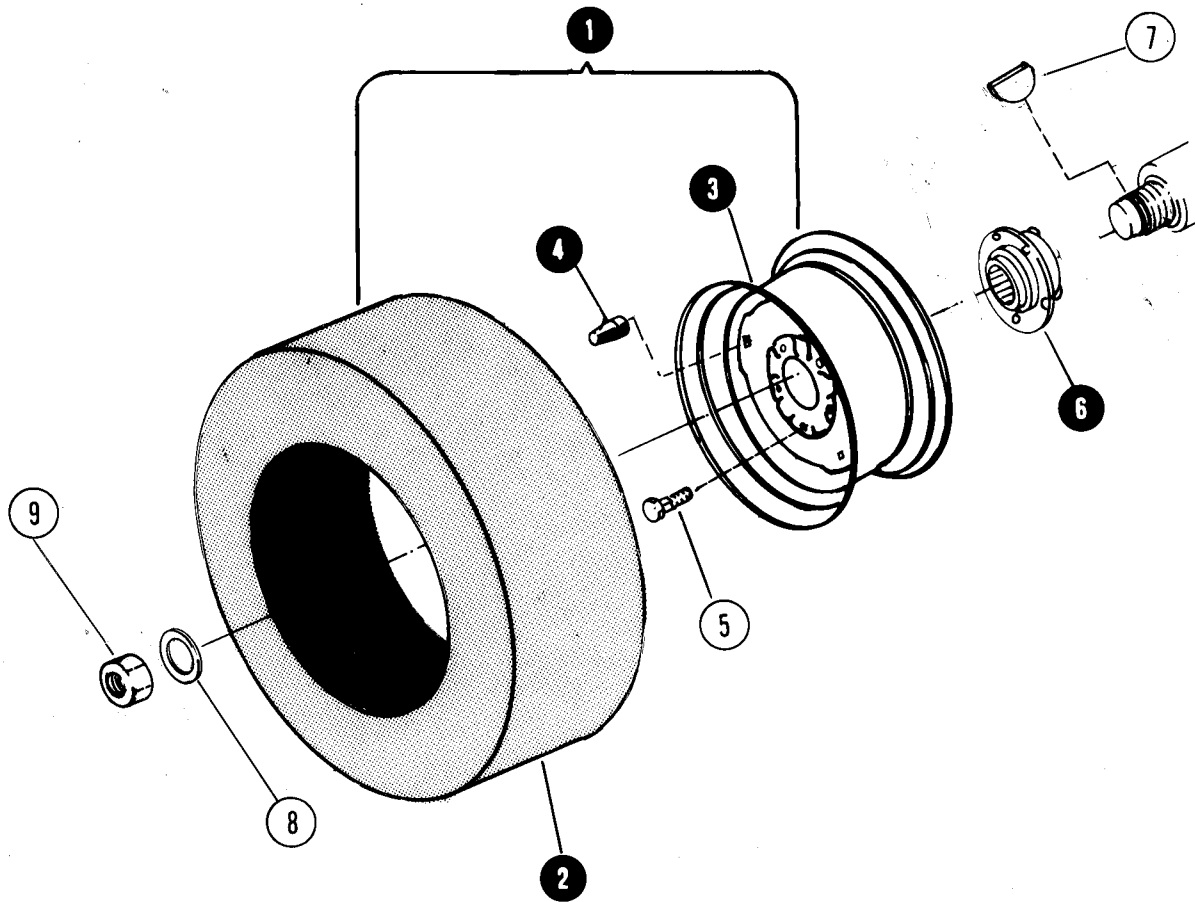
ITEM	PART NO.	DESCRIPTION
1	4-9822	BRACKET, THROTTLE CONTROL
2	1-8271	KNOB, THROTTLE ARM
3	4-9580	ARM, THROTTLE CONTROL
4	1-8267	SPRING, ARM TENSION
5	9-0188	WASHER, 5/16 FLAT
6	1-2687	NUT, 5/16C HEX LOCK
7	9-0613	NUT, 3/8C HEX FLANGE LOCK
8	1-8264	WASHER, FRICTION
9	9-0582	BOLT, 3/8C x 3/4 HEX
10	1-8266	CABLE, THROTTLE CONTROL
11	1-8268	CABLE, CHOKE CONTROL

# FUEL TANK & LINES



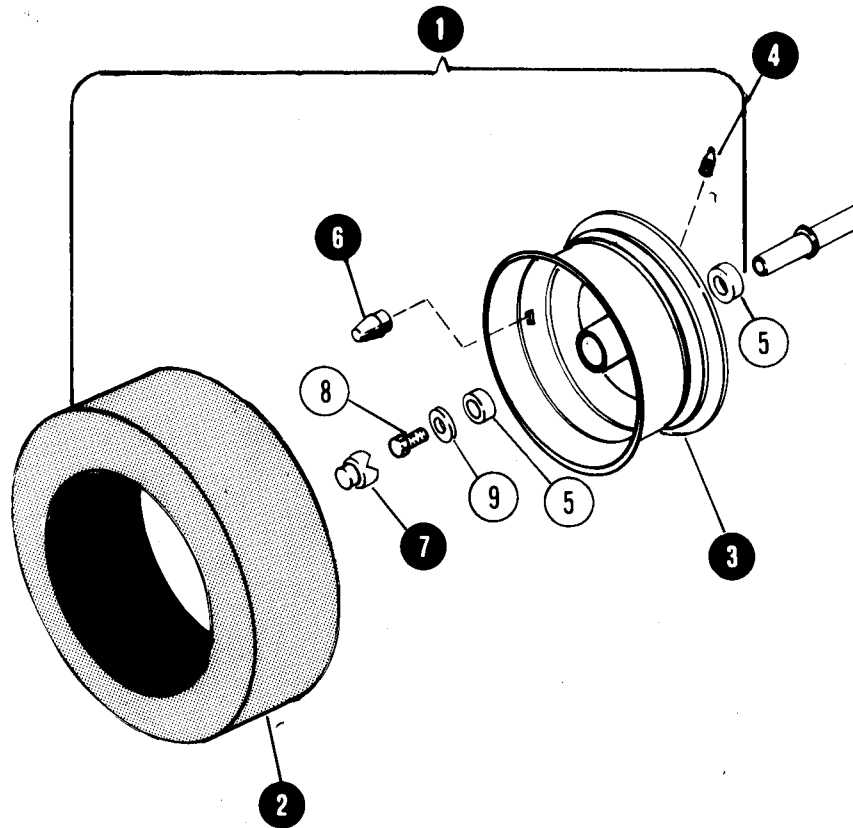
ITEM	PART NO.	DESCRIPTION
1	5-7270	FUEL TANK ASSEMBLY (INCLUDES ITEMS 2,3,4, & 5)
2	1-9821	TANK, FUEL
3	1-9533	CAP, FUEL TANK
4	1-2337	GROMMET
5	1-8248	VALVE, FUEL SHUTOFF
6	1-1137	CLAMP, HOSE
7	3-2015	LINE, UPPER FUEL - 7" LONG
8	1-8247	FILTER, IN-LINE FUEL
9	3-2016	LINE, LOWER FUEL - 13" LONG
10	1-8250	PAD, TANK INSULATOR
11	1-2665	PAD, TANK
12	1-8249	CLAMP, TANK
13	1-8251	RETAINER, TANK
14	9-0596	BOLT, 1/4C x 5/8 FLANGE LOCK
15	1-2673	WASHER, 9/32 FLAT
16	9-0372	NUT, 1/4C HEX LOCK

# REAR WHEELS



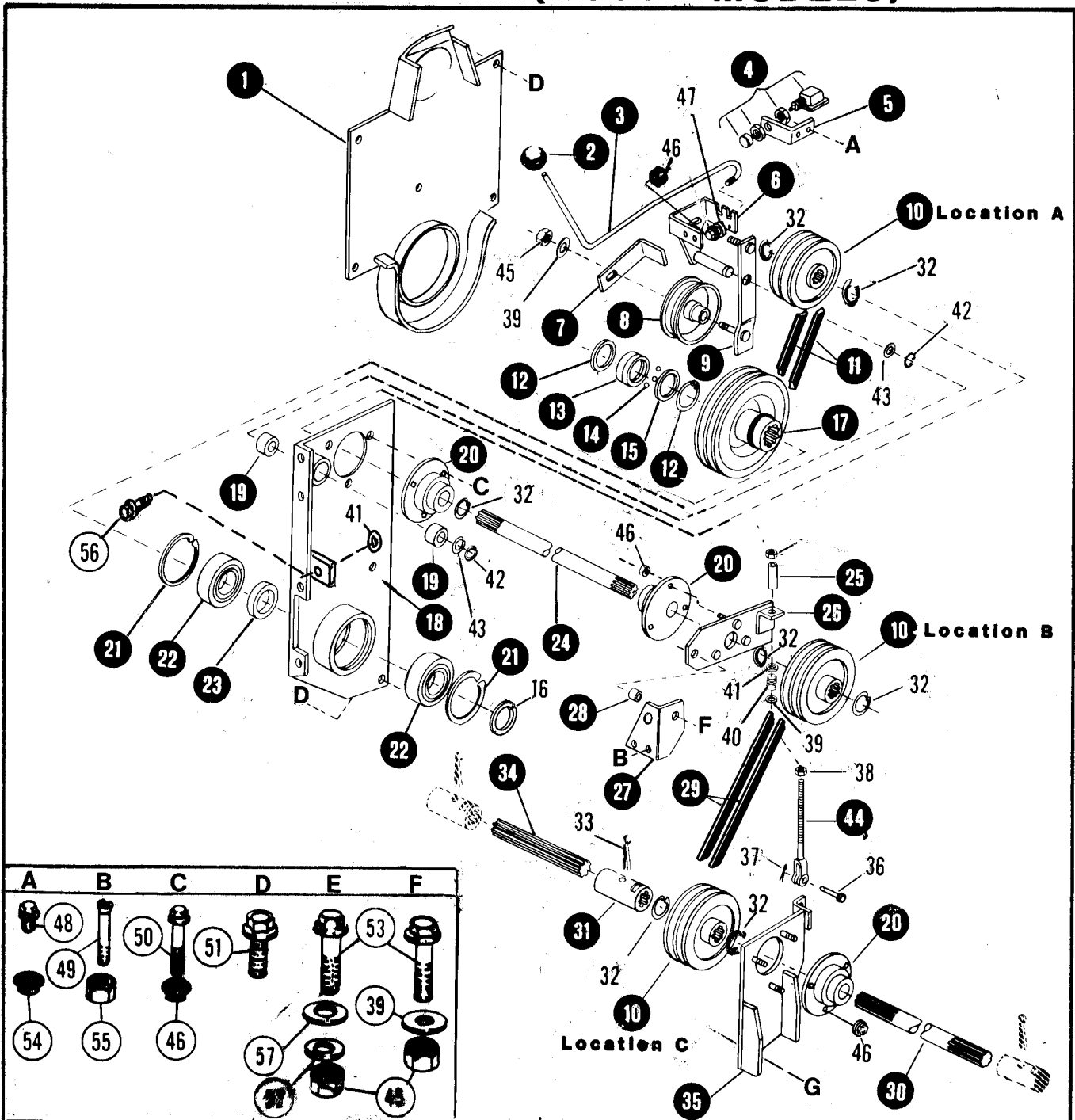
ITEM	PART NO.	DESCRIPTION
1	5-9565	WHEEL ASSEMBLY (INCLUDES ITEMS 2,3,4)
2	1-9675	TIRE, 23, 10.50 x 12
3	1-9663	RIM, (INCLUDES ITEM 4)
4	1-2234	VALVE, AIR
5	1-2658	BOLT, REAR WHEEL TO HUB (5 EACH WHEEL)
6	1-9865	HUB, REAR WHEEL
7	1-2783	KEY, 1/4 x 1-1/8
8	9-0662	WASHER, FLAT 1-1/8
9	9-0663	NUT, HEX JAM 1-1/8

# FRONT WHEELS



ITEM	PART NO.	DESCRIPTION
1	5-9563	WHEEL ASSEMBLY (INCLUDES ITEMS 2,3,4,5,6)
2	1-1097	TIRE, 16 x 6.50 x 8
3	1-9678	RIM, (INCLUDES ITEMS 4,5,6)
4	1-3867	FITTING, GREASE
5	1-3680	BEARING, BALL (TWO REQ'D)
6	1-2234	VALVE, AIR
7	1-8400	CAP, FRONT HUB
8	9-0603	BOLT, 3/8C x 7/8 HEX HEAD
9	3-2012	WASHER, 13/32" FLAT

# REAR POWER TAKE-OFF (1650A MODELS)



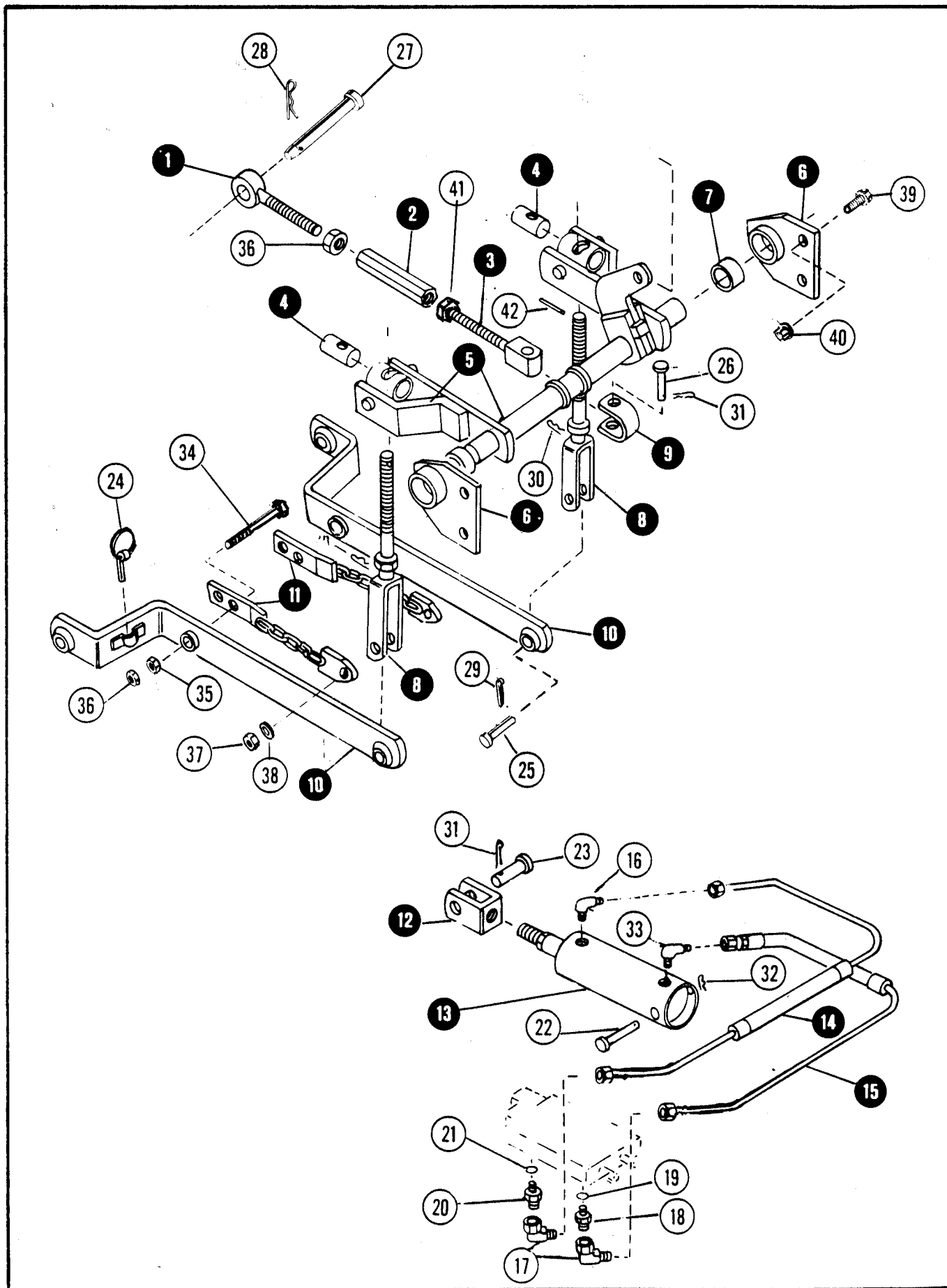
ITEM	PART NO.	DESCRIPTION
48		
49		
50		
51		
52		
53		
54		
55		
56		
57		

ITEM	PART NO.	DESCRIPTION
1	4-9847	COVER, REAR (1650A models with rear PTO only)
2	1-8360	KNOB, P.T.O. CONTROL LEVER
3	1-9577	LEVER, REAR P.T.O. CONTROL
4	1-2668	SWITCH, P.T.O. INTERLOCK
5	3-7867	BRACKET, SWITCH MOUNTING
6	4-9610	BRACKET, IDLER ASSEMBLY
7	3-9675	GUIDE, V-BELT
8	1-8326	PULLEY, IDLER - REAR
9	4-7754	ARM, IDLER - ASSEMBLY
10	4-9590	PULLEY, DRIVE

# (1650A) REAR POWER TAKE-OFF

ITEM	PART NO.	DESCRIPTION
11	1-9607	V-BELTS (SET) REAR P.T.O. DRIVE
12	1-8362	RING, RETAINING
13	1-9609	COLLAR, SHAFT LOCK
14	1-2854	BALL, STEEL 3/8" DIAMETER
15	1-8361	SPRING, SLIDING RETAINING
16	1-2856	RING, RETAINING
17	1-9886	PULLEY, DRIVE
18	5-9546	PLATE, MOUNTING - ASSEMBLY (includes 2 item #19)
19	1-2746	BUSHING, MOUNTING PLATE
20	1-9608	BEARING
21	1-9610	RING, RETAINING
22	1-2857	BEARING, BALL
23	2-7573	SPACER, STEEL
24	2-9537	SHAFT, REAR DRIVE
25	2-7527	SLEEVE, ROD GUIDE
26	4-9614	BRACKET, P.T O. SHAFT
27	3-7868	BRACKET, PIVOT
28	2-1815	SPACER, PIVOT
29	1-9550	V-BELTS (SET) P.T.O. DRIVE
30	2-9538	SHAFT, FRONT DRIVE (1650A only - see page 4.4 for 1650 models)
31	2-7502	COUPLING, SHAFT
32	1-2899	RING, RETAINING
33	9-0589	COTTER-PIN, 3/32 x 3/4
34	2-9536	SHAFT, REAR P.T.O. DRIVE
35	4-9843	BRACKET, DRIVE SHAFT
36	1-2743	PIN, CLEVIS
37	9-0037	COTTER-PIN, 3/32 x 3/4
38	1-2742	NUT, 3/8C - SPECIAL
39	9-0122	WASHER, 3/8 FLAT
40	1-8311	SPRING, ROD GUIDE
41	9-0250	WASHER, 1/2" FLAT
42	1-2744	RING, RETAINING
43	1-2855	WASHER, 5/8 x 1 x .020
44	4-7750	ROD GUIDE ASSEMBLY
45	9-0613	NUT, 3/8C HEX FLANGE LOCK
46	9-0585	NUT, 5/16C HEX FLANGE LOCK
47	2-1805	SPACER, LEVER TO BRACKET
48	9-0584	BOLT, 1/4C x 1/2 HEX FLANGE LOCK
49	9-0682	SCREW, 1/4C x 7/8 FLAT HEAD
50	9-0607	BOLT, 5/16C x 7/8 HEX FLANGE LOCK
51	9-0620	BOLT, 3/8C x 3/4 HEX FLANGE LOCK
52	1-2858	WASHER, 5/8 x 1-1/4 x .010
53	9-0587	BOLT, 3/8C x 1-1/4 HEX FLANGE LOCK
54	9-0583	NUT, 1/4C HEX FLANGE LOCK
55	9-0063	NUT, 1/4C HEX
56	9-0680	BOLT, 1/2-13 x 3/4 HEX FLANGE LOCK
57	3-2030	WASHER, 3/8 x 1-1/4 x 1/8

# 3-POINT HITCH

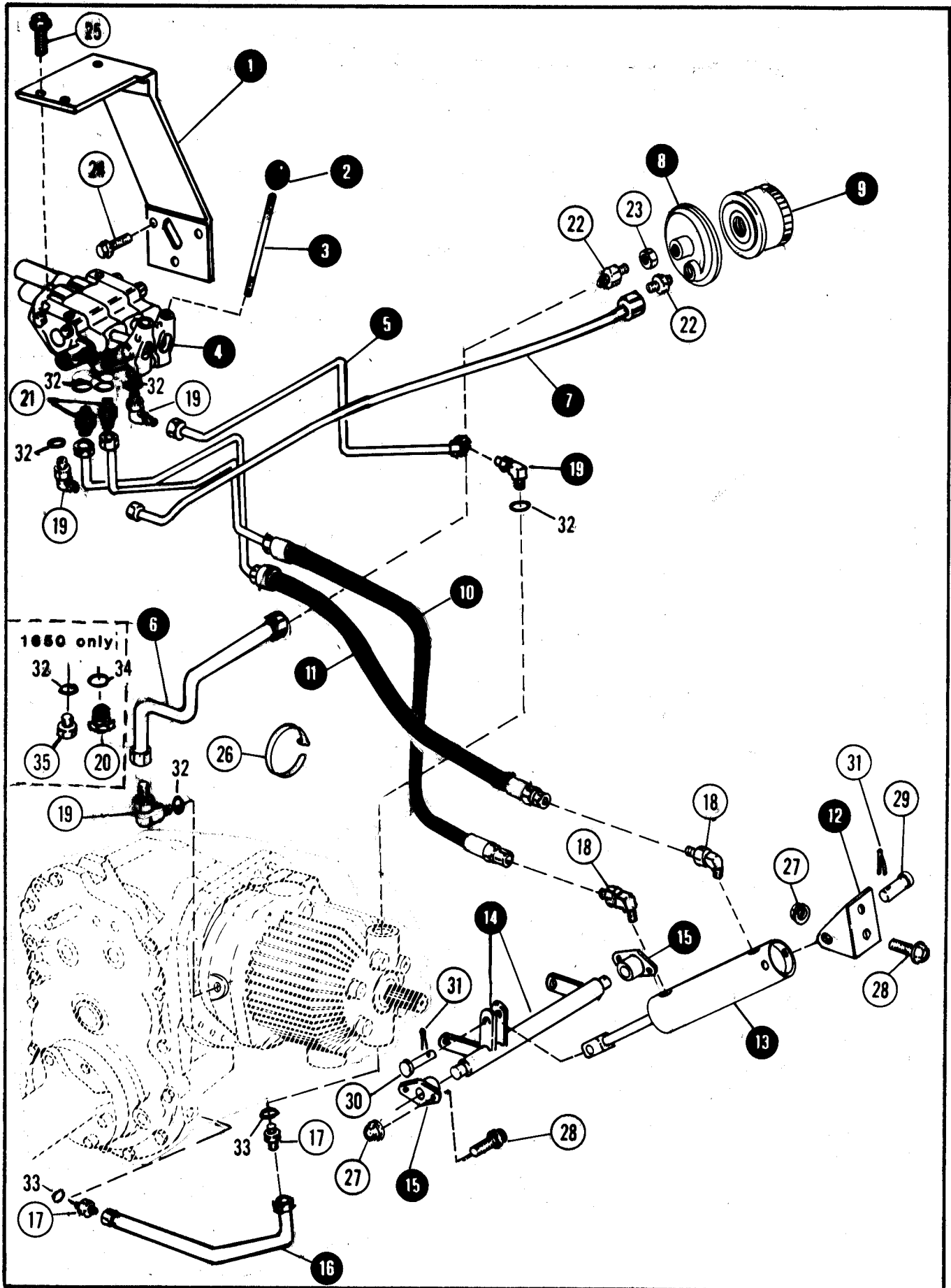




# 3-POINT HITCH

ITEM	PART NO.	DESCRIPTION
1	4-9616	CLEVIS, LINK ADJUSTER
2	2-7576	ADJUSTER, UPPER LINK
3	4-9615	CLEVIS, UPPER
4	2-7575	SWIVEL, LOWER LINK
5	4-9840	ROCKER - SHAFT, (ASSEMBLY)
6	5-7257	PIVOT, ROCKERSHAFT (ASSEMBLY INCLUDES ITEM 7)
7	1-2868	BUSHING, PIVOT
8	4-9609	LINK, LOWER ADJUSTER
9	3-7866	STRAP, CLEVIS TO SHAFT
10	4-9852	LINK, LOWER LIFT
11	4-9608	CHAIN, CHECK (ASSEMBLY)
12	2-7583	END, CYLINDER ROD
13	1-9611	CYLINDER, HYDRAULIC LIFT (See pages 7.9 & 7.10)
14	1-9891	TUBE & HOSE ASSEMBLY - VALVE TO CYLINDER
15	1-9890	TUBE & HOSE ASSEMBLY - VALVE TO CYLINDER
16	1-2754	ELBOW, 1/4-18
17	1-8365	ELBOW, 90 DEGREE SWIVEL
18	1-2773	CONNECTOR, ELBOW TO VALVE (INCLUDES ITEM 19)
19	1-3906	O-RING ,906 (.08 x .47 I.D.)
20	1-2869	CONNECTOR (INCLUDES ITEM 21)
21	1-3907	O-RING , 908 (.09 x .64 I.D.)
22	1-2866	PIN, CLEVIS - CYLINDER TO FRAME
23	1-2859	PIN, CLEVIS - LINK TO FRAME
24	1-2864	PIN,
25	1-2861	PIN, CLEVIS - LINK TO FRAME
26	1-2860	PIN, CLEVIS - CLEVIS TO SHAFT
27	1-3774	PIN, CLEVIS - 5/8 x 3"
28	1-3844	PIN, HAIR
29	9-0649	COTTER-PIN, 3/16 x 1-1/4
30	1-2863	PIN, HAIR - CLEVIS TO SHAFT
31	9-0364	COTTER-PIN, 5/32 x 1
32	1-2867	PIN, HAIR - CYLINDER to FRAME
33	1-8364	ELBOW, 1/4-18 Extra Long
34	9-0684	BOLT, 5/8C x 3-1/2 HEX HEAD
35	9-0537	NUT, 5/8C HEX
36	9-0686	NUT, 5/8C HALF HEX
37	9-0546	NUT, 3/8C HEX LOCK
38	9-0122	WASHER, 3/8 FLAT
39	9-0622	BOLT, 1/2C x 1-1/4 HEX WASHER HEAD
40	9-0619	NUT, 1/2C HEX FLANGE
41	9-0685	JAM-NUT, 5/8C LEFT HAND THREAD
42	1-2862	PIN, 1/4 x 2-1/2 GROOVE

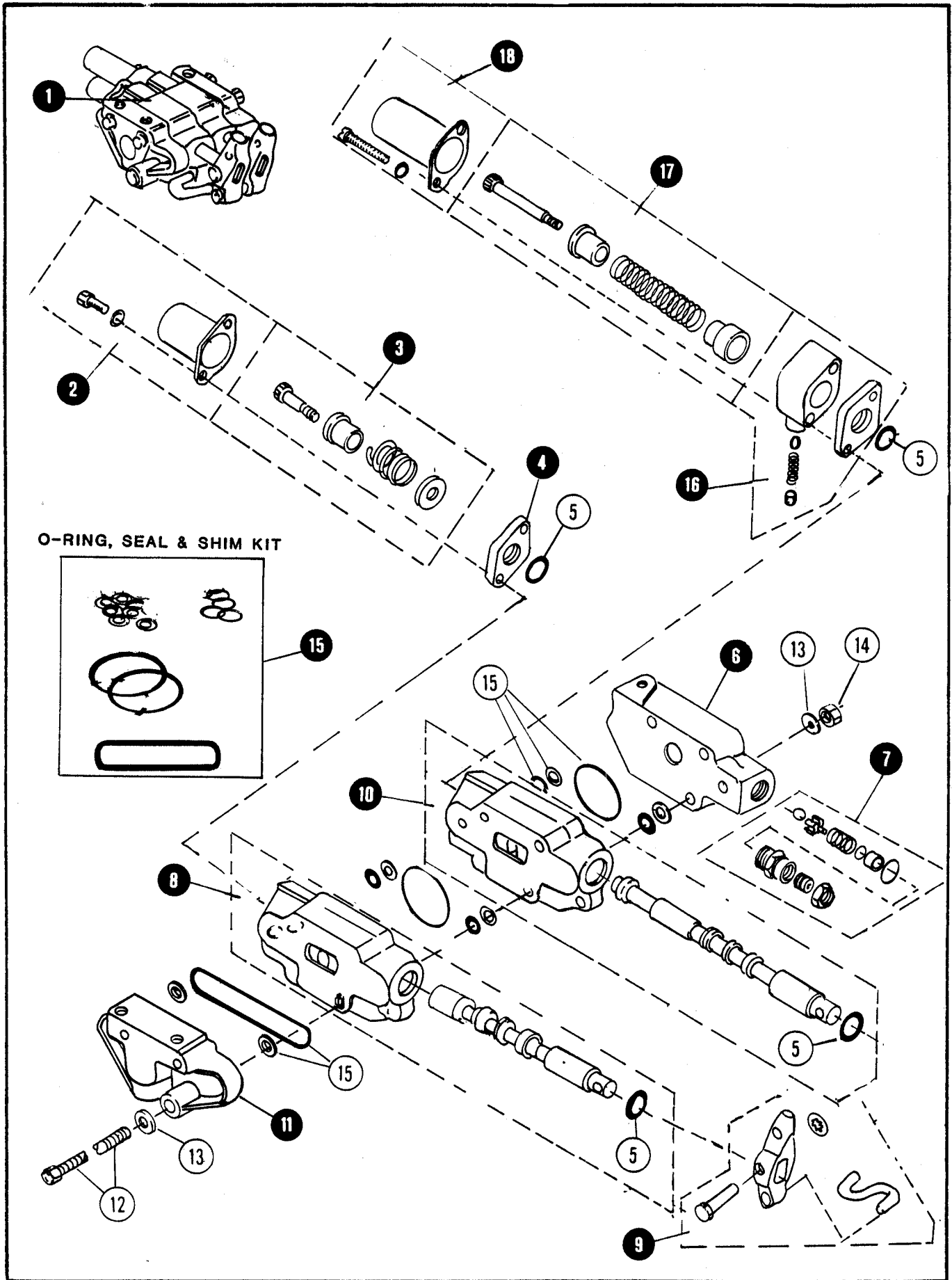
# HYDRAULIC LIFT SYSTEM (MID-MOUNT)



# HYDRAULIC LIFT SYSTEM (MID-MOUNT)

ITEM	PART NO.	DESCRIPTION
1	4-9839	BRACKET VALVE SUPPORT
2	1-8271	KNOB, CONTROL HANDLE
3	2-7525	HANDLE VALVE CONTROL
4	1-9870	VALVE, 2-SPOOL (SEE PAGE 7.7 FOR COMPONENTS)
5	1-9873	TUBE, CHARGE PUMP TO VALVE
6	1-9646	TUBE, FILTER TO TRANSMISSION
7	1-9648	TUBE, VALVE TO FILTER
8	1-8335	BASE, OIL FILTER
9	1-8334	FILTER, HYDRAULIC OIL
10	1-9871	HOSE-TUBE, VALVE TO CYLINDER - ROD END
11	1-9872	HOSE-TUBE, VALVE TO CYLINDER - HEAD END
12	3-9676	SUPPORT, CYLINDER
13	1-9565	CYLINDER, MID-MOUNT LIFT (SEE PAGES 7.11-7.12)
14	4-9842	SHAFT, LIFT
15	1-8277	BEARING, LIFT SHAFT
16	1-9866	TUBE, TRANSAXLE TO TRANSMISSION
17	1-2767	CONNECTOR, 7/8-14 STRAIGHT THREAD
18	1-2785	ELBOW, 45 DEGREE 1/4P.T. x 9/16-18 STRAIGHT THREAD.
19	1-2764	ELBOW, 90 DEGREE 9/16-18 STRAIGHT THREAD (INCLUDES ITEM 32)
20	1-2771	PLUG, VALVE 3/4-16 (INCLUDES ITEM 34- for 1650 only)
21	1-2773	CONNECTOR, 9/16-18 STRAIGHT THREAD (INCLUDES ITEM 32)
22	1-2753	CONNECTOR,
23	9-0283	NUT, 3/4 HALF HEX
24	9-0620	BOLT, 3/8C x 7/8 HEX FLANGE LOCK
25	9-0661	BOLT, 5/16C x 1 HEX FLANGE LOCK
26	1-2660	STRAP, HOSE RETAINER
27	9-0613	NUT, 3/8C HEX FLANGE LOCK
28	9-0582	BOLT, 3/8C x 1 HEX FLANGE LOCK
29	1-2756	CLEVIS-PIN, 1/2 x 3-7/16
30	1-2751	CLEVIS-PIN, 1/2 x 1-7/8
31	9-0041	COTTER-PIN, 1/8 x 1"
32	1-3906	O-RING, 906 (.08 x .47 I.D.)
33	1-3908	O-RING, 910 (.10 x .75 I.D.)
34	1-3907	O-RING, 908 (.09 x .64 I.D.)
35	1-2772	PLUG, VALVE 9/16-18 (INCLUDES ITEM 32 - for 1650 only)

# HYDRAULIC VALVE - 2 SPOOL

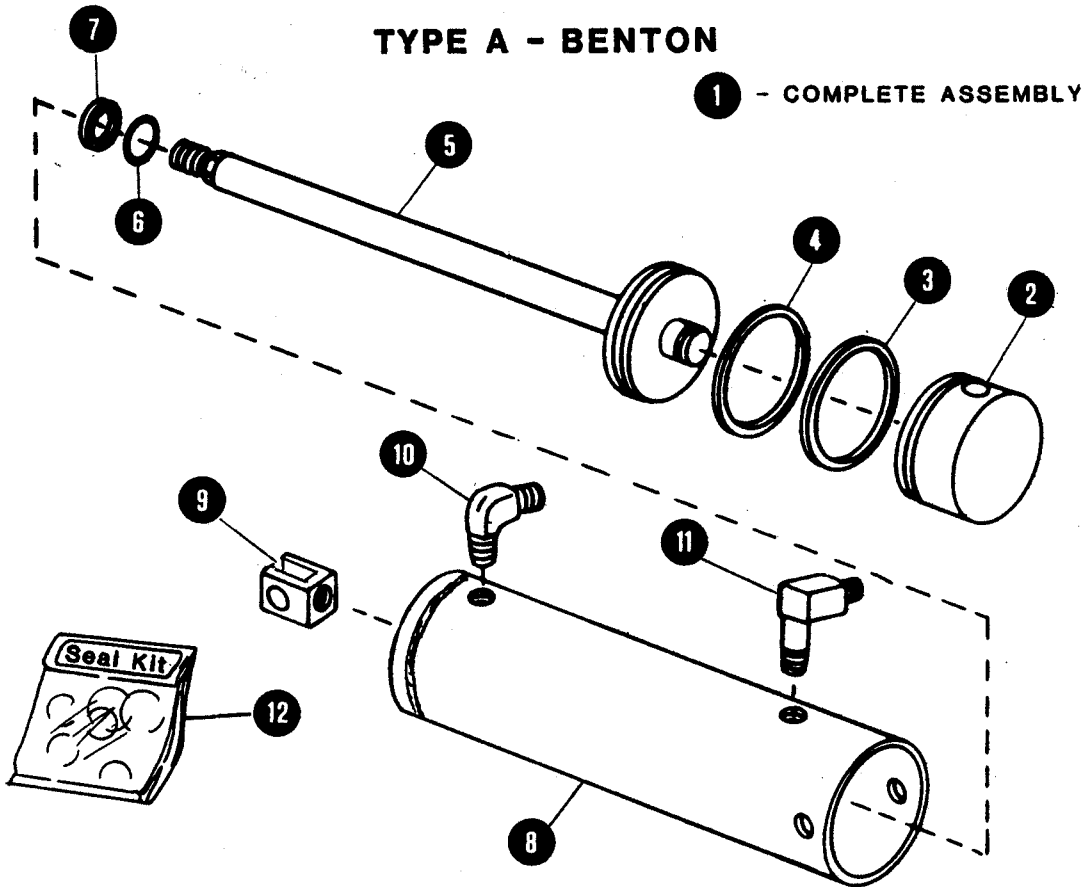


# HYDRAULIC VALVE - 2 SPOOL

ITEM	PART NO.	DESCRIPTION
1	1-9870	VALVE ASSEMBLY, 2 SPOOL (COMPLETE LESS HANDLES)
2	6-0427	KIT, SPOOL CAP REPLACEMENT
3	6-0426	KIT, SPOOL SPRING REPAIR
4	1-3747	SPACER, SPOOL
5	1-3001	O-RING (NOT PART OF ITEM 15 KIT - ORDER SEPARATELY)
6	1-2962	COVER ASSEMBLY (INCLUDES SEAT)
7	1-2984	KIT, RELIEF VALVE REPAIR
8	1-3746	KIT, AUXILIARY VALVE REPLACEMENT
9	1-3749	KIT, HANDLE CONTROL REPAIR
10	1-3745	KIT, MID/FRONT LIFT VALVE REPLACEMENT
11	1-3750	COVER
12	9-0772	BOLT, 1/4 NF x 4-3/4 HEX HEAD (3)
13	9-0055	WASHER, FLAT (6)
14	9-0095	NUT, 1/4 NF HEX (3)
15	6-0428	KIT, SEAL & SHIM REPAIR (LESS ITEM 5)
16	6-0423	KIT DETENT REPAIR
17	6-0424	KIT, DETENT SPOOL SPRING REPAIR
18	6-0425	KIT, SPOOL CAP REPLACEMENT

# HYDRAULIC CYLINDER - REAR LIFT

## TYPE A - BENTON

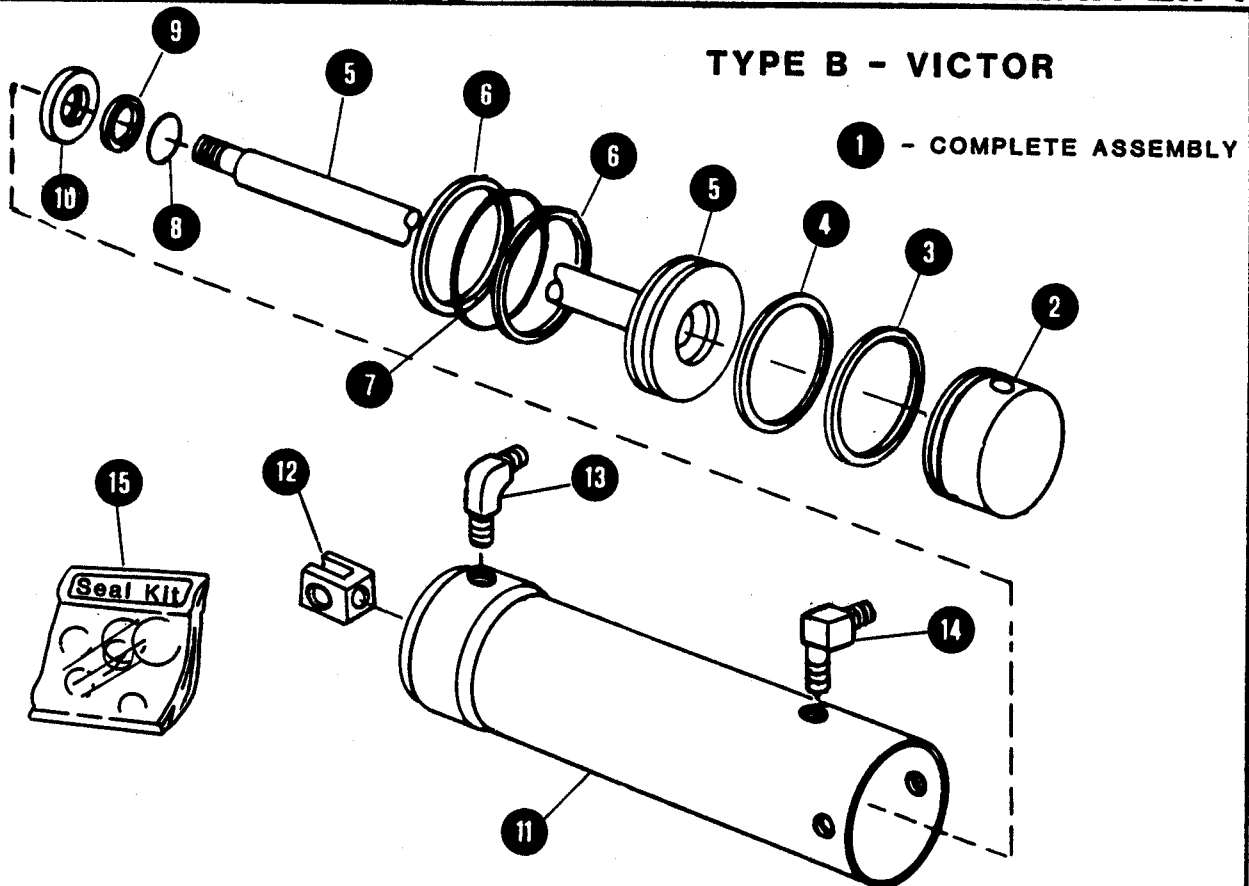


ITEM	PART NO.	DESCRIPTION
1	1-9611	CYLINDER, REAR LIFT ASSEMBLY (INCLUDES ITEMS 2 THRU 8)
2	1-3835	HEAD, CYLINDER
3	***	PACKING, CYLINDER HEAD
4	***	SEAL, PISTON
5	1-3832	PISTON-ROD ASSEMBLY
6	***	O-RING, PISTON ROD
7	***	RING, PISTON ROD BACK-UP
8	1-3053	TUBE, CYLINDER
9	2-7583	FITTING, PISTON ROD END
10	1-2754	ELBOW, 1/4-18 NPTF x 9/16-18 NF - 90°
11	1-8364	ELBOW, 1/4-18 NPTF x 9/16-18 - 90° (LONG)
12	1-3915	KIT, SEAL REPLACEMENT (INCLUDES ITEMS 3,4,6,7)

\*\*\* PART OF SEAL KIT ITEM 12.

# HYDRAULIC CYLINDER - REAR LIFT

## TYPE B - VICTOR

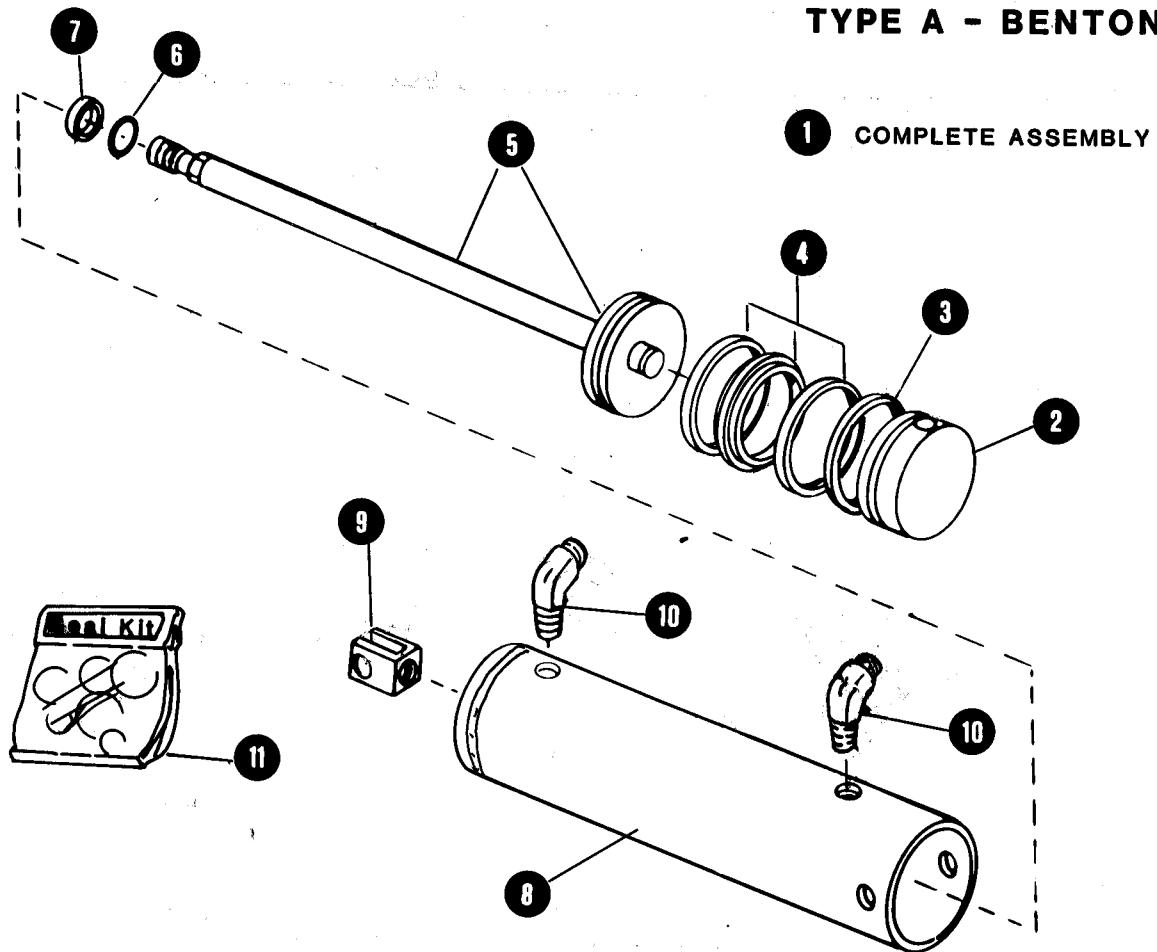


ITEM	PART NO.	DESCRIPTION
1	1-9611	CYLINDER, REAR LIFT ASSEMBLY (INCLUDES ITEMS 2 THRU 11)
2	1-2979	HEAD, CYLINDER
3	***	WASHER, HEAD O-RING BACK-UP
4	***	O-RING, CYLINDER HEAD
5	1-3839	PISTON-ROD ASSEMBLY
6	***	WASHER, PISTON O-RING BACK-UP
7	***	O-RING, PISTON
8	***	O-RING, PISTON ROD SEAL
9	***	WASHER, SEAL O-RING BACK-UP
10	***	WIPER, PISTON ROD
11	1-2980	TUBE CYLINDER
12	2-7583	FITTING, PISTON ROD END
13	1-2754	ELBOW, 1/4-18 NPTF x 9/16-18 NF - 90°
14	1-8364	ELBOW, 1/4-18 NPTF x 9/16-18 NF - 90° (LONG)
15	1-3914	KIT, SEAL REPLACEMENT (INCLUDES ITEMS 3,4,6,7,8,9,10)

\*\*\* PART OF SEAL KIT ITEM 15

# HYDRAULIC CYLINDER - MID/MOUNT LIFT

TYPE A - BENTON



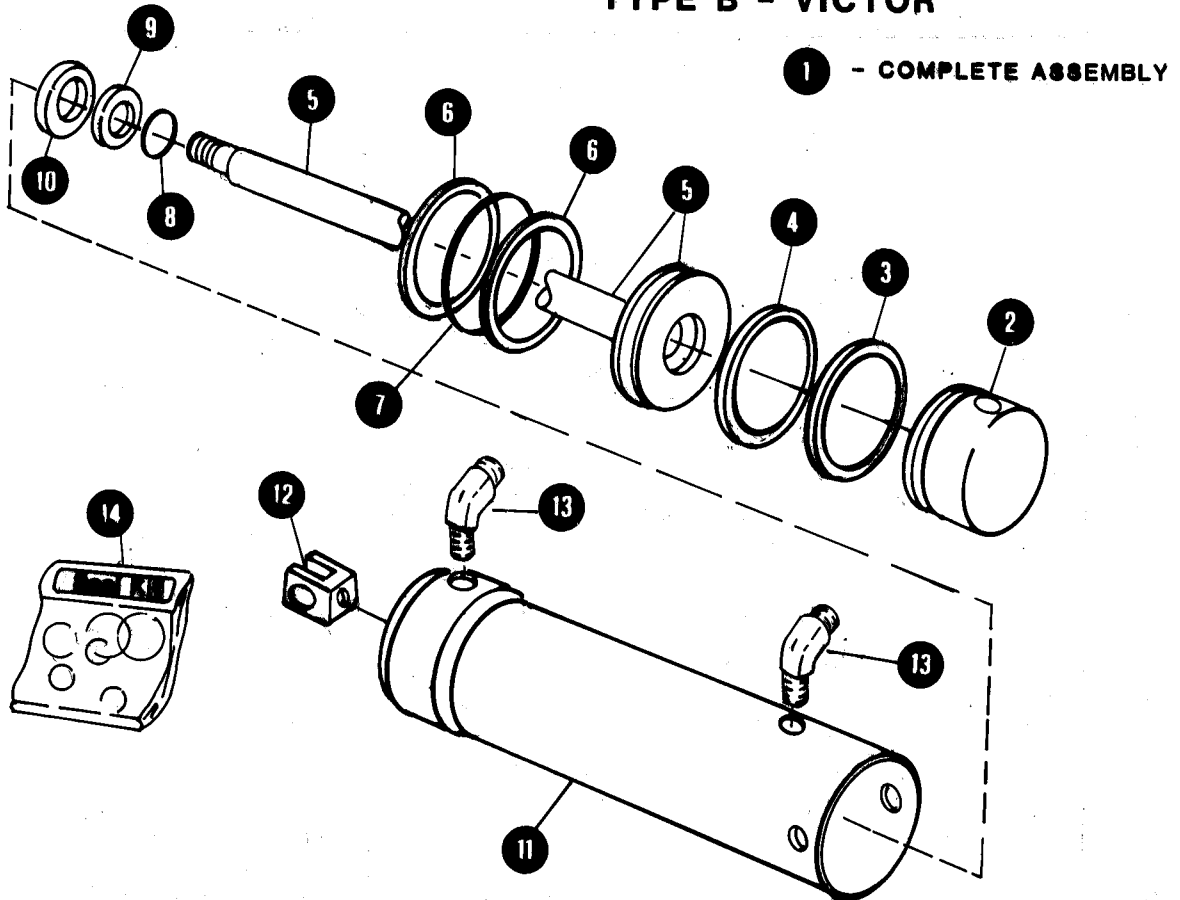
ITEM	PART NO.	DESCRIPTION
1	1-9565	CYLINDER MID-MOUNT LIFT ASSEMBLY (INCL. ITEMS 2 thru 9)
2	1-3045	HEAD, CYLINDER
3	***	PACKING, CYLINDER HEAD
4	***	SEAL-RING ASSEMBLY, PISTON BACK-UP
5	1-3840	PISTON-ROD ASSEMBLY
6	***	O-RING, PISTON ROD
7	***	SEAL, PISTON
8	1-3044	TUBE, CYLINDER
9	1-3836	FITTING, PISTON ROD END
10	1-2785	ELBOW, 1/4P.T. - 45°
11	1-3913	KIT, SEAL REPLACEMENT (INCLUDES ITEMS 3,4,6,7)

\*\*\* PART OF SEAL KIT ITEM 11.



# HYDRAULIC CYLINDER, MID-MOUNT

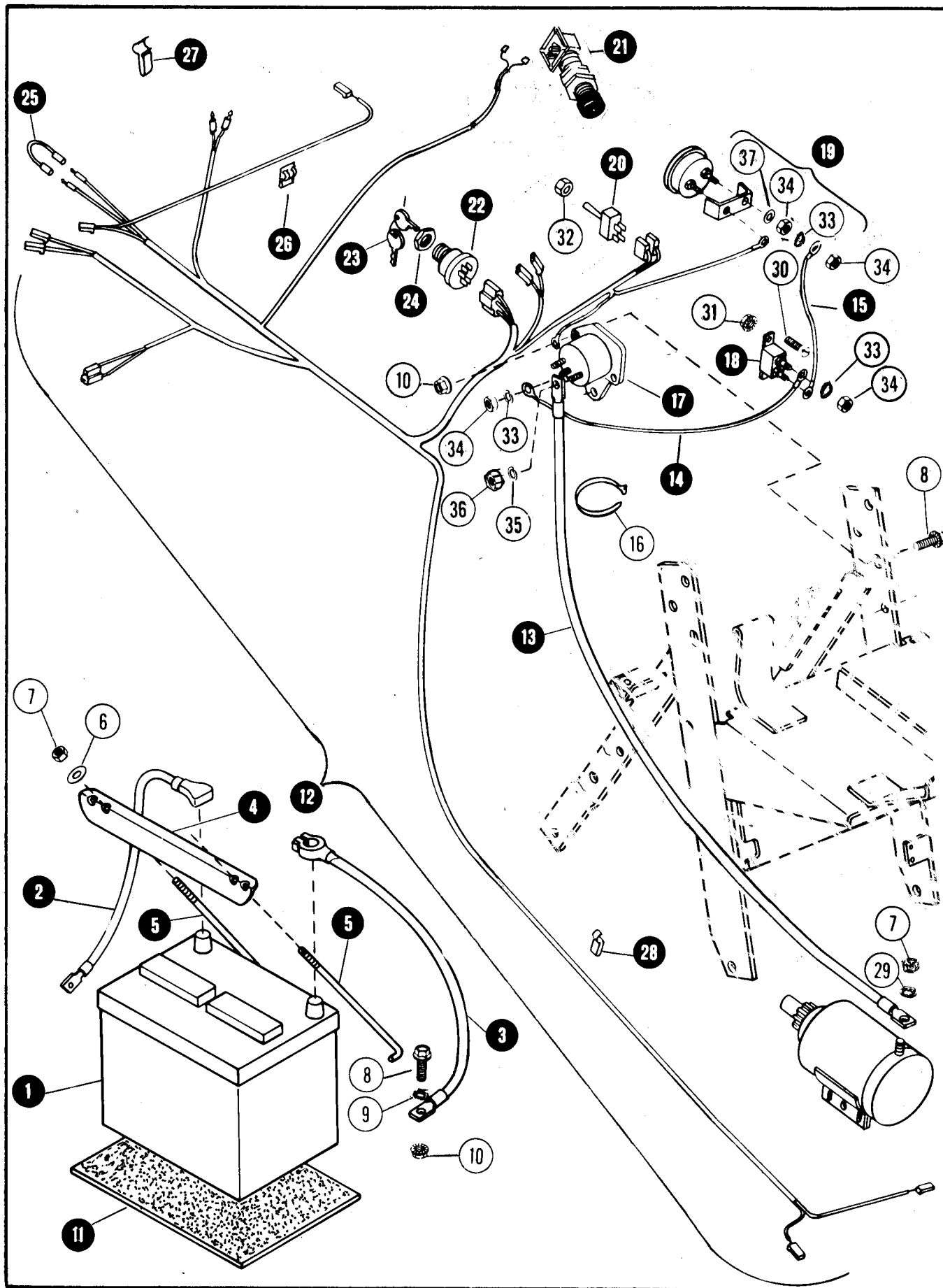
## TYPE B - VICTOR



ITEM	PART NO.	DESCRIPTION
1	1-9565	CYLINDER, REAR LIFT ASSEMBLY (INCLUDES ITEMS 2 THRU 12)
2	1-3909	HEAD, CYLINDER
3	***	WASHER, HEAD O-RING BACK-UP
4	***	O-RING, CYLINDER HEAD
5	1-3910	PISTON-ROD ASSEMBLY
6	***	WASHER, PISTON O-RING BACK-UP
7	***	O-RING, PISTON
8	***	O-RING, PISTON ROD SEAL
9	***	WASHER SEAL O-RING BACK-UP
10	***	WIPER, PISTON ROD
11	1-3911	TUBE CYLINDER
12	1-3836	FITTING, PISTON ROD END
13	1-2785	ELBOW, 1/4 P.T. - 45°
14	1-3912	KIT, SEAL REPLACEMENT (INCLUDES ITEMS 3,4,6,7,8,9,10)

\*\*\* PART OF SEAL KIT ITEM 14

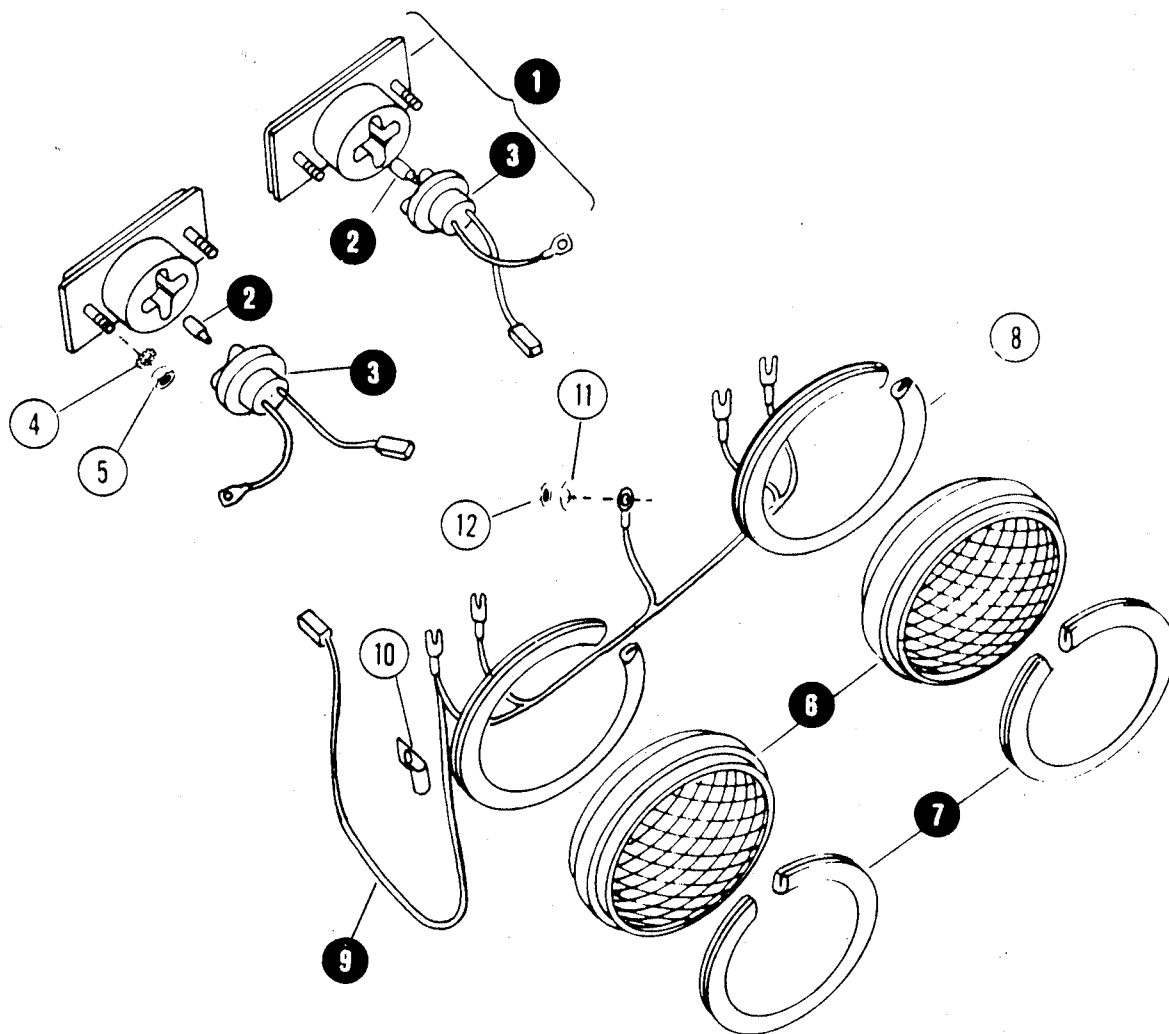
# ELECTRICAL SYSTEM



# ELECTRICAL SYSTEM

ITEM	PART NO.	DESCRIPTION
1	1-9844	BATTERY, 12 VOLT
2	1-9561	CABLE ASSEMBLY, BATTERY TO SOLENOID (POSITIVE)
3	1-8306	CABLE, BATTERY GROUND (NEGATIVE)
4	3-9621	CLAMP, BATTERY HOLD DOWN
5	1-2740	ROD, BATTERY HOLD DOWN
6	9-0598	WASHER, 1/4 FLAT
7	9-0372	NUT, 1/4C HEX LOCK
8	9-0596	BOLT, 1/4C x 5/8 HEX FLANGE LOCK
9	9-0608	WASHER, 1/4 EXTERNAL TOOTH LOCK
10	9-0518	NUT, 1/4C HEX FLANGE LOCK
11	1-9925	PAD, BATTERY
12	1-9828	HARNESS, MAIN WIRING
13	1-8269	CABLE, SOLENOID TO STARTER
14	1-8262	WIRE ASSEMBLY, SOLENOID TO CIRCUIT BREAKER
15	1-8265	WIRE ASSEMBLY, CIRCUIT BREAKER TO AMMETER
16	1-2660	STRAP, WIRE RETAINING
17	1-9544	SOLENOID, STARTING
18	1-8263	BREAKER, CIRCUIT (INCLUDES TERMINAL NUTS ETC.)
19	1-9547	AMMETER ASSEMBLY (INCLUDES MTG BRACKET & HARDWARE)
20	1-9545	SWITCH, TOGGLE (INCLUDES ITEM 32)
21	1-2668	SWITCH, INTERLOCK (INCLUDES MOUNTING HARDWARE)
22	1-9543	SWITCH, IGNITION (INCLUDES ITEMS 23 & 24)
23	1-2692	KEY, IGNITION SWITCH (PAIR)
24	1-2685	NUT, IGN. SWITCH MOUNTING
25	2-7548	WIRE ASSEMBLY, PTO (FOR 1650A ONLY)
26	1-2691	CLIP, REAR FRAME (4REQ'D)
27	1-2663	CLIP, REAR HARNESS (1 REQ'D)
28	1-8270	CLIP, FRONT HARNESS (2 REQ'D)
29	1-2737	WASHER, 1/4 FLAT
30	9-0610	SCREW, #10-24 x 1/2 ROUND HEAD
31	1-2688	NUT, #10-24 HEX FLANGE LOCK
32	1-2686	NUT, 1/2-27 HEX (SPECIAL)
33	9-0601	WASHER, #10 LOCK
34	9-0013	NUT, #10-32 HEX
35	9-0187	WASHER, 5/16 LOCK
36	9-0196	NUT, 5/16C HEX
37	9-0010	WASHER, #10 FLAT

# LIGHTING SYSTEM



ITEM	PART NO.	DESCRIPTION
1	1-8245	TAIL, LIGHT ASSY. (INCLUDES ITEMS 2 & 3)
2	1-3721	BULB, TAIL LIGHT
3	1-3043	SOCKET, TAIL LIGHT TERMINAL
4	9-0601	WASHER, #10 EXTERNAL TOOTH LOCK
5	9-0013	NUT, #10-32
6	1-8415	HEADLAMP, SEALED BEAM
7	1-2651	MOLDING, OUTSIDE HEADLAMP
8	1-2650	MOLDING, INSIDE HEADLAMP
9	1-9529	HARNES, HEADLAMP WRING
10	1-2652	CLIP, HARNES TO HOOD (2 req'd)
11	9-0055	WASHER, 1/4 FLAT
12	9-0578	NUT, 1/4C HEX LOCK

# ACCESSORY INDEX (1650 SERIES)

KIT DESCRIPTION	APPLICABLE	PAGE
HOUR METER	1650 & 1650A	9.1
3-POINT HITCH	1650(STD.1650A)	9.2
REAR P.T.O. SHIELD	1650A	9.2
REAR P.T.O.	1650	9.3
SPARK ARRESTOR	1650 & 1650A	9.3
MULE DRIVE	1650 & 1650A	9.4
AG TIRES	1650 & 1650A	9.5
REAR WHEEL WEIGHTS	1650 & 1650A	9.6
REAR TIRE CHAINS	1650 & 1650A	9.6

## ATTACHMENT INDEX (SEPARATE PARTS SECTIONS)

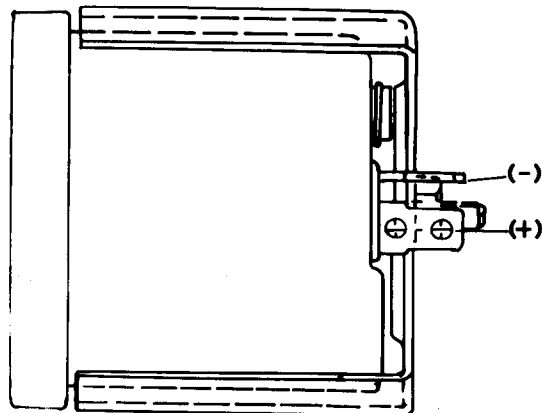
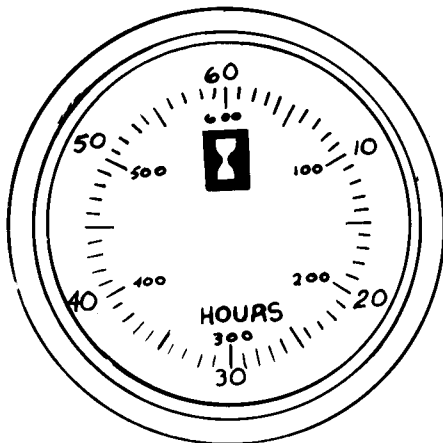
MOWERS	MANUAL	#
MOWERS	MANUAL	#1-3711
SNOW THROWERS	"	#1-3899
ROTARY TILLERS	"	#1-3920
GARDEN TOOLS	"	#1-3921
DOZER BLADES	"	#1-3922
DUMP CARTS	"	#1-3923

### HOUR METER

### ACCESSORY

#### KIT #6-0394

INCLUDES MOUNTING BRACKET & HARDWARE

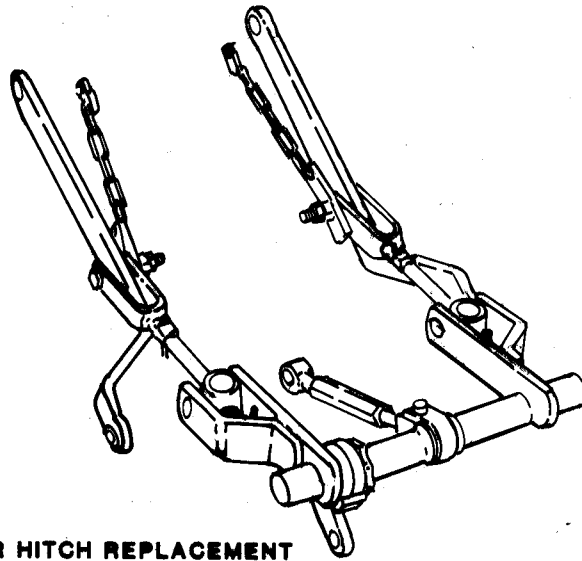


NOTE: TRACTORS WIRED TO RECEIVE HOUR METER

# ACCESSORY

# 3 POINT(CATEGORY O) HITCH

**KIT #6-0400**

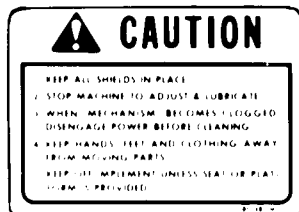


**NOTE: SEE PAGES 7.3 & 7.4 FOR HITCH REPLACEMENT**

# ACCESSORY

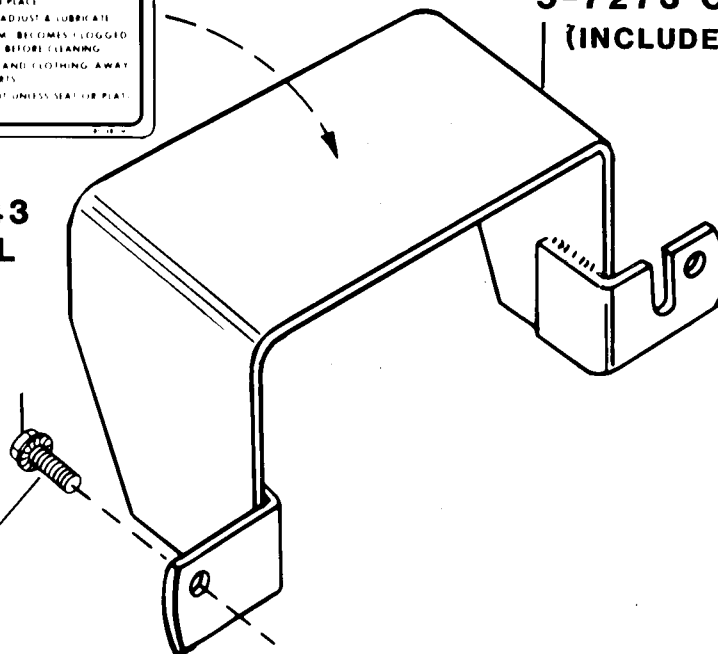
# REAR P.T.O. SHIELD

**KIT #6-0393**



**1-8443  
DECAL**

**5-7273 COVER  
(INCLUDES DECAL)**

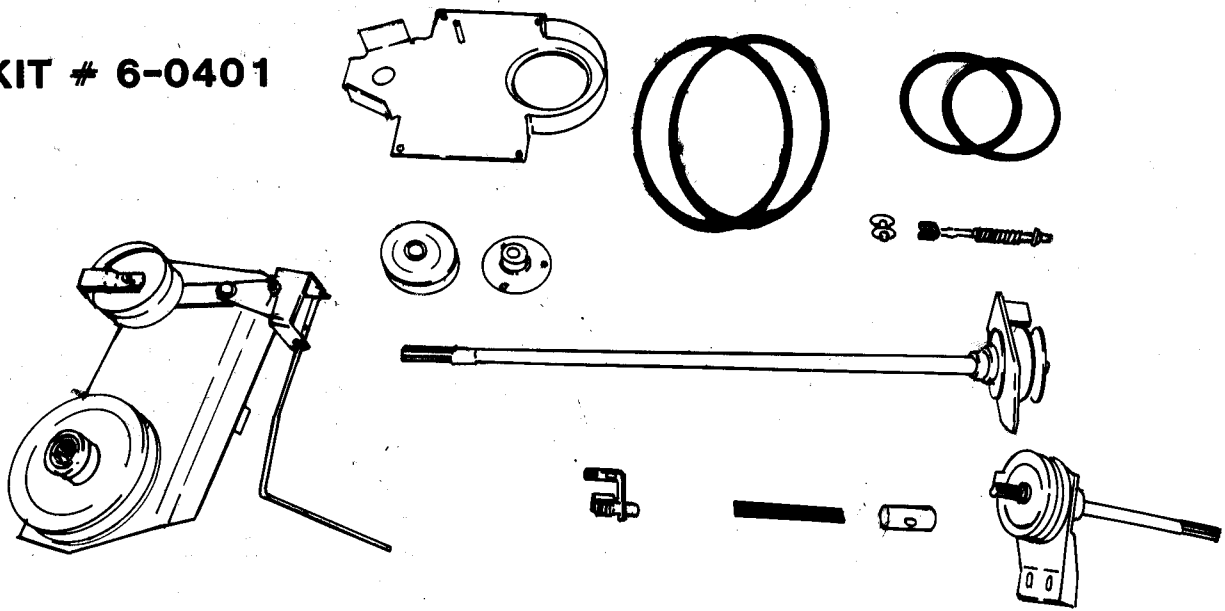


**9-0620 BOLT, 3/8C x 7/8 HEX WASHER HEAD  
(BOLTS NOT PART OF KIT - FURNISHED WITH TRACTOR)**

# ACCESSORY

# REAR P.T.O. KIT

**KIT # 6-0401**

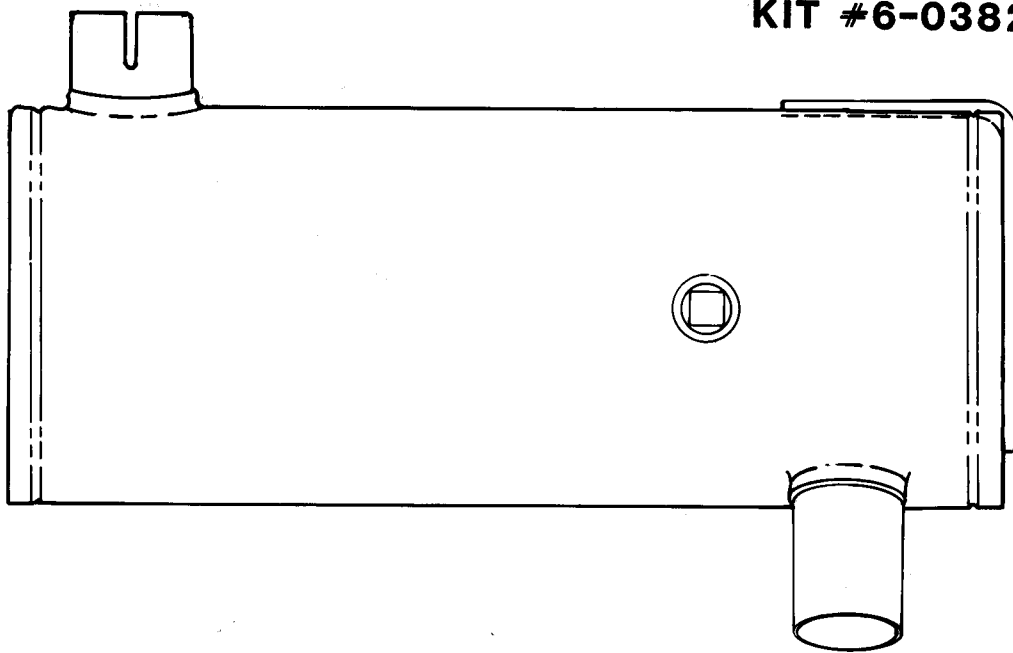


**NOTE: Converts 1650 Models to 1650A - See pages 7.1 & 7.2 for components**

# ACCESSORY

# SPARK ARRESTOR MUFFLER

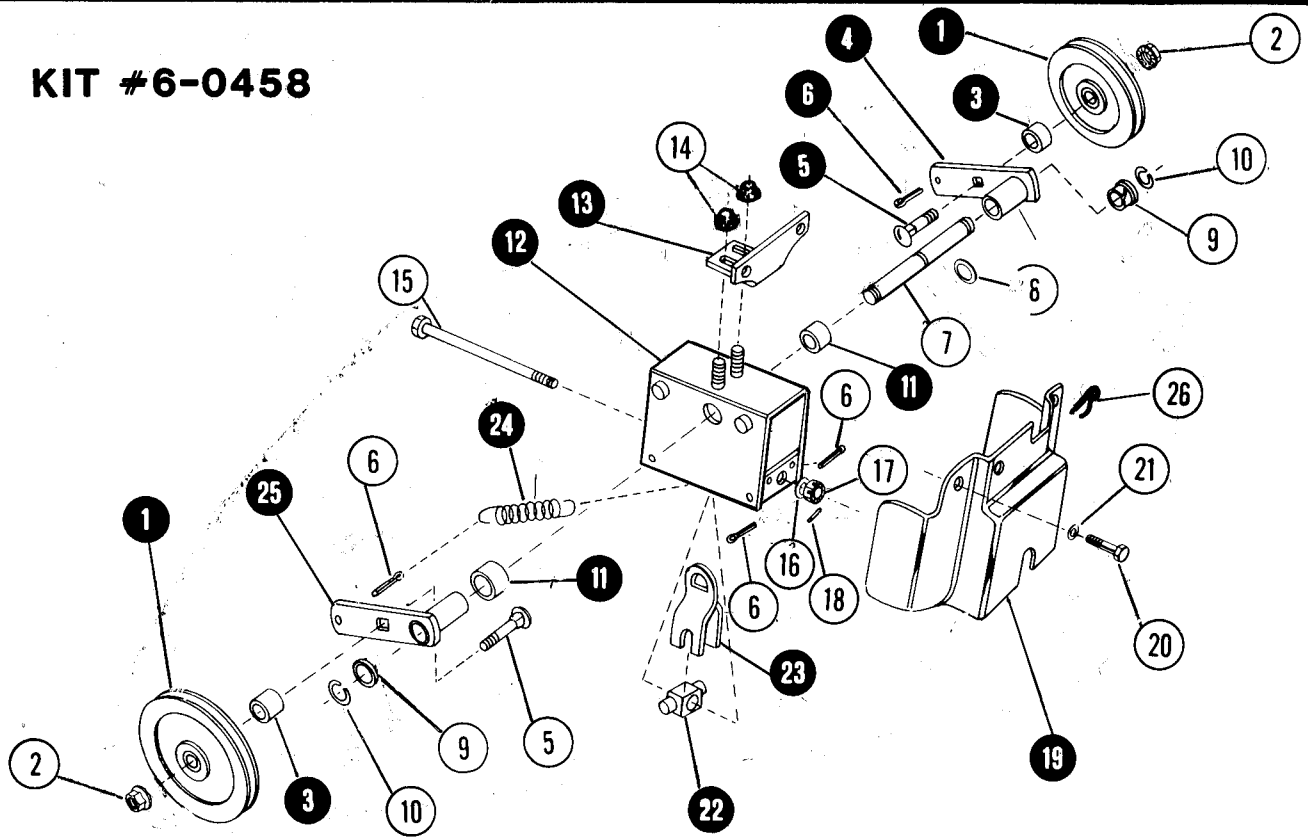
**KIT #6-0382**



# ACCESSORY

# IMPLEMENT (MULE) DRIVE

**KIT #6-0458**



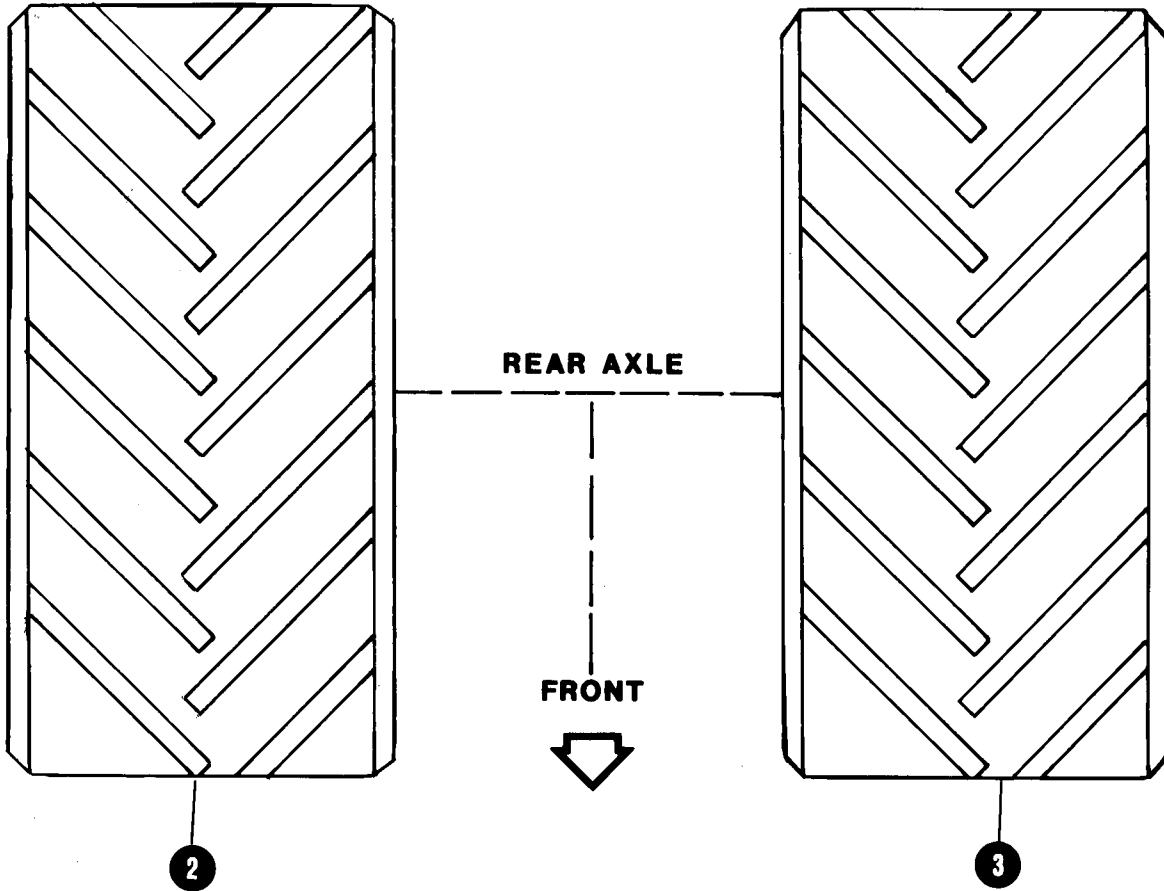
ITEM	PART NO.	DESCRIPTION
1	1-8274	PULLEY, IDLER
2	9-0619	NUT, 1/2C FLANGE LOCK
3	2-7506	SPACER, PULLEY
4	4-7741	ARM, IDLER PULLEY LEFT SIDE
5	9-0618	BOLT, 1/2C x 2 CARRIAGE
6	9-0616	COTTER-PIN, 1/4 x 3/4
7	2-7508	SHAFT, PULLEY RETAINER
8	1-8272	WASHER, 17/32 x 7/8 x 5/64
9	1-2695	SHIM, .009-.011"
10	1-2696	RING, SHAFT RETAINER
11	2-7504	SPACER, IDLER ARM PULLEY
12	4-9823	FRAME, IMPLEMENT DRIVE
13	3-9624	BRACKET, MOUNTING
14	9-0613	NUT, 3/8C FLANGE LOCK
15	2-7503	BOLT, 3/8C HEX DRILLED
16	9-0122	WASHER, 3/8 FLAT
17	9-0617	NUT, 3/8C HEX SLOTTED
18	1-2694	PIN, SPIROL 3/32 x 9/16
19	1-9532	COVER, IMPLEMENT DRIVE
20	9-0581	BOLT, 5/16C x 7/8 HEX
21	9-0188	WASHER, 5/16 FLAT
22	2-7507	TRUNNION, PULLEY ADJUSTER
23	4-7742	BRACKET, ADJUSTER
24	1-8273	SPRING, IDLER PULLEY TENSION
25	4-7740	ARM, IDLER PULLEY RIGHT SIDE
26	1-2672	HAIR-PIN CLIP



# AG WHEELS & TIRES

# ACCESSORY

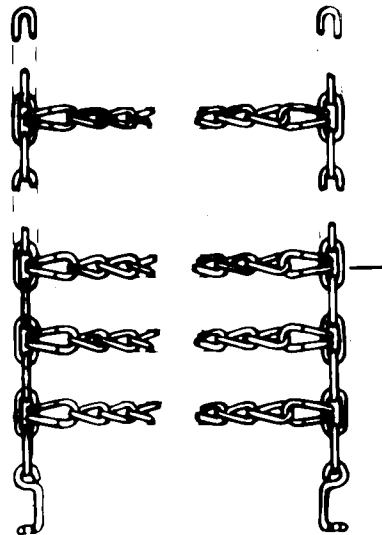
**1** KIT, COMPLETE (23 x 10.50 - 12 TIRES)



ITEM	PART NO.	DESCRIPTION
1	6-0459	KIT, AG REAR TIRE (INCLUDES FOLLOWING)
2	5-9569	WHEEL & TIRE ASSEMBLY - RIGHT SIDE
	1-9672	TIRE, 23 x 10.50 - 12 TUBELESS
	1-9663	RIM (INCLUDES VALVE )
	1-2234	VALVE
3	5-9568	WHEEL & TIRE ASSEMBLY - LEFT SIDE
	1-9672	TIRE, 23 x 10.50 - 12 TUBELESS
	1-9663	RIM (INCLUDES VALVE)
	1-2234	VALVE

# ACCESSORY

# TIRE CHAINS



**KIT #6-0385**  
for 23 x 10.50 - 12  
**REAR WHEELS**

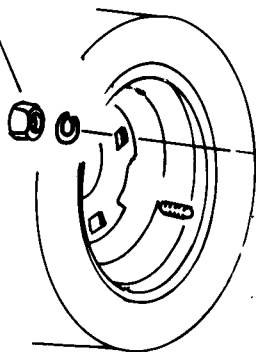
**(INCLUDES TWO CHAINS)**

# ACCESSORY

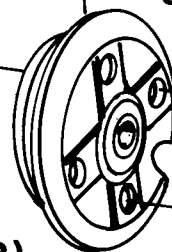
# REAR WHEEL WEIGHTS

**KIT #6-0452**

**9-0258 NUT (6)**



**6-0452 WEIGHT (ORDER KIT).**



**9-0254 SPLIT LOCK WASHER (4)**

**9-0250 FLAT WASHER (2)**

**1-3845 ROD (2)**  
1/2" x 8" LONG

**NOTE:** ONLY ONE WEIGHT PROVIDED IN EACH KIT-  
ORDER TWO KITS FOR BOTH REAR WHEELS  
OR FOUR KITS TO INSTALL TWO WEIGHTS PER WHEEL.

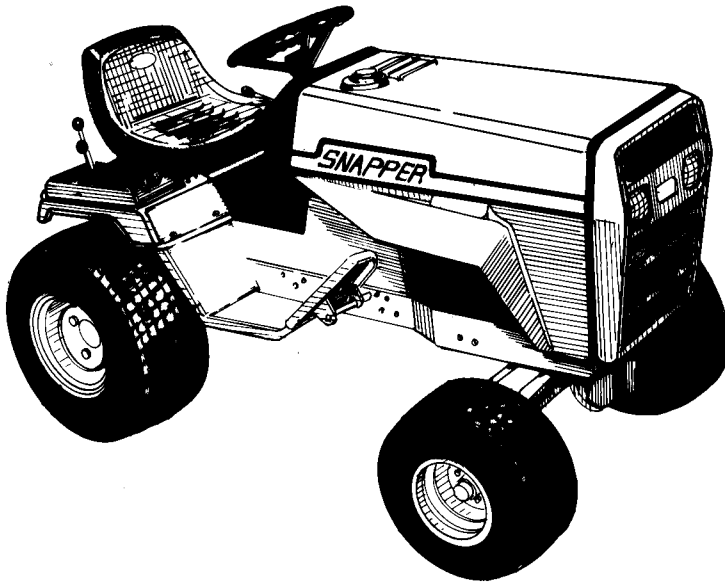


# SNAPPER<sup>®</sup>

## 1650 SERIES

### TRACTOR & ACCESSORIES

### PARTS MANUAL



**SNAPPER POWER EQUIPMENT**  
McDonough, GA • 30253



1-3709

MANUAL 06025 (CN 1-80)

Printed in U.S.A.

## Free Manuals Download Website

<http://myh66.com>

<http://usermanuals.us>

<http://www.somanuals.com>

<http://www.4manuals.cc>

<http://www.manual-lib.com>

<http://www.404manual.com>

<http://www.luxmanual.com>

<http://aubethermostatmanual.com>

Golf course search by state

<http://golfingnear.com>

Email search by domain

<http://emailbydomain.com>

Auto manuals search

<http://auto.somanuals.com>

TV manuals search

<http://tv.somanuals.com>