

INSTALLATION INSTRUCTIONS

IDLER ARM STOP KIT

MFG. NO. 1685167

FOR USE ON SIX-SPEED & SHUTTLE TRACTORS

MFG. NO. 1685170

FOR USE ON HYDRO TRACTORS



WARNING

For your personal safety, set the parking brake, place transmission in neutral, stop the engine and remove the key before performing adjustments or working on tractor.

NOTE

Read entire procedure before beginning.

KIT PARTS

Kit includes:

- | | |
|---------------------------|--------------------|
| 1 Idler Arm Stop | 1 Lockwasher, 5/16 |
| 1 Operating Zone Decal | 1 Hex Nut, 5/16 |
| 1 Capscrew, 5/16-18 x 3/4 | |

TOOLS REQUIRED

- | | |
|-----------------------------------|-------------|
| 11/32" Drill | 1/2" Socket |
| Scribe | 1/2" Wrench |
| 5/8" Socket w/ratchet & extension | |

PREPARATION

1. Remove mower from tractor.
2. Park tractor on a level, hard (preferably concrete) surface with front wheels pressing against a wall. There must be work space on left side and rear of tractor.
3. Place chocks behind front wheels to prevent rearward movement of tractor.
4. Raise rear of tractor so both rear tires are off floor. Use jack stands, trestle set or wooden blocking. Because tractor frame pivots from side-to-side about front axle, support must be provided on both rear side plates.
5. Remove left hand rear tire and wheel by removing five 5/8 inch lug bolts.



WARNING

After removing wheel and tire be sure vehicle is secure before proceeding.

INSTALLATION

Install the idler arm stop on the left hand side plate as follows.

1. Apply the operating zone decal to the front surface of the idler arm stop. Place decal against 90 degree bend and flush on bottom.
2. Release tension from mower belt and remove belt from tractor.
3. Loosen rear idler V-pulley and slide rearward in slotted bracket.
4. In the space between the rear idler bracket and front idler arm, place the stop against the side plate as shown in the illustration. Align the guide (on back of stop) against the bottom edge of side plate. Slide the stop into position shown with 1/16 inch between stop and rear idler bracket.
5. Hold the stop in position and scribe hole to be drilled. Remove the stop and drill a 11/32 inch hole.
6. Install the idler arm stop with the lockwasher and nut on the inside of the side plate.
7. Install the rear wheel and tire. Lower the tractor.
8. Install the mower and check belt tension as described in Mower Installation section of Operator's Manual. Rather than the 7/8 inch clearance shown in the manual you may also adjust the tension so the right hand edge of the idler arm appears in the green zone of the decal when the mower drive belt is engaged.
9. Operate the mower for 15 minutes then recheck the adjustment. Readjust if necessary.

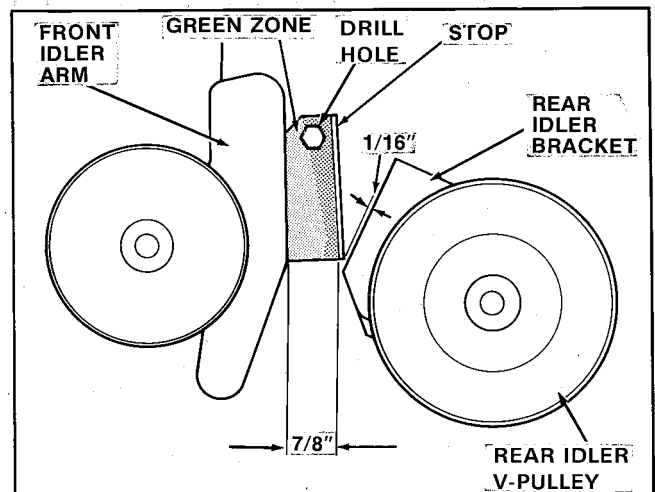


Illustration. Idler Arm Stop Kit Installed

FORM — 1667303
PRINTED IN U.S.A.
7911

Free Manuals Download Website

<http://myh66.com>

<http://usermanuals.us>

<http://www.somanuals.com>

<http://www.4manuals.cc>

<http://www.manual-lib.com>

<http://www.404manual.com>

<http://www.luxmanual.com>

<http://aubethermostatmanual.com>

Golf course search by state

<http://golfingnear.com>

Email search by domain

<http://emailbydomain.com>

Auto manuals search

<http://auto.somanuals.com>

TV manuals search

<http://tv.somanuals.com>