

OPERATOR'S MANUAL  
DUAL LIFT LEVER KIT  
MFG. NO. 1690044

FOR LATE MODEL TRACTORS

1. Attach quadrant assembly to tractor with two 3/8"-16 x 3/4 capscrews, 3/8 lockwashers and 3/8-16 hex nuts.

SPECIFICATIONS SUBJECT TO CHANGE WITHOUT NOTICE.

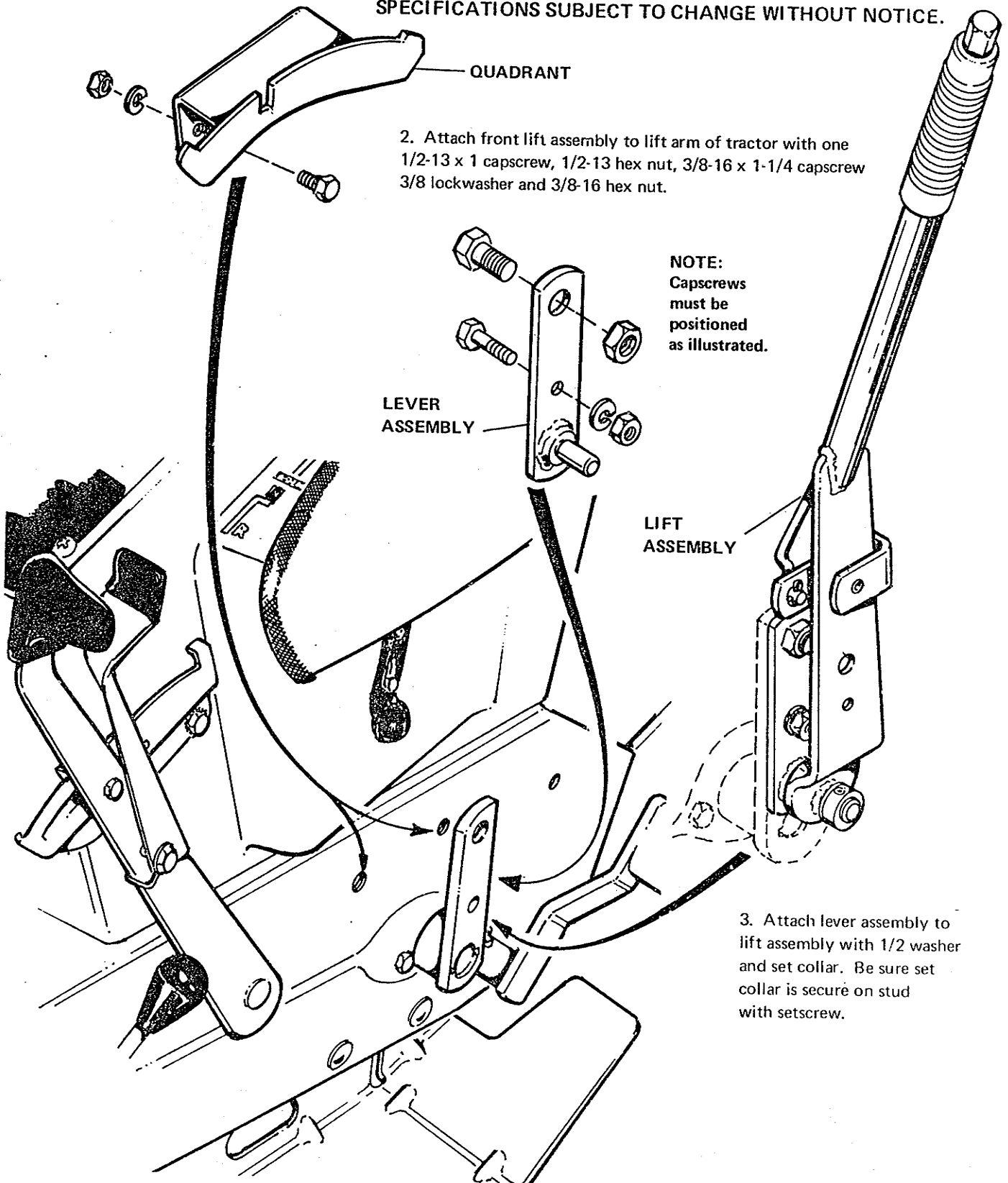
2. Attach front lift assembly to lift arm of tractor with one 1/2-13 x 1 capscrew, 1/2-13 hex nut, 3/8-16 x 1-1/4 capscrew, 3/8 lockwasher and 3/8-16 hex nut.

NOTE:  
Capscrews  
must be  
positioned  
as illustrated.

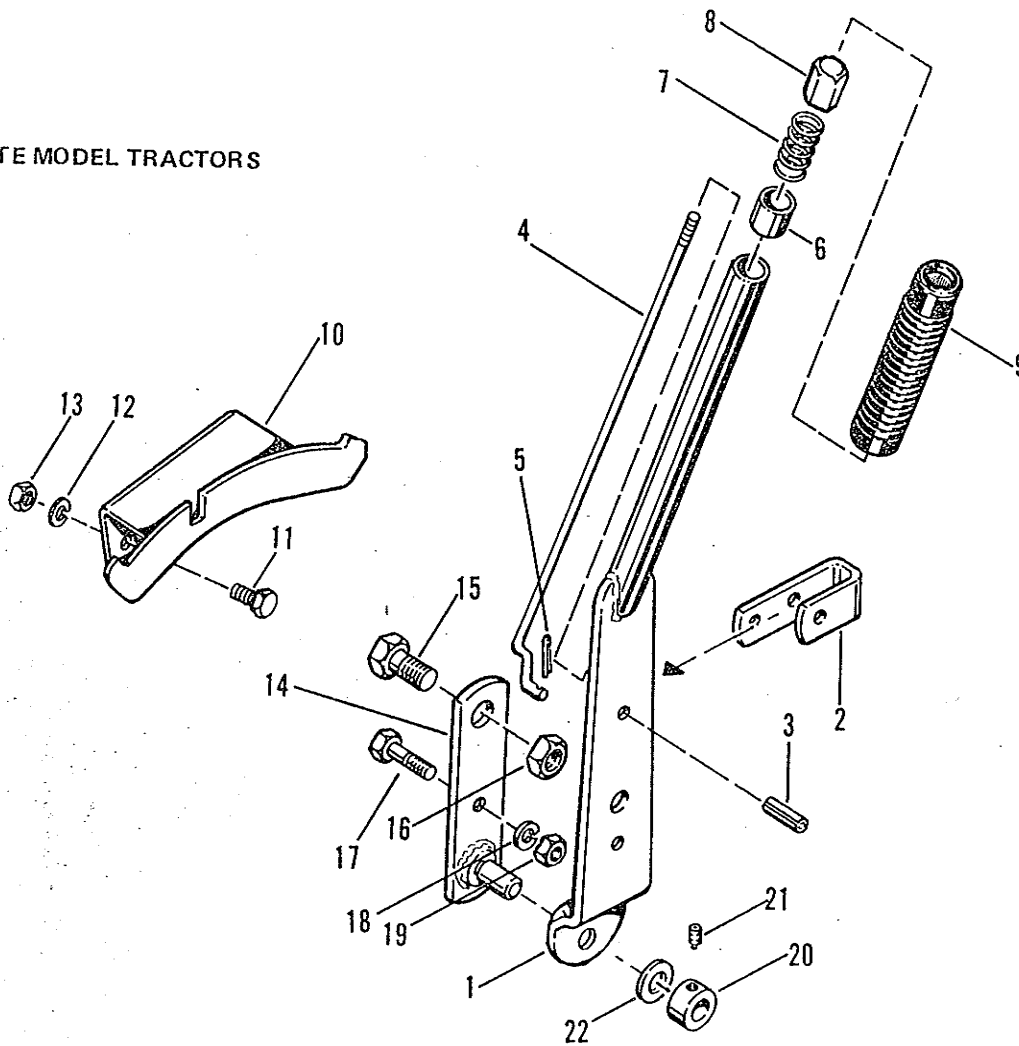
LEVER  
ASSEMBLY

LIFT  
ASSEMBLY

3. Attach lever assembly to lift assembly with 1/2 washer and set collar. Be sure set collar is secure on stud with setscrew.



FOR LATE MODEL TRACTORS



Ref. No.	Qty.	Description
1	1	LIFT LEVER ASSY.
2	1	LIFT LEVER LATCH
3	1	PIN, Roll, 3/8-1
4	1	ROD, Latch
5	1	PIN, Cotter, 3/32x3/4
6	1	SPACER
7	1	SPRING
8	1	BUTTON, Thumb
9	1	GRIP, Handle
10	1	QUADRANT ASSY.
11	2	CAPSCREW, Hex, 3/8-16 x 3/4
12	2	LOCKWASHER, 3/8
13	2	NUT, full hex, 3/8-16

Ref. No.	Qty.	Description
14	1	FRONT LIFT LEVER ASSEMBLY
15	1	CAPSCREW, Hex, 1/2-13 x 1
16	1	LOCKNUT, Center jam, 1/2-13
17	1	CAPSCREW, Hex, 3/8- 16 x 1-1/4
18	1	LOCKWASHER, 3/8
19	1	NUT, Hex, 3/8-16
20	1	COLLAR, Set
21	1	SETSCREW, 5/16- 18 x 1/4
22	1	WASHER, Flat, 1/2

## FOR EARLIER MODEL TRACTORS

1. On right side of tractor frame, locate mounting hole, (1, Figure 1) above lift lever shaft and at upper edge of tractor frame. With nut on inner surface of frame, align nut retainer (2, Figure 1) with mounting hole.

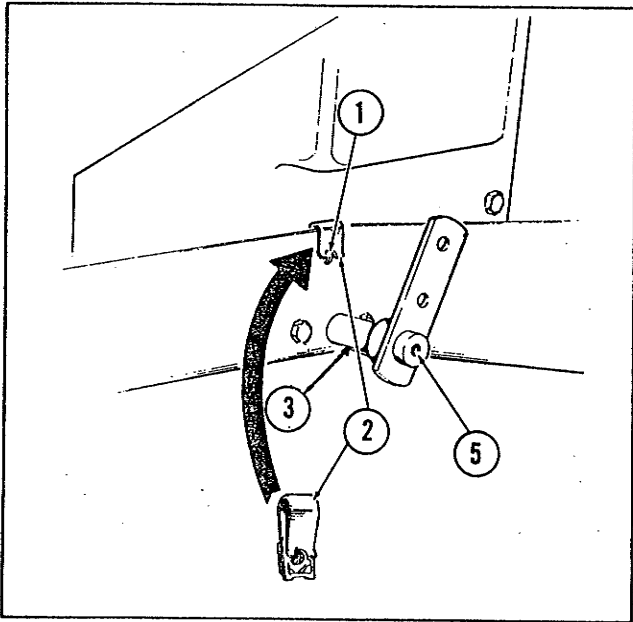


Figure 1.

2. Remove two cap screws, (3, Figure 1) from each side of lift lever shaft and, using removed cap screws, mount quadrant assembly (4, Figure 2) to side of tractor frame. Insert a cap screw (4, Figure 3) and lockwasher (19) into upper mounting hole of quadrant and tighten into nut retainer installed in step 1.

3. Try cap screws (21 and 24, Figure 3) in lift lever mounting hole (5, Figure 1).

a. If 7/16-inch diameter cap screw (24, Figure 3) fits hole, place a spacer (22) in large hole in end of lift lever assembly. Position two flat washers (25) on each side of spacer. Secure washers, spacer, and lift lever assembly (5) to end of lift lever shaft with cap screw (24) and lockwasher (23). See Figure 2, 5. Tighten cap screw (24) securely.

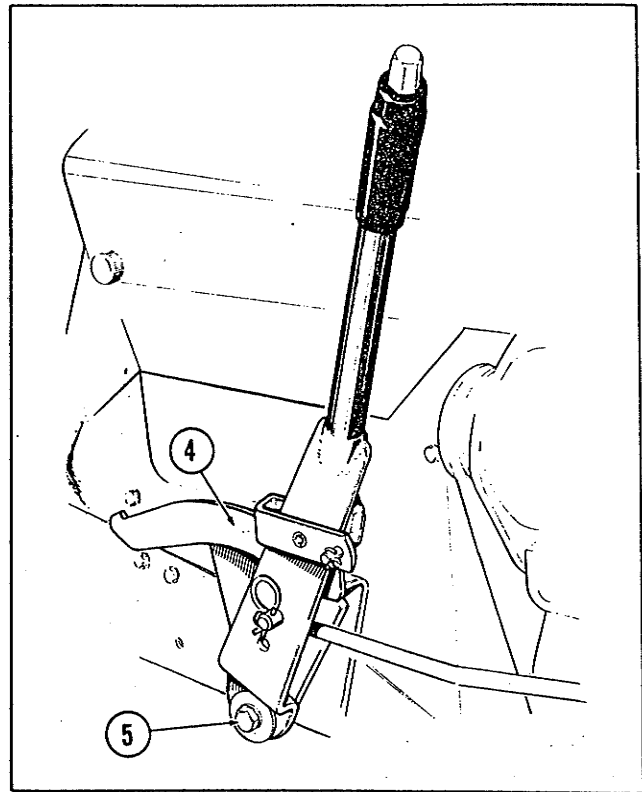
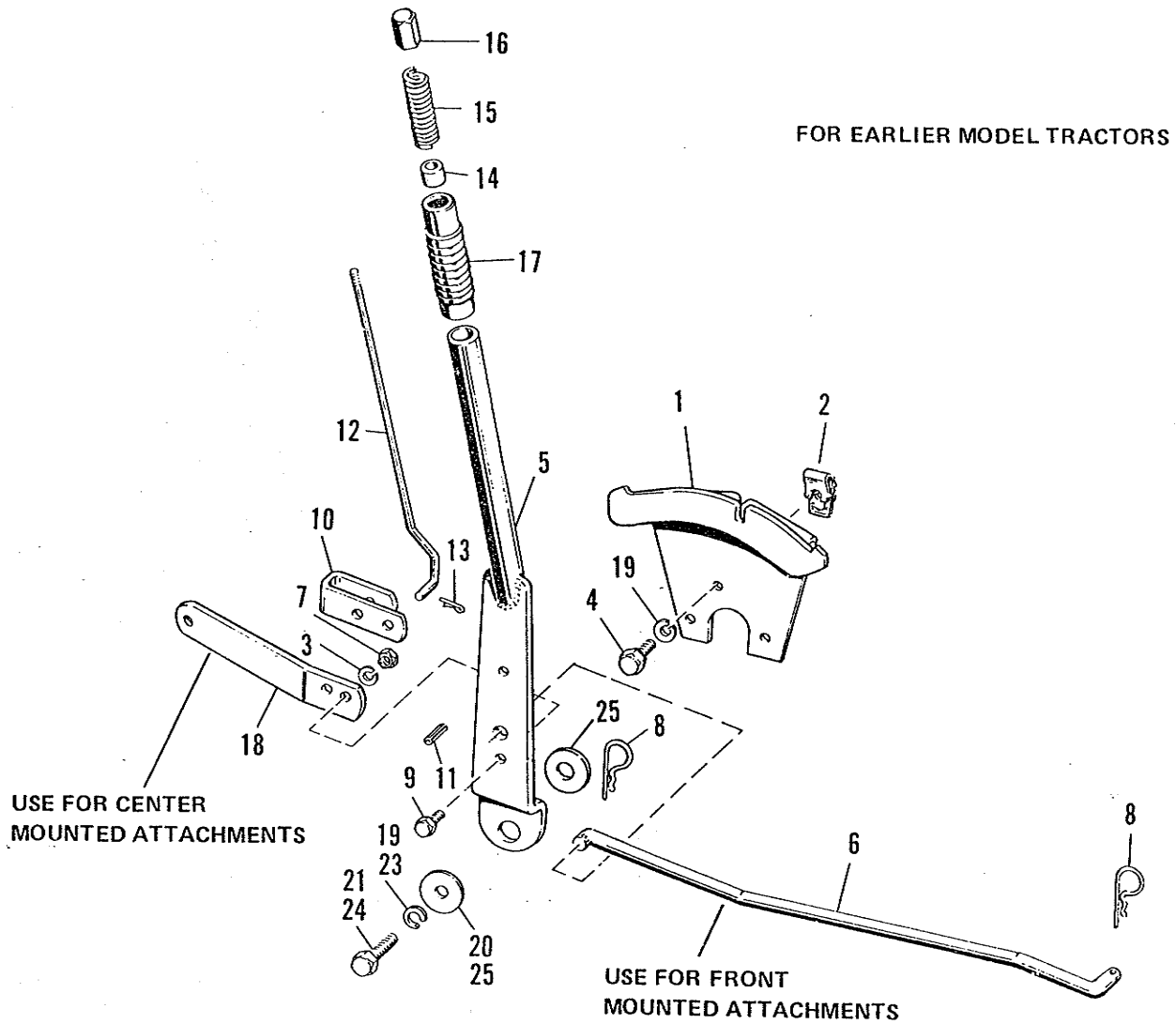


Figure 2.

b. If 5/16-inch diameter cap screw (21, Figure 3) fits hole, place lift lever assembly on shaft and secure with cap screw (21), lockwasher (19) and flat washer (20).

4. For use with front mounted attachments, secure front lift rod (6, Figure 3) in lift lever assembly mounting hole with hairpin clip (8).

5. For use with center mounted attachments, attach lift lever (18, Figure 3) to inside flat face of lift lever assembly (5) with a cap screw (9), lockwasher (3), and nut (7).



Ref. No.	Qty.	Description
1	1	QUADRANT ASSY.
2	1	NUT, Retainer
3	1	LOCKWASHER, 3/8
4	1	CAPSCREW, Hex, 5/16-18 x 3/4
5	1	LEVER ASSY., Lift.
6	1	ROD, Lift, Front
7	1	NUT, Hex 3/8-16
8	2	CLIP, Hairpin
9	1	CAPSCREW, Hex, 3/8-16 x 7/8
10	1	LATCH, lift lever
11	1	PIN, Roll, 3/8 x 1
12	1	ROD, Latch
13	1	PIN, Cotter, 3/32 x 3/4

Ref. No.	Qty.	Description
14	1	SPACER
15	1	SPRING
16	1	BUTTON, Thumb
17	1	GRIP, Handle
18	1	LEVER, Lift
19*	1	LOCKWASHER, 5/16
20*	1	WASHER, Flat, 5/16
21*	1	CAPSCREW, Hex, 5/16-18 x 5/8
22**	1	SPACER
23**	1	LOCKWASHER, 7/16
24**	1	CAPSCREW, Hex, 7/16-14 x 1-1/2
25**	2	WASHER, Flat, 7/16

\* Use with lift lever shaft having 5/16-inch lift lever mounting hole.

\*\* Use with lift lever shaft having 7/16-inch lift lever mounting hole.

Figure 3.

## Free Manuals Download Website

<http://myh66.com>

<http://usermanuals.us>

<http://www.somanuals.com>

<http://www.4manuals.cc>

<http://www.manual-lib.com>

<http://www.404manual.com>

<http://www.luxmanual.com>

<http://aubethermostatmanual.com>

Golf course search by state

<http://golfingnear.com>

Email search by domain

<http://emailbydomain.com>

Auto manuals search

<http://auto.somanuals.com>

TV manuals search

<http://tv.somanuals.com>