

INSTALLATION INSTRUCTION

LIFT LEVER MFG. NO. 1690170

The lift lever is used to raise and lower front mounted attachments. To install the lift lever on your tractor, proceed as follows:

1. Attach the small support bracket to the inside of the left frame with the 2 long cap-screws, flat washers, lockwashers, and nuts provided (see figure 1). Insert the long cap-screws through the frame, then place two (2) washers on each cap-screw. Next place the support on the cap-screws. Then place a lock-washer and nut on each cap-screw and tighten finger tight.
2. Slide the end of the lift lever shaft through the small support bracket and position the large support bracket as shown in figure 2.
3. Attach the large support bracket to the inside of the right frame and the outside of the right foot rest. Use the 4 remaining cap-screws, lockwashers and nuts provided (see figure 2). Install the cap-screws from the outside of the tractor, with the lockwashers and nuts to the inside. After positioning all hardware, tighten all nuts.
4. See the particular operator's manual for the attachment you are planning to use for directions on how to attach the lift lever to that attachment.

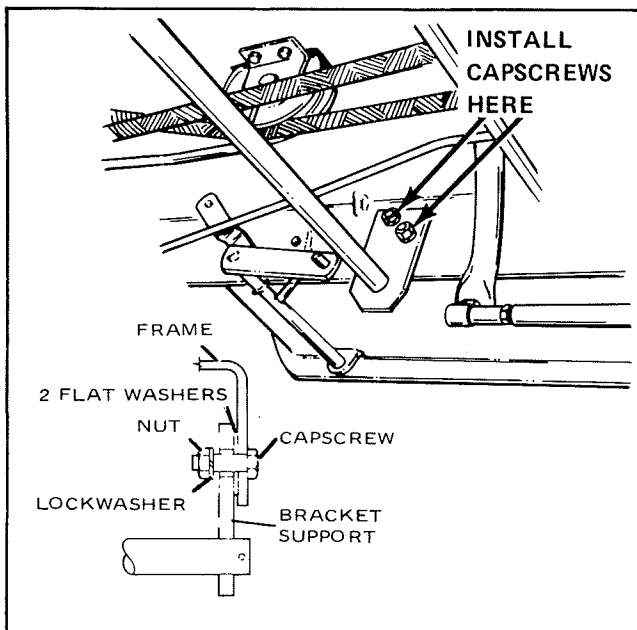


Figure 1.

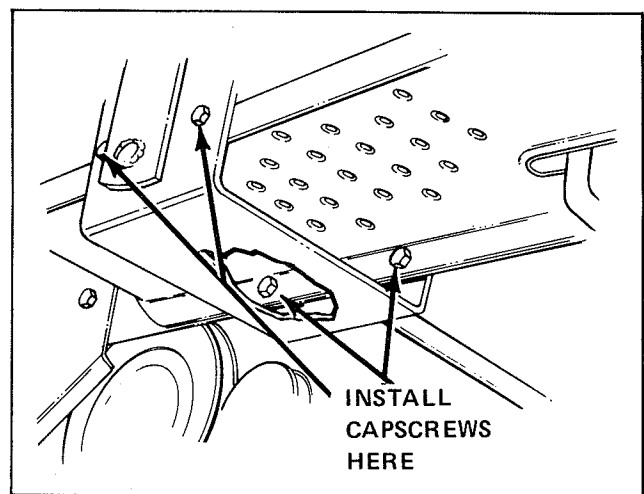


Figure 2.

Free Manuals Download Website

<http://myh66.com>

<http://usermanuals.us>

<http://www.somanuals.com>

<http://www.4manuals.cc>

<http://www.manual-lib.com>

<http://www.404manual.com>

<http://www.luxmanual.com>

<http://aubethermostatmanual.com>

Golf course search by state

<http://golfingnear.com>

Email search by domain

<http://emailbydomain.com>

Auto manuals search

<http://auto.somanuals.com>

TV manuals search

<http://tv.somanuals.com>