

INSTALLATION INSTRUCTIONS

LEAF BAG KIT MFG. NO. 1690299

The leaf bag kit is used on walk-behind mowers equipped with rear-mounted grass bags as a standard feature. The kit contains a bag with a larger capacity for leaf collecting than the original bag offered with the mower for grass collecting. To install the leaf bag kit on the walk-behind mower, proceed according to the following step-by-step instructions.



WARNING

For your personal safety, before removing the leaf bag stop the engine and be sure all moving parts have stopped. On manual start mowers turn the engine speed control to OFF and remove the spark plug wire. On electric start models remove the key or disconnect the battery and also remove the spark plug wire. Follow all safety warnings given in your walk-behind mower Operator's Manual.

MOWER PREPARATION

1. Following the instructions in your mower Operator's Manual, remove the rear-mounted grass bag and original grass chute or the deck plate, whichever is installed on your mower.
2. If not already in place for bagging or mulching, install the original baffle plate in the mower deck according to the instructions in your mower Operator's Manual.

INSTALLING LEAF BAG KIT

1. Pivot the bag support (item D, figure 1) for regular grass bag rearward out of the way.

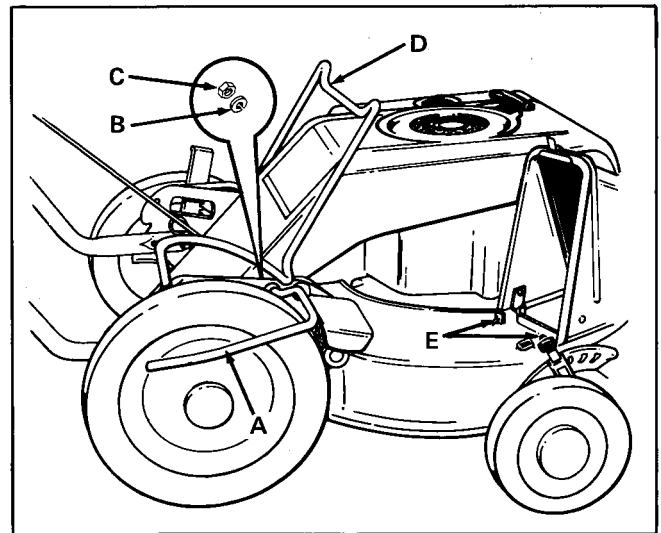


Figure 1. Installing Bag Guard

2. Install bag guard (item A, figure 1) for leaf bag in the hole provided on the right-hand, rear wheel bracket assembly. Install lock-washer and hex nut (items B and C) finger-tight.
3. Pivot bag support (item D) forward again.
4. Position bag guard (item A) as shown so it will not interfere with the bag support when it is resting on the bracket assembly. Tighten hex nut to hold bag guard. In this position the leaf bag guard can remain in place permanently.
5. Remove bag support (item D) from mower and store with grass bag.
6. Install the new chute provided on the mower deck by sliding its catches under the spring bolts (items A, figure 2) and installing the wing screw (item B).

7. Next install the bag support rod (item D) as shown using the spring clip (item E) provided.
8. With the loop (item C) at the top as shown, install the new bag by slipping the bottom edge of the bag opening in place between the two tabs (item E, figure 1) and the chute. Then push the top edge of the opening onto the chute and into the clip (item F, figure 2).

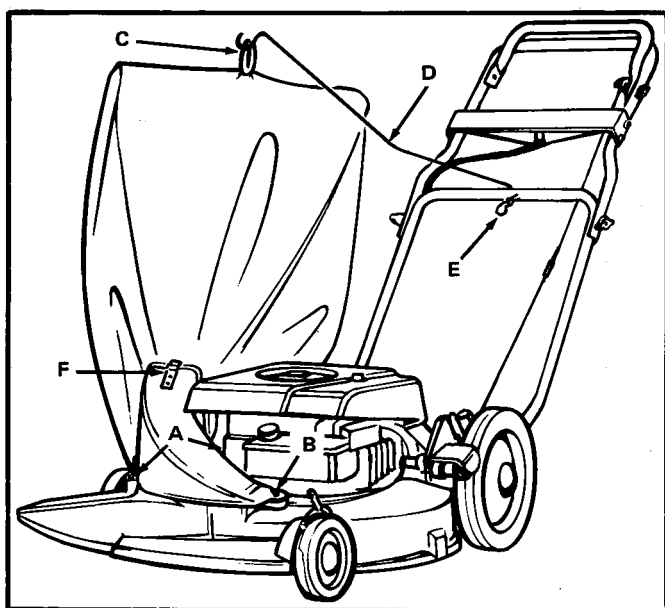


Figure 2. Installing Leaf Bag

9. Be sure that the bag zipper is closed.
10. Reinstall the spark plug wire and, on electric start models, connect the battery.



WARNING

For your personal safety, never start or operate the mower unless the leaf bag, original grass bag, or deck plate is fully installed on the mower.

OPERATION

For starting and stopping of the mower, mowing patterns, maintenance, engine speeds, and other aspects of mower operation when the leaf bag is installed, follow the instructions in the Operator's Manual provided with your mower.

OPERATION ON SLOPES

Be aware that the weight of a full leaf bag at one side of the mower will affect the stability of the mower, especially on slopes and especially when the bag is on the downhill side. It is strongly recommended that the leaf bag be emptied more often than is necessary when mowing slopes; doing so reduces the potential hazard a full bag presents.



WARNING

Accidents can result from the operator slipping when mowing up and down the face of slopes. Always mow across the face of slopes; NEVER up and down.

The chances of an operator slipping towards the mower are greatest when mowing up and down the face of slopes, so always mow across the face of slopes and never up and down. Do not attempt to mow excessively steep slopes, and always exercise extreme caution when changing directions on any slope. Also, do not mow on slopes when the grass is wet and slippery.

On self-propelled models, use the slow drive speed when mowing slopes.

EMPTYING THE LEAF BAG



WARNING

For your safety, before removing or opening the leaf bag be sure the engine is shut off and all moving parts have stopped.

1. Lift the back of the bag off the support rod and pull the intake end of the bag off the chute.
2. Dispose of leaves and clippings where desired by unzipping the bag.
3. Reinstall the bag, checking to be sure it is properly installed and that the zipper is closed.

REMOVE THE LEAF BAG



WARNING

For your personal safety, before removing the leaf bag stop the engine and be sure all moving parts have stopped. On manual start mowers turn the engine speed control to OFF and remove the spark plug wire. On electric start models remove the key or disconnect the battery and also remove the spark plug wire. Follow all safety warnings given in your walk-behind mower Operator's Manual.

1. Remove the bag from the support rod and from the chute. Clean the inside of the bag and store it in a dry place.
2. Remove the spring clip and the bag support rod. Remove the wing screw and slide the chute free from the spring bolts.
3. Reinstall deck plate or grass bag and chute.
4. Reinstall spark plug wire and connect battery.

Free Manuals Download Website

<http://myh66.com>

<http://usermanuals.us>

<http://www.somanuals.com>

<http://www.4manuals.cc>

<http://www.manual-lib.com>

<http://www.404manual.com>

<http://www.luxmanual.com>

<http://aubethermostatmanual.com>

Golf course search by state

<http://golfingnear.com>

Email search by domain

<http://emailbydomain.com>

Auto manuals search

<http://auto.somanuals.com>

TV manuals search

<http://tv.somanuals.com>