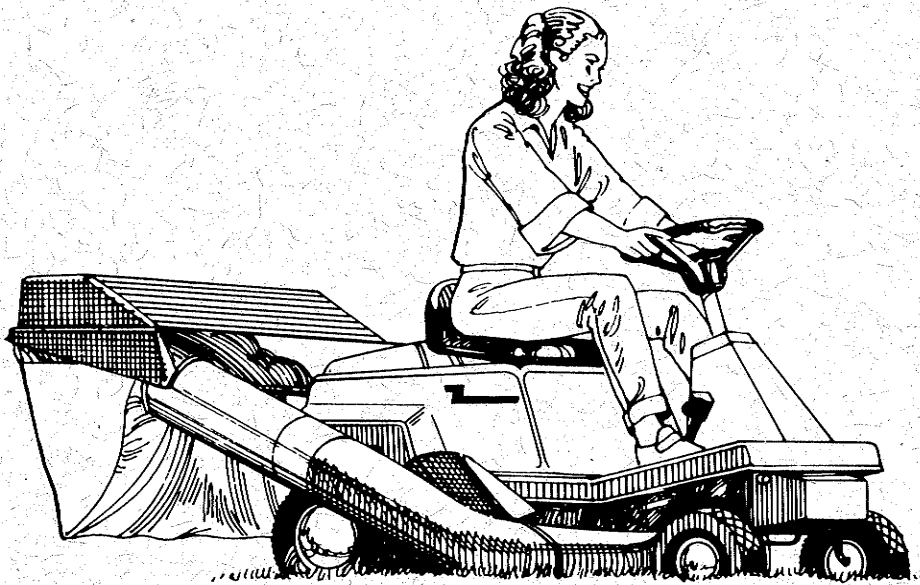


OPERATOR'S MANUAL

REAR GRASS CATCHER



REAR GRASS CATCHER
WITH 26" OR 30" MOWER
MFG. NO. 1690550

REAR GRASS CATCHER
WITH 36" MOWER
MFG. NO. 1690551

FORM — 1667105-02
PRINTED IN U.S.A.
803

Table of Contents

SAFETY RULES	1
SPECIFICATIONS	1
INSTALLATION & REMOVAL	
Installation	2
Removal	4
OPERATION & MAINTENANCE	4
TROUBLESHOOTING	5
ASSEMBLY	6

Safety Rules



WARNING

Do not operate the rider unless the entire grass collector system or discharge deflector is properly installed.



WARNING

Always use counterweight when grass catcher is installed.



WARNING

Do not remove any parts of the grass catcher while the engine is running.



WARNING

Disengage mower and turn off engine before removing cover. Do not remove catcher tube from adaptor or bag while mower is running.

Never operate mower without the grass catcher unless mower discharge deflector is installed.



WARNING

Read and obey all safety warnings in your rear engine rider Operator's Manual.

Specifications

HEIGHT	(Top of cover to bottom of bag) - 27 Inches (69 cm)
WIDTH	(Overall of cover) - 39 Inches (99 cm) (Left side of tractor to extreme right side of Grass Catcher) - 42 Inches (107 cm)
GROUND CLEARANCE	(To bottom of bag) - 3 Inches (76 mm) on 26" Mower; 4 Inches (101 mm) on 30" and 36" Mowers
CAPACITY	5 bushels (0.18 cubic meters)
COUNTERWEIGHT	17 lbs. (8 kg) (dry sand) or 20 lbs. (9 kg) (wet sand)

Installation & Removal

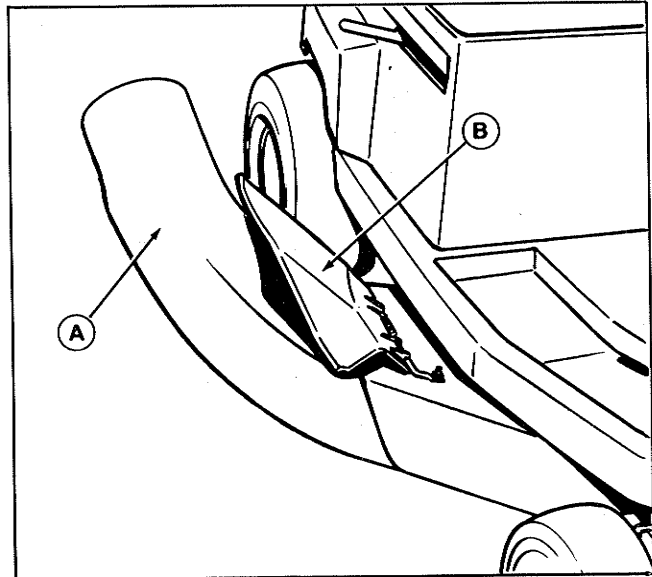
INSTALLATION

NOTE

Make sure all parts have been assembled as described in Assembly section. For the 26" or 30" mower, especially be sure the lifts are installed as described on page 8.

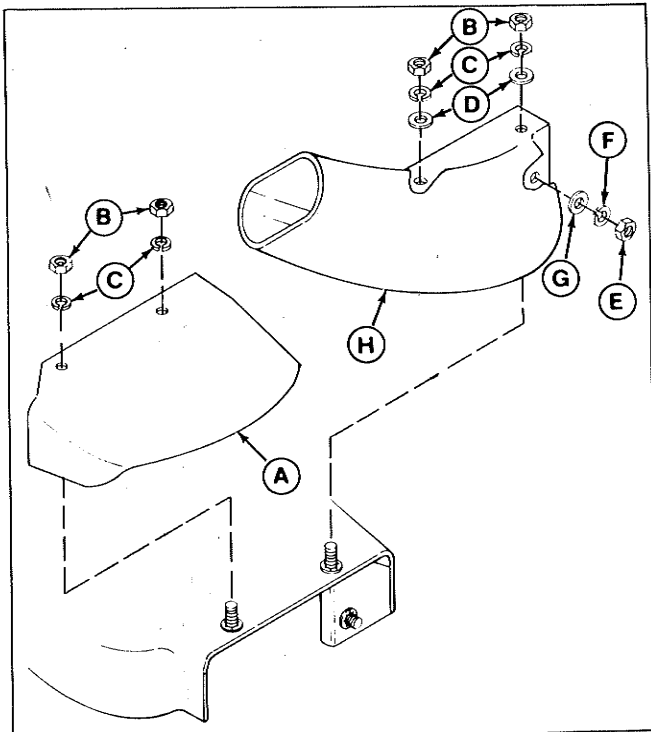
1. For the 36" mower, perform step "a". For the 26" or 30" mower, perform step "b".
 - a. Remove the deflector, if not already done. Remove the nut (E, figure 1), lockwasher (F) and flat washer (G) from bolt on side of discharge opening. Place the grass catcher adaptor (H) over the three bolts at discharge opening. Reinstall the flat washer (G), lockwasher (F) and nut (E). Install the two 3/8" washers (D) and the two original lockwashers (C) and nuts (B) on the two top bolts as shown in figure 1.

washers, lockwashers and nuts to secure adaptor in place.



A. Adaptor
B. Discharge Deflector

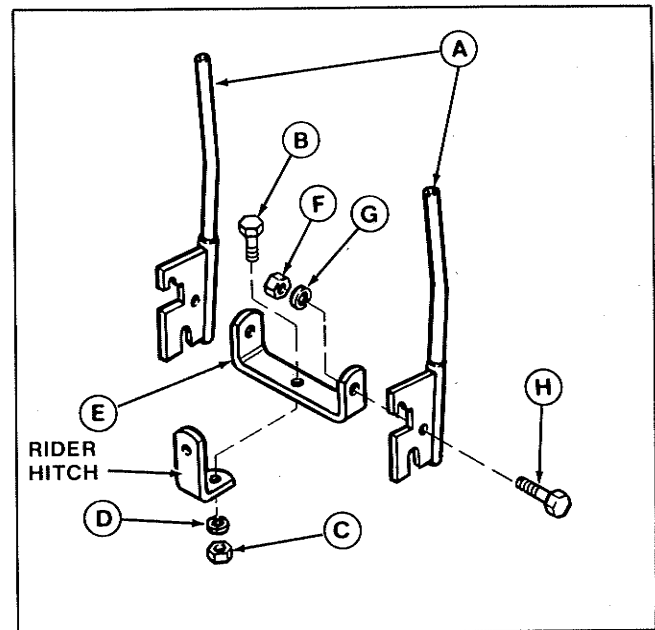
Figure 2. Grass Catcher Adaptor, 26" or 30" Mower



A. Mower Discharge Deflector
B. Nut
C. Lockwasher
D. Flat Washer, 3/8"
E. Nut
F. Lockwasher
G. Flat Washer
H. Grass Catcher Adaptor

Figure 1. Grass Catcher Adaptor, 36" Mower

- b. Raise the deflector and install the adaptor over the bolts as shown in figure 2. Install two 5/16"

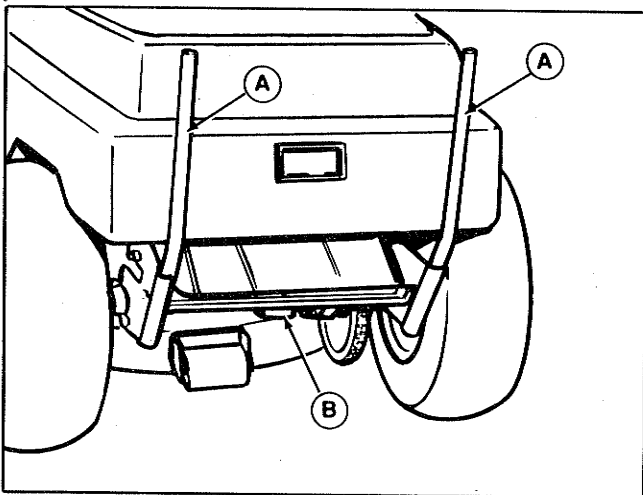


A. Support Arms
B. Capscrew, 3/8-16 x 1
C. Nut, 3/8-16
D. Lockwasher, 3/8
E. Bar
F. Nut, 5/16
G. Lockwasher, 5/16
H. Capscrew, 5/16-18 x 3/4

Figure 3. Support Arm Assembly

2. The support arms must be installed on the rear of the rider. The support arms (A, figure 3) are hooked over the spacers which were installed in the Assembly section. The bar (E) is bolted to the rider hitch. Figure 4 shows the assembly installed. The following procedure is one method to install this assembly.

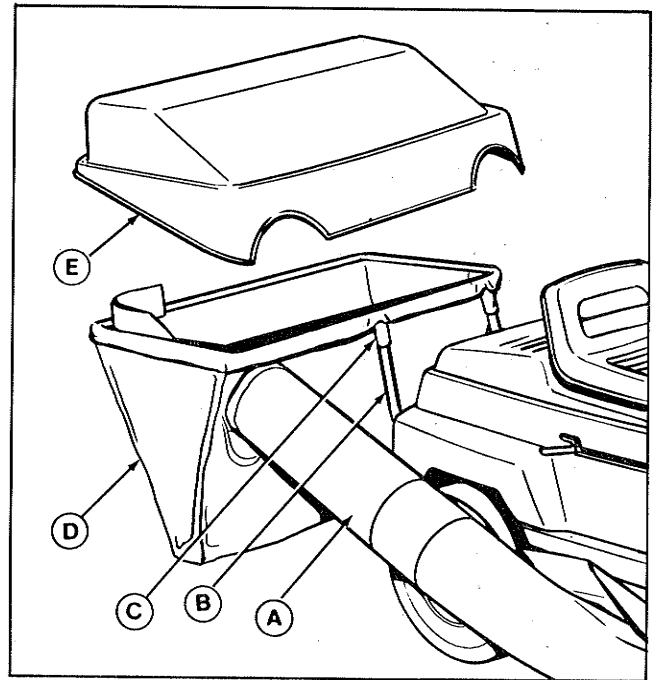
- a. Attach one of the arms (A, figure 3) to the bar (E) with the capscrew (H), lockwasher (G), and nut (F). Install the hardware loose. Hook the arm onto the two spacers on one side. Position the bar (E) on top of the rider hitch and align the hole in the bar with the hole in the rider hitch. See figure 4.
- b. Hook the other arm onto the two spacers on the other side. Attach the arm to the bar (E) with the capscrew (H), lockwasher (G) and nut (F). Tighten the hardware on both sides to secure the arms to the bar.
- c. Attach the bar to the hitch with the capscrew (B), lockwasher (D), and nut (C).



A. Support Arms
B. Rider Hitch

Figure 4. Support Arms Installed

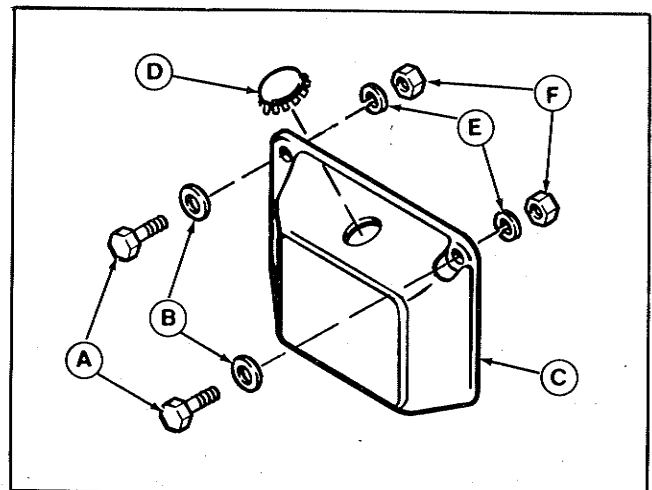
3. Install the discharge tube, with its screws on the bottom (facing down), over discharge end of grass catcher adaptor.
4. Install bag assembly (D, figure 5) by slipping its tubes (C) over the support arms (B).
5. Slip discharge tube (A) into hole in bag assembly.
6. Position cover (E) over frame of bag assembly and push it down firmly so clips on underside of cover lock onto frame.



A. Grass Discharge Tube D. Bag Assembly
B. Support Arms E. Cover
C. Bag Tubes

Figure 5. Install Bag & Cover

7. The counterweight must be filled with wet sand. To do this, remove the plug (D, figure 6). Fill the counterweight with sand and add water till full. Reinstall the plug. The counterweight should weight at least 20 lbs. There are two holes in the front frame. Use hardware shown in figure 6 to install counterweight to frame. Do not over tighten bolts.



A. Capscrew, 5/16-18 x 3/4 D. Plug
B. Washer, 11/32 x 1 E. Lockwasher, 5/16
C. Counterweight F. Nut, 5/16

Figure 6. Counterweight Assembly

REMOVAL

To mow without the grass collector, remove the following parts.

1. Pull the cover off the bag assembly. The clips will unlock from bag frame as you lift.
2. Lift the bag assembly off the support arms, folding the bag back as needed to clear discharge tube.
3. If desired, the support arms can be removed by removing the capscrew, lockwasher and nut that secures it to the hitch. Pull the support arms up off the spacers.
4. Slide the discharge tube off the grass catcher adaptor.
5. Remove the grass catcher adaptor by removing the washers, lockwashers and nuts that hold it in place. For the 36" mower, place the discharge deflector down over the two top bolts and secure it in place with the lockwashers and nuts (see figure 1). For the 26" and 30" mower reinstall the lockwashers and nuts on the bolts and place the deflector in down position. Do not install the two flat washers; store them for use with grass catcher.
6. For the 26" or 30" mower only, the two lifts must be removed from the blade (see figure 12). Block up the rider and mower as described in "Blade Removal & Installation" section in rider Operator's Manual. Be sure to set parking brake and to place wood block under front edge of mower to keep mower from falling. Remove lifts and hardware shown in figure 12.
7. To mow with the grass catcher, perform "Installation" instructions (page 2).

Operation & Maintenance

OPERATION

Follow the operating instructions in your Rear Engine Rider Operator's Manual.

Before each use, check the grass catcher to be sure that it is properly assembled and installed. Be sure that all screws, nuts and spring clips are securely fastened.

During operation, it is necessary to check the bag contents at intervals. If the bag is full or nearly full, empty it as described in the procedure in this section. Otherwise, the bag can overflow and quickly cause filling and plugging of the discharge tube and mower.



WARNING

Shut off engine, set parking brake and wait for all moving parts to stop before attempting to clear a plugged discharge chute.

Do not try to collect damp or wet grass. Wet grass will stick to the mower. Wait until dew or rain has evaporated before mowing.

After each use, empty the grass catcher as described in the Operation section. If the bag is wet, dry it. Store the grass catcher on or off the rider in a dry enclosed area.

Control the ground speed by selecting the appropriate gear. See Selecting Gears and Engine Speed in your rider Operator's Manual.

EMPTY THE GRASS CATCHER



WARNING

Shut off engine and set parking brake before attempting to empty grass catcher. Do not remove any parts of the grass catcher while the engine is running.

To empty the grass catcher, pull up on cover to unsnap clips. Remove cover and set it aside. Then lift grass bag assembly off hanger, folding bag back as necessary to clear discharge tube. Turn bag assembly over to empty it and then reinstall it on hanger. Tap cover a few times to remove any material on the inside. Then place cover back over bag assembly and push it firmly to lock clips to bag frame.

OFF-SEASON STORAGE

To protect your grass catcher, store it in an enclosed dry area. If stored in a garage, keep the bag assembly on a shelf or hang it on a wall where the bag will not come in contact with water or melted snow. Store the cover and grass discharge tube in a similar manner to prevent breakage. To prepare the unit for off season storage, proceed as follows:

1. Remove unit from rider (See "Removal" on this page).
2. Clean unit to remove all grass and dirt.
3. Coat all bare metal surfaces with paint or a light coat of oil to prevent rusting.

Troubleshooting

This section provides troubleshooting instructions for the more common and easily corrected problems. See Table 1. For problems not covered, see your dealer.



WARNING

To avoid serious injury, perform maintenance on the grass catcher only after stopping the rider engine and waiting for all moving parts to come to a complete stop. Always remove the ignition key before beginning the maintenance to prevent accidental starting of the engine. Disconnect spark plug wire and fasten away from plug.

Problem	Cause/Remedy
<p>1. Leaves and grass not being completely picked up.</p>	<p>A. Engine speed too slow. Run at 3/4 to full throttle.</p> <p>B. Ground speed too fast. Use lower gear.</p> <p>C. Mower drive belt slipping. Increase belt tension per rider Operator's Manual.</p> <p>D. Discharge tube plugged. Stop engine and remove key. Then remove and unplug discharge tube.</p> <p>E. Using wrong mower blade. For 26" or 30" mower install lift tabs. For 36" mower install new blade. See "Install Grass Catcher Blade & Baffle" in Assembly section.</p>
<p>2. Grass catcher discharge tube or mower plugs easily.</p>	<p>A. Grass or leaves too wet. Wait for drier conditions.</p> <p>B. Grass too high. Reduce tractor ground speed, reduce cutting width or raise mower adjustment for the first pass, lower it for the second pass.</p> <p>C. Bag full. Empty bag.</p> <p>D. Screen in grass bag cover clogged. Remove cover and clean screens.</p> <p>E. Using wrong mower blade. For 26" or 30" mower install lift tabs. For 36" mower install new blade. See "Install Grass Catcher Blade & Baffle" in Assemble section.</p> <p>F. Build-up of cut grass in mower or adaptor. Clean thoroughly.</p>

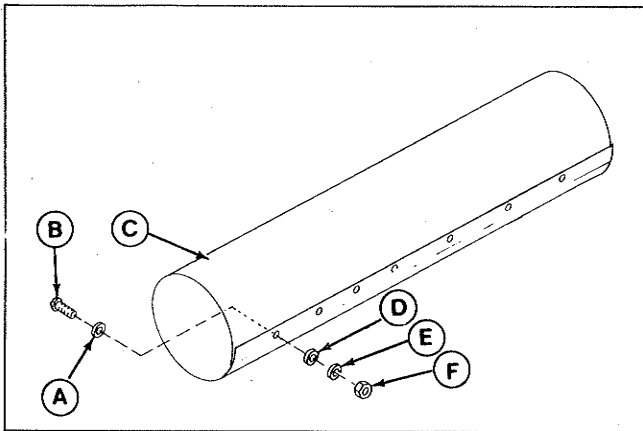
Table 1. Troubleshooting

Assembly

Before the grass catcher can be used, parts must be assembled onto the rider and the mower. The grass discharge tube and bag assembly also need to be assembled. The parts assembled to the rider and mower in this section may remain permanently except for the two blade lifts on the 26" or 30" mower. After completing assembly, go to the Installation & Removal section (page 2) and perform "Installation" instructions. To mow without the grass catcher, perform "Removal" instructions on page 4.

ASSEMBLE GRASS DISCHARGE TUBE

To assemble the grass discharge tube, roll the clear plastic material (C, figure 7) into a tube. Place a flat washer (A) on a screw (B) and insert the screw through the pair of holes along the edges of the plastic. The screw head must be on the inside of the tube. Then place another flat washer (D) and a lockwasher (E) on the screw outside of the tube before installing the nut (F). For the 26" and 30" mower, repeat this procedure seven more times to fasten the tube together at the eight sets of holes. For the 36" mower, repeat the procedure six more times to fasten the tube together at the seven sets of holes. Tighten all nuts.

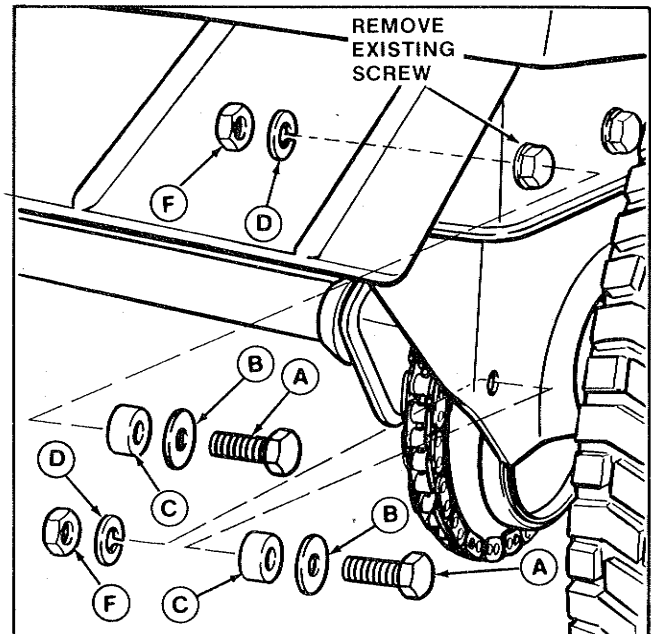


- A. Flat Washer, 3/16
- B. Screw, Phillips, 10-32 x 3/8
- C. Plastic Material
- D. Flat Washer, 3/16
- E. Lockwasher, #10
- F. Nut, #10-32

Figure 7. Assemble Discharge Tube

ASSEMBLE MOUNTING HARDWARE TO RIDER

Remove the existing screw and install hardware in right rear side plate as shown in figure 8. Notice that the screws, plain washers and spacers are installed from the outside. The lockwashers and nuts are inside. Repeat the procedure on the left rear side plate.

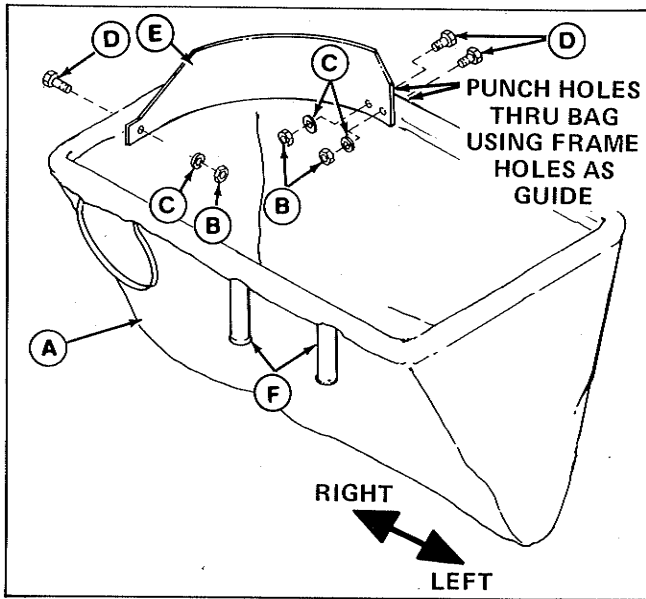


- A. Capscrew, 5/16-18 x 1
- B. Flat Washer, 5/16
- C. Spacer
- D. Lockwasher, 5/16
- E. Nut, 5/16-18
- F. Right Rear Tire

Figure 8. Assemble Mounting Hardware

ASSEMBLE BAG UNIT

1. Fully open zipper and place bag inside frame with discharge tube hole to right of frame support tubes as shown in figure 9.
2. Pull bag forward and slip holes over frame support tubes (F).
3. Start and fully close zipper to hold bag to frame.
4. Place deflector (E) inside of frame with narrow part near right front corner as shown in figure 9. Fasten deflector to frame at this point with hardware shown in figure 9.
5. Bend deflector to shape shown in figure 9 so other end fits inside of frame. Secure this end of the deflector to the frame using two capscrews (D), lockwashers (C), and nuts (B).



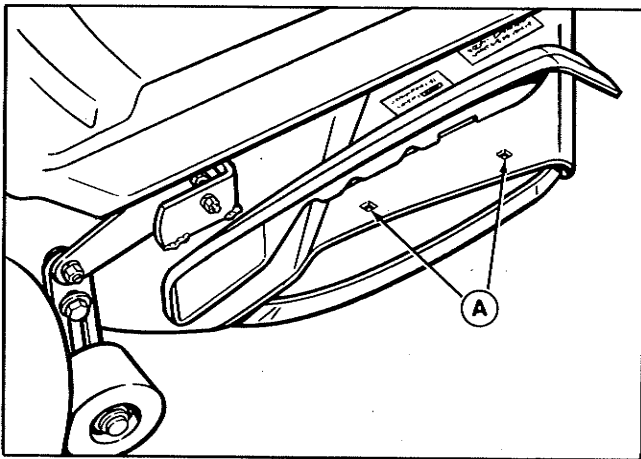
- A. Bag
- B. Nut, 1/4-20
- C. Lockwasher, 1/4
- D. Capscrew, 1/4-20 x 1-1/4
- E. Deflector
- F. Frame Support Tubes

Figure 9. Assemble Bag Unit

ASSEMBLE ADAPTOR HARDWARE

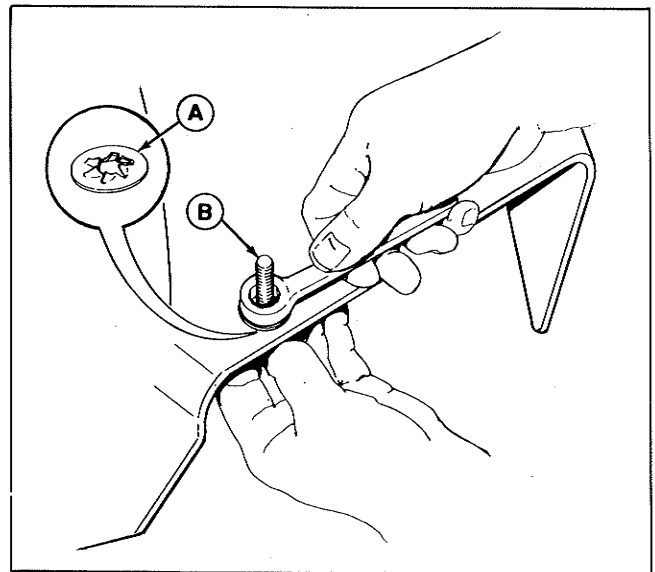
26" or 30" Mower

Install the two 5/16-18 x 3/4 carriage bolts from bottom thru the two holes shown in figure 10. Place a push nut on the end of each bolt. Use a box wrench to push the nuts fully down on the bolt threads to hold bolts to mower (figure 11).



A. Adaptor Mounting Holes - 26" or 30" Mowers

Figure 10. Assemble Parts to Mower



- A. Push Nut
- B. Carriage Bolt

Figure 11. Install Push Nuts



WARNING

Do not handle mower blades with bare hands. Careless or improper handling may result in serious injury.

36" Mower

1. Remove the deflector from right side of mower by removing two nuts, lockwashers and bolts.
2. Install the two carriage bolts removed in step 1 upward through holes in mower. Place a push nut on the end of each bolt. Use a box wrench to push the nut fully down on the bolt threads to hold the bolts to the mower. Place one of the 3/8 inch washers on each of the bolts. Install original lockwashers and nuts removed in step 1 on these bolts (these parts will be used later to install grass catcher adaptor).

INSTALL PARTS TO MOWER



WARNING

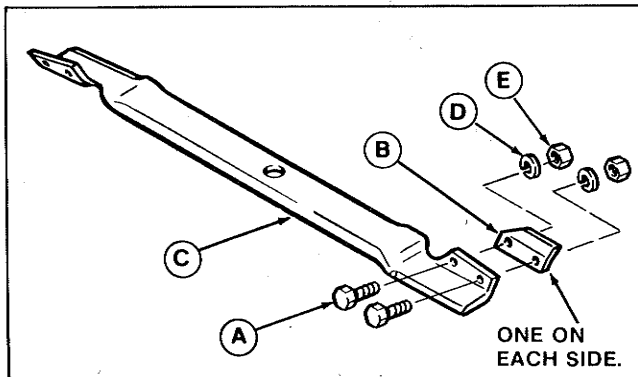
Do not handle mower blades with bare hands. Careless or improper handling may result in serious injury.

NOTE

The baffle is installed only on the 36" mower.

26" or 30" Mower - Install Lifts

The two lifts (B, figure 12) must be installed to the blade on the discharge side of the mower. First, position the rider for blade removal as described in "Blade Removal & Installation" section in rider Operator's manual. Be sure to set rider parking brake. Place mower in highest position and place wood block under front edge of mower to keep mower from falling. Install the two lifts as shown in figure 12.

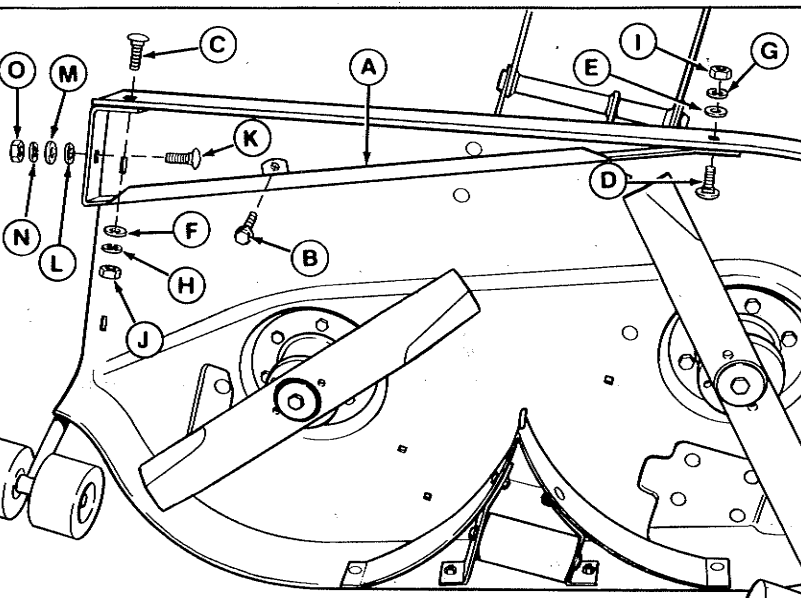


- A. Capscrew, 1/4-20 x 5/8 D. Lockwasher, 1/4
 B. Lift
 C. Blade
 E. Nut, 1/4-20

Figure 12. Install Lifts on Blade, 26" & 30" Mowers

36" Mower - Install Blade & Baffle

1. Refer to the rider Operator's Manual and remove the mower from the rider. Turn the mower over. The blade on the discharge side must be replaced with the grass catcher blade. Place a wood block between blade and housing to keep blade from turning.



- A. Baffle
 B. Screw, Self Tapping, 5/16-8 x 1/2
 C. Bolt, Carriage, 3/8-16 x 3/4
 D. Bolt, Carriage, 5/16-18 x 3/4
 E. Washer, 5/16
 F. Washer, 3/8
 G. Lockwasher, 5/16
 H. Lockwasher, 3/8
 I. Nut, 5/16-18
 J. Nut, 3/8-16
 K. Bolt, Carriage, 3/8-16 x 3/4
 L. Push Nut
 M. Washer, 3/8
 N. Lockwasher, 3/8
 O. Nut, 3/8

Figure 14. Install Baffle - 36" Mower

2. Turn the capscrew counterclockwise, and remove the capscrew, cup washer, spline washer and blade.

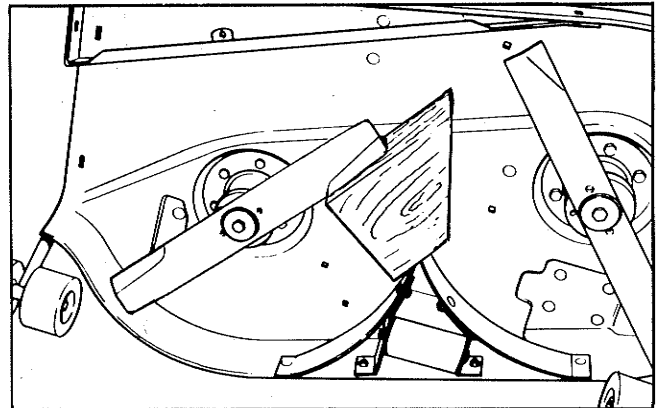


Figure 13. Blade Removal, 36" Mower

3. Install the new blade with tabs pointing up (toward mower deck). Install the washers and capscrew. Make sure the spline washer engages the shaft splines. Make sure the cup washer is installed concave side up (toward mower deck). Block the blade as shown in figure 13 and torque capscrew to 50 ft. lbs.
4. Place the baffle (A, figure 14) in the mower deck. Secure the midpoint of the baffle to the deck with the 5/16 x 1/2 inch self tapping screw (B). Secure the ends of the baffle with the carriage bolts (D & C), washers (E & F), lockwashers (G & H) and nuts (I & J) as shown.
5. Insert remaining carriage bolt (K) through hole in end of discharge baffle. Install a push nut (L) fully down on the threads of the bolt. Place washer (M), lockwasher (N), and nut (O) on the bolt (these parts will be used later to install grass catcher adaptor).

Free Manuals Download Website

<http://myh66.com>

<http://usermanuals.us>

<http://www.somanuals.com>

<http://www.4manuals.cc>

<http://www.manual-lib.com>

<http://www.404manual.com>

<http://www.luxmanual.com>

<http://aubethermostatmanual.com>

Golf course search by state

<http://golfingnear.com>

Email search by domain

<http://emailbydomain.com>

Auto manuals search

<http://auto.somanuals.com>

TV manuals search

<http://tv.somanuals.com>