

# INSTALLATION INSTRUCTIONS

WEIGHT BOX  
MFG. NO. 1690624



## WARNING

Before installing the kit or making any adjustments, disengage the PTO, set the parking brake, shift into gear, stop the engine and remove the key.

## KIT PARTS

This kit contains the parts shown in figure 1.

## PROCEDURE

1. The tractor must be equipped with a drawbar, or, if tractor has variable speed control lever, a rear implement attachment kit (#1685200).
2. To install the spacers, first remove existing nuts, lockwashers and nuts (A, B and C, figure 2) from each side of tractor. Install the spacers, washers, and capscrews from kit as shown in figure 2 with existing lockwashers and nuts.
3. Hook the weight box arms under the spacers and allow weight box to rest on drawbar. The hole in bottom of weight box must be aligned with hole in drawbar.
4. Insert the pin (H, figure 1) from top thru hole in weight box and drawbar. Secure pin with the clip (G).

5. Slide the door (A, figure 1) down into position inserting pin on bottom of door thru hole in weight box. Install the safety clip (C) in the pin to hold door in place.

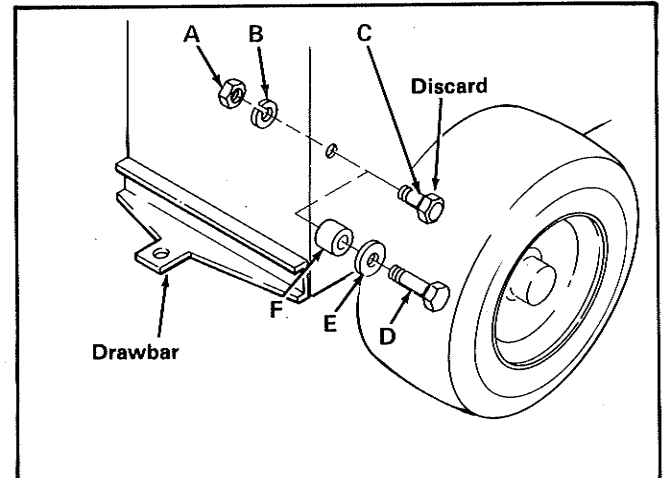


Figure 2. Installing Spacers

- |                          |                        |
|--------------------------|------------------------|
| A. Nut (existing)        | D. Spacer (from kit)   |
| B. Lockwasher (existing) | E. Washer (from kit)   |
| C. Capscrew (existing)   | F. Capscrew (from kit) |

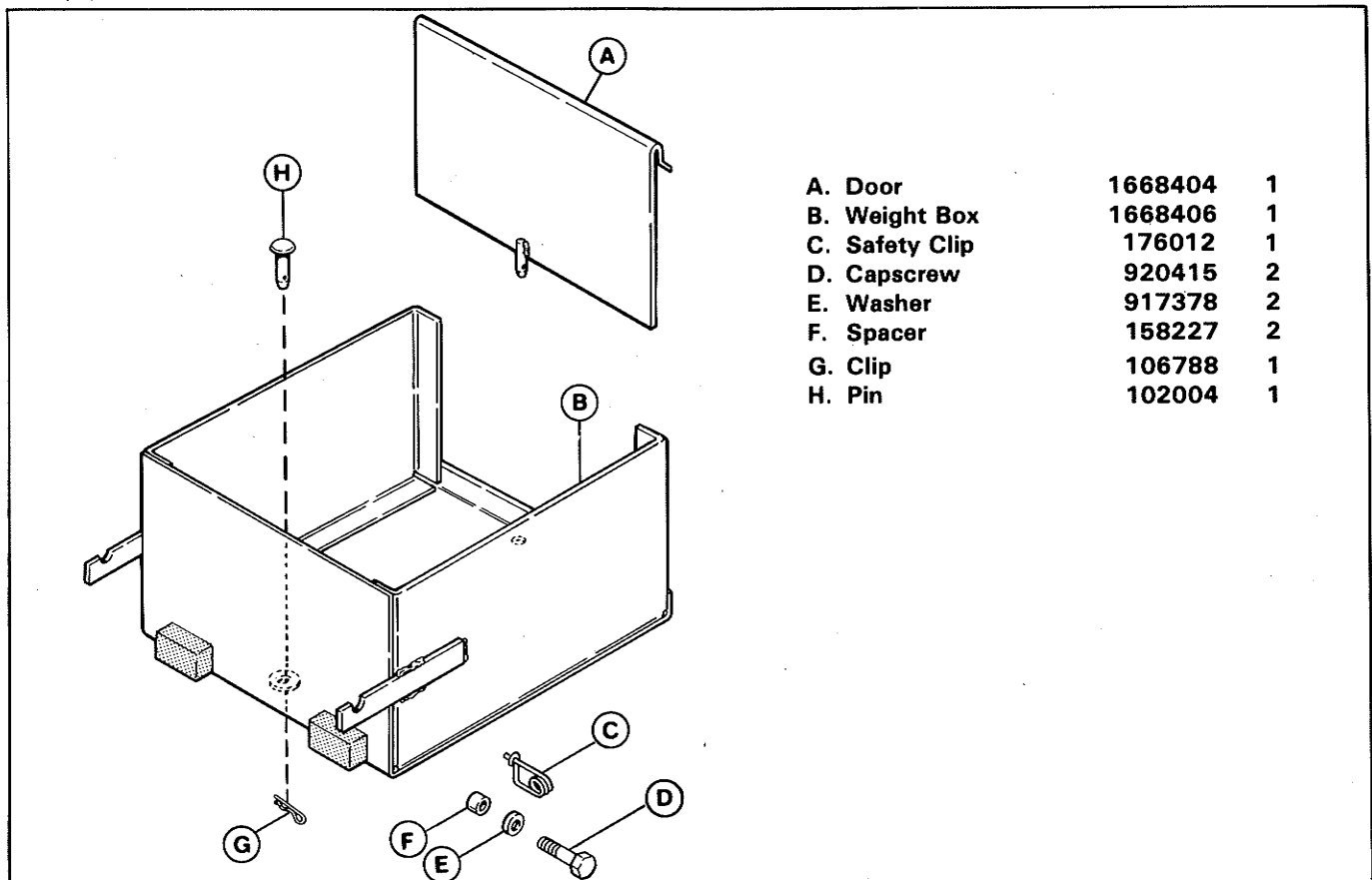


Figure 1. Weight Box Kit



## Free Manuals Download Website

<http://myh66.com>

<http://usermanuals.us>

<http://www.somanuals.com>

<http://www.4manuals.cc>

<http://www.manual-lib.com>

<http://www.404manual.com>

<http://www.luxmanual.com>

<http://aubethermostatmanual.com>

Golf course search by state

<http://golfingnear.com>

Email search by domain

<http://emailbydomain.com>

Auto manuals search

<http://auto.somanuals.com>

TV manuals search

<http://tv.somanuals.com>