

INSTALLATION INSTRUCTIONS

HITCH ASSEMBLY

MFG. NO. 1690772

REQUIRED TO INSTALL DOZER BLADE
AND SNOWTHROWER ON 9518 & 5015
DIESEL TRACTORS

GENERAL

Refer to figure 8 to familiarize yourself with the installation.

WARNING

Before installing kit or making any adjustments, make sure engine is stopped, ignition key is removed, and parking brake is set.

1. Remove the front screw (1, figure 1) from each side of the electric clutch if electric clutch is installed.

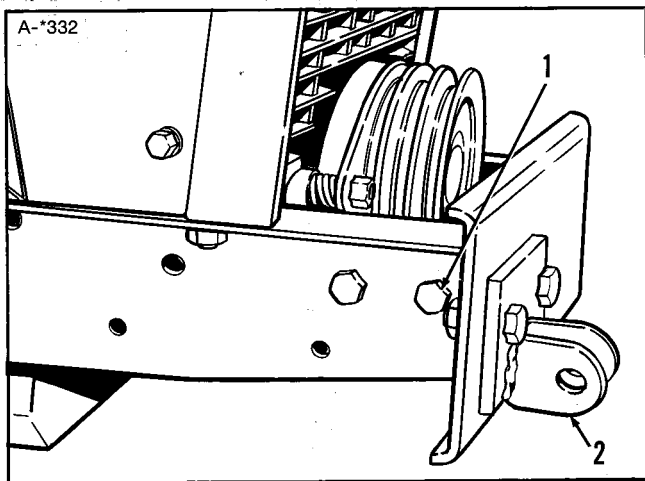


Figure 1.

1. Screw

2. Clevis

2. Install the hitch as shown in figure 2. To determine what hardware to use, see "2WD" or "4WD" box in figure 8.
3. Install the brackets (3, figure 3) to each side of rear axle with parts shown; leave loose at this time. If a rollover cab is installed, do not use the bars (2) and install as in figure 4. If rollover cab is not installed, install parts as shown in figure 5.

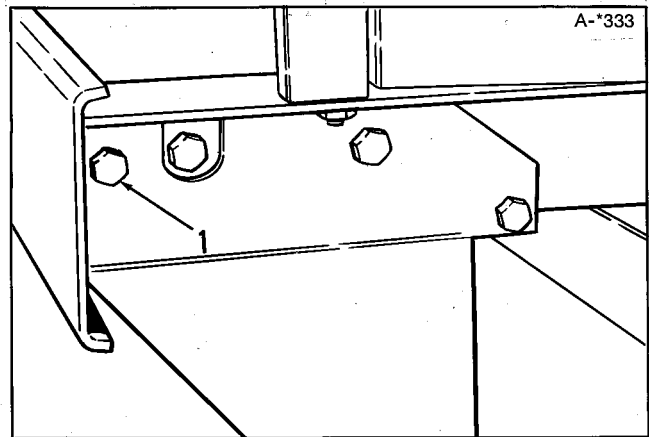


Figure 2.

1. Screw

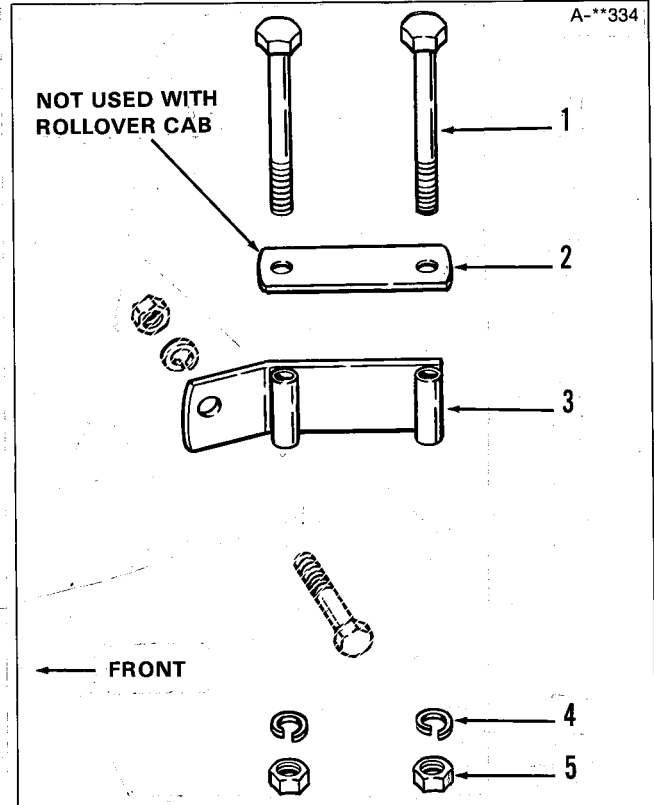


Figure 3.

1. Screws
2. Bar

3. Bracket (right-hand shown)
4. Lockwasher
5. Nut

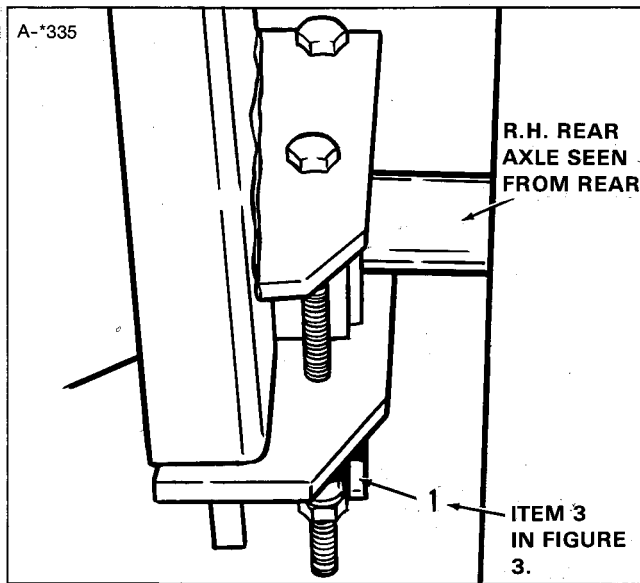


Figure 4. (Shown with Rollover Cab)

1. Bracket

4. Install cross tubes (3, figure 6) as follows.

- a. Position the tubes (3) under the tractor, so that tube that goes from R.H. rear wheel to left side of hitch is on top.

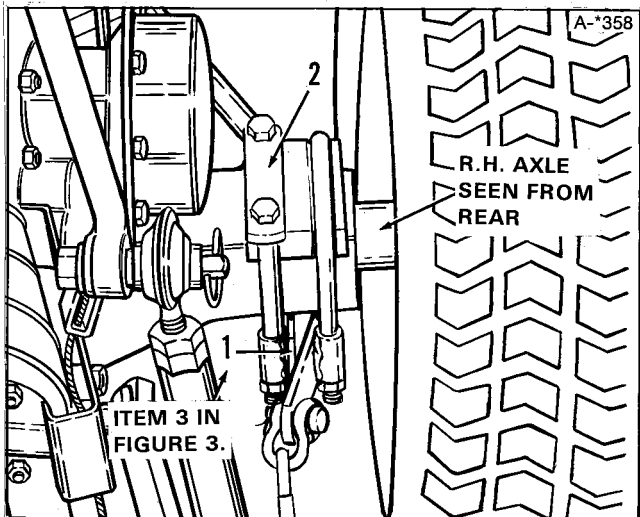


Figure 5. (Shown without Rollover Cab)

1. Bracket 2. Bar

- b. Connect the yokes (1, figure 7) to the hitch using pins and clips. On the right-hand side use the bottom hole in hitch as shown in figure 7. On the left-hand side, use the upper hole.
- c. Connect the rear ends of the tubes to the brackets (3, figure 3). Use one 1/2 x 1-1/4 capcrew, 1/2 lockwasher and 1/2 nut on each side. Thread tubes on yokes (1, figure 6) to achieve length. Tighten the capscrows.

- d. Tighten the bolts which secure the brackets (3, figure 3).
- e. Tighten the jam nuts (3, figure 7) at both yokes.
- f. Install the plates (4, figure 6) and U-bolts (5) as shown, to secure the tubes together.
- g. Make sure all bolts are tightened.

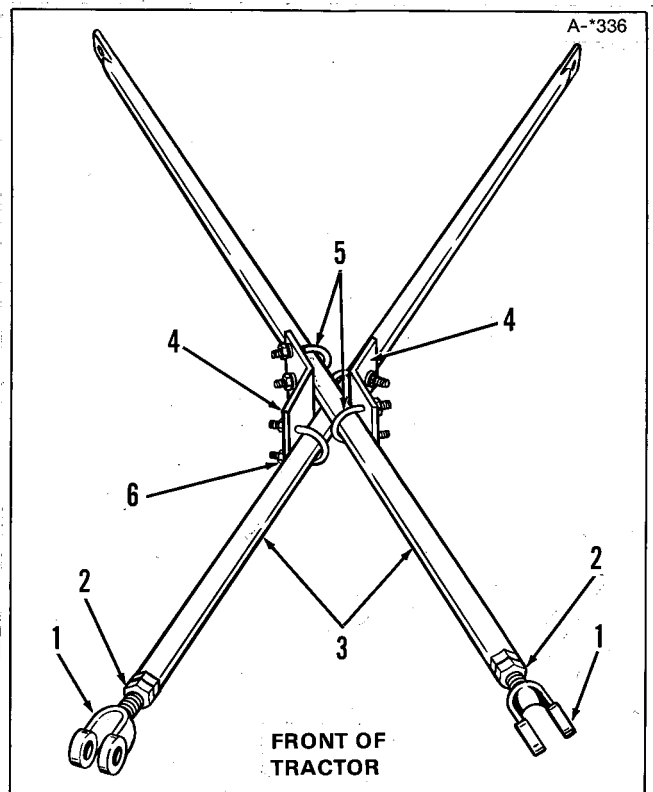


Figure 6.

- 1. Yoke
- 2. Nut, 5/8
- 3. Tube
- 4. Plate
- 5. U-Bolt
- 6. Lockwasher and Nut, 5/16

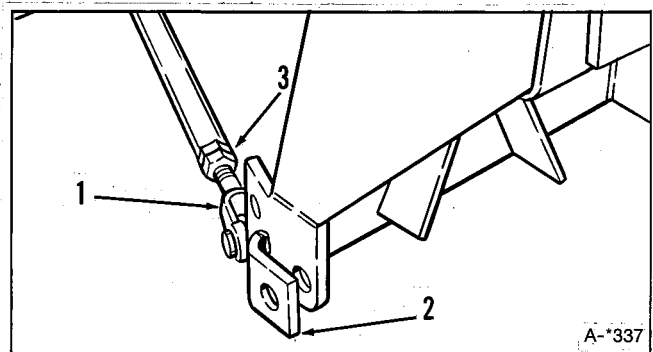


Figure 7.

- 1. Yoke
- 2. Hitch
- 3. Jam Nut

Ref. No.	Qty.	Description
1	8	Nut, Hex, 5/16-18
2	8	Lockwasher, 5/16
3	2	Plate, Clamp
4	2	Tube Assy.
5	2	Capscrew, Hex Hd., 7/16-14 x 1-1/2
6	6	Lockwasher, 1/2
7	4	Capscrew, Hex Hd., 1/2-13 x 7
8	2	Bar
9	2	Bracket Assy.
10	2	Capscrew, Hex Hd., 1/2-13 x 1-1/4
11	4	Capscrew, Hex Hd., 1/2-13 x 9 (For use with Roll Over Protector)
12	6	Nut, Hex, 1/2-13
13	4	U-Bolt
14	1	Side Plate Assy.
15	4	Capscrew, Hex Hd., 7/16-14 x 1-1/4
16	2	Capscrew, Hex Hd., M12 x 1.75 x 40 MM (4WD)
17	6	Lockwasher, 7/16
18	2	Lockwasher, 12MM
19	6	Nut, Hex, 7/16-14
20	2	Pin, Yoke
21	2	Clip, Spring
22	2	Yoke
23	2	Nut, Hex, Jam, 5/8-18
24	2	Washer, Plain, 1/2

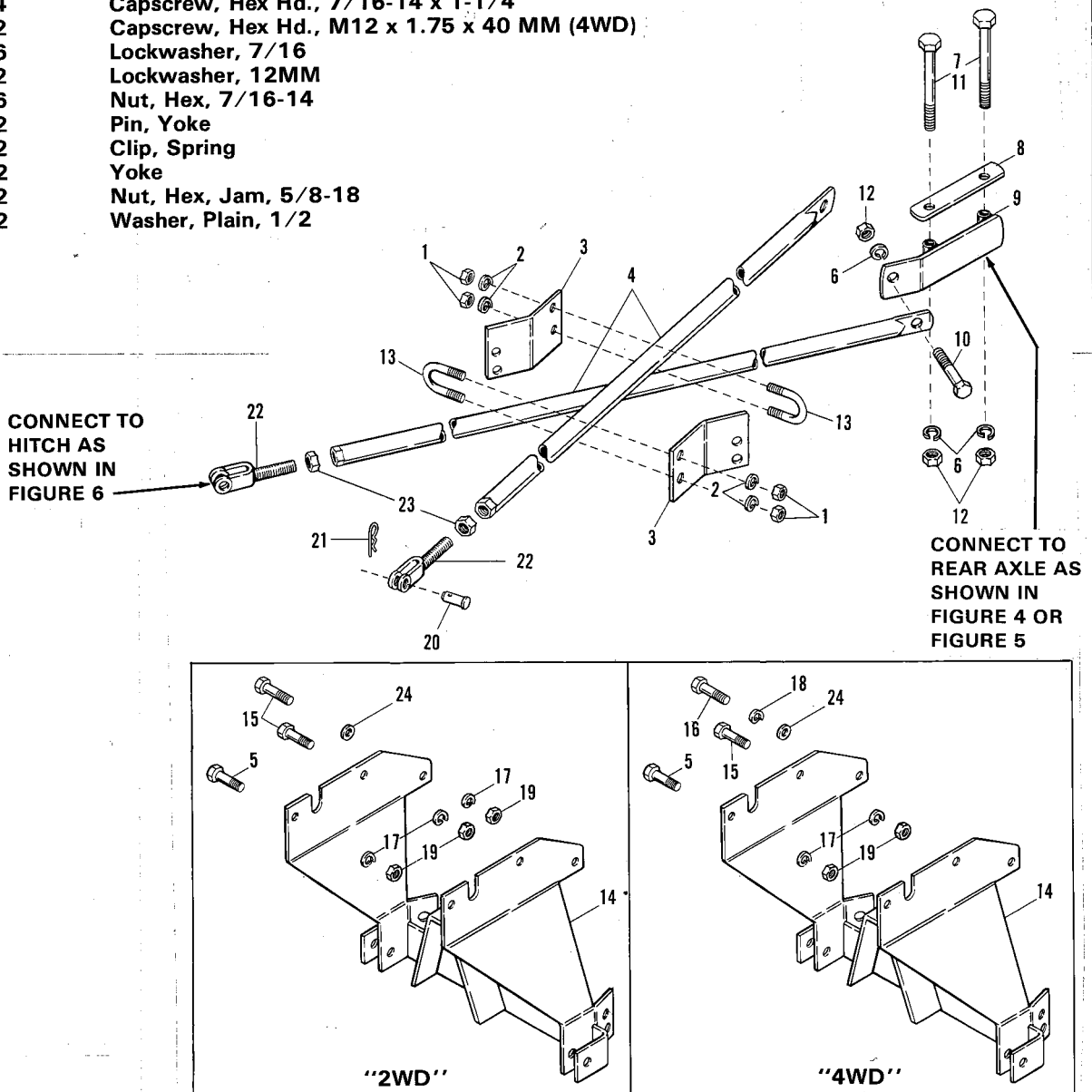


Figure 8.

Free Manuals Download Website

<http://myh66.com>

<http://usermanuals.us>

<http://www.somanuals.com>

<http://www.4manuals.cc>

<http://www.manual-lib.com>

<http://www.404manual.com>

<http://www.luxmanual.com>

<http://aubethermostatmanual.com>

Golf course search by state

<http://golfingnear.com>

Email search by domain

<http://emailbydomain.com>

Auto manuals search

<http://auto.somanuals.com>

TV manuals search

<http://tv.somanuals.com>