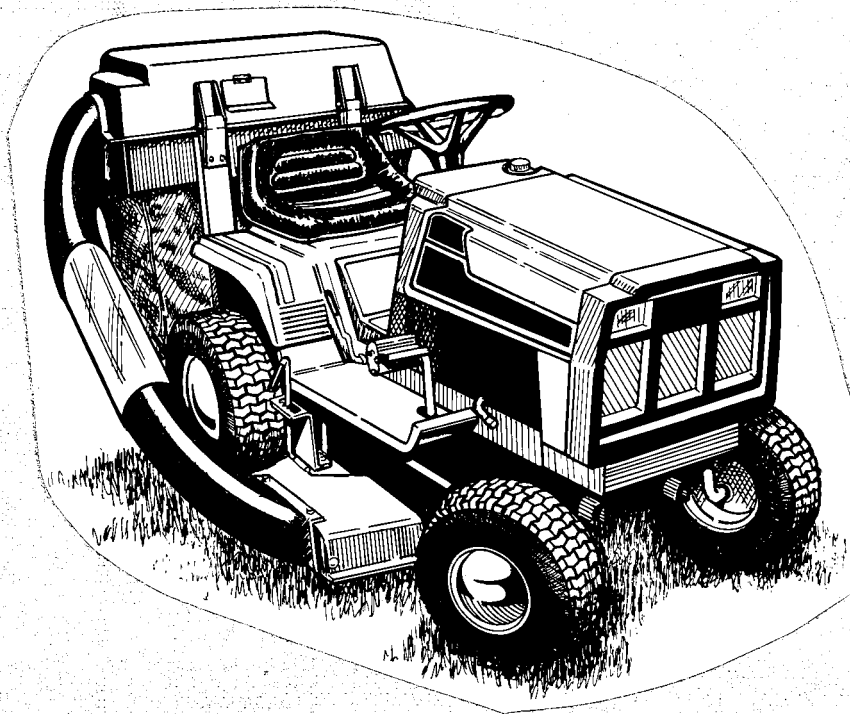


REAR GRASS CATCHER



REAR GRASS CATCHER
FOR LAWN TRACTORS
MFG. NO. 1690821

FORM - 1669806
PRINTED IN U.S.A.
871

Table of Contents

SPECIFICATIONS	See Below
SAFETY RULES	1
ASSEMBLY	2
OPERATION	8
BEFORE OPERATION	8
OPERATION	8
EMPTYING THE BAGS	8
REMOVAL	9
INSTALLATION	9
STORAGE	9
TROUBLESHOOTING	11
STANDARD FASTENER IDENTIFICATION CHART	Inside Back Cover

Specifications

Height (Top of Cover to Bottom of Bag): 35 In.

Width (Overall of Cover): 35.5 In.

(Left Side of Tractor to Extreme

Right Side of Grass Catcher): 45 In.

Length (C/L of Rear Tire to Back Edge of Cover): 31.5"

Ground Clearance (To Bottom of Bag): 5.0"

Capacity: 6.5 Bushels

Recommended Accessories


On sloping terrain, use front counterweight. Rear wheel weights are recommended for slopes over 15% (8.5°). Never operate on slopes greater than 30% (16.7°).

Common Replacement Parts

Name	Part No.
Pin, Cover	1672344
Clip, Cover Pin	106787
Bag, Grass	1672346
Protective Strip (top of grass bag)	1673696
Pin, Frame-to-Drawbar	1672365
Clip, Frame Pin	106788
Blade, Left-Hand	1671593
Blade, Right-Hand	1671565
Discharge Tube	1672358
Rubber Strap	1665872

Safety Rules



Read these safety rules and the safety rules in your Operator's Manual and follow them closely. Failure to obey these rules could result in loss of control of vehicle, severe personal injury to yourself, or damage to property or equipment. The triangle  in the text signifies important cautions or warnings which must be followed.

ATTENTION SETUP PERSONNEL:

As setup personnel you have the obligations to know the product better than the customer. This includes safety related items. Prior to setup, thoroughly familiarize yourself with the Operator's Manual. Pay special attention to all safety warnings. Remember, it is your responsibility to set up the product safely and to know it well enough to be able to instruct a customer in the safe use of this power unit.

It is possible during setup to place yourself in a position which is more hazardous than when the unit is in operation. Safety is a matter of common sense . . . A matter of thinking before acting. Most shops have specific safety practices. Follow them. The precautions listed in the Operator's Manual should not supersede existing practices but should be considered as supplemental information.



WARNING

Do not operate the tractor unless the entire grass catcher system or mower discharge deflector is properly installed.



WARNING

Do not remove any parts of the grass catcher while the engine is running.



WARNING

Read and obey all safety warnings in your tractor Operator's Manual.



WARNING

Under normal use, the bag is subject to wear. Inspect the bag periodically for wear or weak spots, and if necessary, replace with an identical bag.



WARNING

Before raising cover, disengage mower, turn off engine and remove the key. Do not remove catcher tube from adapter or bag while mower is running.



WARNING

When operating on slopes, use front counterweight. Never operate on slopes greater than 30% (16.7°).

Assembly

PARTS IDENTIFICATION

NOTE

Check the mower I.D. plate. If Mfg. No. is not 1690838 or 1690839, you will need Baffle Kit #1685239.

Remove the parts from the carton and use the following chart to identify them. This chart refers to illustrations in the assembly procedure which begins on the next page.

In the chart below, if quantity is more than one, number is in parenthesis. Use the standard fastener I.D. chart at back of manual to identify. You may want to leave the fasteners in the two bags, and select the parts you need as you follow the Assembly procedure. Or, you may arrange them by size and type before you begin.

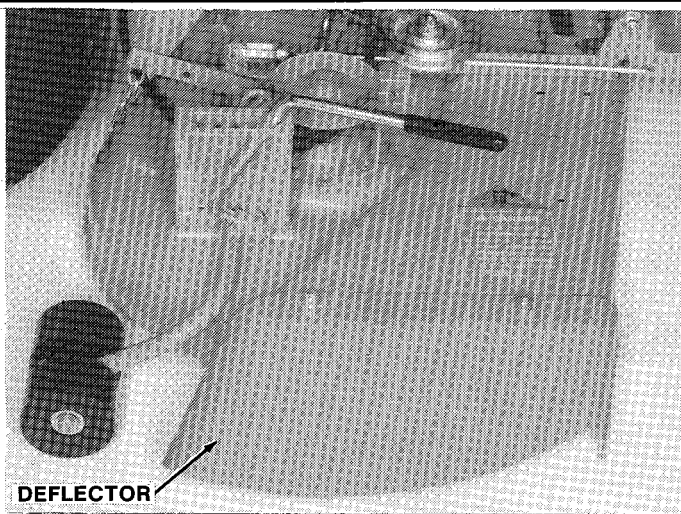
Part Name	Shown in Step
Baffle Whizlock Screw, 1/4 x 1/2 Bolt, Carriage, 1/4 x 5/8 Lockwasher, 1/4 Nut, 1/4	5
Discharge Baffle Screw, Self Tapping, 5/16-18 x 1/2 Bolt, Carriage, 3/8-16 x 7/8 Bolt, Carriage, 5/16-18 x 7/8 Washer, 1/4 Washer, 3/8 Lockwasher, 5/16 Lockwasher, 3/8 Nut, 5/16-18 Nut, 3/8-16 Bolt, Carriage, 3/8-16 x 7/8 Push Nut	7
Adapter Push Nuts (3) Washer, 3/8 (3)	10

Part Name	Shown in Step
Spacers (2) Washer, 3/8 (2) Capscrew, 3/8 x 1-1/4 (2)	11
Frame Pin Clip, Hairpin	12
Cover Pin (2) Clip, Hairpin (2)	16
Tube	14
Elbow Bracket Bolt, Carriage, 5/16-18 x 7/8 Lockwasher, 5/16 Nuts, 5/16	13
Elbow	15
Bag Brackets (2) Bolt, Carriage, 5/16 x 7/8 (2) Lockwasher, 5/16 (2) Nut, 5/16 (2)	17
Bags (2)	18

PROCEDURE

Remove the mower from the tractor

Remove the discharge deflector. The hardware will be used in a later step to install adapter.



If mower is not Mfg. No. 1690838 or 1690839, it will not have mounting holes shown. Drill a 9/32 inch hole 1/2 inch from edge of opening and 1-3/8 inch from bottom as shown. (The second hole will be drilled later).

Make sure the retainer nut (A) is in the baffle.

Install the baffle into deck with the whizlock screw (B). If the second hole must be drilled, position the baffle parallel with bottom edge of mower deck. Also turn blade to make sure there is no interference. Mark the spot and drill a 9/32" hole as shown below.

Install the carriage bolt (E), lockwasher and nut.

- A. Retainer Nut
- B. Whizlock Screw
- C. Nut
- D. Lockwasher
- E. Carriage Bolt
- F. Deflector Baffle

- Place the adapter onto the three carriage bolts and install 3/8" plain washers, 3/8" lockwashers and 3/8" nuts.

A. Adapter
B. Hardware

- On each side, remove existing capscrew, lockwasher and nut. (On hydrostatic models, disconnect brake spring on left side). Install the spacer (F) as shown using existing lockwasher and nut, and new plain washer and capscrew.

NOTE

On hydrostatic tractors, use the existing 1-1/2" capscrew on the left-hand side. After installation, hook-up the brake-return spring to the 1-1/2" capscrew. Install 3/8" nut to secure spring as shown below.

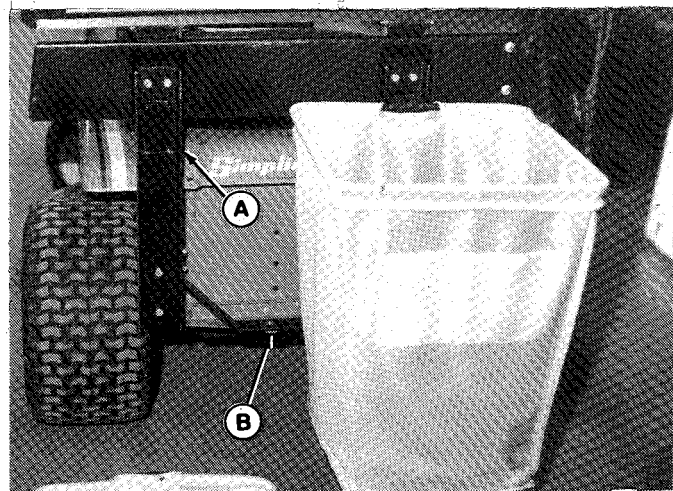
A. Nut
B. Lockwasher
C. Capscrew (on tractor)
D. Capscrew, 3/8 x 1-1/4
E. Flat Washer, 3/8
F. Spacer

- Hook the frame onto the spacers just installed. Connect to drawbar with pin and "hairpin" clip.

NOTE

If frame hole does not align with drawbar, loosen the hardware securing the cross bar, re-position, and then tighten the hardware.

A. Frame
B. Drawbar



Shown With Bag Installed.

7. Install the discharge baffle (A) as shown. Insert bolt (L) and install push nut (K) fully onto threads to hold bolt (L) in place. (The lockwasher (F), washer (H) and nut (J) will be used to install adapter.)

- A. Baffle
- B. Screw, Self Tapping, 5/16-18 x 1/2
- C. Bolt, Carriage, 3/8-16 x 3/4
- D. Bolt, Carriage, 5/16-18 x 3/4
- E. Washer, 1/4
- F. Washer, 3/8
- G. Lockwasher, 5/16
- H. Lockwasher, 3/8
- I. Nut, 5/16-18
- J. Nut, 3/8-16
- K. Push Nut
- L. Bolt, Carriage, 3/8-16 x 3/4

8. Remove the mower blades and install the new blades with tabs pointing up (toward mower deck). Install the washers and cap-screw. Make sure the spline washer engages the shaft splines. Make sure the cup washer is installed concave side up (toward mower deck). Block the blade and torque capscrew to 60 ft. lbs. Note the difference between the two blades.

NOTE



WARNING

Blade mounting capscrews must be installed with the cup washer and spline washer and then securely tightened. Torque blade mounting capscrews to 60 ft. lbs. (81 N.m).



WARNING

Do not handle the mower blades with bare hands. Avoid touching the cutting edge. Careless or improper handling of blades may result in serious injury.

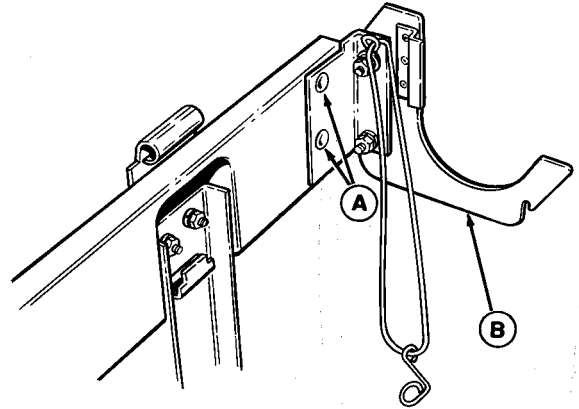
LEFT-HAND
SIDE

9. Re-install the deflector carriage bolts using the supplied push nuts.

- A. Push Nut
- B. Carriage Bolt

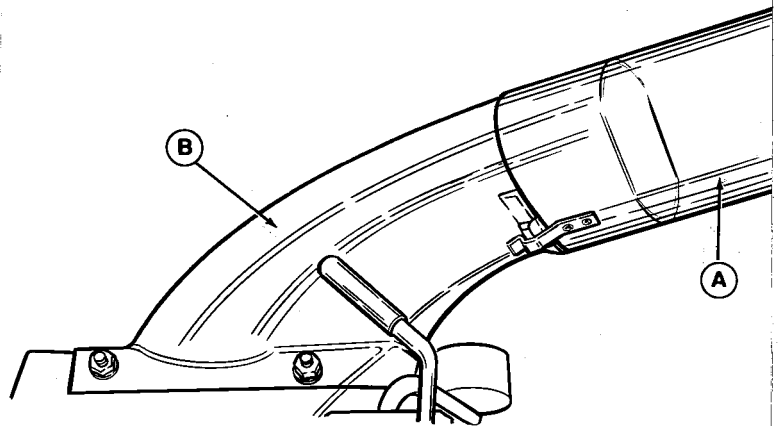
13. Connect the elbow bracket to right-hand rear side of frame by inserting 5/16-18 x 7/8 carriage bolts from rear and then installing 5/16" lockwashers and nuts.

- A. Bolts
- B. Elbow Bracket



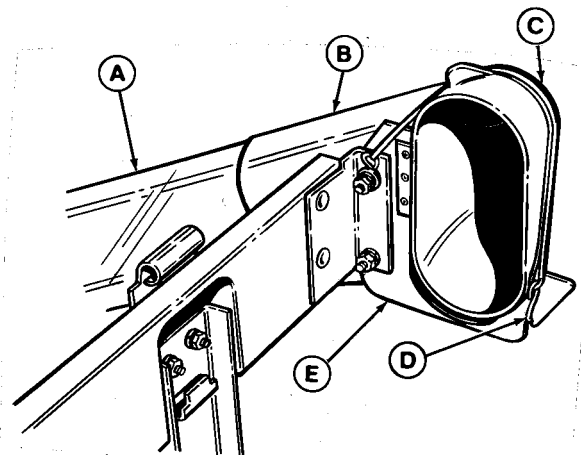
14. Insert tube onto adapter so it latches into place.

- A. Tube
- B. Adapter



15. Insert tube (A) into elbow, then insert the elbow (B) into the elbow bracket (E). Pull the rubber strap (C) over the elbow and hook as shown.

- A. Tube
- B. Elbow
- C. Rubber Strap
- D. Hook
- E. Elbow Bracket



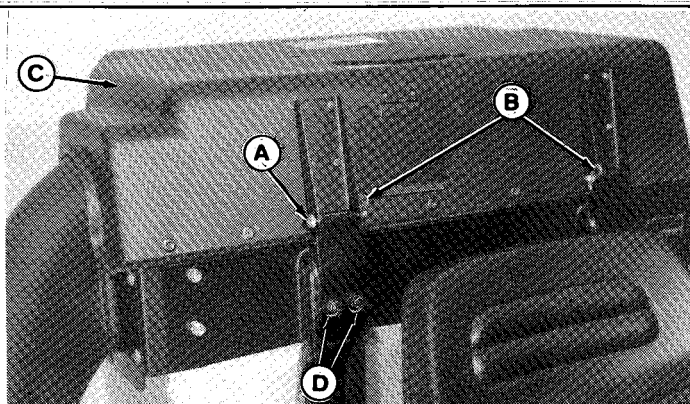
16. Place cover onto frame and align the hinges. Insert pins and install clips.

NOTE

The front edge of cover must seal against cross member. Loosen the four nuts (D) adjust cover as necessary, then tighten the nuts.

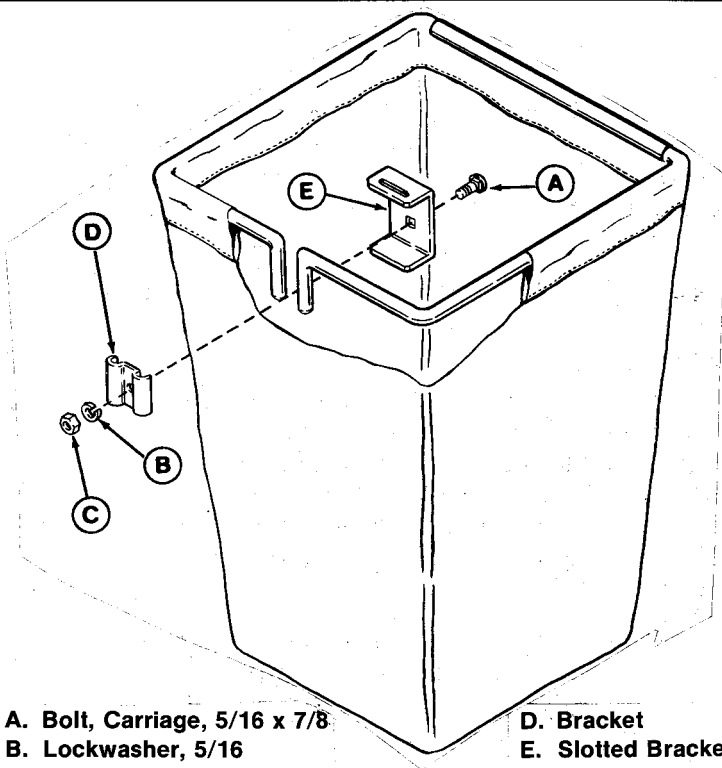
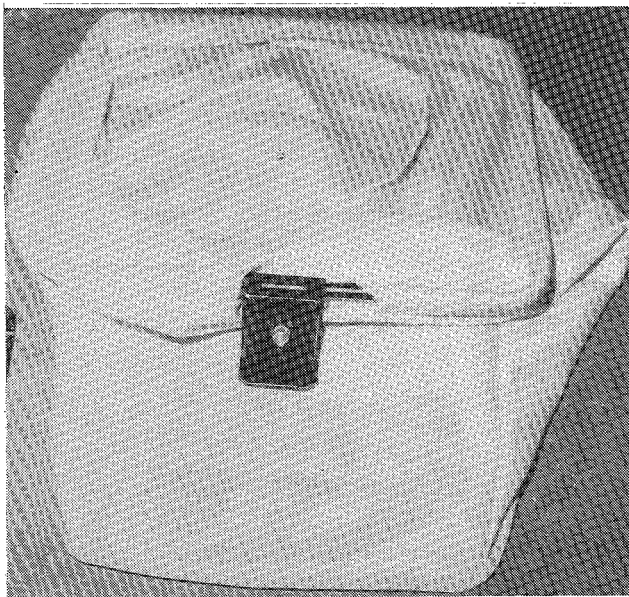
NOTE

To assemble grass bags to frame, refer to "Supplement" on page 12.



- A. Pins
B. Clips
C. Cover
D. Nuts

17. Connect the brackets to the bag frames with slot in bracket toward top. Use top and bottom holes in brackets. The cloth is shown cut away for clarity only. Be sure brackets are outside the bag as shown below.



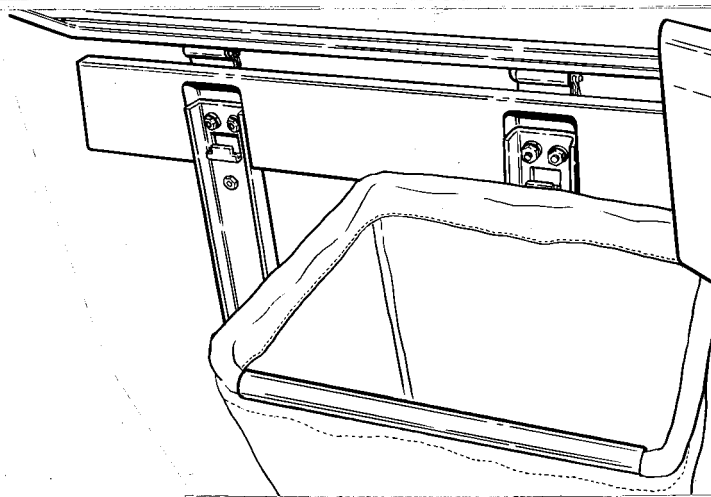
- A. Bolt, Carriage, 5/16 x 7/8
B. Lockwasher, 5/16
C. Nut, 5/16
D. Bracket
E. Slotted Bracket

18. Hang the bags onto the frame, by hooking onto slotted bracket.

19. The installation is now complete.

NOTE

If bag does not hang straight, loosen nut (C) in step 17) and twist hoop. Then re-tighten nut.



Operation and Storage

BEFORE OPERATION

Clear the lawn of all sticks, stones, wire and other debris which may be caught or thrown by the mower blades.

Clean the tube with mild detergent (other products may damage tube). The flow of grass can be seen through the tube while mowing.

Check grass condition. If wet, wait until later in the day. If grass is wet plugging may occur.

For efficient bagging, air circulation under the mower deck, through the chute and into the bag is very important. For this reason, you should remove grass and debris from underside of mower deck, discharge chute and screen inside cover.

The adapter, tube and elbow can be removed as an assembly for cleaning. Remove the nuts and washers that hold the adapter to mower deck and unhook rubber strap from elbow.

If desired, the bags can be lined with 30 gallon trash bags for easy disposal.

OPERATION

Grass should be cut often, and not too short. If grass is too long or lush it may be necessary to keep ground speed to a minimum or to cut only half the width to prevent clogging. If grass is high, operate with mower in high cutting position. Cut the grass again in lower cutting position, if desired.

To check if bags are full, open the inspection door, located directly behind the operator's seat.

Always operate with throttle at full speed.

EMPTYING THE BAGS

NOTE

If seat has spring suspension, tilt the seat forward to allow cover to remain in "up" position.

Raise the cover. If a plastic liner was not used, unhook the bag and turn upside down to empty (use handle on bottom).

If plastic liner was used, first tie up top of liner. Then, either pull the liner out, or turn the bag upside down and allow the filled liner to slide out.



WARNING

For safety reasons grass and debris are to be removed only after engine is shut off, key removed, and all moving parts stopped.



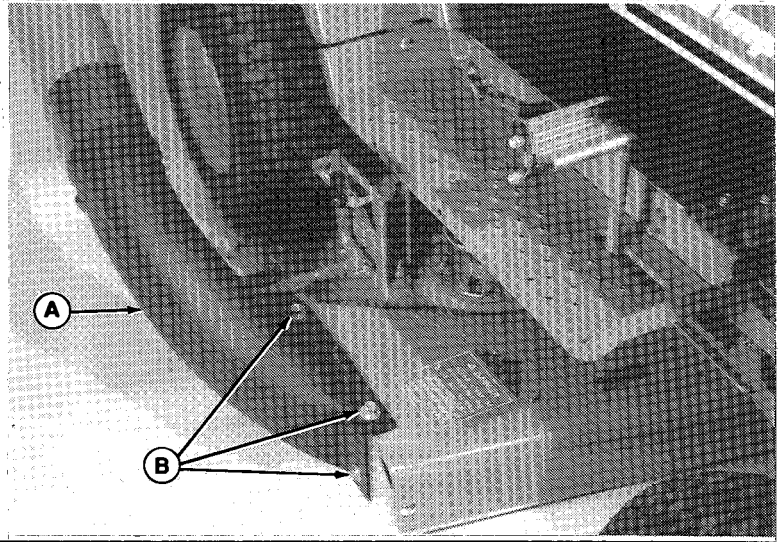
WARNING

Before raising cover, shut off engine, remove key, and set parking brake.

REMOVAL

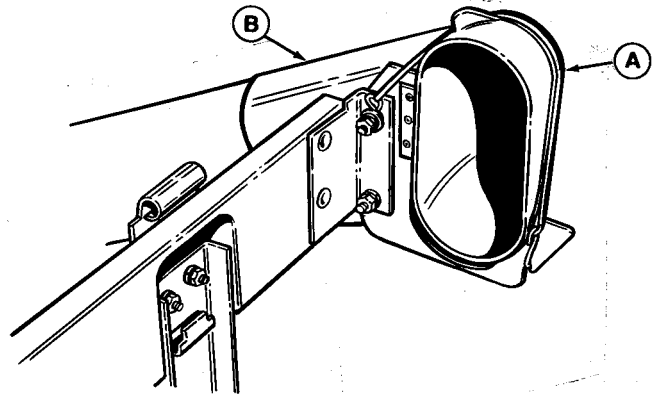
1. Remove the three nuts, lockwashers and plain washers that secure the adapter. Washers and nuts will be used in step 7 to install deflector.

A. Adapter
B. Hardware



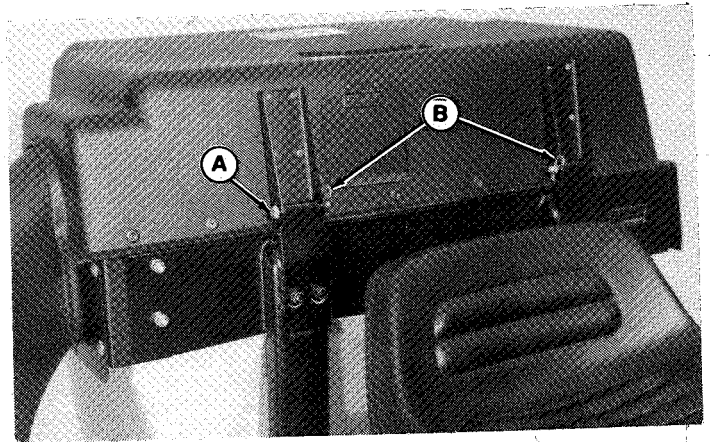
2. Raise the cover and disconnect the rubber strap that secures the elbow.

A. Rubber Strap
B. Elbow



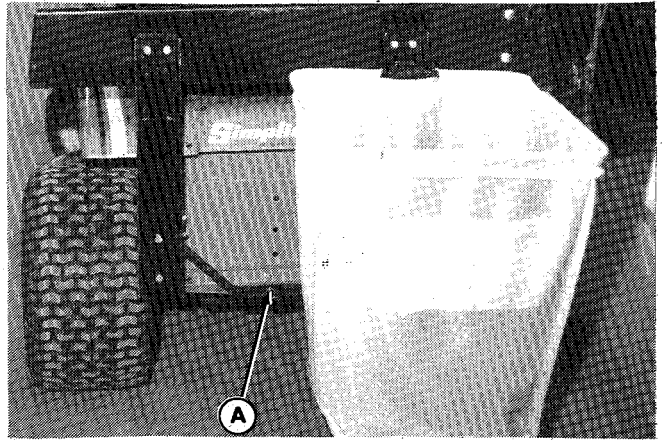
3. Remove the adapter, tube and elbow as an assembly.
4. Remove the bags. Remove the cover by removing pins and clips. Store with cover to prevent loss.

A. Pins
B. Clips



5. Disconnect the frame from the drawbar by removing the pin and hairpin clip.

A. Pin

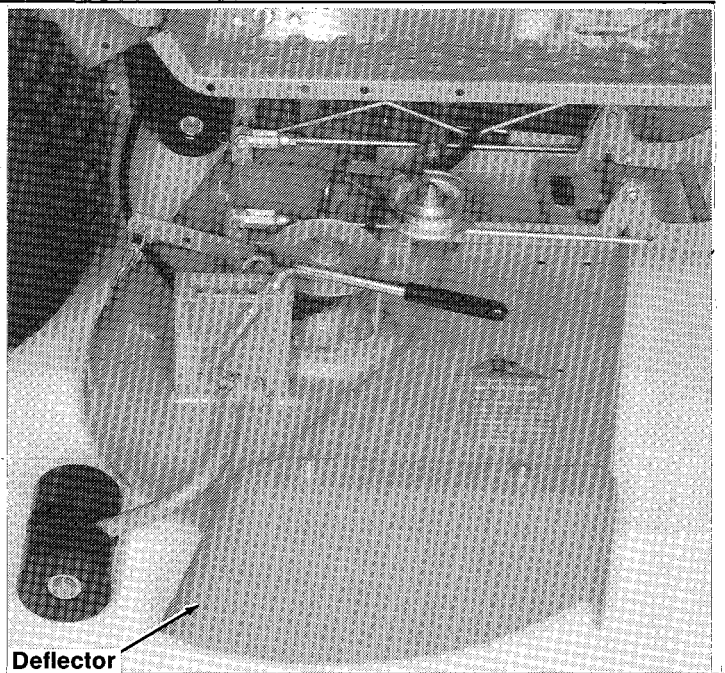


6. Lift the frame off the tractor.
7. Install the mower discharge deflector with the two plain washers, lockwashers, and nuts.
8. For best performance when mowing without catcher, use standard blades. (See Assembly section to install blades).



WARNING

Never operate mower without grass catcher unless discharge deflector is installed.



INSTALLATION

To install the grass catcher, reverse the removal process.

STORAGE

1. Clean the grass catcher thoroughly.
2. If paint has been scratched on metal parts, coat with paint or oil.
3. Store in a dry area. Hang the bags to dry. Always store away from moisture.

Troubleshooting

This section provides troubleshooting instructions for the more common and easily corrected problems. See Table 1. For problems not covered, see your dealer.



WARNING

To avoid serious injury, perform maintenance on the grass catcher only after stopping the engine and waiting for all moving parts to come to a complete stop. Always remove the ignition key before beginning the maintenance to prevent accidental starting of the engine. Disconnect the spark plug wire and fasten away from plug.

Table 1. Troubleshooting

Problem	Cause/Remedy
1. Leaves and grass not being completely picked up.	<ul style="list-style-type: none">A. Engine speed too slow. Run at full throttle.B. Ground speed too fast. Use lower gear.C. Mower drive belt slipping. Increase belt tension per rider Operator's Manual.D. Discharge tube plugged. Stop engine and remove key. Then remove and unplug discharge tube.E. Using wrong mower blades. See Setup Instructions.F. Blades not tight. Torque to 60 ft. lbs.G. Mower not level. See Operator's Manual to level mower.
2. Grass catcher discharge tube or mower plugs easily.	<ul style="list-style-type: none">A. Bags full. Empty bags.B. Grass too high. Reduce tractor ground speed, reduce cutting width or raise mower adjustment for the first pass, lower it for the second pass.C. Grass or leaves too wet. Wait for drier conditions.D. Build-up of cut grass in mower or adapter. Clean thoroughly.E. Screen in grass bag cover clogged. Remove cover and clean screens.F. Using wrong mower blades. See Setup Instructions.

Supplement to Operator's Manual

Assembly of Grass Catcher

The grass bag must be installed onto the hanger. Insert one end of hanger into hole in seam of bag as shown in figure 1. Then, continue routing bag around (figure 2) until the two ends of hanger extend through hole in seam of bag. Be sure the handle is on bottom of bag. (If handle is inside the bag, the bag is inside-out.)

Position the white clip (figure 3) along back edge of bag.

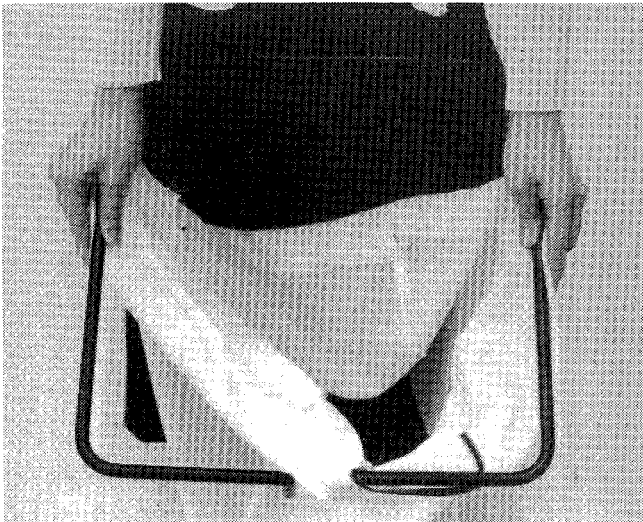


Figure 1.

Direction →

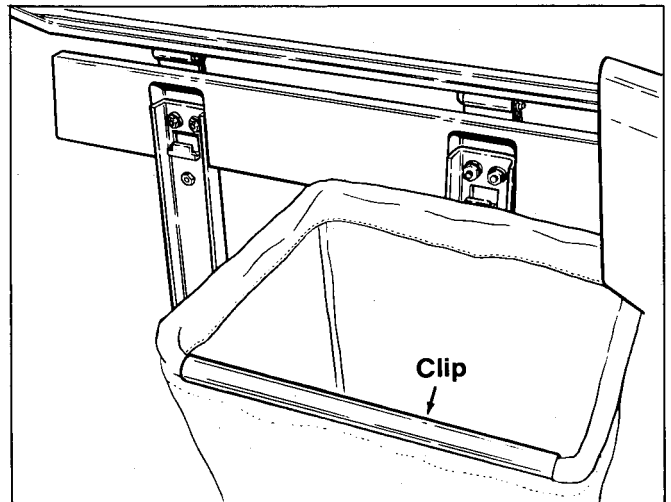


Figure 3.

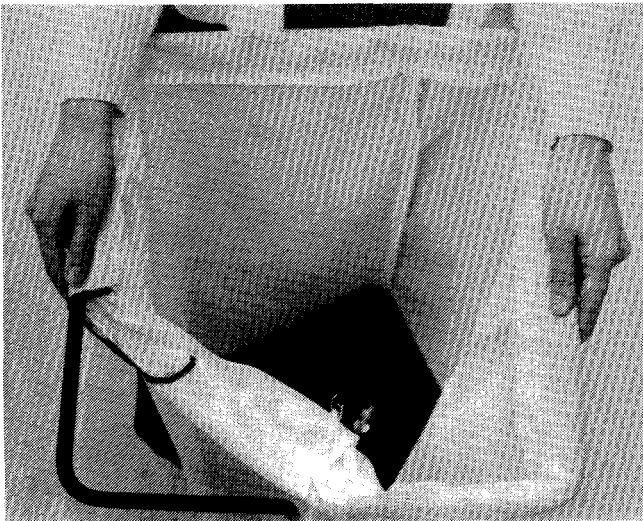


Figure 2.

SUPPLEMENT - 1669806

872

Free Manuals Download Website

<http://myh66.com>

<http://usermanuals.us>

<http://www.somanuals.com>

<http://www.4manuals.cc>

<http://www.manual-lib.com>

<http://www.404manual.com>

<http://www.luxmanual.com>

<http://aubethermostatmanual.com>

Golf course search by state

<http://golfingnear.com>

Email search by domain

<http://emailbydomain.com>

Auto manuals search

<http://auto.somanuals.com>

TV manuals search

<http://tv.somanuals.com>