

# INSTALLATION INSTRUCTIONS

LIFT LEVER KIT  
MFG. NO. 1691467

## IMPORTANT INFORMATION

If this kit is used with 36 inch mower, Mfg. No. 1690274, the right-hand upstop bracket should be removed from the mower so it will not hit the bottom of the lever assembly.

When using this kit for lifting 36" & 42" mowers, you must use the supplied mower lift rod assembly in place of the lift rod furnished with tractor.

The adjustments, at the end of the instructions, should be used instead of the adjustments in your Operator's Manual.

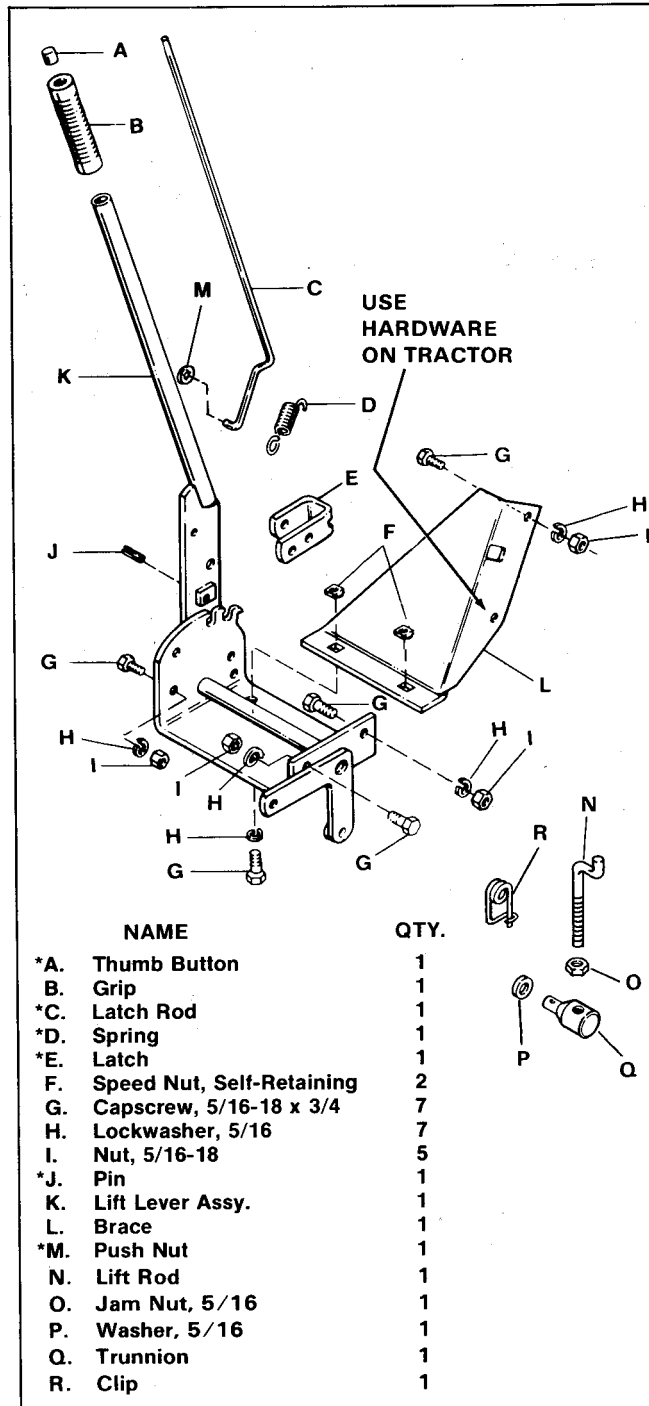


Figure 1. Lift Lever Kit

\*Shipped Assembled

## WARNING

For your personal safety, follow all safety rules in the Operator's Manual for your tractor and the Operator's Manual for your attachment. Before working on unit, stop the engine, remove the key, and set the parking brake.

## TOOLS REQUIRED

A 1/2 inch wrench and a 9/16 inch wrench are required. An adjustable wrench or another 1/2 inch wrench will be needed to hold nut when tightening a capscrew. To install kit on an early model tractor, a drill is required.

## KIT PARTS

Refer to figure 1 to identify the parts shipped with the kit.

## INSTALLATION ON LATER MODELS

1. Install the two speed nuts (F, figure 1) into the two holes in the brace (L).
2. Install the lift lever assembly to the footrest as shown in figure 2. Use four capscrews, lockwashers, and nuts supplied with kit. Install the hardware (A) with nuts to inside of foot rest.

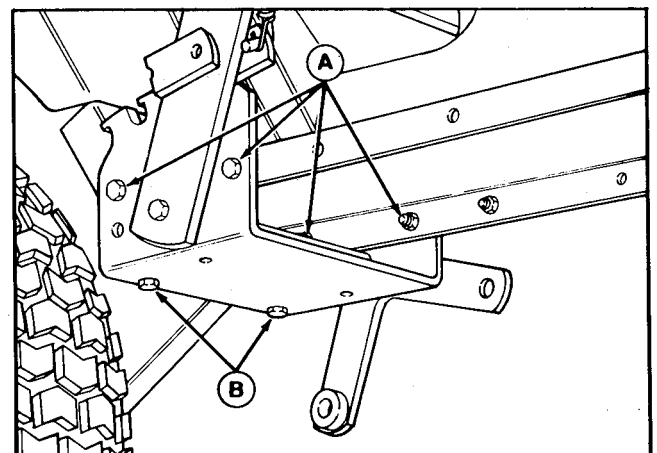


Figure 2. Install Lift Lever Assembly

- A. Install with nuts to inside of footrest.
- B. Install thru lever assembly, brace and speed nuts.

FORM - 1673666  
PRINTED IN U.S.A.

879

3. Install the brace (L, figure 1) to the tractor behind the right foot rest. Use one capscrew (G), lockwasher (H) and nut (I) supplied with the kit and one capscrew, lockwasher and nut already installed in tractor. For proper position, align the cutout in the brace with the existing small screw. See figure 3.
4. Install two capscrews and lockwashers (B, figure 2) from bottom thru lever assembly, brace and speed nuts.

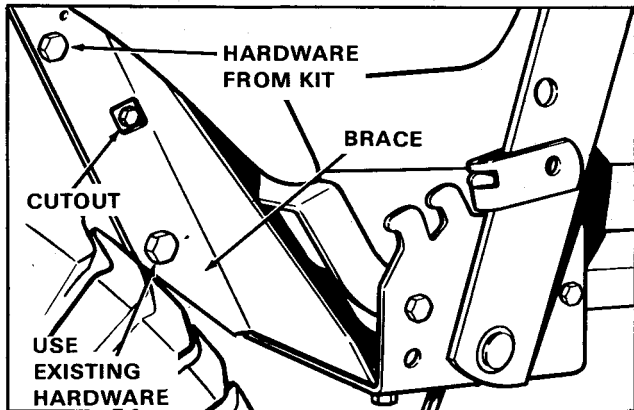


Figure 3. Install Brace

### INSTALLATION ON EARLY MODELS

To install this kit on early models it is necessary to drill holes in the tractor footrest and frame. Read the entire procedure before beginning.

1. Remove the footrest on right side of tractor (as seen from operator's position).
2. Position template "A" on the right side of the footrest as shown in figure 4. Mark the position of the new holes with a punch and remove the template. Drill two 11/32" dia. holes.

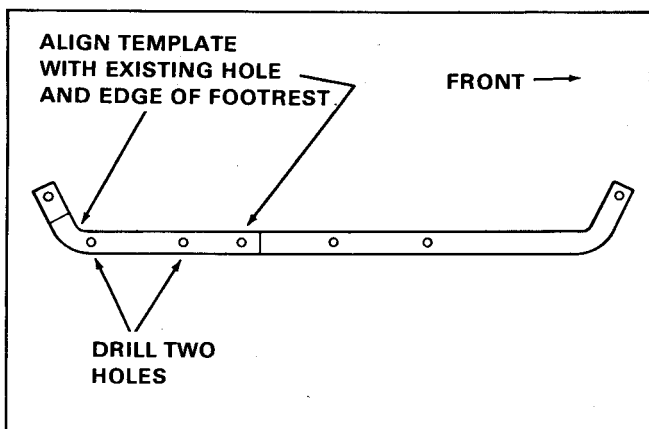


Figure 4. Align Template "A"

3. Position template "B" on the left side of the footrest (opposite holes drilled in step 2) as shown in figure 5. Mark the position of the new holes with a punch and remove the template. Drill two 11/32" dia. holes.

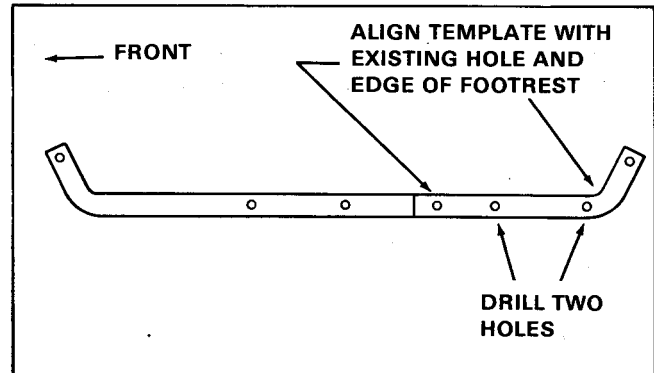


Figure 5. Align Template "B"

4. Two holes must be drilled in the frame which will align with holes drilled in step 3 when footrest is installed on tractor. Place the footrest back on the tractor. Mark the frame thru the holes in footrest drilled in step 3. Remove the footrest. Drill two 11/32" dia. holes in the frame.
5. Position template "C" on tractor side plate behind right footrest as shown in figure 6. Mark position of new hole with a punch and remove the template. Drill on 11/32" dia. hole.

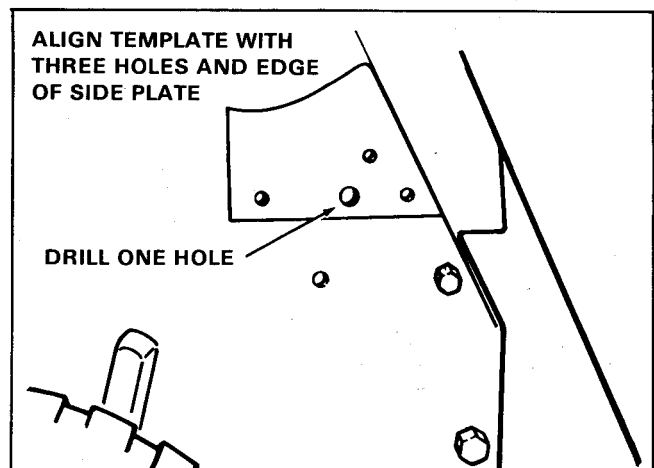


Figure 6. Align Template "C"

6. Install the kit as described under "Installation on Later Models", except when installing the brace (figure 3) use existing hardware for lower hole and hardware from kit for upper hole.

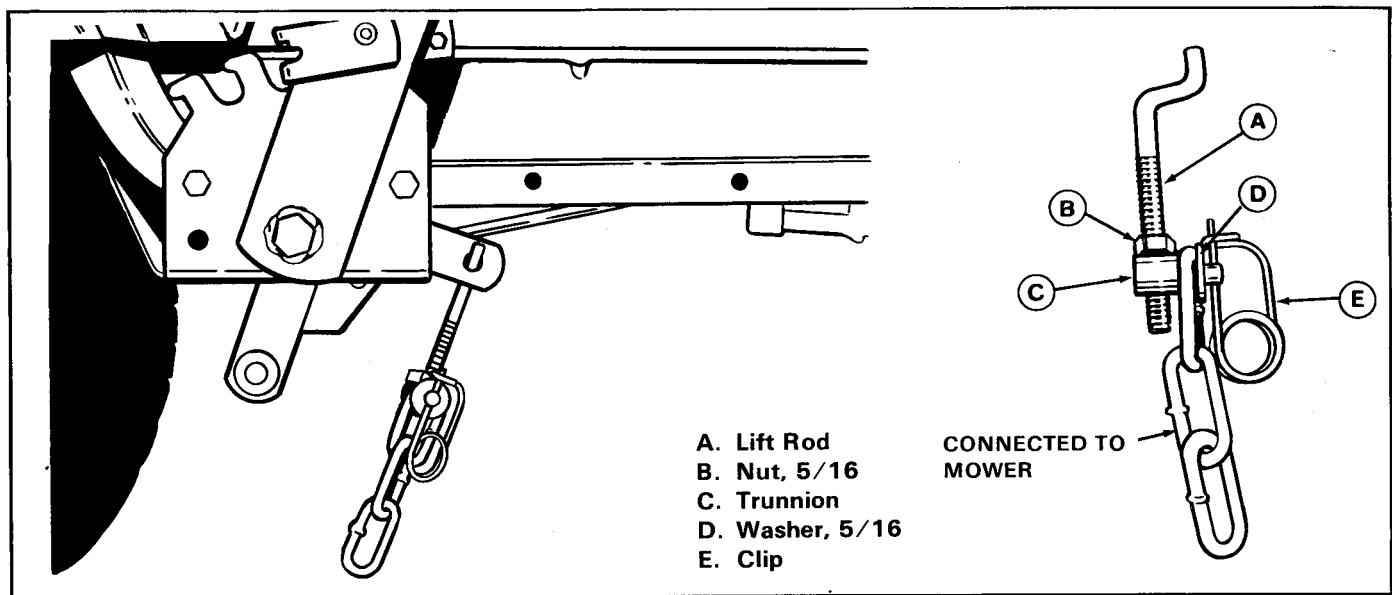


Figure 7.

### INSTALLATION AND ADJUSTMENT - LIFT ROD

1. Refer to "Important Information" at beginning of instructions.

#### NOTE

Connect chain in forward hole in lift arm (figure 8). Make sure chain is free to pivot.

2. Insert the lift rod (A, figure 7) into tractor lift arm and pivot back and down. Install the nut (B), trunnion (C), lift chain (connected to mower), washer (D) and clip (E) as shown.
3. To adjust, go to step 3 for 36" mowers, or step 4 for 42" mowers.
4. Adjust 36" mowers as follows.
  - a. Place the mower in low cut position. Using the lift lever, raise the mower.
  - b. Measure the distance between top of mower housing and the bottom rear corner of the lever

support bracket (figure 8). On 8 & 11 HP tractors, the measurement should be 5 inches. On 16 HP tractors, measurement should be 6 inches.

- c. To adjust, remove clip to remove chain from trunnion (C, figure 7). Loosen nut and turn the trunnion to raise or lower. Tighten nut when adjustment is correct.
5. Adjust 42" mower as follows.
    - a. Place the mower in low cut position. Using lift lever, raise the mower.
    - b. Measure the distance between the arbor cover and the upstop bracket (figure 9). It should be 1-13/16".
    - c. To adjust, remove clip to remove chain from trunnion (C, figure 7). Loosen nut and turn the trunnion to adjust. Tighten the nut when adjustment is correct.

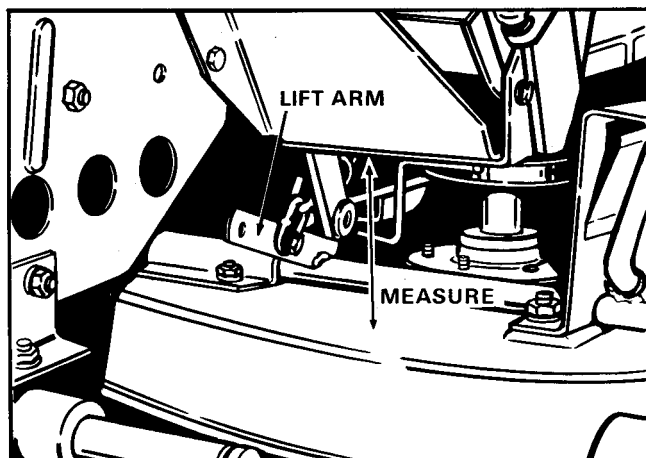


Figure 8. 36" Mower (Wheel removed for clarity)

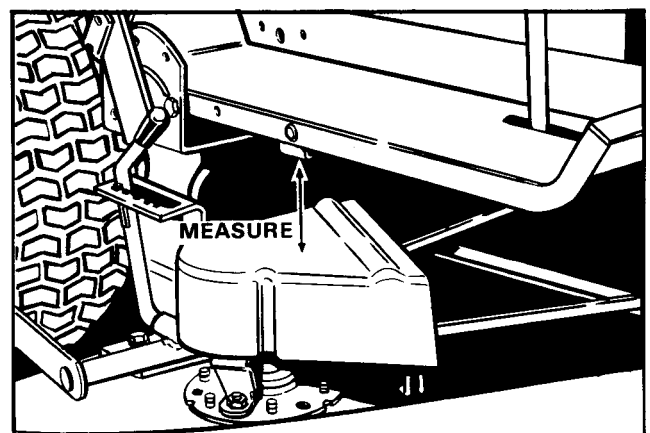


Figure 9. 42" Mower



## Free Manuals Download Website

<http://myh66.com>

<http://usermanuals.us>

<http://www.somanuals.com>

<http://www.4manuals.cc>

<http://www.manual-lib.com>

<http://www.404manual.com>

<http://www.luxmanual.com>

<http://aubethermostatmanual.com>

Golf course search by state

<http://golfingnear.com>

Email search by domain

<http://emailbydomain.com>

Auto manuals search

<http://auto.somanuals.com>

TV manuals search

<http://tv.somanuals.com>