

SNAPPER®

ASSEMBLY INSTRUCTIONS
OPERATOR'S MANUAL
PARTS LIST

Z-VAC

Grass Catcher Kit for CZT/HZT Series 0



Actual product may differ from product pictured above

Models covered:

Blower Kit	P/N 7078273
Bagger Kit	P/N 0-50576
Weight Kit	P/N 7078274

Complete Kit	P/N 7063375
--------------	-------------

Manual No. 7100056 (I.R. 03/31/05)

1 preliminaries

Congratulations!

You have just purchased one of the finest pieces of outdoor power equipment on the market today. If properly cared for, your new Z-Vac Grass Catcher Kit will provide years of dependable service. Please read and follow this instruction manual carefully in order to get the most out of your new equipment.

As you carefully unpack your unit, you will find the following items:

- 1 **Blower Kit**
- 1 **Bagger Kit**
- 1 **Weight Kit**
- 1 **Package containing operating manuals and warranty registration**

Each product leaves our factory in excellent condition; occasionally, however, some damage may occur during shipment. If any such damage is found upon initial inspection, immediately notify the transport carrier who delivered your machine, as they are solely responsible for such damage, as well as any subsequent adjustments necessary.

Before assembly, please take a moment and record your model number and serial number below for future reference (both numbers are located on the serial tag attached to the blower):

Model number _____

Serial number _____

Also be sure to promptly fill out and return the warranty registration enclosed in your manual packet.

Your new unit requires very little assembly. Simply follow the instructions contained within this manual to begin enjoying the benefits of your new unit.



IMPORTANT! READ CAREFULLY THE FOLLOWING SAFETY RULES BEFORE ASSEMBLING OR OPERATING UNIT.

TRAINING

- Read, understand, and follow all instructions in the manual and on the unit before starting. If the operator(s) or mechanic(s) can not read English it is the owner's responsibility to explain this material to them.
- Become familiar with the safe operation of the equipment, operator controls, and safety signs.
- All operators and mechanics should be trained. The owner is responsible for training the users.
- Only allow responsible adults, who are familiar with the instructions, to operate the unit.
- Never let children or untrained people operate or service the equipment. Local regulations may restrict the age of the operator.
- The owner/user can prevent and is responsible for accidents or injuries occurring to themselves, other people or property.

PREPARATION

- Evaluate the terrain to determine what accessories and attachments are needed to properly and safely perform the job. Use only accessories and attachments approved by the manufacturer.
- Wear appropriate clothing including safety shoes, safety glasses and ear protection. Long hair, loose clothing or jewelry may get tangled in moving parts.
- Inspect the area where the equipment is to be used and remove all objects such as rocks, toys and wire, which can be thrown by the machine.
- Use extra care when handling gasoline and other fuels. They are flammable and vapors are explosive.
 - a) Use only an approved container.
 - b) Never remove fuel cap or add fuel with the engine running. Allow engine to cool before refueling. Do not smoke.
 - c) Never refuel or drain the machine indoors.
- Check that operator's presence controls, safety switches and shields are attached and functioning properly. Do not operate unless they are functioning properly.

OPERATION

- Never run an engine in an enclosed area.
- Operate only in the daylight or with good artificial light, keeping away from holes and hidden hazards.
- Be sure of your footing while using pedestrian controlled equipment, especially when backing up. Walk, don't run.
- Do not operate in reverse unless absolutely necessary. Always look down and behind before and while traveling in reverse.
- Be aware of the blower discharge direction and do not point it at anyone. Do not operate the blower without hose and bagger hood in place.
- Never leave a running unit unattended. Always stop

engine before leaving unit.

- Never operate with guards not securely in place. Be sure all safety features are attached, adjusted properly and functioning properly.
- Never operate with the hose or hood removed or altered.
- Do not change the engine governor setting or over speed the engine.
- Stop on level ground, shut off engine before leaving the operator's position for any reason.
- Stop equipment and inspect impeller blades after striking objects or abnormal vibration occurs. Make necessary repairs before resuming operations.
- Keep hands and feet away intake and discharge areas.
- Keep pets and bystanders away.
- Do not operate the unit while under the influence of alcohol or drugs.
- Use caution when crossing roads and sidewalks. Stop engine if not blowing.
- Use care when loading or unloading the machine into a trailer or truck.
- Use care when approaching blind corners, shrubs, trees or other objects that may obscure vision.

SLOPE OPERATION

Slopes are a major factor related to loss-of-control and tip-over accidents, which can result in severe injury or death. All slopes require extra caution. If you cannot back up the slope, or if you feel uneasy on it, do not drive on it.

Do

- Mow up and down slopes, never across face.
- Remove obstacles such as rocks, tree limbs, etc.
- Watch for holes, ruts, or bumps. Uneven terrain could overturn the unit. Tall grass can hide obstacles.
- Keep all movement on the slopes slow and gradual. Do not make sudden changes in speed or direction.

Do Not

- Do not start or stop on a slope. If tires lose traction, proceed slowly straight down the slope.
- Do not turn on slopes unless necessary, and then, turn slowly and gradually downhill, if possible.
- Do not use near drop-offs, ditches, or embankments. The operator could lose footing or balance or blower could suddenly turn over if a wheel is over the edge of a cliff or ditch, or if an edge caves in.
- Do not operate on slopes with wet grass. Reduced footing or traction could cause sliding.
- Do not operate machine on slopes in excess of 10 degrees (18% grade) when equipped with a grass catcher.
- Do not operate machine without weight kit installed when equipped with a grass catcher.

2 *safety rules regarding outdoor power equipment*

CHILDREN

Tragic accidents can occur if the operator is not alert to the presence of children. Children are often attracted to the unit and its activity. Never assume that children will remain where you last saw them.

- Keep children out of the mowing area and under the watchful care of another responsible adult.
- Do not allow children or others to ride on the machine, attachment, or towed equipment (even with the blades off).
- Be alert and turn unit off if children enter the area.
- Before and during reverse operation, look behind and down for small children.
- Never allow children to operate the unit.
- Use extra care when approaching blind corners, shrubs, trees, or other objects that may obscure vision.

EMISSIONS

- Engine exhaust from this product contains chemicals known, in certain quantities, to cause cancer, birth defects, or other reproductive harm.
- Look for the relevant Emissions Durability Period and Air Index information on the engine emissions label.

MAINTENANCE AND STORAGE

- Always observe safe refueling and fuel handling practices when refueling the unit after transportation or storage.
- Always follow the engine manual instructions for storage preparations before storing the unit for both short and long term periods.
- Always follow the engine manual instructions for proper start-up procedures when returning the unit to service.
- Never store the machine or fuel container inside where there is an open flame, such as in a water heater. Allow unit

to cool before storing.

- Shut off fuel while storing or transporting. Do not store fuel near flames or drain indoors.
- Keep all hardware tight and keep all parts in good working condition. Replace all worn or damaged decals.
- Never tamper with safety devices. Check their proper operation regularly.
- Clean leaves and debris from mufflers and engine to prevent fires. Clean up oil or fuel spillage.
- Stop and inspect the equipment if you strike an object. Repair, if necessary, before restarting.
- Never make adjustments or repairs with the engine running unless specified otherwise.
- Park machine on level ground. Never allow untrained personnel to service machine.
- Carefully release pressure from components with stored energy. (e.g. springs)
- Only replace impellers. Never straighten or weld them.
- Keep hands and feet away from moving parts.
- Frequently check components and replace with manufacturer's recommended parts, when necessary.
- Use only factory authorized replacement parts when making repairs.
- Always comply with factory specifications on all settings and adjustments.
- Only authorized service locations should be utilized for major service and repair requirements.
- Never attempt to make major repairs on this unit unless you have been properly trained. Improper service procedures can result in hazardous operation, equipment damage and voiding of manufacturer's warranty.

BLOWER KIT INSTALLATION

STEP 1: Remove pin, rod and spring securing discharge deflector to mower deck, and remove deflector. Store deflector for future use. **IMPORTANT:** Never operate any mower without a discharge deflector or grass catcher securely in place.

STEP 2: Remove two bolts securing right deck pulley guard to mower deck and remove guard. Set bolts aside for future assembly step. Store guard for future use. **IMPORTANT:** Never operate any mower without a pulley guard securely in place.

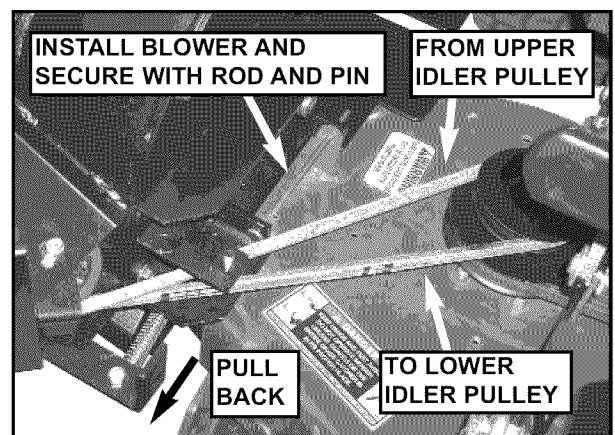
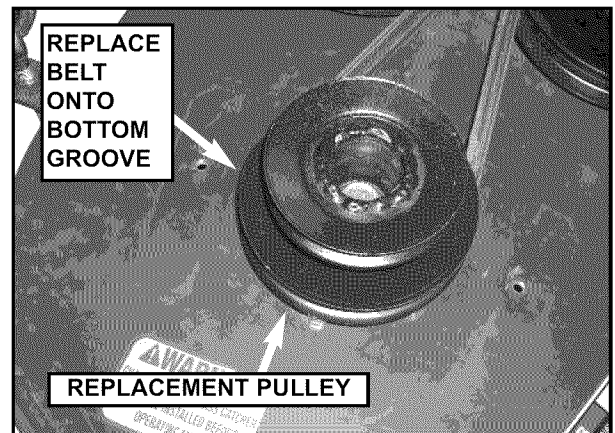
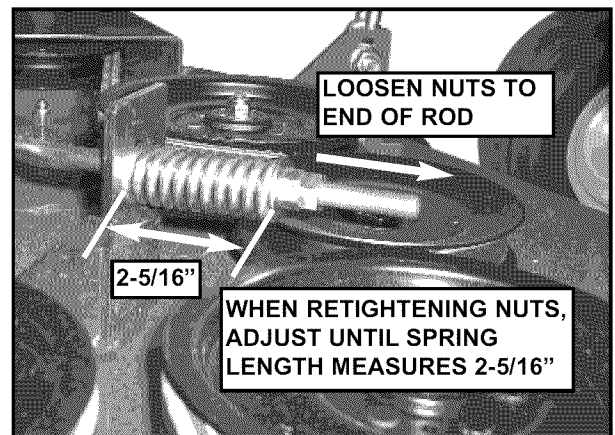
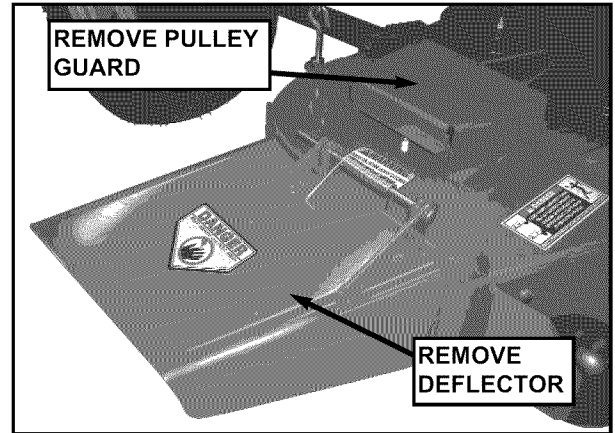
STEP 3: Loosen both nuts all the way to end of rod. **NOTE:** Deck belt tension rod is located under foot rest of machine. Removing foot rest will aid in accessing rod.

STEP 4: Remove belt from right deck pulley. Remove nut securing pulley to blade spindle, and remove pulley, replacing with supplied replacement pulley. Replace nut, and torque to 70-80 ft-lbs. **NOTE:** Nut secures blade bolt in place. Support bolt from beneath while replacing pulley. **IMPORTANT:** Use gloves when working under deck. Sharp blades can cause injury.

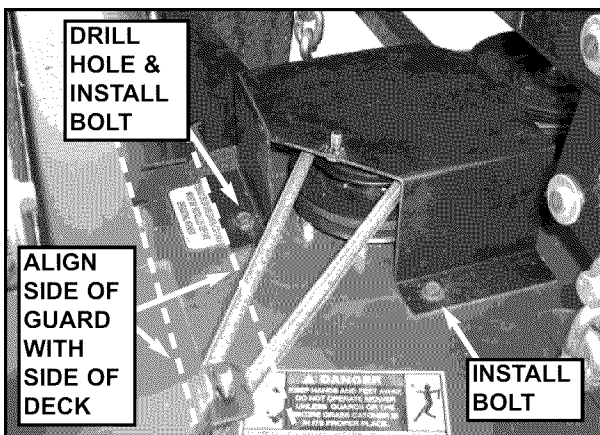
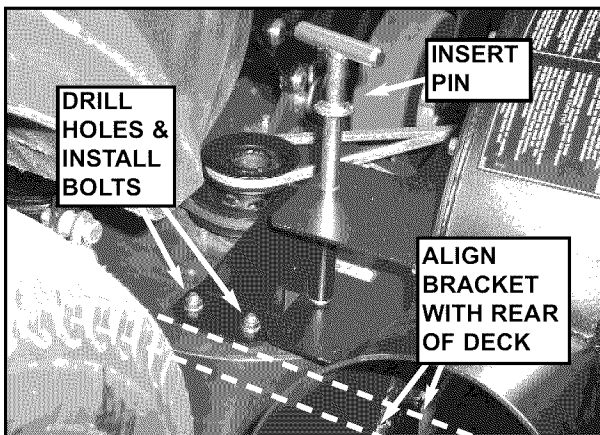
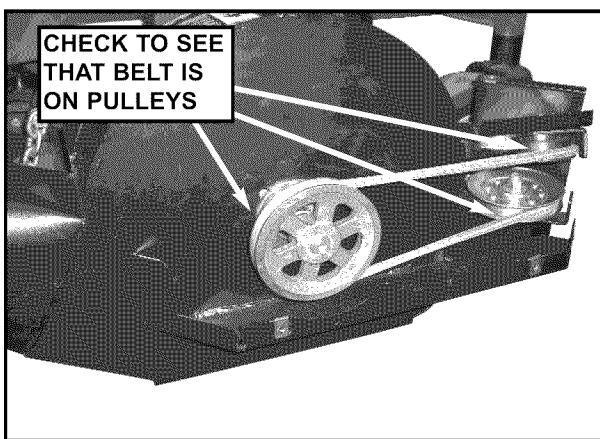
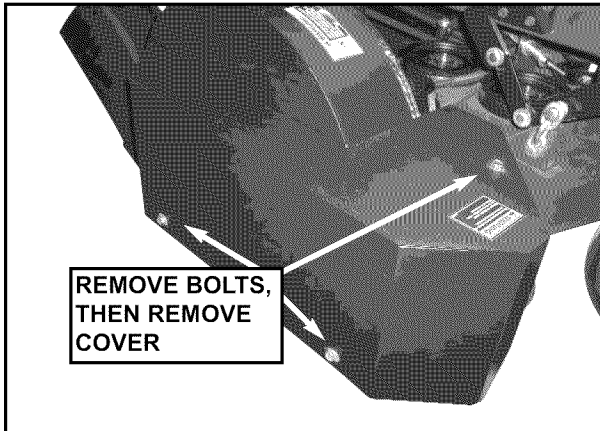
Replace deck belt onto bottom groove of pulley. With deck in lowest cutting position, retighten nuts on deck tension rod until spring length measures 2-5/16".

STEP 5: Set blower against deck discharge. Align holes in blower mount with holes in deck discharge tabs, and secure with rod and pin removed in Step 1. **NOTE:** Do not include deflector spring in rod installation.

STEP 6: Pull back on idler tension release handle, and install blower belt around top groove of deck pulley. **NOTE:** Make sure belt is not rolled or twisted when installing.



3 unit assembly



STEP 6a: Remove bolts securing impeller pulley cover to blower, and remove cover.

STEP 6b: Check to see that blower belt is routed around impeller pulley and idler pulleys after belt is installed onto deck pulley. Then replace cover. Tighten bolts securely. **IMPORTANT:** Never operate any mower without a pulley guard securely in place.

STEP 7: Slip tube of locking pin bracket into blower mount, and secure with T-handle pin, making sure pin goes through both upper and lower part of blower mount. Then align base of pin bracket parallel with rear of deck, and, using bracket as a template, drill two 7/16" holes through deck. Insert two 3/8-16 x 1" bolts up through deck and bracket, securing with hex flange nuts. Tighten securely. **IMPORTANT:** Use gloves when working under deck. Sharp blades can cause injury.

STEP 8: Lay supplied pulley guard onto deck. Align hole in front flange with front mounting hole in deck, and secure with one of the two bolts securing original guard. Do not tighten yet.

Align side flange of guard with side of deck, and, using other hole in guard as a template, drill one 9/32" hole in deck and install other bolt. (**NOTE:** Bolt is self-tapping.) Tighten both bolts securely.

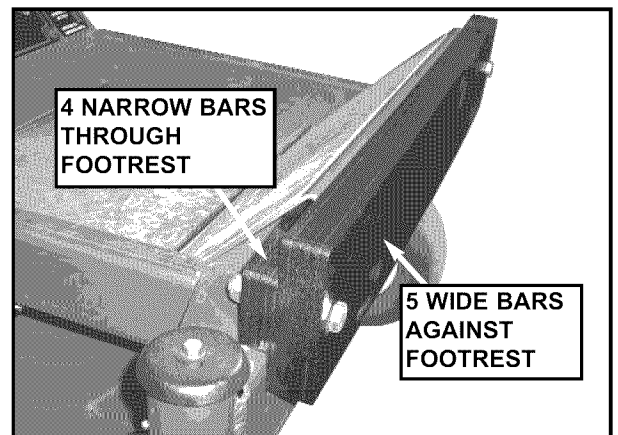
STEP 9: Install belt guard between pulley guard and belt guard support clip on front part of blower mount. Secure with two 5/16 nylon wing nuts. Tighten nuts securely.



WEIGHT KIT INSTALLATION

!! Warning: Weight kit must be installed prior to installing bagger unit. Failure to do so may result in longitudinal tipping of unit.

STEP 10: Insert the four narrow weight bars through opening in side of foot rest. Be sure holes in weights are all aligned. Next, insert the two 1/2-13 x 5 bolts through the five wide weight bars, and lay the wide bars against front of footrest, inserting bolts through holes in narrow bars. Secure with 1/2" split lock washers and nuts. Tighten securely.



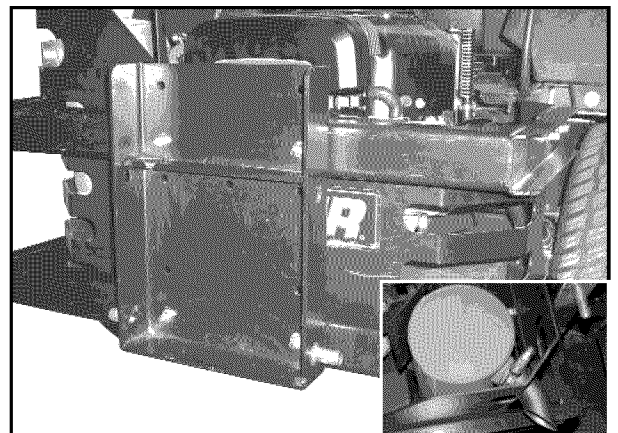
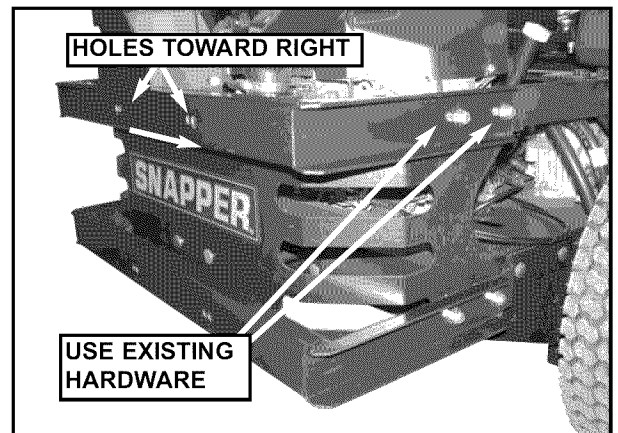
BAGGER KIT INSTALLATION

STEP 11: Install bumper mount standoffs onto rear bumper of machine, utilizing existing hardware on machine. **NOTE:** Invert hardware when installing standoffs, installing bolts out through bumper with nuts facing out.

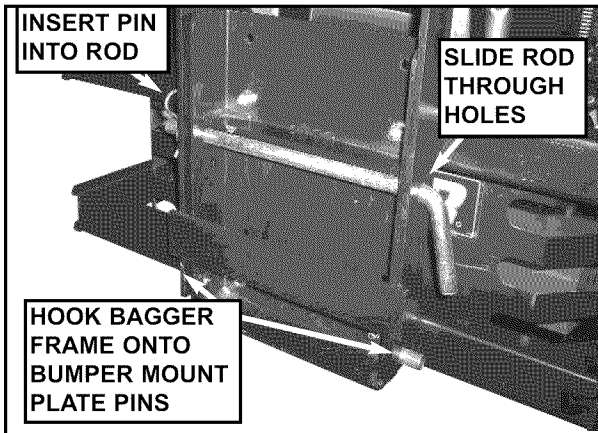
NOTE: When installing standoffs, be sure that the bumper mount plate mounting holes along the back bar of the standoffs are located towards the right side of the machine. Refer to the Parts List section of the manual.

STEP 12: Install bumper mount plate onto standoffs with four 5/16-18 x 3/4 hex cap screws, securing with four 5/16-18 flange lock nuts. Tighten securely.

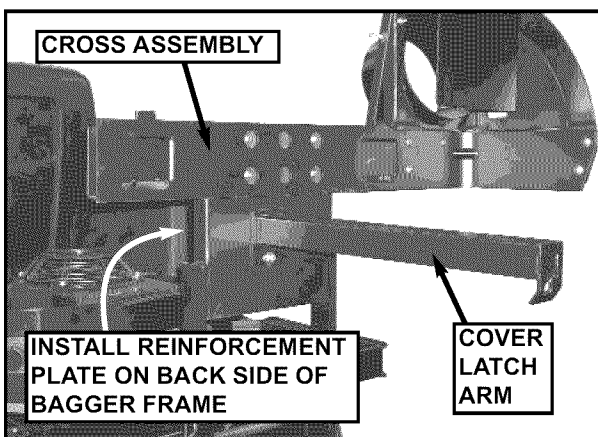
Also, install muffler deflector (see inset) onto muffler, making sure deflector directs exhaust off to the side of the mower. Fasten with clamp. **IMPORTANT: FAILURE TO INSTALL MUFFLER DEFLECTOR MAY RESULT IN A FIRE.**



3 unit assembly

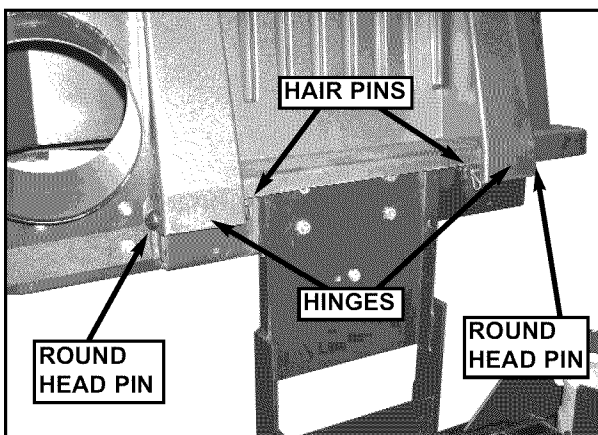


STEP 13: Hook bottom of bagger frame onto pins in bottom of bumper mount plate. Then slide locking rod through aligned holes in bagger frame and bumper mount plate, securing with bridge pin.

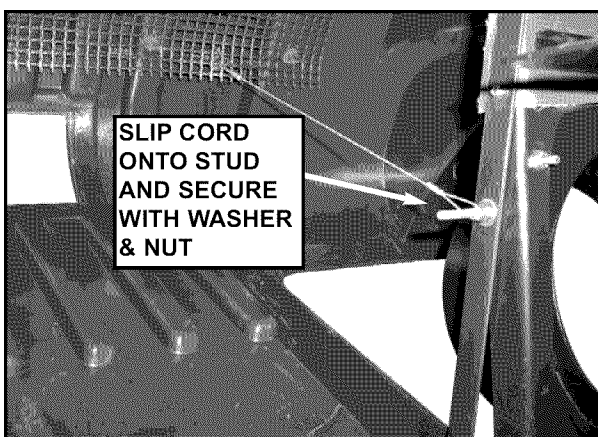


STEP 14: Install cross assembly onto bagger frame with four 3/8-16 x 3/4 bolts and hex flange lock nuts, tightening securely. Insert bolts back through bagger frame and into cross assembly.

STEP 15: Insert two 5/16-18 x 3/4 bolts through reinforcement plate (not shown; refer to Parts List - Catcher Mount Group), then through holes in bagger frame. Install cover latch arm onto bolts and secure with hex flange lock nuts, tightening securely. **NOTE:** Use the leftmost set of holes in the bagger frame when installing arm.

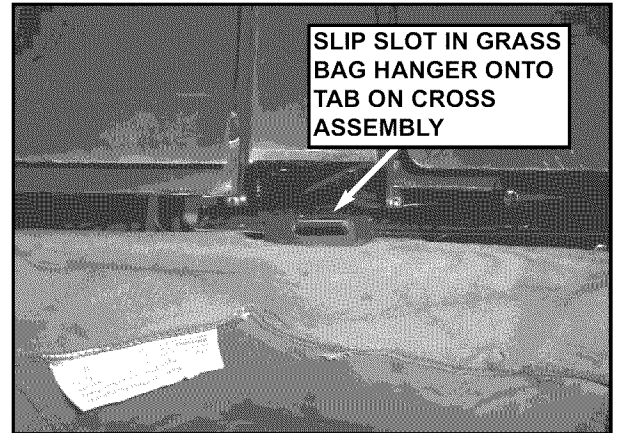


STEP 16: Lay cover assembly on cross assembly. Align hinges on cross assembly with hinges on cover, and install one round head pin through each set of hinge holes, securing with a hair pin.

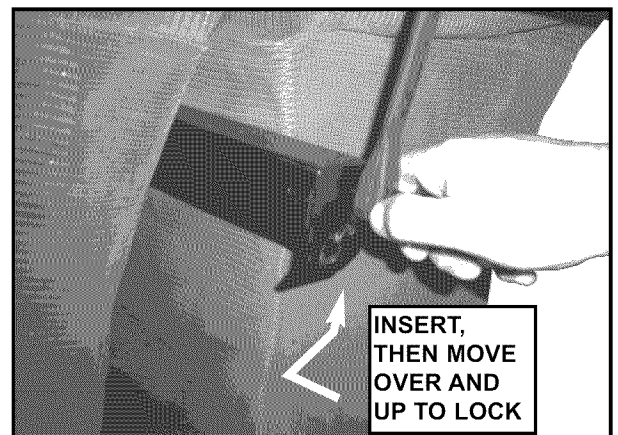


STEP 17: Slip looped end of cover support cord onto threaded stud on hose adapter assembly. Secure end of cord with one 3/16" flat washer and 10-32 nyloc nut (not shown). Run nut all the way in on thread, but leave cord loose enough to swivel.

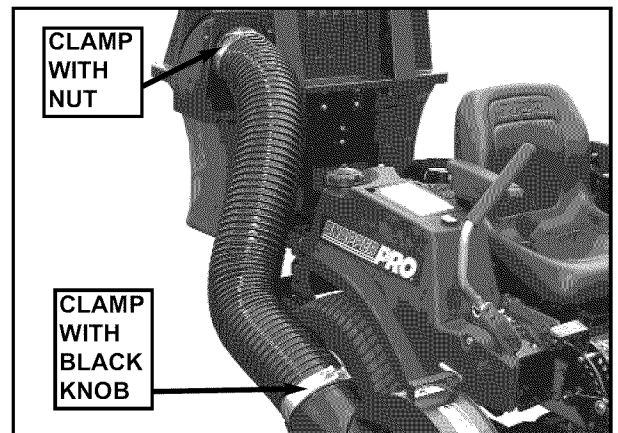
STEP 18: Install bags onto cross assembly by hooking slot in bag hanger onto tabs in channel assembly.



STEP 19: Close cover and lock in place by hooking lock knob into slot in cover latch arm.



STEP 20: Slip one hose clamp onto each end of hose (use the clamp with the black quick-release knob at the blower end), and install hose between blower and bagger. Make sure to fit hoses firmly onto adapters. Tighten clamps securely.



4 unit operation & maintenance

INTRODUCTION

Follow operation and maintenance instructions in the Operator's Manual provided with the Snapper CZT/HZT.

GRASS CATCHER OPERATION

1. Select desired cutting height. Choose a setting that will not attempt to cut off too much at once, overloading the machine.
2. After starting engine and allowing a brief warm up period, move engine speed control to highest setting.
3. Drive machine to cutting area. Engage blades.
4. Select a slow forward ground speed until familiar with conditions. Do not select a speed that is too fast, causing the machine to become overloaded.
5. The weight of the grass catcher and contents will affect the stability and handling of the machine. Avoid sudden starts and sharp turns. Reduce speed on slopes, and **DO NOT** operate machine on slopes exceeding 10 degrees (18% grade). Operate machine up and down slopes. **DO NOT** operate machine across the face of slopes. Turn blades off when traveling up slope.
6. Empty grass catcher bags often to minimize effect on stability and handling. Over filling the catcher bags will reduce performance and cause clogging of the hose, blower and deck.
7. Do not operate the machine with the Grass Catcher cover open. The entire Grass Catcher must be installed, the cover closed and latched properly before operating.

EMPTYING GRASS CATCHER

1. Empty Grass Catcher bags often to avoid overfilling. Overfilling reduces performance and causes clogging of hose, blower and deck.
2. Turn blades off. Drive machine to location the clippings are to be dumped. **DO NOT** operate blades in reverse. If you must back machine to dump clippings in desired location, **LOOK** and **SEE** behind and down for children, pets and hazards before and while backing.
3. Stop motion of machine by returning Motion Control(s) to Neutral (N). Set Park Brake. Stop engine.
4. Unlatch cover and lift. Remove bags and dump debris in desired location.
5. After dumping, to maintain peak performance, check the catcher screen located on the inside of the Cover Assembly to make sure it is clean and free of any build up. Clean as required with brush or broom.
6. Close catcher cover and latch.
7. Re-start engine and drive machine to cutting area. Set engine speed to highest setting, engage blades and resume operation.



 **WARNING** 

DO NOT attempt to remove any clogs from deck, blower, or hose with engine or blade running. **STOP** engine. **STOP** blades. Set brake. Remove key. Make sure blades and all rotating components have come to a complete stop before removing any catcher or unclogging any catcher component.



IF THE GRASS CATCHER BECOMES CLOGGED

The grass catcher may become plugged if the conditions are too severe, the catcher is overfilled, or the machine is used improperly. If plugging does occur, attempt the following:

1. Engine speed too slow – set engine speed control to “FAST” position.
2. Empty catcher bags more often.
3. Clean screen on cover assembly.
4. Ground speed too fast – cut at slower speed.
5. Removing too much grass – raise cutting height, cut partial width, and cut lawn more frequently.
6. Grass is too wet from rain or dew – allow grass to dry.
7. Blades are dull or worn – inspect blades and replace as necessary. Use only genuine SNAPPER replacement blades.
8. Deck, blower, or hose has clipping build up – clean all clippings from all internal surfaces.

 **WARNING** 

DO NOT put fingers or hands inside blower! **STOP** blades. **STOP** engine. Remove key. Use only a stick, or other suitable means, to clear the blower of clogs or other obstructions!

 **WARNING** 

DO NOT attempt any adjustments, maintenance or repairs with engine running. **STOP** blades. **STOP** engine. Remove key.

 **WARNING** 

Grass Catcher components are subject to deterioration. Inspect frequently. Replace worn or damaged components immediately. Use only genuine SNAPPER replacement parts.

(Continued On Next Page)

IF THE GRASS CATCHER BECOMES CLOGGED (Continued From Previous Page)

To Clear A Plugged Hose

1. Stop blades. Stop engine. Remove key.
2. After all rotating components (engine, blower, blades) have come to a complete stop, loosen hose clamp at outlet of blower, and remove hose from blower.
3. Clear any obstructions from hose. If necessary, use a stick to reach into the hose.
4. Reinstall hose to blower and securely tighten hose clamp.

To Clear A Plugged Blower

1. Stop blades and blower. Stop engine. Remove key.
2. After all rotating components have come to a complete stop, loosen the hose clamp at the outlet of the blower.
3. Remove hose from blower.
4. Using a stick or similar object, clear all obstructions from blower. **DO NOT INSERT HAND.**
5. Reinstall hose to blower and securely tighten hose clamp.

GRASS CATCHER MAINTENANCE

Grass Catcher components are subject to wear and deterioration during normal usage. Inspect all components frequently for signs of wear and deterioration. Replace worn or damaged components immediately.

BEFORE EACH USE

1. Perform pre-start checklist and maintenance as instructed in the SNAPPER CZT/HZT Operator's Manual and Engine Owner's Manual included with the machine.

2. **Catcher.** Inspect all catcher components. Replace all worn or damaged parts.
3. **Catcher Bags.** Check bags often for wear or damage. Replace worn or damaged bags immediately, using only SNAPPER approved replacement bags.
4. **Deck, Blower, Hose.** Clean grass build up from deck, blower, hose, covers and rear cover screen. To maintain peak performance make sure screen is clean at each dumping.
5. **Hose.** Check hose for wear, tears and holes. Replace as needed.
6. **Blades.** Check blades for sharpness, wear, flatness and damage. Refer to CZT/HZT Operator's Manual for blade wear limits and sharpening/replacement instructions.
7. **Blower.** Check blower impeller, blower housing and inlet/outlets for signs of wear and deterioration. Replace as needed. Check all fasteners and hardware to insure none are missing and all are tightened securely. Lubricate impeller shaft bearings with 1 to 3 shots of General Purpose grease from a grease gun.
8. **Belts.** Check belts for wear and fraying. Replace as needed.
9. **Idler Arm.** Check idler arm to insure it pivots freely and bushings are not worn. Replace worn bushings as needed.

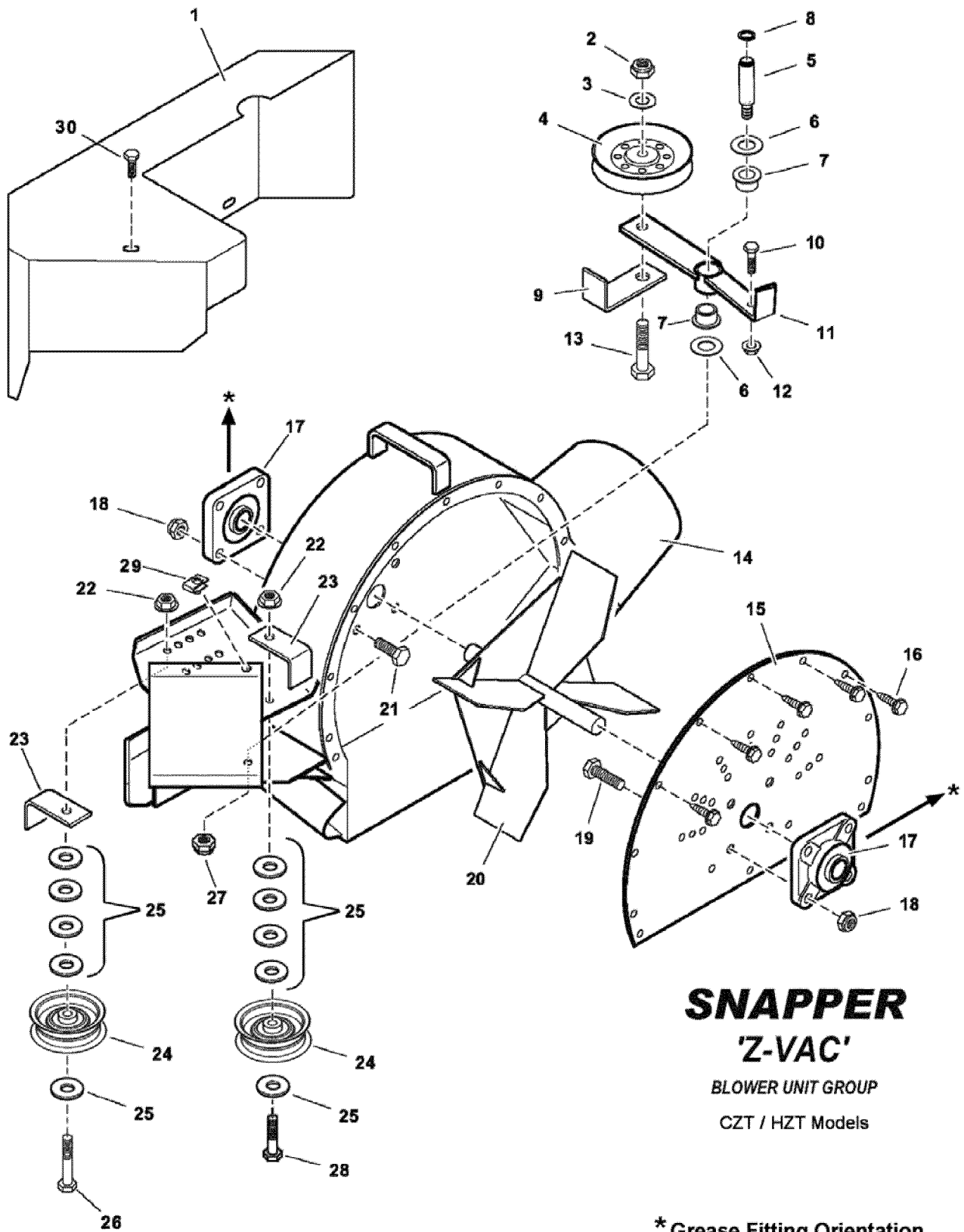


WARNING



Grass Catcher bags used on SNAPPER products are made of woven fabric, and are subject to deterioration and wear during normal usage. Check condition of bags before each use. Immediately replace worn or damaged catcher bags with only bags recommended by SNAPPER. The Grass Catcher is optional equipment on some models.

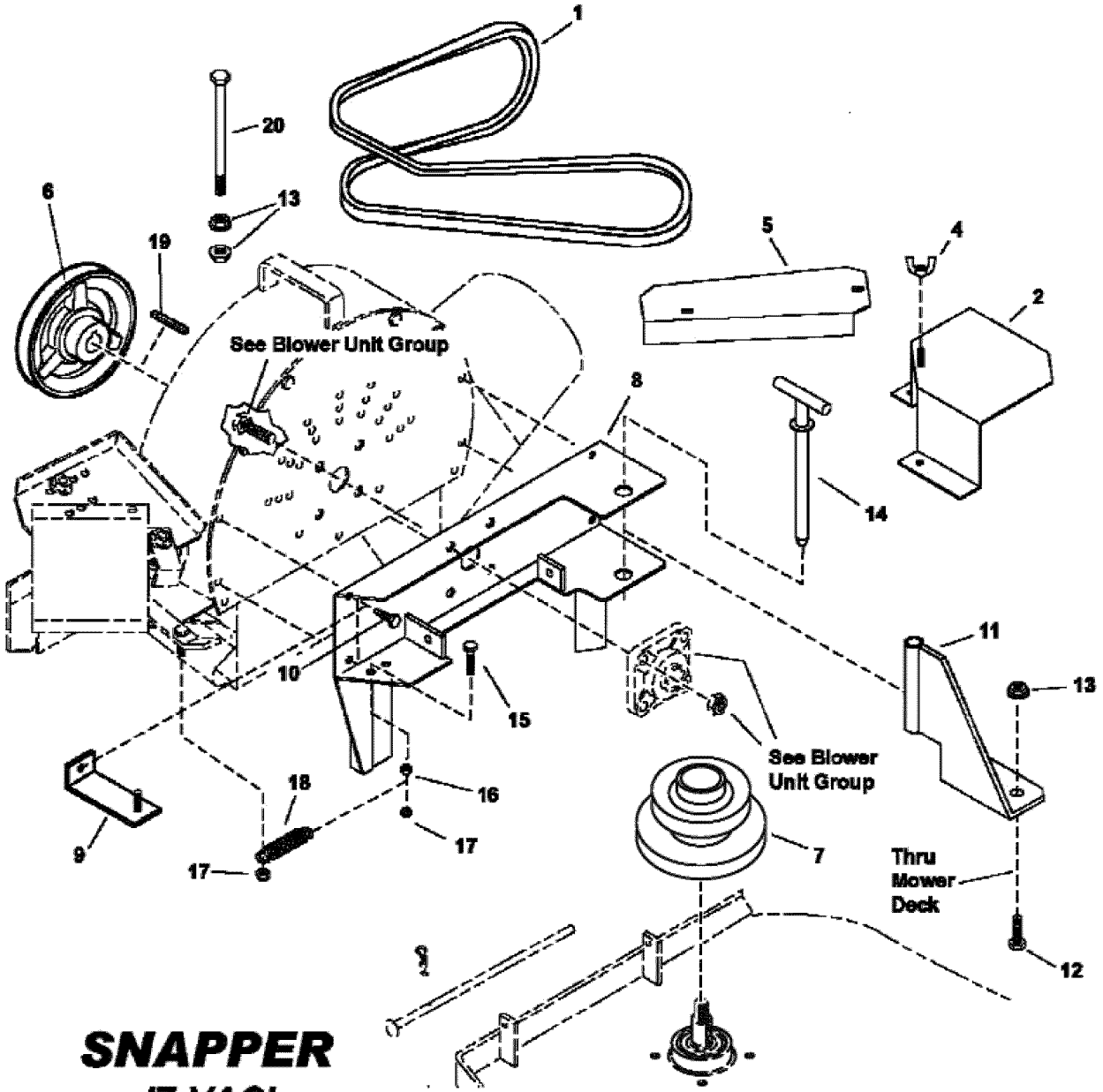
5 unit breakdown & parts list



Snapper Z-Vac Blower Unit Group - CZT / HZT Models

Item	Part No.	Qty	Description
1	3046782	1	WELDMENT, Blower Belt Guard
2	91121	1	NUT, 1/2-13 Hex Nyloc
3	90183	1	WASHER, 1/2" Flat SAE
4	3021097	1	PULLEY, A Groove Idler, Steel
5	44995	1	IDLER STUD (3/8-24 thread)
6	91804	2	FLAT WASHER, 9/16 Type Narrow
7	14409	2	FLANGE BEARING, 9/16" I.D. (powdered metal)
8	10776	1	RETAINING RING, 1/2"
9	3046824	1	BELT RETAINER, Idler
10	91527	1	SCREW, 5/16-18 x 1-1/4" Hex Head Cap, GR5
11	3047253	1	WELDMENT, Idler Arm
12	91601	1	NUT, 5/16-18 Hex Flange Lock
13	91218	1	SCREW, 1/2-13 x 2-1/2" Hex Head Cap, GR5
14	3046781	1	WELDMENT, Blower Housing
15	3046853	1	BACK PLATE, Blower
16	91541	7	SCREW, 5/16-18 x 3/4" Hex Washer Self-Tap
17	3022832	2	BEARING, Pillow Block, Blower (includes grease fitting)
18	90839	8	NUT, 7/16-14 Hex Center Lock, GR5 or B
19	3031920	4	SCREW, 7/16-14 x 1-1/2" Hex Head Cap, GR5
20	3046854	1	IMPELLER, Fast Vac Blower (weldment)
21	3031919	4	SCREW, 7/16-14 x 1-1/4" Hex Head Cap, GR5
22	90613	2	NUT, 3/8-16 Hex Flange Lock
23	3046813	2	BELT RETAINER
24	3043613	2	PULLEY, Flat Idler, 2-3/4" O.D.
25	90122	9	WASHER, 3/8" Flat SAE
26	91560	1	SCREW, 3/8-16 x 2-1/4" Hex Head Cap, GR5
27	91518	1	NUT, 3/8-24 Hex Nyloc
28	91305	1	SCREW, 3/8-16 x 2" Hex Head Cap, GR5
29	92111	3	U-CLIP, 5/16-18
30	91541	3	SCREW, 5/16-18 x 3/4" Hex Washer Self-Tap

5 unit breakdown & parts list



SNAPPER 'Z-VAC'

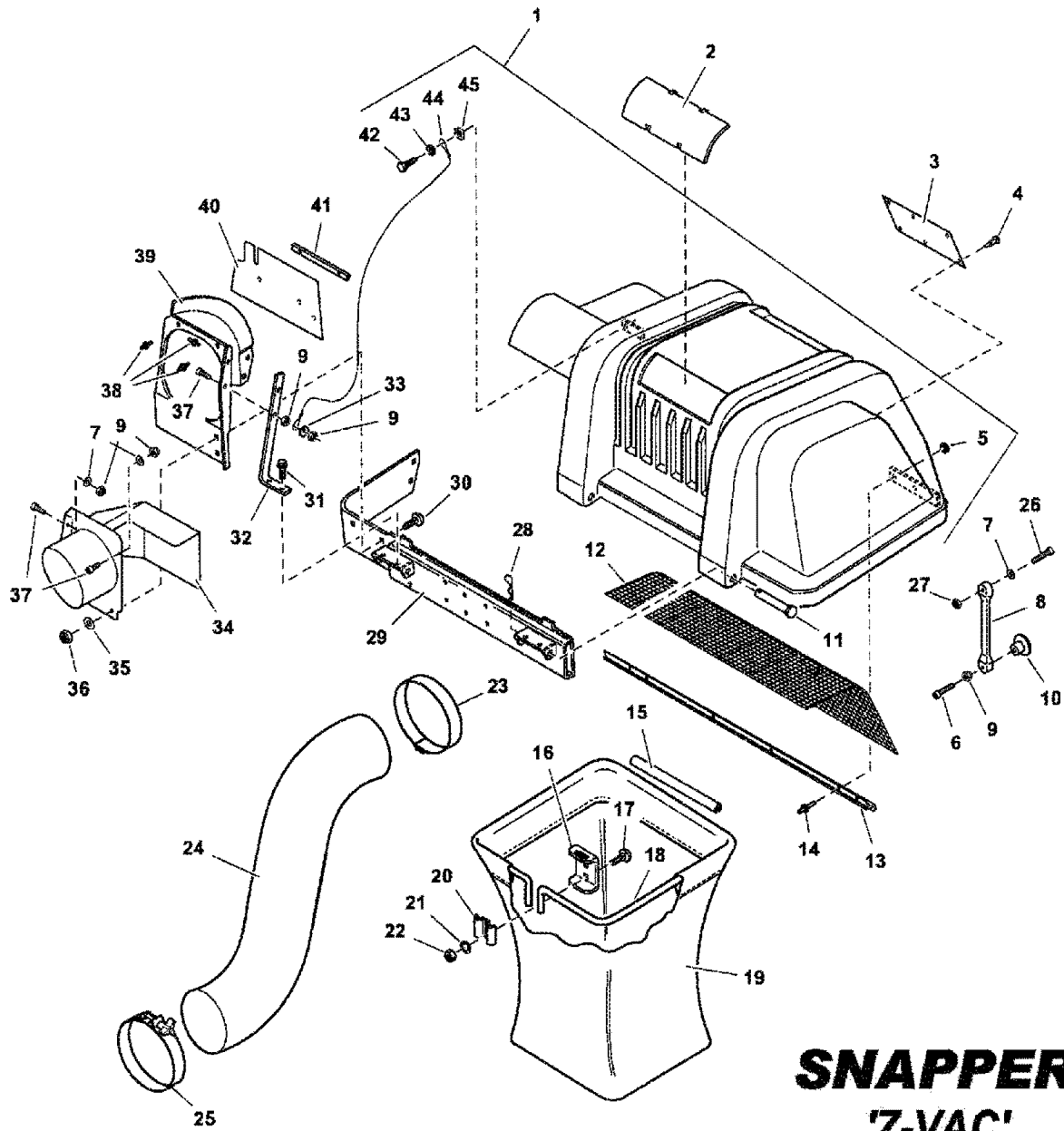
BLOWER MOUNT GROUP

CZT / HZT Models

Snapper Z-Vac Blower Mount Group - CZT / HZT Models

Item	Part No.	Qty	Description
1	3036323	1	BELT, A Section, 91.125" effective length
2	3037161	1	WELDMENT, Belt Cover, Deck
3	-----	--	NOT USED
4	91537	2	WING LOCKNUT 5/16-18
5	3037162	1	BELT GUARD
6	3046806	1	PULLEY, Blower Input
7	78298	1	PULLEY, Spindle
8	3027505	1	WELDMENT, Blower Mount
9	3027507	1	WELDMENT, Guard Support Bracket
10	91541	4	SCREW, 5/16-18 x 3/4" Hex Washer Self-Tap
11	3027508	1	WELDMENT, Deck Mount Bracket
12	91304	2	SCREW, 3/8-16 x 1" Hex Head Cap, GR5
13	90613	4	NUT, 3/8-16 Hex Flange Lock
14	3032118	1	WELDMENT, T-Handle Pin
15	91527	1	SCREW, 5/16-18 x 1-1/4" Hex Head Cap, GR5
16	91601	1	NUT, 5/16-18 Hex Flange Lock
17	90951	2	NUT, 5/16-18 Hex Large Flange Center Lock
18	3020807	1	SPRING, Idler, Fast Vac
19	12315	1	KEY, 1/4 Square x 1.44
20	91617	1	SCREW, 3/8-16 x 6" Hex Head Cap, GR5

5 unit breakdown & parts list

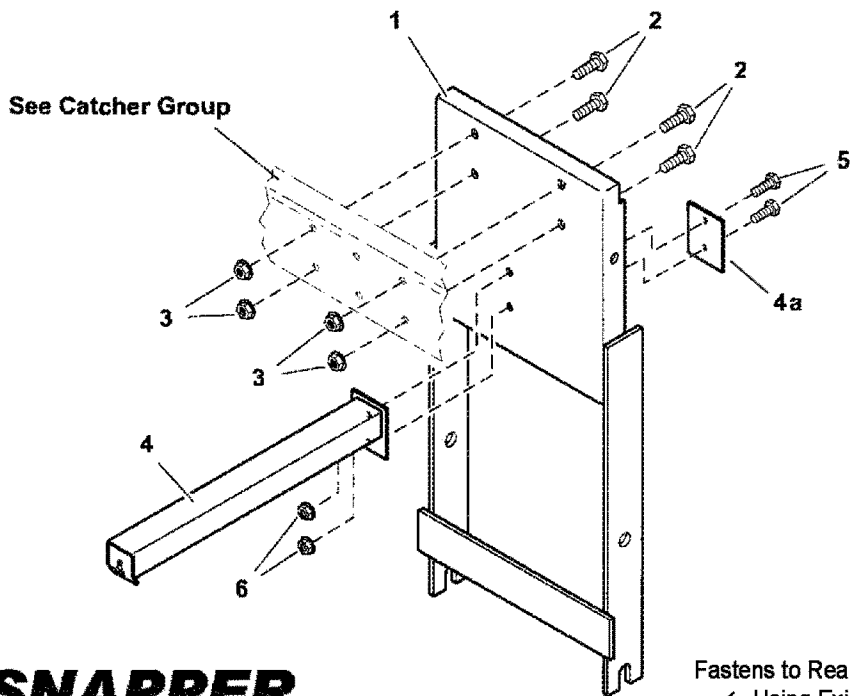


SNAPPER
'Z-VAC'
CATCHER GROUP
CZT / HZT Models

Snapper Z-Vac Catcher Group - CZT / HZT Models

Item	Part No.	Qty.	Description
1	3046861	1	ASSEMBLY, 2 Bag Cover and Screen (includes Item No. 1a, 5, 12, 13, 14, 42, 43, 44, 45)
1a	1704033	1	CATCHER TOP, 2 Bag
2	1704180	2	WINDOW, Cover
3	1704405	1	DECAL, Safety, Grass Bag
4	1667248	6	CLIP, Canoe
5	1910531	4	WASHER, .188 Rivet
6	90922	1	SCREW, #10-32 x 1-1/2 Hex Washer Head Machine w/Nylon Patch
7	91702	3	WASHER, .19 x .38 x .06 Flat
8	3021670	1	STRAP, Rubber
9	90376	5	NUT, #10-32 Hex Nyloc
10	3022838	1	KNOB
11	0960367	2	PIN, Round Head
12	1703700	1	SCREEN
13	1704057	1	SEAL, Clip
14	91578	4	POP RIVET, 3/16 x .265 Alum.
15	1675707	2	TUBE CLIP, Grass Bag
16	1703807	2	HANGER, Grass Bag
17	90316	4	BOLT, 5/16-18 x 3/4" Square Neck Carriage, GR5
18	1703855	2	HOOP, Grass Bag
19	3000847	2	GRASS BAG
20	1672023	2	CLAMP, Grass Bag
21	90187	4	WASHER, 5/16" Split Lock
22	91511	4	NUT, 5/16-18 Hex, GR5 or B
23	3022875	1	HOSE CLAMP, Upper
24	3022833	1	HOSE, Snapper Fast Vac
25	3022876	1	HOSE CLAMP, Lower, Fast Vac
26	91757	1	SCREW, #10-24 x 1-1/4" Hex Head Cap, GR5
27	91290	1	NUT, #10-24 Hex Nyloc
28	15067	2	HAIR PIN, 1.6
29	1703822	1	CROSS ASSEMBLY
30	91530	5	BOLT, 1/4-20 x 3/4" Carriage
31	91084	2	SCREW, 1/4-20 x 3/8" Hex Washer Self-Tap
32	1704507	1	STRAP, Tube Support
33	91702	1	WASHER, .191 I.D. Flat
34	3046722	1	WELDMENT, Hose Adapter/Deflector
35	90598	3	WASHER, 1/4" Flat
36	91603	5	NUT, 1/4-20 Hex Nyloc
37	90883	3	SCREW, 10F x 7/8" Pan Head Cross Recess
38	91241	3	POP RIVET, 3/16"
39	1704075	1	SUPPORT, Tube
40	3046774	1	SEAL, 2 Bag Catcher
41	1704508	1	BRACKET, Seal
42	1960400	1	SCREW, #10-12 x 5/8" Hex Washer Self-Tap
43	90052	1	WASHER, 1/4" Split Lock
44	1705876	1	CABLE, Double Loop
45	1933886	1	NUT, Speed

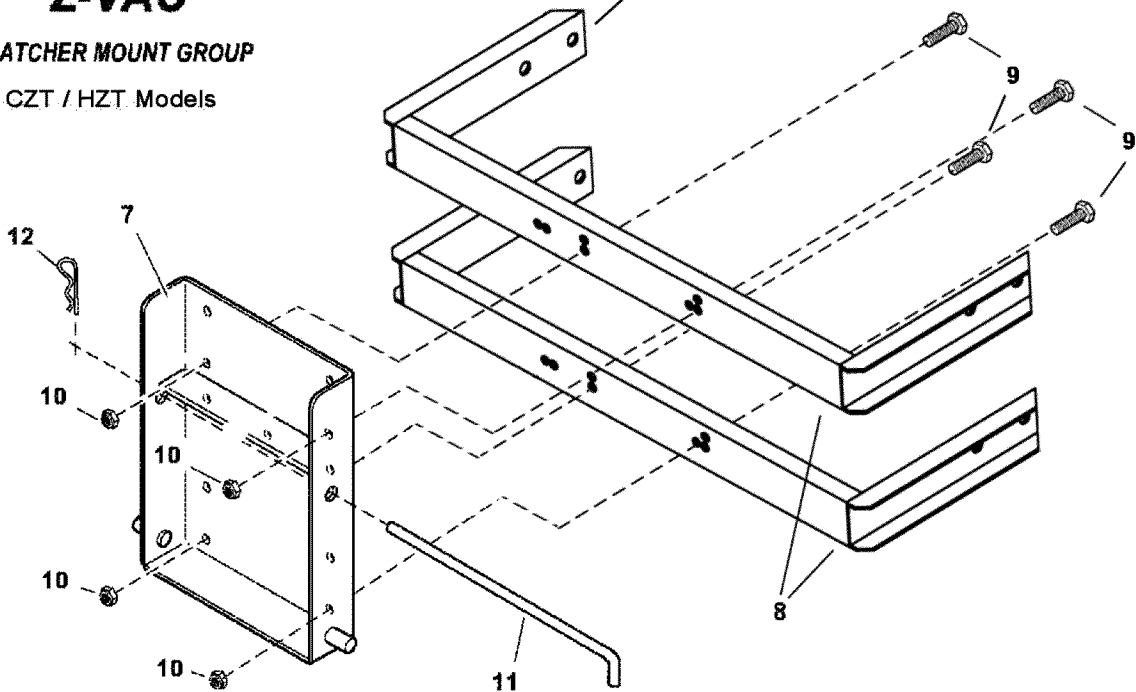
5 unit breakdown & parts list



SNAPPER 'Z-VAC'

CATCHER MOUNT GROUP
CZT / HZT Models

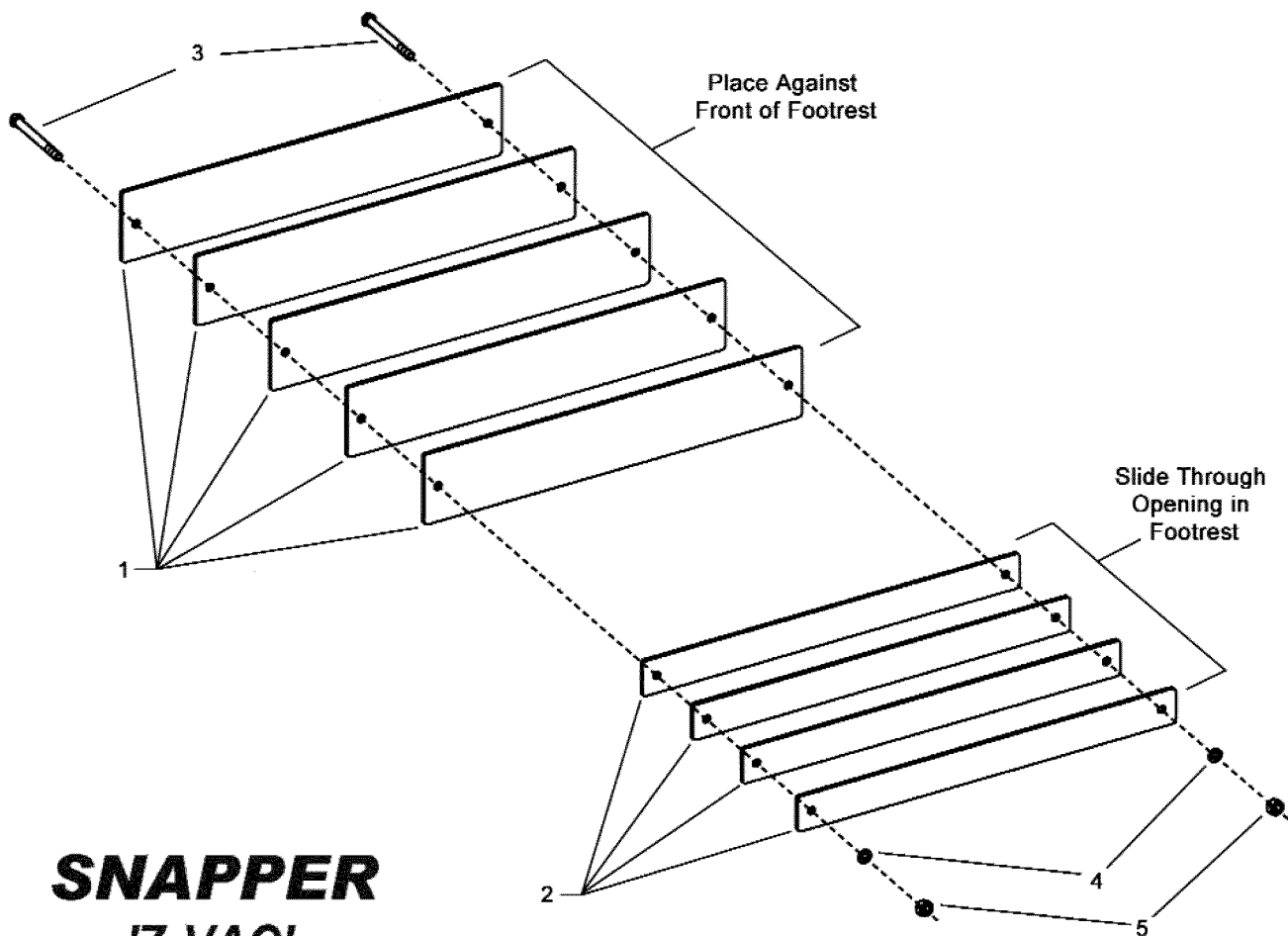
Fastens to Rear Bumper Assembly of Mower
Using Existing Bumper Hardware



Snapper Z-Vac Catcher Mount Group - CZT / HZT Models

Item	Part No.	Qty.	Description
1	3046687	1	WELDMENT, Bagger Mount Frame
2	91086	4	SCREW, 3/8-16 x 3/4" Hex Head Cap, GR5
3	91619	4	NUT, 3/8-16 Hex Flange Lock
4	3046831	1	ARM, Cover Latch
4a	3046829	1	REINFORCEMENT PLATE
5	91318	2	SCREW, 5/16-18 x 3/4" Hex Head Cap, GR5
6	91601	2	NUT, 5/16-18 Hex Flange Lock
7	3046995	1	WELDMENT, Bumper Mounting Plate
8	50551	2	STANDOFF, Bumper Mount
9	91318	4	SCREW, 5/16-18 x 3/4" Hex Head Cap
10	91601	4	NUT, 5/16-18 Hex Flange Lock
11	3046693	1	ROD, Support
12	15067	1	HAIRPIN, Clip
--	3039122	1	EXHAUST DEFLECTOR (Not Shown)
--	3039123	1	MUFFLER CLAMP (Not Shown)

5 unit breakdown & parts list



SNAPPER **'Z-VAC'**

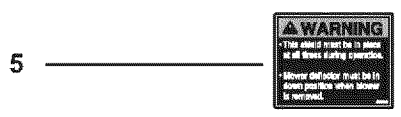
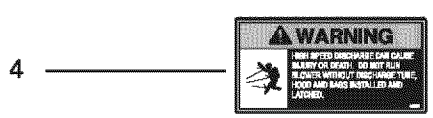
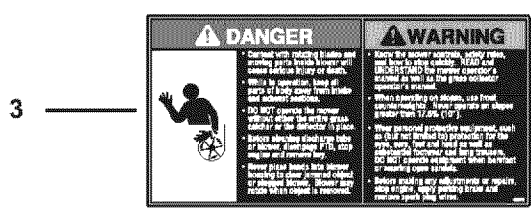
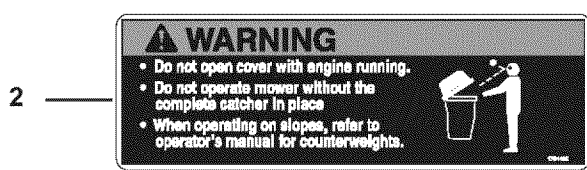
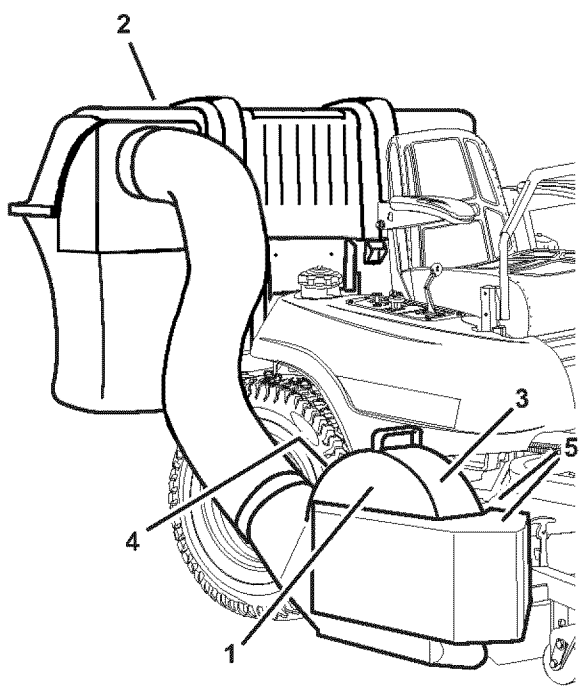
WEIGHT BAR GROUP

CZT / HZT Models

Snapper Z-Vac Weight Bar Group - CZT / HZT Models

Item	Part No.	Qty.	Description
1	78288	5	WEIGHT, 27 x 5 x 1/4"
2	78289	4	WEIGHT, 27 x 2-1/2 x 1/4"
3	91821	2	BOLT, 1/2-13 x 3" Hex Head
4	90254	2	WASHER, 1/2" Split Lock
5	91316	2	NUT, 1/2-13 Hex

5 unit breakdown & parts list



NOTE:
Decals are not to scale.

Snapper Z-Vac Decal Group - CZT / HZT Models

Item	Part No.	Qty.	Description
1	3046944	1	DECAL, Fast-Vac
2	1704405	1	DECAL, Safety, Grass Bag
3	3046850	1	DECAL, Danger, Fast-Vac
4	3046851	1	DECAL, Warning, Fast-Vac
5	3046883	1	DECAL, Warning, Fast-Vac

2 YEAR LIMITED WARRANTY

For two (2) years from purchase date for the original purchaser's residential, non-commercial use, SNAPPER, through any authorized SNAPPER dealer will replace, free of charge (except for taxes where applicable), any part or parts found upon examination by the factory at McDonough, Georgia, to be defective in material or workmanship or both.

For one (1) year from purchase date for the original purchaser's commercial, non-residential use, SNAPPER, through any authorized SNAPPER dealer will replace, free of charge, any part or parts found upon examination by the factory at McDonough, Georgia, to be defective in material or workmanship or both.

For ninety (90) days from purchase date for the original purchaser's rental use, SNAPPER, through any authorized SNAPPER dealer will replace, free of charge, any part or parts found upon examination by the factory at McDonough, Georgia, to be defective in material or workmanship or both.

All transportation costs incurred by the purchaser in submitting material to an authorized SNAPPER dealer for replacement under this warranty must be paid by the purchaser.

This warranty does not apply to certain transmissions, to engines and their components, and batteries, as these items are warranted separately. This warranty does not apply to parts that have been damaged by accident, alteration, abuse, improper lubrication, normal wear, or other cause beyond the control of SNAPPER. This warranty does not cover any machine or component part that has been altered or modified changing safety, performance, or durability.

Batteries have a one (1) year warranty period with free replacement if required for one (1) year from the original purchase date. SNAPPER will not be responsible for any installation cost incurred. The battery warranty only covers original equipment batteries and does not cover damage to the battery or machine caused by neglect or abuse, destruction by fire, explosion, freezing, overcharging, improper maintenance, or use of improper electrolyte.

There is no other express warranty.

DISCLAIMER OF WARRANTY

Implied warranties, including those of merchantability and fitness for a particular purpose, are limited to two (2) years from purchase date for the original purchaser's residential or other non-commercial use, and one (1) year from purchase for the original purchaser's commercial, non-residential use, and ninety (90) days from purchase for the original purchaser's rental use and to the extent permitted by law, any and all implied warranties are excluded. This is the exclusive remedy. Liabilities for consequential damages, under any and all warranties are excluded.

Some states do not allow limitations on how long an implied warranty lasts, or do not allow the exclusion or limitation of incidental or consequential damages, so the above limitation or exclusion may not apply to you.

This warranty gives you specific legal rights, and you may also have other rights which vary from state to state.

WARNING: THE USE OF REPLACEMENT PARTS OTHER THAN GENUINE SNAPPER PARTS MAY IMPAIR THE SAFETY OF SNAPPER PRODUCTS AND WILL VOID ANY LIABILITY AND WARRANTY BY SNAPPER ASSOCIATED WITH THE USE OF SUCH PARTS.

IMPORTANT: Please fill out the SNAPPER Product Registration Card immediately and mail to:
Snapper's Product Registration Center, P.O. Box 1379, McDonough, Georgia 30253

SNAPPER®

ASSEMBLY INSTRUCTIONS
OPERATOR'S MANUAL
PARTS LIST

Z-VAC

Grass Catcher Kit
for CZT/HZT
Series 0

SNAPPER®

McDonough, GA 30253 U.S.A.

Manual No. 7100056 (I.R. 03/31/05)

Free Manuals Download Website

<http://myh66.com>

<http://usermanuals.us>

<http://www.somanuals.com>

<http://www.4manuals.cc>

<http://www.manual-lib.com>

<http://www.404manual.com>

<http://www.luxmanual.com>

<http://aubethermostatmanual.com>

Golf course search by state

<http://golfingnear.com>

Email search by domain

<http://emailbydomain.com>

Auto manuals search

<http://auto.somanuals.com>

TV manuals search

<http://tv.somanuals.com>