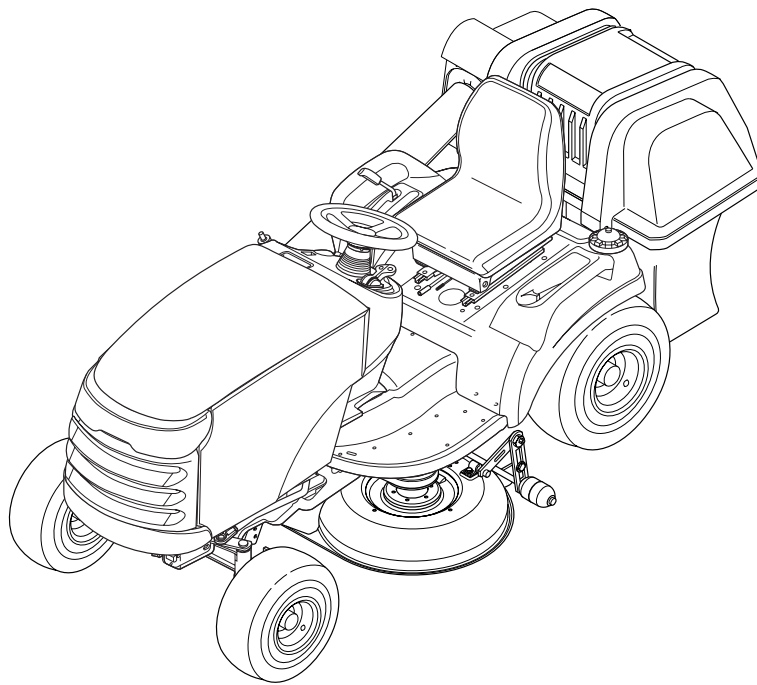


ATTACHMENT OPERATOR'S MANUAL



Turbo Clean Sweep Twin Catcher

Turbo Clean Sweep Twin Catcher

| Mfg. No. | Description |
|----------|---------------------------------------------------------------|
| 1694153 | Turbo Clean Sweep Twin Catcher <i>(Multiple Applications)</i> |
| 1694693 | Turbo Clean Sweep Twin Catcher <i>(Multiple Applications)</i> |

1723846
Revision 06
Rev 4/2005
TP 100-2599-06-AT-UV

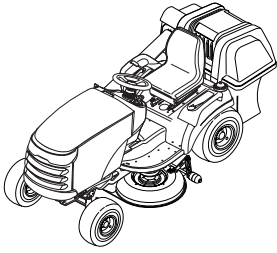


Table of Contents

Safety Rules & Information

| | |
|-----------------------|---|
| General Warnings..... | 2 |
| Safety Decals | 2 |

General Operating Information

| | |
|-------------------------------------|---|
| Mowing with the Triple Catcher..... | 3 |
| Recommended Accessories..... | 3 |
| After Operation | 3 |
| Storing the Grass Catcher..... | 3 |

Initial Assembly & Installation

Install Mounting Plates - Broadmoor / 1600 / 2600 / LT Series

| | |
|-------------------------------|---|
| Install Plates & Spacers..... | 4 |
|-------------------------------|---|

Install Mounting Plates - Conquest / 1700 / 2700 / YT & Prestige / 1800 / 2800 / GT Series

| | |
|-----------------------|---|
| Install Spacers | 4 |
|-----------------------|---|

Catcher Assembly - All Models

| | |
|--------------------------------|---|
| Assemble Supports & Hitch..... | 5 |
| Install Cover & Bags | 6 |
| Assemble & Install Tubes | 6 |

Normal Removal & Installation

| | |
|--------------------|---|
| Removal..... | 7 |
| Installation | 7 |

Installation with a Tiller

| | |
|-----------------------------|---|
| Initial Setup..... | 8 |
| Installation & Removal..... | 8 |


Hardware Identification & Torque Specifications

| | |
|------------|----|
| Chart..... | 10 |
|------------|----|

NOTE: In these instructions, "left" and "right" are referred to as seen from the operating position.

Safety Rules & Information



Read these safety rules and follow them closely. Failure to obey these rules could result in loss of control of unit, severe personal injury or death to you, or bystanders, or damage to property or equipment. The triangle  in text signifies important cautions or warnings which must be followed.

GENERAL WARNINGS

- Know the unit's controls and how to stop quickly. **READ THE OPERATOR'S MANUALS.**
- Read and obey all safety decals.
- Only allow responsible adults, who are familiar with the instructions, to operate the unit.
- Disengage the PTO. Shut off the engine and wait for all moving parts to stop before attaching, adjusting, or disconnecting any part of the collection system.
- Check the collection system to make sure it is bolted tightly to the unit.
- DO NOT operate the unit without either the entire grass catcher or the deflector in place.
- Turn off the PTO to disengage the blades when not mowing.
- DO NOT mow in reverse. Always look down and behind before and while travelling in reverse.
- DO NOT turn sharply when travelling alongside a building or any object. Slow down before turning.
- DO NOT carry passengers.
- When collection system is removed from the mower deck, the deflector must be properly installed.
- Collector bags are subject to deterioration and wear during normal use. Inspect the bag periodically for tears, holes, or weak spots and replace with a new bag that meets manufacturer's durability standards.
- If the mower stalls or the collector chute plugs:
 1. Disengage the PTO;
 2. Stop the engine and remove the key;
 3. Set the parking brake, and wait for all moving parts to stop.
 4. Remove the foreign object or clear the chute with a piece of wood before restarting the engine. **NEVER place hands into COLLECTOR OR MOWER housing to clear jammed objects. Blower OR MOWER may rotate when object is removed.**
- For added stability and to prevent tipping or loss of control:
 - a. Use reduced speed on uneven ground and when turning corners.
 - b. Reduce loads on hillsides. It is recommended that the collection system be kept only half full when negotiating any slopes. Start mowing on slopes when the collection system is empty.
 - c. Mow up and down the face of slopes; never across the face of any slope.
- When operating on slopes, use front counterweights. **Never operate on slopes greater than 17.6% (10°).**

SAFETY DECALS

This unit has been designed and manufactured to provide you with the safety and reliability you would expect from an industry leader in outdoor power equipment manufacturing.

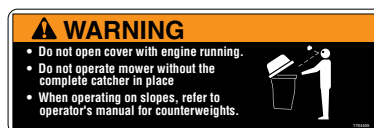
Although reading this manual and the safety instructions it contains will provide you with the necessary basic knowledge to operate this equipment safely and effectively, we have placed several safety labels on the unit to remind you of this important information while you are operating your unit.

All DANGER, WARNING, CAUTION and instructional messages on your rider, attachments and mower should be carefully read and obeyed. Personal bodily injury can result when these instructions are not followed. The information is for your safety and it is important! The safety decals below are on your product.

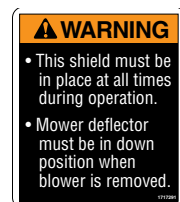
If any decals are lost or damaged, replace them at once. See your local dealer for replacements.

These labels are easily applied and will act as a constant visual reminder to you, and others who may use the equipment, to follow the safety instructions necessary for safe, effective operation.

ATTACHMENT DECALS



Decal - WARNING Do Not Open Cover
Part Number 1704405



Decal - WARNING
Part Number 1717291

Read and obey all operation and warning decals.



BEFORE OPERATION

Clear the lawn of all sticks, stones, wire and other debris which may be caught or thrown by the mower blades.

Check grass condition. If wet, wait until later in the day. If grass is wet, the grass catcher is likely to become plugged.

For efficient bagging, air circulation under the mower deck, through the chute and into the bag is very important.

For this reason, BEFORE YOU BEGIN MOWING you should make certain the underside of the mower and the underside of the catcher lid are free from grass and debris.

Make sure that there is a snug fit between mower deck, blower housing, tubes, and grass catcher cover.

MOWING WITH THE CATCHER

Always operate with throttle at full speed when mowing. Grass should be cut often, and not too short. If grass is too long or lush it may be necessary to keep ground speed to a minimum or to cut only half the width of the mower to prevent clogging. If grass is long, operate with mower in high cutting position for first pass, cutting again in a lower position on a second pass.

Do not open the cover with mower engaged.

If a large amount of cut grass is spilling out from under deck, the tube may be plugged or the bags may be full—discontinue mowing, stop the rider, disengage the PTO, shut off the engine and then empty the catcher or clear the tube.

⚠ WARNING

ALWAYS shut off the tractor. Disengage the PTO, and allow all moving parts to stop **BEFORE** disconnecting or clearing tube, or emptying catcher.

Before leaving the operator's position for any reason, engage the parking brake, disengage the PTO, stop the engine and remove the key.

To reduce fire hazard, keep the engine, rider and mower free of grass, leaves and excess grease. Do not stop or park rider over dry leaves, grass or combustible materials.

REQUIRED ACCESSORIES

A front-mounted weight carrier and 66 lbs. worth of weights are required when using this rear-mounted grass catcher. **Never operate on slopes greater than 17.6% (10°).**

AFTER OPERATION

Remove any debris from the the screen on the underside of the lid. *Note: The lid screen can be partially removed for easier cleaning and should be cleaned regularly.*

The blower housing and tube should be removed for cleaning.

Inspect the grass bags for wear or damage. Make sure that there is a snug fit between mower deck, blower housing, tubes, and grass catcher cover.

STORING THE GRASS CATCHER

⚠ CAUTION

Do not leave grass in bagger containers. Empty containers after each use and before storing. Failure to do so may result in spontaneous combustion which could develop into a fire.

Clean the grass catcher thoroughly using a mild detergent (other products may damage the tube). Remove any debris from the the screen on the underside of the lid.

If paint has been scratched on metal parts, touch up with paint, or apply a thin film of oil to prevent corrosion.

Store in a dry area. Dry thoroughly before storing for a long period of time. Always store away from moisture.

Initial Assembly & Installation

Setup



INSTALL MOUNTING PLATES - BROADMOOR / 1600 / 2600 / LT SERIES

Install Plates & Spacers

1. Mount the side brackets (B, Figure 1) to both sides of the frame using the holes shown. Secure with one 3/8-16 x 1 cap screw (C) and 3/8-16 nylock nut (A) per side.
2. Install the rear spacers (C, Figure 2). Secure with two 1/2-13 x 2-1/2 cap screws (E), washers (D), spacers (C), and 1/2-13 nylock nuts (A) per side.

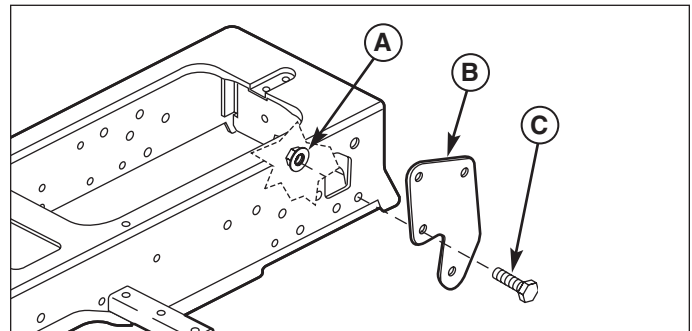


Figure 1. Install Side Brackets

- A. Nylock Nut, 3/8-16 C. 3/8-16 x 1
B. Side Bracket

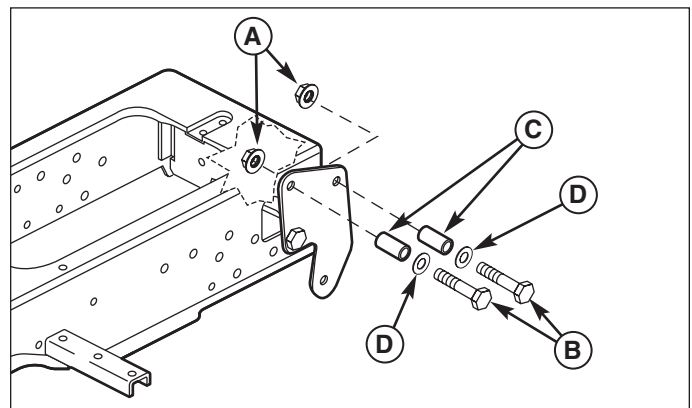


Figure 2. Install Rear Spacers

- A. Nylock Nuts, 1/2-13 C. Spacers
B. 1/2-13 x 2-1/2 Cap screw D. 1/2" Washers

INSTALL MOUNTING SPACERS - CONQUEST / 1700 / 2700 / YT & PRESTIGE / 1800 / 2800 / GT SERIES

NOTE: If installing this catcher on a unit equipped with a rear tiller, refer to the "Installation with a Tiller" section for special installation instructions.

Install Spacers

1. Install the rear spacers (C, Figure 3). Secure with two 1/2-13 x 2-1/2 cap screws (E), washers (D), spacers (C), and 1/2-13 nylock nuts (A) per side.

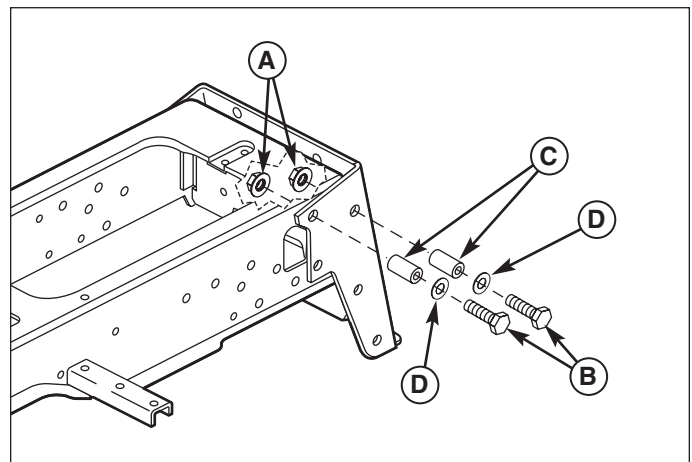


Figure 3. Install Rear Spacers

- A. Nylock Nuts, 1/2-13 C. Spacers
B. 1/2-13 x 2-1/2 Cap screw D. 1/2" Washers

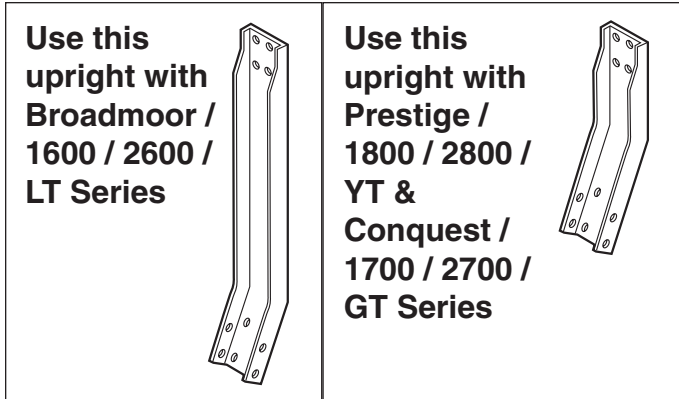


Figure 4. Upright Identification

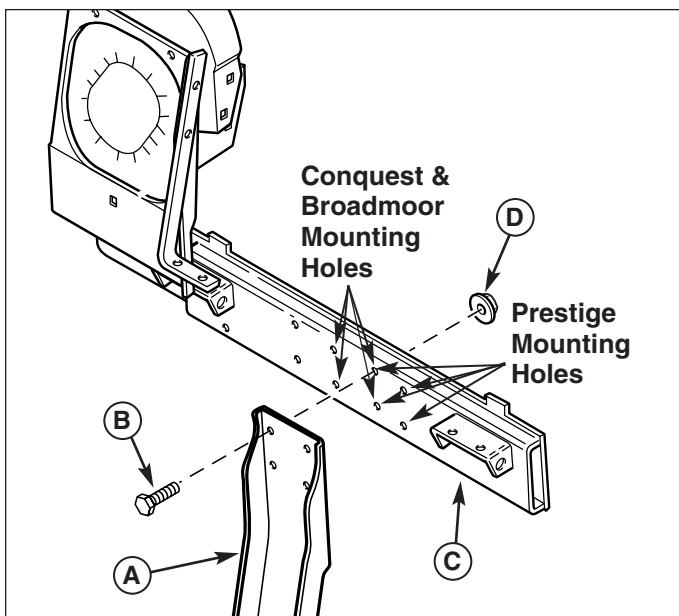


Figure 5. Assemble Catcher Frame
 A. Upright Support C. Horizontal Support
 B. 3/8-16 x 7/8 Cap screw D. 3/8-16 Whizlock Nut

CATCHER ASSEMBLY - ALL MODELS

Assemble Supports and Hitch

1. Refer to Figure 4 to select the proper upright support for your application.
2. Bolt the upright support (A, Figure 5) to the horizontal support (C). Secure with 3/8-16 x 7/8 cap screws (B) and 3/8-16 whizlock nuts (D).
3. Bolt the lower support plate (D, Figure 6) to the upright support (B) using two 3/8-16 x 1 cap screws (C), lockwashers, and 3/8-16 nuts (A).
4. Install the hitch side plates (B, Figure 7) and secure with four 3/8-16 x 1-1/4 cap screws (C), lockwashers, and 3/8-16 nuts (A).

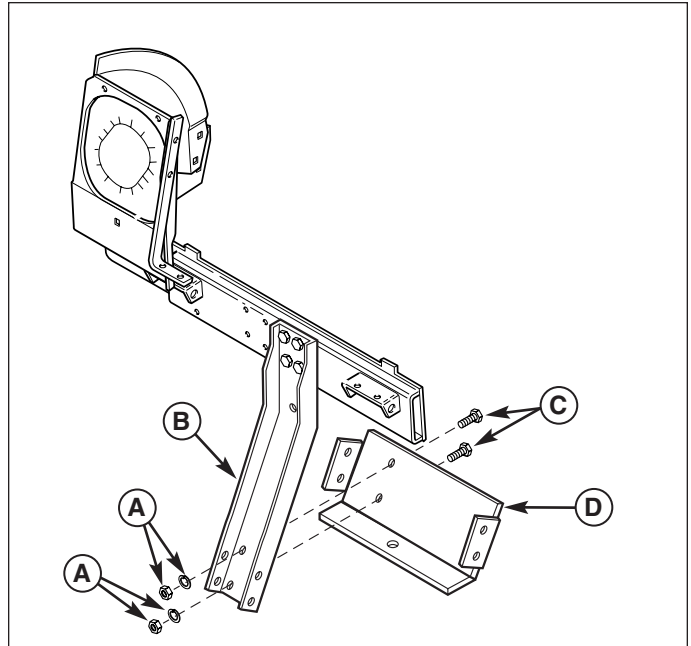


Figure 6. Assemble Catcher Frame (Prestige Shown)
 A. 3/8-16 Nut & Lockwasher C. 3/8-16 x 1 Cap screws
 B. Upright Support Assy. D. Lower Support

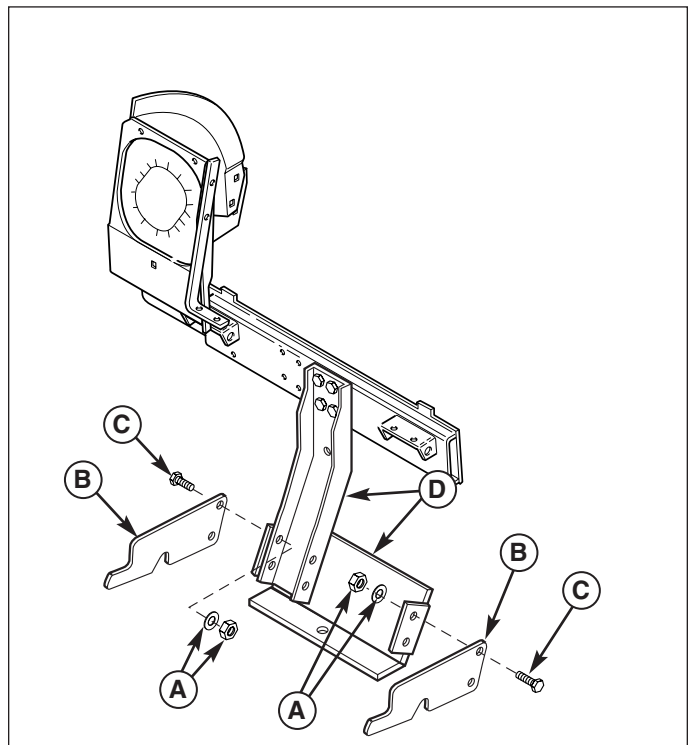


Figure 7. Assemble Catcher Frame (Prestige Shown)
 A. 3/8-16 Nuts & Lockwashers C. 3/8-16 x 1-1/4 Cap screws
 B. Side Plates D. Support Assembly

Initial Assembly & Installation

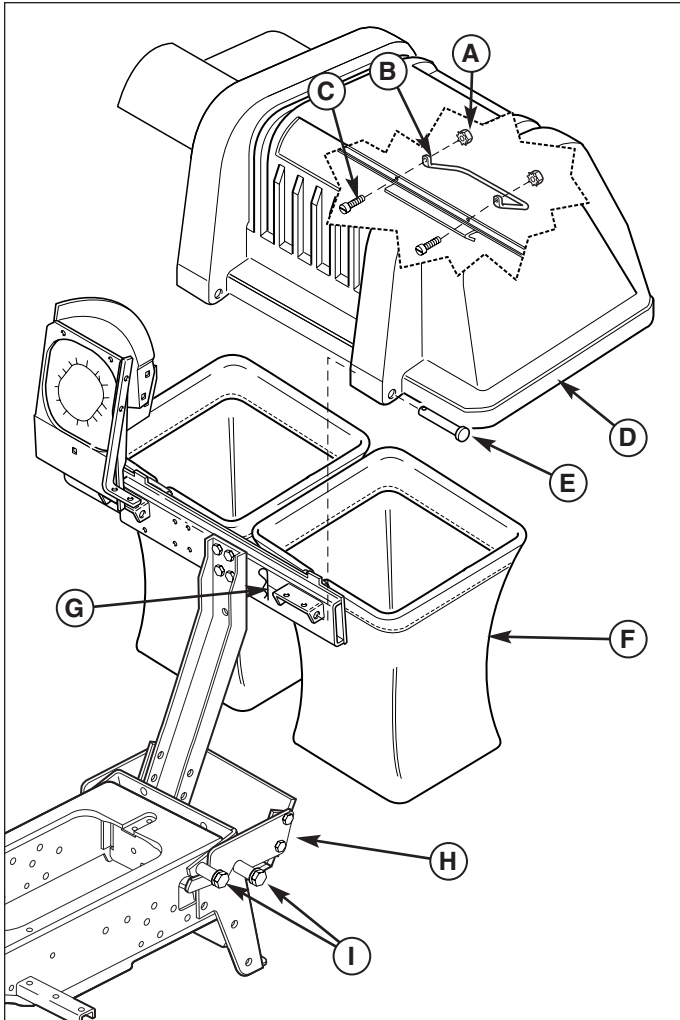


Figure 8. Install Catcher (Prestige Shown)
A. #10-32 Nut
B. Handle
C. #10-32 x 1/2 Screw
D. Cover
E. Hinge Pin
F. Bags
G. Hair Pin Clip
H. Catcher Hitch
I. Spacers

Install Cover and Bags

1. Mount the catcher hitch (H, Figure 8) on the frame spacers (I).
2. Hang the bags (F) on the horizontal support.
3. Install the handle (B) inside the cover. Secure with two #10-32 x 1/2" screws (C) and #10-32 nuts (A).
4. Rest the cover assembly (D) on the bags (F).
5. Install the two hinge pins (E) and secure with hair pin clips (G).
6. Open the cover and fasten cable (A, Figure 9) to support (B). The looped cable end fits over washer (C).

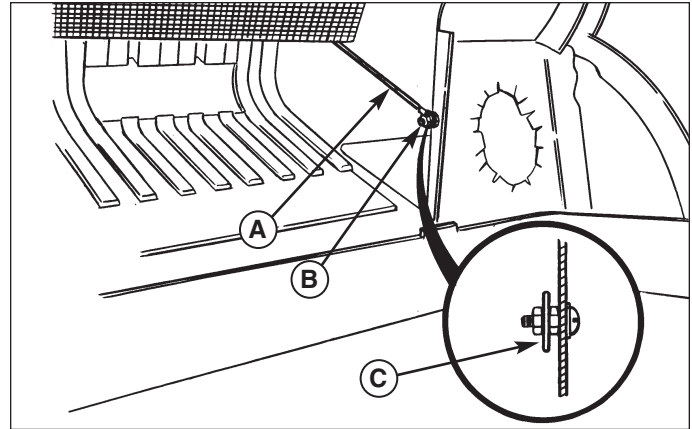


Figure 9. Install Cable
A. Cable
B. Support
C. Washer

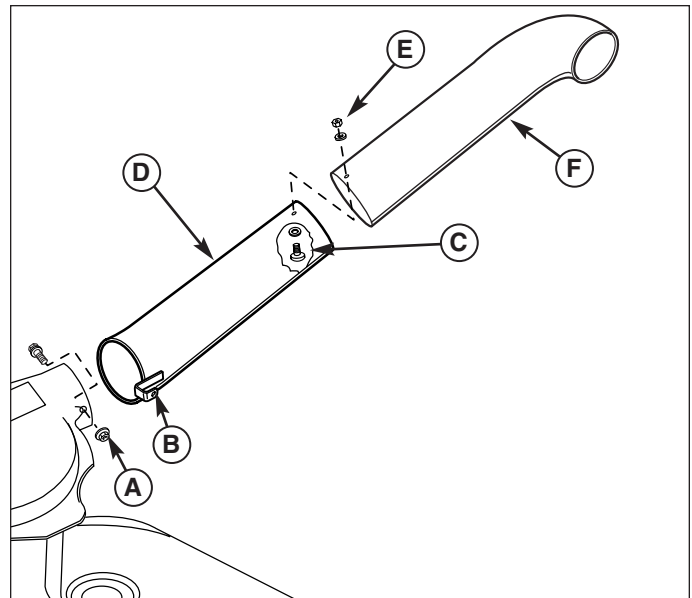


Figure 10. Install Tubes
A. Flange Nut
B. Clip
C. #10-32 x 1/2 Screw & Washer
D. Lower Tube
E. #10-32 Nut & Washer
F. Upper Tube

Assemble & Install Tubes

NOTE: Install turbo blower at this time.

1. Locate the lower tube (D, Figure 10) and upper tube (F).
2. Assemble the upper and lower tubes using two #10-32 x 1/2 screws (C), washers, and #10-32 nuts (E).
3. Insert the tube assembly into the catcher.
4. Connect the lower tube (D) to the turbo. Lock the clip (B) on the flange nut (A).

Normal Removal & Installation

Attach



- A. Tubes
- B. Hair Pin Clip
- C. Frame Spacers
- D. Bags
- E. Clevis Pin
- F. Cover
- G. Clip

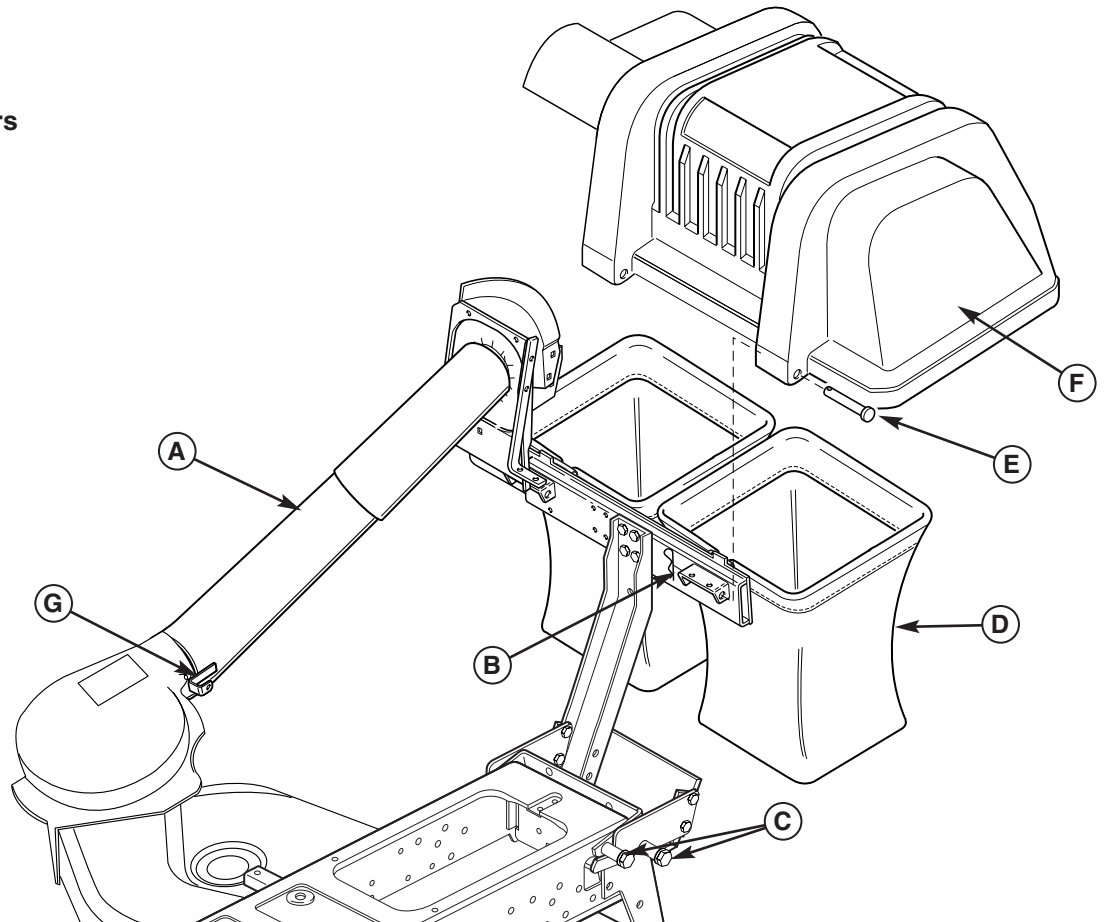


Figure 11. Normal Removal & Installation (Prestige Shown)

WARNING

OPERATION WITHOUT TURBO & CATCHER

For operation without turbo, the mower deflector **MUST** be properly installed in the down position and retained by the spring latch (see turbo operator's manual).

NORMAL REMOVAL & INSTALLATION

Removal

1. Disconnect the tubes (A, Figure 11) from the turbo and remove them from the catcher.
2. Remove the hair pin clip (B) and clevis pin (E) securing the cover (F). Disconnect the cable (see Figure 8). Remove the cover (F).
3. Remove and empty the bags (D).
4. Remove the catcher frame from the frame spacers (C).

Installation

1. Mount the catcher frame on the frame spacers (C, Figure 11).
2. Install the bags (D).
3. Install the cover (F). Secure with the clevis pins (E) and hair pin clips (B).
4. Connect the cover cable (Figure 9).
5. Insert the tubes (A, Figure 11) into the catcher and connect to the turbo. Be sure the clip (G) is secured over the top of the turbo flange nut.

Installation with a Tiller

Setup



Attach

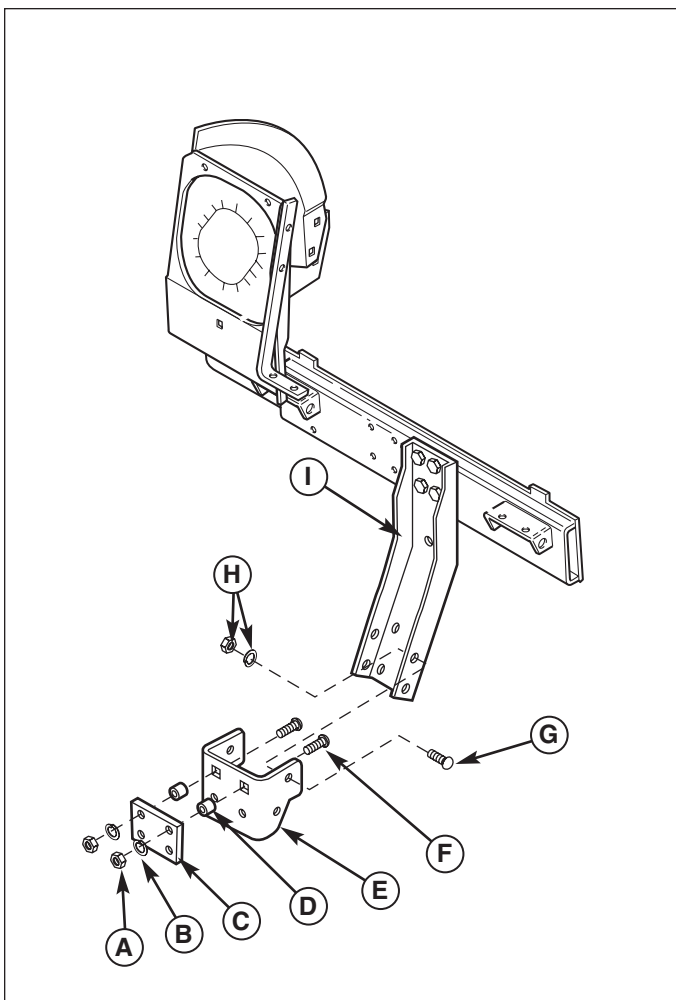


Figure 12. Initial Setup (Prestige Shown)

- | | |
|---------------------------------------|------------------------------------|
| A. Nuts, 5/16-18 | G. Carriage Bolts, 3/8-16 x 3/4 |
| B. Lockwashers, 5/16 | H. Nuts & Lockwashers, 3/8 |
| C. Plate | I. Upright Support |
| D. Spacers | |
| E. Lower Support | |
| F. Carriage Bolts, 5/16-18 x 1-1/4 | |

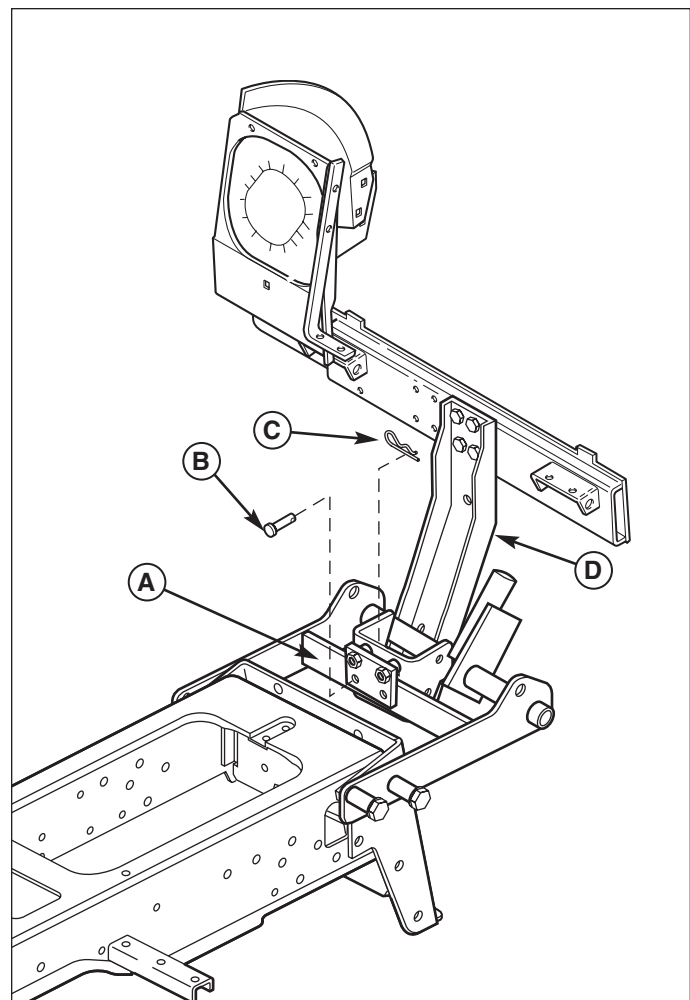


Figure 13. Installation (Prestige Shown)

- | | |
|-----------------|---------------------|
| A. Tiller Hitch | C. Hair Pin Clip |
| B. Clevis Pin | D. Support Assembly |

INSTALLATION WITH A TILLER

Initial Setup

Note: Use the short upright bracket (refer to Figure 4).

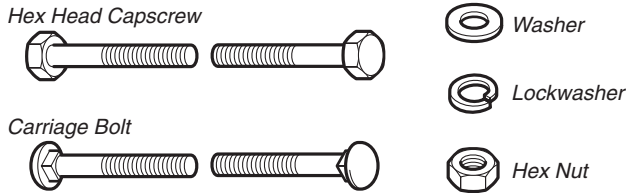
1. Assemble the lower support (E, Figure 12), spacers (D), and plate (C) as shown.
2. Bolt the lower plate assembly (E) to the upright support (I) using four 3/8-16 x 3/4 carriage bolts (G), lockwashers, and 3/8-16 nuts (H).

Installation & Removal

1. Rest the support assembly (D, Figure 13) on the tiller hitch (A) cross-bar.
2. Secure the catcher to the tiller hitch using two clevis pins (B) and hair pin clips (C).
3. See "Normal Removal & Installation" for remaining procedures.

Hardware Identification & Torque Specifications

Common Hardware Types

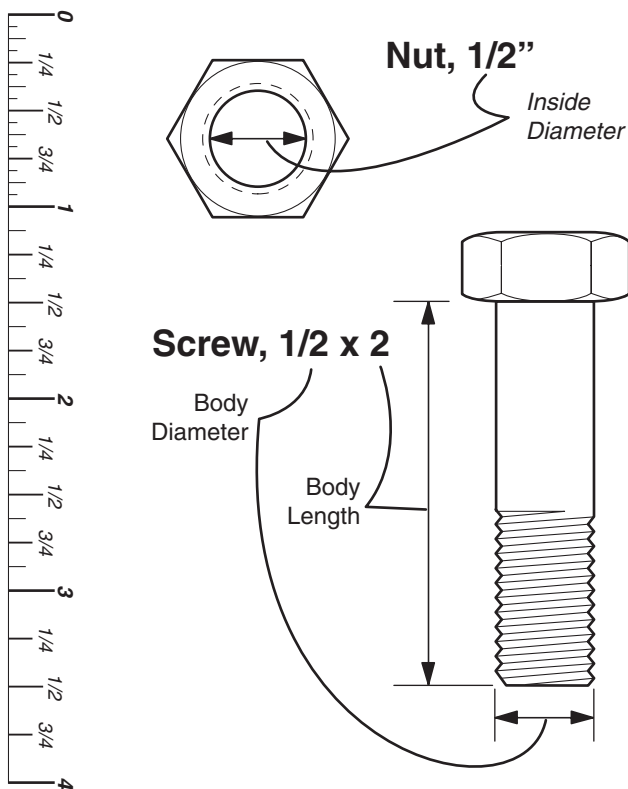


Standard Hardware Sizing

When a washer or nut is identified as **1/2"**, this is the *Nominal size*, meaning the *inside diameter* is 1/2 inch; if a second number is present it represents the *threads per inch*

When bolt or capscrew is identified as **1/2 - 16 x 2"**, this means the *Nominal size*, or *body diameter* is 1/2 inch; the second number represents the *threads per inch* (16 in this example, and the final number is the *body length* of the bolt or screw (in this example 2 inches long).

The guides and ruler furnished below are designed to help you select the appropriate hardware and tools.

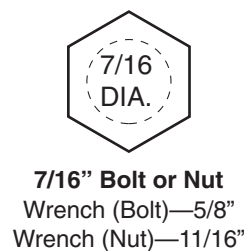
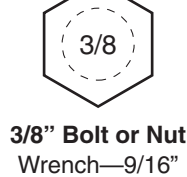
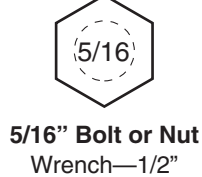
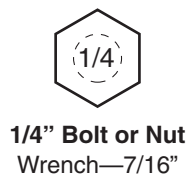


| Torque Specification Chart | | | | | | |
|-------------------------------------------------|------------------|-------|------------------|-------|------------------|---------|
| FOR STANDARD MACHINE HARDWARE (Tolerance ± 20%) | | | | | | |
| Hardware Grade | No Marks | | SAE Grade 5 | | SAE Grade 8 | |
| | SAE Grade 2 | | SAE Grade 5 | | SAE Grade 8 | |
| Size Of Hardware | in/lbs ft/lbs | Nm. | in/lbs ft/lbs | Nm. | in/lbs ft/lbs | Nm. |
| 8-32 | 19 | 2.1 | 30 | 3.4 | 41 | 4.6 |
| 8-36 | 20 | 2.3 | 31 | 3.5 | 43 | 4.9 |
| 10-24 | 27 | 3.1 | 43 | 4.9 | 60 | 6.8 |
| 10-32 | 31 | 3.5 | 49 | 5.5 | 68 | 7.7 |
| 1/4-20 | 66 | 7.6 | 8 | 10.9 | 12 | 16.3 |
| 1/4-28 | 76 | 8.6 | 10 | 13.6 | 14 | 19.0 |
| 5/16-18 | 11 | 15.0 | 17 | 23.1 | 25 | 34.0 |
| 5/16-24 | 12 | 16.3 | 19 | 25.8 | 27 | 34.0 |
| 3/8-16 | 20 | 27.2 | 30 | 40.8 | 45 | 61.2 |
| 3/8-24 | 23 | 31.3 | 35 | 47.6 | 50 | 68.0 |
| 7/16-14 | 30 | 40.8 | 50 | 68.0 | 70 | 95.2 |
| 7/16-20 | 35 | 47.6 | 55 | 74.8 | 80 | 108.8 |
| 1/2-13 | 50 | 68.0 | 75 | 102.0 | 110 | 149.6 |
| 1/2-20 | 55 | 74.8 | 90 | 122.4 | 120 | 163.2 |
| 9/16-12 | 65 | 88.4 | 110 | 149.6 | 150 | 204.0 |
| 9/16-18 | 75 | 102.0 | 120 | 163.2 | 170 | 231.2 |
| 5/8-11 | 90 | 122.4 | 150 | 204.0 | 220 | 299.2 |
| 5/8-18 | 100 | 136 | 180 | 244.8 | 240 | 326.4 |
| 3/4-10 | 160 | 217.6 | 260 | 353.6 | 386 | 525.0 |
| 3/4-16 | 180 | 244.8 | 300 | 408.0 | 420 | 571.2 |
| 7/8-9 | 140 | 190.4 | 400 | 544.0 | 600 | 816.0 |
| 7/8-14 | 155 | 210.8 | 440 | 598.4 | 660 | 897.6 |
| 1-8 | 220 | 299.2 | 580 | 788.8 | 900 | 1,244.0 |
| 1-12 | 240 | 326.4 | 640 | 870.4 | 1,000 | 1,360.0 |

NOTES

- These torque values are to be used for all hardware excluding: locknuts, self-tapping screws, thread forming screws, sheet metal screws and socket head setscrews.
- Recommended seating torque values for locknuts:
 - for prevailing torque locknuts - use 65% of grade 5 torques.
 - for flange whizlock nuts and screws - use 135% of grade 5 torques.
- Unless otherwise noted on assembly drawings, all torque values must meet this specification.

Wrench & Fastener Size Guide





Simplicity

MANUFACTURING, INC.
500 N Spring Street / PO Box 997
Port Washington, WI 53074-0997

www.simplicitymfg.com

© Copyright 2005 Simplicity Manufacturing, Inc.
All Rights Reserved. Printed in USA.

Free Manuals Download Website

<http://myh66.com>

<http://usermanuals.us>

<http://www.somanuals.com>

<http://www.4manuals.cc>

<http://www.manual-lib.com>

<http://www.404manual.com>

<http://www.luxmanual.com>

<http://aubethermostatmanual.com>

Golf course search by state

<http://golfingnear.com>

Email search by domain

<http://emailbydomain.com>

Auto manuals search

<http://auto.somanuals.com>

TV manuals search

<http://tv.somanuals.com>