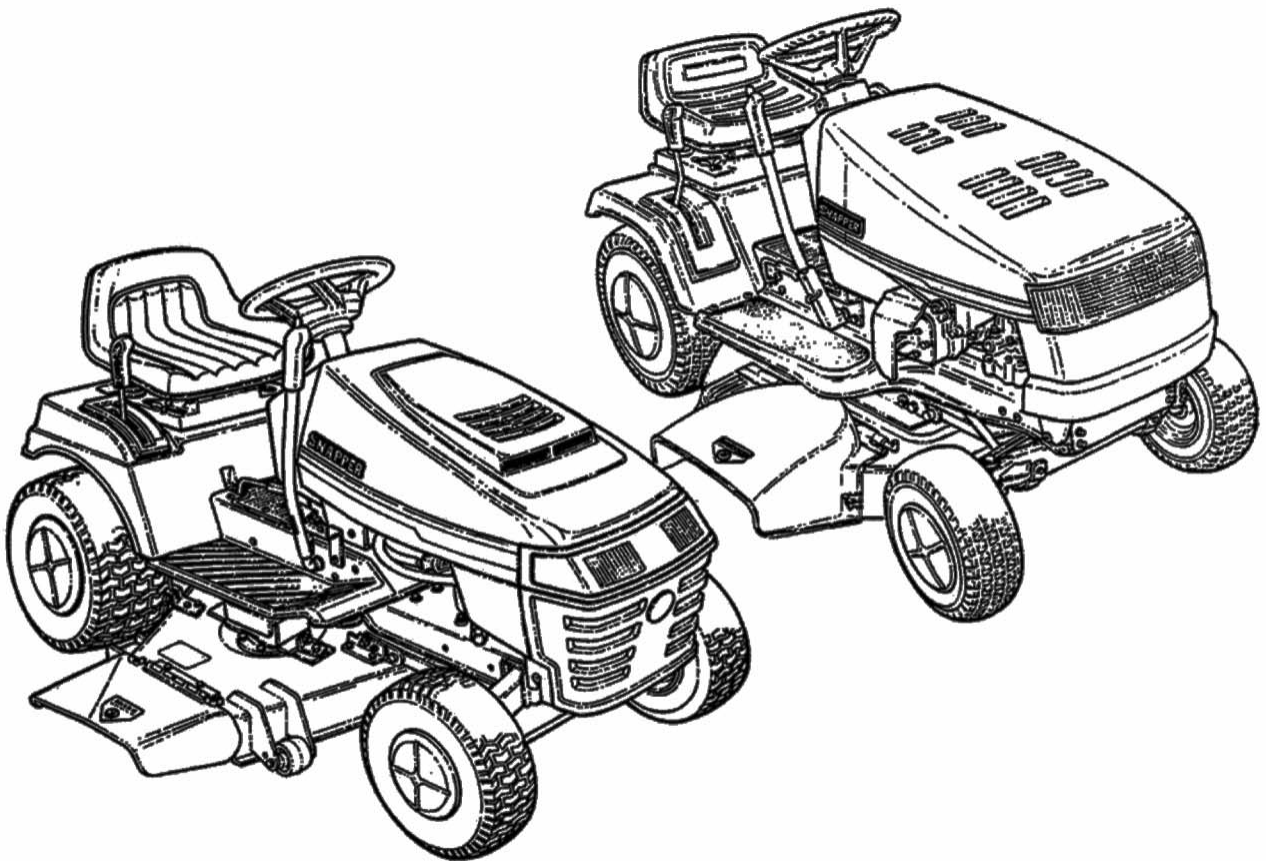


Parts Manual for
SNAPPER[®]
LAWN TRACTOR ACCESSORIES

**FOR ALL SMALL FRAME LAWN TRACTORS
WITH DISC, GEAR & HYDRO DRIVE
SERIES 0, 1, 2 & SERIES A, B, C, D, E, F, G, H, I**



SNAPPER[®] McDonough, GA., 30253 U.S.A.

COPYRIGHT © 2003
SNAPPER PRODUCTS INC.
ALL RIGHTS RESERVED

(Rev. 1, 1/24/03)

MANUAL No. 06613

CONTENTS

LAWN TRACTOR MODEL IDENTIFICATION

Positive identification of the machine will be necessary. Identify the machine with the model number to insure the correct kit is used for that model. The series number or letter of the model number is used in this manual to match the correct kit with the correct model. Refer to Owner's Manual for correct Series number. The series number for all disc, gear and hydro drive two piece frame models is 0, 1, 2. The series number for all gear and hydro drive one piece frame models is A thru I. The Series number examples are as follows:

Lawn Tractor (Disc Drive Two Piece Frame) Example: LT12D330B - Series number is 0.

Lawn Tractor (Disc Drive Two Piece Frame) Example: LT115D411KV - Series number is 1.

Lawn Tractor (Gear Drive Two Piece Frame) Example: LT115G411KV - Series number is 1.

Lawn Tractor (Hydro Drive Two Piece Frame) Example: LT140H412KV - Series number is 2.

Lawn Tractor (Hydro Drive One Piece Frame) Example: LT160H42ABV - Series letter is A.

Lawn Tractor (Gear Drive One Piece Frame) Example: LT120G38AB - Series letter is A.

Lawn Tractor (Gear Drive One Piece Frame) Example: BH120G38BB - Series letter is B.

KIT No.	DESCRIPTION	PAGE
6-0609	Tire Chain (For 18" X 6.50" Tire).....	4
6-1085	Tire Chain (For 18" X 8.50" Tire).....	4
6-1399	Tire Chain (For 18" X 9.5" Tire).....	4
6-1333	Tire Chain (For 20" X 10" Tire).....	4
6-1245	Rear Weight	4 & 5
6-0870	Thatcherizer (LT12D Series)	6 & 7
6-1247	Thatcherizer (1 Piece Frame Models)	8 & 9
6-0737	Anti-Scalp Wheel (33" Deck)	10
6-0794	Anti-Scalp Wheel (41" Deck)	10
6-1400	Anti-Scalp Wheel (33" Deck)	11
6-3128	Anti-Scalp Wheel (48" Deck)	11
6-0943	33" Single Bag Grass Catcher	12 & 13
6-1312	38" Single Bag Grass Catcher (For Hydro Drive Models)	14 & 15
6-1886	38" Single Bag Grass Catcher (Replaced 6-1249).....	16 & 17
6-0944	41 & 42" Single Bag Grass Catcher	18 & 19
6-3289	Debris Shield Kit, (For All Single Bag Catchers).....	14 & 15, 16 & 17, 19
6-3281	33" Twin Bag Grass Catcher (6-1334 Adapter Kit Required)	20 & 21
6-1248	38" Twin Bag Grass Catcher (6-1334 Adapter Kit Required).....	22 & 23
6-1888	38" Twin Bag Grass Catcher (6-1334 Adapter Kit Required).....	22 & 23
6-0945	41" Twin Bag Grass Catcher.....	24 & 25
6-3131	33" Clamshell Grass Catcher (6-1334 Adapter Kit Required).....	26 & 27
6-3126	38" Clamshell Grass Catcher (6-1334 Adapter Kit Required).....	28 & 29
6-1334	Grass Catcher Adapter (1 Piece Frame Models Series. A Thru D)	30
6-1068	Grass Catcher Adapter (Hydro and Gear Drive).....	31
6-1311	Grass Catcher Adapter (Hydro Drive; w/20-10.00 X 8 Tires).....	31
6-0860	Grass Catcher Adapter (LT12D Series).....	32

(continued on next page)

MANUAL No. 06613

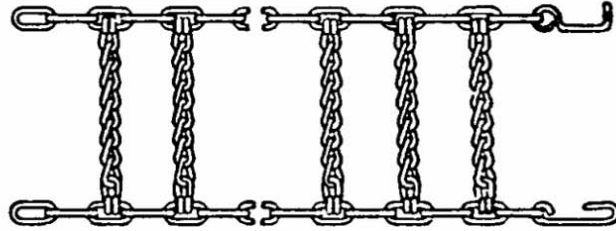
LT SERIES (Small Frame)

(continued)

KIT No.	DESCRIPTION	PAGE
6-1308	Bag-N-Wagon Adapter (Series "A" 1-Piece Frame)	33
6-0957	Bag-N-Wagon Adapter (LT12D Series).....	34
6-1089	Bag-N-Wagon Adapter (Hydro and Gear Drive).....	35
6-3123	Front Bumper Kit (1-Piece Frame Only)	36
6-3203	Water Bottle Kit	36
6-1320	Implement Lift Lever Kit (Ground Following Deck Units Only)	37
6-3240	Bearing Pre-Seal Kit (For 48" Field Replaceable Spindle Decks Only).....	37
6-0697	Dump Wagon	38 & 39
6-0947	Bag-N-Wagon (Complete).....	40 & 41
6-0734	Bag-N-Wagon (Hitch & Wagon Body).....	42 & 43
6-0964	Bag-N-Wagon (Cover Assembly).....	44 & 45
6-0873	36" Snow Blade (3-Piece Frame).....	46 & 47
6-1347	42" Snow Blade (3-Piece Frame, Series 1 & 2)	48 & 49
6-1352	42" Snow Blade (1-Piece Frame Hydro Only)	50 & 51
	(6-1370 Snow Blade Support Required For Mounting 6-1352 Kit)	
6-1370	Snow Blade Support Kit	52
6-1781	Snow Thrower Support Update Kit.....	52
6-0720	Lift Handle.....	53
6-1254	30" Recycling	54
6-1051	33" Recycling	55
6-1255	33" Recycling (Ninja Blade).....	56
6-1257	38" Recycling/Mulcher (Ninja Blade).....	57
6-1877	38" Recycling(Wave Blade)	58
6-1878	38" Recycling Kit (Ninja Blade).....	58
6-1220	41" Recycling Cover (Ninja Blade).....	59
6-1987	42" Recycling Cover (Ninja Blade).....	60
6-3110	48" Wave Mulching Kit	61
6-1094	Hood Replacement (Gear Drive Series 0).....	62 & 63
6-1383	Hood Replacement (1 & 3-Piece Frame)	64 & 65
3-2392	Smooth Clutch Tool	66
6-0327	Wheel Hub Puller Kit.....	66
6-0694	Yoke Spring Attachment.....	66
6-1000	Reverse Assist Spring (LT12D Series).....	66
6-1025	Brake Cable Extension	66
6-1163	Cold Starting (Hydro Drive Series)	66
6-0691	Chute Brace (Snow Thrower Attachment)	66
6-1289	30" Cutting Deck Replacement (Gear Drive)	66
6-1288	33" Cutting Deck Replacement (Gear Drive)	66
6-1290	38" Cutting Deck Replacement (Gear Drive)	66
6-1314	38" Cutting Deck Replacement (Hydro Drive).....	66
6-1299	38" Cutting Deck Replacement (Ground Following) (Gear Drive).....	66
6-1283	42" Cutting Deck Replacement (Gear Drive)	66
6-1266	48" Cutting Deck Replacement (Hydro Drive).....	66
6-1335	Pivot Arm Replacement Kit (LTD Series 0).....	66
6-1787	Drive Disc Alignment Gauge Kit	66
LT SERIES (Small Frame)		

MANUAL No. 06613

ACCESSORY, TIRE CHAINS



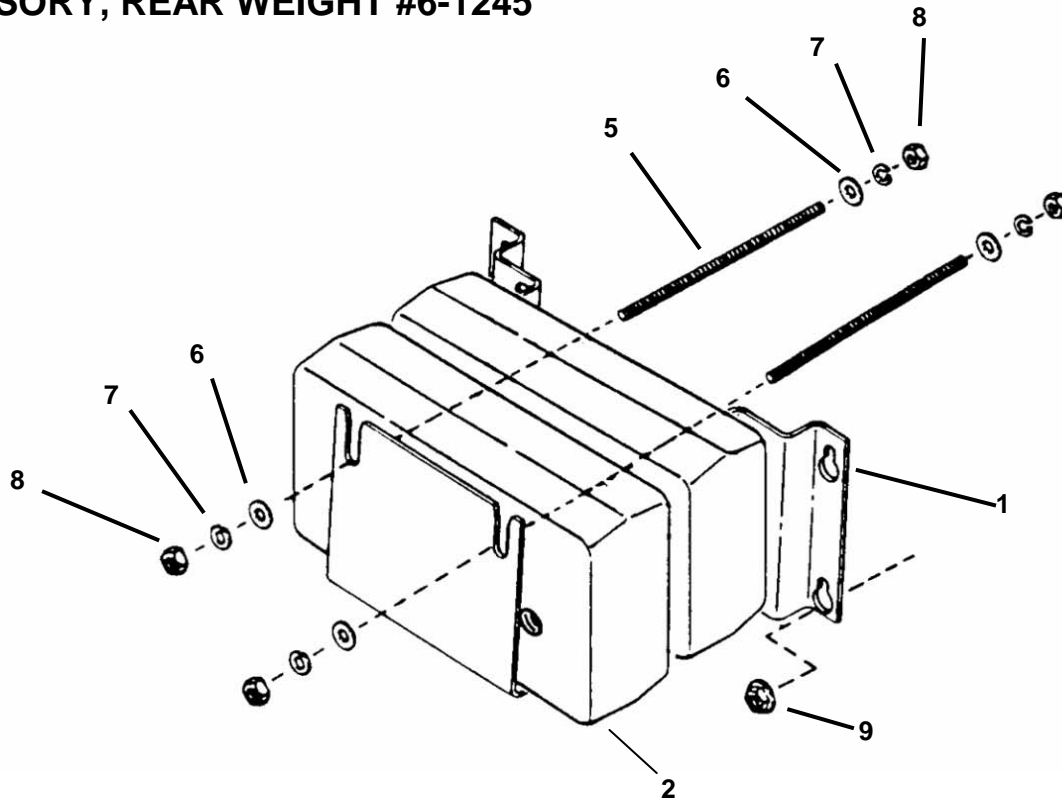
#6-0609 KIT, Tire Chains (18x6.50-8" Tires) (Contains 2 Chains)

#6-1085 KIT, Chain for LTD & LTH (18x8.50-8" RS Tires) (Contains 2 Chains)

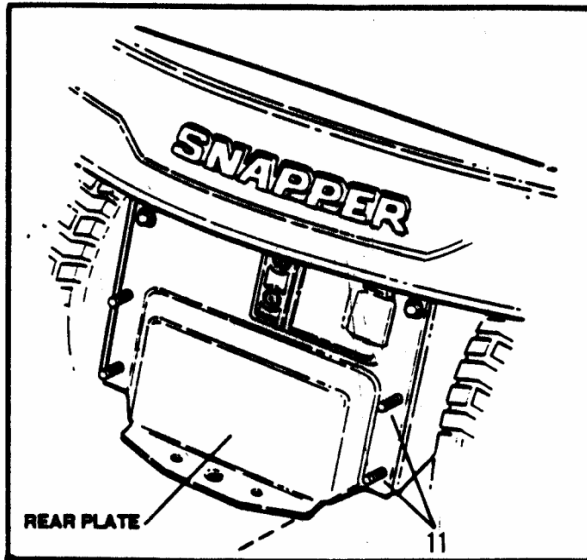
#6-1399 KIT, Tire Chains (18x9.50 Tires) (Contains 2 Chains)

#6-1333 KIT, Tire Chains (20x10.00 Tires) (Contains 2 Chains)

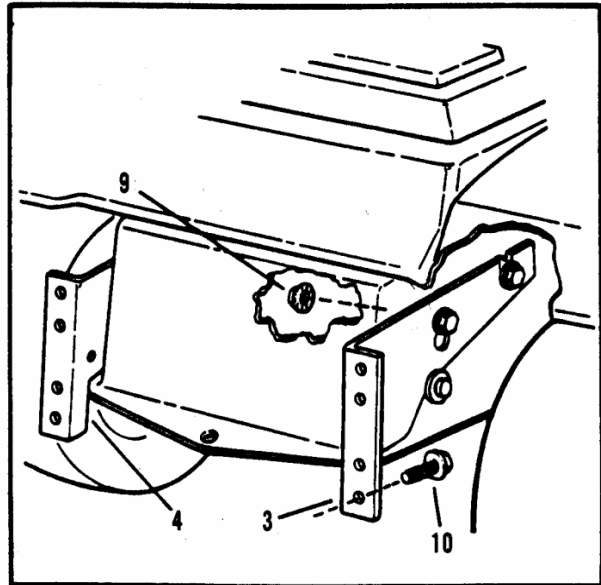
ACCESSORY, REAR WEIGHT #6-1245



6-1245 ACCESSORY, REAR WEIGHT



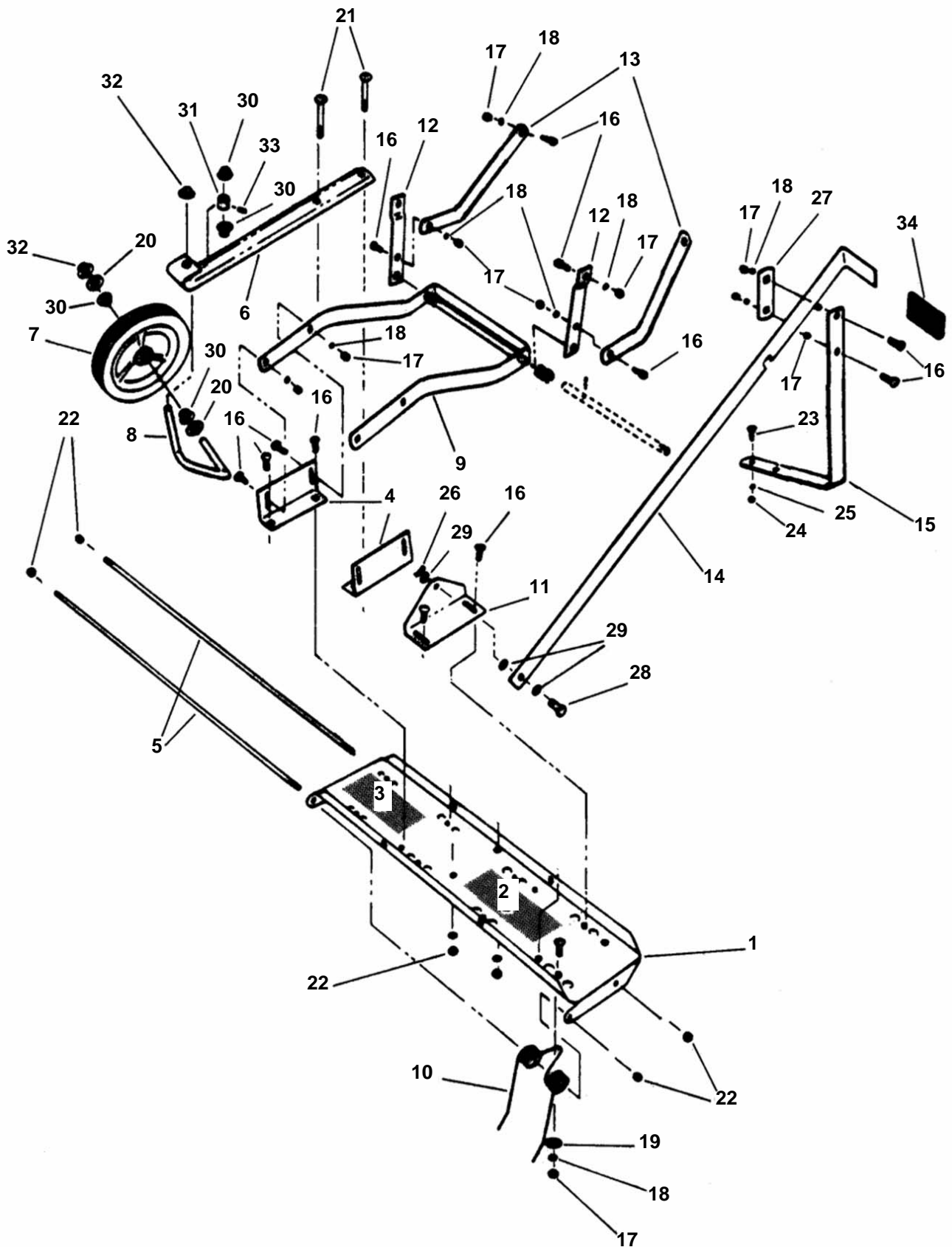
SERIES 1 & 2



SERIES A & B

ITEM	PART NO.	DESCRIPTION
--	6-1245	REAR WEIGHT KIT
1	3-4103	BRACKET, Weight Holder
2	1-9759	WEIGHT, 38 LB. (2)
3	3-4172	SUPPORT, Stand-Up Tube (R.H.)
4	3-4173	SUPPORT, Stand-Up Tube (L.H.)
5	1-5002	ROD, 3/8-16 x 9" Threaded (2)
6	9-1514	WASHER, 3/8 Flat (4)
7	9-1320	WASHER, 3/8 Split Lock (4)
8	9-1302	NUT, 3/8-16 Hex, Grade B or 5 (4)
9	9-1601	NUT, 5/16-18 Hex Flange Lock, Grade 5 (8)
10	9-1592	BOLT, 5/16-18 x 2", Hex Flange Lock, Grade 5 (4)
11	9-1591	BOLT, 5/16-18 x 1", Hex Flange Lock, Grade 5 (4)

ACCESSORY, THATCHERIZER (LT12D Series) 6-0870



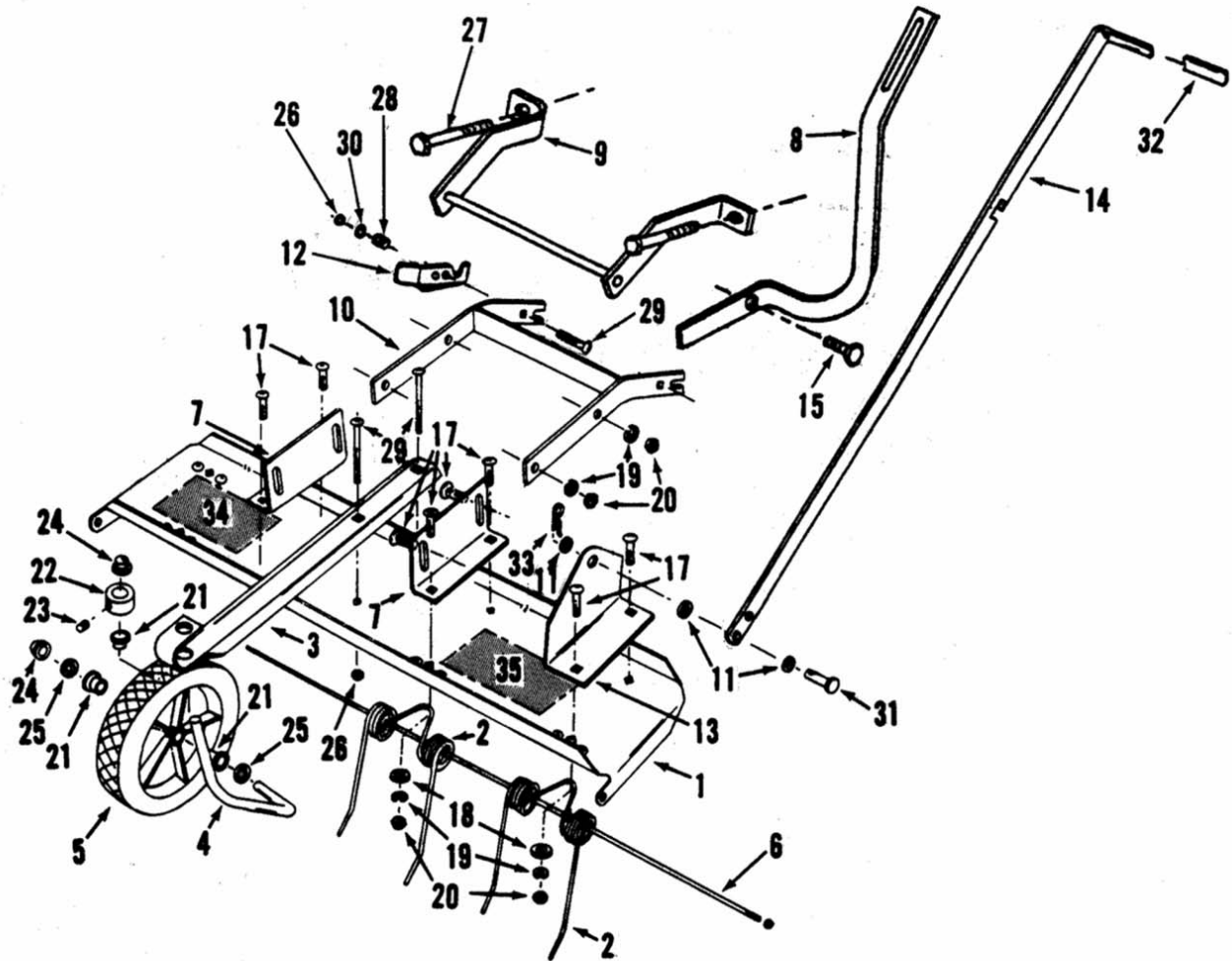
MANUAL No. 06613

LT SERIES (Small Frame)

6-0870 ACCESSORY, THATCHERIZER (LT12D Series)

ITEM	PART NO.	DESCRIPTION
--	6-0870	THATCHERIZER KIT
1	1-9947	TRAY, Tine
2	2-3565	DECAL, Adjustment
3	1-4062	DECAL, Thatcherizer
4	2-3564	BRACKET, Frame Mounting (2)
5	1-4110	ROD, Tine (2)
6	1-8700	SUPPORT, Wheel
7	1-8189	WHEEL, 7 x 1.50 V21
8	1-8493	AXLE, Wheel
9	1-7046	ASSEMBLY, Mounting Bracket Mechanism
10	1-8491	TINE, Thatching (8)
11	1-9150	BRACKET, Lift
12	2-3532	BAR, Thatcher Mount (2)
13	1-9135	BAR, Mount Brace (2)
14	1-9137	HANDLE, Lift
15	1-9136	BRACKET, Lift Lock
16	9-0383	BOLT, 5/16-18 x 1" Short Neck Carriage, Grade 5 (22)
17	9-0196	NUT, 5/16-18 Hex (24)
18	9-0187	WASHER, 5/16" Split Lock (22)
19	1-4098	WASHER, 5/16" Flat (8)
20	9-0250	WASHER, 1/2" SAE Flat (2)
21	9-0015	BOLT, 1/4-20 x 1-3/4" Square Neck Carriage, Grade 2 (2)
22	9-0761	NUT, 1/4-20 Hex Top Lock (6)
23	9-0563	SCREW, 3/8-16 x 1" Hex Head Cap, Grade 5
24	9-0130	NUT, 3/8-16 Hex
25	9-0118	WASHER, 3/8 Split Lock
26	1-3113	PIN, Hair
27	1-4780	STRAP, Handle Retaining
28	1-4779	PIN, Clevis
29	9-0692	WASHER, 5/16" Flat (3)
30	1-4342	BEARING, Nylon (4)
31	1-4100	BUSHING, Wheel Adjustment
32	1-4101	NUT, 1/2" Push (2)
33	1-4103	SCREW, 5/16-18 x 1/4" Set
34	1-4784	GRIP, Vinyl

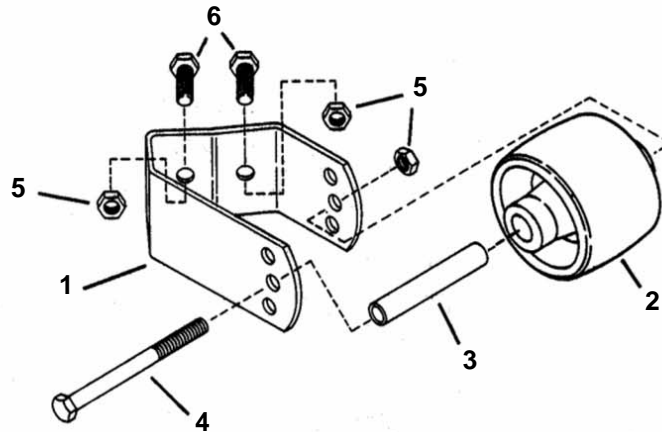
**ACCESSORY, THATCHERIZER 6-1247
(for 1-Piece Frame Tractors)**



6-1247 ACCESSORY, THATCHERIZER (for 1-Piece Frame Tractors)

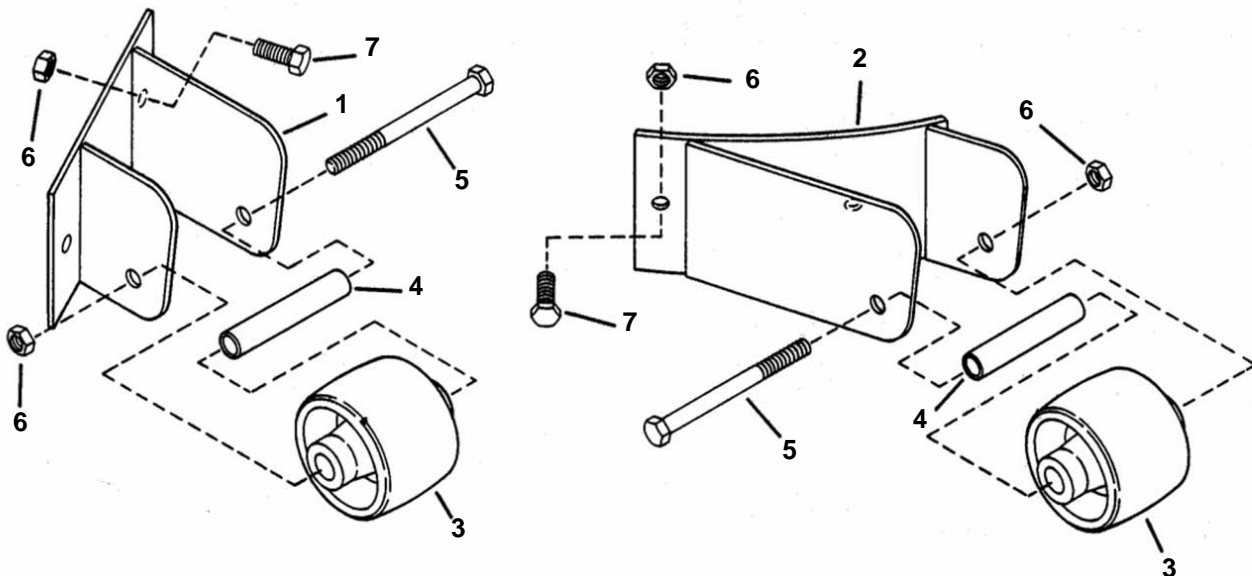
ITEM	PART NO.	DESCRIPTION
--	6-1247	KIT, Thatcherizer (Includes items 1 thru 35)
1	1-9947	TRAY, Tine
2	1-8491	TINE, Thatching (8)
3	1-8700	SUPPORT, Wheel
4	1-8493	AXLE
5	1-8189	WHEEL, Gauge
6	1-4110	ROD, Tine (2)
7	1-4778	BRACKET, Frame Mounting (2)
8	3-4184	SUPPORT, Lift Handle
9	4-1609	WELDMENT, Hitch Bar
10	1-4781	ASSEMBLY, Main Frame Weldment
11	9-0692	WASHER, 5/16 SAE Flat (3)
12	1-4113	LATCH, Frame Mount (2)
13	1-8666	BRACKET, Lift
14	3-4183	HANDLE, Lift
15	2-7168	SCREW, 5/16-18 x 1" Hex Head Cap, Grade 5
16	9-0798	BOLT, 1/4-20 x 2-1/2" Square Neck Carriage (2)
17	9-0383	BOLT, 5/16-18 x 1" Square Neck Carriage, Grade 5 (15)
18	1-4098	WASHER, Reinforcing (9)
19	9-0187	WASHER, 5/16" Split Lock (15)
20	9-0196	NUT, 5/16-18 Hex, Grade 5 (15)
21	1-4342	BEARING, Nyliner (4)
22	1-4100	BUSHING, Wheel Adjustment
23	1-4103	SCREW, 5/16-18 x 1/4" Set
24	1-4101	NUT, 1/2" Push (2)
25	9-0250	WASHER, 1/2" SAE Flat (2)
26	9-0761	NUT, 1/4-20 Hex Top Lock (8)
27	9-0831	SCREW, 5/16-18 x 2-1/2" Hex Head Cap, Grade 5 (2)
28	1-4114	SPRING, Compression (2)
29	9-0078	BOLT, 1/4-20 x 1-1/4" Square Neck Carriage, Grade 5 (2)
30	9-0598	WASHER, 1/4" SAE Flat (2)
31	1-4779	PIN, 5/16" Lift
32	1-4784	GRIP, Handle
33	1-3113	COTTER, Hairpin
34	1-4062	DECAL, Thatcherizer
35	1-4785	DECAL, Adjustment

ACCESSORY, ANTI-SCALP 6-0737



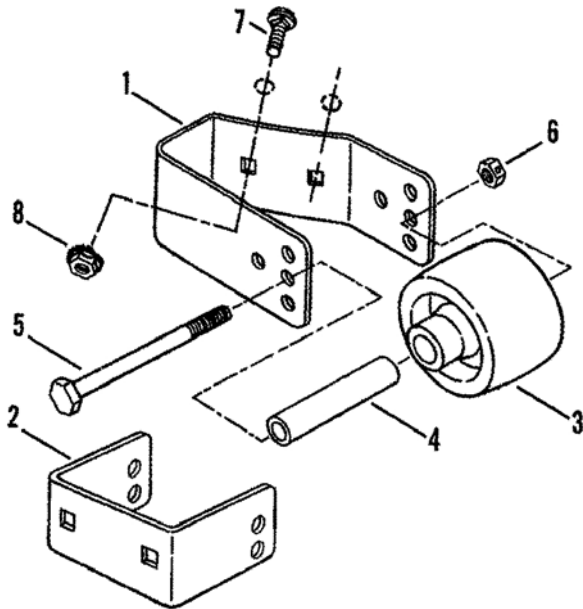
ITEM	PART NO.	DESCRIPTION
--	6-0737	KIT, Anti-Scalp Wheel (33" Decks) (Includes items 1 thru 6)
1	3-2478	BRACKET, Wheel (2)
2	1-9190	WHEEL (2)
3	1-5272	SPACER (2)
4	9-0859	SCREW, 3/8-24 x 3-3/4" Hex Head Cap, Grade 5 (2)
5	9-0289	NUT, 3/8-24 Hex Center Lock (6)
6	9-0292	SCREW, 3/8-24 x 3/4" Hex Head Cap, Grade 2 (4)

ACCESSORY, ANTI-SCALP 6-0794



ITEM	PART NO.	DESCRIPTION
--	6-0794	KIT, Anti-Scalp Wheel (41" Decks) (Includes items 1 thru 7)
1	4-7913	BRACKET, R.H.
2	4-7914	BRACKET, L.H.
3	1-9190	WHEEL (2)
4	1-5272	SPACER
5	9-0859	SCREW, 3/8-24 x 3-3/4" Hex Head Cap, Grade 5 (2)
6	9-0289	NUT, 3/8-24 Hex Lock Center Lock (6)
7	9-0292	SCREW, 3/8-24 x 3/4" Hex Head Cap, Grade 2 (4)

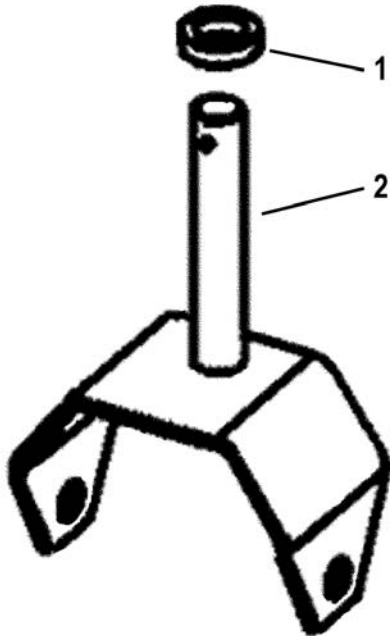
6-1400 ACCESSORY, ANTI-SCALP



KIT No. 6-1400 COMPONENTS

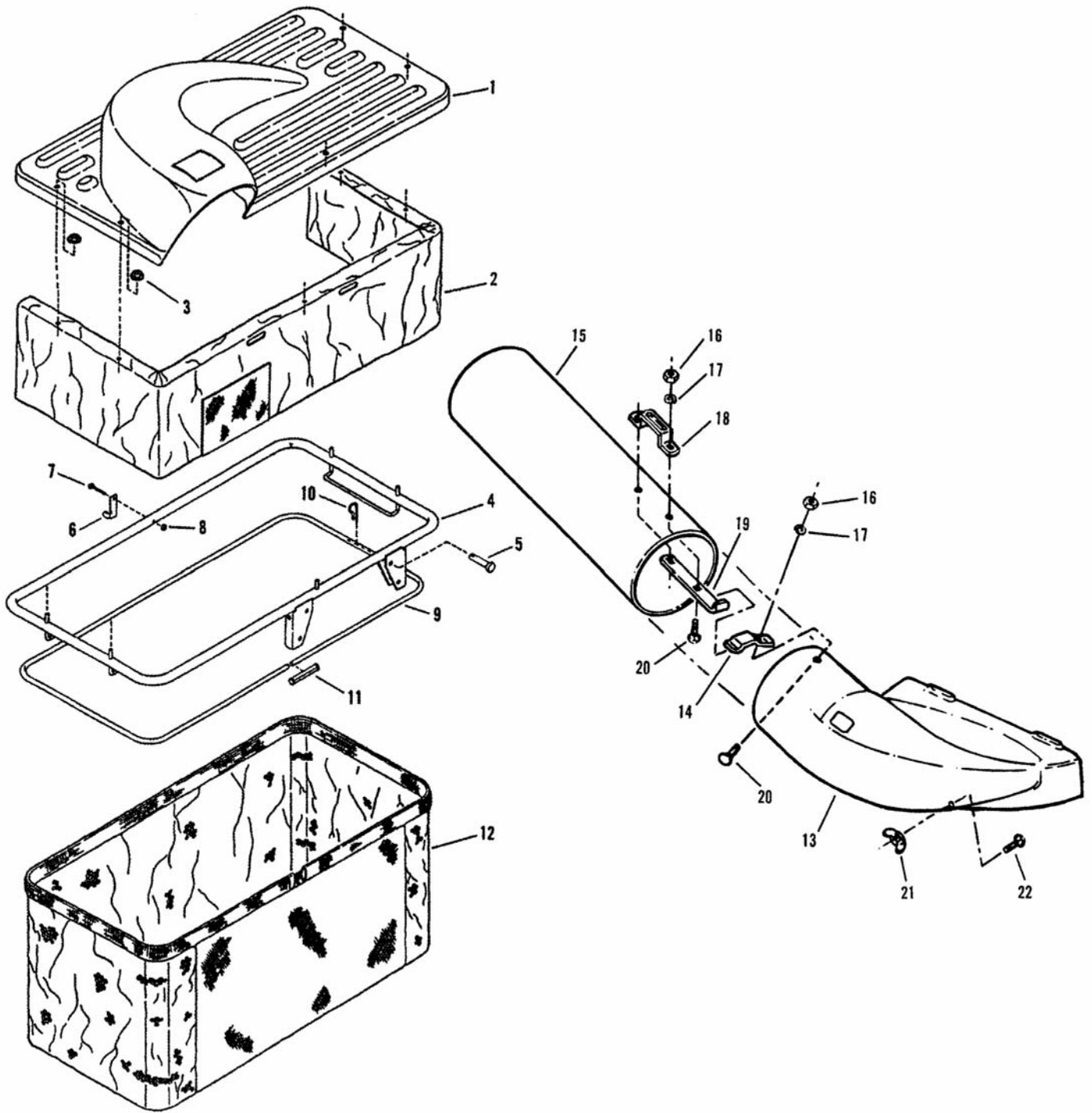
ITEM	PART NO.	DESCRIPTION
1	3-3571	BRACKET, Anti-Scalp (Rear) (2)
2	3-3570	BRACKET, Anti-Scalp (Front)
3	1-9190	WHEEL, Gage (3)
4	1-5272	SPACER, Gage Wheel (3)
5	9-0859	SCREW, 3/8-24 x 3 3/4" Hex Head Cap (3)
6	9-0289	NUT, 3/8-24 Hex Center Lock (3)
7	9-0731	BOLT, 5/16-18 x 1/2" Short Neck Carriage (6)
8	9-0585	NUT, 5/16-18 Hex Flange Lock (6)

6-3128 ACCESSORY, ANTI-SCALP



ITEM	PART NO.	DESCRIPTION
--	6-3128	ANTI-SCALP KIT, 48" Deck
1	7-6438	SPACER (10)
2	5-8624	WELDMENT, Wheel 48" HOZ (2)

ACCESSORY, 33" SINGLE BAG GRASS CATCHER 6-0943



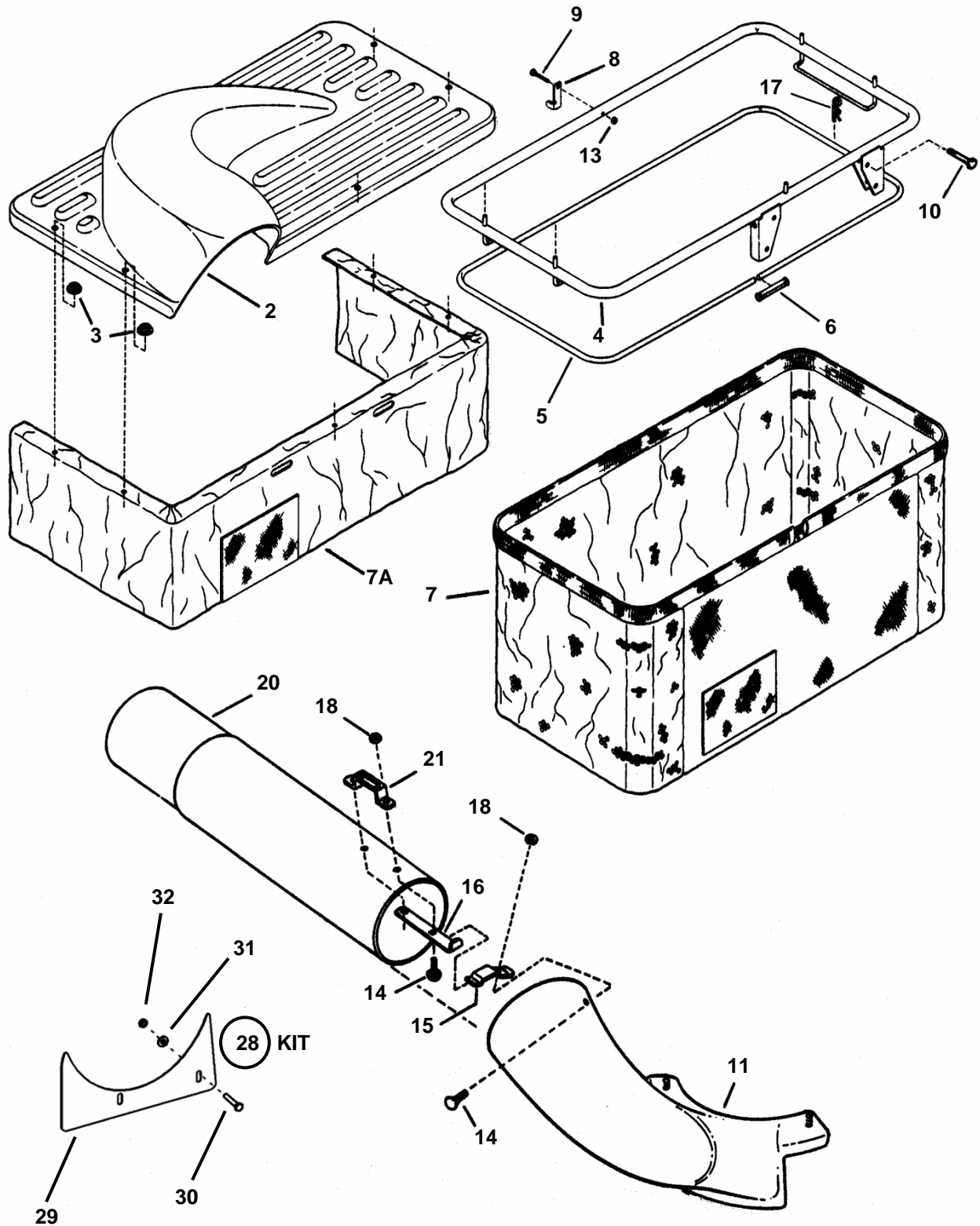
MANUAL No. 06613

LT SERIES (Small Frame)

6-0943 ACCESSORY, 33" SINGLE BAG GRASS CATCHER

ITEM	PART NO.	DESCRIPTION
1	5-1948	TOP, Container
2	1-6108	SKIRT, Dust
3	2-9840	WASHER, Faceted (5)
4	4-7973	FRAME, Grass Bag
5	2-9841	CLEVIS PIN, 5/16 x 1-11/16 (2)
6	3-1725	LATCH, Grass Catcher
7	9-0532	SCREW, 10-32 x 1-11/16 Hex Cap
8	9-0376	NUT, 10-32 Hex Lock w/Nylon Insert
9	3-7758	ROD, Bag
10	9-1503	PIN, 3/32 x 1-1/2 Hair (2)
11	1-2556	CONNECTOR, 1/2 x 3" Rod
12	1-9251	BAG, Single Zipperless
13	1-9912	ADAPTER, Bag
14	3-1951	LATCH, Tube
15	1-4517	TUBE, Grass
16	9-1576	NUT, 1/4-20 Hex (3)
17	9-1314	WASHER, 1/4 Lock (3)
18	3-7745	HANDLE, Tube
19	3-1952	BASE, Handle
20	9-1530	BOLT, 1/4-20 X 3/4" (3)
21	9-1537	WING-NUT, 5/16-18 Lock
22	9-1303	BOLT, 5/16-18 X 1" Carriage
--	7-1677	SHIELD, Muffler (Shown on Page 1)
--	4-2716	BRACKET, Bumper Reinforcement (Shown on Page 1)

ACCESSORY, 38" SINGLE BAG GRASS CATCHER 6-1312 (for Hydro Drive Models)

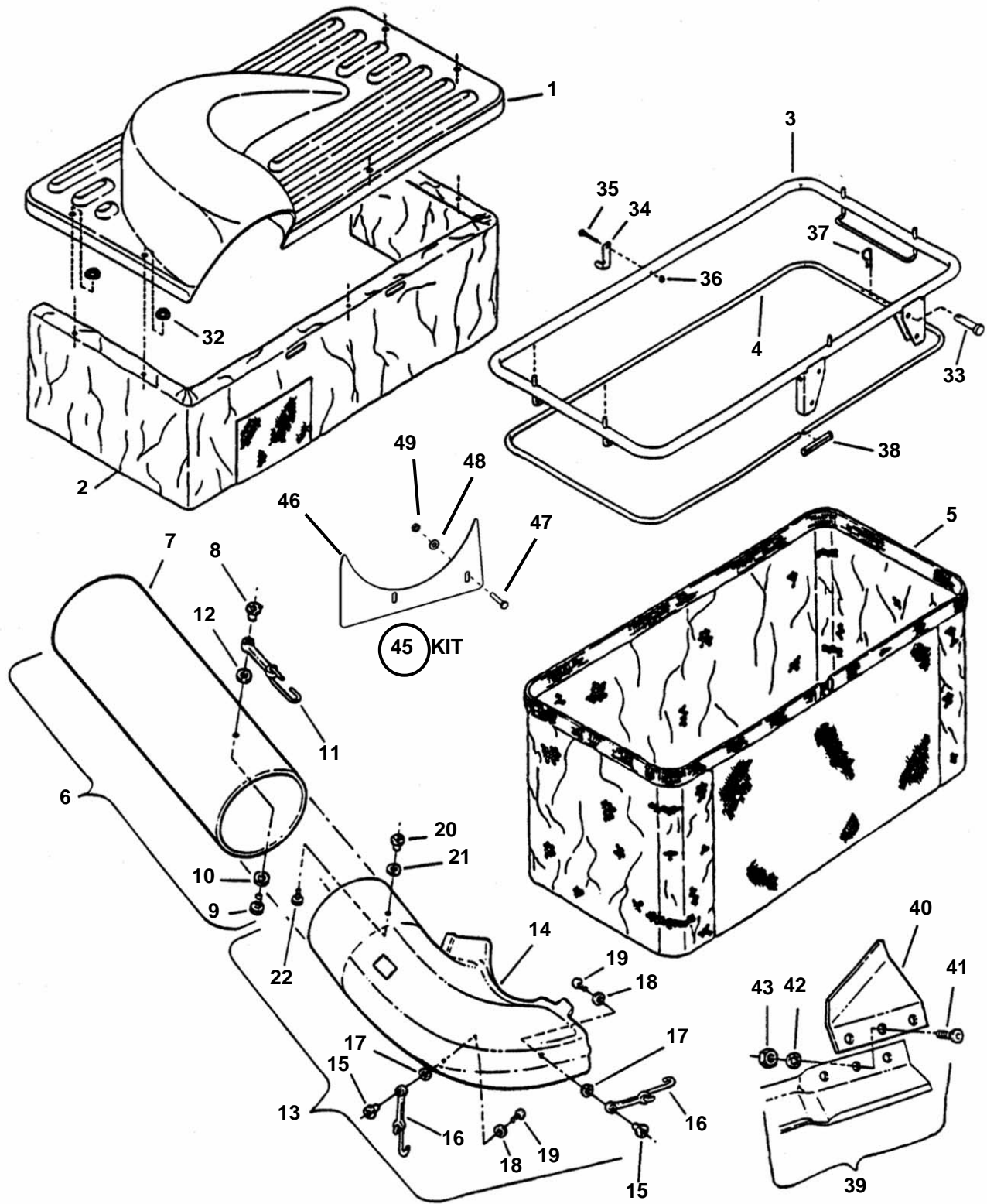


6-1312 ACCESSORY, 38" SINGLE BAG GRASS CATCHER (for Hydro Drive Models)

ITEM	PART NO.	DESCRIPTION
1	6-1312	KIT, Single Bag Grass Catcher (Incl. Items 2 thru 28)
2	5-1948	TOP, Container (Includes Decal No. 1-1910)
3	2-9840	WASHER, Faceted (5)
4	4-7973	FRAME, Structure
5	3-7758	ROD, Bag
6	1-2556	CONNECTOR, Bag Rod
7	1-9251	BAG, Grass
7A	1-6108	SKIRT, Dust
8	3-1725	LATCH, Top
9	9-0532	SCREW, #10-32 Hex Head Cap, Grade 2
10	2-9841	PIN, 5/16 x 1-11/16" Clevis
11	2-6814	ADAPTER, 38" Deck
12	3-3995	BAFFLE
13	9-0376	NUT, #10-32 Hex Nyloc
14	9-1530	BOLT, 1/4-20 x 3/4" Short Neck Carriage, Grade 5 (3)
15	3-1951	LATCH, Tube
16	3-1952	BASE, Handle
17	9-1503	PIN, 3/32 x 1-1/2" Hair
18	9-1576	NUT, 1/4-20 Hex, Grade 5 or B (3)
18A	9-1314	WASHER, 1/4" Internal Tooth Lock (3)
19	9-0824	SCREW, 3/8-24 x 1-1/4" Hex Head Cap, Grade 5 (Blade Retaining Screw- not shown)
20	2-7915	TUBE, Grass
21	3-7745	HANDLE, Tube
22	6-0480	KIT, Air Lift (Includes items 22 thru 26)
23	9-0223	NUT, 5/16-24 Hex (6)
24	9-0391	WASHER, 5/16 Internal Tooth Lock (6)
25	3-7723	AIR-LIFT (2)
26	9-0228	SCREW, 5/16-24 x 11/16" Oval Head Machine, Grade 5
27	9-1575	NUT, 5/16-18 Hex Center Lock (4)
28	6-3289	KIT, Catcher, Debris Shield (Incl. items 29-32)
29	6-3287	SHIELD, Debris
30	9-0909	BOLT, 1/4-20 x 1-1/2" Hex (2)
31	9-1294	WASHER, 1/4" Flat (2)
32	9-1705	NUT, 1/4-20 Hex top Lock (2)

NOTE: 6-1068 Catcher Adapter Kit must be installed before Grass catcher can be mounted.

**ACCESSORY, 38" SINGLE BAG GRASS CATCHER 6-1886
(Model Year 97; Replaced 6-1249)**

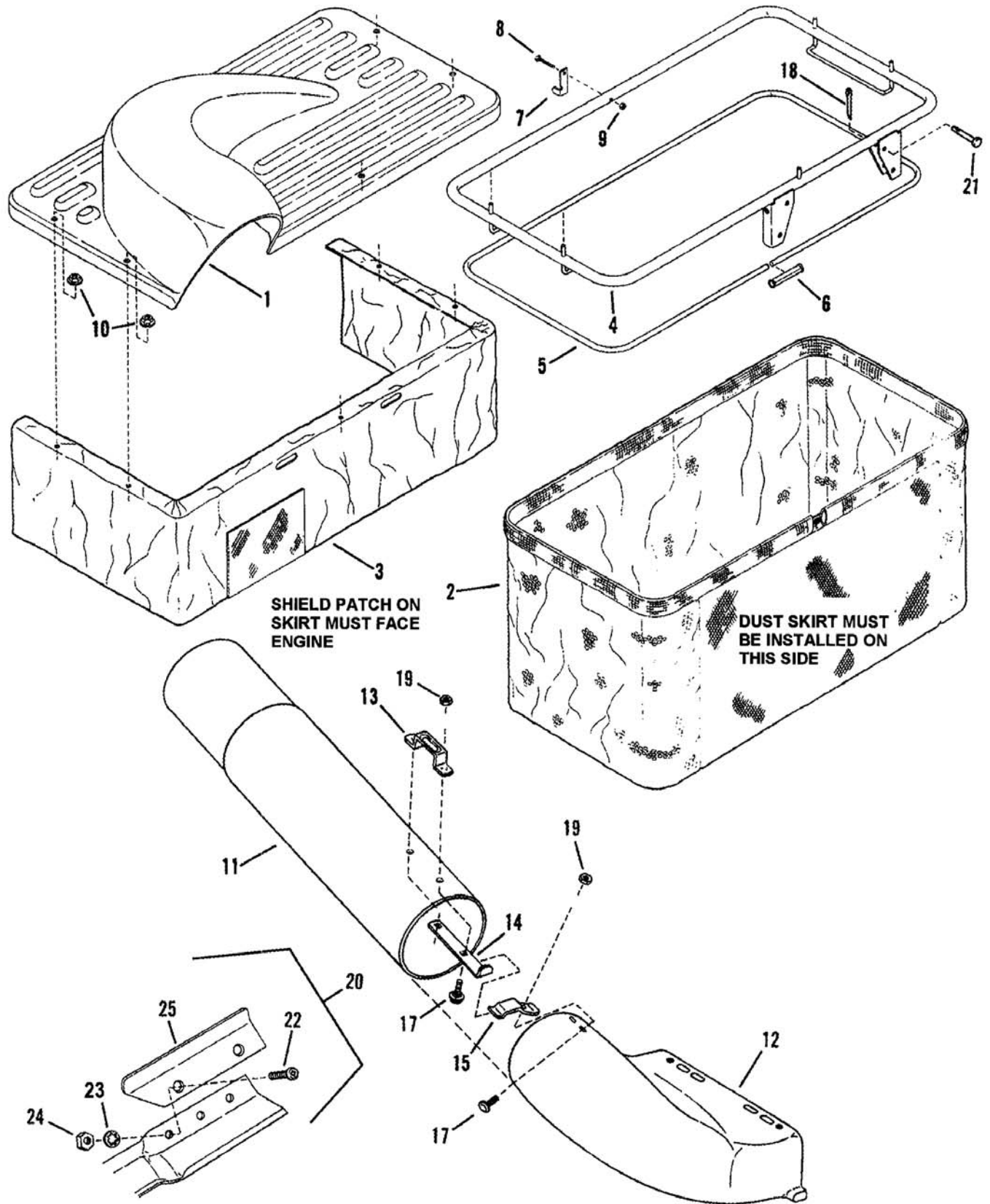


6-1886 ACCESSORY, 38" SINGLE BAG GRASS CATCHER (Model Year 97; Replaced 6-1249)

ITEM	PART NO.	DESCRIPTION
--	6-1886	KIT, Single Bag Grass Catcher (Incl. Items 1 thru 45)
1	5-1948	TOP, Container (Includes #1-1910 Decal)
2	1-6108	SKIRT, Dust
3	4-7973	FRAME
4	3-7758	ROD, Bag
5	1-9251	BAG, Grass Catcher
--	4-4726*	BAFFLE
6	5-4395	ASSEMBLY, Tube/Strap (Includes Indented Items)
7	3-9478	TUBE, Grass
8	3-6404	NUT, #10-24 Weld (3)
9	3-6415	SCREW, #10-24 x 5/8" Pan Head (3)
10	9-1552	WASHER, 7/32" Flat (2)
11	3-6433	ASSEMBLY, Strap Mounting (3)
12	3-6422	WASHER, 3/16" Flat (3)
13	5-4388	ASSEMBLY, Adapter/Strap (Includes Indented Items)
14	5-9469	ADAPTER
15	3-6404	NUT, #10-24 Weld (2)
16	3-6433	ASSEMBLY, Strap Mounting (2)
17	3-6422	WASHER, 3/16" Flat (2)
18	9-1552	WASHER, 7/32" Flat (2)
19	3-6415	SCREW, #10-24 x 5/8" Pan Head (2)
20	3-6543	NUT, 5/16-18 "T"
21	9-1296	WASHER, 11/32" Flat
22	9-1833	SCREW, 5/16-18 x 5/8" Pan Head
23	5-4514*	ASSEMBLY, Blade (Includes #4-4686 Decal)
24	6-1887	HARDWARE BAG (Includes Indented Items)
25	9-0492*	NUT, 5/16-18 Wing (2)
26	9-1303*	BOLT, 5/16-18 x 1" Short Neck Carriage, Grade 5 (2)
27	9-1575*	NUT, 5/16-18 Hex Center Lock, Grade B or 5 (2)
28	9-1318*	SCREW, 5/16-18 x 3/4" Hex Head Cap, Grade 5 (2)
29	3-6543*	NUT, 5/16-18 "T" (2)
30	9-1296*	WASHER, 11/32" Flat (7)
31	9-1833*	SCREW, 5/16-18 x 5/8" Pan Head (2)
32	2-9840	WASHER, Faceted (5)
33	2-9841	PIN, 5/16 x 1-11/16" Clevis (2)
34	3-1725	LATCH, Grass Catcher
35	9-0532	SCREW, #10-32 x 1-1/16" Hex Head Cap, Grade 2
36	9-0376	NUT, #10-32 Hex Top Lock
37	9-1503	PIN, 3/32 x 1-1/2 Hair (2)
38	1-2556	CONNECTOR, Bag Rod
39	6-0480	KIT, Air Lift (Includes Indented Items)
40	3-7723	LIFTS, Air (2)
41	9-0228	SCREW, 5/16-24 x 21/32" Machine (6)
42	9-0391	WASHER, 5/16" Internal Tooth Lock (6)
43	9-0223	NUT, 5/16-24 Hex (6)
44	9-1296*	WASHER, 11/32" Flat, Grade 5 (2)
45	6-3289	KIT, Catcher Debris Shield (Incl. items 46-49)
46	6-3287	SHIELD, Debris
47	9-0909	BOLT, 1/4-20 x 1-1/2" Hex (2)
48	9-1294	WASHER, 1/4" Flat (2)
49	9-1705	NUT, 1/4-20 Hex Top Lock (2)

*NOTE: For location, see Instruction Sheet #4-2686, included in 6-1886 Kit.
NOTE: 6-1334 Catcher Adapter Kit must be installed before Grass catcher can be mounted.

ACCESSORY, 42" SINGLE BAG GRASS CATCHER 6-0944

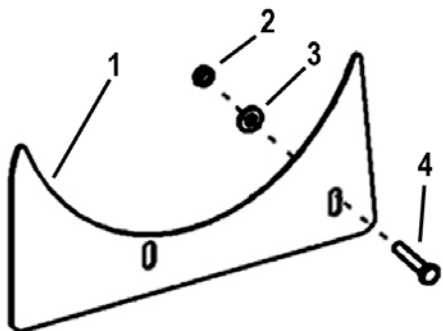


MANUAL No. 06613

LT SERIES (Small Frame)

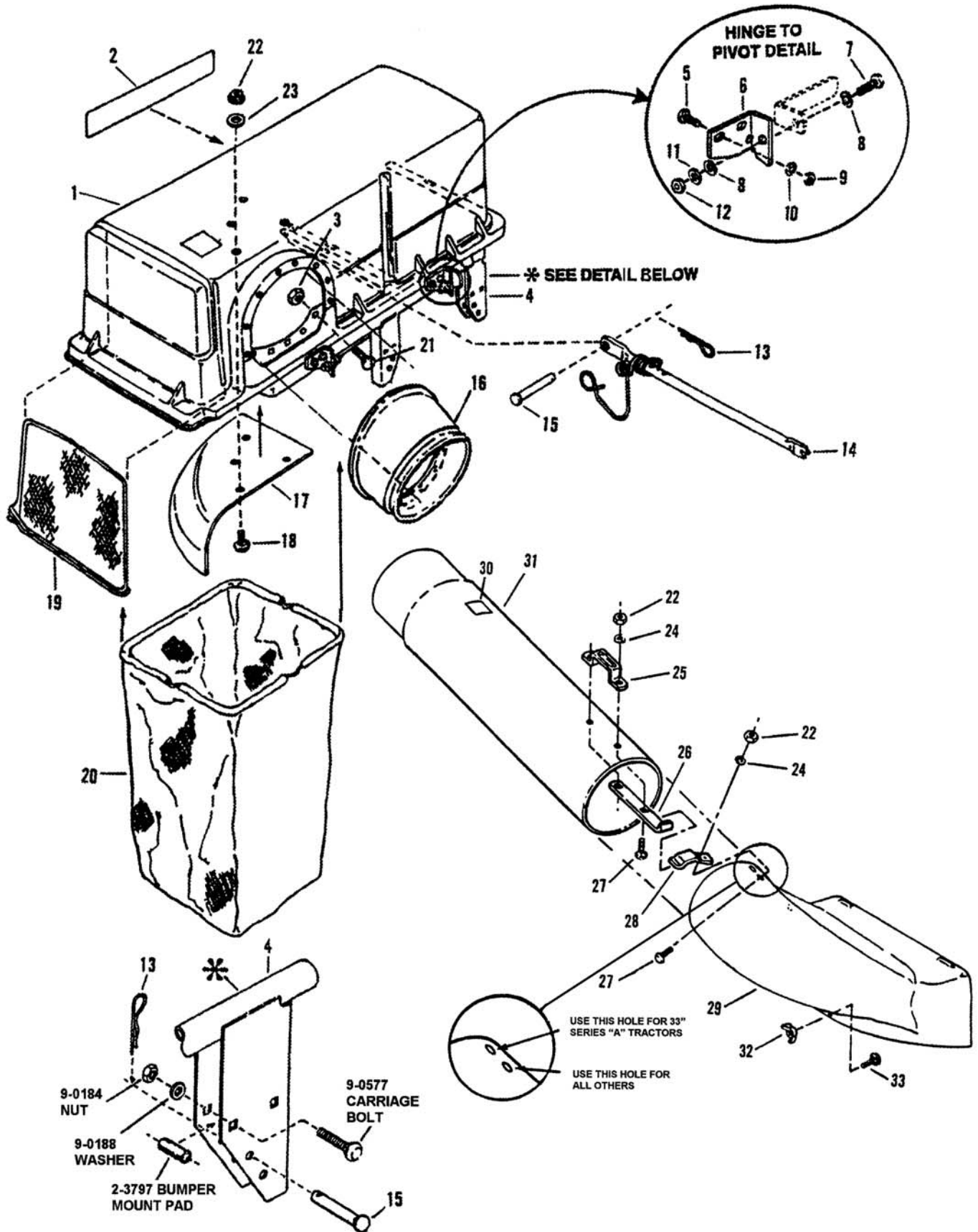
6-0944 ACCESSORY, 42" SINGLE BAG GRASS CATCHER

ITEM	PART NO.	DESCRIPTION
-	6-0944	KIT, Grass Catcher Single Bag (Includes 1 Thru 33)
1	5-1948	TOP, Container (Includes Decal #1-1910)
2	1-9251	BAG, Grass (Includes Item 3)
3	1-6108	SKIRT, Dust
4	4-7973	FRAME, Structure
5	3-7758	ROD, Bag (Includes Item 6)
6	1-2556	CONNECTOR, Bag Rod
7	3-1725	LATCH
8	9-0532	SCREW, #10-32 x 1-3/8" Hex Cap
9	9-0376	NUT, #10-32 Hex Lock
10	2-9840	WASHER, Faceted (5)
11	1-7316	TUBE, Grass
12	5-1663	ADAPTER, Deck (Includes Decal 4-6720)
13	3-7745	HANDLE, Tube
14	3-1952	BASE, Handle
15	3-1951	LATCH, Tube
16	7-1677	SHIELD, Muffler (See Figure 2)
17	9-0803	BOLT, 1/4-20 x 3/4" Carriage (3)
18	9-1503	PIN, 3/32 x 1-1/2" Hair (2)
19	9-1584	NUT, 1/4-20 Hex Lock (6)
20	6-0735	KIT, Air Lift (Includes Items 22 Thru 25) (See Figure 1)
21	2-9841	PIN, 5/16 x 1-11/16" Clevis (2)
22	9-0228	SCREW, 5/16-24 x 21/32" Cross Recess (6) (See Figure 1)
23	9-0391	WASHER, 5/16 Internal Tooth Lock (6) (See Figure 1)
24	9-0223	NUT, 5/16-24 Hex (6) (See Figure 1)
25	3-1724	LIFT, Air (2) (See Figure 1)
26	3-8277	BAFFLE (See Figure 3)
27	9-1613	SCREW, 5/16-18 x 3/4" Round Head (3) (See Figure 3)
28	9-1601	NUT, 5/16-18 Hex Lock (3) (See Figure 3)
29	9-1589	SCREW, 3/8-24 x 1-1/4" Hex Cap (Not Shown - Replacement Blade Bolt)
30	1-9795	BLADE, 21" Cutting (See Figure 1)
31	2-3797	PAD, Bumper Mount (2)
32	9-0577	BOLT, 5/16-18 x 1-1/2" Carriage (2)
33	9-1575	NUT, 5/16-18 Hex Center Lock (2)



ITEM	PART NO.	DESCRIPTION
--	6-3289	KIT, Single Bag Catcher Debris Shield
1	6-3287	SHIELD, Debris
2	9-1705	NUT, Hex Lock 1/4-20 (2)
3	9-1294	WASHER, 1/4" (2)
4	9-0909	BOLT, 1/4-20x1.5" (2)
*	NOTE: This kit may be used with all early Single Bag Catcher Kits.	

ACCESSORY, 33" TWIN BAG GRASS CATCHER 6-3281



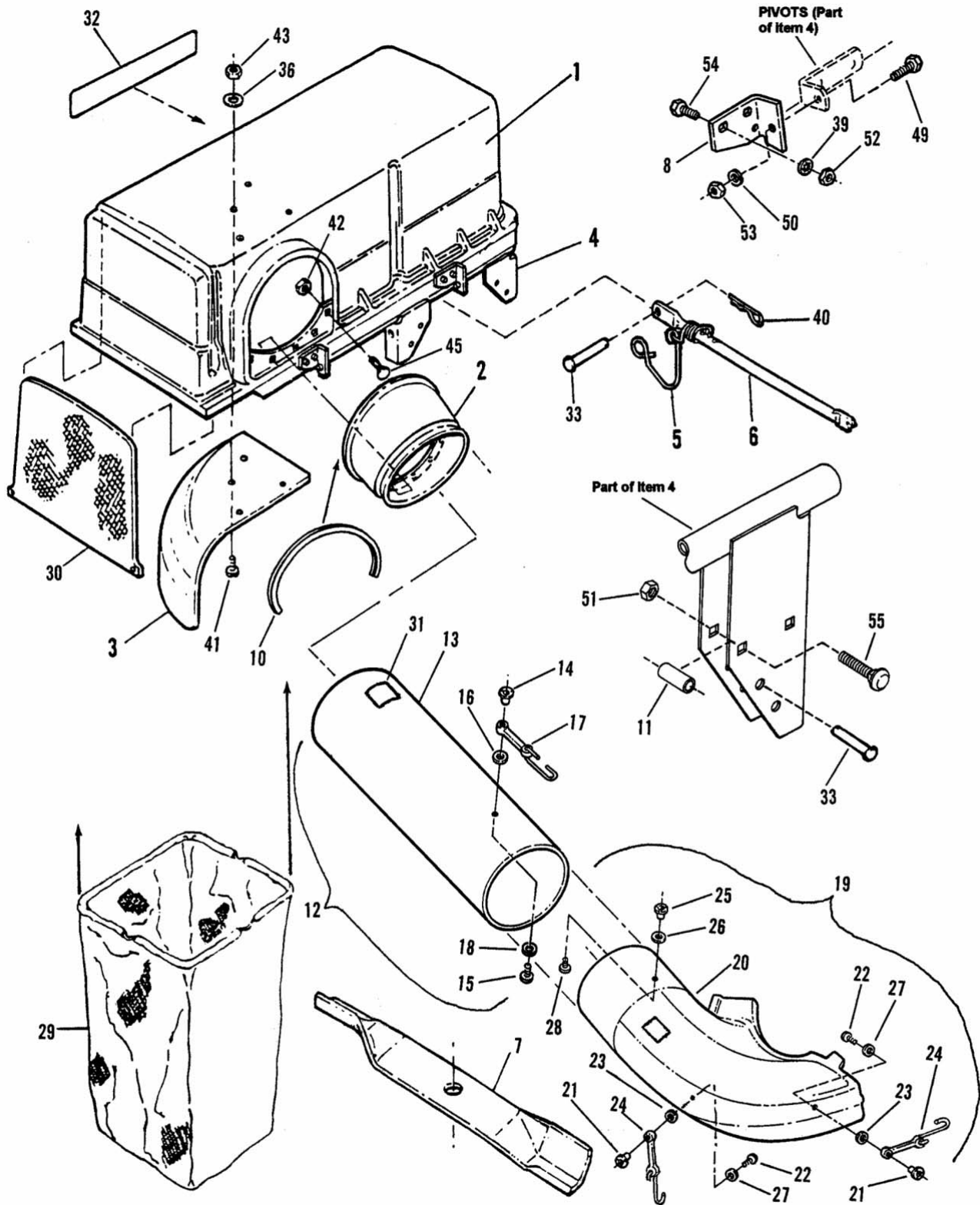
MANUAL No. 06613

LT SERIES (Small Frame)

6-3281 ACCESSORY, 33" TWIN BAG GRASS CATCHER

ITEM	PART NO.	DESCRIPTION
1	5-9626	COVER ASS'Y
2	1-9295	DECAL, Snapper (11-1/2" Long)
3	9-1545	NUT, 1/4-20 Flange Lock (5)
4	5-9951	FRAME STRUCTURE (includes indented items)
-	2-3797	PAD, Bumper Mount (2)
-	9-0188	WASHER, 5/16" Flat (2)
-	9-0184	LOCKNUT, 5/16-18 (2)
-	9-0577	BOLT, 5/16-18 x 1-1/2" Carriage (2)
5	9-1611	SCREW, 1/4-28 X 3/4" Hex Cap (4)
6	3-8087	HINGE, Top (2)
7	9-0238	SCREW, 5/16-24 x 1" Hex Cap (2)
8	9-1296	WASHER, 5/16 Flat (6)
9	9-1605	NUT, 1/4-28 Hex (4)
10	9-1314	WASHER, 1/4" Lock (8)
11	9-1315	WASHER, 5/16" Split Lock (2)
12	9-1606	NUT, 5/16-24 Hex Lock (2)
13	9-1503	COTTER, Hairpin (3)
14	3-6073	BRACE, Short (includes indented item)
-	5-1407	SPRING & HOOK ASS'Y
-	4-6573	BRACE, Long (includes indented item)
-	5-1407	SPRING & HOOK ASS'Y
15	2-9841	PIN, Clevis (3)
16	1-9966	INLET
17	1-9725	SECTOR
18	9-1530	BOLT, 1/4-20 x 3/4" Carriage (4)
19	5-7652	SCREEN ASS'Y (includes indented items)
-	1-9732	FRAME
-	1-9731	SCREEN
20	5-1930	BAG ASS'Y (includes indented items) (2)
-	1-9250	BAG, Grass Catcher (2)
-	1-9965	ROD, Bag Support (2)
-	1-4456	CONNECTOR, Rod (2)
21	9-1604	BOLT, 1/4-20 x 1/2 Grade 5 (5)
22	9-1576	NUT, 1/4-20 Hex (8)
23	9-1294	WASHER, 9/32" Flat (4)
24	9-1314	WASHER, 1/4 Lock (4)
25	3-7745	HANDLE, Tube
26	3-1952	BASE, Tube Handle
27	9-1614	BOLT, 1/4-20 X 3/4" Carriage (4)
28	3-1951	LATCH, Chute Tube
29	1-9912	ADAPTER
30	1-1910	DECAL, Caution
31	1-4517	TUBE, Grass
32	9-1537	WING-NUT, 5/16-18
33	9-1303	BOLT, 5/16-18 X 1"
34	9-1575	NUT, 5/16-18 Hex Lock (2) (not used, extra)
35	9-1612	BOLT, 5/16-18 X 1-1/2" Carriage (2) (not used, extra)
--	3-1954	BRACKET, Bumper Reinforcement (Shown on page 1)
--	7-1677	SHIELD, Muffler (Shown on page 1)
--	7-2416	WEIGHT, Front Frame (6) (Rider only) (Shown on page 2)
--	9-1976	SCREW, 5/8-11 x 1-3/4 Hex Cap (2) (Rider only) (Shown on page 2)
--	9-0333	WASHER, 5/8 Split Lock (2) (Rider only) (Shown on page 2)
--	9-0537	NUT, 5/8-11 Hex (2) (Rider only) (Shown on page 2)
--	9-1553	SCREW, 3/8-16 x 1-3/4" Hex Cap (2) (Rider only) (Shown on page 3)
--	9-1320	WASHER, 3/8 Split Lock (2) (Rider only) (Shown on page 3)
--	9-1302	NUT, 3/8-16 Hex (2) (Rider only) (Shown on page 3)

ACCESSORY, 38" TWIN BAG GRASS CATCHER 6-1248/6-1888



MANUAL No. 06613

LT SERIES (Small Frame)

6-1248/6-1888 ACCESSORY, 38" TWIN BAG GRASS CATCHER

ITEM	PART NO.	DESCRIPTION
-	6-1888	KIT, Twin Bag Grass Catcher (Was #6-1248) (Includes Items 1 Thru 59)
1	5-9626	COVER Assembly
2	3-5706	INLET
3	1-9725	SECTOR (Inside top baffle)
4	5-9951	MOUNTING Assembly (Includes following indented item)
-	3-6263	HOLDER, Inlet
5	5-1407	SPRING & Hook Assembly
6	3-6073	BRACE
7	5-4514	ASSEMBLY, Blade (Includes #4-4686 Decal)
8	3-8087	HINGE, Top (2)
9	4-4726*	BAFFLE
10	4-4685	SEAL
11	2-3797	PAD, Bumper (2)
12	5-4342	ASSEMBLY, Tube/Strap (Includes Indented Items & Item 31)
13	3-5707	TUBE, Grass
14	3-6404	NUT, #10-24 Weld
15	3-6415	SCREW, #10-24 x 5/8" Pan Head
16	3-6422	WASHER, 3/16 Flat
17	3-6433	ASSEMBLY, Strap Mounting
18	9-1552	WASHER, 7/32 Flat
19	5-4388	ASSEMBLY, Adapter/Strap (Includes Indented Items)
20	5-9469	ADAPTER
21	3-6404	NUT, #10-24 Weld (2)
22	3-6415	SCREW, #10-24 x 5/8" Pan Head (2)
23	3-6422	WASHER, 3/16 Flat (2)
24	3-6433	ASSEMBLY, Strap Mounting (2)
25	3-6543	NUT, 5/16-18 "T"
26	9-1296	WASHER, 11/32 Flat
27	9-1552	WASHER, 7/32 Flat (2)
28	9-1833	SCREW, 5/16-18 x 5/8" Pan Head
29	5-1930	ASSEMBLY, Bag (Includes Indented Items)
--	1-9250	BAG, Grass Catcher (2)
--	1-9965	ROD, Bag Support
--	1-4456	CONNECTOR
30	5-7652	ASSEMBLY, Screen (Includes Indented Items)
--	1-9731	SCREEN
--	1-9732	FRAME, Screen
31	1-1910	DECAL, Caution
32	1-9295	DECAL, SNAPPER
--	6-1889	HARDWARE BAG (Includes Indented Items & #6-0480 Air Lift Kit)
33	2-9841	PIN, 5/16 x 11/16" Clevis (3)
34	3-6543*	NUT, 5/16-18 "T"
35	9-0492*	NUT, 5/16-18 Wing (2)
36	9-1294	WASHER, 1/4 Flat (Grade 5) (4)
37	9-1296*	WASHER, .11/32 Flat (Grade 5) (4)
38	9-1303*	BOLT, 5/16-18 x 1" Short Neck Carriage, Grade 5 (2)
39	9-1314	WASHER, 1/4 Internal Tooth Lock (4)
40	9-1503	PIN, 3/32 x 1-1/2" Hair (3)
41	9-1530	BOLT, 1/4-20 x 3/4" Short Neck Carriage, Grade 5 (4)
42	9-1545	NUT, 1/4-20 Flange Lock (5)
43	9-1576	NUT, 1/4-20 Hex, Grade 5 or B (4)
44	9-1575*	NUT, 5/16-18 Hex Center Lock, Grade 5 or B (2)
45	9-1604	BOLT, 1/4-20 x 1/2" Short Neck Carriage, Grade 5 (5)
46	9-1833*	SCREW, 5/16-18 x 5/8" Pan Head Machine
47	9-1318*	BOLT, 5/16-18 x 3/4" Hex Cap, Grade 5 (2)
48	9-1296*	WASHER, 11/32" Flat (Grade 5) (2)
49	9-0238	SCREW, 5/16-24 x 1" Hex Head Cap, Grade 5 (2)
50	9-1315	WASHER, 5/16 "Split Lock (2)
51	9-1575	NUT, 5/16-18 Hex Center Lock (2)
52	9-1605	NUT, 1/4-28 Hex, Grade 5 or B (4)
53	9-1606	NUT, 5/16-24 Hex Center Lock (2)
54	9-1611	SCREW, 1/4-28 x 3/4" Hex Head Cap (4)
55	9-1612	BOLT, 5/16-18 x 1-1/2" Carriage, Grade 5 (2)
--	6-0480	KIT, Air Lift (2) (Includes Indented Items)
56	3-7723*	LIFTS, Air (2)
57	9-0228*	SCREW, 5/16-24 x 21/32" Machine (6)
58	9-0391*	WASHER, 5/16" Internal Tooth Lock (6)
59	9-0223*	NUT, 5/16-24 Hex (6)

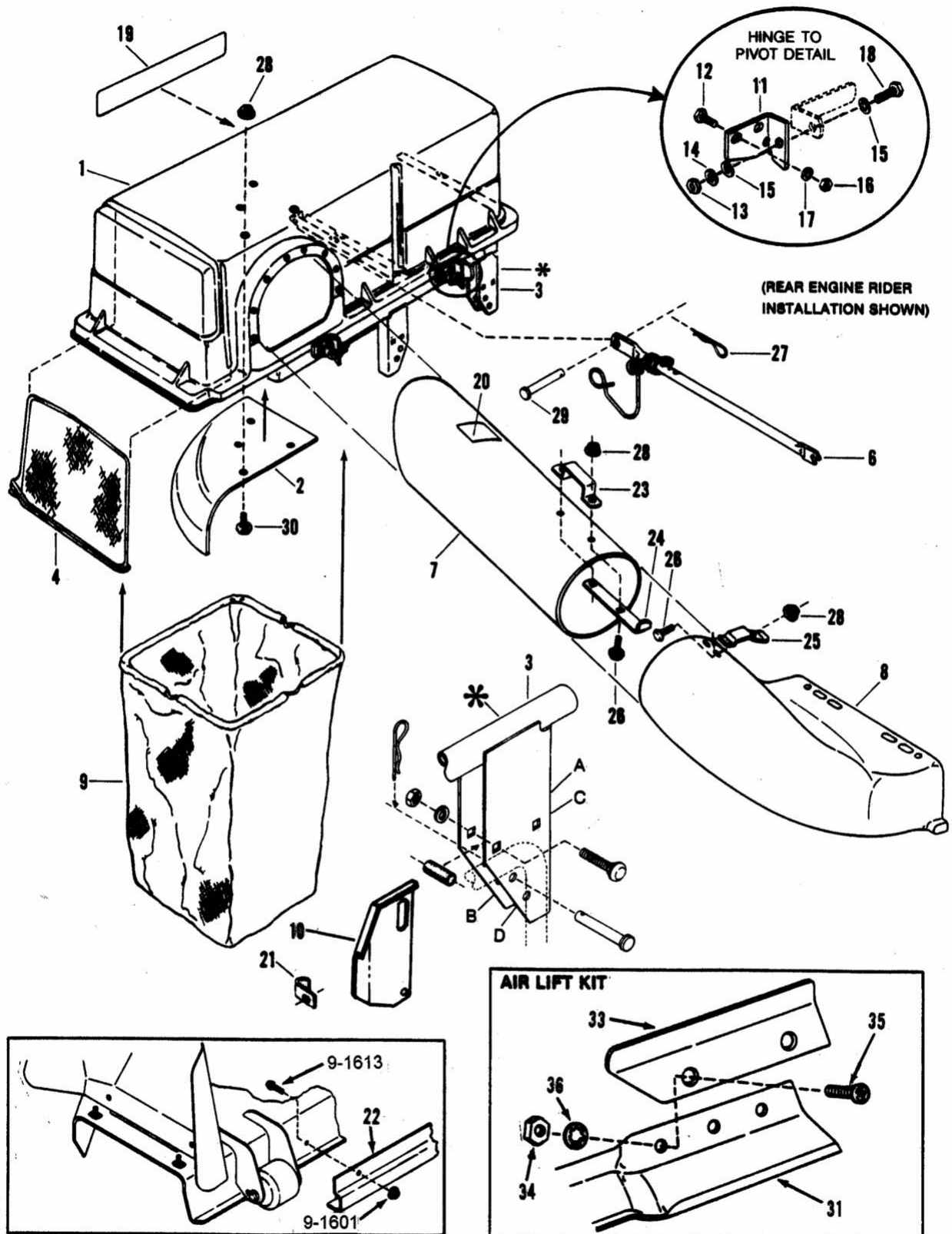
***NOTE:** For location, see Instruction #4-2685, included in 6-1888 Kit.

NOTE: 6-1334 Catcher Adapter Kit must be installed before Grass Catcher can be mounted.

LT SERIES (Small Frame)

MANUAL No. 06613

ACCESSORY, 41" TWIN BAG GRASS CATCHER 6-0945



MANUAL No. 06613

LT SERIES (Small Frame)

6-0945 ACCESSORY, 41" TWIN BAG GRASS CATCHER

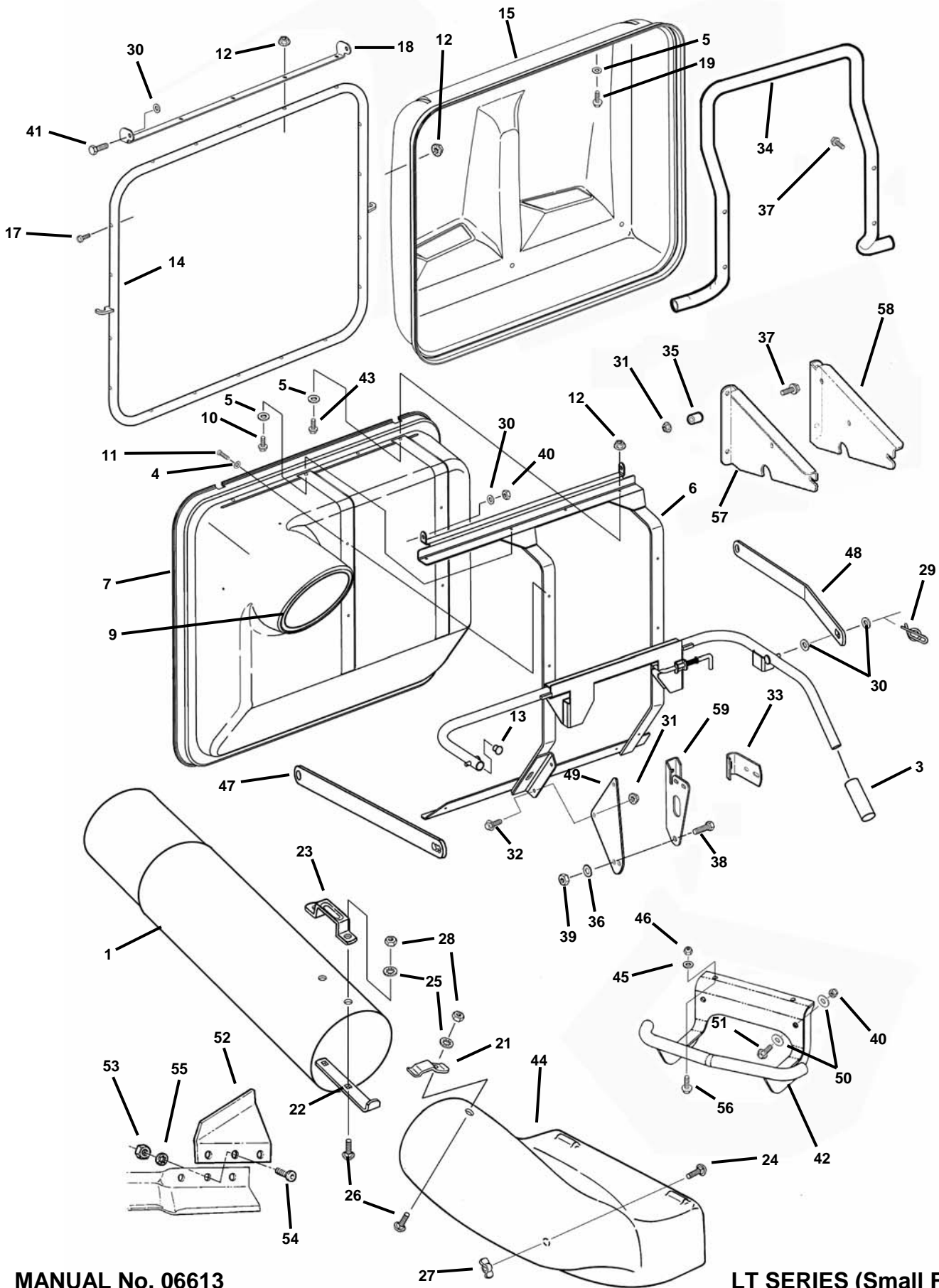
ITEM	PART NO.	DESCRIPTION
--	6-0945	KIT, 41" Twin Bag Grass Catcher (includes items 1 thru 32)
1	5-9710	ASSEMBLY, Cover (Includes 3-6075, Reinforcement Bar)
2	1-9725	SECTOR (Inside Top Baffle)
3	5-9937	STRUCTURE, Frame (includes indented items)
-	2-3797	PAD, Bumper Mount (2)
-	9-0192	BOLT, 5/16-18 x 1-1/2" Square Neck Carriage (2)
-	9-0188	WASHER, 5/16" Flat (2)
-	9-0184	NUT, 5/16-18 Hex Center Lock (2)
4	5-7652	ASSEMBLY, Screen (includes indented items)
-	1-9732	FRAME
-	1-9731	SCREEN
5	5-1407	ASSEMBLY, Spring & Hook
6	3-6073	BRACE
7	1-7318	TUBE, 46" Grass
8	5-1663	ASSEMBLY, Chute
9	5-1930	ASSEMBLY, Bag (2) (includes indented items)
-	1-9250	BAG, Grass Catcher (2)
-	1-9965	ROD, Bag Support (2)
-	1-4456	CONNECTOR, Rod (2)
10	3-6076	SHIELD, Muffler Heat
-	7-1677	GUARD, Muffler Heat
11	3-8087	HINGE, Top (2)
12	9-0541	SCREW, 1/4-28 x 3/4" Hex Head Cap, Grade 5 (4)
13	9-0222	NUT, 5/16-24 Hex Center Lock (2)
14	9-0187	WASHER, 5/16" Split Lock (2)
15	9-0188	WASHER, 5/16" SAE Flat (4)
16	9-0095	NUT, 1/4-28 Hex (4)
17	9-0053	WASHER, 1/4" Internal Tooth Lock (4)
18	9-0238	SCREW, 5/16-24 x 1" Hex Head Cap, Grade 5 (2)
19	1-8593	DECAL, Snapper (11-1/2" Long)
20	1-1910	DECAL, Caution
21	3-1954	SUPPORT, Bumper
-	9-0853	SCREW, #10-24 x 1/2" Hex Washer Self-Tap (4)
22	3-8277	BAFFLE
22A	6-0773	HARDWARE BAG (includes indented items)
23	3-7745	HANDLE, Tube
24	3-1952	BASE, Tube Handle
25	3-1951	LATCH, Chute Tube
26	9-0803	BOLT, 1/4-20 x 3/4" Flat Head Carriage (3)
27	9-1503	COTTER, 3/32 x 1-1/2" Hairpin (3)
28	9-1584	NUT, 1/4-20 Hex Flange Lock (7)
29	2-9841	PIN, 5/16 x 1-11/13" Clevis (3)
30	9-1604	BOLT, 1/4-20 x 1/2" Short Neck Carriage, Grade 5
-	9-1303	BOLT, 5/16-18 x 1" Short Neck Carriage, Grade 5
-	9-1537	LOCKNUT, 5/16-18 Wing
-	9-1613	SCREW, 5/16-18 x 3/4" Round Head (3)
-	9-1601	NUT, 5/16-18 Hex Flange Lock, Grade 5 (3)
-	9-1589	SCREW, 3/8-24 x 1-1/4" Hex Head Cap, Grade 5
-	9-1575	NUT, 5/16-18 Hex Center Lock, Grade 5 or B (4)
31	1-9795	BLADE, 21" Air Lift
32	6-0735	KIT, Air Lift (includes indented items)
33	3-1724	EXTENSION, Air Lift (2)
34	9-0223	NUT, 5/16-24 Hex (4)
35	9-0228	SCREW, 5/16-24 Oval Head Machine (4)
36	9-0391	WASHER, 5/16" Internal Tooth Lock (4)

NOTE: 6-0587, Catcher Adapter kit must be installed before Grass catcher can be mounted.

LT SERIES (Small Frame)

MANUAL No. 06613

ACCESSORY, 33" CLAMSHELL GRASS CATCHER 6-3131



MANUAL No. 06613

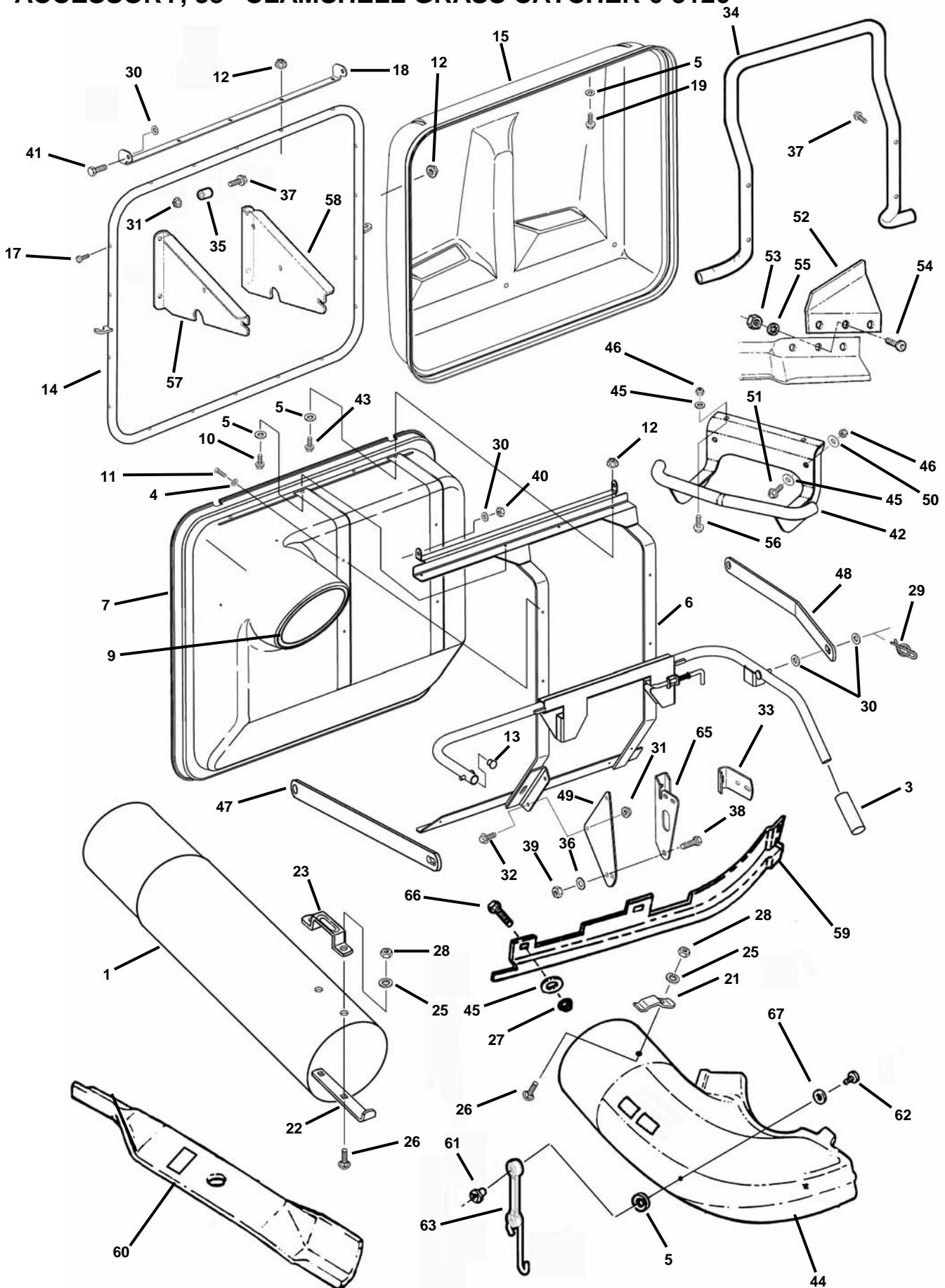
LT SERIES (Small Frame)

6-3131 ACCESSORY, 33" CLAMSHELL GRASS CATCHER

ITEM	PART NO.	DESCRIPTION	ITEM	PART NO.	DESCRIPTION
--	6-3131	KIT, 33" Clamshell Grass Catcher (Includes items 1 thru 60)	31	9-1601	NUT, 5/16-18 Flange Lock (8)
1	1-7316	TUBE, Grass	32	9-1811	BOLT, 5/16-18 x 5/8" Hex Flange Lock (3)
2	2-8700	DECAL, Read Manual (Not Shown)	33	3-1954	SUPPORT, Bumper
3	1-1870	GRIP	34	3-3587	BUMPER, Rear
4	1-6314	WASHER, 11/32 Flat (9)	35	7-3272	SPACER, Bumper Bracket
5	3-6422	WASHER, 3/16 Flat (30)	36	9-0509	WASHER, 1/2 Internal Tooth Lock
6	5-8615	WELDMENT, Front Cover Brace	37	9-1270	SCREW, 5/16-18 x 1-3/4" Hex Washer Self-Tapping (5)
7	7-2873	COVER, Front	38	9-0646	BOLT, 1/2-13 x 1" Hex Head Cap Grade 5
8	7-2874	DEFLECTOR (Not Shown)	39	9-1316	NUT, 1/2-13 Hex Gr. B
9	7-2950	GASKET, Chute	40	9-1299	NUT, 3/8-16 Hex Lock (4)
10	9-0307	SCREW, #10-24 x 1/2" Self-Tapping (3)	41	9-1304	SCREW, 3/8-16 x 1" Hex Head Cap, Grade 5 (2)
11	9-0999	SCREW, 1/4-20 x 5/8" Pan Head Self-Tapping (9)	42	4-4773	WELDMENT, LT Bumper
12	9-1079	NUT, #10-24 Hex Fl. Lock (22)	43	9-0624	BOLT, #10-24 x 3/4" Hex Flange Lock, Grade 5
13	7-2951	END CAP, Tube	44	5-8641*	ASSEMBLY, Chute
14	5-8600	WELDMENT, Rear Cover Brace	45	9-1296	WASHER, 5/16" Flat (2)
15	7-2872	COVER, Rear	46	9-1298	NUT, 5/16-18 Hex Nyloc (2)
16	7-2876	GRILL, Rear Cover (Not Shown)	47	7-3172	LINK, Handle (Right Hand)
17	7-3145	BOLT, #10-24 x 1-1/2" Oval Head (13)	48	7-3173	LINK, Handle (Left Hand)
18	7-3179	HINGE, Rear Cover	49	7-3171	PLATE, Hitch
19	9-1265	SCREW, #10-24 x 1-1/2 Machine (5)	50	9-1300	WASHER, 7/16" Flat (4)
20	7-2964	DECAL, Warning (Not Shown)	51	9-1891	BOLT, 3/8-16 x 1" Hex Flange Lock (2)
21	3-1951	LATCH, Chute/Tube	--	6-0480	KIT, Air Lift (Incl. Items 52-55)
22	3-1952	BASE, Handle	52	3-7723	Air Lift (2)
23	3-7745	HANDLE, Tube	53	9-0223	NUT, 5/16-24 Hex (6)
24	9-1303	BOLT, 5/16-18 x 1" Round Head Short Neck Carriage, Grade 5	54	9-0228	SCREW, 5/16-24 x 5/8" Oval Head Machine (6)
25	9-1314	WASHER, 1/4 Internal Tooth Lock (3)	55	9-0391	WASHER, 5/16 Internal Tooth Lock (6)
26	9-1530	BOLT, 1/4-20 x 3/4" Round Hd. Short Nk. Carriage, Gr. 5 (3)	56	9-1905	BOLT, 5/16-18 x 7/8" Hex Flange Lock (2)
27	9-1537	NUT, 5/16-18 Wing	57	7-3262	BRACKET, Bumper Support (Right Hand)
28	9-1576	NUT, 1/4-20 Hex (3)	58	7-3263	BRACKET, Bumper Support (Left Hand)
29	9-1593	PIN, 3/8 Self Lock Cotter (2)	59	5-8745	BRACE, Bumper
30	9-1514	WASHER, 3/8 Flat (8)	60	7-3509	SCREEN, Clamshell (not shown)

***NOTE: 5-8641 includes a bag adapter (part no. 1-9912) and two decals (part nos. 4-6720 & 2-9784).**

ACCESSORY, 38" CLAMSHELL GRASS CATCHER 6-3126



MANUAL No. 06613

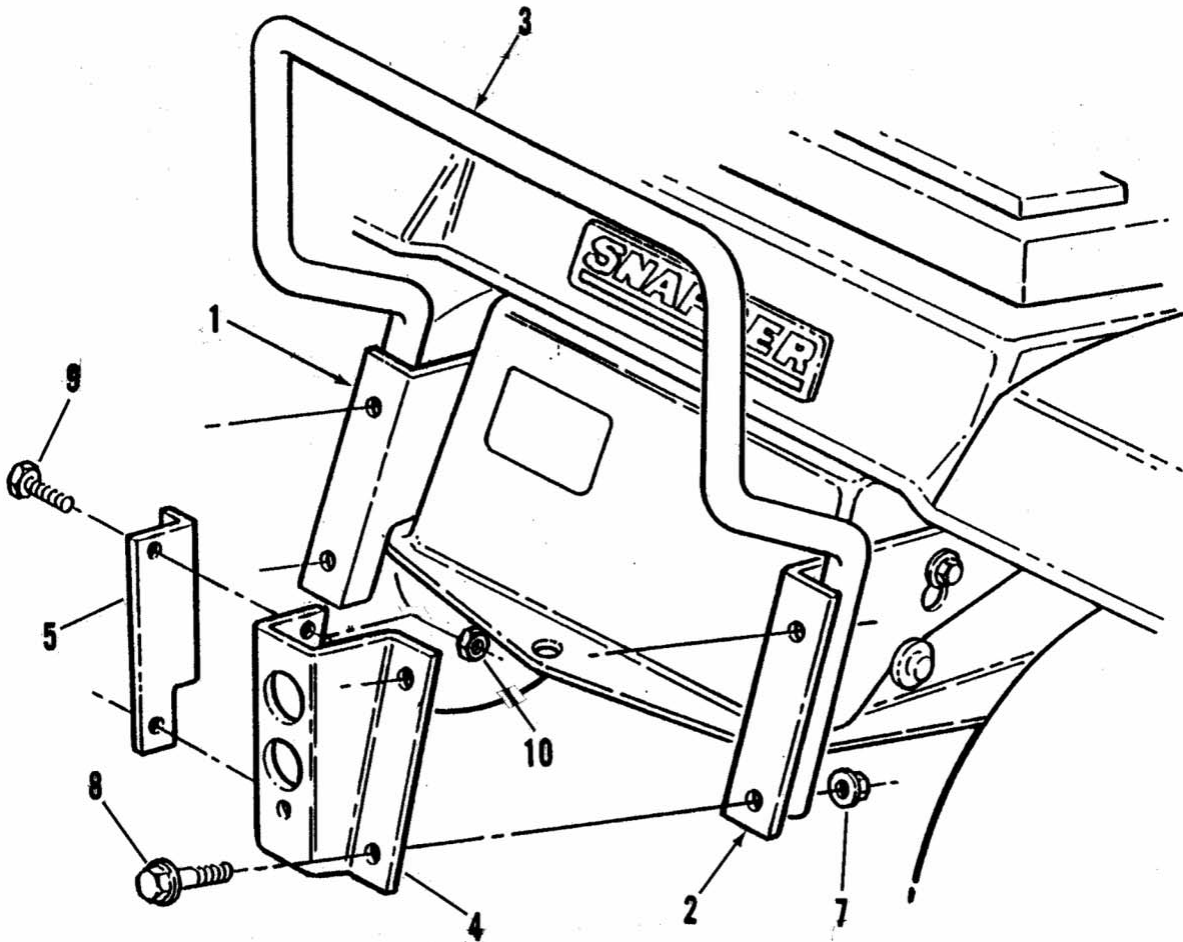
LT SERIES (Small Frame)

6-3126 ACCESSORY, 38" CLAMSHELL GRASS CATCHER

ITEM	PART NO.	DESCRIPTION	ITEM	PART NO.	DESCRIPTION
--	6-3126	KIT, 38" Clamshell Grass Catcher (Includes items 1 thru 68)	36	9-0509	WASHER, 1/2 Internal Tooth Lock
1	7-3431	TUBE, Grass	37	9-1270	SCREW, 5/16-18 x 1-3/4" Hex Washer Self-Tapping (5)
2	2-8700	DECAL, Read Manual (Not Shown)	38	9-0646	BOLT, 1/2-13 x 1" Hex Head Cap Grade 5
3	1-1870	GRIP	39	9-1316	NUT, 1/2-13 Hex Grade B
4	1-6314	WASHER, 11/32 Flat (9)	40	9-1299	NUT, 3/8-16 Hex Lock (4)
5	3-6422	WASHER, 3/16 Flat (32)	41	9-1304	SCREW, 3/8-16 x 1" Hex Head Cap, Grade 5 (2)
6	5-8615	WELDMENT, Front Cover Brace	42	4-4773	WELDMENT, LT Bumper
7	7-2873	COVER, Front	43	9-0624	BOLT, #10-24 x 3/4" Hex Flange Lock, Grade 5
8	7-2874	DEFLECTOR (Not Shown)	44	5-8658*	ASSEMBLY, Chute
9	7-2950	GASKET, Chute	45	9-1296	WASHER, 5/16" Flat (5)
10	9-0307	SCREW, #10-24 x 1/2" Self-Tapping (3)	46	9-1298	NUT, 5/16-18 Hex Nyloc (2)
11	9-0999	SCREW, 1/4-20 x 5/8" Pan Head Self-Tapping (9)	47	7-3172	LINK, Handle (Right Hand)
12	9-1079	NUT, #10-24 Hex Fl. Lock (22)	48	7-3173	LINK, Handle (Left Hand)
13	7-2951	END CAP, Tube	49	7-3171	PLATE, Hitch
14	5-8600	WELDMENT, Rear Cover Brace	50	9-1300	WASHER, 7/16" Flat (4)
15	7-2872	COVER, Rear	51	9-1891	BOLT, 3/8-16 x 1" Hex Flange Lock (2)
16	7-2876	GRILL, Rear Cover (Not Shown)	--	6-0480	KIT, Air Lift (Incl. Items 52-55)
17	7-3145	BOLT, #10-24 x 1-1/2" Oval Head (13)	52	3-7723	Air Lift (2)
18	7-3179	HINGE, Rear Cover	53	9-0223	NUT, 5/16-24 Hex (6)
19	9-1265	SCREW, #10-24 x 1-1/2 Machine (5)	54	9-0228	SCREW, 5/16-24 x 5/8" Oval Head Machine (6)
20	7-2964	DECAL, Warning (Not Shown)	55	9-0391	WASHER, 5/16 Internal Tooth Lock (6)
21	3-1951	LATCH, Chute/Tube	56	9-1905	BOLT, 5/16-18 x 7/8" Hex Flange Lock (2)
22	3-1952	BASE, Handle	57	7-3262	BRACKET, Bumper Support (Right Hand)
23	3-7745	HANDLE, Tube	58	7-3263	BRACKET, Bumper Support (Left Hand)
24	9-1540	SCREW, 5/16-18 x 1-1/2" Hex Head Cap, Grade 5 (used on Hydro RER only!)	59	4-4726	BAFFLE, 38 Deck MY 97
25	9-1314	WASHER, 1/4 Internal Tooth Lock (3)	60	5-4514	ASS'Y, Air Lift Blade
26	9-1530	BOLT, 1/4-20 x 3/4" Round Hd. Short Nk. Carriage, Gr. 5 (3)	--	3-6547	BLADE, 19.64" Hi-Lift
27	9-1575	NUT, 5/16-18 Hex Ctr. Lock (2)	--	4-4686	DECAL, Warning
28	9-1576	NUT, 1/4-20 Hex (3)	61	3-6404	NUT, Weld- 10/24 Thread (2)
29	9-1593	PIN, 3/8 Self Lock Cotter (2)	62	3-6415	SCREW, 10/24 x 5/8" Pan Head (2)
30	9-1514	WASHER, 3/8 Flat (8)	63	3-6433	STRAP, Bag Adap./Tube (2)
31	9-1601	NUT, 5/16-18 Flange Lock (8)	64	3-6543	TEENUT, 5/16-18 Thread
32	9-1811	BOLT, 5/16-18 x 5/8" Hex Flange Lock (3)	65	5-8745	BRACE, Bumper
33	3-1954	SUPPORT, Bumper	66	9-1318	SCREW, 5/16-18 x 3/4" Hex Head Cap, Grade 5 (3)
34	3-3587	BUMPER, Rear	67	9-1552	WASHER, .219 I.D. Flat (2)
35	7-3272	SPACER, Bumper Bracket	68	7-3509	SCREEN, Clamshell (not shown)

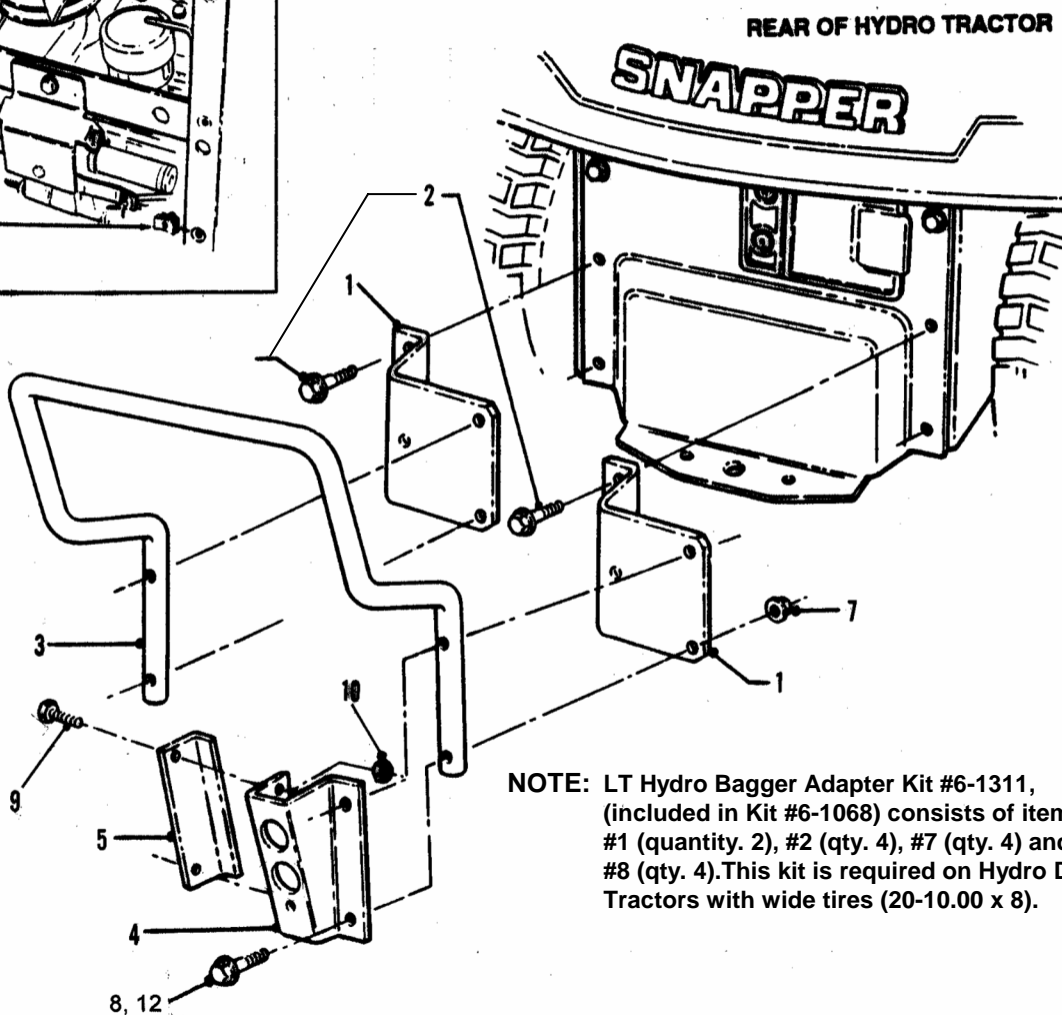
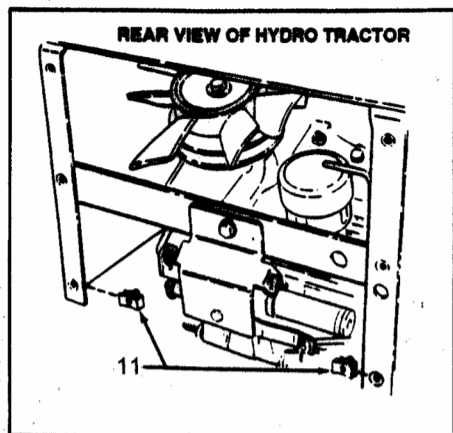
***NOTE: 5-8658 includes a bag adapter (part no. 2-9206) and two decals (part nos. 4-6720 & 2-9784).**

ACCESSORY, GRASS CATCHER ADAPTER 6-1334
(for 1-Piece Frame, Series A thru D Models)



ITEM	PART NO.	DESCRIPTION
--	6-1334	KIT, Grass Catcher Adapter (Includes items 1 thru 6)
1	3-4173	SUPPORT, Stand-Up Tube L.H. (shown installed)
2	3-4172	SUPPORT, Stand-Up Tube R.H. (shown installed)
3	1-7593	BUMPER
4	3-4020	BRACKET
5	3-3991	BRACKET, Stand-Off
6	6-1258	BAG, Hardware (Includes indented items below)
7	9-1601	NUT, 5/16-18 Hex Flange Lock, Grade 5 (4)
8	9-1592	BOLT, 5/16-18 x 2" Hex Flange Lock, Grade 5 (4)
9	2-7172	SCREW, 1/4-20 x 5/8" Hex Head Cap, Grade 5 (2)
10	9-1584	NUT, 1/4-20 Hex Flange Lock, Grade 5 (2)

6-1068 ACCESSORY, GRASS CATCHER ADAPTER (for Hydro and Gear Drive Models)

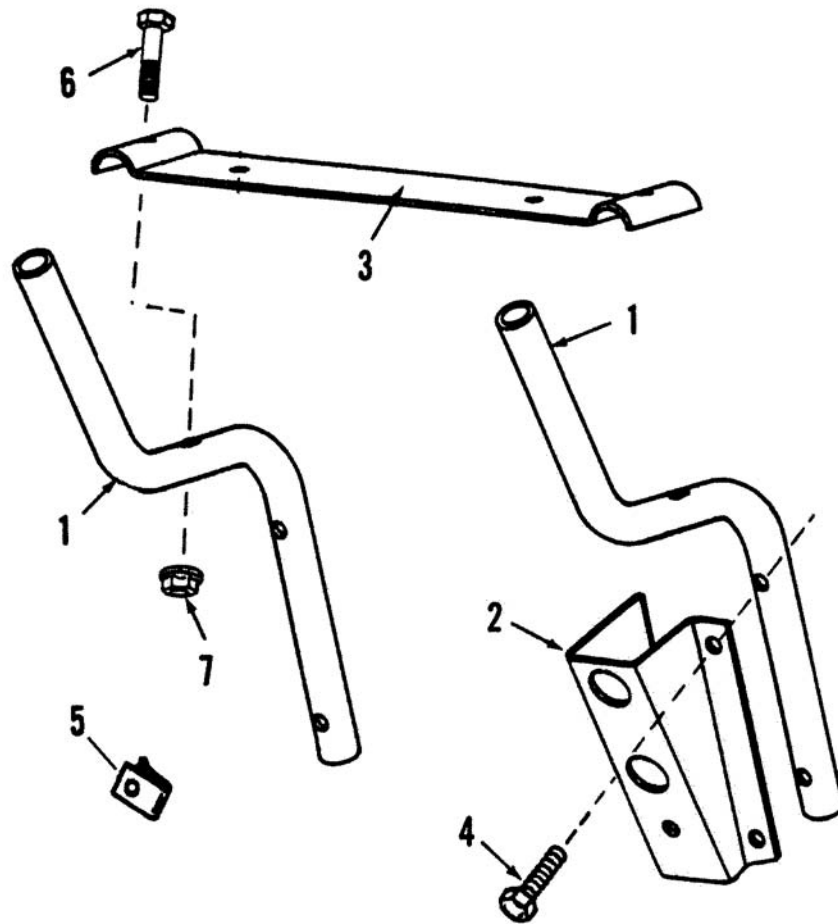


NOTE: LT Hydro Bagger Adapter Kit #6-1311, (included in Kit #6-1068) consists of items: #1 (quantity. 2), #2 (qty. 4), #7 (qty. 4) and #8 (qty. 4). This kit is required on Hydro Drive Tractors with wide tires (20-10.00 x 8).

ITEM	PART NO.	DESCRIPTION
--	6-1068	KIT, Grass Catcher Adapter (Includes items 1 thru 7)
1	3-4062	BRACKET, Bagger Adapter (2)
2	9-1591	BOLT, 5/16-18 x 1" Hex Flange Lock, Grade 5 (4)
3	1-7593	BUMPER
4	3-4020*	BRACKET, Support
5	3-3140*	BRACKET, Stand-off
6	6-1070	BAG, Hardware (includes indented items below)
7	9-1601	NUT, 5/16-18 Hex Flange Lock, Grade 5 (4)
8	9-1602	BOLT, 5/16-18 x 1-1/2" Hex Flange Lock, Grade 5 (2 in bag; 4 in kit)
9	2-7172	SCREW, 1/4-20 x 5/8" Hex Head Cap, Grade 5 (2)
10	9-1584	NUT, 1/4-20 Hex Flange Lock, Grade 5 (2)
11	1-6116	NUT, 5/16" Push-on (4)
12	9-1264	BOLT, 5/16-18 x 1-3/4" Hex Flange Lock, Grade 5 (2)

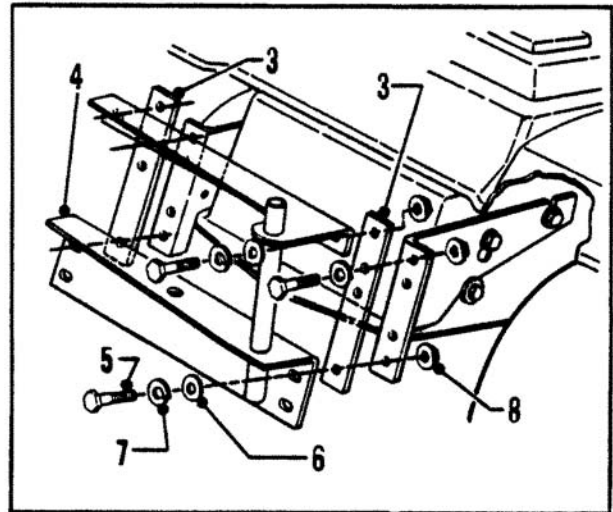
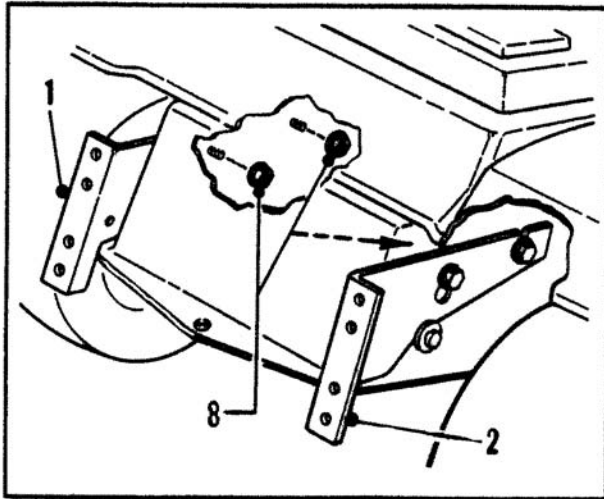
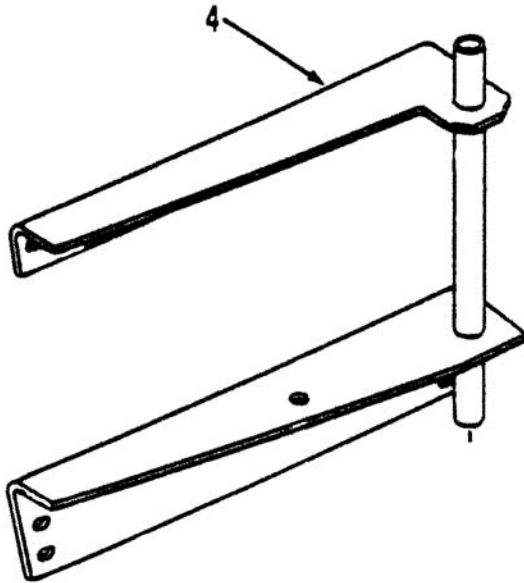
***NOTE:** Required for Twin Bag Models only.

ACCESSORY, GRASS CATCHER ADAPTER 6-0860
(for LT12D Series Models)



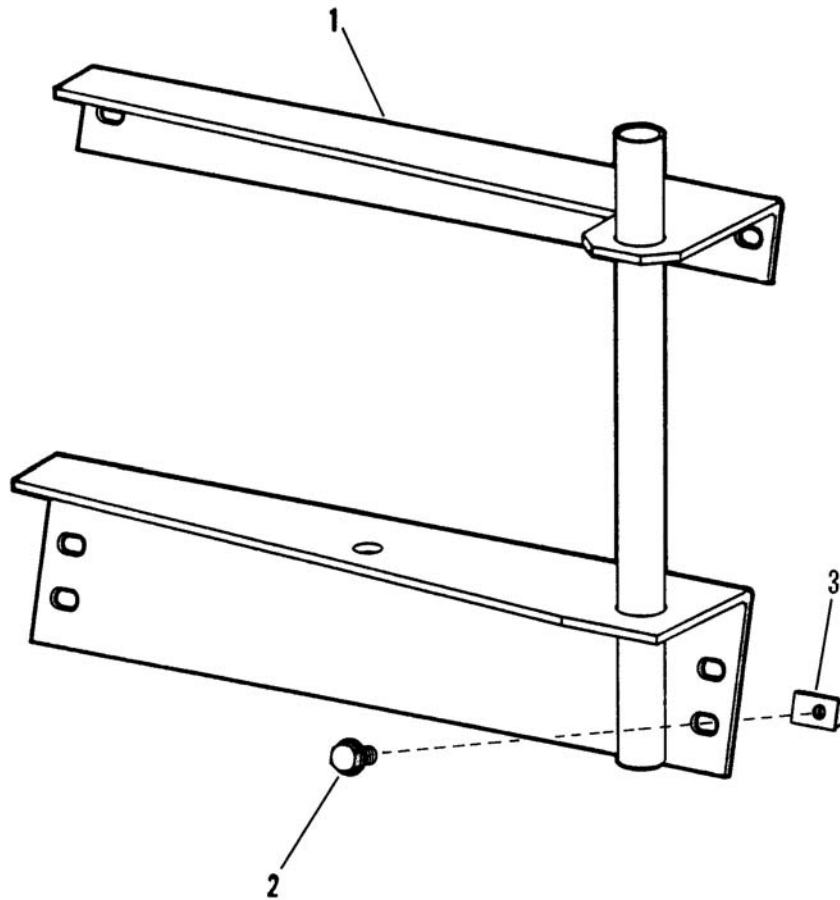
ITEM	PART NO.	DESCRIPTION
--	6-0860	KIT, Bagger Adapter (Includes items 1 thru 7)
1	3-6258	BUMPER (2)
2	3-4020	BRACKET
3	3-8394	BRACE
--	6-0997	BAG, Hardware (Includes indented items below)
4	9-1592	BOLT, 5/16-18 x 2" Hex Flange Lock, Grade 5 (4)
5	1-6116	NUT, 5/16" Push-on (4)
6	9-0639	SCREW, 1/4-20 x 1-1/2" Hex Head Cap, Grade 5 (2)
7	9-1584	NUT, 1/4-20 Hex Flange Lock, Grade 5 (2)

6-1308 ACCESSORY, BAG-N-WAGON ADAPTER (for Series "A" 1-Piece Frame Models)



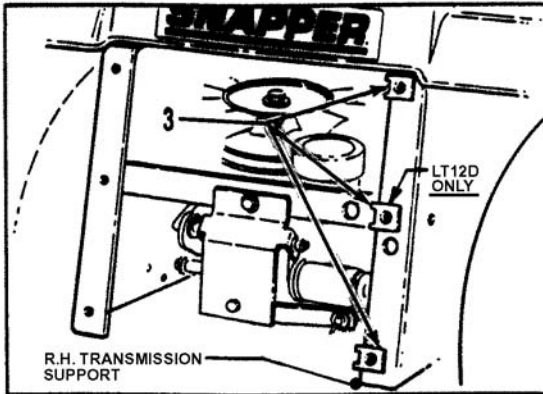
ITEM	PART NO.	DESCRIPTION
--	6-1308	KIT, Bag-N-Wagon Adapter (Includes items 1 thru 8)
1	3-4173	SUPPORT, Stand-up Tube L.H. (shown installed)
2	3-4172	SUPPORT, Stand-up Tube R.H. (shown installed)
3	3-1494	ADAPTER, Alignment (2)
4	4-0635	WELDMENT, Adapter
--	6-1338	BAG, Hardware (Includes indented items below)
5	9-1260	BOLT, 5/16-18 x 1-1/4" Hex Head, Grade 8 (6)
6	9-1296	WASHER, 5/16" Flat, Grade 5 (4)
7	9-1315	WASHER, 5/16" Split Lock (6)
8	9-1511	NUT, 5/16-18 Hex, Grade 5 (10)

**ACCESSORY, BAG-N-WAGON ADAPTER 6-0957
(for LT12D Series)**

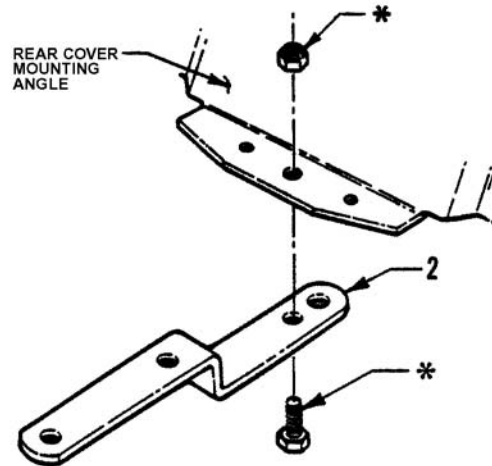
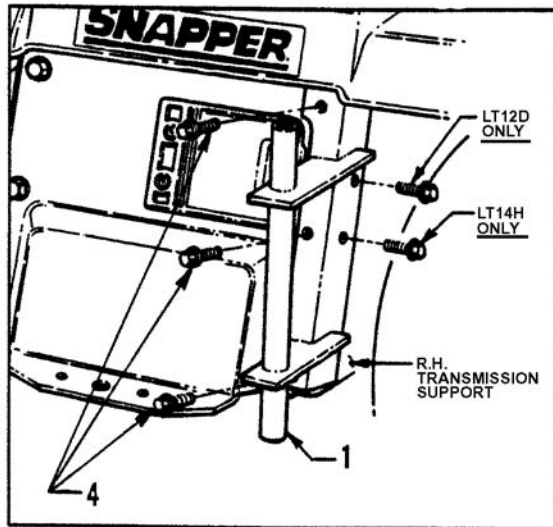


ITEM	PART NO.	DESCRIPTION
--	6-0957	KIT, Bag-N-Wagon Adapter (Includes items 1 thru 3)
1	4-0635	WELDMENT, Adapter
--	6-0979	BAG, Hardware (Includes indented items below)
2	9-0595	BOLT, 5/16-18 x 3/4" Hex Flange Lock, Grade 5 (4)
3	1-6116	NUT, 5/16" Push-on (4)

6-1089 ACCESSORY, BAG-N-WAGON ADAPTER (for Hydro and Gear Drive Models)



NOTE: Rear cover is removed in this view.

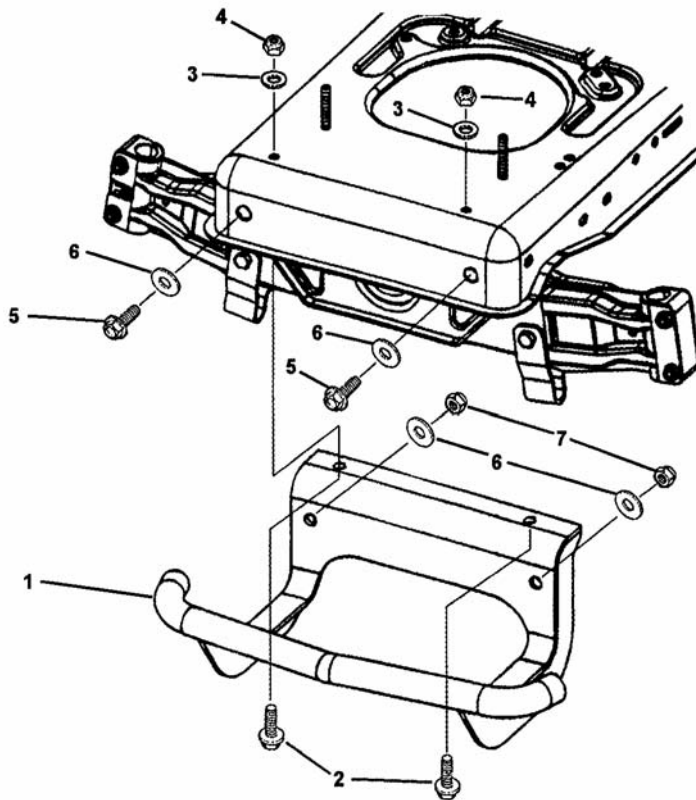


NOTE
The LOWER DRAWBAR must be loose enough to pivot.

* Component of Bag-N-Wagon Kit.

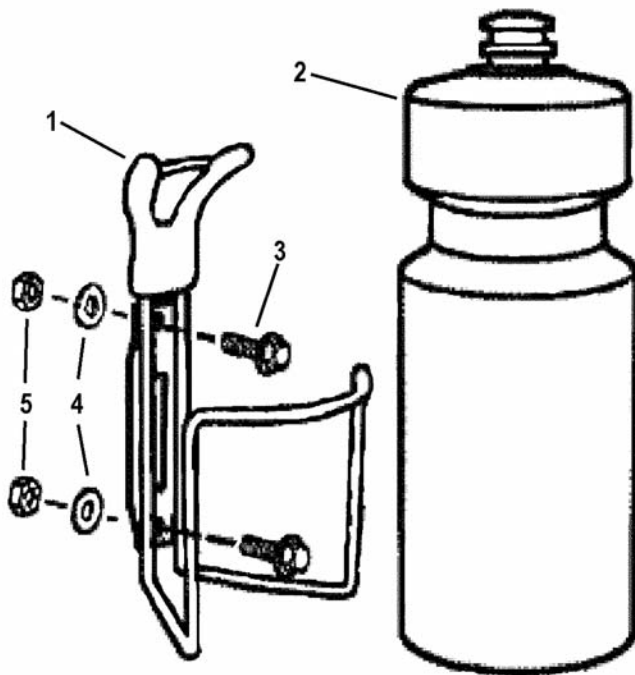
ITEM	PART NO.	DESCRIPTION
--	6-1089	KIT, Bag-N-Wagon Adapter (Includes items 1 thru 4)
1	4-0991	WELDMENT, Adapter
2	3-3371	DRAWBAR, Lower
--	6-1092	BAG, Hardware (Includes indented items below)
3	1-6116	NUT, 5/16" Push-on (2)
4	9-1541	SCREW, 5/16-18 x 3/4" Hex Washer Self-Tap(4)

ACCESSORY, FRONT BUMPER KIT 6-3123



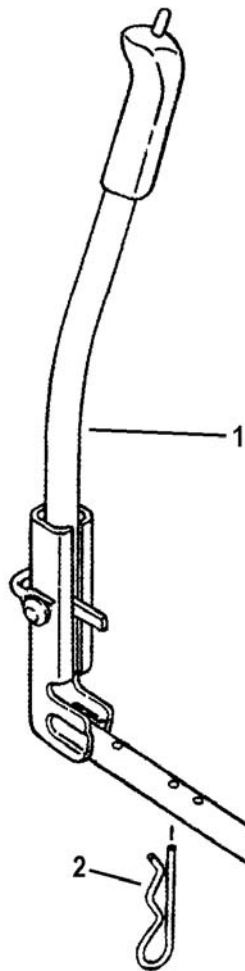
ITEM	PART NO.	DESCRIPTION
1	4-4773	BUMPER
2	9-1905	BOLT, 5/16-18 x 7/8" Flange Lock (2)
3	9-1296	WASHER, 5/16" Flat (2)
4	9-1298	NUT, 5/16-18 Nyloc (2)
5	9-1891	BOLT, 3/8-16 x 1" Flange Lock Gr. 5 (2)
6	9-1300	WASHER, 7/16" Flat (4)
7	9-1299	NUT, 3/8-16 Hex Nyloc (2)

ACCESSORY, WATER BOTTLE KIT 6-3203

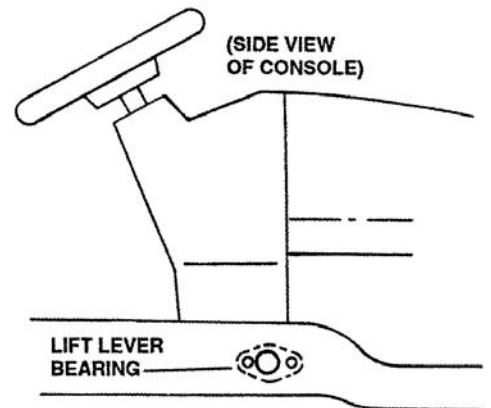
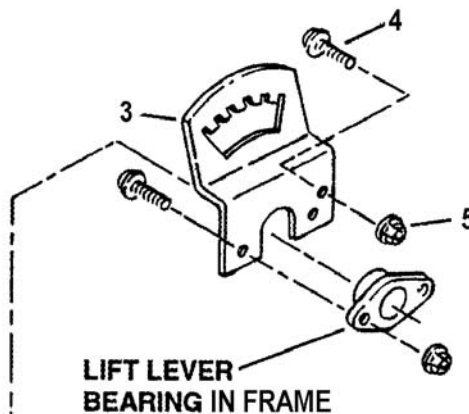


ITEM	PART NO.	DESCRIPTION
-	6-3203	KIT, WATER BOTTLE
1	7-4560	HOLDER, Wire Bottle
2	7-4561	BOTTLE, Water
3	9-0363	SCREW, 10C 5/8" Hex Washer ST (2)
4	9-1552	WASHER, #10 Flat (2)
5	9-1290	NUT, 10-24 Nyloc (2)

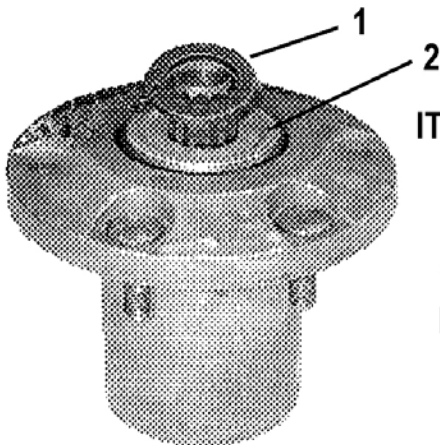
6-1320 ACCESSORY, IMPLEMENT LIFT LEVER KIT



ITEM	PART NO.	DESCRIPTION
--	6-1320	KIT, IMPLIMENT LIFT LEVER (For one piece frame tractors)
1	5-3350	LEVER, Impliment Lift
2	1-3844	PIN, Hair 2.62"
3	3-3449	QUADRANT, Lift Lever
4	9-1001	SCREW, Self-Tapping 5/16x5/8" (2)
5	9-0585	NUT, Lock 5/16-18 (2)



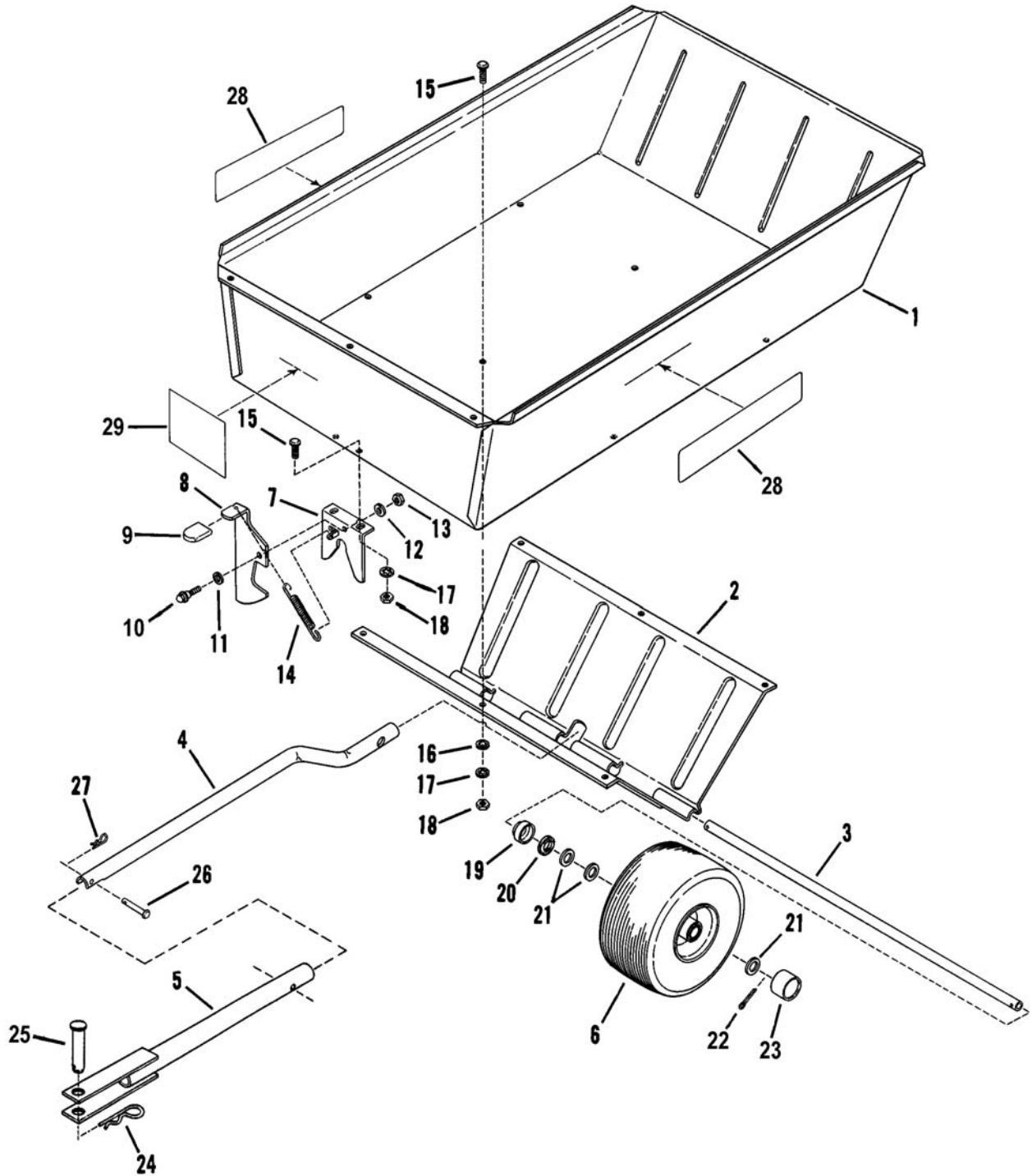
6-3240 ACCESSORY, BEARING PRE-SEAL KIT (for 48" decks with field replaceable spindles)



ITEM	PART NO.	DESCRIPTION
--	6-3240	KIT, SEAL - BEARING
1	1-3370	WASHER (1.03" ID, 1.5" OD, .134" THICK) (3)
2	6-3238	SEAL, Bearing (3)

NOTE: Housing Assembly is not part of the kit.
This shows washer and seal location.

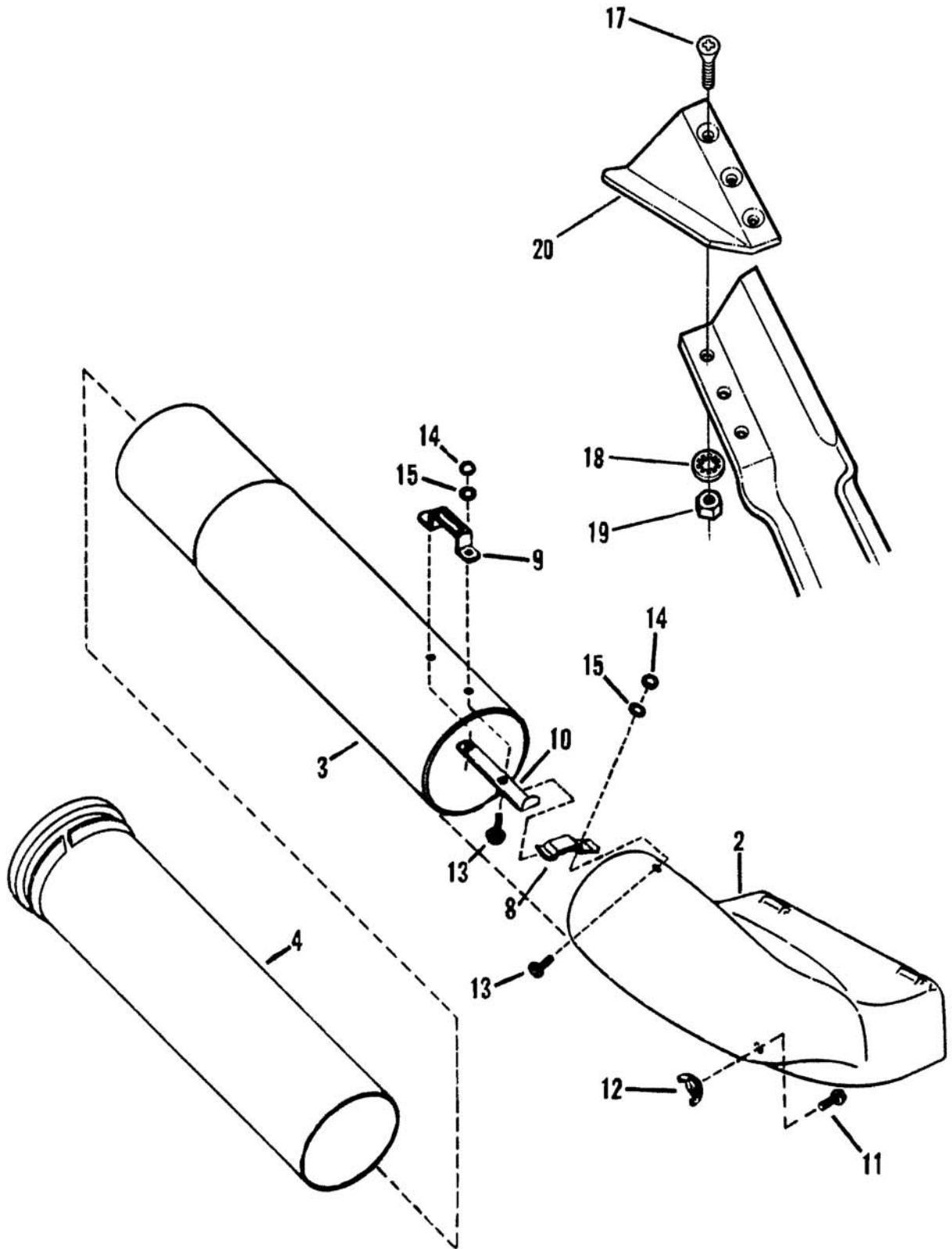
ACCESSORY, DUMP WAGON 6-0697



6-0697 ACCESSORY, DUMP WAGON

ITEM	PART NO.	DESCRIPTION
-	6-0697	KIT, Dump Wagon (Includes items 1 thru 29)
1	4-0446	BODY, Dump Wagon
2	3-9604	SUPPORT, Axle
3	3-1949	AXLE
4	3-1946	TONGUE
5	4-7869	DRAW-BAR
6	5-2667	ASSEMBLY, Wheel/Tire, Pneumatic (2) (Incl. Indented items)
-	1-1820	TIRE, 4.10/3.50 x 4
-	1-0819	RIM (Includes indented items)
-	1-0807	BEARING, Ball (2)
-	1-4247	FITTING, Lube
-	1-0821	TUBE, Inner
7	3-7737	BASE, Latch (Yoke)
8	3-7736	LATCH
9	1-2391	GRIP, Latch
10	1-1078	BOLT, 5/16-18 Hex Shoulder
11	1-1079	WASHER, Spring
12	9-0187	WASHER, 5/16 Split Lock
13	9-0196	NUT, 5/16-18 Hex
14	1-3694	SPRING, Latch
15	9-0074	BOLT, 1/4-20 x 3/4" Short Square Neck Carriage, Grade 5 (8)
16	1-2485	RETAINER, 1/4" Bolt (6)
17	9-0053	WASHER, 1/4" Internal Tooth Lock (8)
18	9-0063	NUT, 1/4-20 Hex (8)
19	3-1038	CAP, Dust (2)
20	1-1032	WASHER, Felt (2)
21	1-0935	WASHER, Spacer (6)
22	9-0364	PIN, 5/32 x 1" Cotter (2)
23	1-1022	CAP, Hub (2)
24	1-1768	PIN, 1/2 x 2" Clevis
25	1-5067	PIN, 1/16 x 1-7/16" Hair Cotter
26	1-1713	PIN, 3/8 x 2-1/4" Clevis
27	1-1714	PIN, 3/32 x 1-7/8" Hair Cotter
28	1-6648	DECAL, Snapper (2)
29	1-2464	DECAL, Maximum Load

**BAG-N-WAGON (Complete) 6-0947
(Tube Section)**

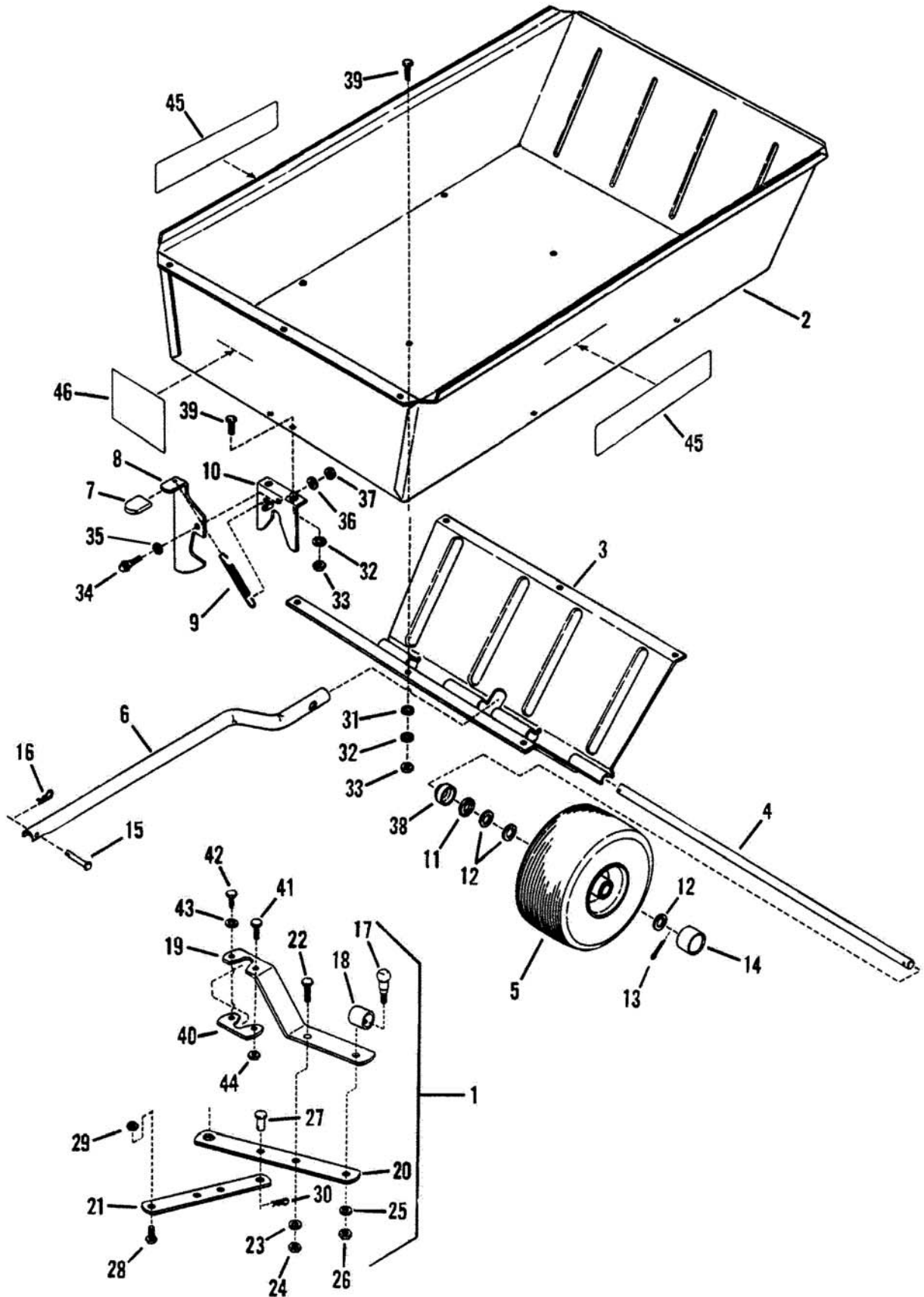


6-0947 BAG-N-WAGON (Complete) (Tube Section)

ITEM	PART NO.	DESCRIPTION
--	6-0947	KIT, Snapper Bag-N-Wagon (complete – see pages 40 through 45)
--	6-0964	KIT, Wagon Cover (Part of 6-0947) (see page 35, item 1)
2	5-7816	ASSEMBLY, Deck Adapter/Decal (includes Adapter, 1-9912 and Decal, 4-6720)
3	2-3115	TUBE, Grass (8" Diameter)
4	1-8985	TUBE, Grass (10" Diameter)
5	6-0592	BAG, Hardware (see page 31 for components)
6	6-0480	KIT, Air lift (Includes items 17 thru 20)
7*	3-7725	BRACKET, Stand-Off (not shown)
8	3-1951	LATCH, Tube
9	3-7745	HANDLE, Tube
10	3-1952	BASE, Tube Handle
11	9-0383	BOLT, 5/16-18 x 1" Short Neck Carriage, Grade 5
12	9-0375	WING-NUT, 5/16-18
13	9-0074	BOLT, 1/4-20 x 3/4" Short Neck Carriage, Grade 5 (6)
14	9-0063	NUT, 1/4-20 (6)
15	9-0053	WASHER, 1/4" Internal Tooth Lock (6)
16	9-0188	WASHER, 5/16" Flat (2)
--	6-0480	KIT, Air Lift (Includes items 17 thru 20 below)
17	9-0228	SCREW, 5/16-24 x 11/16" Oval Head Machine (6)
18	9-0391	WASHER, 5/16" Internal Tooth Lock (6)
19	9-0223	NUT, 5/16-24 Hex (6)
20	3-7723	AIR LIFT (2)
21*	9-0548	SCREW, 1/4-20 x 1" Hex Head Cap, Grade 5 (not shown)
--	5-1420	ASSEMBLY, Latch (components listed on page 43, item #'s 7, 8, 9, 10, 34, 35, 36, & 37)

***NOTE: Used on Rear Engine Riders only.**

ACCESSORY, BAG-N-WAGON 6-0947 (Hitch and Body Section)



6-0947 ACCESSORY, BAG-N-WAGON (Hitch and Body Section)

ITEM	PART NO.	DESCRIPTION
1	5-1935	ASSEMBLY, Hitch (Includes items 17 thru 30 & 40 thru 44)
2	4-0446	BODY, Wagon Cart
3	3-9604	SUPPORT, Axle
4	3-1949	AXLE
5	5-2667	ASSEMBLY, Wheel/Tire, Pneumatic (Includes indented items below) (may also use 5-1449 or 5-2305) (2)
--	1-0820	TIRE, 4.10/3.50x4
--	1-0819	RIM (Includes indented items below)
--	1-1807	BEARING, Ball (2)
--	1-4247	FITTING, Lube
--	1-0821	TUBE, Inner
6	3-1946	TONGUE
7	1-2391	GRIP, Latch
8	3-7736	LATCH
9	1-3694	SPRING, Latch
10	3-7737	YOKE
11	1-1032	WASHER, Felt (2)
12	1-0935	WASHER, 3/4" (6)
13	9-0364	PIN, 5/32 x 1" Cotter (2)
14	1-1022	COVER, Dust (2)
15	1-1713	PIN, 3/8 x 2-1/4" Clevis
16	1-1714	HAIRPIN, 3/32"
17	1-2388*	BALL, Hitch
18	2-1762*	COLLAR, Hitch
19	2-9562*	BAR, Upper Draw
20	3-7742*	BRACE, Draw Bar
21	3-7743*	BAR, Lower Draw
22	9-0160*	SCREW, 3/8-24 x 1" Hex Head Cap, Grade 5
23	9-0118*	WASHER, 3/8" Split Lock
24	9-0155*	NUT, 3/8-24 Hex, Grade 2
25	9-0247*	WASHER, 7/16" Split Lock
26	9-0460*	NUT, 7/16-20 Hex, Grade B
27	1-2389*	PIN, Hitch Clevis
28	9-0268*	SCREW, 1/2-20 x 1" Hex Head Cap, Grade 2
29	9-0819*	NUT, 1/2-20 Hex Jam Lock
30	1-5067*	HAIRPIN, 3/32 x 1-19/32"
31	1-2485	RETAINER, 1/4" Bolt (6)
32	9-0053	WASHER, 1/4" Internal Tooth Lock (8)
33	9-0063	NUT, 1/4-20 Hex (8)
34	1-1078	BOLT, 5/16-18 Shoulder
35	1-1079	WASHER, Spring
36	9-0187	WASHER, 5/16" Split Lock
37	9-0196	NUT, 5/16-18 Hex
38	3-1038	DUST-CAP (2)
39	9-0074	BOLT, 1/4-20 x 3/4" Short Neck Carriage, Grade 5 (6)
40	2-7713	CLIP, Retaining
41	9-0206	SCREW, 5/16-18 x 3/4" Hex Head Cap, Grade 2
42	9-0203	SCREW, 5/16-18 x 1/2" Hex Head Cap, Grade 2
43	9-0391	WASHER, 5/16" Internal Tooth Lock
44	9-0184	NUT, 5/16-18 Hex Center Lock
45	1-6648	DECAL, Snapper (1-8593 may be used) (2)
46	1-2464	DECAL, Maximum Load

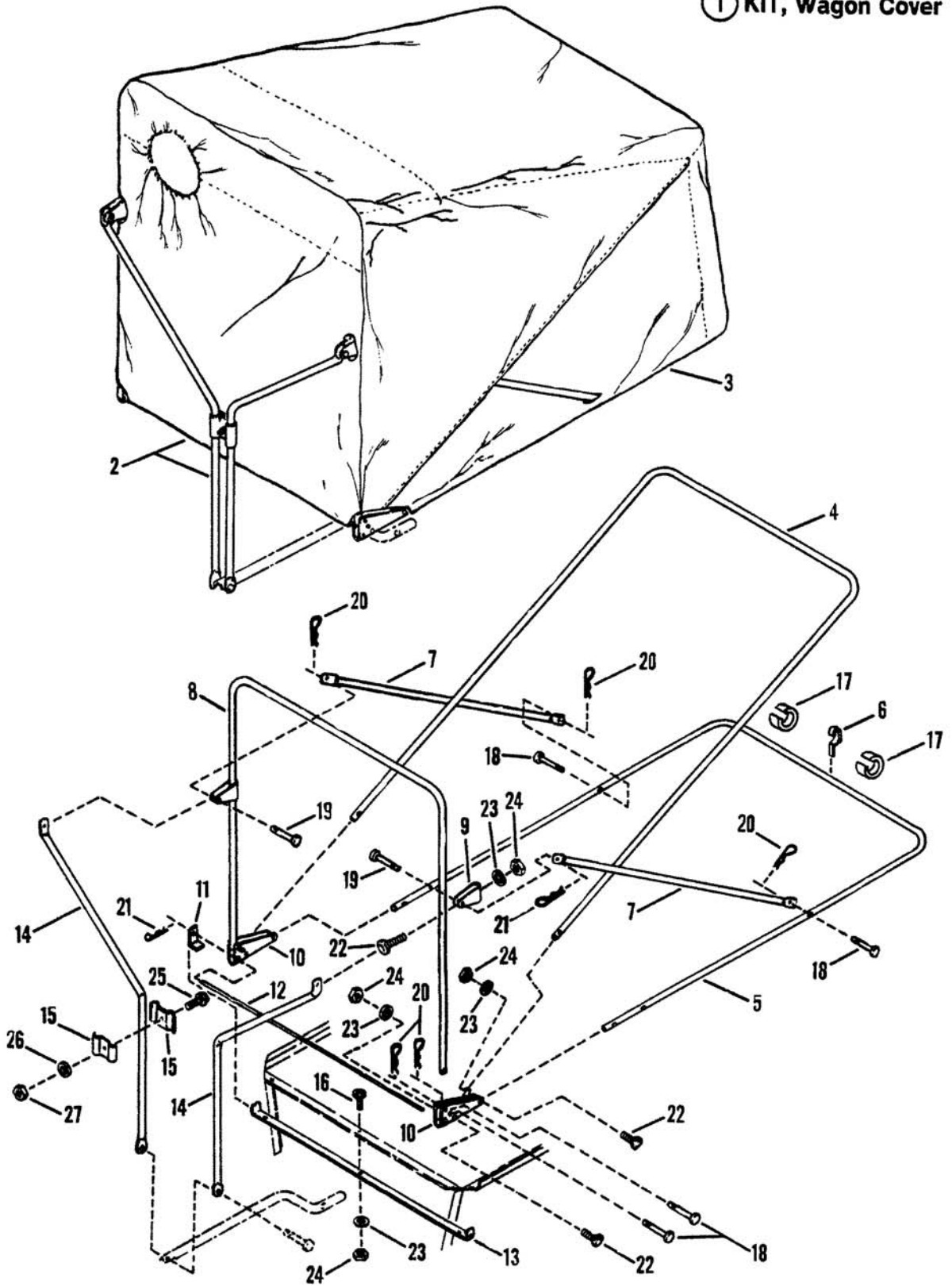
***KIT #6-0734 (Hitch Assembly)
is comprised of these items.**

**HARDWARE BAG #6-0447 is comprised of
items 11, 12, 13, 14, 15, 16, 31 and 38
shown on this page.**

See Pages 38 and 39 for Dump Wagon Kit.

**ACCESSORY, BAG-N-WAGON 6-0947
(6-0964 Cover Section)**

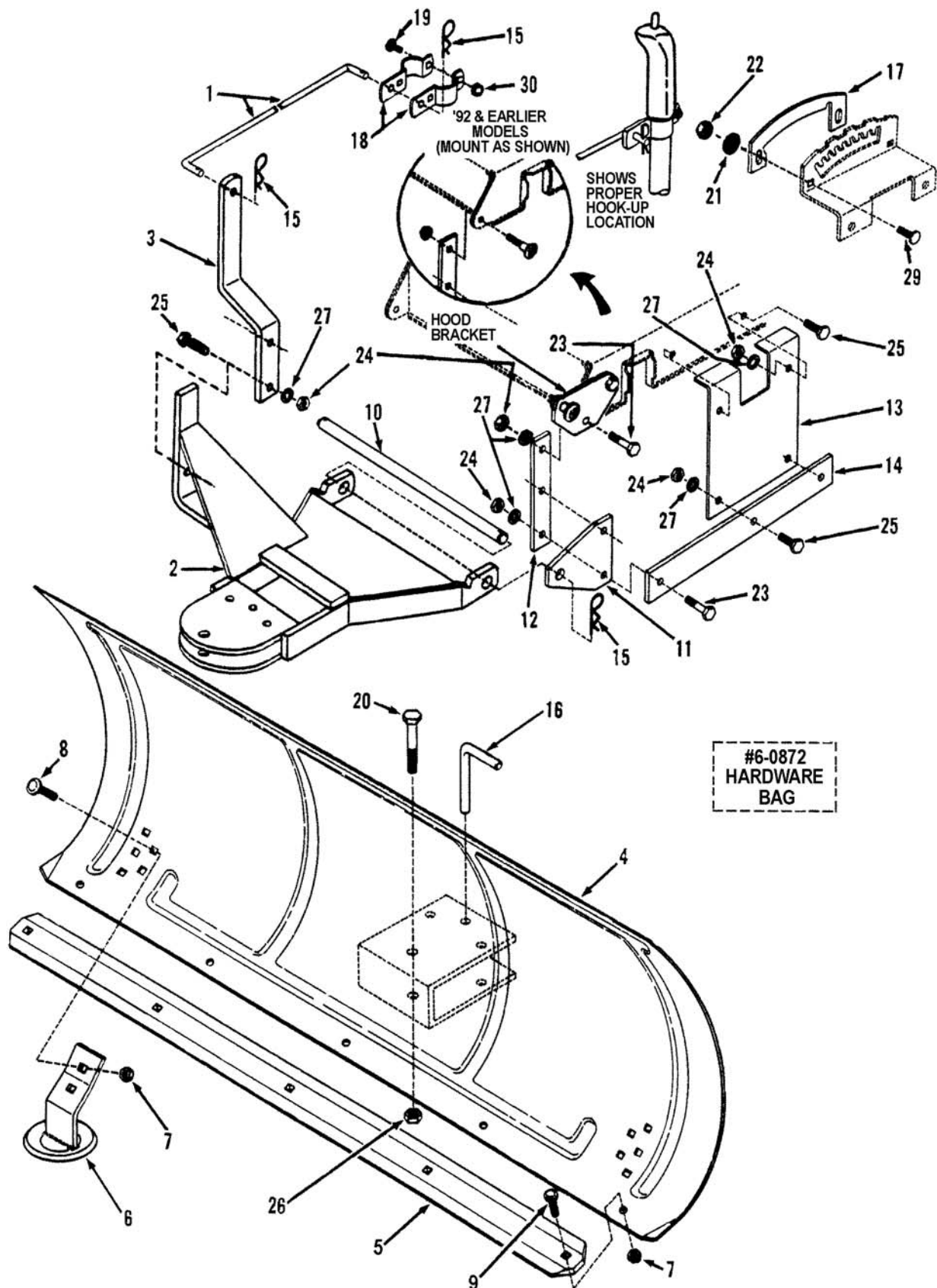
① KIT, Wagon Cover



6-0947 ACCESSORY, BAG-N-WAGON (Cover Section)

ITEM	PART NO.	DESCRIPTION
1	6-0964	KIT, Bag-N-Wagon Cover (Includes hitch assembly, chute and air lifts as well as items 2 thru 35)
2	5-1936	ASSEMBLY, Frame & Canopy (Includes items 3 thru 27)
3	2-3818	CANOPY, Cloth Only (CHARCOAL); (1-2396, White)
4	3-1943	FRAME, Center
5	3-1945	FRAME, Base
--	6-0592	BAG, Hardware (Includes indented items below)
6	3-1950	LOCK, Canopy
7	3-1941	BRACE, Frame (2)
8	3-1944	FRAME, Front
9	3-1939	CLAMP, Rod (2)
10	3-1938	BRACKET, Corner (2)
11	3-1948	CLIP, Hinge
12	2-1761	PIN, Hinge
13	3-1940	MOUNT, Hinge
14	3-1942	STRUT, Frame (2)
15	3-1956	CLAMP, Strut (2)
16	9-0074	BOLT, 1/4-20 x 3/4" Short Neck Carriage, Grade 5 (3)
17	2-3791	RING, Plastic Wear (2)
18	1-2393	PIN, 1/4 x 1-1/8" Clevis (6)
19	1-2407	PIN, 5/16 x 1-11/16" Clevis (2)
20	1-2431	HAIRPIN, 1/4" (6)
21	1-5067	HAIRPIN, 3/32 x 1-19/32" (2)
22	9-0496	BOLT, 1/4-20 1" Square Neck Carriage, Grade 2 (6)
23	9-0053	WASHER, 1/4" Internal Tooth Lock (9)
24	9-0063	NUT, 1/4-20 Hex (9)
25	9-0160	SCREW, 3/8-24 x 1" Hex Head Cap, Grade 5
26	9-0118	WASHER, 3/8" Split Lock
27	9-0155	NUT, 3/8-24 Hex, Grade 2
28	3-1951	LATCH, Tube Chute (see page 41, item 8)
29	3-1952	BASE, Handle(see page 41, item 10)
30	3-7745	HANDLE, Tube(see page 41, item 9)
31	3-7725	BRACKET, Stand-off (not shown)
32	9-0188	WASHER, 5/16" Flat (not shown) (2)
33	9-0375	WING-NUT, 5/16-18 (not shown)
34	9-0383	BOLT, 5/16-18 x 1" Square Neck Carriage, Grade 5 (not shown)
35	9-0548	BOLT, 1/4-20 x 1" Hex Head Cap, Grade 5 (not shown)
36	1-8985	TUBE, Grass (see page 41, item 4)
37	5-7816	ADAPTER, Bagger (includes Decal #4-7620) (see page 41, item 2)
38	2-3115	GRASS TUBE, Bag-N-Wagon (see page 41, item 3)
39	5-1935	ASSEMBLY, Hitch (see page 43, item 1)
40	6-0480	KIT, Air Lift (see page 41, item 6)

ACCESSORY, 36" SNOW BLADE 6-0873 (for 3-Piece Frame Tractors)



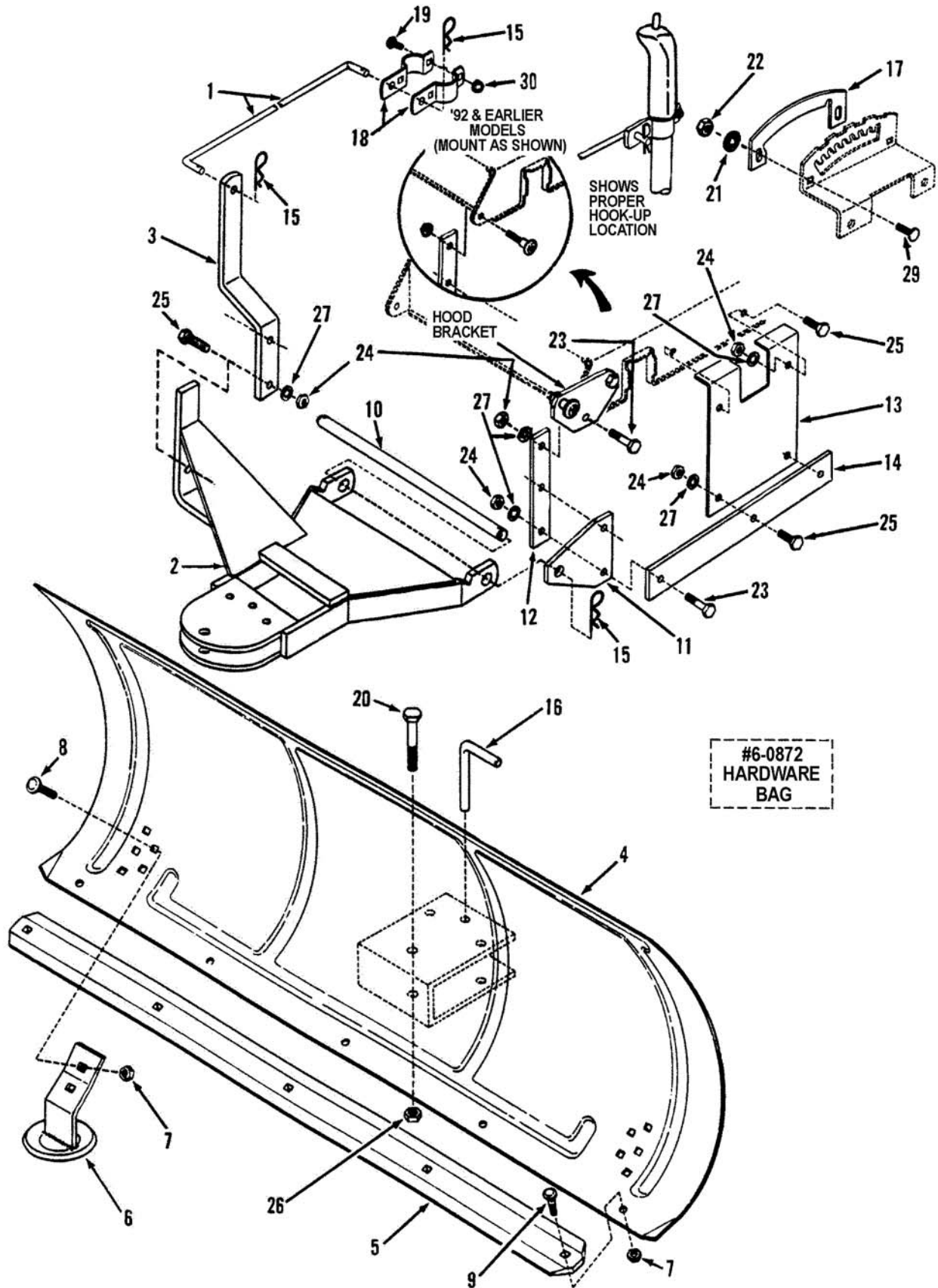
MANUAL No. 06613

LT SERIES (Small Frame)

6-0873 ACCESSORY, 36" SNOW BLADE (for 3-Piece Frame Tractors)

ITEM	PART NO.	DESCRIPTION
--	6-0873	KIT, Snow Blade (Includes items 1 thru 30)
1	3-8403	ROD, Lift
2	4-1617	WELDMENT, Bracket, 36/42 Snow Blade
3	3-4230	EXTENSION, Lift, 36/42 Snow Blade
--	5-7391	ASSEMBLY, Dozer Blade (Includes indented items below)
4	4-7727	WELDMENT, Blade
5	3-7733	SCRAPER
6	4-0445	WELDMENT, Slide (2)
7	9-0546	NUT, 3/8-15 Hex Center Lock, Grade 5 or B (9)
8	9-0747	BOLT, 3/8-16 x 1" Square Neck Carriage, Grade 2 (4)
9	9-0850	BOLT, 3/8-16 x 3/4" Short Neck Carriage, Grade 2 (5)
--	6-0930	BOX, Accessory (Includes indented items below)
10	2-1153	PIN, Holding
11	3-2725	BRACKET, Mount (2)
12	3-2726	BAR, Hanger (2)
13	3-8399	PLATE, Hanger (2)
14	3-8400	TIE BAR, Side (2)
--	6-0872	BAG, Hardware (Includes items 15 thru 30)
15	1-1714	HAIR PIN, 3/32 x 1-1/8" (4)
16	3-1002	PIN
17	3-2397	PLATE, Lockout
18	3-2763	TAB, Lift Lever (2)
19	9-0005	BOLT, 1/4-20 x 1/2" Short Neck Carriage, Grade 5 (2)
20	9-0017	SCREW, 1/2-20 x 2-3/4" Hex Head Cap, Grade 5
21	9-0053	WASHER, 1/4" Internal Tooth Lock (2)
22	9-0063	NUT, 1/4-20 Hex (2)
23	9-0143	SCREW, 3/8-16 x 1-1/4" Hex Head Cap, Grade 5 (4)
24	9-0130	NUT, 3/8-16 Hex (14)
25	9-0563	SCREW, 3/8-16 x 1" Hex Head Cap, Grade 5 (12)
26	9-0266	NUT, 1/2-20 Hex Center Lock
27	9-0390	WASHER, 3/8" Internal Tooth Lock (16)
28	2-3682	REFLECTOR, Red (2) (not shown)
29	9-0803	BOLT, 1/4-20 x 5/8" (2)
30	9-0583	NUT, 1/4-20 Hex Flange Lock (2)

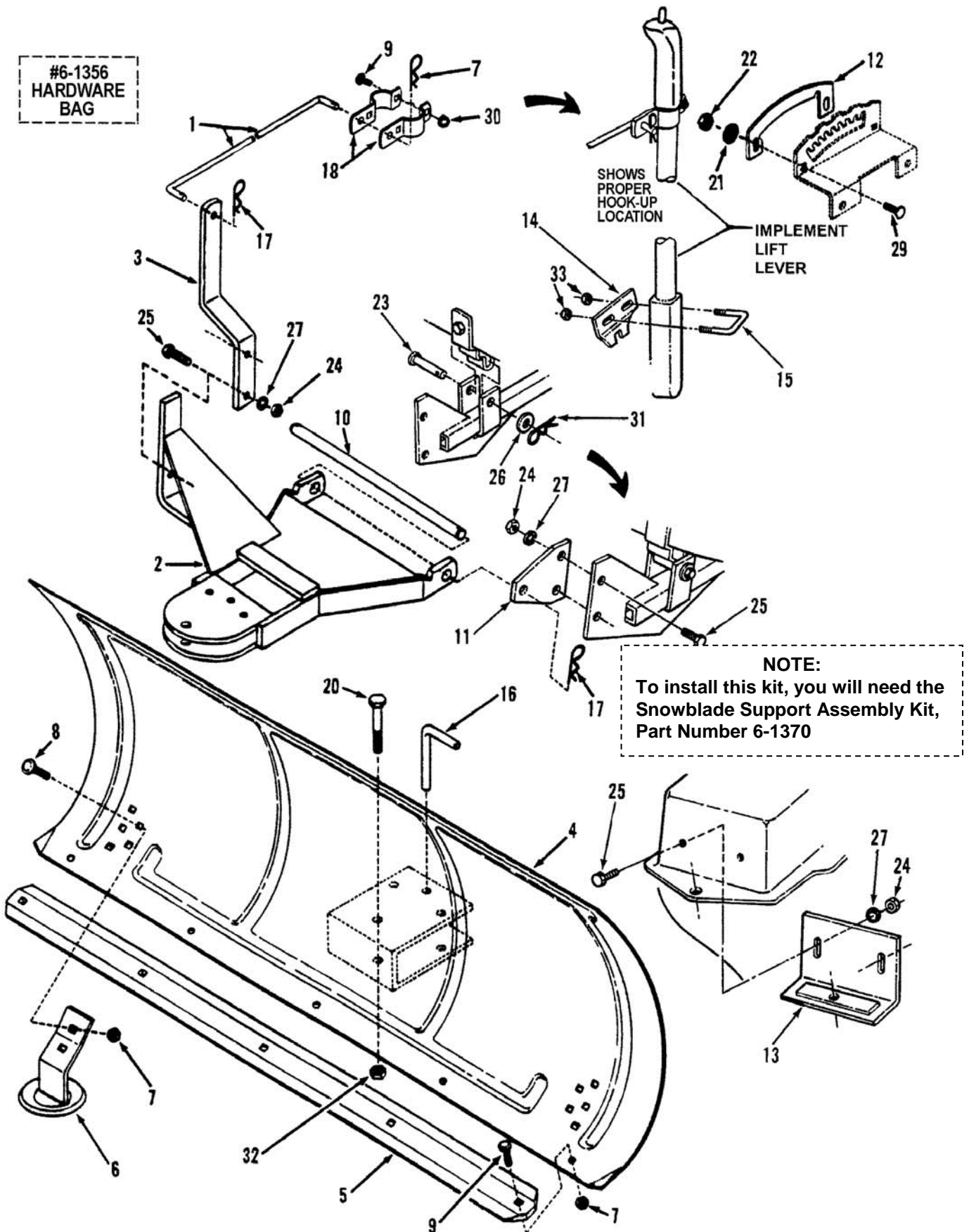
ACCESSORY, 42" SNOW BLADE 6-1347
(for 3-Piece Frame Tractors)



6-1347 ACCESSORY, 42" SNOW BLADE (for 3-Piece Frame Tractors)

ITEM	PART NO.	DESCRIPTION
--	6-1347	KIT, Snow Blade (Includes items 1 thru 30)
1	3-8403	ROD, Lift
2	4-1617	WELDMENT, Bracket, 36/42 Snow Blade
3	3-4230	EXTENSION, Lift, 36/42 Snow Blade
--	5-3388	ASSEMBLY, 42" Dozer Blade (Includes indented items below)
4	4-1616	WELDMENT, 42" Blade
5	3-8145	SCRAPER
6	4-0445	WELDMENT, Slide (2)
7	9-0546	NUT, 3/8-15 Hex Center Lock, Grade 5 or B (9)
8	9-0747	BOLT, 3/8-16 x 1" Square Neck Carriage, Grade 2 (4)
9	9-0850	BOLT, 3/8-16 x 3/4" Short Neck Carriage, Grade 2 (5)
--	6-0930	BOX, Accessory (Includes indented items below)
10	2-1153	PIN, Holding
11	3-2725	BRACKET, Mount (2)
12	3-2726	BAR, Hanger (2)
13	3-8399	PLATE, Hanger (2)
14	3-8400	TIE BAR, Side (2)
--	6-0872	BAG, Hardware (Includes items 15 thru 30)
15	1-1714	HAIR PIN, 3/32 x 1-1/8" (4)
16	3-1002	PIN
17	3-2397	PLATE, Lockout
18	3-2763	TAB, Lift Lever (2)
19	9-0005	BOLT, 1/4-20 x 1/2" Short Neck Carriage, Grade 5 (2)
20	9-0017	SCREW, 1/2-20 x 2-3/4" Hex Head Cap, Grade 5
21	9-0053	WASHER, 1/4" Internal Tooth Lock (2)
22	9-0063	NUT, 1/4-20 Hex (2)
23	9-0143	SCREW, 3/8-16 x 1-1/4" Hex Head Cap, Grade 5 (4)
24	9-0130	NUT, 3/8-16 Hex (14)
25	9-0563	SCREW, 3/8-16 x 1" Hex Head Cap, Grade 5 (12)
26	9-0266	NUT, 1/2-20 Hex Center Lock
27	9-0390	WASHER, 3/8" Internal Tooth Lock (16)
28	2-3682	REFLECTOR, Red (2) (not shown)
29	9-0803	BOLT, 1/4-20 x 5/8" (2)
30	9-0583	NUT, 1/4-20 Hex Flange Lock (2)

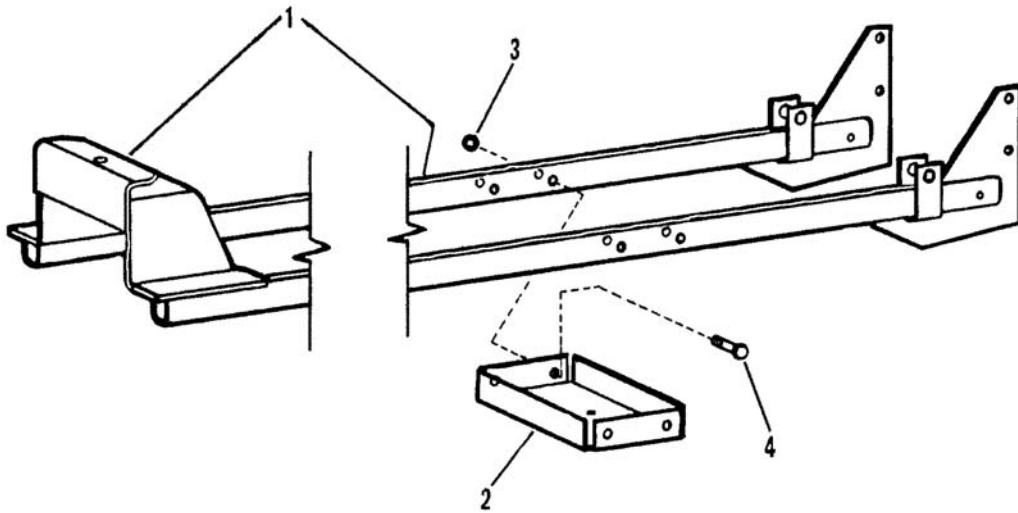
ACCESSORY, 42" SNOW BLADE 6-1352
(for 1-Piece Frame Hydro Drive Tractors)



6-1352 ACCESSORY, 42" SNOW BLADE (for 1-Piece Frame Hydro Drive Tractors)

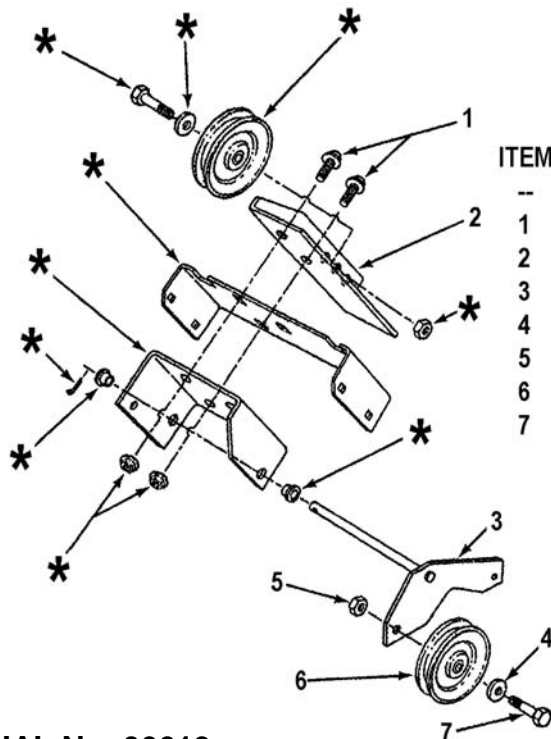
ITEM	PART NO.	DESCRIPTION
--	6-1352	KIT, Snow Blade (Includes items 1 thru 33)
1	3-8403	ROD, Lift
2	4-1617	WELDMENT, Bracket, 36/42 Snow Blade
3	3-4230	EXTENSION, Lift, 36/42 Snow Blade
--	5-3388	ASSEMBLY, 42" Dozer Blade (Includes indented items below)
4	4-1616	WELDMENT, 42" Blade
5	3-8145	SCRAPER
6	4-0445	WELDMENT, Slide (2)
7	9-0546	NUT, 3/8-15 Hex Center Lock, Grade 5 or B (9)
8	9-0747	BOLT, 3/8-16 x 1" Square Neck Carriage, Grade 2 (4)
9	9-0850	BOLT, 3/8-16 x 3/4" Short Neck Carriage, Grade 2 (5)
--	6-1354	BOX, Accessory (Includes indented items below)
10	2-1153	PIN, Holding
11	3-2725	BRACKET, Mount (2)
12	3-4105	DETENT, High Lockout
13	4-1640	WELDMENT, Frame Reinforcement
14	3-4839	BRACE, Latch (Snow)
15	9-1255	U-BOLT, 5/16-18
--	6-1356	BAG, Hardware (Includes items 16 thru 33)
16	3-1002	PIN
17	1-1714	HAIR PIN, 3/32 x 1-1/8" (4)
18	3-2763	TAB, Lift Lever (2)
19	9-0005	BOLT, 1/4-20 x 1/2" Short Neck Carriage, Grade 5 (2)
20	9-0017	SCREW, 1/2-20 x 2-3/4" Hex Head Cap, Grade 5
21	9-0053	WASHER, 1/4" Internal Tooth Lock (2)
22	9-0063	NUT, 1/4-20 Hex (2)
23	1-1768	PIN, 1/2" x 2" Clevis (3)
24	9-0130	NUT, 3/8-16 Hex (8)
25	9-0563	SCREW, 3/8-16 x 1" Hex Head Cap, Grade 5 (8)
26	9-0250	WASHER, 1/2" SAE Flat (3)
27	9-0390	WASHER, 3/8" Internal Tooth Lock (6)
28	2-3682	REFLECTOR, Red (2) (not shown)
29	9-0803	BOLT, 1/4-20 x 5/8" (2)
30	9-0583	NUT, 1/4-20 Hex Flange Lock (2)
31	1-1773	HAIR PIN, 3/32" (3)
32	9-0266	NUT, 1/2-20 Hex Center Lock
33	9-1067	NUT, 5/16-18 Hex Center Lock, Grade B (2)

ACCESSORY, SNOW BLADE SUPPORT 6-1370 (for 1-Piece Frame Hydro Drive Tractors)



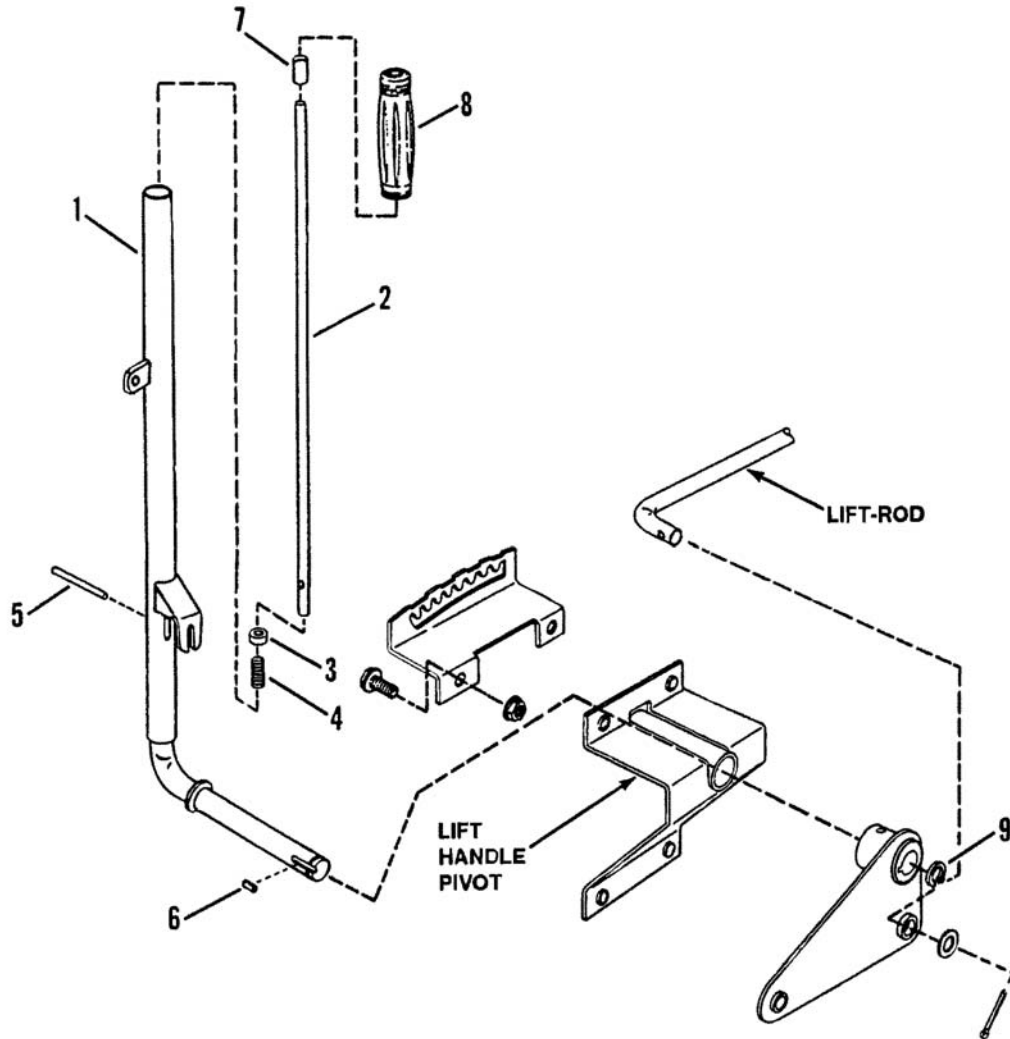
ITEM	PART NO.	DESCRIPTION
--	6-1370	KIT, Snow Blade Support (Includes all below in a box)
--	5-3443	ASSEMBLY, Snow Blade Support (Includes indented items below)
1	4-1632	WELDMENT, Support Tube
2	2-8237	PLATE, Lower Pulley Support
3	9-1585	NUT, 3/8-16 Hex Center Lock, Grade 5 or B (4)
4	9-1305	SCREW, 3/8-16 x 2" Hex Head Cap, Grade 5 (4)

ACCESSORY, SNOW THROWER SUPPORT UPDATE KIT 6-1781 (for SERIES A & B 1-Piece Frame Hydro Drive Tractors)



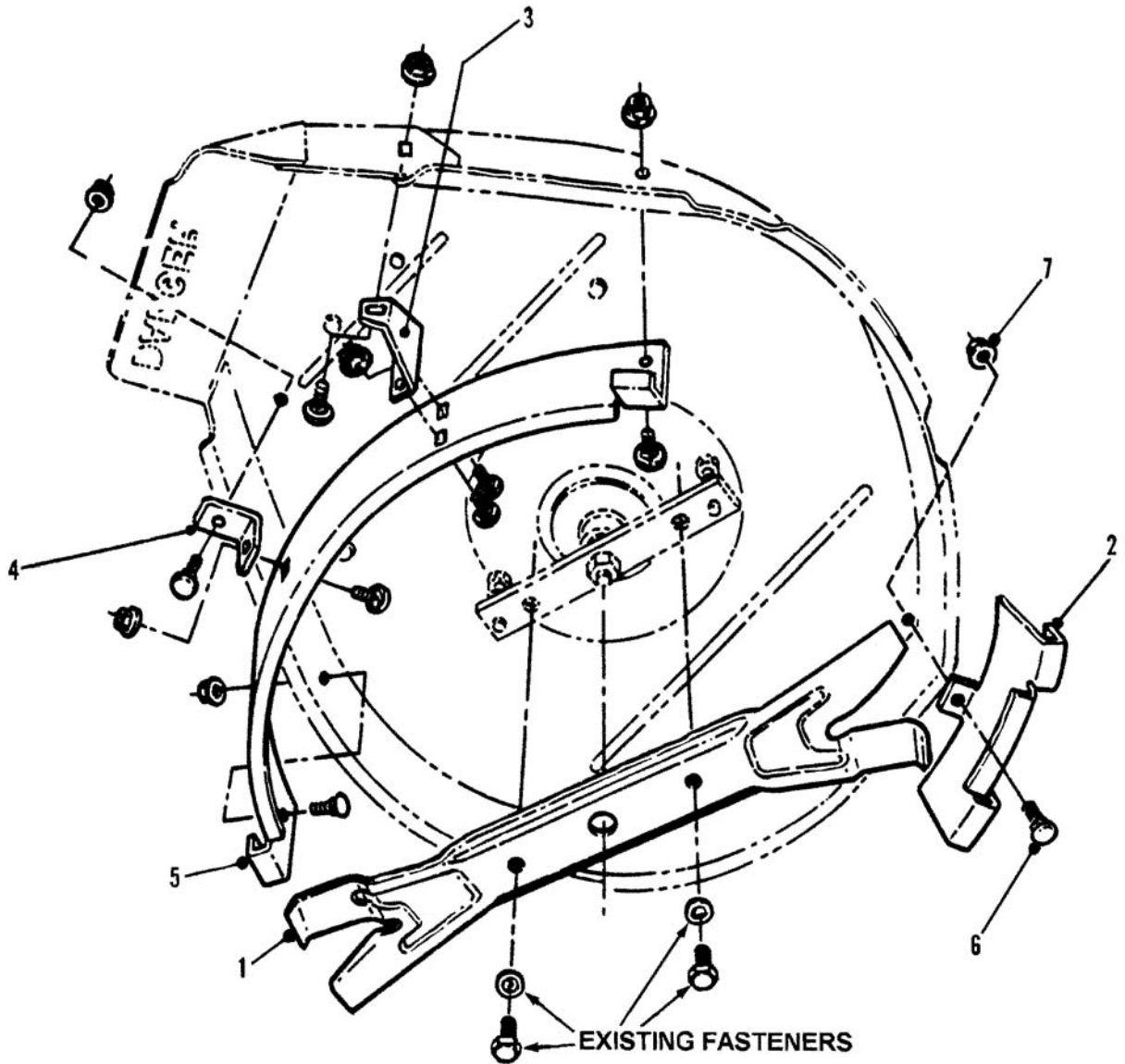
ITEM	PART NO.	DESCRIPTION
--	6-1781	KIT, Snowthrower Support Update
1	9-0569	BOLT, Hex Flange Lock 3/8-16x1 1/4" (2)
2	3-4637	BRACKET, Idler Take Up
3	4-1693	STRUCTURE, Idler Arm
4	9-0122	WASHER, Flat
5	9-1585	NUT, Hex Lock 3/8-16 YZ
6	1-8573	PULLEY, Idler "V" 3.56" O.D.
7	9-1497	BOLT, Hex 3/8-16x1 1/2" GR 5 YZ
*		Existing parts shown for reference only.

6-0720 ACCESSORY, LIFT HANDLE



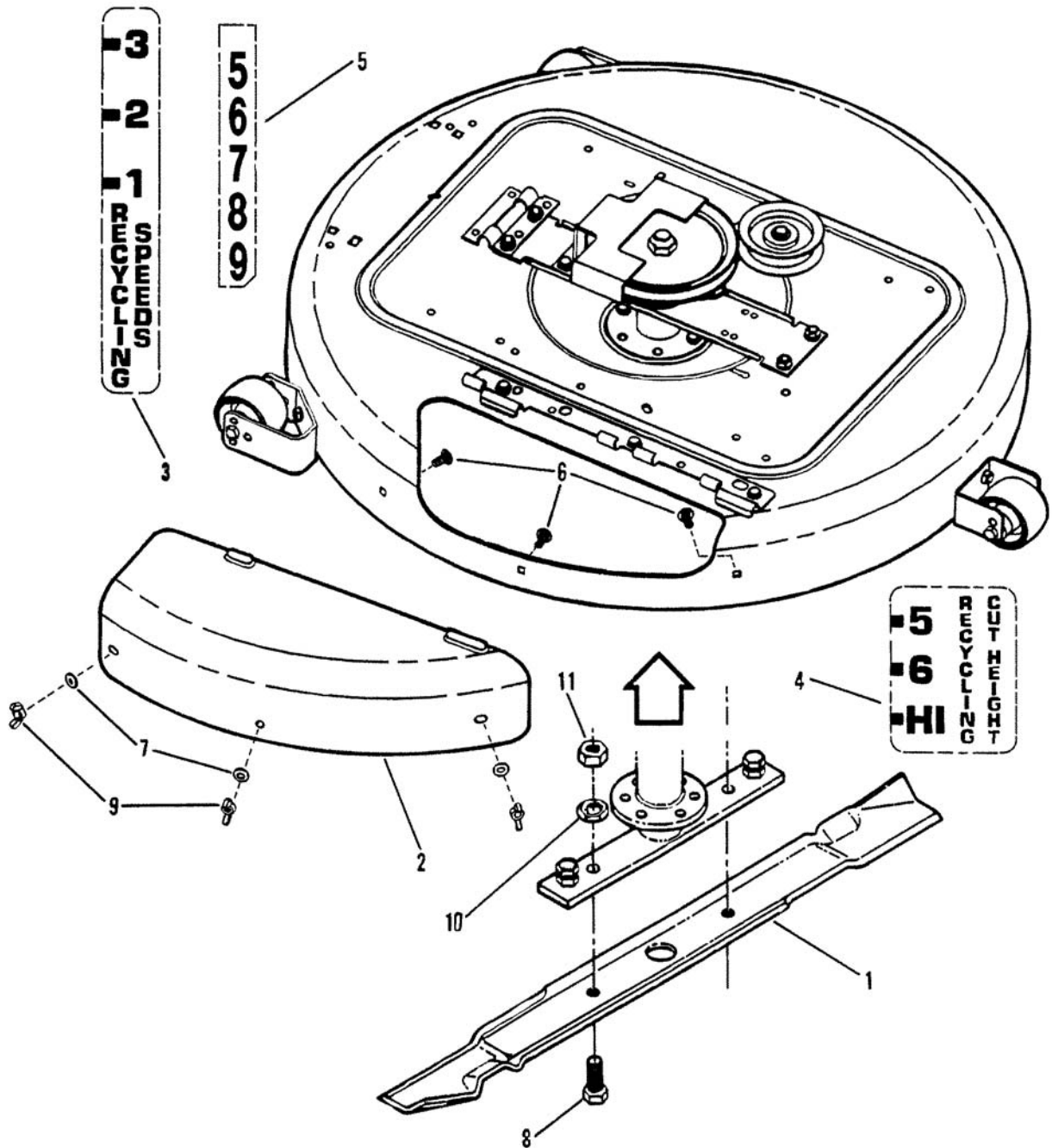
ITEM	PART NO.	DESCRIPTION
--	6-0720	KIT, Lift Handle (Includes 1 Thru 9)
1	4-7868	WELDMENT, Lift Handle
2	3-2435	PLUNGER
--	6-0720	BAG, Hardware (Includes indented items below)
3	1-5019	PLUG, Nylon
4	1-4432	SPRING
5	9-0881	PIN, 3/16 x 2" Groove
6	1-3250	KEY, 1/4 x 1" Square
7	1-4361	CAP, Lift Release
8	1-3948	GRIP, Handle
9	1-5020	RING, 7/8" External Retaining

ACCESSORY, 30" RECYCLE KIT 6-1254



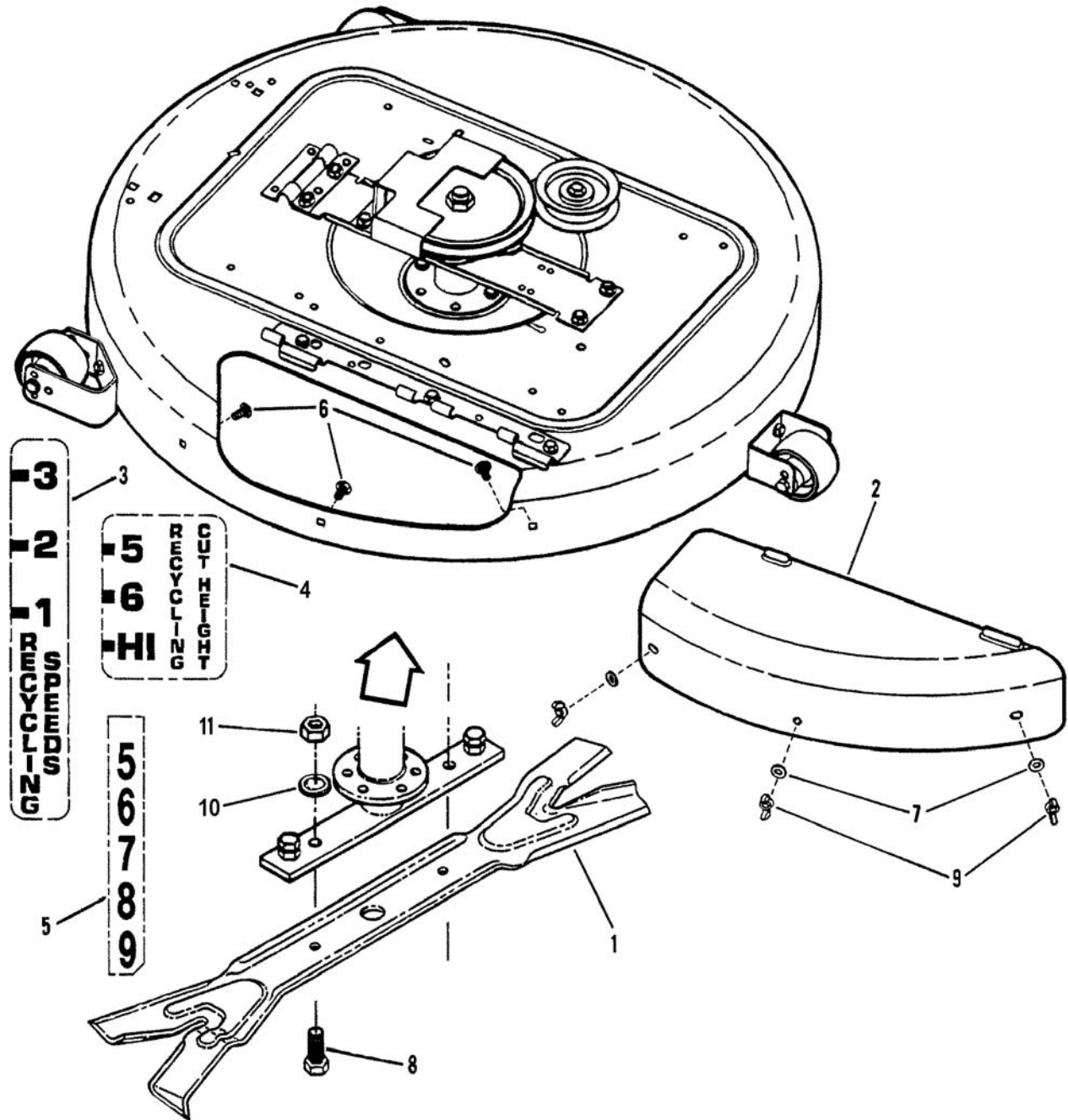
ITEM	PART NO.	DESCRIPTION
--	6-1254	KIT, 30" Recycle (Includes items 1 Thru 7)
1	2-6565	BLADE, 30" Ninja
2	3-3996	BAFFLE, 30" Deck
3	3-3997	ANGLE, 30" Deck Brace
4	3-3998	ANGLE, 30" Deck Brace
5	3-3999	BAFFLE, 30" Deck
--	6-1301	BAG, Hardware (Includes items listed below)
6	9-1026	BOLT, 5/16-18 x 5/8" Short Neck carriage, Grade 5 (8)
7	9-1070	NUT, 5/16-18 Hex Flange (8)

6-1051 ACCESSORY, 33" RECYCLE KIT



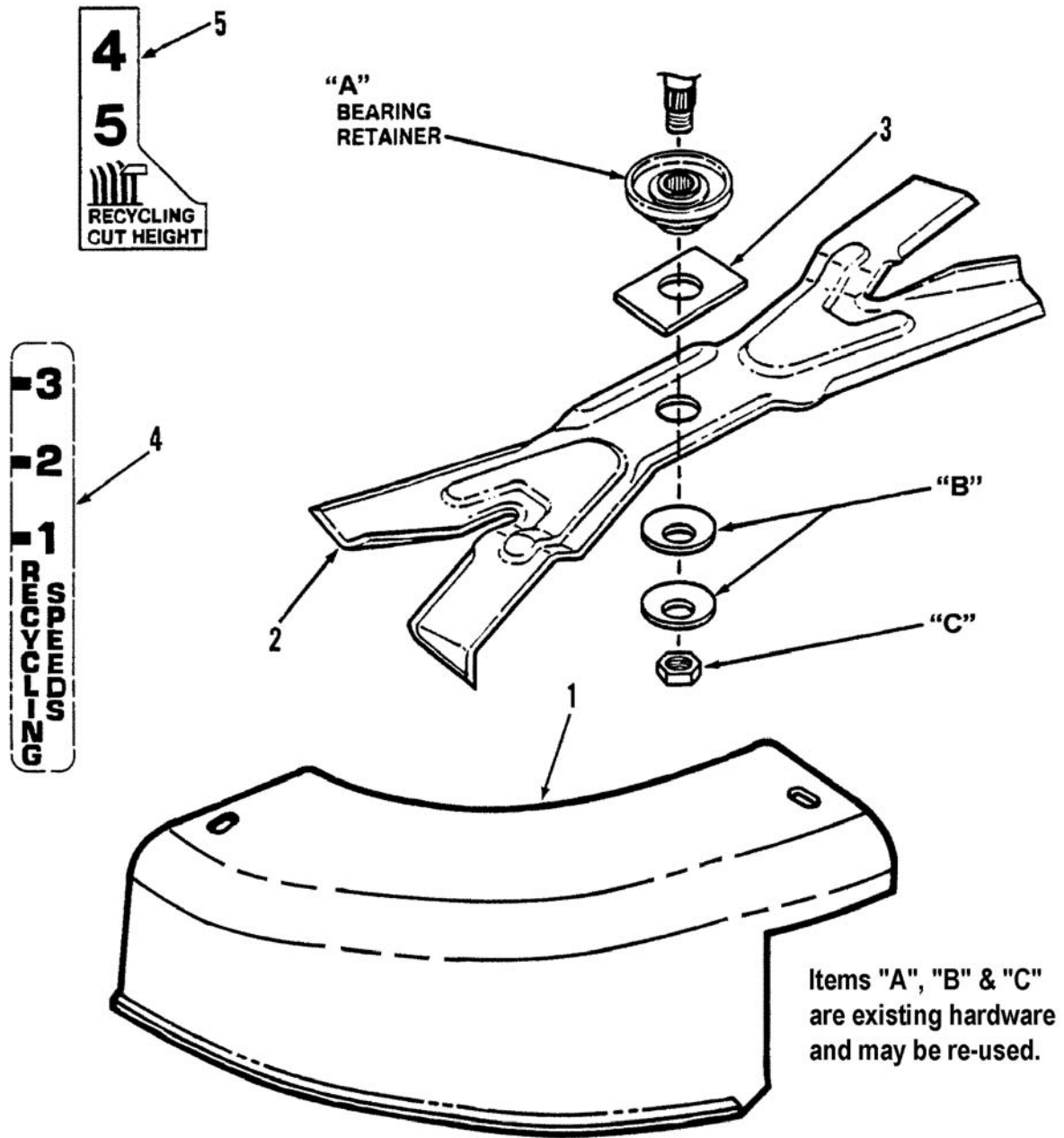
ITEM	PART NO.	DESCRIPTION	ITEM	PART NO.	DESCRIPTION
--	6-1051	KIT, 33" Recycle (Incl. 1-11)	6	9-0001	BOLT, 5/16-18 x 3/4" Short Neck Carriage, Grade 5 (3)
1	1-6982	BLADE, 33" Recycling	7	9-0188	WASHER, 5/16" Flat (3)
2	1-6984	COVER, 33" Side Chute	8	9-0392	SCREW, 1/2-20 x 1" Hex Head Cap, Grade 5 (2)
--	6-1093	BAG, Hardware (Incl. 3-11)	9	9-0492	WING-NUT, 5/16-18 (3)
3	1-7176	DECAL, Recy. Ground Speed	10	9-0509	WASHER, 1/2" Internal Tooth (2)
4	1-7328	DECAL, Recycling Ht. of Cut	11	9-0559	NUT, 1/2-20 Hex Jam (2)
5	2-2325	DECAL, Cut Height			

ACCESSORY, 33" NINJA RECYCLE KIT 6-1255



ITEM	PART NO.	DESCRIPTION	ITEM	PART NO.	DESCRIPTION
--	6-1255	KIT, 33" Recycle (Incl. 1-11)	6	9-0001	BOLT, 5/16-18 x 3/4" Short Neck Carriage, Grade 5 (3)
1	2-4741	BLADE, 33" Ninja Recycling	7	9-0188	WASHER, 5/16" Flat (3)
2	1-6984	COVER, 33" Side Chute	8	9-0392	SCREW, 1/2-20 x 1" Hex Head Cap, Grade 5 (2)
--	6-1271	BAG, Hardware (Incl. 3-11)	9	9-0492	WING-NUT, 5/16-18 (3)
3	1-7176	DECAL, Recy. Ground Speed	10	9-0509	WASHER, 1/2" Internal Tooth (2)
4	1-7328	DECAL, Recycling Ht. of Cut	11	9-0559	NUT, 1/2-20 Hex Jam (2)
5	2-2325	DECAL, Cut Height			

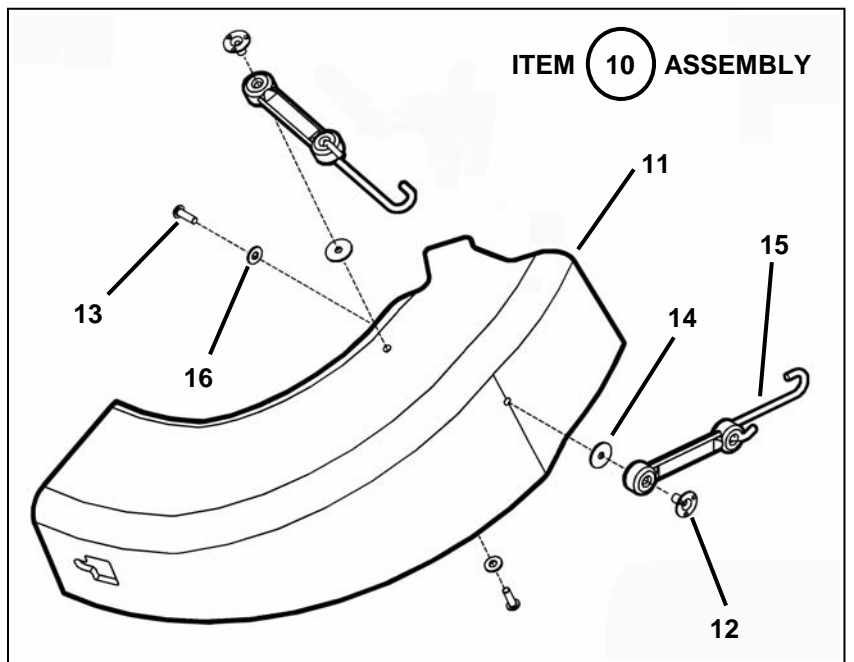
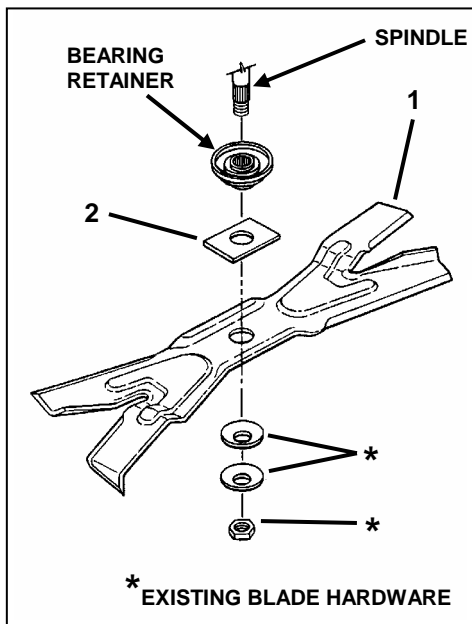
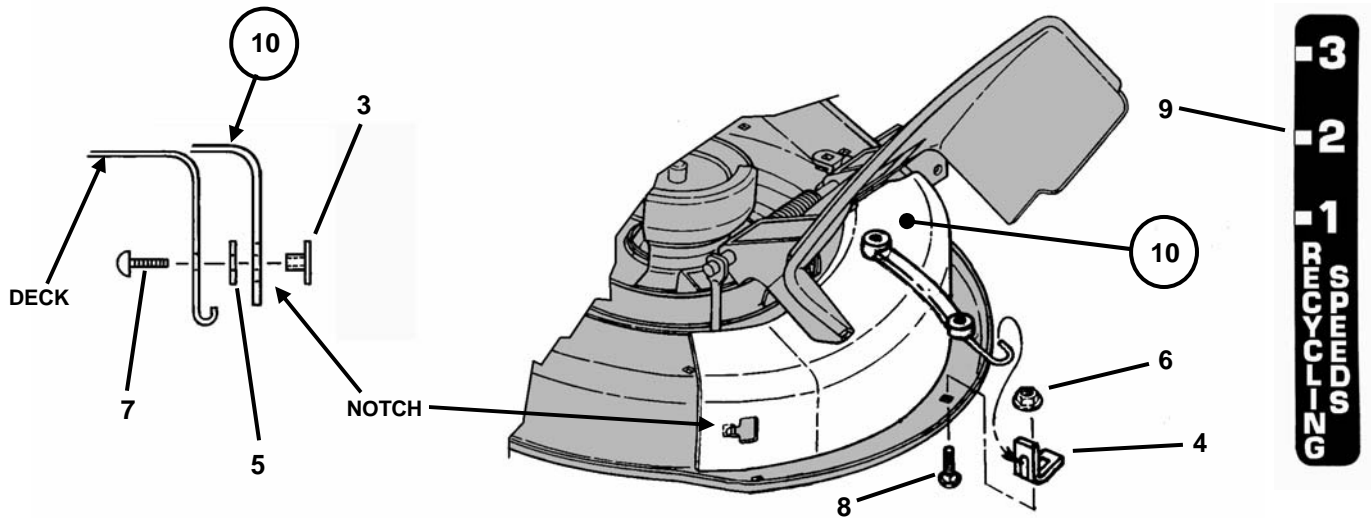
6-1257 ACCESSORY, 38" RECYCLE/MULCHER KIT



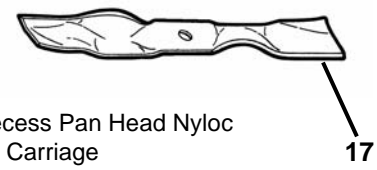
ITEM	PART NO.	DESCRIPTION
--	6-1257	KIT, 38" Recycle/Mulcher (Includes items 1 thru 5)
1	2-6198	COVER, 38" Mulching Deck
2	2-6597	BLADE, 19-1/2" Ninja (2)
3	2-6749	WASHER, Ninja Blade (2)
4	1-7176	DECAL, Recycling Ground Speed
5	2-6768	DECAL, Height of Cut

Note: This decal used only on "Ground Following" decks.

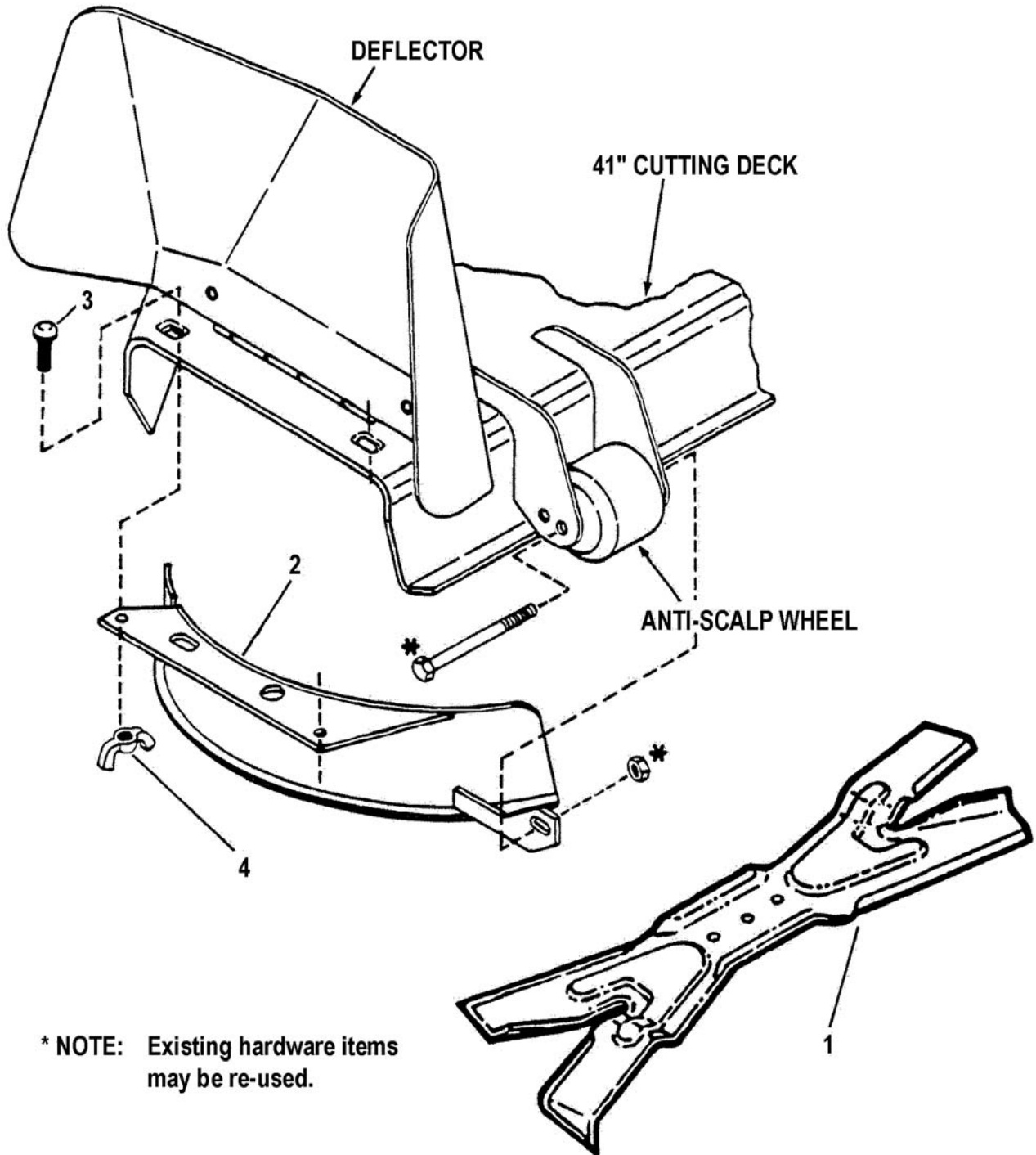
ACCESSORY, 38" RECYCLE KITS 6-1877/6-1878



ITEM	PART NO.	DESCRIPTION
-	6-1877	KIT, Wave Recycling (38" Models) (Incl. Items 3 Thru 17)
-	6-1878	KIT, Ninja Recycling (38" Models) (Includes Items 1 Thru 10)
1	2-6597	BLADE, 19-1/2" Ninja (Quad Edge)
2	2-6749	WASHER, Ninja Blade (2)
3	3-6543	TEENUT, 5/16-18
4	4-5178	BRACKET, Strap Mounting
5	9-1296	WASHER, 5/16" Flat
6	9-1619	NUT, 3/8-16 Hex Flange Lock
7	9-1833	SCREW, 5/16-18 x 5/8" Cross Recess Pan Head Nyloc
8	9-1923	BOLT, 3/8-16 x 3/4" Square Neck Carriage
9	1-7176	DECAL, Recycling Ground Speeds
10	5-4334	ASSEMBLY, Mulching Cover & Strap (Incl. items 11 thru 16)
11	2-9398	COVER, Mulching (38" Deck)
12	3-6404	NUT, #10-24 Weld (2)
13	3-6415	SCREW, #10-24 Pan Head Cross Recess (2)
14	3-6422	WASHER, .190 I.D., 3/4" O.D. Flat (2)
15	3-6433	STRAP, Bag Adapter Mounting (2)
16	9-1552	WASHER, .219 I.D., 1/2" O.D. (2)
17	3-6548	BLADE, 19.64" Mulching Wave (2)

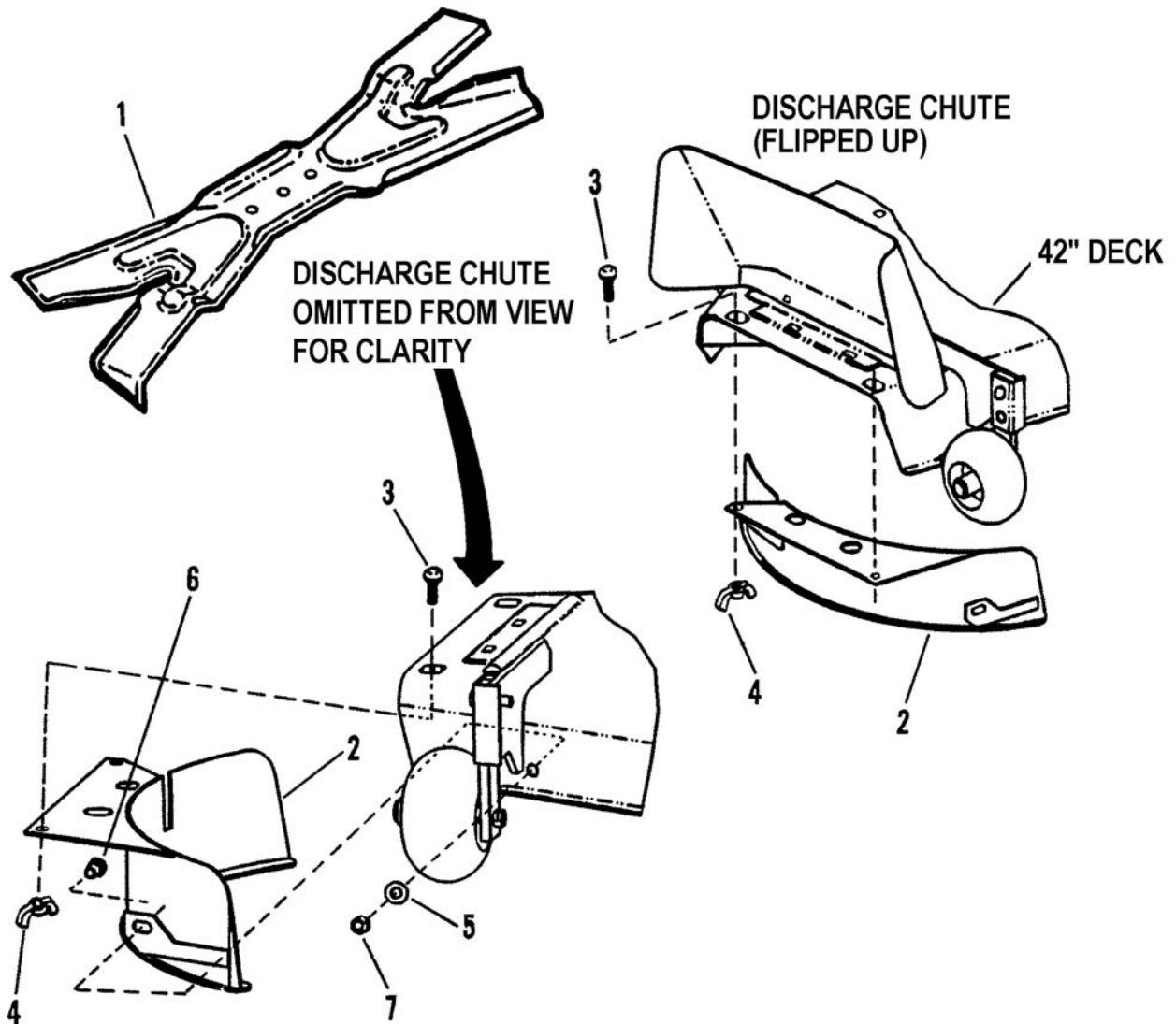


6-1220 ACCESSORY, 41" RECYCLE KIT



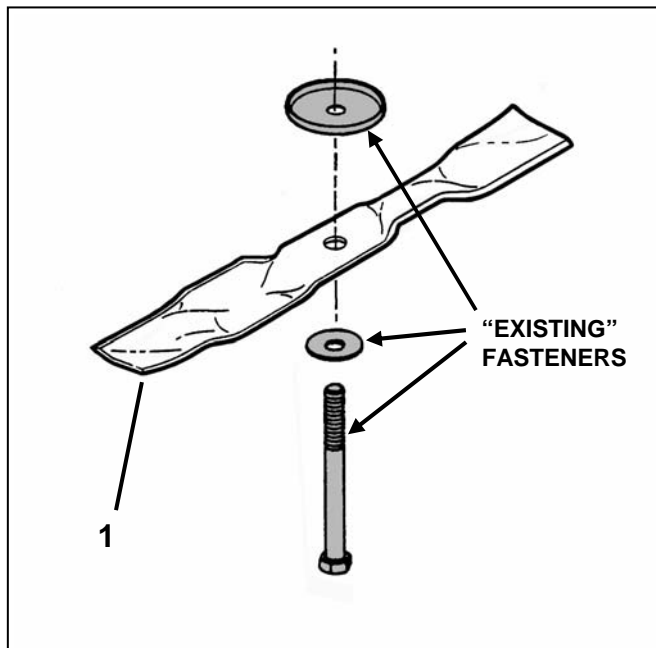
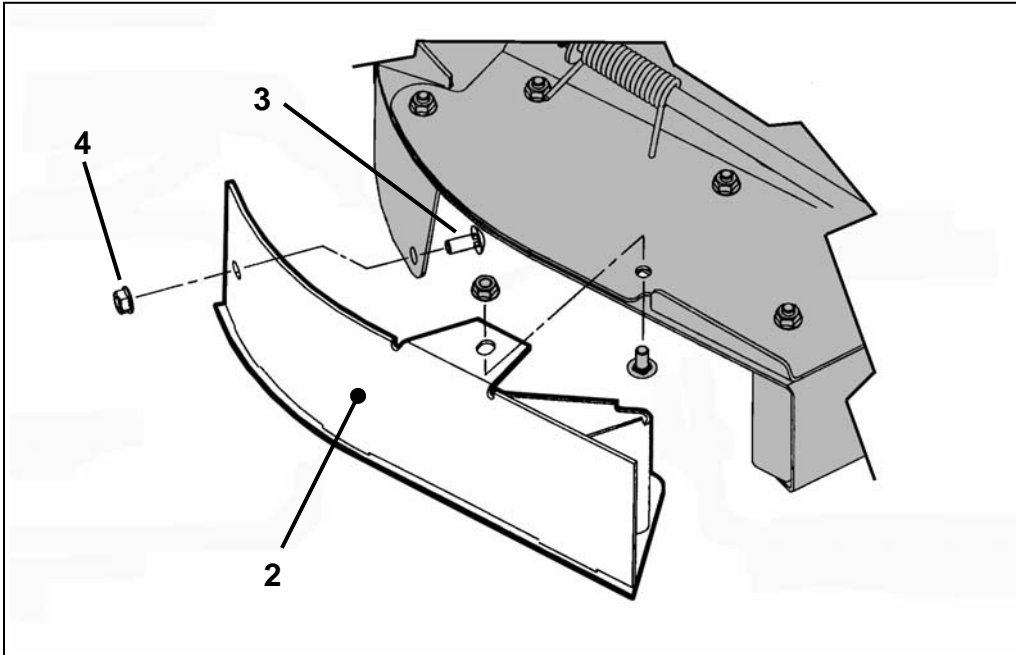
ITEM	PART NO.	DESCRIPTION
--	6-1220	KIT, 41" Recycle (Includes items 1 thru 4)
1	2-6407	BLADE, 21" Ninja (2)
2	4-1372	COVER, 41" Recycling
3	9-0316	BOLT, 5/16-18 x 3/4" Square Neck Carriage, Grade 5 (2)
4	9-0375	WING-NUT, 5/16-18 (2)

**6-1987 ACCESSORY, 42" RECYCLE KIT
(for Series D and later models)**



ITEM	PART NO.	DESCRIPTION
--	6-1987	KIT, 42" Recycle (Includes items 1 thru 7)
1	2-6407	BLADE, 21" Ninja (2)
2	4-5087	WELDMENT, 42" Recycling Cover
3	9-0316	BOLT, 5/16-18 x 3/4" Square Neck Carriage, Grade 5 (2)
4	9-0375	WING-NUT, 5/16-18 (2)
5	9-1514	WASHER, 3/8" SAE Flat
6	9-1585	NUT, 3/8-16 Hex Center Lock, Grade 5 or B
7	9-1588	BOLT, 3/8-16 x 3/4" Hex Flange Lock, Grade 5

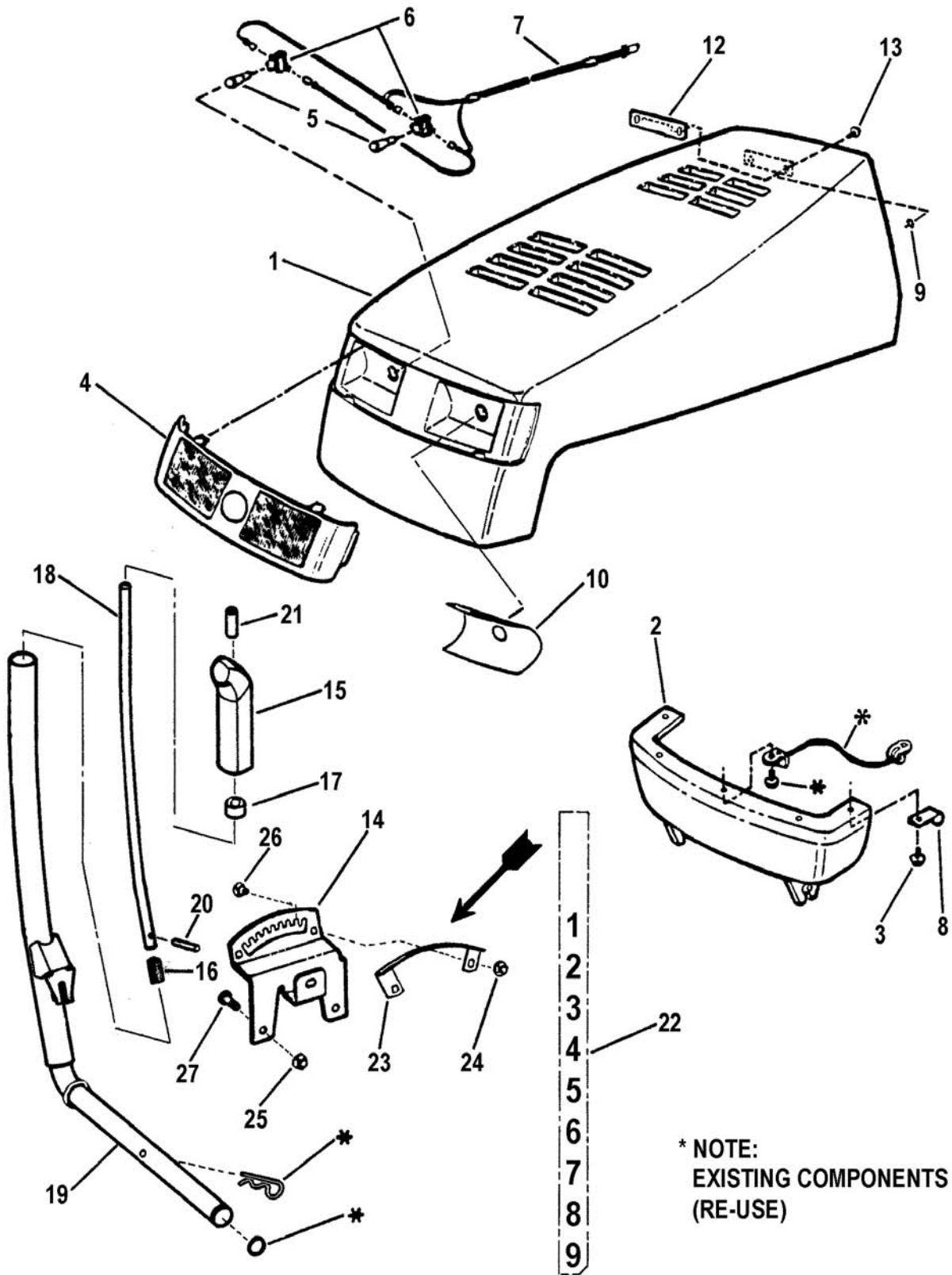
6-3110 ACCESSORY 48" (WAVE) MULCHING



NOTE: A 11/32" diameter hole must be drilled to install Mulching Cover. Refer to kit instructions.

ITEM	PART NO.	DESCRIPTION
-	6-3110	KIT, (Includes Items 1 Thru 4)
1	7-3287	BLADE, Mulching (Positive Wave, 5/8" Hole, 16-1/2" Length) (3)
2	5-8276	WELDMENT, Mulching Cover
3	9-1508	BOLT, 5/16-18 x 3/4" Short Neck Carriage, Grade 5
4	9-1601	NUT, 5/16-18 Hex Flange Lock, Grade 5

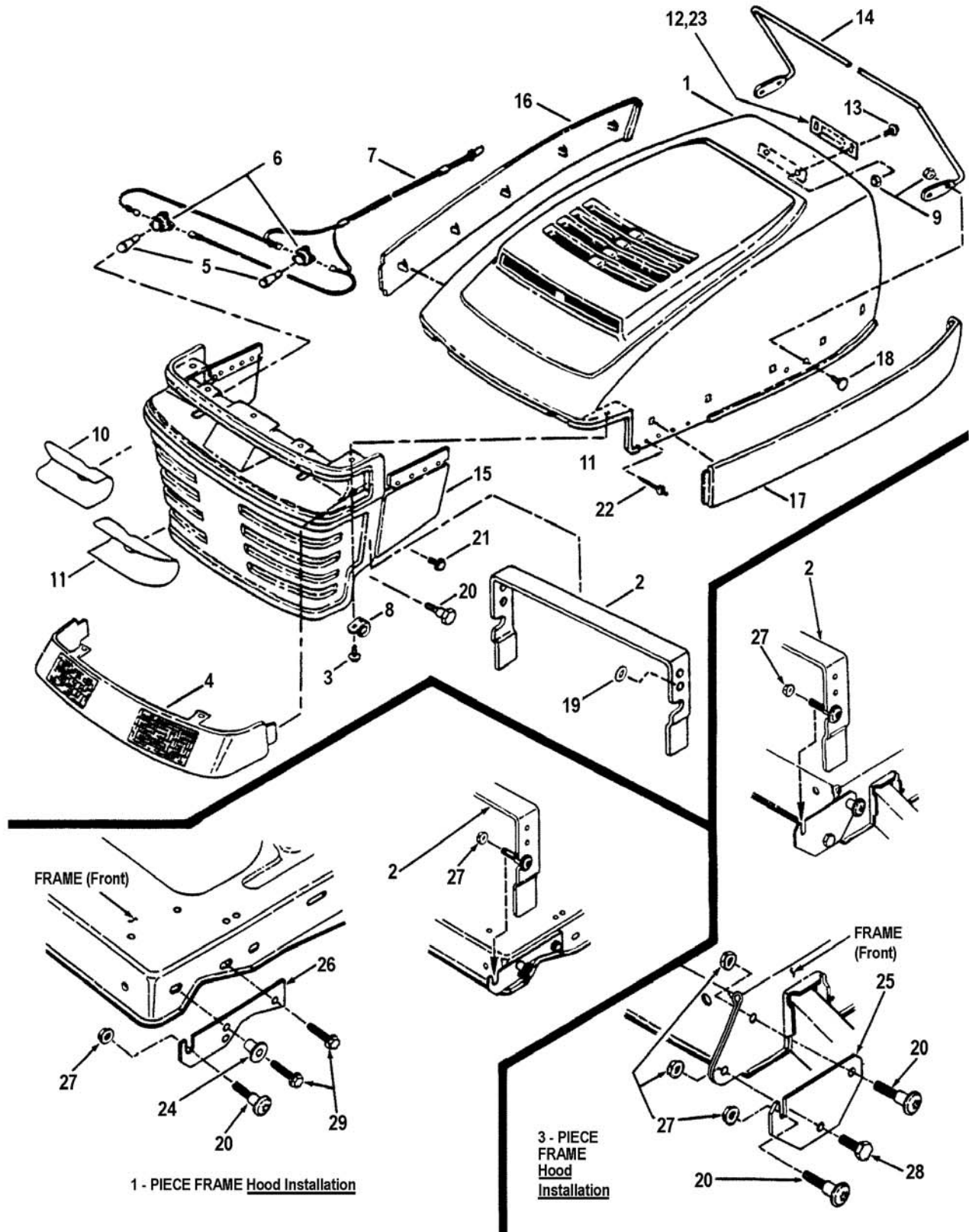
ACCESSORY, HOOD REPLACEMENT KIT 61094 (for Series 0 Gear Drive models)



6-1094 ACCESSORY, HOOD REPLACEMENT KIT (for Series 0 Gear Drive models)

ITEM	PART NO.	DESCRIPTION
--	6-1094	KIT, LT Hood Update (Includes all items listed below)
--	5-2921	ASSEMBLY, OPPLT Hood (Includes items 1 thru 13)
1	2-4605	HOOD, LT-Modified
2	2-9620	SUPPORT, Hood
3	9-1106	SCREW, M4.8 x 1.59 x 16.00mm Sems (5)
4	2-4893	LENS, Black Bezel
5	2-6172	LAMP, 1141 (2)
6	2-4709	SOCKET, Headlight (Snap-in) (2)
7	2-6171	HARNESS, Headlight Wiring (M & G Sockets)
8	2-6482	CLIP, "J" (open type)
9	7-6978	NUT, 1/4-20 Hex Nyloc (2)
10	1-7174	DECAL, R.H. Lens
11	1-7175	DECAL, L.H. lens
12	2-4718	LATCH, Spring
13	9-0999	SCREW, 1/4-20 x 5/8" Truss Head Torx (2)
14	3-3307	QUADRANT, Lift
15	1-9363	KNOB, Lift Handle
--	5-2498	ASSEMBLY, Lift Handle (Includes items 16 thru 20)
16	1-4432	SPRING
17	1-5019	PLUG, Nylon
18	3-3047	ROD, Lift Lever
19	4-0698	WELDMENT, Lift Handle
20	9-0881	PIN, 3/16 x 2" Groove
--	6-1095	BAG, Hardware (Includes items 21 thru 27)
21	1-4361	CAP, Lift Rod
22	1-7445	DECAL, Cut Height
23	3-3176	INDICATOR, Cut Height
24	9-0583	NUT, 1/4-20 Hex Flange Lock (2)
25	9-0585	NUT, 5/16-18 Hex Flange Lock, Grade 5 (2)
26	9-0803	SCREW, 1/4-20 x 5/8" Flat Head Square Neck, Grade 2 (2)
27	9-1000	SCREW, 5/16-18 x 7/8" Truss Head Torx (2)

ACCESSORY, HOOD REPLACEMENT KIT 6-1383
(for 1 & 3-Piece Frame models)



6-1383 ACCESSORY, HOOD REPLACEMENT KIT (for 1 & 3-Piece Frame models)

ITEM	PART NO.	DESCRIPTION
--	6-1383	KIT, LT Mozart Hood Replacement (Includes all items listed below)
--	5-3525	ASSEMBLY, Hood, Mozart-Scoop (Includes items 1 thru 22)
1	2-6406	HOOD, Mozart-Scoop-Red
2	3-4324	BRACE, Hood Support/Stop
3	9-1106	SCREW, M4.8 x 1.59 x 16.00mm Sems (5)
4	2-9602	LENS, Rippled-Sloped
5	2-6172	LAMP, 1141 (2)
6	2-4709	SOCKET, Headlight (Snap-in) (2)
7	2-6171	HARNESS, Headlight Wiring (M & G Sockets)
8	2-6482	CLIP, "J" (open type)
9	7-6978	NUT, 1/4-20 Hex Nyloc (6)
10	2-6179	DECAL, R.H. Lens/Reflector
11	2-6180	DECAL, L.H. Lens/Reflector
12	2-4718	LATCH, Spring (for 1-Piece Frame)
13	9-0999	SCREW, 1/4-20 x 5/8" Truss Head Torx (2)
14	1-6766	ROD, Hood Support
15	2-9570	GRILL, Sloped-Black
16	2-9571	PANEL, R.H. Side-Black
17	2-9572	PANEL, L.H. Side-Black
18	9-0803	BOLT, 1/4-20 x 5/8" Flat Head Square Neck, Grade 2 (4)
19	1-3847	RETAINER, 3/8" Bolt (2)
20	2-4061	BOLT, 3/8-16 Shoulder (2, plus 2 in hardware bag)
21	9-0858	SCREW, 5/16-18 x 1/2" Hex Washer Self-tap (4)
22	9-1095	POP RIVET, 1/8 x 3/8" (8)
--	6-1384	BAG, Hardware (Includes items 23 thru 29)
23	1-7359	CLIP, Hood Latch (for 3-Piece Frame)
24	2-4616	BUSHING, Flange (2)
25	2-8932	BRACKET, Hood, Mozart LTH (2)
26	3-3488	BRACKET, Hood Pivot (2)
27	9-0613	NUT, 3/8-16 Hex Flange Lock (4)
28	9-1086	BOLT, 3/8-16 x 3/4" Hex Head, Grade 5 (2)
29	9-1151	SCREW, 5/16-18 x 1-1/4" Hex Washer Self-tap (2)

OTHER ACCESSORY KITS

KIT No.	DESCRIPTION
3-2392	TOOL, Smooth Clutch -used to replace rubber disc without bending it's hub which causes vibration
6-0327	KIT, Wheel Hub Puller -to pull LTD wheel hubs
6-0694	KIT, Yoke Spring Attachment -to increase life of the driven disc
6-1000	KIT, Reverse Assist (for LT12D Series) -to replace Shift Link Spring for greater shifting control
6-1025	KIT, Brake Cable Extension (for LT12D Series)
6-1163	KIT, Cold Starting (for Hydro Drive Series) -to provide easier starting in cold weather by disengaging the traction drive belt
6-0691	KIT, Chute Brace (for Snow Thrower Attachment)
6-1289	KIT, 30" Cutting Deck Replacement (for Gear Drive models) -Includes Deck, Spindle, Belt and Blade
6-1288	KIT, 33" Cutting Deck Replacement (for Gear Drive models) -Includes Deck, Spindle, Belt and Blade
6-1290	KIT, 38" Cutting Deck Replacement (for Gear Drive models) -Includes Deck, Spindles, Belt and Blades
6-1314	KIT, 38" Ground Following Cutting Deck Replacement (Hydro Drive models) -Includes Deck, Spindles, Belt, Blades and Roller
6-1299	KIT, 38" Ground Following Cutting Deck Replacement (for Gear Drive models) -Includes Deck, Spindles, Belt, Blades and Roller
6-1283	KIT, 42" Cutting Deck Replacement (for Gear Drive models) -Includes Deck, Spindles, Belt and Blades
6-1266	KIT, 48" Cutting Deck Replacement (for Hydro Drive models) -Includes Deck, Spindles, Belts and Blades
6-1355	KIT, LTD Pivot Arm Replacement -limits yoke rotation into rubber disc and binding on chain case pin
6-1787	KIT, Drive Disc Alignment Gauge -to check for misalignment of driven disc, which can cause early cracking and chunking of rubber driven disc

Parts Manual for

LAWN TRACTOR ACCESSORIES

**FOR ALL SMALL FRAME LAWN TRACTORS
WITH DISC, GEAR & HYDRO DRIVE
SERIES 0, 1, 2 & SERIES A, B, C, D, E, G, H, I**

IT IS THE POLICY OF SNAPPER TO IMPROVE ITS PRODUCTS WHENEVER IT IS POSSIBLE AND PRACTICAL TO DO SO. WE RESERVE THE RIGHT TO MAKE CHANGES OR ADD IMPROVEMENTS AT ANY TIME WITHOUT INCURRING ANY OBLIGATION TO MAKE SUCH CHANGES ON PRODUCTS MANUFACTURED PREVIOUSLY.

SNAPPER® McDonough, GA., 30253 U.S.A.

COPYRIGHT © 2003
SNAPPER PRODUCTS INC.
ALL RIGHTS RESERVED

MANUAL No. 06613

(Rev. 1, 1/24/03)

Printed in U.S.A.

Free Manuals Download Website

<http://myh66.com>

<http://usermanuals.us>

<http://www.somanuals.com>

<http://www.4manuals.cc>

<http://www.manual-lib.com>

<http://www.404manual.com>

<http://www.luxmanual.com>

<http://aubethermostatmanual.com>

Golf course search by state

<http://golfingnear.com>

Email search by domain

<http://emailbydomain.com>

Auto manuals search

<http://auto.somanuals.com>

TV manuals search

<http://tv.somanuals.com>