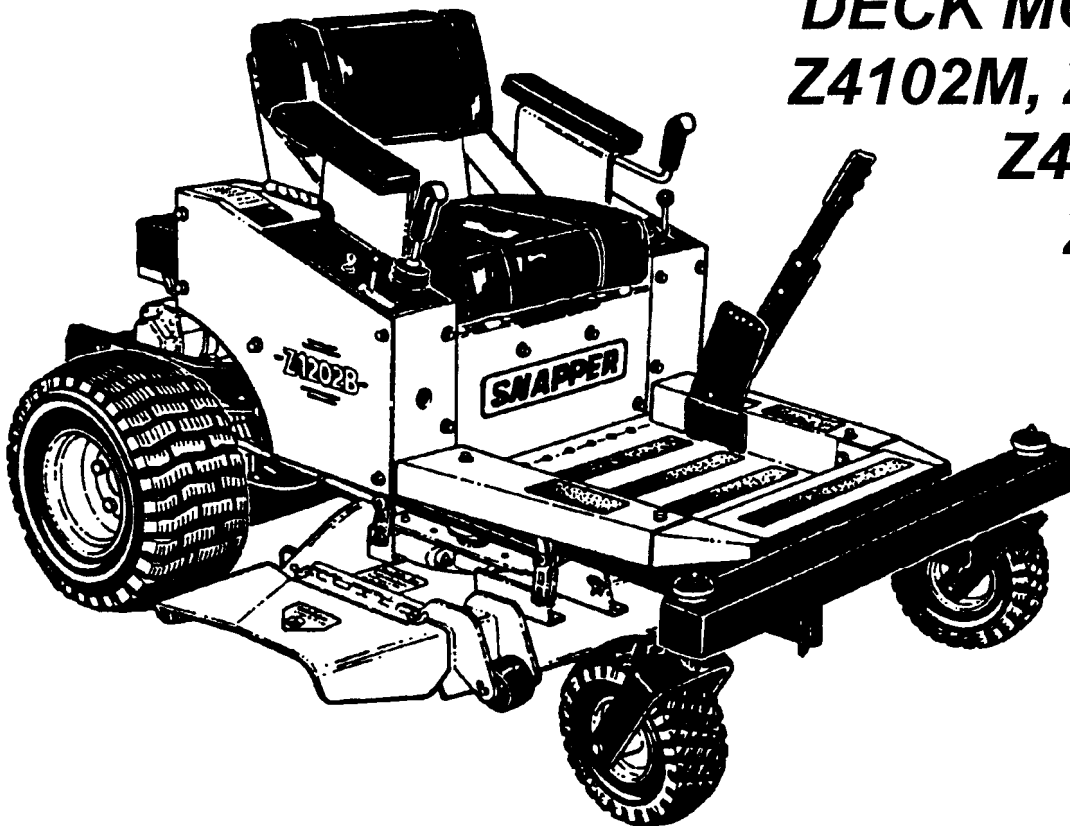


Parts Manual for  
**SNAPPER**<sup>®</sup>  
ZERO TURN RADIUS MOWER

**TRACTOR MODELS: Z1202B, Z1402K,  
Z1802K, Z2002K (SERIES 02) &  
Z1203B, Z1403K, Z1803K  
Z2003K (SERIES 03)  
DECK MODELS:  
Z4102M, Z4202M  
Z4802M &  
Z6002M**



**SNAPPER**<sup>®</sup> McDonough, GA., 30253 U.S.A.

COPYRIGHT © 1997  
SNAPPER INC.  
ALL RIGHTS RESERVED

(Rev. 8/97)

MANUAL No. 06423

# TABLE OF CONTENTS

## TRACTOR AND RELATED PARTS:

	PAGE
FRAME SIDES AND RELATED PARTS -----	1
SEAT SUPPORT ASSEMBLY AND BODY COVER PARTS -----	2
ARM REST ASSEMBLY -----	4
SEAT ASSEMBLY -----	5
JOYSTICK STEERING CONTROL PARTS -----	6
PARKING BRAKE ASSEMBLY -----	8
HYDROSTAT/GEARBOX ASSEMBLY -----	9
HYDROSTAT ASSEMBLY -----	10
MOTOR MOUNT ASSEMBLY -----	12
12 H.P. ENGINE ASSEMBLY -----	14
14 H.P. ENGINE ASSEMBLY -----	15
18 AND 20 H.P. ENGINE ASSEMBLY -----	16
WIRE HARNESS -----	17
DECK LIFT PARTS, 12 H.P. MODEL -----	18
DECK LIFT PARTS, 14, 18, AND 20 H.P. MODEL -----	20
10" CASTER WHEEL ASSEMBLY -----	22
13" CASTER WHEEL ASSEMBLY -----	23

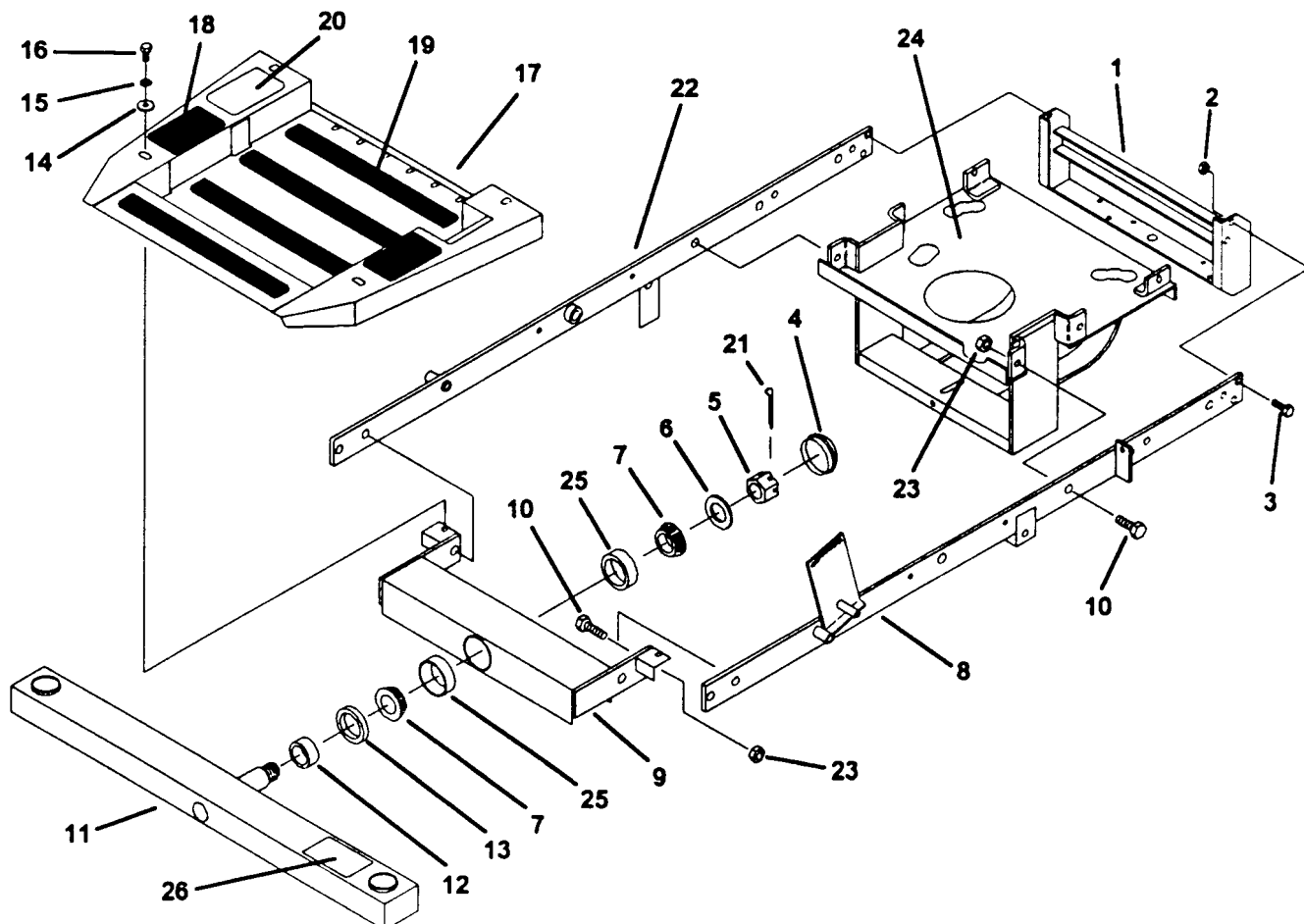
## MOWER DECK AND RELATED PARTS

41" DECK ASSEMBLY -----	24
42" AND 48" DECK ASSEMBLY -----	26
60" DECK ASSEMBLY -----	28
42", 48" AND 60" DECK SPINDLE ASSEMBLY -----	30
41" DECK SPINDLE ASSEMBLY -----	32
60" DECK CASTER WHEEL ASSEMBLY -----	33
DOUBLE IDLER ASSEMBLY -----	34
SINGLE IDLER ASSEMBLY -----	36

<b>ACCESSORIES -----</b>	<b>37</b>
--------------------------	-----------

# FRAME SIDES AND RELATED PARTS

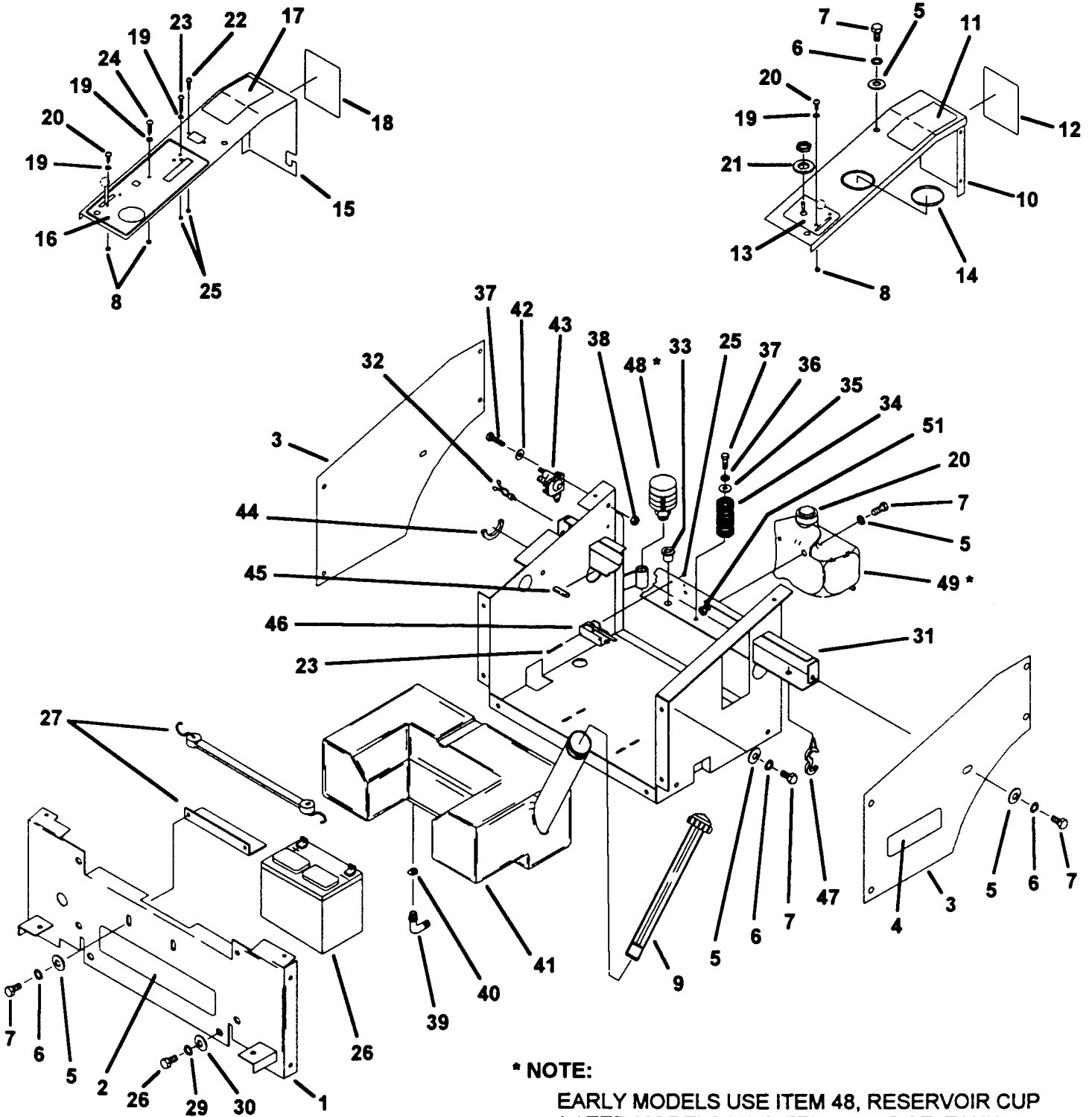
<u>ITEM</u>	<u>PART NO.</u>	<u>DESCRIPTION</u>
1	79668	REAR BUMPER WELDMENT
2	79273	NUT, 3/8-16 NYLOC (4)
3	90587	BOLT, 3/8-16 X 1-1/4" GR.5 (4)
4	79859	GREASE CAP
5	79836	NUT, HEX. SLOTTED 1"-14
6	79020	WASHER, 1" 10 GA.
7	79812	BEARING CONE (2)
8	79646	FRAME SIDE, L.H.
9	79707	FRONT CHANNEL WELDMENT
10	62038	BOLT, 1/2-13 X 1-1/4" GR.5 (10)
11	79677	FRONT BUMPER/AXLE WELDMENT
12	79711	BEARING SPACER
13	79822	SEAL, OIL 1.688 SHAFT
14	90188	WASHER, FLAT STD. 5/16" (4)
15	79267	LOCKWASHER, 5/16" HEAVY SPRING (4)
16	76934	BOLT, 5/16-18 X 3/4" GR. 5 (4)
17	79756	FOOT DECK ASSEMBLY (w/ decal and tread pads)
18	79863	TREAD PAD (2)
19	79862	TREAD PAD (5)
20	79915	DECAL, OPERATION INSTRUCTIONS
21	79839	COTTER PIN, 3/16 X 2"
22	79647	FRAME SIDE WELDMENT, R.H.
23	79262	NUT, 1/2-13, STOVER (10)
24	79719	MOTOR MOUNT WELDMENT
25	79909	BEARING CUP (2)
26	79916	DECAL, TOW WARNING



# SEAT SUPPORT ASSEMBLY & BODY COVER PARTS

<u>ITEM</u>	<u>PART NO.</u>	<u>DESCRIPTION</u>
1	79895	SEAT SUPPORT FRONT ASSEMBLY (W/DECALS)
2	79643	DECAL, SNAPPER
3	79676	FENDER SKIRT (2)
4	62041	DECAL, I.D. "Z1202B" 12 HP MODEL (2)
--	62042	DECAL, I.D. "Z1402K" 14 HP MODEL (2)
--	62043	DECAL, I.D. "Z1802K" 18 HP MODELX (2)
--	62044	DECAL, I.D. "Z2002K" 20 HP MODEL (2)
--	62301	DECAL, I.D. "Z1203B" 12 HP MODEL (2)
--	62300	DECAL, I.D. "Z1403K" 14 HP MODEL (2)
--	62299	DECAL, I.D. "Z1803K" 18 HP MODEL (2)
--	62298	DECAL, I.D. "Z2003K" 20 HP MODEL (2)
5	90188	WASHER, FLAT STD. 5/16" (20)
6	79267	LOCKWASHER, 5/16" HEAVY SPRING (18)
7	76934	BOLT, 5/16-18 X 3/4" GR. 5 (20)
8	79828	LOCKNUT, #8-32 NYLOC (6)
9	79858	FUEL GAUGE CAP
10	62054	FENDER CAP (w/ decals) L.H. 12 HP
--	62056	FENDER CAP (w/ decals) L.H. 14, 18, 20 HP
11	79238	DECAL, CAUTION
12	79916	DECAL, TOWING WARNING
13	79917	DECAL, BLADE, 12 HP
--	79913	DECAL, BLADE/CHOKE, 14, 18, 20 HP
14	62058	TRIM, U-CHANNEL GAS TANK, 14, 18, 20 HP
15	62055	FENDER CAP (w/ decals) R.H. 12 HP
--	62057	FENDER CAP (w/decals, less #62312) RH. 14, 18, 20 HP
16	79918	DECAL, INSTRUMENT PANEL, 12 HP
--	79914	DECAL, INSTRUMENT PANEL, 14, 18, 20 HP
17	79239	DECAL, CAUTION
18	62312	DECAL, BELT TENSIONING
19	79826	WASHER, #8 FLAT (8)
20	79848	SCREW, MACHINE, #8-32 X 1/2" (4)
21	79890	D-WASHER
22	79825	SCREW, MACHINE, #6-32 X 5/8" (2)
23	79281	SCREW, MACHINE, #6-32 X 1" (4)
24	79849	SCREW, MACHINE, #8-32 X 3/4" (2)
25	79310	LOCKNUT, #6-32 NYLOC (6)
26	79482	BATTERY 12 VOLT
27	79698	BATTERY CLAMP ANGLE, 14, 18, 20 HP MODELS
--	79911	TARP STRAP, 16" - 17", 12 HP MODELS
28	79266	BOLT, 3/8-16 X 3/4" GR. 5 (6)
29	79268	LOCKWASHER, 3/8" HEAVY SPRING (6)
30	90600	WASHER, FLAT STD. 3/8" (6)
31	79686	SEAT SUPPORT WELDMENT
32	79864	BLIND HOLE KURLY (4)
33	79191	BUSHING, PLASTIC
34	79857	SEAT SPRING
35	79694	WASHER
36	90052	LOCKWASHER, 1/4" SPLIT SPRING
37	90073	BOLT, 1/4-20 X 3/4" GR. 5 (3)
38	76978	LOCKNUT, 1/4-20 NYLOC (2)
39	79853	ELBOW, 90D 1/4NPT X 1/4 BARB
40	79870	CLAMP, .31 MIN. X .87 MAX. HOSE DIA.
41	79856	FUEL TANK
42	79410	WASHER FLAT STD. 1/4" (2)
43	79193	SOLENOID, 12V STARTER
44	62053	TRIM, U-CHANNEL (obsolete on later models)
45	79897	EDGE GUARD
46	79194	SWITCH, ENCL, SPDT 15A HINGED LEVER

47	79854	FITTING 1/2" ROSE BUD CLIP
*48	79789	RESERVOIR CUP W/ CAP (early models Z1202B thru Z2002K) (2)
*49	62235	TANK, 1.5 QT. (late models Z1202B thru Z2002K)
-	62295	TANK, 1.5 QT. CHARGE PUMP (models Z1203B thru Z2003K)
50	62247	CAP, OIL TANK
51	90717	NUT, HEX. 5/16-18 NYLOC (2)

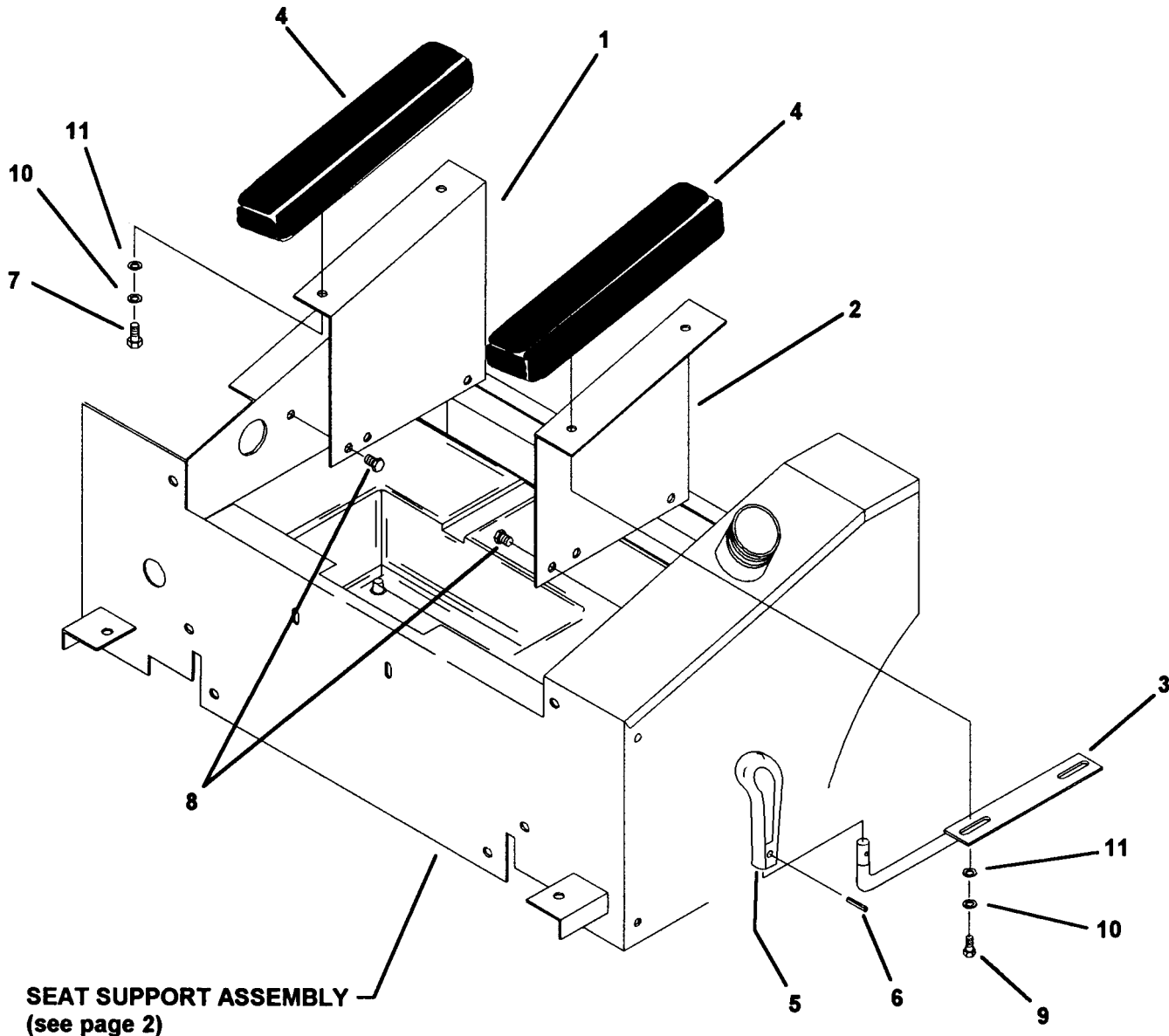


**\* NOTE:**

EARLY MODELS USE ITEM 48, RESERVOIR CUP  
 LATER MODELS USE ITEM 49, 1.5 QT. TANK

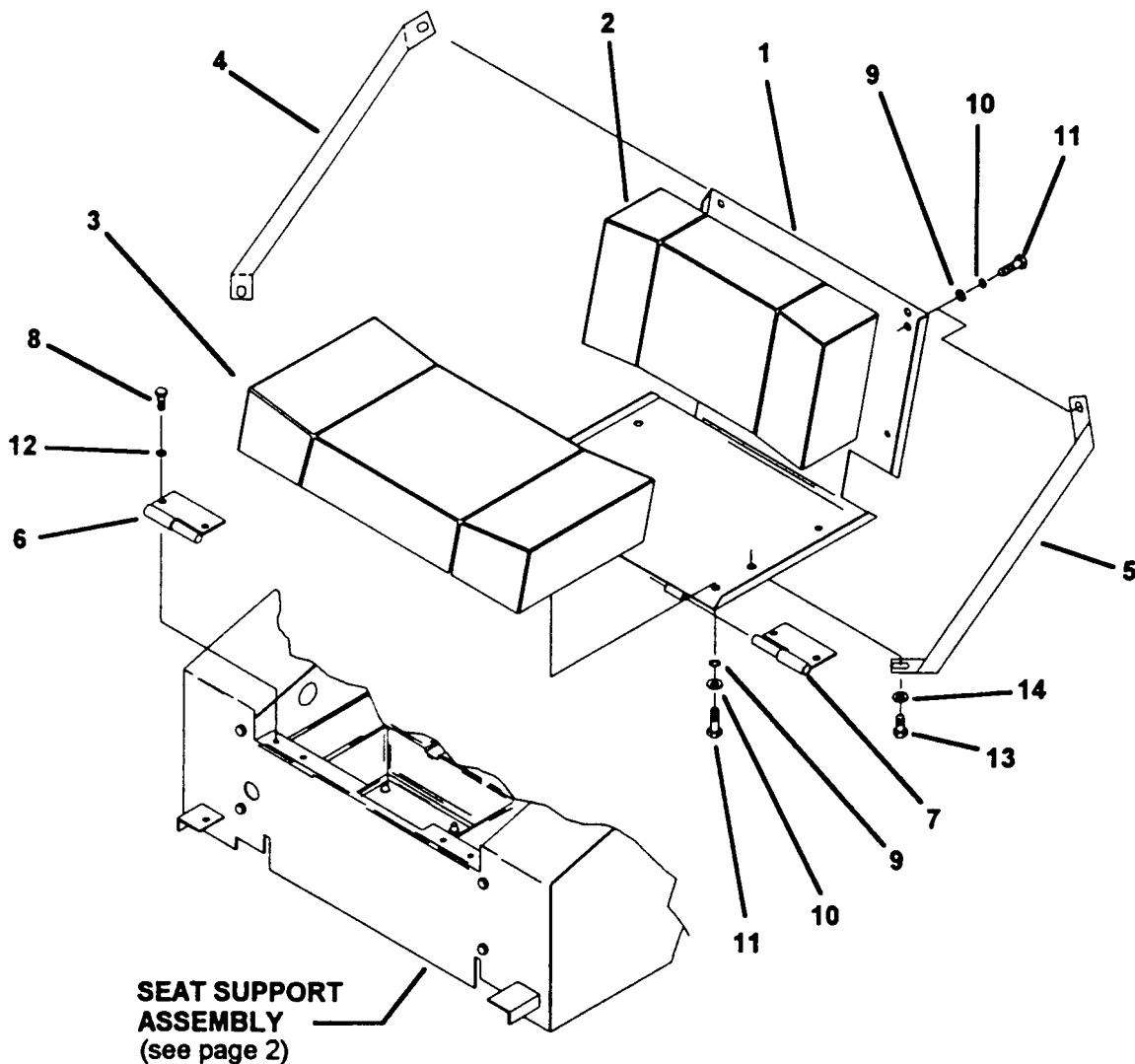
# ARM REST ASSEMBLY

<u>ITEM</u>	<u>PART NO.</u>	<u>DESCRIPTION</u>
1	79700	ARM REST SUPPORT R.H.
2	79699	ARM REST SUPPORT L.H.
3	79495	SECURITY HANDLE WELDMENT
4	79502	ARM REST PAD ASSEMBLY (2)
5	23656	HANDLE, JOYSTICK, 7/16" BORE
6	79294	PIN, SPIRAL 3/16 X 1" LIGHT DUTY
7	76934	BOLT, 5/16-18 X 3/4" GR. 5 (2)
8	79910	BOLT, 3/8-16 X 1/2" NYLON PATCH (4)
9	90636	BOLT, 5/16-18 X 1" GR. 5 (2)
10	79267	LOCKWASHER, 5/16" HEAVY SPRING (4)
11	90188	WASHER, FLAT STD. 5/16" (4)



# SEAT ASSEMBLY

<u>ITEM</u>	<u>PART NO.</u>	<u>DESCRIPTION</u>
1	79665	SEAT BRACKET WLDT.
2	79713	CUSHION BACK ASSEMBLY
3	79662	CUSHION SEAT ASSEMBLY
4	79931	GUSSET, SEAT RIGHT
5	79932	GUSSET, SEAT LEFT
6	79928	HINGE
7	79927	HINGE
8	90073	BOLT, 1/4-20 X 3/4" GR. 5 (4)
9	90188	WASHER, FLAT STD. 5/16" (6)
10	79267	LOCKWASHER, 5/16" SPLIT SPRING (6)
11	90636	BOLT, 5/16-18 X 1" GR. 5 (6)
12	90052	LOCKWASHER, 1/4" SPLIT SPRING (4)
13	62066	BOLT, 5/16-18 X 5/8" LONG LOCK (2)
14	62067	WASHER, 5/16 ID X 5/8 OD X .035 THK (2)

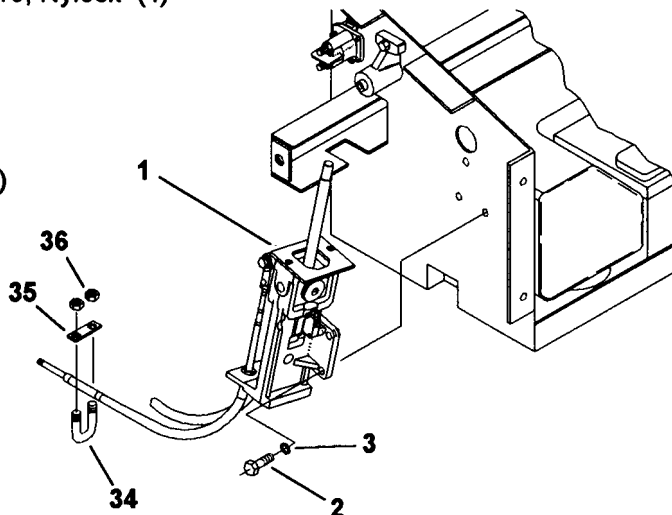


# JOYSTICK STEERING CONTROL PARTS

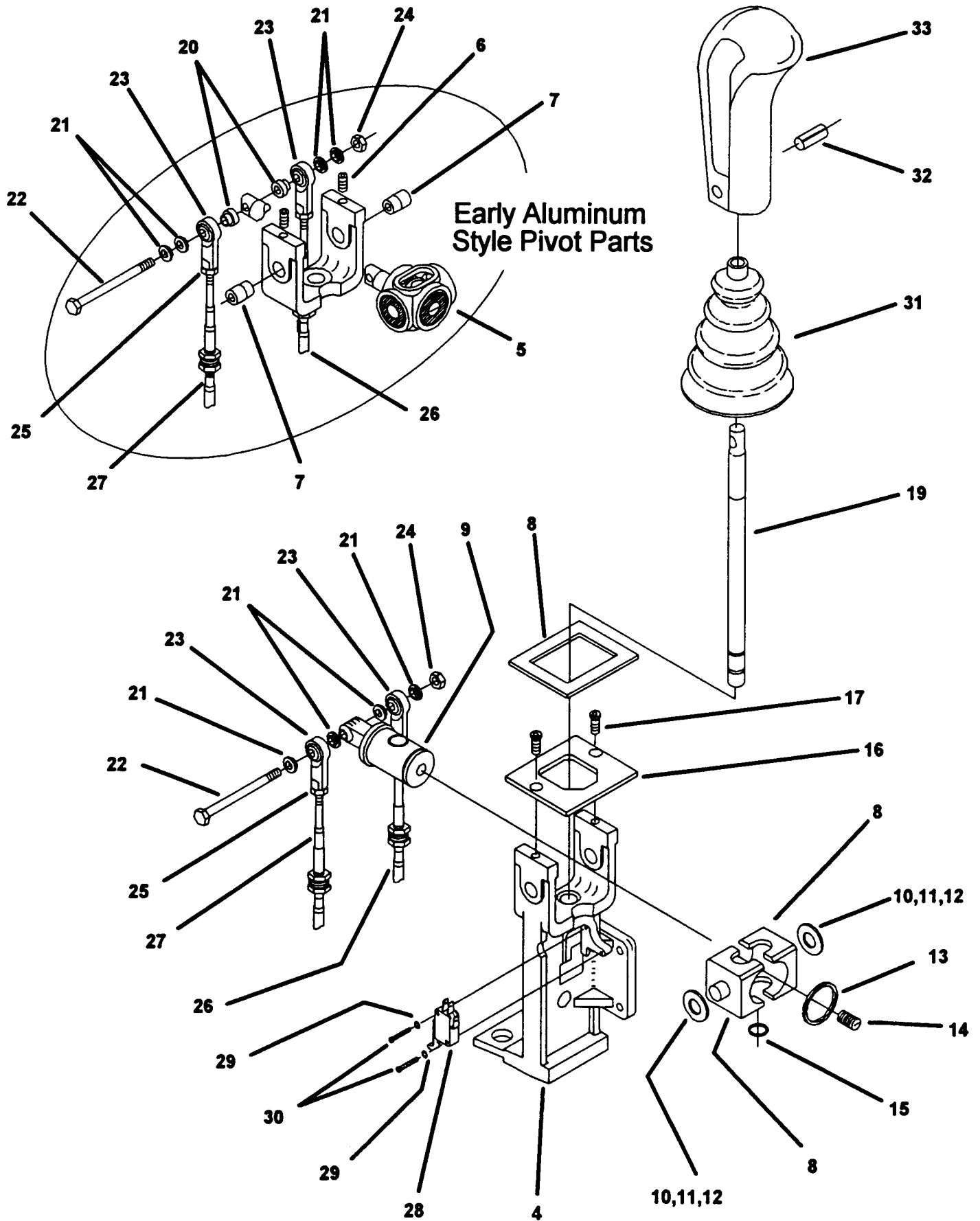
<u>ITEM</u>	<u>PART NO.</u>	<u>DESCRIPTION</u>
1	Illustration Only	JOYSTICK YOKE ASSEMBLY (Refer to page 7 for breakdown)
2	90073	CAP SCREW, 1/4-20 x 3/4", Gr.5 (3)
3	90052	LOCK WASHER, 1/4" Split Ring (3)
4	79522	JOYSTICK YOKE
	**	EARLY ALUMINUM STYLE PIVOT PARTS
5	**	PIVOT BLOCK ASSEMBLY
6	79372	SET SCREW, 1/4-20 X 5/16 Nylock (2)
7	79526	TRUNNION PIN (2)
	**	LATER DELRIN PLASTIC STYLE PIVOT PARTS
8	**	PIVOT BLOCK, Delrin Plastic
9	**	PIVOT SHAFT, Delrin Plastic
10	62305	SHIM WASHER, 1/2 ID x 1 OD x .005 Thick (as required)
11	62306	SHIM WASHER, 1/2 ID x 1 OD x .010 Thick (as required)
12	62307	SHIM WASHER, 1/2 ID x 1 OD x .020 Thick (as required)
13	62304	SNAP RING, Spirlock
14	79537	BALL PLUNGER, 3/8-16 X 5/8"
15	79536	SNAP RING, 1/2"
16	79734	TOP PLATE, Joystick
17	79587	SCREW, 1/4-20 X 1/2", Flathead (2)
18	79867	GASKET, Foam
19	79696	JOYSTICK SHAFT
20	79645	BUSHING, Ball Joint (2)
21	79807	BUSHING, Ball Joint (4)
22	62259	CAP SCREW, 1/4-20 X 3", Hex Head
23	79513	BALL JOINT, 1/4-28, Female (2)
24	79260	NUT, 1/4-20, Nylock
25	90095	NUT, 1/4-28, (comes with 26 & 27) (2)
26	79511	PUSH-PULL CABLE, 55"
27	79795	PUSH-PULL CABLE, 39"
28	79530	SWITCH, SPDT, Miniature
29	79534	LOCK WASHER, #4 Star (2)
30	79535	SCREW, #4-40 X 3/4" (2)
31	79529	BELLOWS BOOT
32	79294	ROLL PIN, 3/16 X 1"
33	23656	HANDLE GRIP
34	79301	U-BOLT, 5/16-18 X 1 3/16" (2)
35	79104	U-BOLT SPACER (2)
36	90717	NUT, 5/16-18, Nylock (4)

**\*\* - NOTE;**

**USE REPLACEMENT KIT  
#62303 (kit includes items 8 thru 13)**





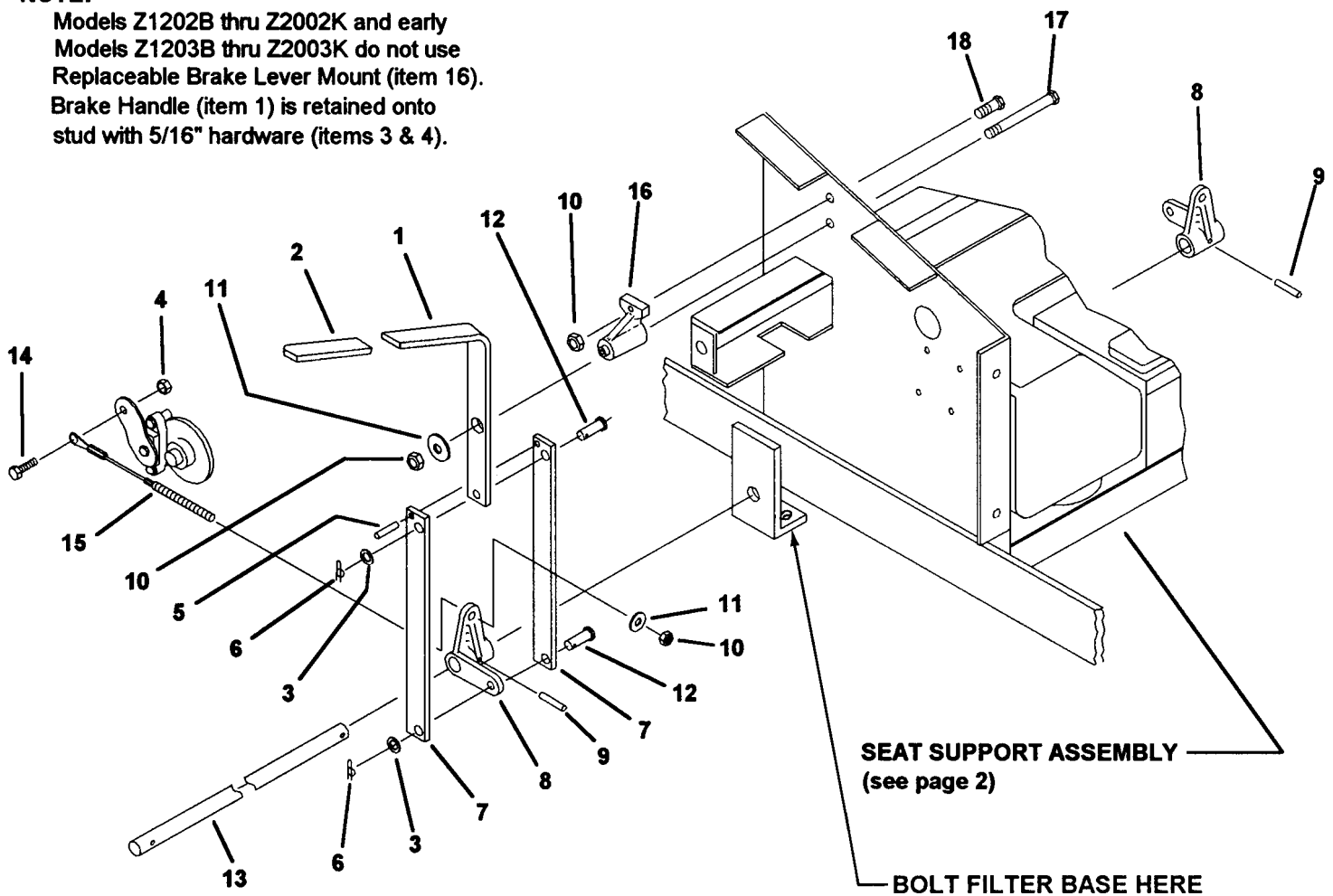


# PARKING BRAKE ASSEMBLY

ITEM	PART NO.	DESCRIPTION
1	79692	BRAKE HANDLE
2	79860	GRIP, HANDLE
3	90188	WASHER, FLAT STD. 5/16" (2 or 3)
4	90717	NUT, 5/16-18 NYLOC (2 or 3)
5	79319	ROLL PIN, 3/16 X 7/8" LONG, SPIRAL
6	79291	COTTER, RUE RING 5/16-3/8 PIN (2)
7	79701	HANDLE LINK (2)
8	79728	BRAKE ARM (2)
9	79294	ROLL PIN, 3/16 X 1" LONG SPIRAL (2)
10	76978	NUT, 1/4-20 NYLOCK (2 or 4)
11	79410	WASHER, FLAT STD. 1/4" (2 or 3)
12	79283	CLEVIS PIN, 5/16 X 7/8" LONG (2)
13	79702	BRAKE ROD
14	76934	BOLT, 5/16-18 X 3/4" GR. 5 (2)
15	79797	CABLE ASSEMBLY, BRAKE (2)
16	62311	BRAKE LEVER MOUNT
17	62259	BOLT, 1/4-20 X 3", Hex Head
18	79265	BOLT, 1/4-20 x 1", Hex Head

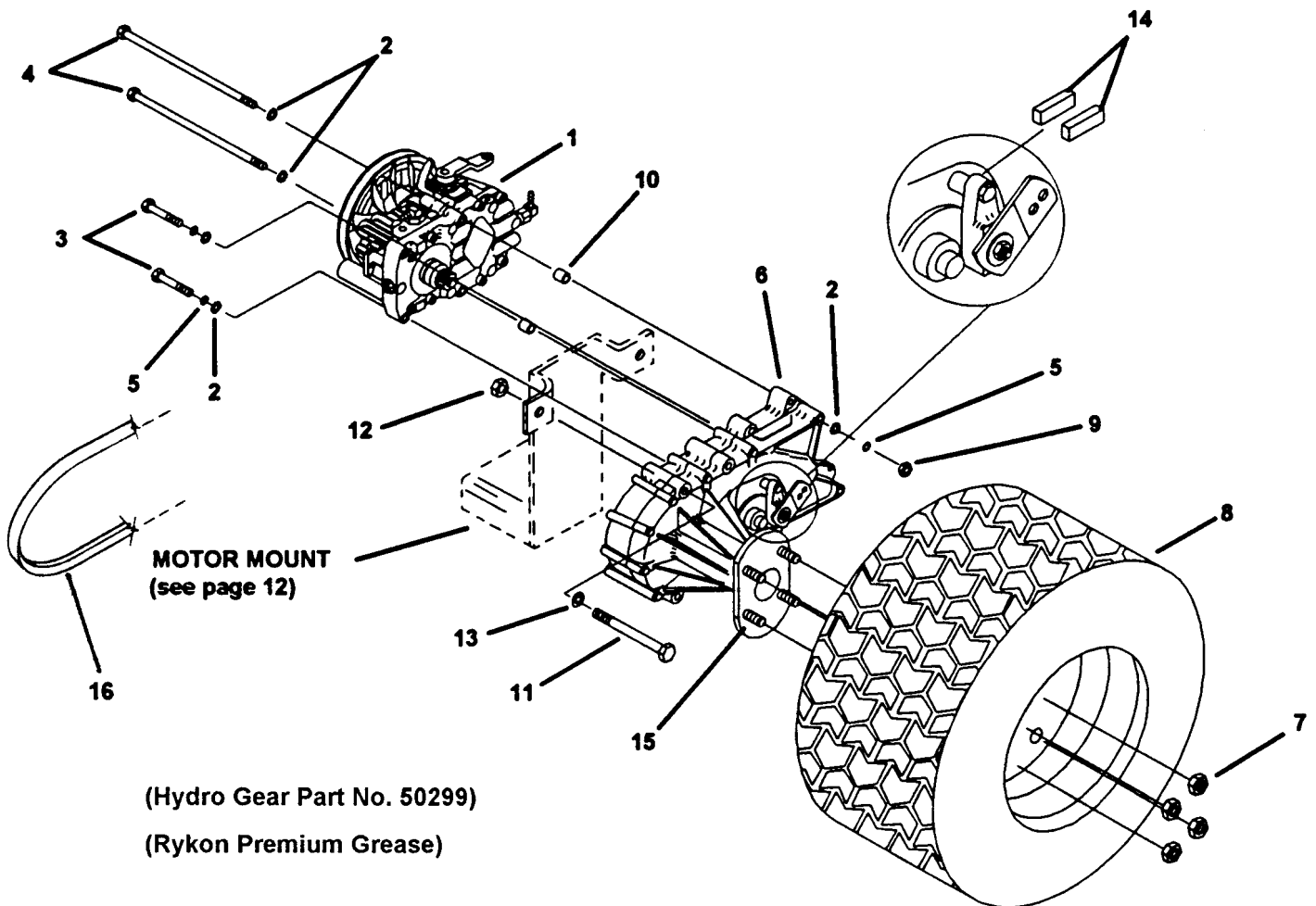
**NOTE:**

Models Z1202B thru Z2002K and early Models Z1203B thru Z2003K do not use Replaceable Brake Lever Mount (item 16).  
 Brake Handle (item 1) is retained onto stud with 5/16" hardware (items 3 & 4).



# HYDROSTAT/GEARBOX ASSEMBLY

ITEM	PART NO.	DESCRIPTION
1	SEE PG. 10	HYDROSTAT TRANSMISSION ASSEMBLY L.H.
-	SEE PG. 10	HYDROSTAT TRANSMISSION ASSEMBLY R.H.
2	90188	WASHER, FLAT STD. 5/16" (12)
3	79824	BOLT, 5/16-18 X 1-3/4" GR. 5 (4)
4	79838	BOLT, 5/16-18 X 7-1/2" GR. 5 (4)
5	79267	LOCKWASHER, 5/16" SPLIT SPRING (8)
6	79815	GEAR BOX, L.H.
-	79814	GEAR BOX, R.H.
7	79293	NUT, LUG 60 DEGREE, 1/2-20 (8)
8	-	TIRE, 20-10.00-10, 4 PLY W/RIM (USED ON 14,18, 20 HP MODELS)
-	79790	CARLISLE BRAND (2)
-	62278	DICO BRAND (2)
-	79162	TIRE, 18-9.50-8 W/RIM (USED ON 12 HP MODEL) (2)
9	79573	NUT, 5/16-18 PLAIN (4)
10	79642	BUSHING (4)
11	79832	BOLT, 3/8-16 X 4" GR.5 (8)
12	79273	NUT, 3/8-16 NYLOC (8)
13	90600	WASHER, FLAT STD. 3/8" (8)
14	62245	BRAKE PUCK, REPLACEMENT (4)
15	62302	LUG BOLT (8)
16	79776	BELT, A-70 KEVLAR, MAIN DRIVE BELT



(Hydro Gear Part No. 50299)

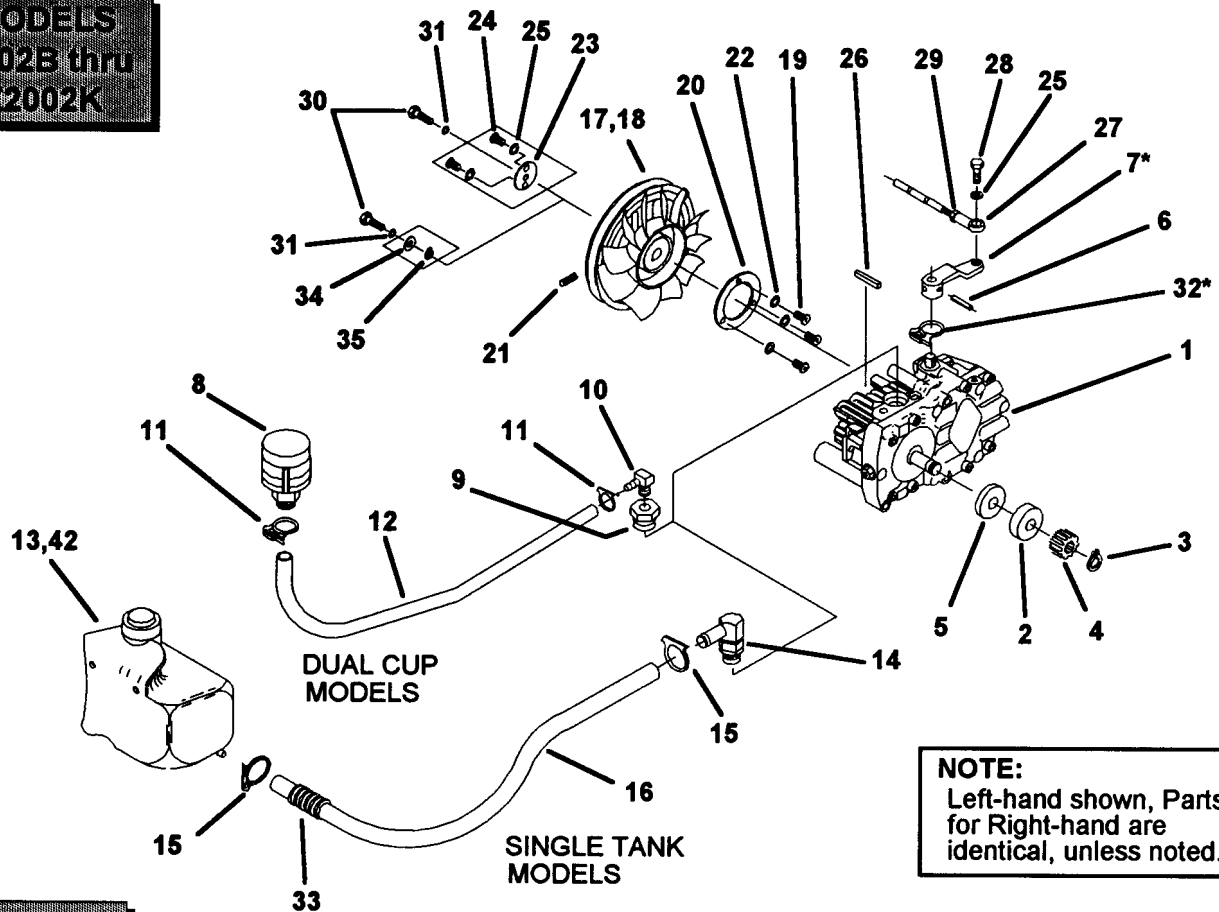
(Rykon Premium Grease)

# HYDROSTAT ASSEMBLY

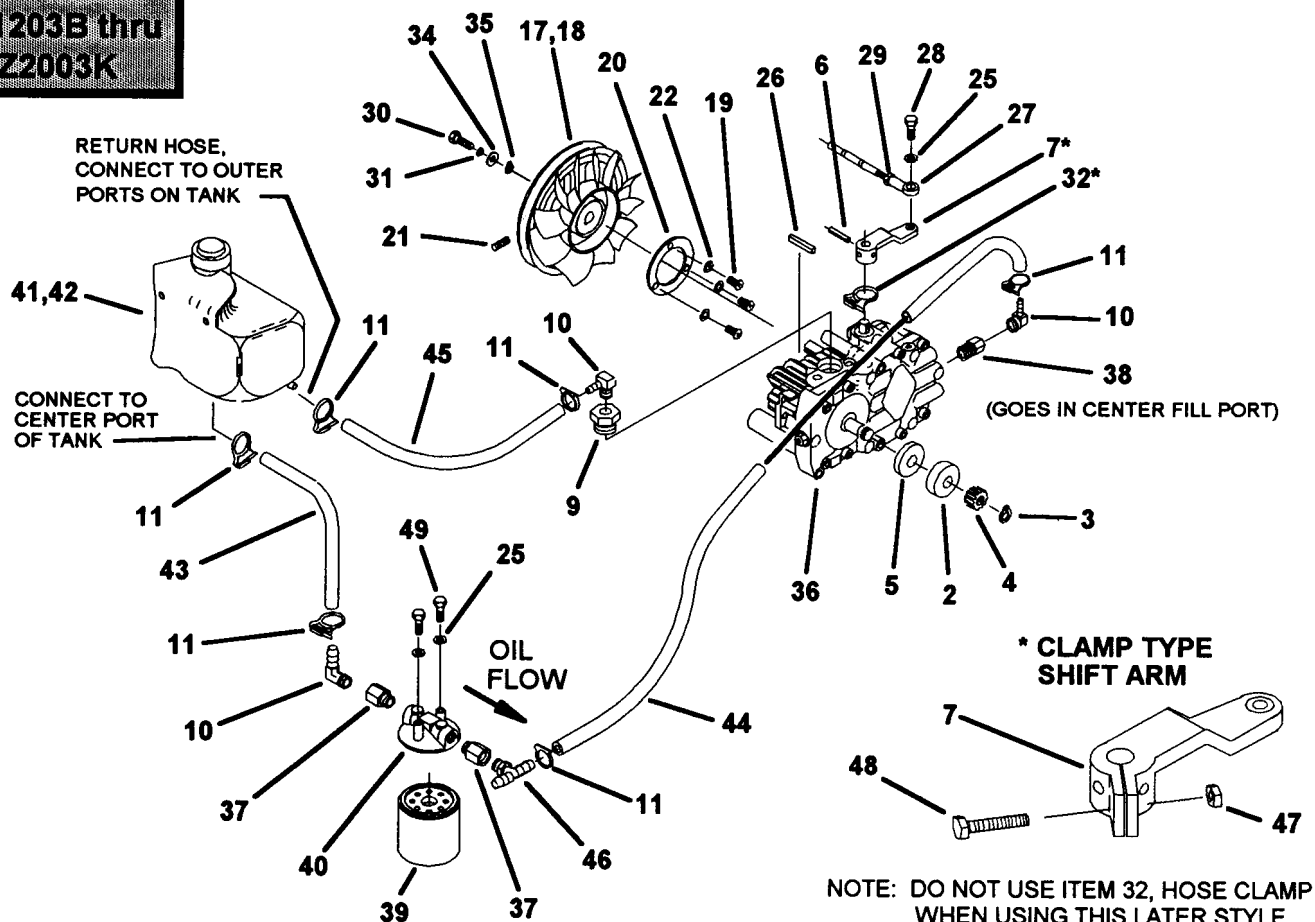
<u>ITEM</u>	<u>PART NO.</u>	<u>DESCRIPTION</u>
1	79817	HYDROSTAT TRANSMISSION, L.H.
--	79816	HYDROSTAT TRANSMISSION, R.H.
2	79638	BEARING, BALL (2)
3	79640	SNAP RING, EXT. (2)
4	79639	GEAR, 11 TOOTH (2)
5	79641	SPACER, BEARING (2)
6	79837	ROLL PIN, 5MM X 26MM (2)
* 7	79729	SHIFT ARM (2)
8	79789	RESERVOIR CUP, w/ cap (2)
9	79802	ADAPTER, 7/8-14M TO 1/4-18F (2)
10	79794	HOSE BARB, 90D ELBOW, 1/4NPTM X 3/8" (2 OR 5)
11	79861	HOSE CLAMP, 19/32-21/32, NYLON (4 OR 10)
12	79752	HOSE, OIL (2)
13	62235	TANK, 1.5 qt. (comes with cap, item 42)
14	62234	FITTING, 90, 7/8 SAE-5/8 HOSE (2)
15	62237	HOSE CLAMP, NYLON, 7/8-1" (4)
16	62240	HOSE, OIL 5/8" I.D. (2)
17	79804	PULLEY/FAN ASSEMBLY (comes with items 18,34 & 35) (2)
18	79796	FAN, 7" PLASTIC; 10 BLADE CCW
19	62163	BOLT, 1/4-20 X 1/2", GR.5 (3)
20	79714	WASHER, 3" O.D.
21	79302	SETSCREW, SKHD 1/4-20 X 3/4" W/NYLOC (2)
22	90052	LOCKWASHER, 1/4" SPLIT SPRING (3)
23	79898	WASHER (2)
24	79846	SCREW, 1/4-20 X1/2" PAN HD. (4)
25	90052	LOCKWASHER, 1/4" SPLIT SPRING (8)
26	79791	KEY, 5 MM SQ. X 25 MM (2)
27	79513	BALL JOINT, FEMALE 1/4-28 (2)
28	90073	BOLT, 1/4-20 X3/4" GR. 5 (2)
29	90095	NUT, 1/4-28 (COMES WITH PUSH-PULL CABLE) (2)
30	79842	BOLT, 6 MM X 16 MM (2)
31	79843	LOCKWASHER, 6MM (2)
*32	62248	HOSE CLAMP, NYLON 1" (2)
33	62250	COMPRESSION SPRING (2)
34	62272	WASHER (2)
35	62273	SNAP-RING INT. 15 MM (2)
36	62289	HYDROSTAT TRANSMISSION, L.H.
--	62290	HYDROSTAT TRANSMISSION, R.H.
37	62291	ADAPTER, 9/16" SAE to 1/4 NPT (2)
38	62280	ADAPTER, 7/16" SAE TO 1/4 NPT (2)
39	62294	OIL FILTER
40	62293	FILTER BASE
41	62295	TANK, 1.5 QT, CHARGE PUMP STYLE (comes with cap, item 41)
42	62247	CAP, Oil Tank (also fits item 13 above)
43	62279	HOSE, 6"
44	62284	HOSE, 46", L.H.
--	62282	HOSE, 24", R.H.
45	62283	HOSE, 18" (2)
46	62292	TEE FITTING, 3/8 x 3/8 x 3/8 NPT
47	79260	NUT, 1/4-20, NYLOC
48	79265	BOLT, 1/4-20 X 1", GR.5
49	79405	BOLT, 1/4-20 X 5/8", GR.5 (2)

\* Later models and replacement parts use Clamp Style Shift Arm (item 7) with 1/4-20 x 1 bolt (item 48) and 1/4-20 locknut (item 47).

**MODELS  
Z1202B thru  
Z2002K**

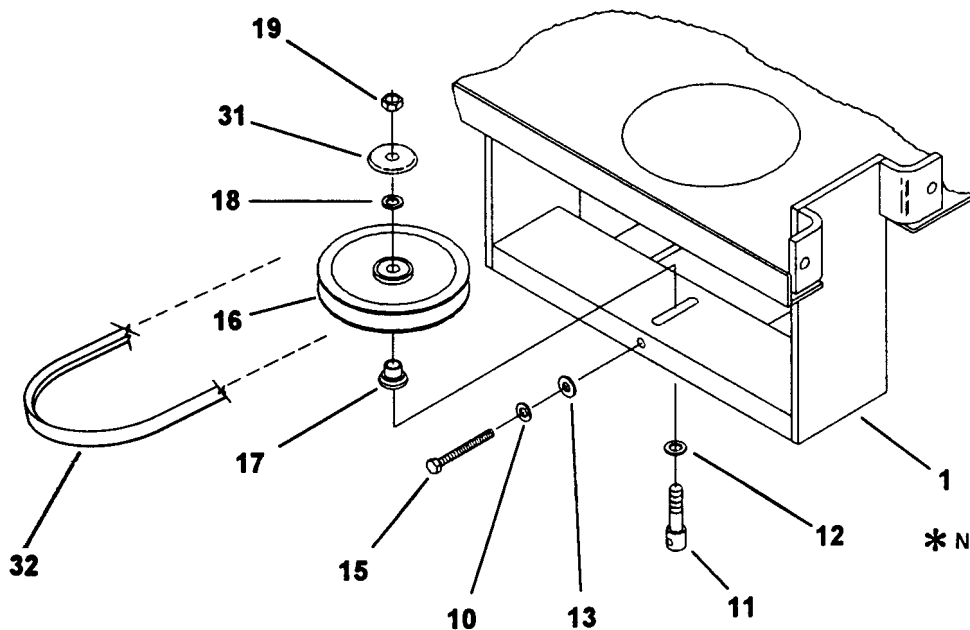


**MODELS  
Z1203B thru  
Z2003K**

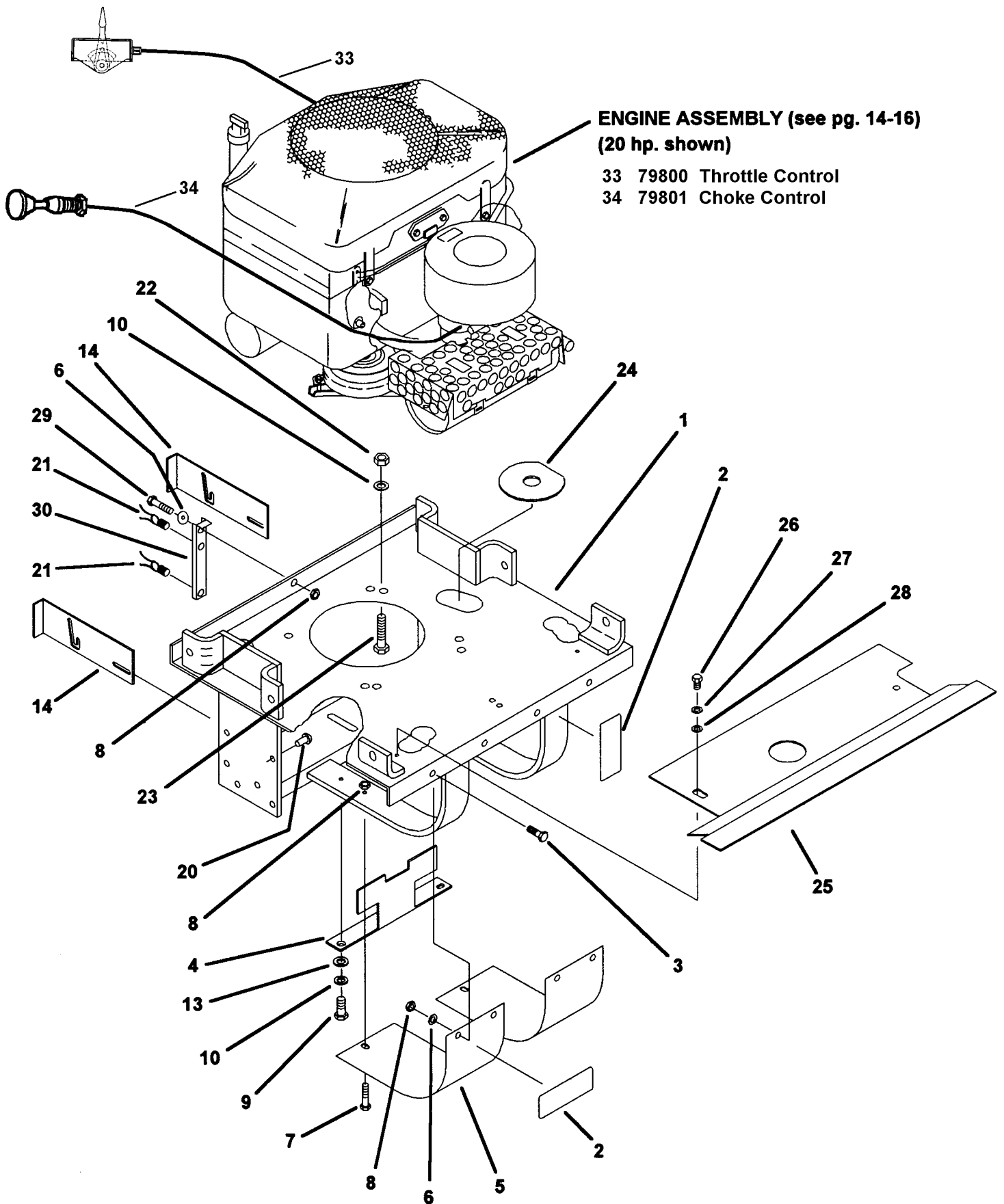


# MOTOR MOUNT ASSEMBLY

<u>ITEM</u>	<u>PART NO.</u>	<u>DESCRIPTION</u>
1	79719	MOTOR MOUNT WELDMENT
2	79871	DECAL, FAN SHIELD (2)
3	90073	CAPSCREW, 1/4-20 X 3/4" GR. 5 (4)
4	79703	CLUTCH STOP
5	79805	FAN SHIELD (2)
6	79410	WASHER, FLAT, STD. 1/4" (7)
7	77761	CAPSCREW, 1/4-20 X 1" GR. 5 (2)
8	76978	NUT, HEX HD. 1/4-20, NYLOC (7)
9	76934	CAPSCREW, HEX. 5/16-18 X 3/4" GR. 5 (2)
10	79267	LOCKWASHER, 5/16" SPLIT SPRING (7)
11	79404	STUD, ADJUSTABLE
12	90250	WASHER, FLAT STD. 1/2"
13	90188	WASHER, FLAT STD. 5/16" (3)
14	79726	FREEWHEEL BAR (2)
15	79584	CAPSCREW, 5/16-18 X 3" GR.2 FULL THRD.
16	79744 *	IDLER PULLEY ASSEMBLY
17	62037	IDLER STAND, POWDER METAL
18	79306	WASHER, 1/2" NOM. TYPE B NARROW
19	79277	LOCKNUT, 1/2-13, NYLOC
20	79840	DRIVE STUD, 1/4 X 1/2" LONG (4)
21	79864	BLINDHOLE KURLY-LOC (2)
22	79324	NUT, 5/16-24 UNF, GR. 5 PLATED (4)
23	62422	BOLT, 5/16-24 X 1-1/2" GR. 5 (4) USED ON 12, 18, & 20 H.P. MODEL ENGINES
**	79835	BOLT, M8 X 1.25 X 25 HEX HD. (4) USED ON 14 H.P. MODEL ENGINES ONLY
24	62241	WASHER, SEAL
25	62243	REAR SHIELD
26	62249	SCREW, 1/4 X 3/8" SELF THRD. FORM (2)
27	90052	LOCKWASHER, SPLT. SPRING 1/4" (2)
28	79410	WASHER, FLAT 1/4" ZINC PLATED (2)
29	79405	CAPSCREW, 1/4-20 X 5/8" GR.5
30	62285	BRACKET, CLUTCH WIRE
31	62286	WASHER, BEARING CAP
32	79776	BELT, A-70 KEVLAR, MAIN DRIVE BELT



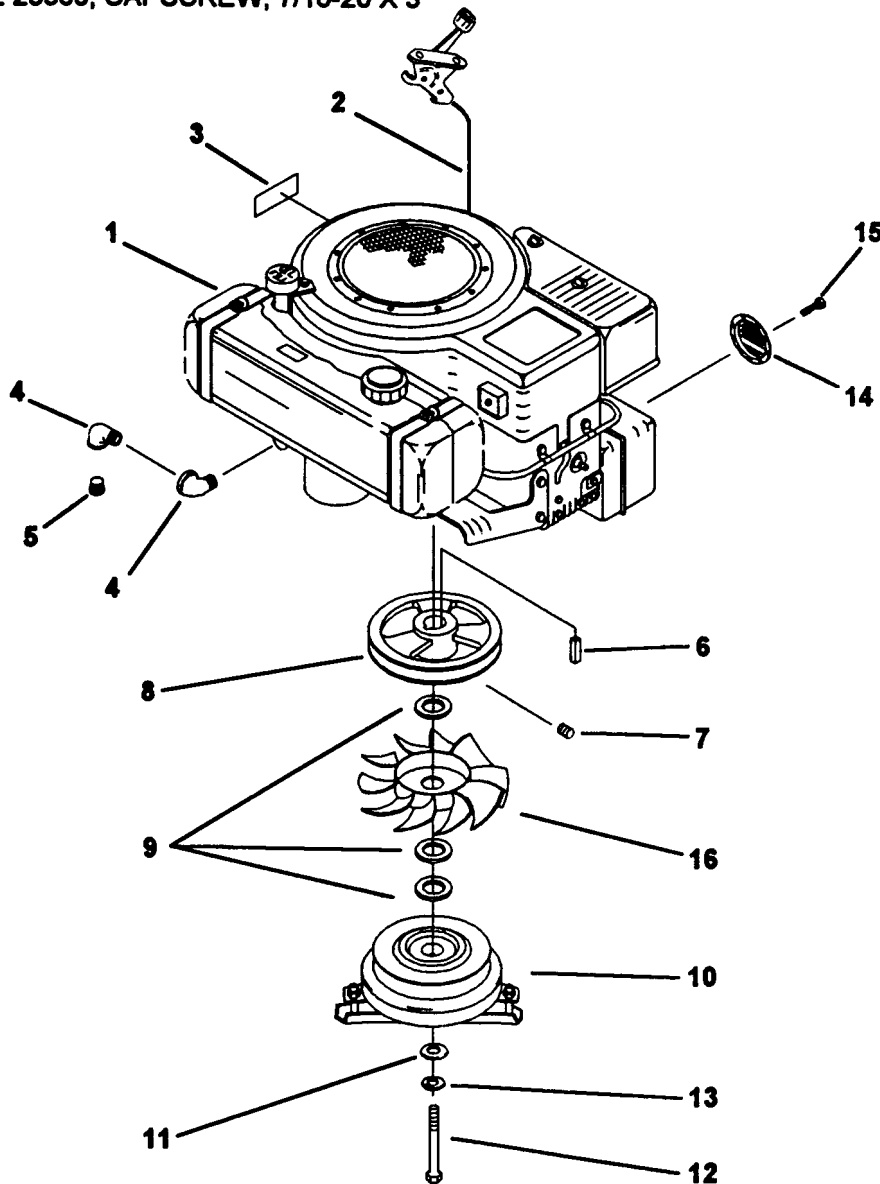
\* NOTE: ETNA Yellow/Gold = NEW  
Silver/Brown = OLD



# 12 H.P. ENGINE ASSEMBLY

<u>ITEM</u>	<u>PART NO.</u>	<u>DESCRIPTION</u>
1	N/A	ENGINE, 12 HP VERTICAL SHAFT
2	79869	CABLE, CHOKAMATIC, 12 HP
3	79237	DECAL "PERIODICALLY CLEAN"
4	79852	ELBOW, STREET, 3/8", 90D. SCH. 40 (2)
5	79367	PLUG, PIPE 3/8"
6	79000	KEY, 1/4" SQ. X 1"
7	79823	SETSCREW, SOCKET HD. 5/16-18 X 3/8"
8	79738	MOTOR DRIVE PULLEY
9	62242	WASHER, SHIM (3)
10	79448	CLUTCH, ELECTRIC, 1" BORE
11	79022	WASHER, 15/32" I.D.
12	62263	CAPSCREW, 7/16-20 X 3-1/2" GR.5
**	23388	CAPSCREW, 7/16-20 X 3" GR. 5
13	90247	LOCKWASHER, 7/16" SPLIT SPRING
14	79912	DEFLECTOR, LOUVERED
15	79290	SCREW FOR DEFLECTOR (4)
16	62236	FAN, 7" DIA. 10 BLADE CW

\*\* IF THE MOWER DOES NOT HAVE 7" FAN (item 16) AND SHIM WASHERS (item 9)  
USE 23388, CAPSCREW, 7/16-20 X 3"

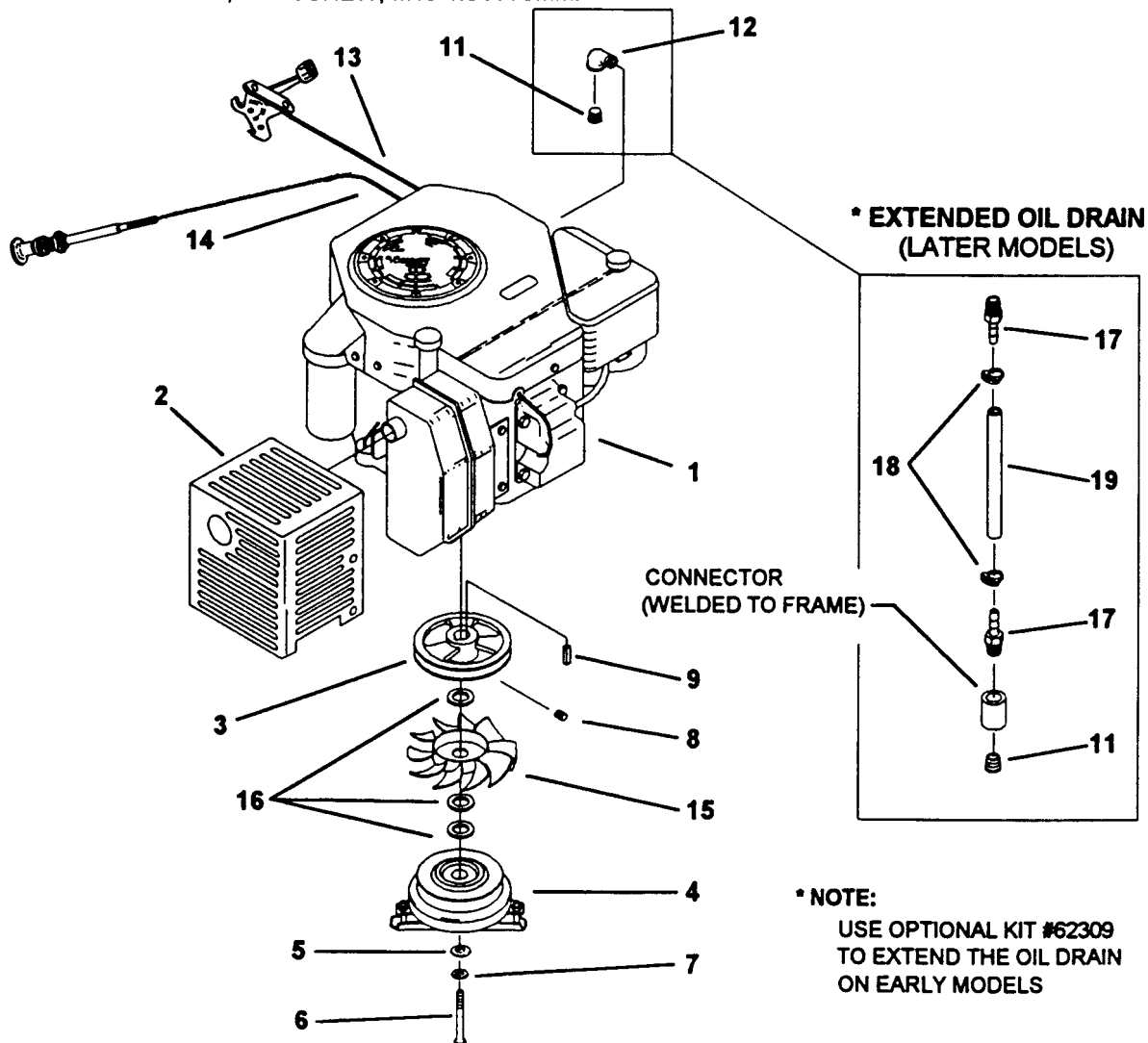




# 14 H.P. ENGINE ASSEMBLY

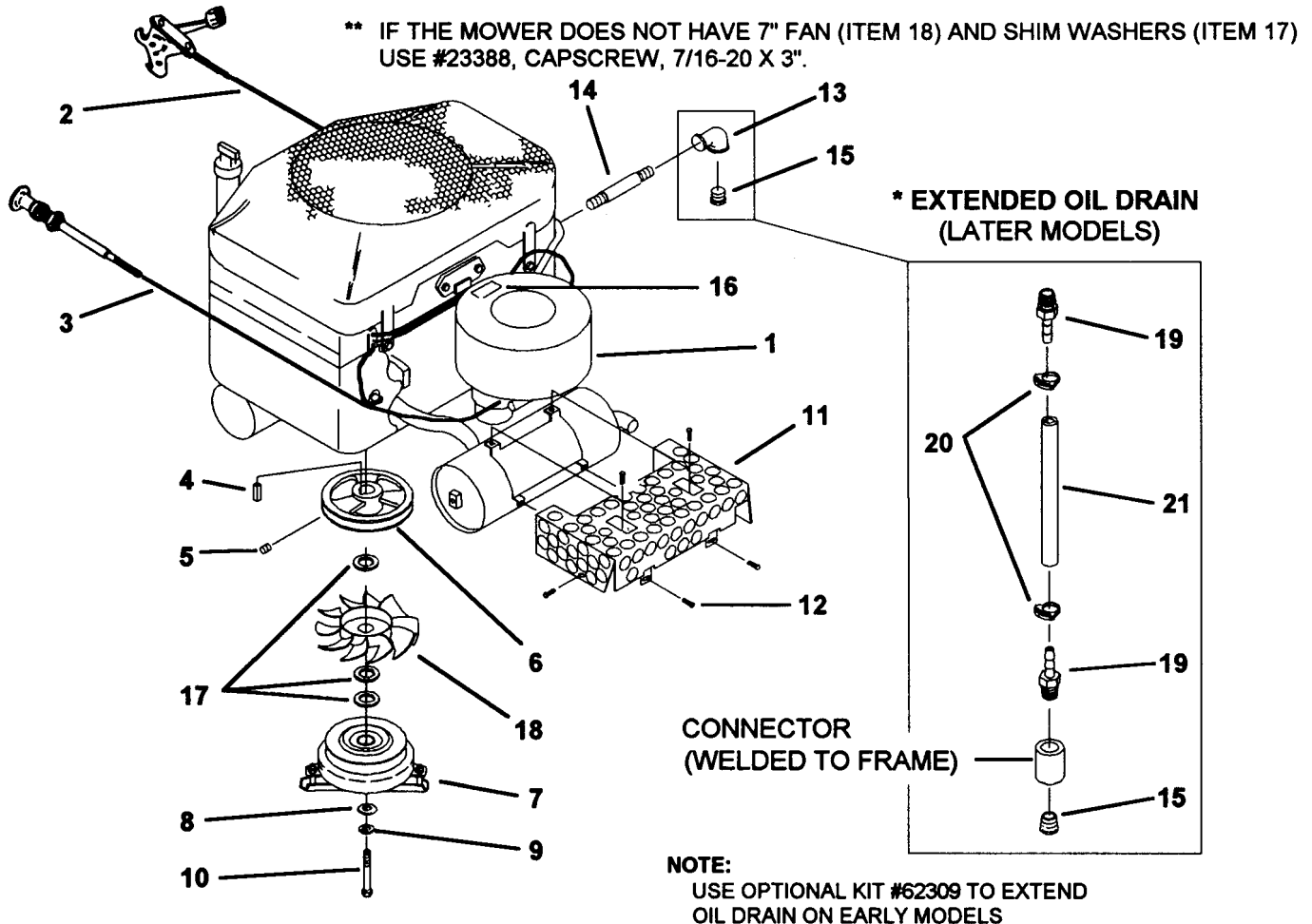
ITEM	PART NO.	DESCRIPTION	QTY.
1	N/A	ENGINE, 14HP KOHLER COMMAND	1
2	79891	MUFFLER GUARD WELDMENT, KOHLER	1
3	79736	PULLEY, MOTOR DRIVE	1
4	79446	CLUTCH, ELECTRIC, 1" BORE	1
5	79022	WASHER, 15/32" I.D.	1
6	62264	CAPSCREW, HEX HD. 10M-1.5 X 90MM	1
**	79830	CAPSCREW, HEX HD. 10M-1.5 X 75MM	1
7	90247	LOCKWASHER, 7/16" SPLIT SPRING	1
8	79823	SETSCREW, SOCKET HD. 5/16-18 X 3/8"	1
9	79000	KEY, 1/4" SQ. X 1"	1
10	79237	DECAL, "PERIODICALLY CLEAN"	1
11	79367	PLUG, PIPE 3/8"	1
12	79852	ELBOW, STREET, 3/8" 90D. SCH. 40	1
13	79865	CABLE, THROTTLE 12HP & 14HP	1
14	79866	CABLE, CHOKE 12HP & 14HP	1
15	62236	FAN, 7" DIA. 10 BLADE CW	1
16	62242	WASHER, SHIM	3
17	62296	HOSE BARB, 3/8" HOSE X 3/8" MPT	2
18	79861	HOSE CLAMP, 19/32-21/32, NYLON	2
19	62288	HOSE, 8" LONG	1

\*\* IF THE MOWER DOES NOT HAVE 7" FAN (ITEM 15) AND SHIM WASHERS (ITEM 16).  
USE #79830, CAPSCREW, M10-1.5 X 75MM.



# 18 & 20 HP ENGINE ASSEMBLY

ITEM	PART NO.	DESCRIPTION
1	N/A	18 HP KOHLER, VERTICAL SHAFT ENGINE
--	N/A	20 HP KOHLER, VERTICAL SHAFT ENGINE
2	79800	CABLE, THROTTLE 18 & 20 HP
3	79801	CABLE, CHOKE 18 & 20 HP
4	79000	KEY, SQUARE, 1/4" X 1" (USED ON 18 HP ENGINE)
--	79159	KEY, WOODRUFF, 1/4" X 3/4" (USED ON 20 HP ENGINE)
5	79823	SETSCREW, SOCKET HD., 5/16-18 X 3/8"
6	79736	PULLEY, 1" BORE (USED ON 18 HP ENGINE)
--	79745	PULLEY, 1-1/8" BORE (USED ON 20 HP ENGINE)
7	79446	CLUTCH, ELECTRIC, 1" BORE
8	79022	WASHER, 15/32" I.D.
9	90247	LOCKWASHER, 7/16" SPLIT SPRING
10	62263	CAPSCREW, 7/16-20 X 3-1/2" GR. 5
**	23388	CAPSCREW, 7/16-20 X 3" GR. 5
11	62052	MUFFLER GUARD
12	79424	SCREW, SHEET METAL, #8 X 1/2" (6)
13	79210	ELBOW, 3/8, 90D, SCH. 40 CAST IRON
14	79209	NIPPLE, 3/8 X 3" SCH. 40 BLACK
15	79367	PLUG, PIPE 3/8"
16	79237	DECAL, "PERIODICALLY CLEAN"
17	62242	WASHER, SHIM (3)
18	62236	FAN, 7" DIA. 10 BLADE CW
19	62296	HOSE BARB, 3/8" HOSE X 3/8" MPT (2)
20	79861	HOSE CLAMP, 19-32-21/32, NYLON (2)
21	62287	HOSE, 3/8" ID X 6-3/4" LONG

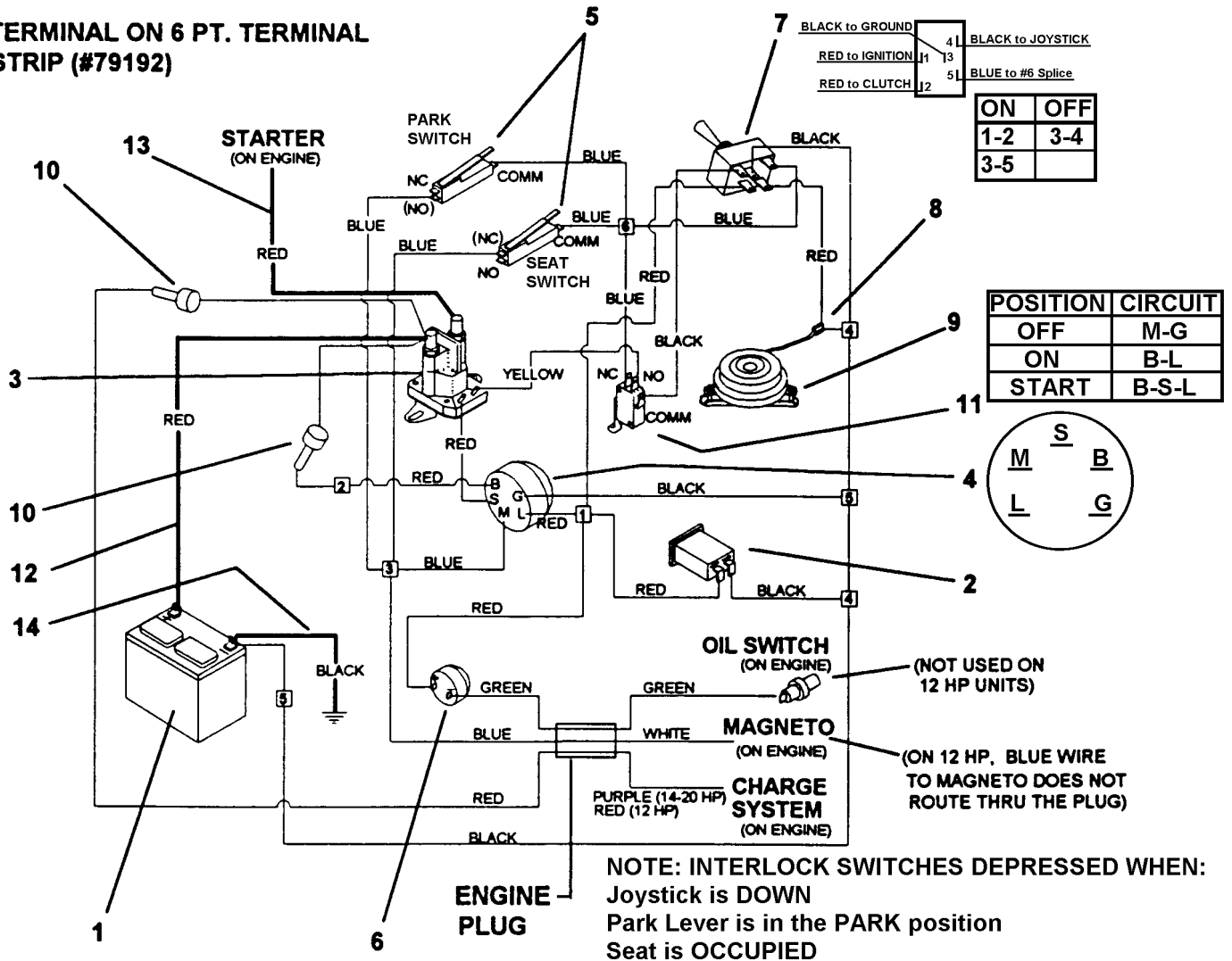


# WIRE HARNESS

ITEM	PART NO.	DESCRIPTION
1	79482	BATTERY
2	79203	HOUR METER, 14, 18, & 20 HP
3	79193	SOLENOID
4	79201	START SWITCH
5	79194	SWITCH, ENCL, SPDT 15A HINGED LEVER
6	79208	BUZZER, 14, 18, & 20 HP
7	79342	CLUTCH SWITCH
8	79204	INSULATOR COVER (female end only)
9	79446	ELECTRIC CLUTCH
10	79206	FUSEHOLDER (INLINE) (2)
-	79341	FUSE, 20 AMP GLASS SLO-BLO (2)
11	79530	SWITCH, SPDT MINIATURE
12	79705	CABLE, BATTERY, 31.75" W/ BOOTS
13	79706	CABLE, STARTER, 31.75" WO/BOOTS
14	62314	WIRE ASS'Y, 24" BLK. 8 GA. ENG./GRD., 14, 18, & 20 HP
-	62313	WIRE ASS'Y, 21" BLK. 8 GA. ENG./GRD., 12 HP
-	79192	6 PT. TERMINAL STRIP

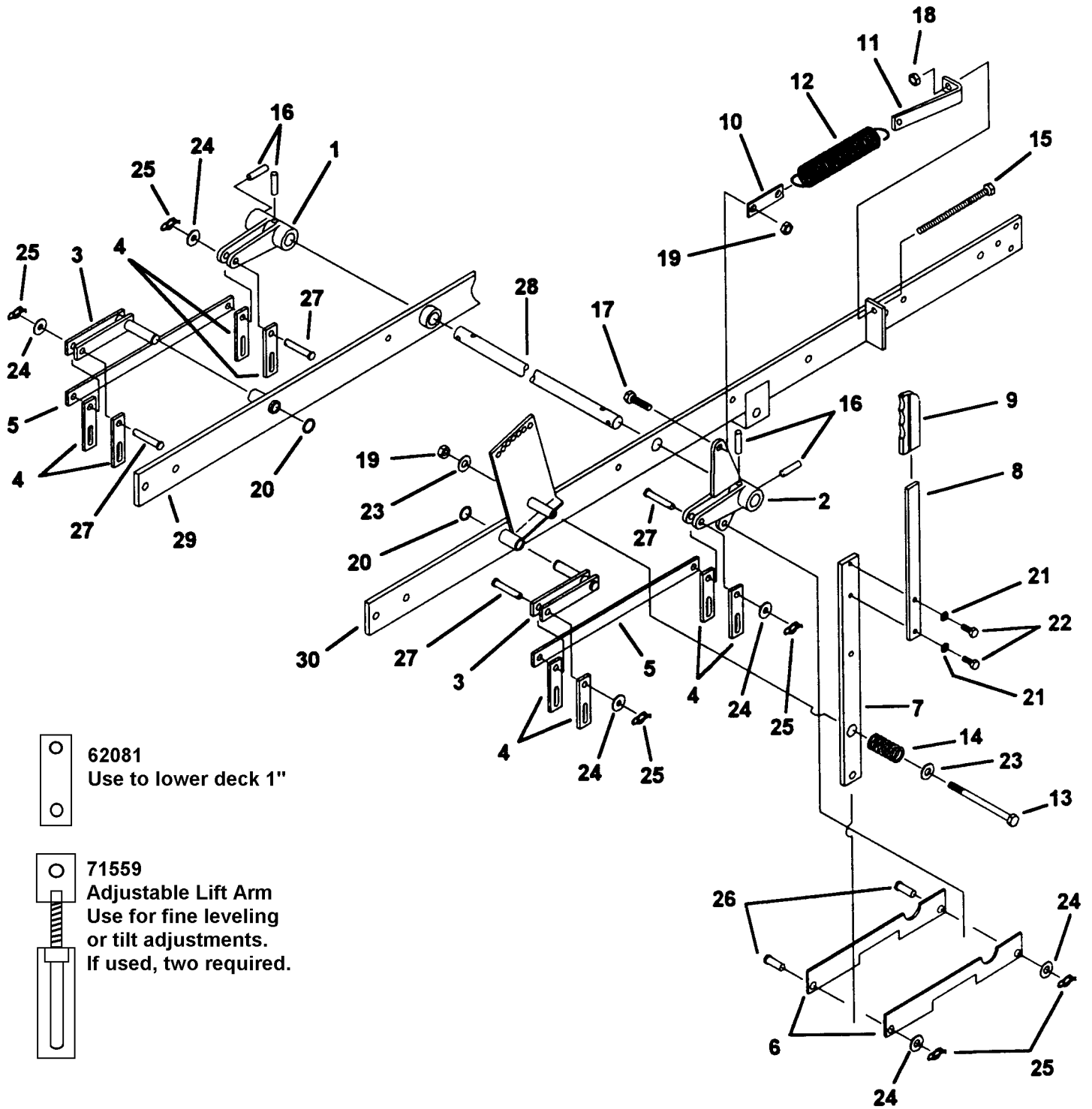
NOTE: No Wiring Harness Assembly is available, make repairs as necessary.

□ = TERMINAL ON 6 PT. TERMINAL STRIP (#79192)



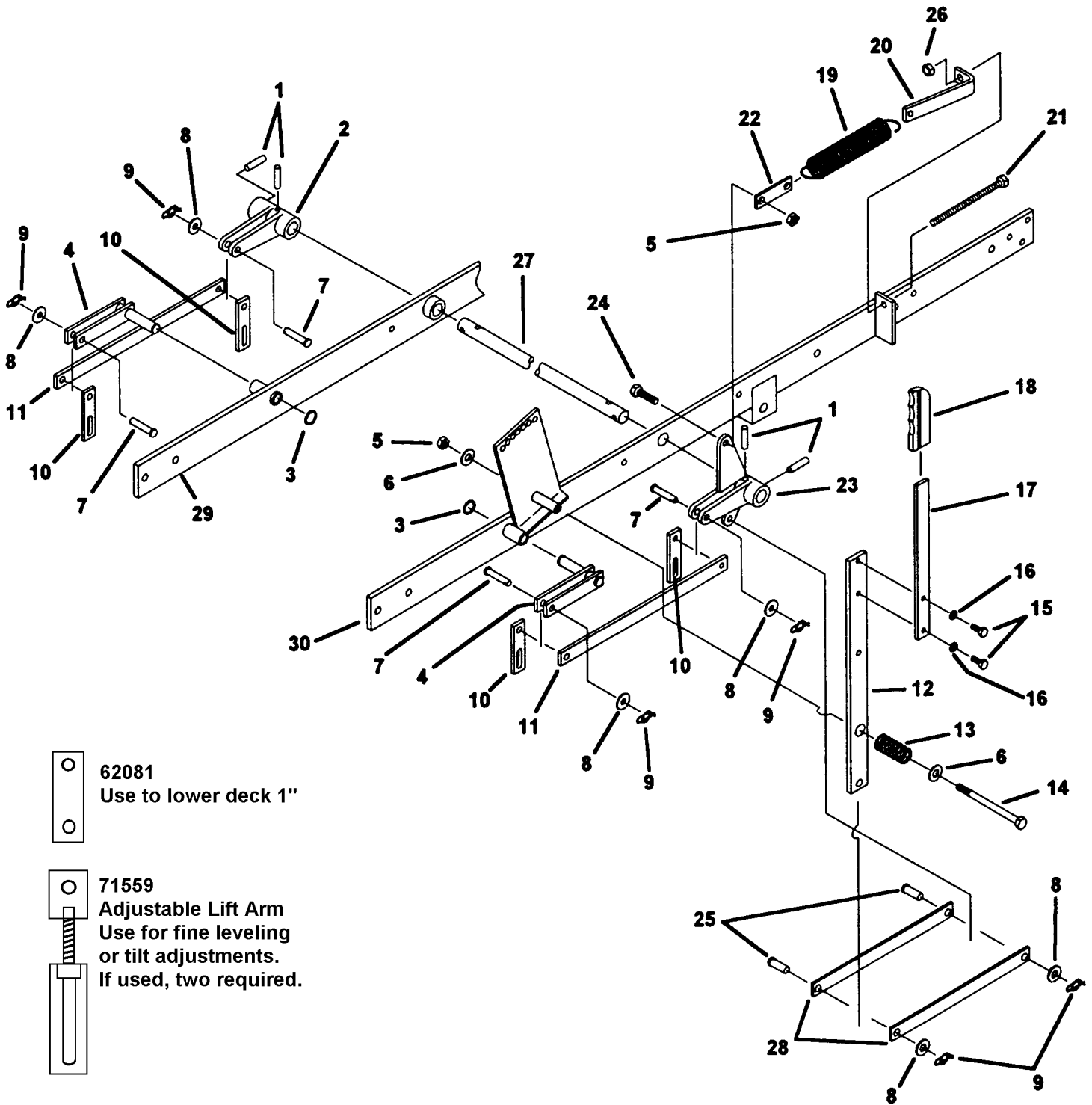
## DECK LIFT PARTS, 12 H.P. MODEL

<u>ITEM</u>	<u>PART NO.</u>	<u>DESCRIPTION</u>
1	79659	LIFT SLEEVE WELDMENT, R.H.
2	79658	LIFT SLEEVE WELDMENT, L.H
3	79894	DECK HANGER WELDMENT (2)
4	79131	DECK HANGER BAR (8)
5	79893	BAR, CONNECTING (2)
6	79930	HANDLE LINK 41" DECK (2)
7	79929	DECK LIFT ARM WELDMENT 41" DECK
8	79740	TOP, DECK HANDLE
9	79860	GRIP, HANDLE
10	79981	SPRING EXTENSION
11	79803	SPRING TIGHTENER
12	79368	SPRING
13	90590	BOLT, 3/8-16 X 3" GR. 5
14	79799	SPRING, COMPRESSION .975 O.D.
15	79833	BOLT, 3/8-16 X 5" FULL THREAD
16	79827	ROLL PIN, 5/16 X 1-1/4" HBK (4)
17	90587	BOLT, 3/8-16 X 1-1/4" GR. 5
18	90190	NUT, 3/8-16 UNC-2B
19	79273	NUT, 3/8-16 NYLOC (2)
20	79844	SPIROLOX RETAINING RING (2)
21	90052	LOCKWASHER, 1/4" SPLIT SPRING (2)
22	90073	BOLT, 1/4-20 X 3/4" GR. 5 (2)
23	90600	WASHER, FLAT STD. 3/8" (2)
24	90188	WASHER, FLAT STD. 5/16" (6)
25	79291	COTTER RUE RING 5/16-3/8 PIN (6)
26	79834	CLEVIS PIN, 3/8 X 1" (2)
27	79298	CLEVIS PIN, 5/16 X 1-3/4" (4)
28	79695	LIFT BAR
29	79647	FRAME SIDE WELDMENT, R.H.
30	79646	FRAME SIDE WELDMENT, L.H.



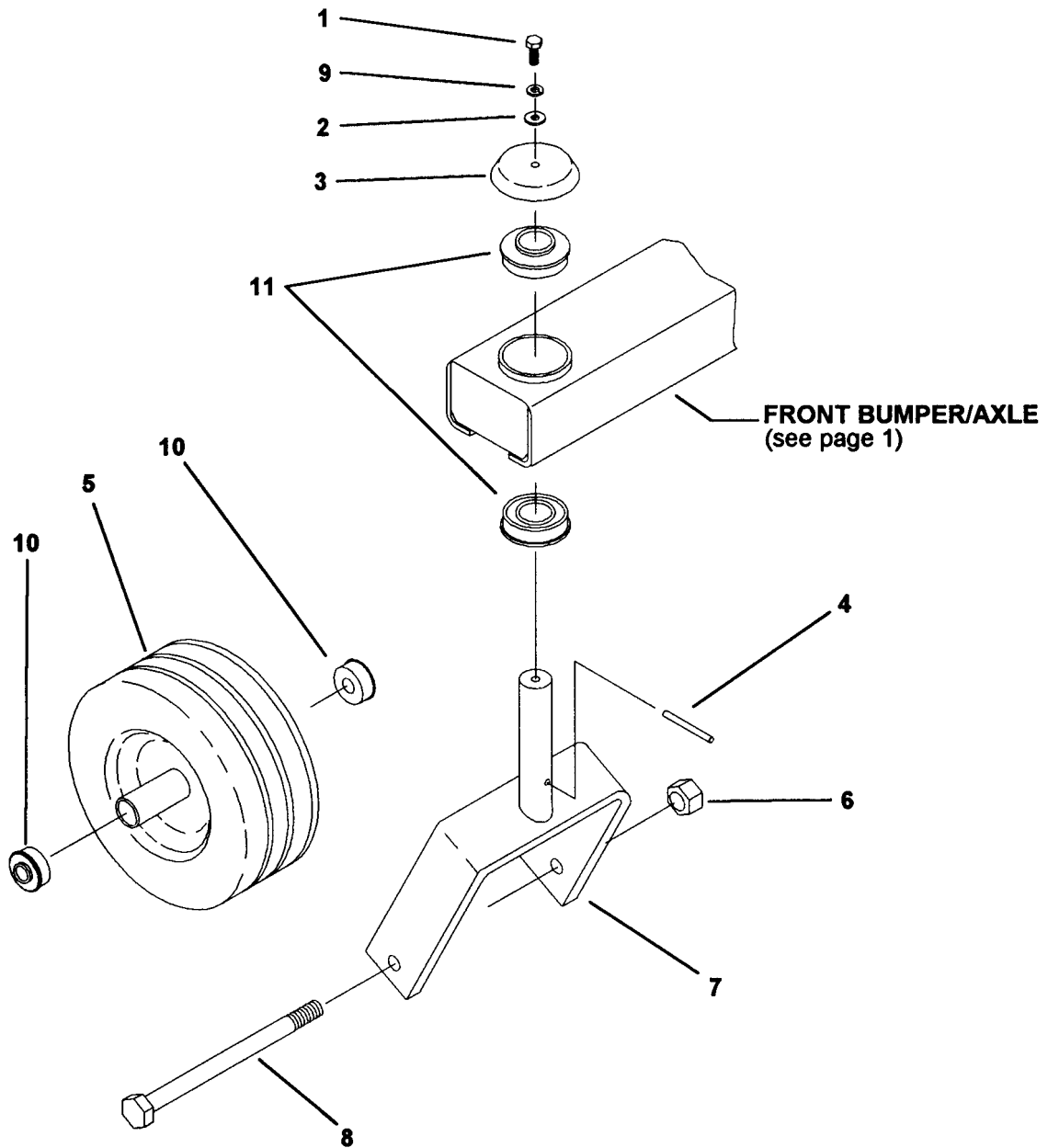
## DECK LIFT PARTS, 14, 18, 20 HP MODELS

<u>ITEM</u>	<u>PART NO.</u>	<u>DESCRIPTION</u>
1	79827	ROLL PIN, 5/16 X 1-1/4 HBK (4)
2	79659	LIFT SLEEVE WELDMENT, R.H.
3	79844	SPIROLOX RETAINING RING (2)
4	79894	DECK HANGER WELDMENT (2)
5	79273	NUT, 3/8-16, NYLOC (2)
6	90600	WASHER, FLAT STD. 3/8" (2)
7	79831	CLEVIS PIN, 5/16 X 1-1/2" LONG (4)
8	90188	WASHER, FLAT STD. 5/16" (6)
9	79291	COTTER RUE RING, 5/16-3/8 (6)
10	79131	DECK HANGER BAR (4)
11	79893	BAR, CONNECTING (2)
12	79741	LOWER HANDLE WELDMENT
13	79799	SPRING, COMPRESSION, .975 O.D.
14	90590	BOLT, 3/8-16 X 3" GR. 5
15	90073	BOLT, 1/4-20 X 3/4" GR. 5 (2)
16	90052	LOCKWASHER, 1/4" SPLIT SPRING (2)
17	79740	TOP DECK HANDLE
18	79860	GRIP, HANDLE
19	79628	SPRING, EXT., 1.65 O.D. X 9"
20	79803	SPRING TIGHTENER
21	79833	BOLT, 3/8-16 X 5" FULL THREAD
22	79981	SPRING EXTENSION
23	79658	LIFT SLEEVE WELDMENT, L.H.
24	90587	BOLT, 3/8-16 X 1-1/4" GR. 5
25	79834	CLEVIS PIN, 3/8 X 1" (2)
26	90190	NUT, HEX. 3/8-16 UNC-2B
27	79695	LIFT BAR
28	79697	HANDLE LINK (2)
29	79647	FRAME SIDE WELDMENT, R.H.
30	79646	FRAME SIDE WELDMENT, L.H.



# 10" CASTER WHEEL ASSEMBLY

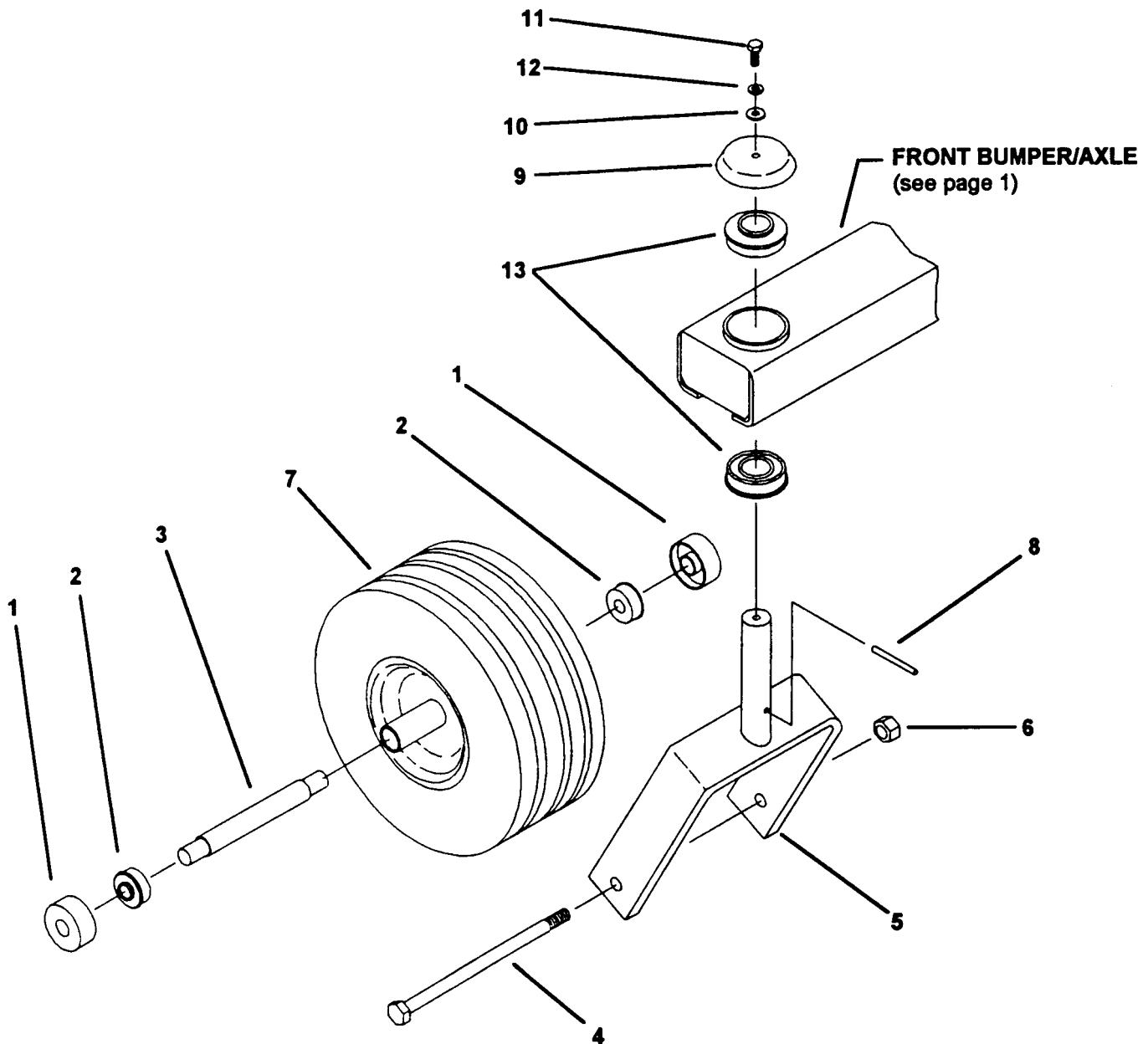
<u>ITEM</u>	<u>PART NO.</u>	<u>DESCRIPTION</u>
1	79344	BOLT, 1/4-20 X 5/8" GR. 5 (2)
2	79410	WASHER, FLAT STD. 1/4" (2)
3	79352	CAP, BEARING (2)
4	79285	PIN, SPIRAL 3/16 X 2" LIGHT DUTY (2)
5	79164	WHEEL, 410 X 350-4 W/RIM (2)
6	90755	LOCKNUT, 5/8-11 X 3/8 THK. TOP LOCK (2)
7	79759	CASTER WELDMENT 10" (2)
8	79312	BOLT, 5/8-11 X 7-1/2" GR. 5 (2)
9	90052	LOCKWASHER, 1/4" HEAVY SPRING (2)
10	79339	BEARING, 5/8 I.D. X 1-3/8 O.D. (4)
11	79331	BEARING, SPD SF-16-32 W/O COLLAR (4)





# 13" CASTER WHEEL ASSEMBLY

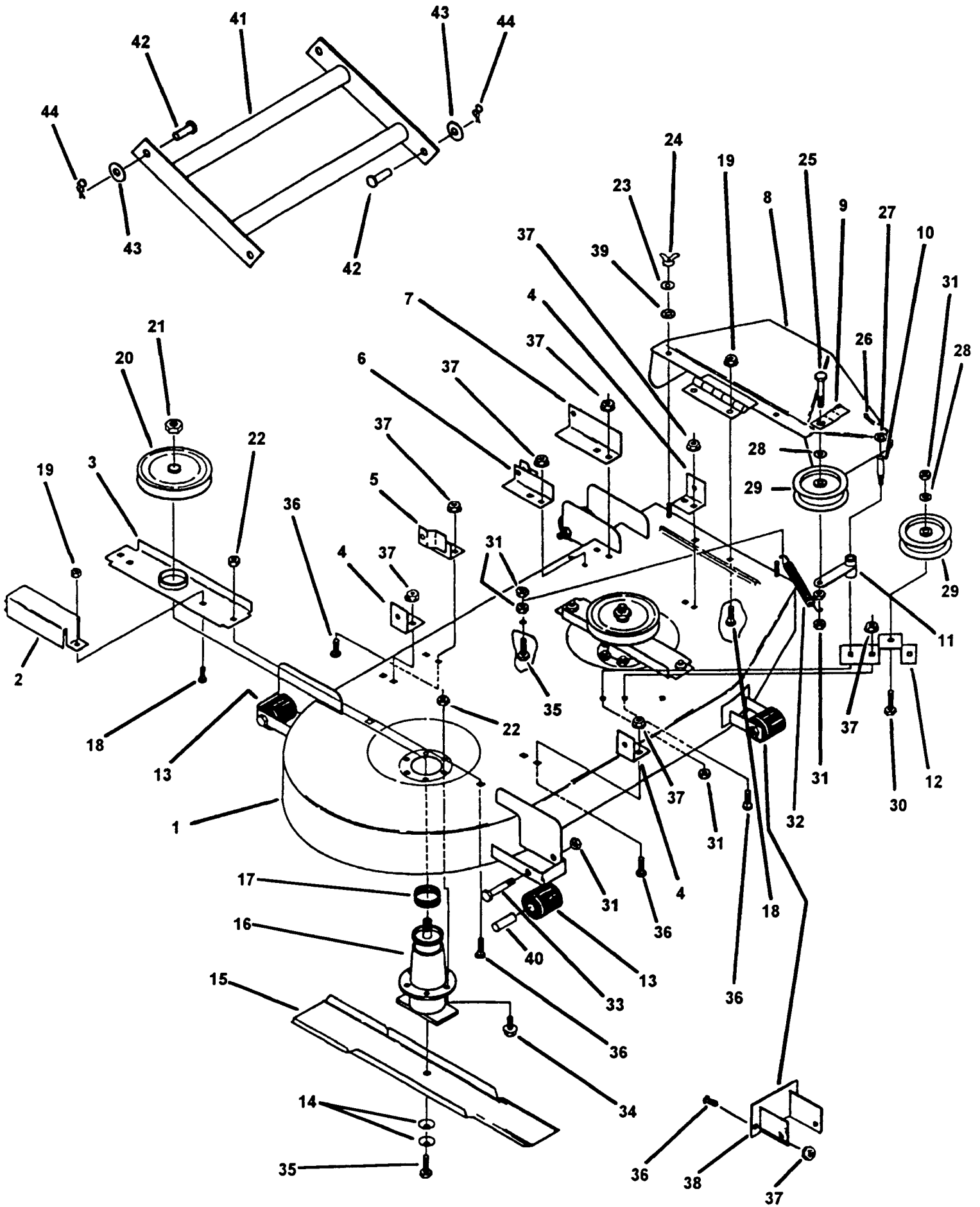
<u>ITEM</u>	<u>PART NO.</u>	<u>DESCRIPTION</u>
1	79357	SHIELD, BEARING (4)
2	79339	BEARING, 5/8 I.D. X 1-3/8 O.D. (4)
3	79358	SPACER, BEARING (2)
4	79363	BOLT, 1/2-13 X 8" GR.5 (2)
5	79684	CASTER WELDMENT (2)
6	79262	NUT, 1/2-13, STOVER (2)
7	79171	TIRE, 13X5-6, ON WHEEL, (STUDDED TREAD) (2)
-	62315	TIRE, 13X5-6, ON WHEEL, (RIBBED TREAD) (2)
8	79285	PIN, SPIRAL, 3/16 X 2 HEAVY DUTY (2)
9	79352	CAP, BEARING (2)
10	79410	WASHER, FLAT STD. 1/4" (2)
11	79344	BOLT, 1/4-20 X 5/8" GR.5 (2)
12	90052	LOCKWASHER, 1/4" HEAVY SPRING (2)
13	79331	BEARING, SPD SF-16-32 W/O COLLAR (4)



# 41" DECK ASSEMBLY

<u>ITEM</u>	<u>PART NO.</u>	<u>DESCRIPTION</u>
1	41582	41" DECK SHELL (Some holes may require drilling)
2	38080	GUARD, PULLEY
3	38078	BRACE, SPINDLE (2)
4	79924	ANGLE, DECK HANGER (3)
5	79923	PIVOT MOUNT WELDMENT L.H.
6	79922	PIVOT MOUNT WELDMENT R.H.
7	79925	ANGLE, DECK HANGER
8	51401	CHUTE ASSEMBLY
9	79920	BELT GUIDE
10	14408	STUD, IDLER
11	51399	IDLER ARM ASSEMBLY
12	38079	BRACKET, IDLER
13	19190	ANTI-SCALP WHEEL (4)
14	12063	WASHER, CONE (4)
15	19795	BLADE, 21" (2)
16	59622	SPINDLE ASSEMBLY (2) (see page 32 for breakdown)
17	12670	TOLERANCE RING, 3/4 (2)
18	90799	BOLT, 5/16-18 X 5/8" CARRIAGE (4)
19	90585	NUT, 5/16-18, FLANGED LOCK (4)
20	14397	PULLEY, 5-3/4" O.D. (2)
21	90820	NUT, 3/4-16, JAM (2)
22	90613	NUT, 3/8-16, FLANGE LOCK (16)
23	90187	LOCKWASHER, 5/16" SPLIT SPRING (2)
24	90375	WING NUT, 5/16-18 (2)
25	90455	BOLT, 3/8-24 X 2-1/4"
26	90041	COTTER PIN
27	90183	WASHER, 5/8 SAE
28	79921	SEAL WASHER (2)
29	18585	PULLEY (2)
30	90483	BOLT, 3/8-24 X 1-3/4"
31	90289	NUT, 3/8-24, CENTER LOCK (9)
32	14513	SPRING
33	90859	BOLT, 3/8-16 X 3-3/4" (4)
34	90612	BOLT, 3/8-16 X 3/4", FLANGE LOCK (12)
35	90824	BOLT, 3/8-24 X 1-1/4" (3)
36	90850	BOLT, 3/8-16 X 3/4", CARRIAGE (16)
37	90613	NUT, 3/8-16, FLANGE LOCK (16)
38	47913	BRACKET, ROLLER
39	11791	RETAINER, 5/16" BOLT (2)
40	15272	BUSHING, ROLLER (4)
41	79655	DRAG BAR WELDMENT
42	79284	CLEVIS PIN, 5/16 X 1-1/4" LONG (4)
43	90188	WASHER, FLAT STD. 5/16" (4)
44	79291	COTTER RUE RING, 5/16-3/8 PIN (4)
--	13010	DECAL, "BLOODY STUMP"
--	14852	DECAL, "CAUTION"
--	16973	DECAL, "CAUTION"
--	62045	DECAL, "MODEL #Z4102M"
--	79780	ENGINE TO DECK BELT, BP-106

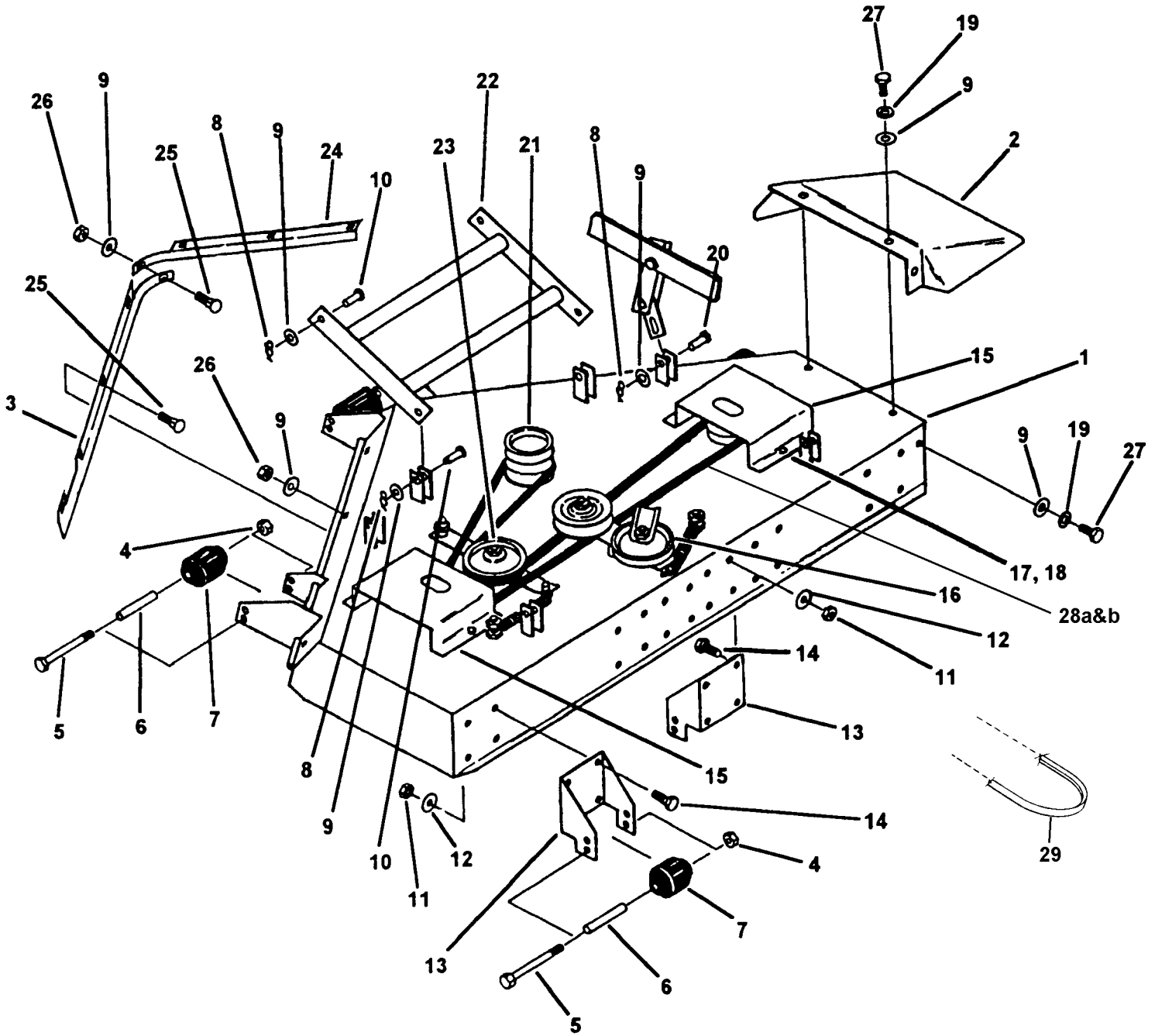
NOTE: ON LATER MODEL 41" DECKS (ITEM 38) BRACKET, ROLLER IS NOT USED IT WAS REPLACED BY A BRACKET ALREADY WELDED TO THE DECK SHELL.



## 42" & 48" DECK ASSEMBLY

<u>ITEM</u>	<u>PART NO.</u>	<u>DESCRIPTION</u>
1	79887	DECK WLDT. 42"
--	79889	DECK WLDT. 48"
2	79028	DECK CHUTE ASS'Y, 42"
--	79029	DECK CHUTE ASS'Y, 48"
--	79234	DECAL, BLOODY STUMP
3	79436	LIP BAFFLE, 42" L.H.
--	79434	LIP BAFFLE, 48" L. H.
4	90499	LOCKNUT, 3/8-16, .218 THICK (5)
5	90591	BOLT, 3/8-16 X 4-1/2" GR. 5 (5)
6	79023	ROLLER SPACER BUSHING (5)
7	79226	ROLLER (5)
8	79291	COTTER RUE RING, 5/16-3/8 PIN (8)
9	90188	WASHER FLAT STD. 5/16" (19)
10	79284	CLEVIS PIN, 5/16 X 1-1/4" LONG (5)
11	79273	NUT, 3/8-16 NYLOC (8)
12	90600	WASHER, FLAT STD. 3/8" (8)
13	79024	REAR ANTISCALPER BRACKET (2)
14	90603	BOLT, 3/8-16 X 7/8" GR. 5 (8)
15	79348	PULLEY COVER, LOW HEIGHT (2)
*16	79872	DOUBLE IDLER ASSEMBLY (see page 34 for breakdown)
--	62239	DOUBLE IDLER ASSEMBLY (see page 35 for breakdown)
17	90073	BOLT, 1/4-20 X 3/4" GR. 5 (4)
18	90052	LOCKWASHER, 1/4" SPLIT SPRING (4)
19	79267	LOCKWASHER, 5/16" SPLIT SPRING (3)
20	79831	CLEVIS PIN, 5/16 X 1-1/2" LONG (5)
21	79885	SPINDLE ASSEMBLY (3) (see page 30, 31 for breakdown)
22	79655	DRAG BAR WELDMENT
23	SEE PG. 36	SINGLE IDLER PARTS
24	79435	LIP BAFFLE, R.H.
25	79438	BOLT, 5/16-18 X 3/4" CARRIAGE (8)
26	90717	NUT, 5/16-18 NYLOC (8)
27	76934	BOLT, 5/16-18 X 3/4" GR. 5 (3)
--	79240	DECAL, "WARNING ROTATING BLADES.."
--	79242	DECAL, "MISSING DECK CHUTE"
--	62046	DECAL, "MODEL Z4202M"
--	62047	DECAL, "MODEL Z4802M"
28a	79778	42" DECK CROSS BELT, AP89
28b	79777	48" DECK CROSS BELT, AP100
29	79779	ENGINE TO DECK BELT, BP-82

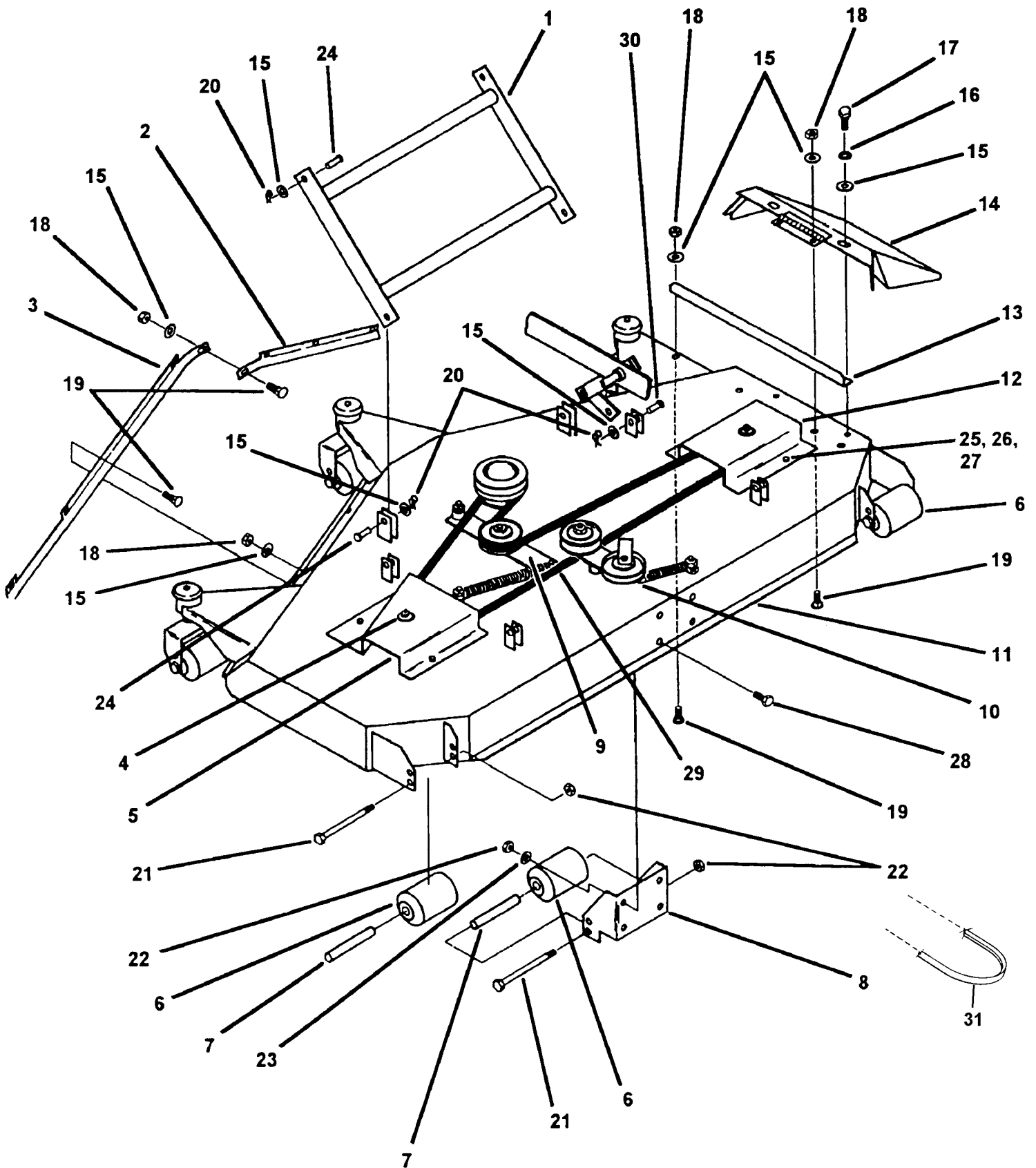
\*NOTE: IF ENGINE SHAFT HAS A FAN BETWEEN THE PULLEY AND CLUTCH THE #62239 DOUBLE IDLER ASS'Y IS REQUIRED. IF THE ENGINE SHAFT DOES NOT HAVE A FAN USE #79872 DOUBLE IDLER ASS'Y.



## 60" DECK ASSEMBLY

<u>ITEM</u>	<u>PART NO.</u>	<u>DESCRIPTION</u>
1	79655	DRAG BAR WELDMENT
2	79478	LIP BAFFLE R.H.
3	79479	LIP BAFFLE L.H.
4	79885	SPINDLE ASSEMBLY (3) (see pages 30, 31 for breakdown)
5	79043	PULLEY COVER, L.H. 60" DECK
6	79868	ROLLER, 3-3/4 X 4-13/16" LONG (6)
7	79882	BUSHING (6)
8	79881	BRACKET, REAR CENTER
9	SEE PG. 36	SINGLE IDLER PARTS
*10	79872	DOUBLE IDLER ASSEMBLY (see page 34 for breakdown)
--	62239	DOUBLE IDLER ASSEMBLY (see page 35 for breakdown)
11	79919	60" DECK WELDMENT, GEARDRIVE
12	79042	PULLEY COVER, R.H. 60" DECK
13	79884	OUTLET STIFFENER, 60" DECK
14	79926	CHUTE WELDMENT, 60' DECK ASS'Y
15	90188	WASHER, FLAT STD. 5/16" (25)
16	79851	LOCKWASHER, INT. STAR 5/16"
17	79850	THUMBSCREW, 5/16-18 X 3/4" LONG (2)
18	90717	NUT, 5/16-18 NYLOC (13)
19	79438	BOLT, 5/16-18 X 3/4" CARRIAGE (14)
20	79291	COTTER RUE RING, 5/16 - 3/8 PIN (8)
21	79845	BOLT, 3/8-16 X 6" GR. 5 (6)
22	79273	NUT, 3/8-16 NYLOC (4)
23	90600	WASHER, FLAT STD. 3/8" (5)
24	79284	CLEVIS PIN, 5/16 X 1-1/4" LONG (5)
25	90073	BOLT, 1/4-20 X 3/4" GR. 5 (4)
26	90052	LOCKWASHER, 1/4" SPLIT SPRING (4)
27	79410	WASHER, FLAT STD. 1/4" (4)
28	90603	BOLT, 3/8-16 X 7/8" GR. 5 (4)
29	79186	DECK CROSS BELT, A-112
30	79831	CLEVIS PING, 5/16 X 1-1/2" LONG (5)
--	79234	DECAL, "BLOODY STUMP"
--	79240	DECAL, "WARNING- ROTATING BLADES"
--	79242	DECAL, "MISSING CHUTE"
--	62048	DECAL. "MODEL #Z6002M"
31	79781	ENGINE TO DECK BELT, BP-81

\* NOTE: IF ENGINE SHAFT HAS A FAN BETWEEN THE PULLEY AND CLUTCH THE #62239 DOUBLE IDLER ASS'Y IS REQUIRED. IF THE ENGINE SHAFT DOES NOT HAVE A FAN USE #79872 DOUBLE IDLER ASS'Y.



**NOTE: SEE PAGE 33 FOR BREAKDOWN  
ON FRONT CASTER WHEEL ASSEMBLY**

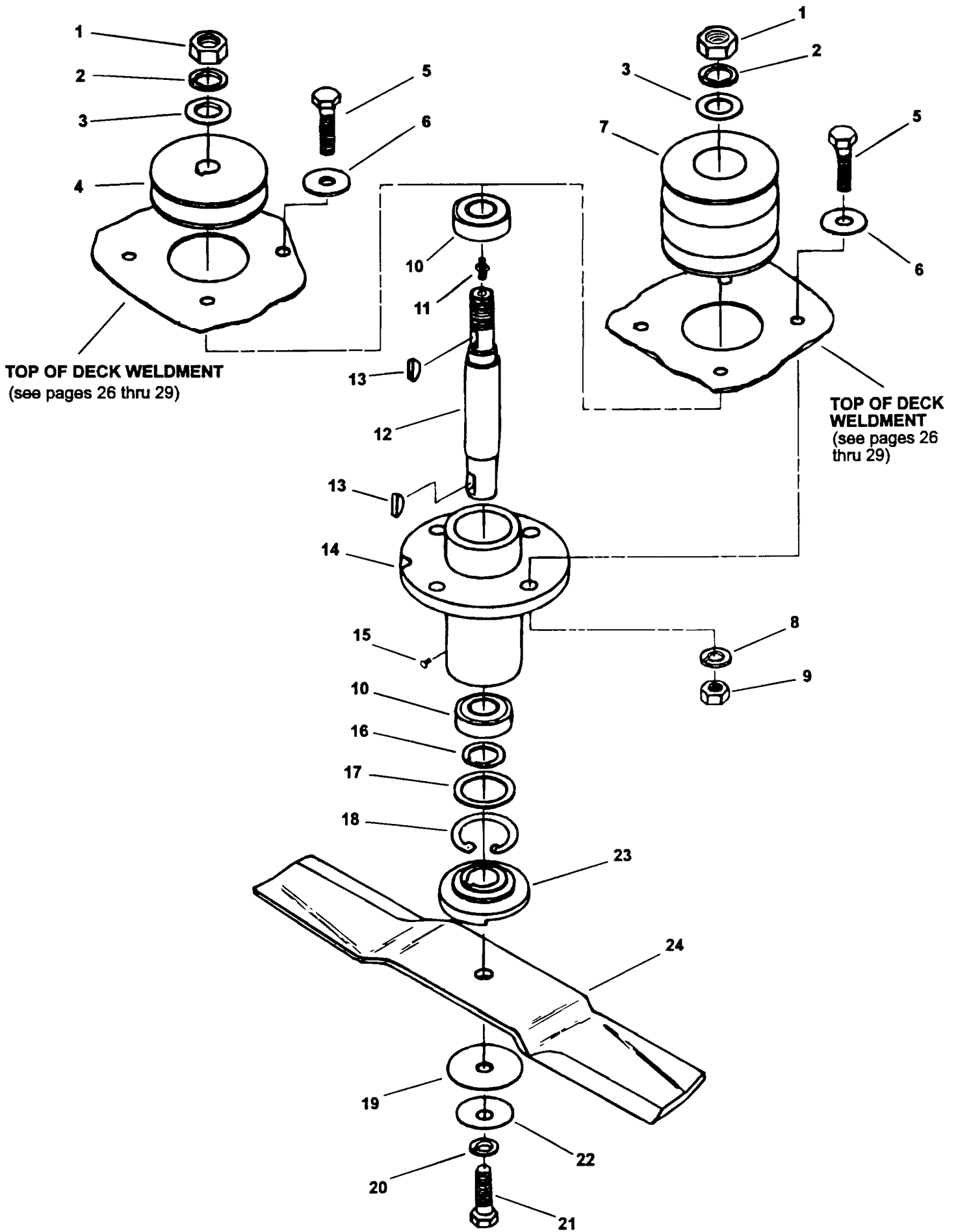
## 42, 48, 60 DECK SPINDLE ASSEMBLY

<u>ITEM</u>	<u>PART NO.</u>	<u>DESCRIPTION</u>
1	10027	NUT, HEX JAM, 3/4-16 UNF
2	79287	LOCKWASHER, 3/4" STD. SPLIT SPRING
3	79299	WASHER, 3/4" FLAT TYPE B NARROW
4	79818	PULLEY, 1 GROOVE 4" O.D., SPLIT STEEL
5	79326	BOLT, 3/8-24 X 1-1/2" GR. 5 (4)
6	79039	SPINDLE SPACER REINFORCEMENT (4)
7	-----	PULLEY, 2 GROOVE, SPLIT STEEL
--	79819	4" O.D., 42" DECK
--	79820	4-1/2" O.D., 48" DECK
--	79821	5-3/8" O.D., 60" DECK
8	79268	LOCKWASHER, 3/8" HEAVY SPRING TYPE (4)
9	90289	LOCKNUT, HEX. 3/8" HEAVY SPRING TYPE (4)
--	79885	DECK SPINDLE ASSEMBLY (3)
10	79813	BEARING, #6205-2RS (2)
11	79384	GREASE FITTING, 1/4-28 SELF TAP
12	79879	SPINDLE SHAFT
13	79159	WOODRUFF KEY, UASS #806, 1/4 X 3/4" (2)
14	79878	SPINDLE HOUSING
15	79269	SCREW RND. DR. #4 X 3/16"
16	79044	ARBOR SPACER
17	79876	WASHER SEAL
18	79855	SNAP RING, INTERNAL, 52 MM BORE
19	79038	WASHER, FLAT .515 I.D. X 2.50 O.D.
20	90254	LOCKWASHER, 1/2" STD. SPLIT SPRING
21	79308	BOLT, 1/2-13 X 1-1/2" GR. 5
22	79296	WASHER, 1/2" CUPPED
23	79877	BLADE SPACER
24	79221	BLADE, LOW LIFT, 15" CUT, 42" DECK
--	79369	LOW LIFT, 17" CUT, 48" DECK
--	79222	LOW LIFT, 21" CUT, 60" DECK

**NOTE:** OPTIONAL BLADES ARE AVAILABLE AS FOLLOWS:

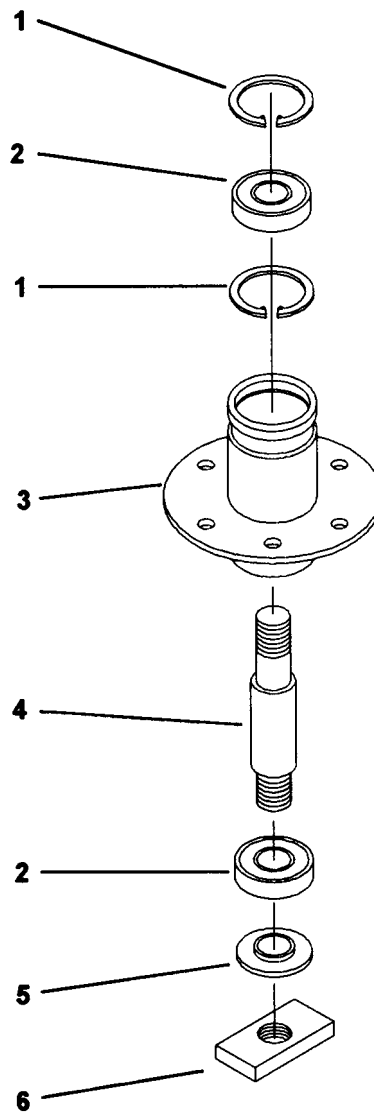
79389	BLADE, HIGH LIFT, 15" CUT, 42" DECK
79388	BLADE, HIGH LIFT, 17" CUT, 48" DECK
79371	BLADE, HIGH LIFT, 21" CUT, 60" DECK
62269	BLADE, NINJA MULCHING 21" (Drilled 26407)





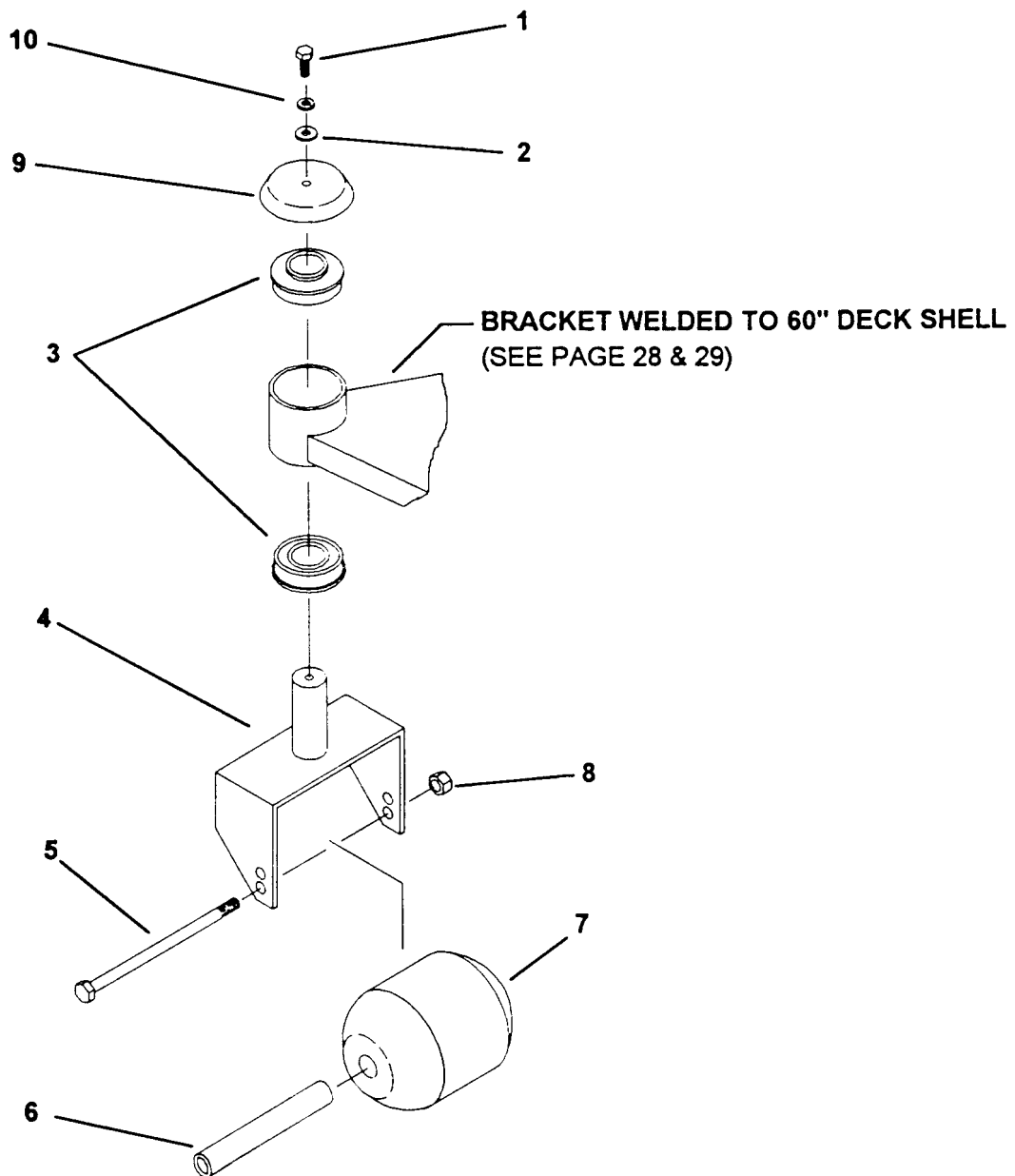
# 41" DECK SPINDLE ASSEMBLY

<u>ITEM</u>	<u>PART NO.</u>	<u>DESCRIPTION</u>
1	12491	RETAINING RING (2)
2	13313	BEARING, SPINDLE (2)
3	47825	SPINDLE HOUSING
4	27632	SPINDLE SHAFT
5	14407	WASHER, SPINDLE
6	32294	BLADE HOLDER



# 60" DECK CASTER WHEEL ASSEMBLY

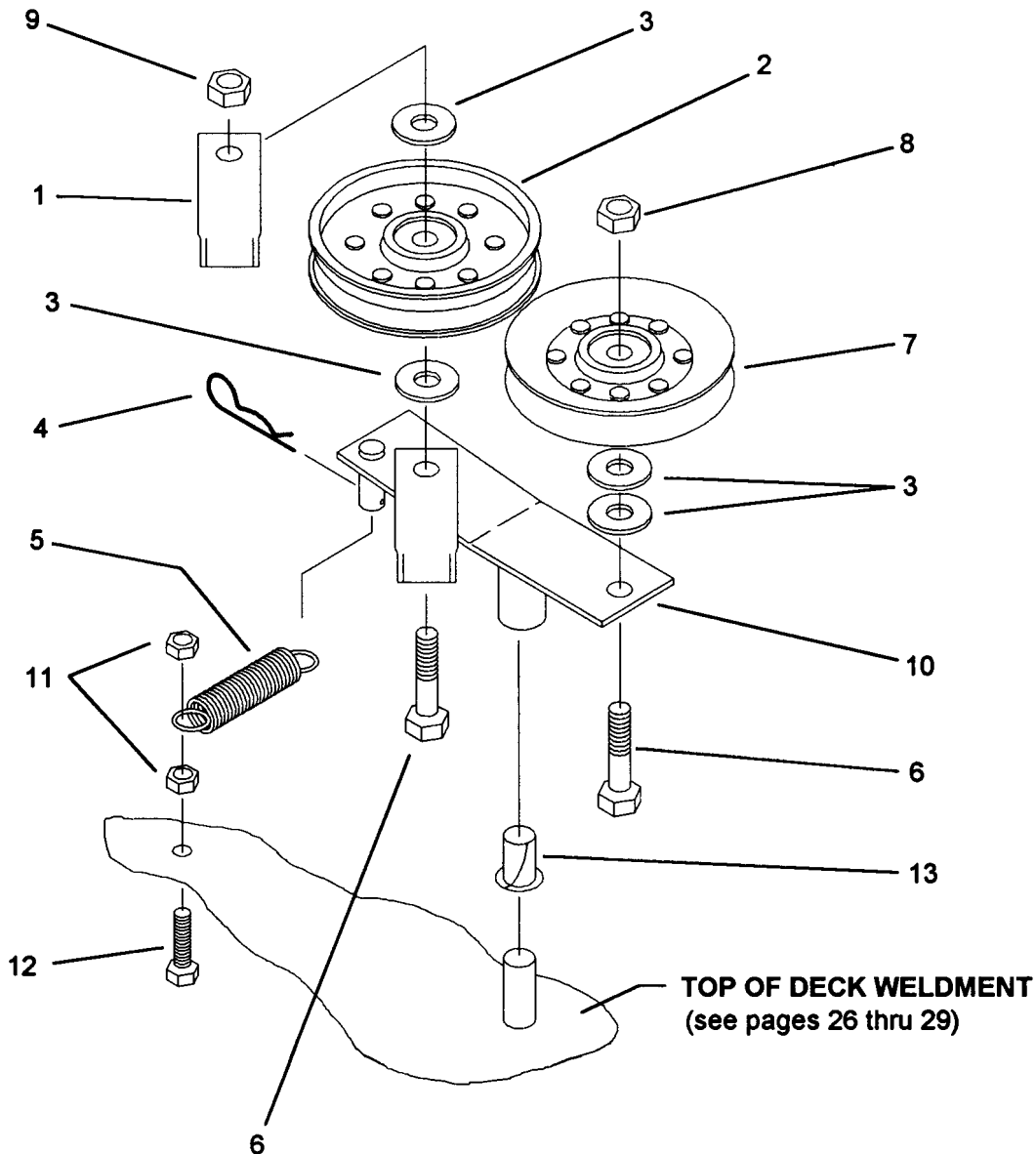
<u>ITEM</u>	<u>PART NO.</u>	<u>DESCRIPTION</u>
1	90073	BOLT, 1/4-20 X 3/4" GR. 5
2	79410	WASHER, FLAT STD. 1/4"
3	79331	BEARING, SPD SF-16-32 NO/COLLAR (2)
4	79883	SWIVEL YOKE WELDMENT
5	79845	BOLT, 3/8-16 X 6" GR. 5
6	79882	BUSHING
7	79868	ROLLER, 3-3/4" X 4-13/16" LONG
8	79273	NUT, 3/8-16 NYLOC
9	79352	CAP, BEARING
10	90052	LOCKWASHER, 1/4" SPLIT SPRING



# DOUBLE IDLER ASSEMBLY

ITEM	PART NO.	DESCRIPTION
--	79872	DOUBLE IDLER ASSEMBLY
1	79032	PLATE, BELT STOP
2	79167	PULLEY, FLAT IDLER 1/2 BORE, 4" O.D.
3	90250	WASHER, FLAT STD. 1/2" (4)
4	79289	PIN, HAIR SPRING, 1/8 X 2-1/2"
5	79217	SPRING EXTENSION, 3/4 X 4" O.A.L.
6	79276	BOLT, 1/2-13 X 2" GR. 5 (2)
7	79166	PULLEY, V-IDLER, 1/2 BORE, 4-3/8 O.D.
8	79277	NUT, 1/2-13, NYLOC
9	79262	NUT, 1/2-13, STOVER
10	79873	DOUBLE IDLER WELDMENT
11	90289	NUT, 3/8-24, M-F LOCKNUT (2)
12	79422	BOLT, 3/8-24 X 1-1/4" GR. 5
13	79175	BUSHING, NYLON, 5/8" BORE

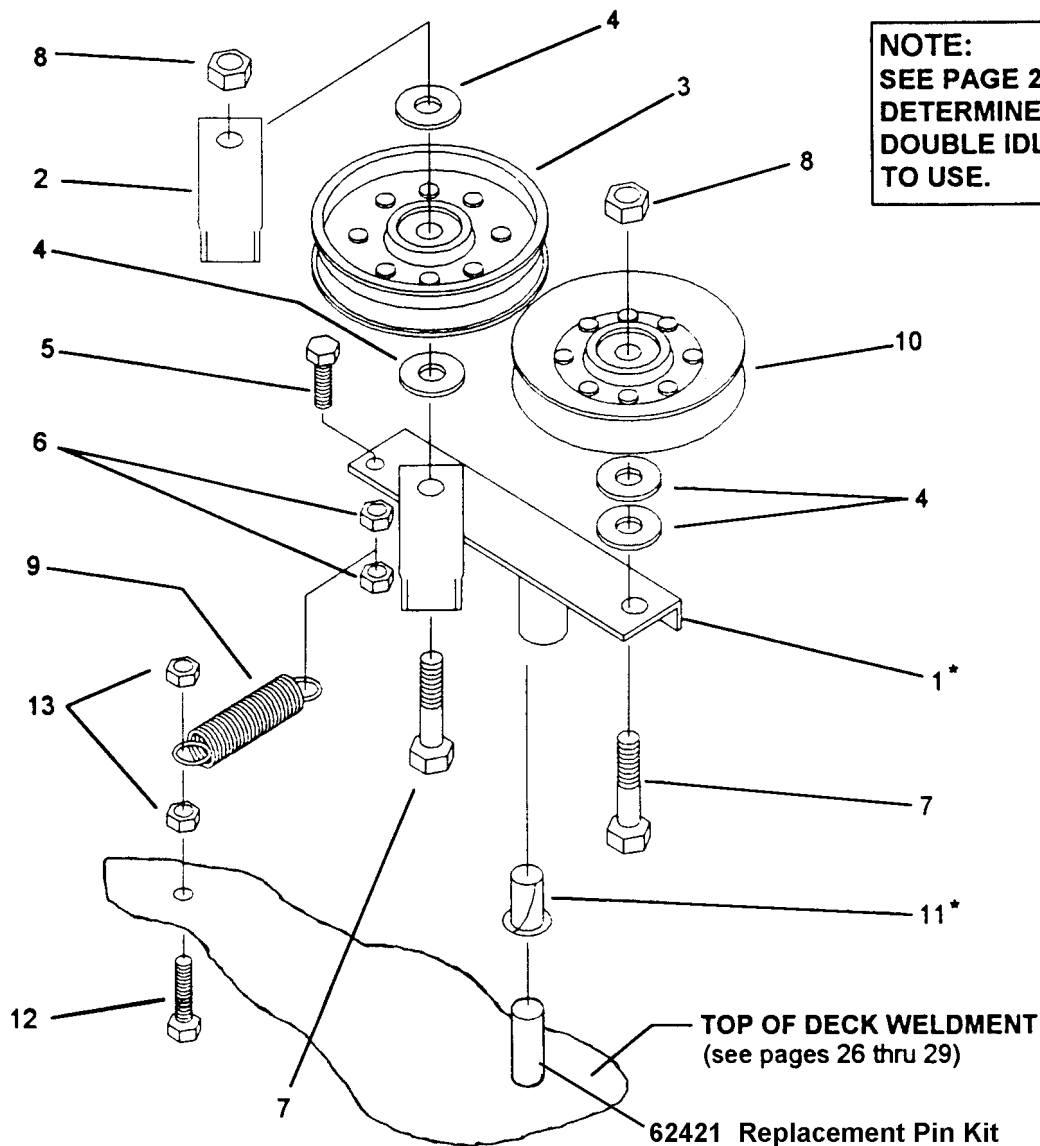
**NOTE:**  
SEE PAGE 26 OR 28 TO  
DETERMINE THE PROPER  
DOUBLE IDLER ASSEMBLY  
TO USE.



# DOUBLE IDLER ASSEMBLY

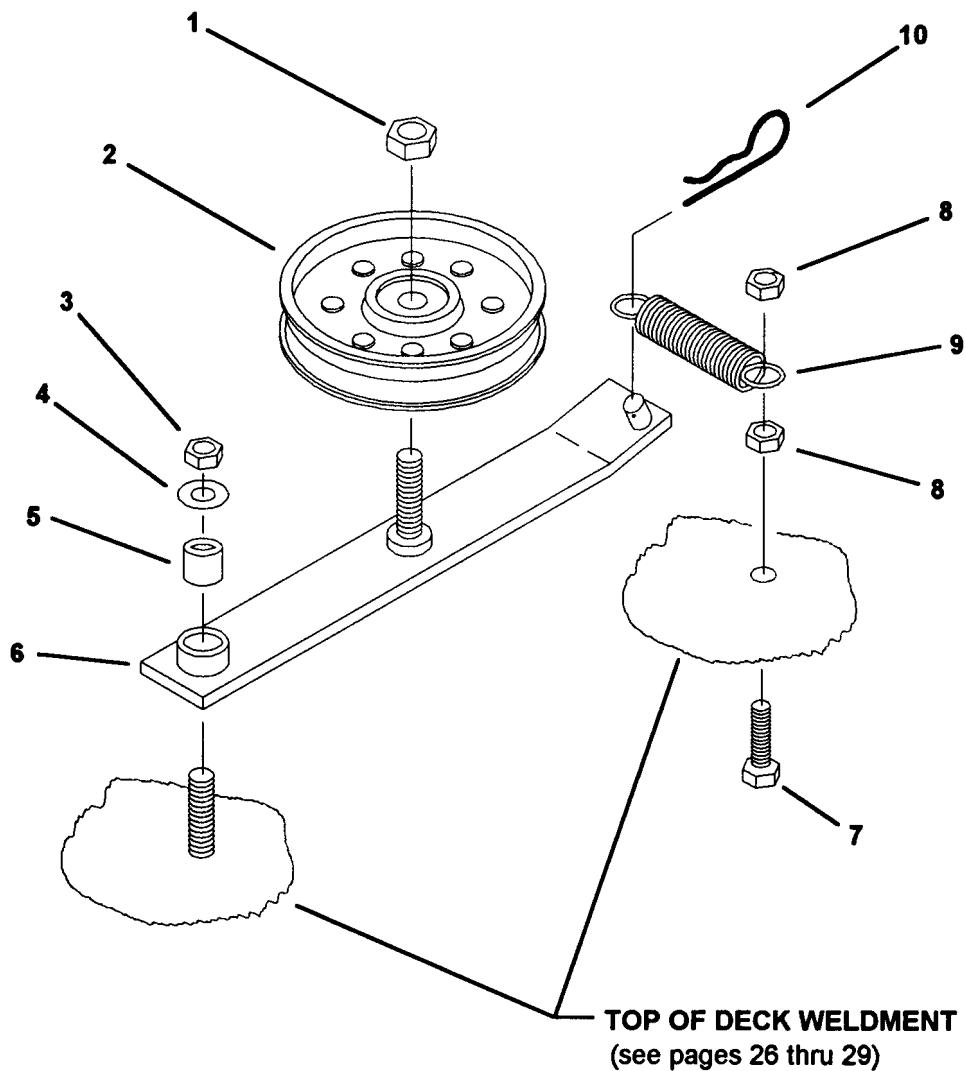
ITEM	PART NO.	DESCRIPTION			
10	79166	PULLEY, V-IDLER, 1/2" BORE, 4-3/8" O.D.			
—	62239	DOUBLE IDLER ASS'Y			
*1	62238	DOUBLE IDLER WELD. (see note below)	*11	79175	BUSHING, NYLON, 5/8" BORE
2	79032	PLATE, BELT STOP	12	79422	BOLT, 3/8-24 x 1-1/4", GR. 5
3	79167	PULLEY, FLAT IDLER 1/2" BORE, 4" O.D.	13	79327	NUT, 3/8-24, M-F LOCK (2)
4	90250	WASHER, FLAT 1/2" STD. (4)	<b>NEW STYLE IDLER STUD BOLT &amp; HARDWARE:</b>		
5	79422	BOLT, 3/8-24 x 1-1/4" GR. 5	62397	SCREW, SOCKET HEAD SET, 5/16-18 x 2-1/4"	
6	90289	NUT, 3/8-24, M-F LOCK (2)	62398	IDLER MOUNTING PIN	
7	79276	BOLT, 1/2-13 x 2", GR. 5 (2)	62399	BUSHING, IDLER MOUNTING	
8	79262	NUT, 1/2-13, STOVER (2)	62400	WASHER, .322 x 1-3/8" FLAT	
9	79217	SPRING, EXTENSION, 3/4" x 4" O.A.L.	62401	NUT, 5/16-18 STOVER LOCK	

\*- Early models of #62238 Double Idler Weldment require #79175, Nylon Bushing for proper operation. Later models and replacement parts of #62238 Double Idler Weldment are pre-assembled with 2 pressed-in pivot bushings (#15339) and do not require #79175 Nylon Bushing.



# SINGLE IDLER ASSEMBLY

<u>ITEM</u>	<u>PART NO.</u>	<u>DESCRIPTION</u>
1	79277	NUT, HEX. 1/2-13 NYLOC
2	79167	PULLEY, FLAT IDLER, 1/2 BORE, 4" O.D.
3	79273	NUT, HEX. 3/8-16 NYLOC
4	90600	WASHER, FLAT STD. 3/8" W SERIES
5	79174	BEARING OILITE, 3/8 I.D. X 5/8" O.D.
6	79015	SINGLE IDLER ARM WELDMENT, 60" DECK
-	79880	SINGLE IDLER ARM WLDT.. 42" & 48" DECK
7	79422	BOLT, 3/8-24 X 1-1/4" GR. 5
8	90289	NUT, 3/8-24, M-F LOCKNUT (2)
9	79217	SPRING, EXTENSION, 3/4 X 4" O.A.L.
10	79289	PIN, HAIR SPRING, 1/8 X 2-1/2"



# ACCESSORIES

<u>PART NO.</u>	<u>DESCRIPTION</u>
62309	OIL DRAIN EXTENSION KIT (Fits Series 02)
62277	HYDROSTAT AIR BLEED KIT (Fits Series 02)
62260	FLORIDA HEAT IMPROVEMENT KIT (Fits Early Series 02)
* 62275	24 OZ. OIL TANK KIT (Fits Early Series 02, Converts Dual Cup To Single Tank)
62276	24 OZ. OIL TANK ASS'Y (Replacement Tank Used in Above 2 Kits)
* 62274	OIL FLOW ENHANCEMENT KIT (Fits Series 02, early series 02 also requires #62275, 24 oz. Oil Tank Kit)
60900	42" GRASS BLOWER KIT (Requires 60772 Catcher)
60901	48" GRASS BLOWER KIT (Requires 60772 Catcher)
61079	41" GRASS BAGGER KIT (Requires 60772 Catcher)
60772	TWIN BAG GRASS CATCHER
61220	MULCHING KIT, 41" (w/Ninja Blades 21" #26407)
61306	MULCHING KIT, 48" (w/Ninja Blades 17" #27891)
62265	MULCHING KIT, 60" (w/Ninja Blades 21" #62269 Drilled)

\* FOR ADDITIONAL INFORMATION SEE SERVICE BULLETINS 1992-6, 1992-7 AND 1992-8

## NOTES

**Parts Manual for**

**SNAPPER®**

**ZERO TURN RADIUS MOWERS**

**MODELS:**

**Z1202B, Z1402K, Z1802K, &  
Z2002K (SERIES 02)**

**MODELS:**

**Z1203B, Z1403K, Z1803K, &  
Z2003K (SERIES 03)**

IT IS THE POLICY OF SNAPPER TO IMPROVE ITS PRODUCTS WHENEVER IT IS POSSIBLE AND PRACTICAL TO DO SO. WE RESERVE THE RIGHT TO MAKE CHANGES OR ADD IMPROVEMENTS AT ANY TIME WITHOUT INCURRING ANY OBLIGATION TO MAKE SUCH CHANGES ON PRODUCTS MANUFACTURED PREVIOUSLY.

**SNAPPER®** McDonough, GA., 30253 U.S.A.



## Free Manuals Download Website

<http://myh66.com>

<http://usermanuals.us>

<http://www.somanuals.com>

<http://www.4manuals.cc>

<http://www.manual-lib.com>

<http://www.404manual.com>

<http://www.luxmanual.com>

<http://aubethermostatmanual.com>

Golf course search by state

<http://golfingnear.com>

Email search by domain

<http://emailbydomain.com>

Auto manuals search

<http://auto.somanuals.com>

TV manuals search

<http://tv.somanuals.com>