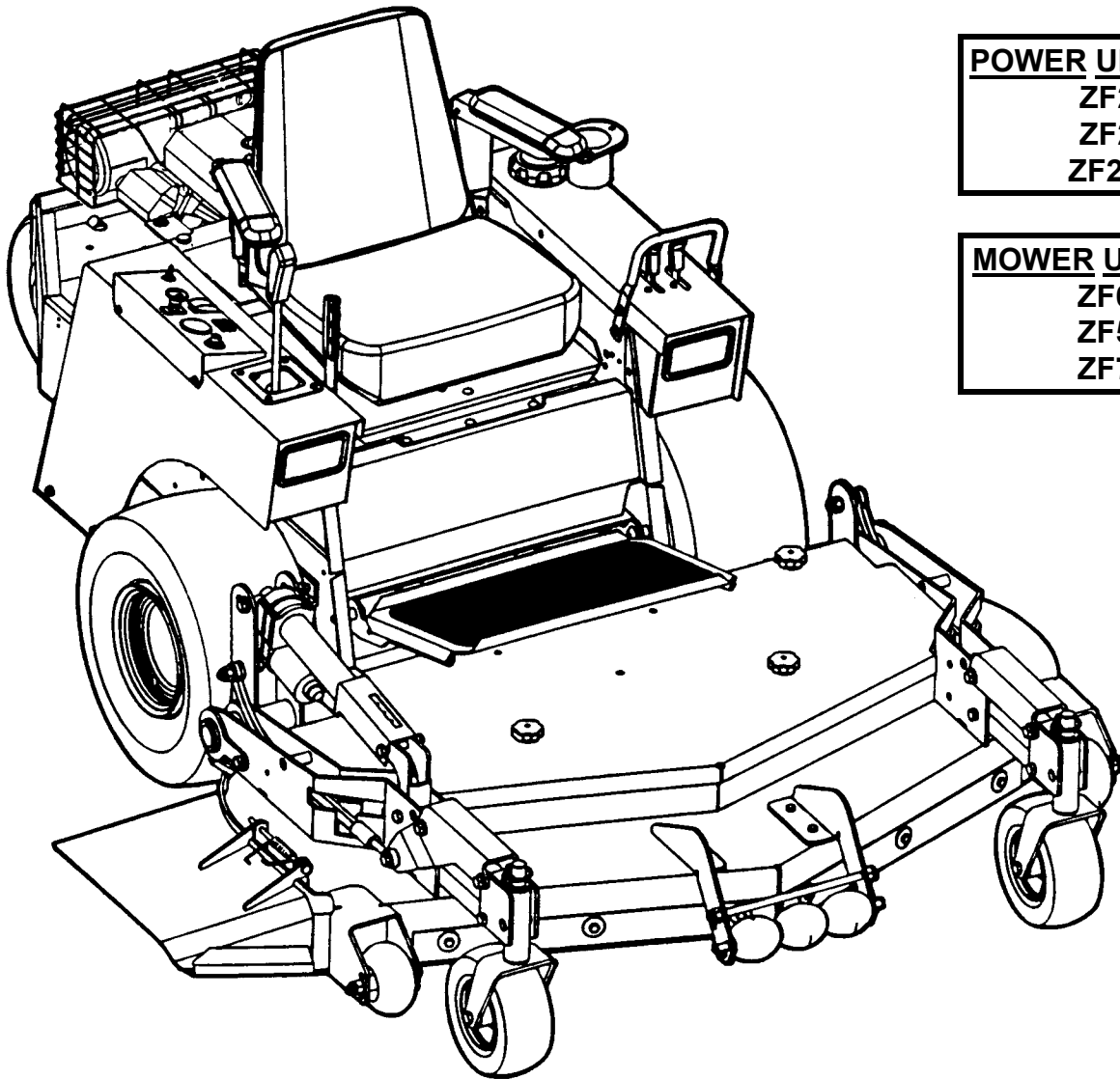


Parts Manual for
SNAPPER[®]

TM
**OUT FRONT Z-RIDER
ZERO TURNING HYDRO DRIVE
SERIES 0**



POWER UNIT MODELS

ZF2200K
ZF2500K
ZF2500KH

MOWER UNIT MODELS

ZF6100M
ZF5200M
ZF7301M

SNAPPER[®] McDonough, GA., 30253 U.S.A.

COPYRIGHT © 2002
SNAPPER INC.
ALL RIGHTS RESERVED

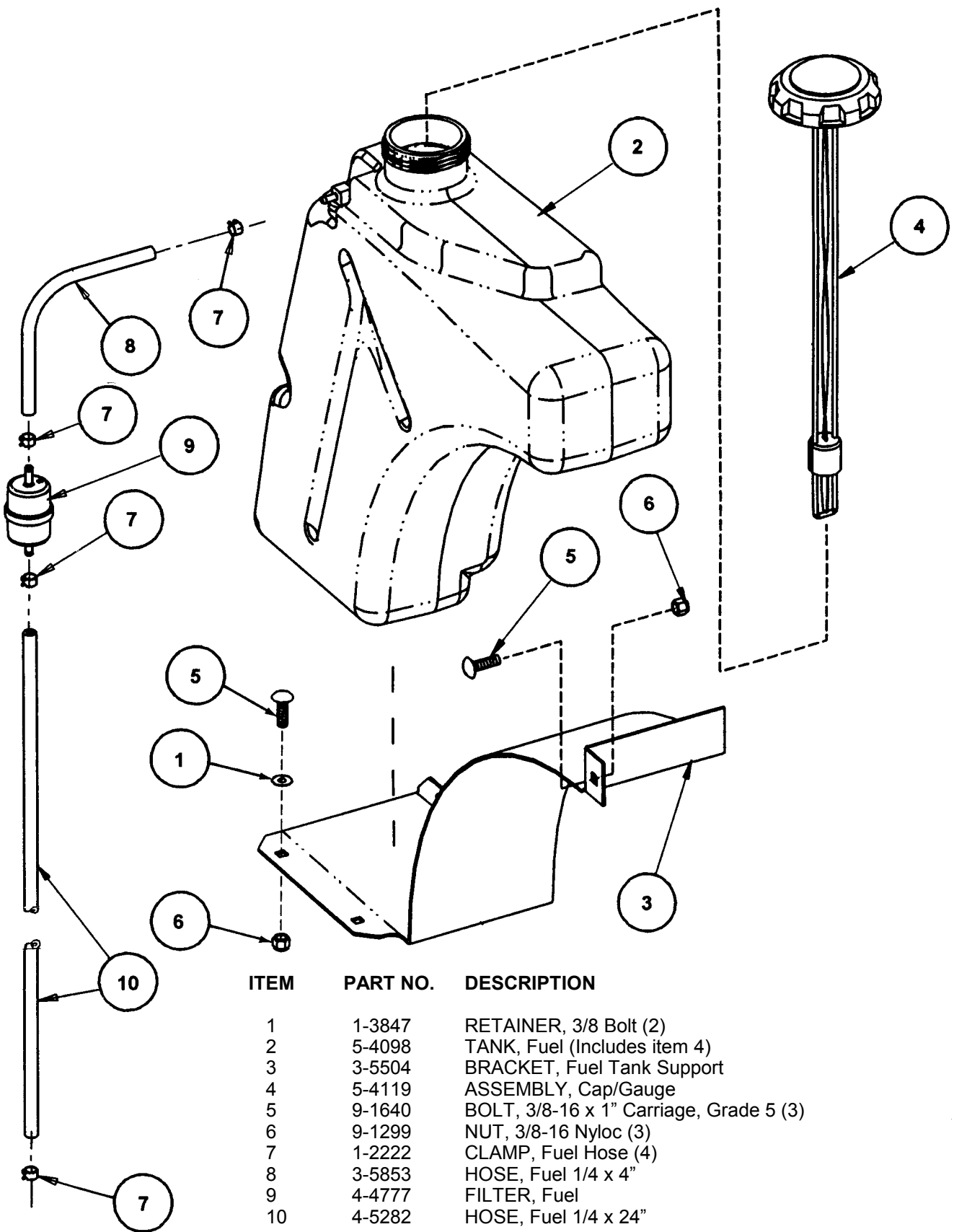
(REV 4, 9/30/02)

MANUAL No. 06106

CONTENTS

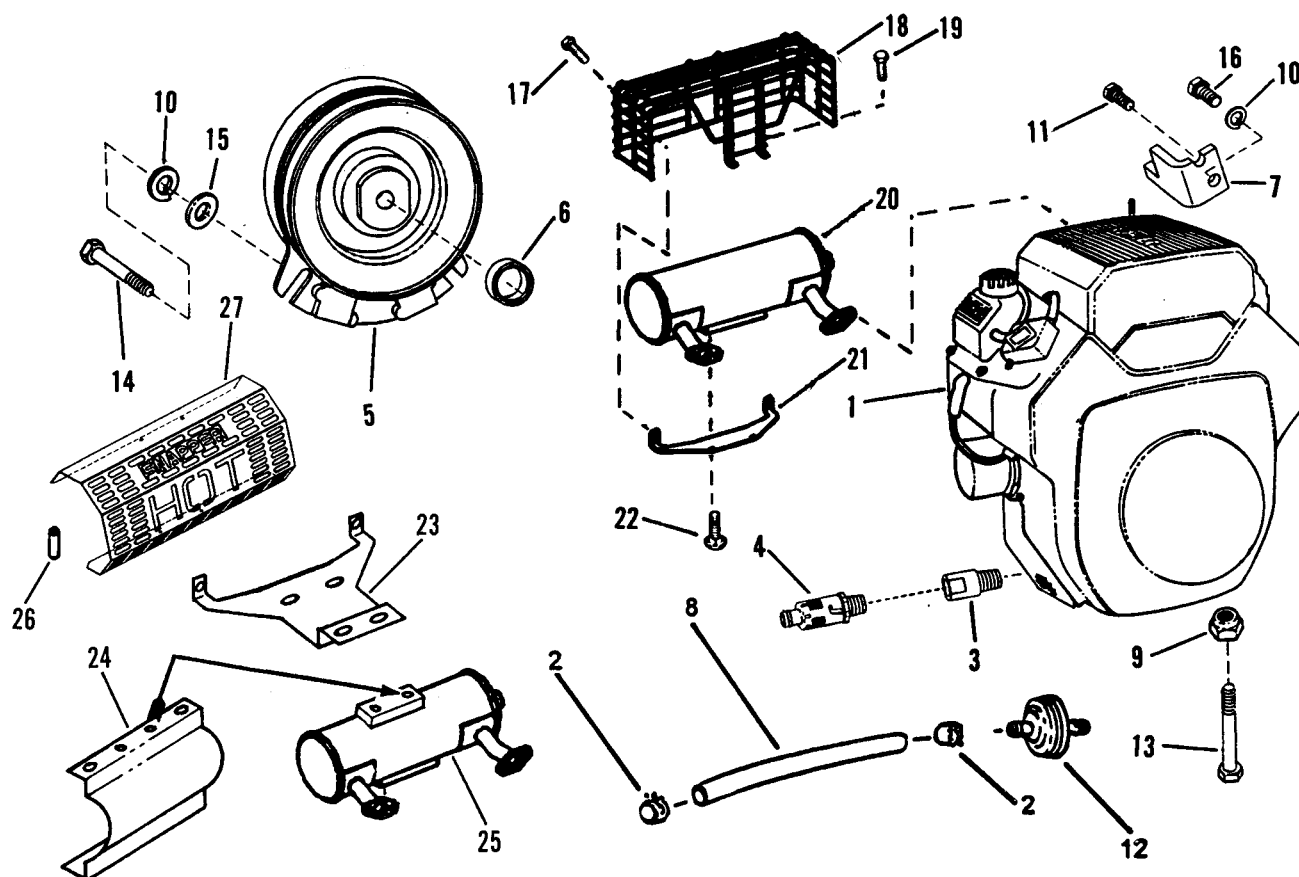
DESCRIPTION	PAGE
FUEL TANK ASSEMBLY	3
ENGINE ASSEMBLY	4
AIR INTAKE ASSEMBLY	5
TANDEM HYDRO TRANSAXLE ASSEMBLY	6 & 7
DRIVE TIRE/WHEEL ASSEMBLY	8
FOOTREST ASSEMBLY	9
HYDRO RESERVOIR ASSEMBLY	10
UPPER CHASSIS AND SEAT LATCH ASSEMBLY	11
LOWER CHASSIS/CASTER WHEEL ASSEMBLY	12 & 13
JOYSTICK CONTROL ASSEMBLY	14 & 15
PARKING BREAK ASSEMBLY	16 & 17
SEAT SUPPORT ASSEMBLY	18
FENDER/CONTROL CABLE ASSEMBLY	19
UPPER DRIVE SHAFT ASSEMBLY	20 & 21
DECK DRIVE SHAFT ASSEMBLY	22 & 23
CUTTER HOUSING ASSEMBLY	24
TRACTION DRIVE IDLER ASSEMBLY	25
DECALS	26 & 27
52" MOWER DECK ASSEMBLY	28 & 29
61" MOWER DECK ASSEMBLY	30 & 31
73" MOWER DECK SUB-ASSEMBLY	32 & 33
73" MOWER DECK ASSEMBLY	34 & 35
52 & 61" DECK IDLER ASSEMBLIES	36 & 37
73" DECK FRAME ASSEMBLY	38 & 39
73" DECK FRONT CASTER ASSEMBLY	40 & 41
ELECTRICAL COMPONENTS	42 & 43
SEAT ASSEMBLY	44 & 45
WIRING SCHEMATIC	46

FUEL TANK ASSEMBLY



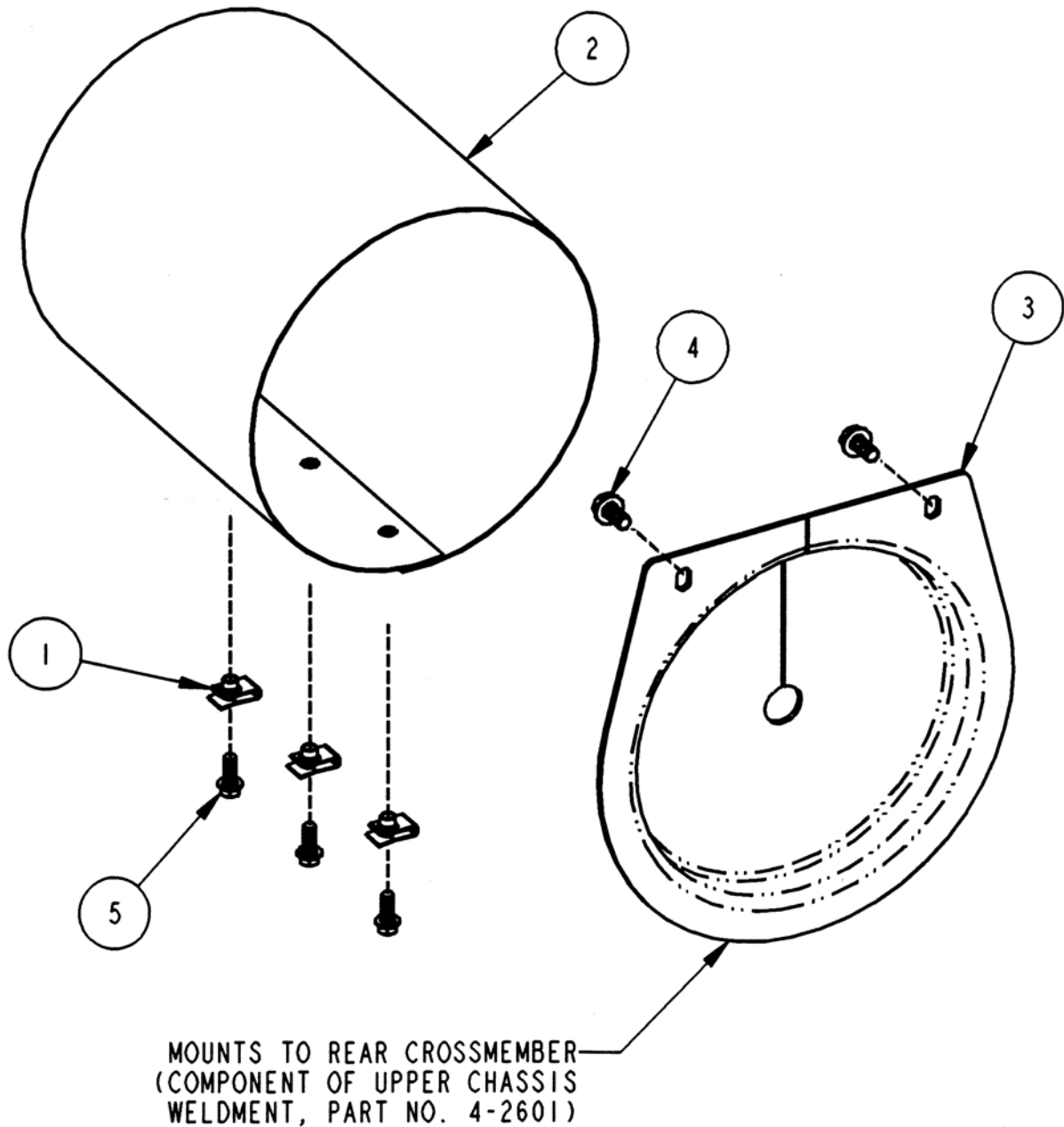
ITEM	PART NO.	DESCRIPTION
1	1-3847	RETAINER, 3/8 Bolt (2)
2	5-4098	TANK, Fuel (Includes item 4)
3	3-5504	BRACKET, Fuel Tank Support
4	5-4119	ASSEMBLY, Cap/Gauge
5	9-1640	BOLT, 3/8-16 x 1" Carriage, Grade 5 (3)
6	9-1299	NUT, 3/8-16 Nyloc (3)
7	1-2222	CLAMP, Fuel Hose (4)
8	3-5853	HOSE, Fuel 1/4 x 4"
9	4-4777	FILTER, Fuel
10	4-5282	HOSE, Fuel 1/4 x 24"

ENGINE SUB-ASSEMBLY



ITEM	PART NO.	DESCRIPTION
1	---	ENGINE, 22 HP (Kohler Part No. CH22S PS-66536)
--	---	ENGINE, 25 HP (Kohler Part No. CH25S PS-68577)
2	1-2222	CLAMP, Fuel Hose (2)
3	2-2486	OIL DRAIN, Short
4	2-7972	ASSEMBLY, Oil Valve
5	3-5520	CLUTCH, Electric, Commercial Magstop
6	3-5675	SPACER, Clutch
7	3-5852	BRACKET, Anti-Rotation (5/16")
8	3-5853	HOSE, Fuel 1/4 x 4"
9	9-1299	NUT, 3/8-16 Nycloc (4)
10	9-1301	WASHER, 7/16" Split Lock (2)
11	9-1304	SCREW, 3/8-16 x 1" Hex Head Cap, Grade 5
12	1-4359	FILTER, Fuel (in-line)
13	9-1553	SCREW, 3/8-16 x 1-3/4" Hex Head Cap, Grade 5 (4)
14	9-1806	SCREW, 7/16-20 x 1-1/2" Hex Head Cap Grade 5
15	9-1807	WASHER, 15/32 I.D. x 1-3/8 O.D. x 1/4 Flat
16	9-1808	SCREW, 7/16-14 x 1", Grade 5
17	9-1840	SCREW, M5 x 10mm Pan Head Cap (2)
18	4-2707	GUARD, Muffler
19	9-1839	SCREW, M5 x 16mm Hex Head Self Tapping (2)
20	---	MUFFLER, 22 HP (Kohler Part No. A-24 068 00)
21	4-2708	BRACKET, Muffler
22	9-1838	SCREW, M6 x 12.5mm Hex Flange Cap (2)
23	4-6486	BRACKET, Muffler 25 HP Kohler
24	4-6487	SHIELD, Heat 25 HP Kohler
25	---	MUFFLER, 25 HP (Kohler Part No. A-24 068 17)
26	7-2256	SPACER, Muffler Guard
27	7-2155	GUARD, Muffler "Snapper"

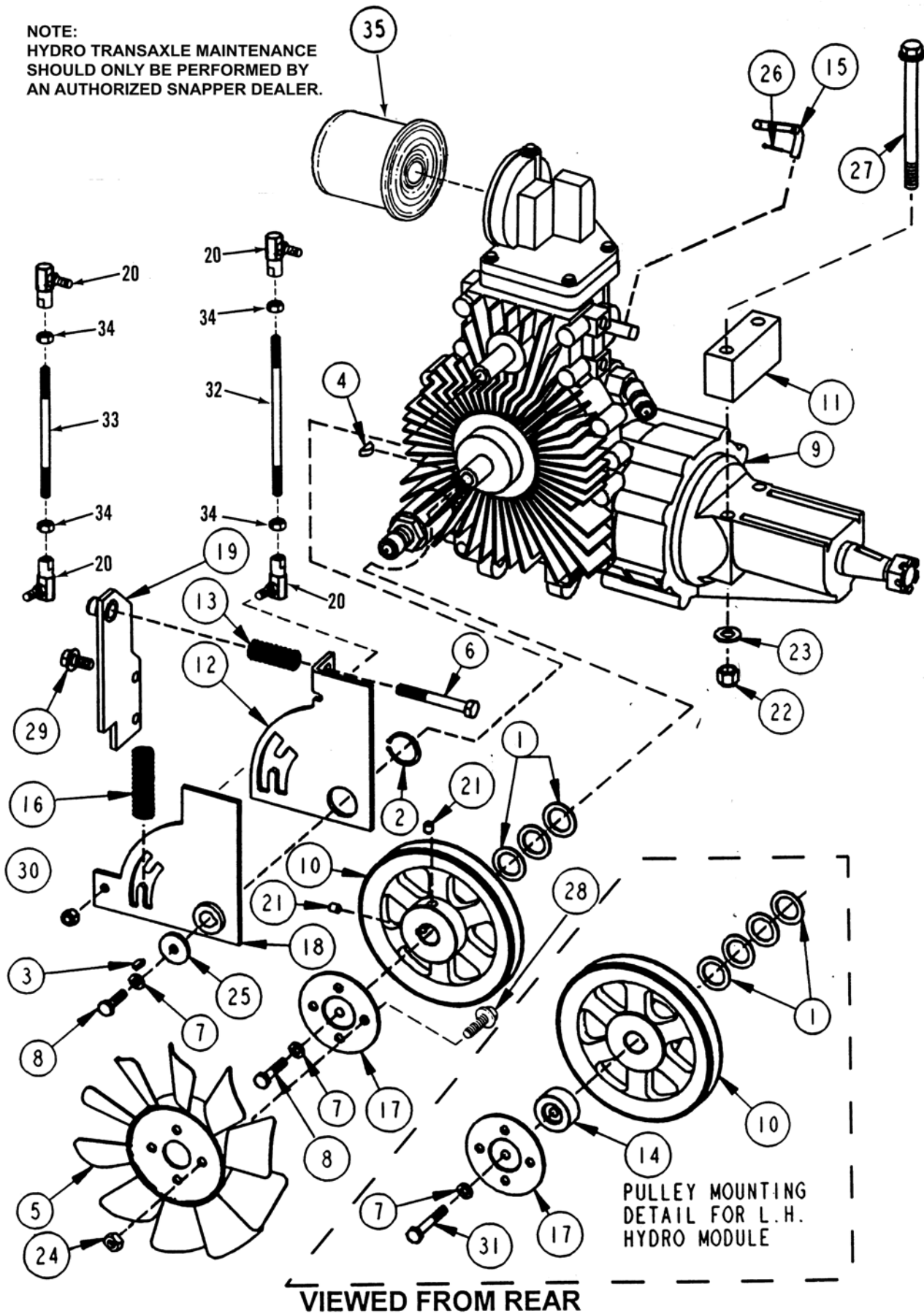
AIR INTAKE ASSEMBLY



ITEM	PART NO.	DESCRIPTION
1	2-3295	U-NUT, 1/4-20 (3)
2	3-5767	SCREEN, Air Intake
3	3-5768	MOUNT, Air Intake
4	9-0361	SCREW, 5/16-18 x 5/8" Hex Fl. Self-Tap (2)
5	9-1787	SCREW, 1/4-20 Hex Flange Lock (3)

TANDEM HYDRO TRANSAXLE ASSEMBLY

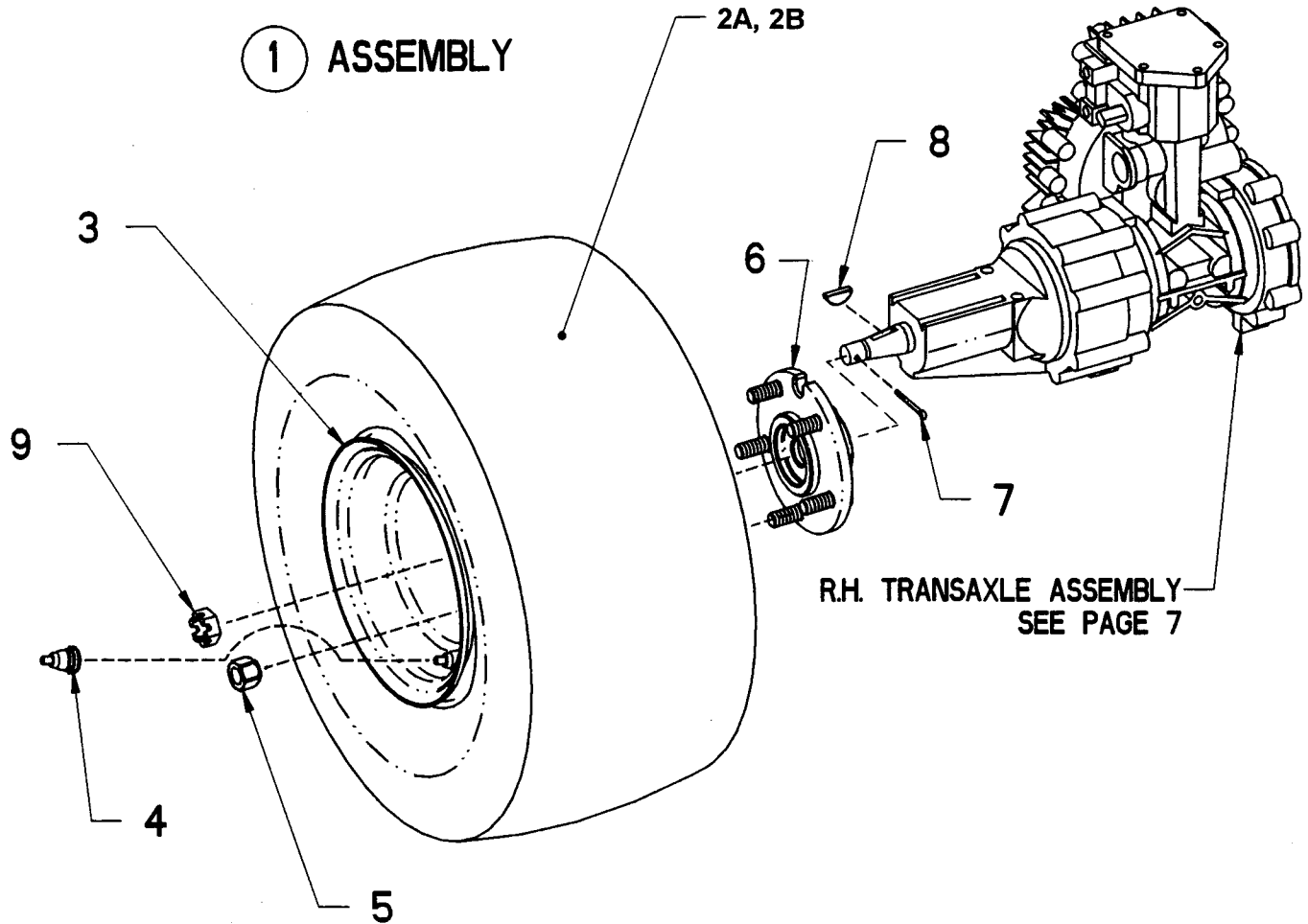
NOTE:
HYDRO TRANSAXLE MAINTENANCE
SHOULD ONLY BE PERFORMED BY
AN AUTHORIZED SNAPPER DEALER.



TANDEM HYDRO TRANSAXLE ASSEMBLY

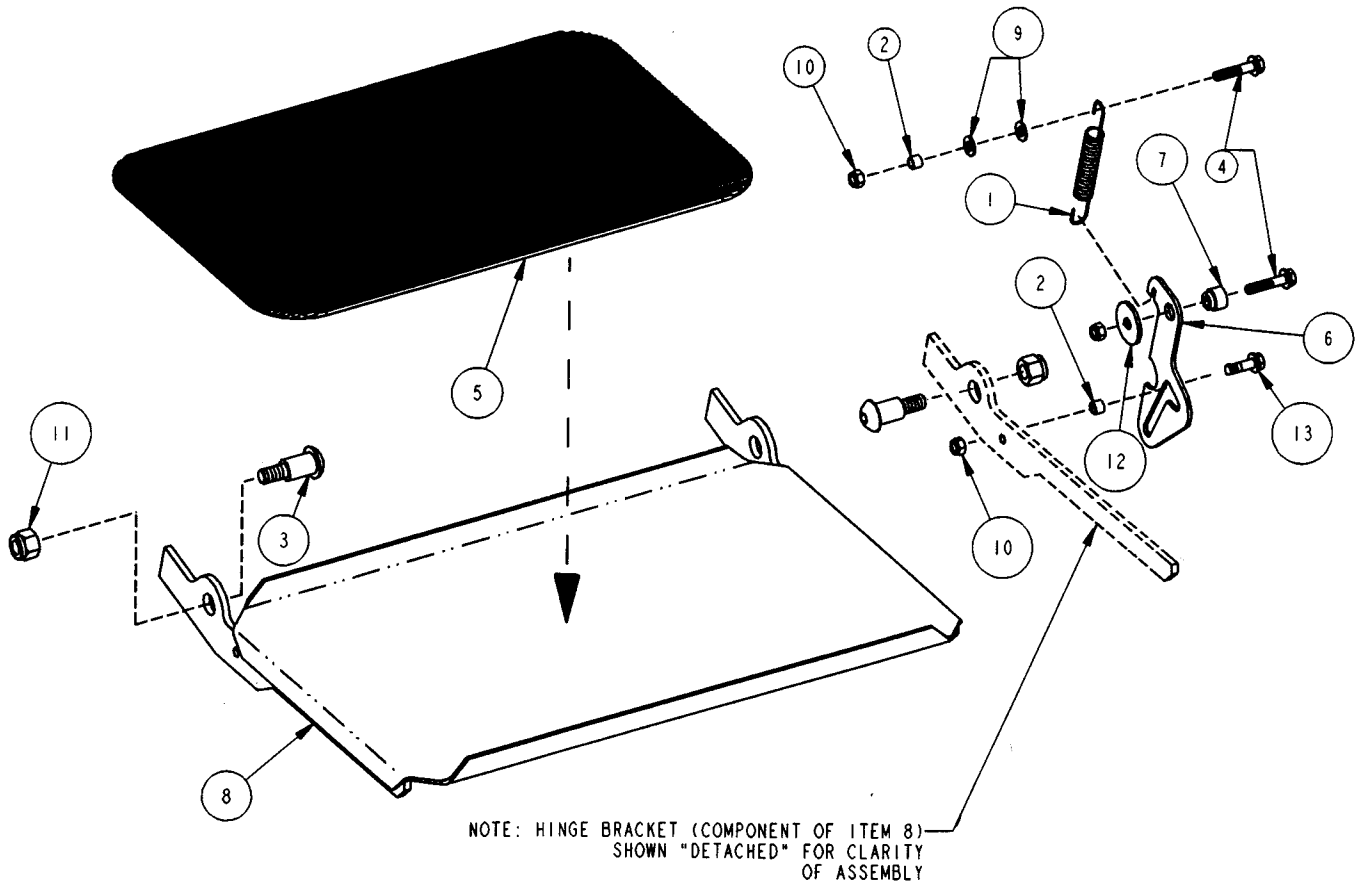
ITEM	PART NO.	DESCRIPTION
1	1-0935	WASHER, 3/4 I.D. x 1-1/8" O.D. Flat (7)
2	1-2709	RETAINING RING, 1" External (2)
3	1-4264	WOODRUFF KEY, #404 (2)
4	1-5894	WOODRUFF KEY, #605 (2)
5	1-8978	FAN, 10 Blade 7" Dia. (2)
6	2-7175	BOLT, 5/16-18 x 2-1/2" Hex Head (2)
7	2-7223	WASHER, 1/4 Split Lock (4)
8	9-1814	SCREW, 1/4-20 x 1-1/4", Hex Head Cap (3)
9	3-5522	ASSEMBLY, Transaxle 771B (R.H.) Side (shown)
--	5-8190	same as above but with 25 PSI bypass filter
--	3-5521	ASSEMBLY, Transaxle 771A (L.H.) Side
--	5-8190	same as above but with 25 PSI bypass filter
10	3-5547	PULLEY, Transmission Input (2)
11	3-5634	SPACER, Transaxle (2)
12	3-5910	PLATE, Neutral Adjust (2)
13	3-5915	SPRING, Neutral Return Adjust (2)
14	3-5923	SPACER/ADAPTER, Fan
15	3-5925	ROD, Roll Release (2)
16	3-5927	SPRING, Neutral Return (2)
17	4-2612	SPACER, Fan (Weldment) (2)
18	4-2639	CAM, Neutral Return (Weldment) (2)
19	5-4293	PLATE, Neutral Return (Weldment) (2)
20	1-5753	BALL-JOINT (4)
21	9-0201	SET SCREW, 5/16-18 x 5/16" Hex Recess (4)
22	9-1299	NUT, 3/8-16, Hex Nyloc (4)
23	9-1514	WASHER, 13/32 I.D. x 13/16 O.D. Flat (4)
24	9-1603	NUT, 1/4-20 Hex Nyloc (8)
25	9-1627	WASHER, 1/4 I.D. x 1" O.D. (2)
26	9-1629	COTTER-PIN, 1/16 x 1/2" (2)
27	9-1786	BOLT, 3/8-16 x 4-3/4" Grade 5 (4)
28	9-1787	SCREW, 1/4-20 x 5/8", Hex Flange Lock, Grade 5 (8)
29	9-1811	BOLT, 5/16-18 x 5/8", Hex Flange Lock (4)
30	9-1812	NUT, 1/4-28, Hex Nyloc (4)
31	9-0505	SCREW, 1/4-20 x 2", Hex Head Cap, Grade 5
32	3-5914	ROD, Threaded 1/4-28 x 5-3/8"
33	3-5916	ROD, Threaded 1/4-28 x 4-3/8"
34	9-1605	NUT, 1/4-28 Hex, Grade 5 or B (4)
35	4-2715	FILTER, Oil (EATON No. 103144)

DRIVE TIRE/WHEEL ASSEMBLY



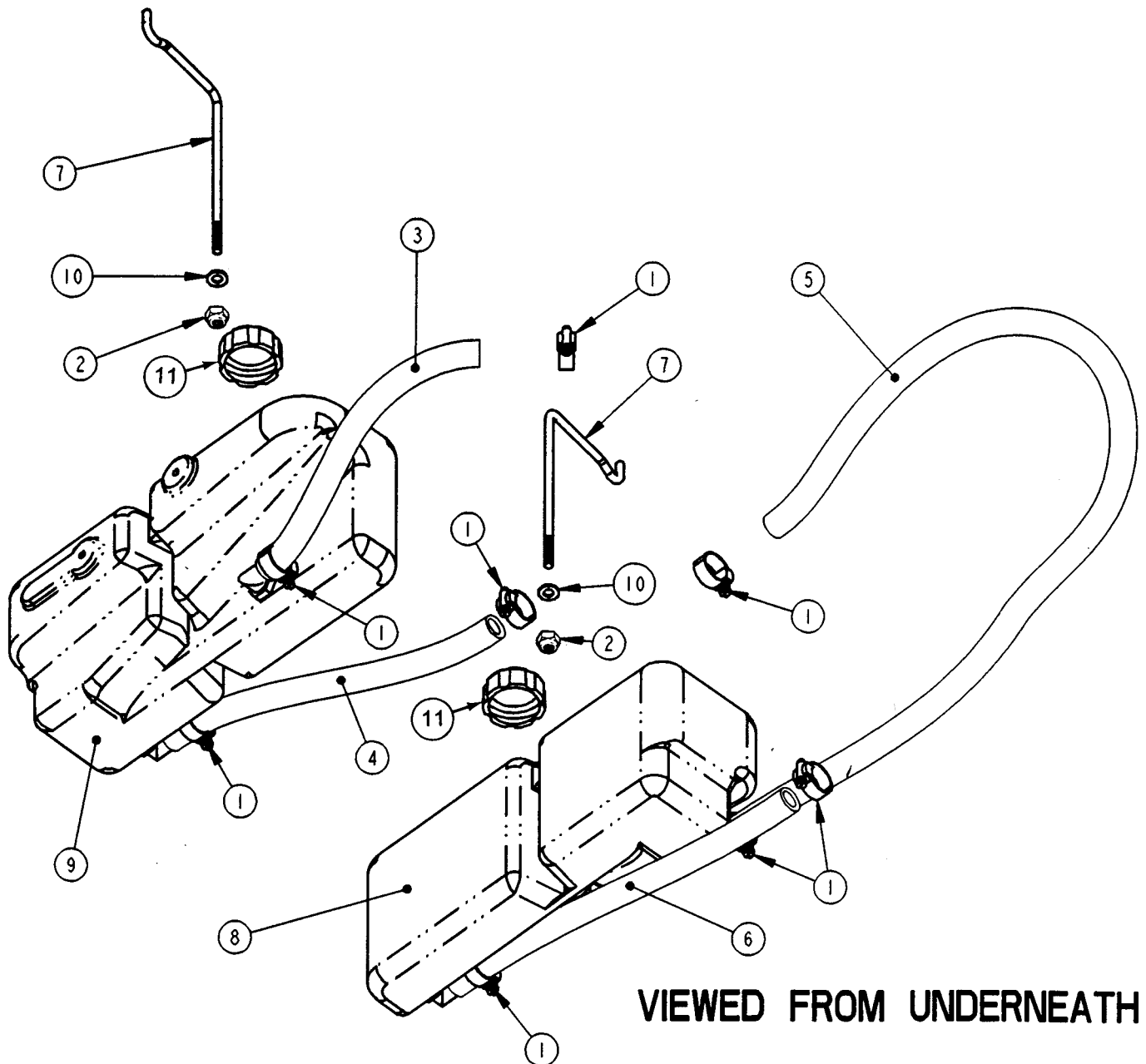
ITEM	PART NO.	DESCRIPTION
1	5-4109	ASSEMBLY, Rear Tire & Rim (Includes Item 2A, 3 & 4)
--	5-4510	ASSEMBLY, Rear Tire & Rim (Includes 2B , 3 & 4)
2A	5-4110	TIRE, 20 x 10.00-8 4 ply "Multi-trac C/S"
2B	4-4707	TIRE, 21 x 11.00-8 "All Terrain 101"
3	5-4111	RIM, 8" Dia. X 7-3/4"
4	1-2234	VALVE, Air
5	2-7192	NUT, 1/2-20 Lug (5)
6	5-4461	ASSEMBLY, Wheel Hub
7	9-1793	PIN, Cotter, 9/64 x 1-1/2
8	9-1778	KEY, #808 Woodruff
--	9-1978	KEY, #806 Woodruff
9	9-1828	NUT, 3/4-20 Slotted Hex

FOOTREST ASSEMBLY



ITEM	PART NO.	DESCRIPTION
1	2-2696	SPRING
2	2-8810	BUSHING, 5/16 I.D. x 7/16 O.D. x 3/16 (2)
3	3-5849	BOLT, 1/2-13, 3/4 Dia. X 1-1/16 Shoulder (2)
4	9-1602	BOLT, 5/16-18 x 1-1/2 Hex Flange Lock, Grade 5 (2)
5	3-5855	FOOT PAD, Rubber
6	3-5978	PLATE, Footrest Latch
7	3-5979	SPACER, Shoulder (Latch)
8	4-2630	FOOTREST (Weldment)
9	9-1296	WASHER, 11/32 I.D. x 11/16 O.D. x 1/16" Flat (2)
10	9-1298	NUT, 5/16-18 Nyloc (3)
11	9-1325	NUT, 1/2-13 Nyloc (2)
--	9-1894	NUT, 1/2-13 Hex Center Lock, Grade 5 (2)
12	9-1331	WASHER, 13/32 I.D. x 1-1/2 O.D. x 1/8" Flat
13	9-1591	BOLT, 5/16-18 x 1 Hex Flange Lock, Grade 5

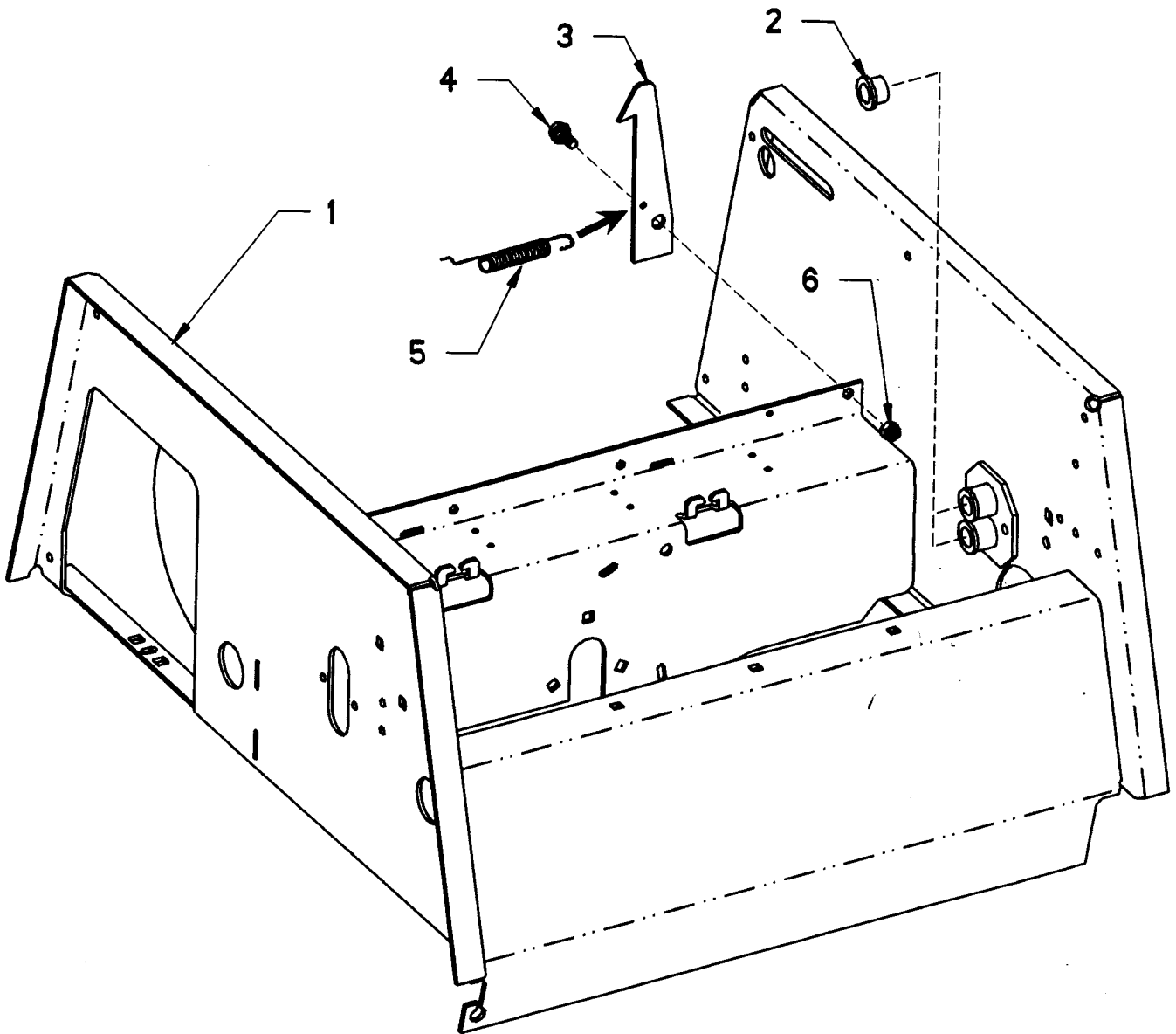
HYDRO RESERVOIR ASSEMBLY



VIEWED FROM UNDERNEATH

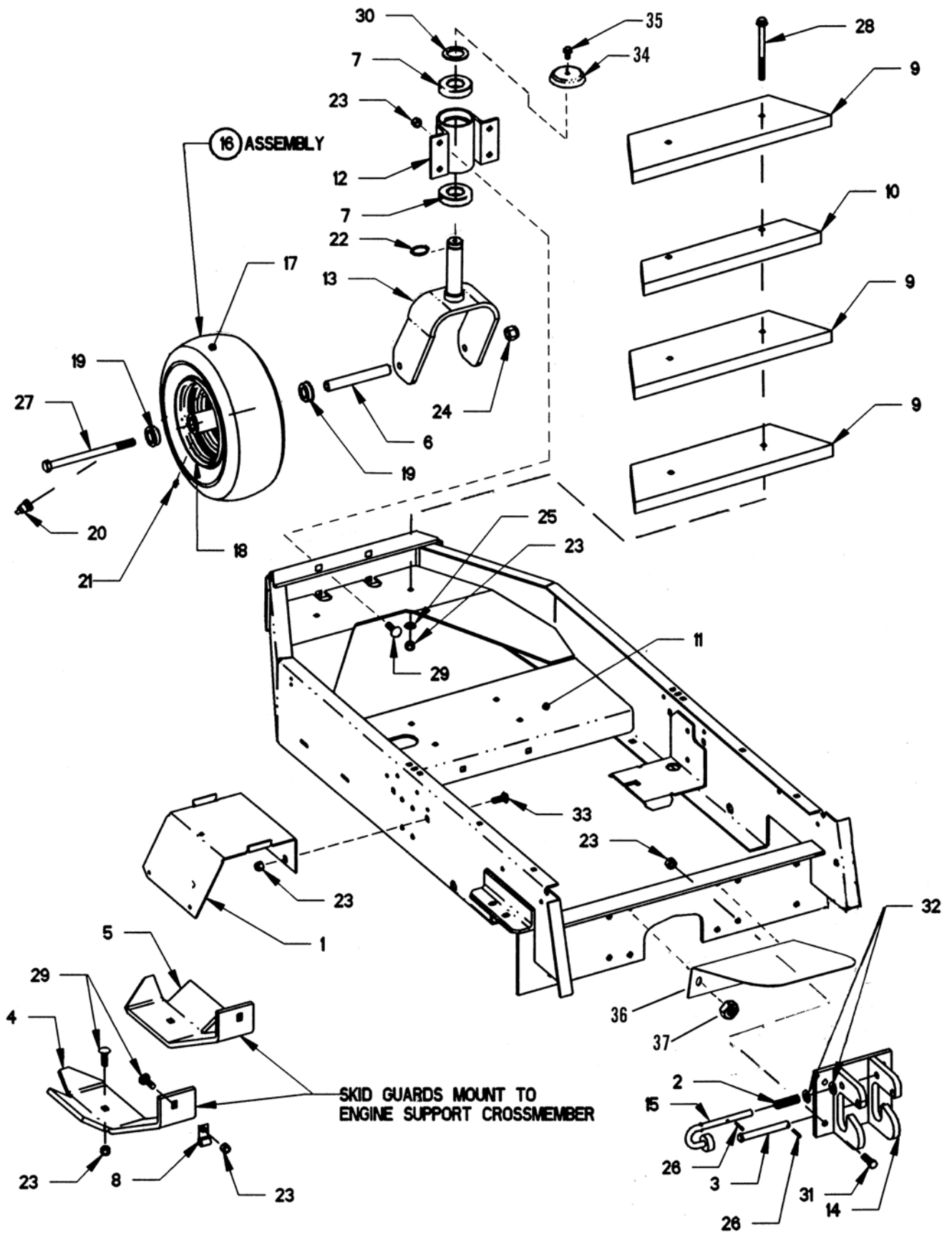
ITEM	PART NO.	DESCRIPTION
1	1-6130	CLAMP, Hose 13/16" (8)
2	9-1298	NUT, 5/16-18 Nyloc (2)
3	3-5514	HOSE, Rubber R.H. Front (.625 I.D. x 13-1/2" Long)
4	3-5515	HOSE, Rubber R.H. Back (.625 I.D. x 16" Long)
5	3-5516	HOSE, Rubber L.H. Front (.625 I.D. x 24" Long)
--	4-1834	HOSE, Rubber (.625 I.D. x 34" Long)
6	3-5517	HOSE, Rubber L.H. Back (.625 I.D. x 18" Long)
--	4-1833	HOSE, Rubber (.625 I.D. x 6" Long)
7	3-5639	BRACKET, Reservoir (2)
8	5-4703	RESERVOIR, L.H. Hydro (includes cap, item 11)
9	5-4103	RESERVOIR, R.H. Hydro (includes cap, item 11)
10	9-1296	WASHER, 11/32 I.D. x 11/16" O.D. (2)
11	3-5512	CAP, Reservoir

UPPER CHASSIS AND SEAT LATCH ASSEMBLY



ITEM	PART NO.	DESCRIPTION
1	4-2601	UPPER CHASSIS
2	1-3874	BUSHING, 5/8" PM (2)
3	3-5993	LATCH, Seat Support
4	1-5761	BOLT, 5/16-18 Shoulder
5	2-6292	SPRING
6	9-1298	NUT, 5/16-18 Hex Nyoc

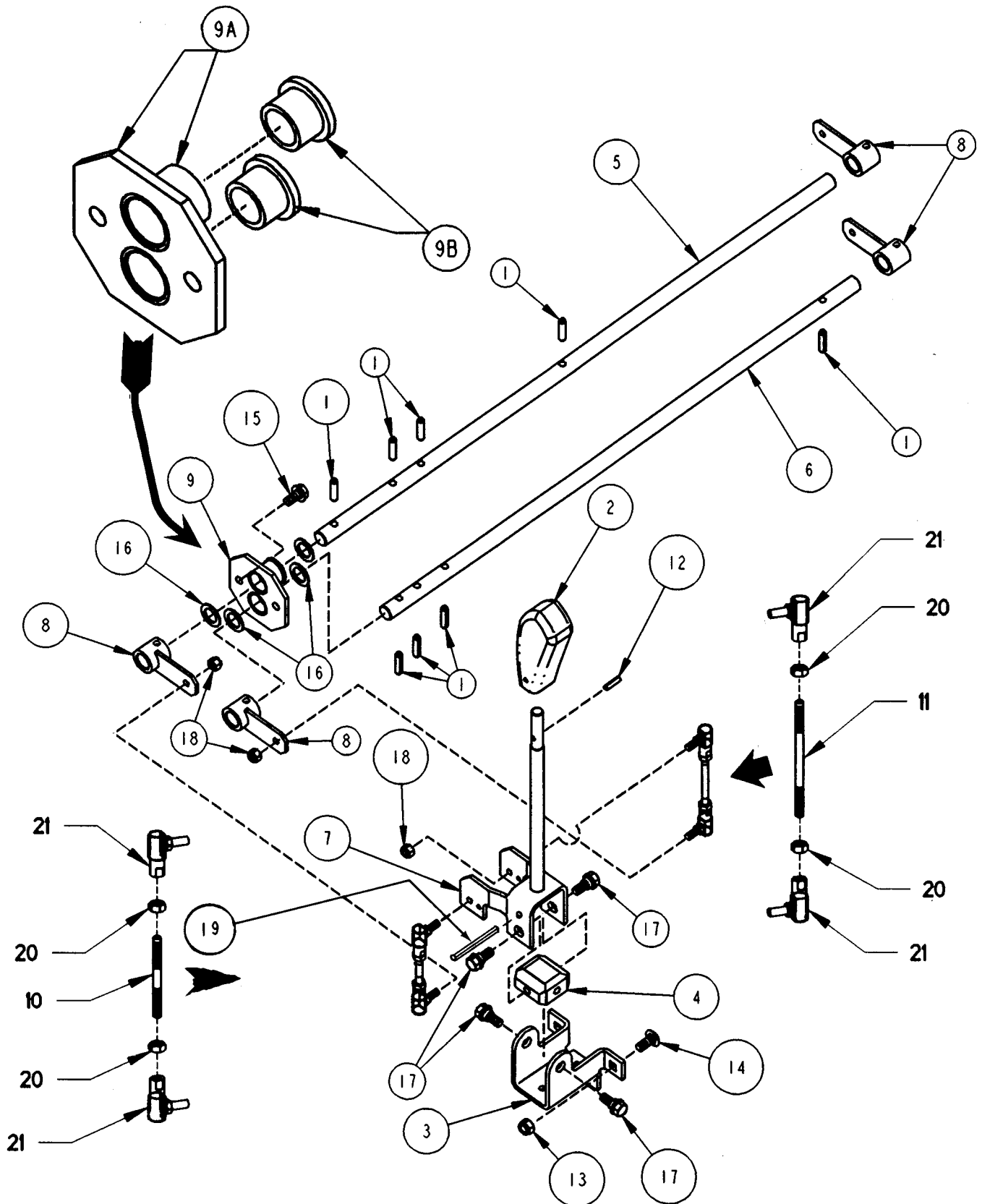
LOWER CHASSIS/CASTER WHEEL-ASSEMBLY



LOWER CHASSIS/CASTER WHEEL-ASSEMBLY

ITEM	PART NO.	DESCRIPTION
1	3-6406	BRACKET, Battery Support
2	1-4432	SPRING (2)
3	2-9074	PIN, Clevis 1/2 x 4" (2)
4	3-5468	SKID GUARD, R.H.
5	3-5469	SKID GUARD L.H.
6	3-5476	SLEEVE, Axle
7	3-5602	BEARING, 30mm x 62mm (2)
8	3-5638	J-CLIP, Open Cushioned (2)
9	3-5822	COUNTERWEIGHT, Large (3)
10	3-5823	COUNTERWEIGHT, Small
11	4-2589	CHASSIS, Lower
12	4-2590	SUPPORT, Caster
13	4-2591	YOKE, Caster
14	4-2628	PLATE, Hitch (2)
15	4-2629	PIN, Hitch (2)
16	5-4087	ASSEMBLY, Tire & Rim (includes litems 17 thru 21)
17	3-5474	TIRE, 13 x 5.00-6 4 Ply
18	3-5475	RIM
19	2-8722	BEARING (2)
20	1-2234	VALVE, Air
21	1-2700	FITTING, Lube
22	1-0965	RING, 1-3/16" External Retaining
23	9-1299	NUT, 3/8-16 Hex Nyloc (20)
24	9-1325	NUT, 1/2-13 Nyloc
25	9-1514	WASHER, 13/32 I.D. x 13/16 O.D., Flat (2)
26	9-1598	PIN, Cotter, 1/8 x 3/4" (4)
27	9-1773	SCREW, 1/2-13 x 7-1/4, Grade 5
28	9-1786	BOLT, 3/8-16 x 4-3/4", Grade 5 (2)
29	9-1790	BOLT, 3/8-16 x 1-1/4", Carriage, Grade 5 (8)
30	9-1795	WASHER, 1-1/4 I.D. x 1-7/8 O.D. Flat
31	9-1328	SCREW, 3/8-16 x 1-1/4", Hex Hd. Cap, Gr. 5 (8)
32	9-1595	WASHER, 15/32 I.D. x 15/16" O.D., Flat (4)
33	9-1640	BOLT, 3/8-16 x 1" Carriage, Grade 5 (2)
34	3-6578	CAP, Caster Shaft
35	9-0361	SCREW, 5/16-18 x 5/8" Self Tapping
36	4-2777	SHIELD, Grass
37	9-1299	NUT, 3/8-16 Hex Nyloc (2)

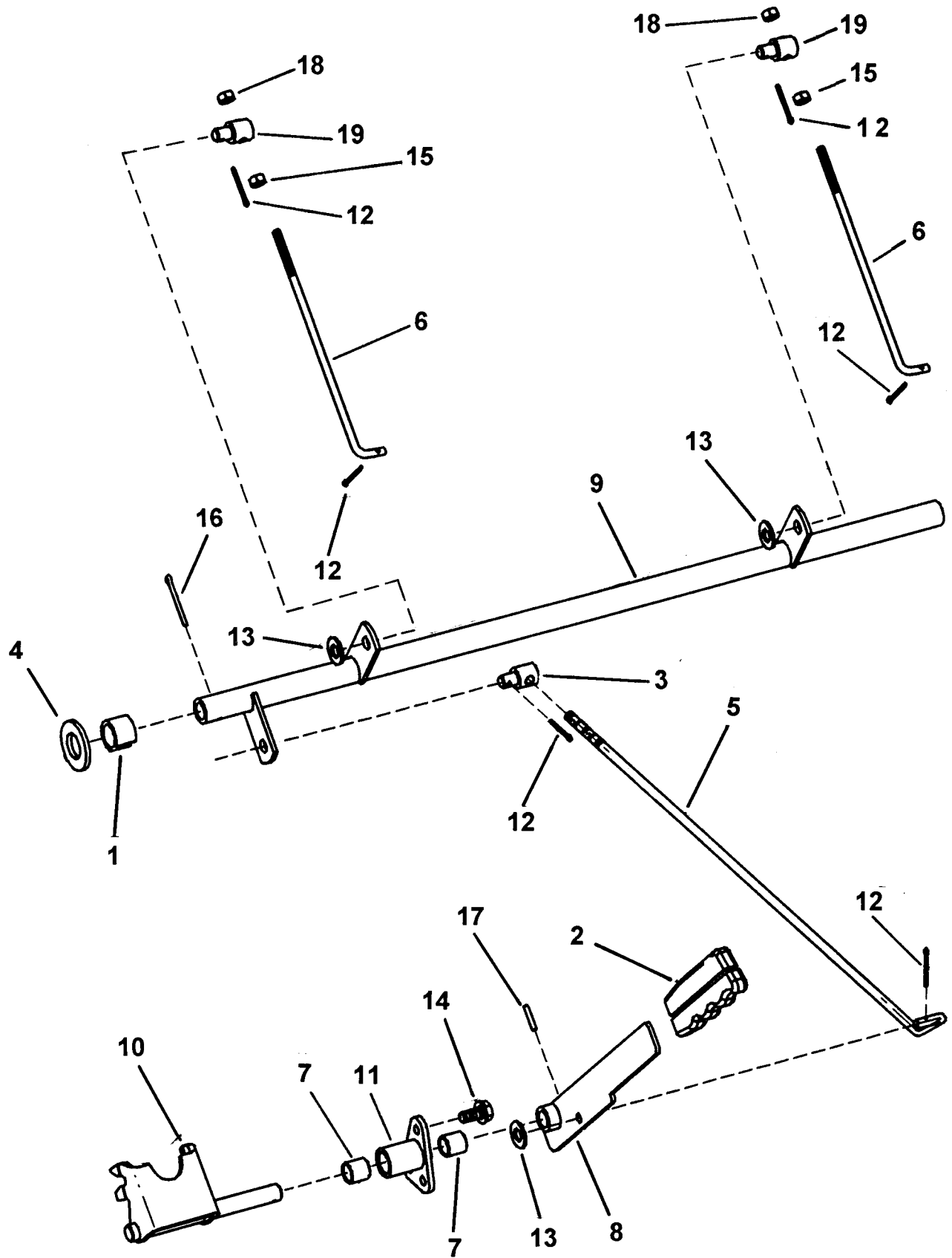
JOYSTICK CONTROL ASSEMBLY



JOYSTICK CONTROL ASSEMBLY

ITEM	PART NO.	DESCRIPTION
1	1-3072	ROLL PIN, 1/4 x 1" (8)
2	2-3656	HANDLE, Plastic
3	3-5532	BRACKET, Joystick Mounting
4	3-5533	BLOCK, Pivot J'Stick Control
5	3-5897	SHAFT, Upper Cross
6	3-5898	SHAFT, Lower Cross
7	4-2599	HANDLE, Joystick Control (Weldment)
8	4-2638	ARM/HUB Weldment (4)
9	5-4237	ASSEMBLY, Cross Shaft Support (includes one 9A and two 9B)
9A	4-2623	SUPPORT, Cross Shaft (Weldment)
9B	1-3874	BUSHING (2)
10	3-5908	ROD, Threaded 1/4-28 x 2.71 long
11	3-5909	ROD, Threaded 1/4-28 x 3.85 long
12	9-0844	ROLL PIN 3/16 x 3/4"
13	9-1298	NUT, 5/16-18 Hex Nyloc (3)
14	9-1508	BOLT, 5/16-18 x 3/4" Sq.Nk. Carriage, Grade 5 (3)
15	9-1523	SCREW, 5/16-18 x 5/8" Hex Washer Self-Tap (2)
16	9-1628	WASHER, 41/64 I.D. x 1" O.D. Flat (4)
17	9-1800	BOLT, 5/16-18 Shoulder (4)
18	9-1812	NUT, 1/4-28 Hex Nyloc (4)
19	9-1816	ROLL PIN, 1/4 x 2-3/4"
20	9-1605	NUT, 1/4-28 Hex, Grade 5 or B (4)
21	1-5753	BALL-JOINT (4)

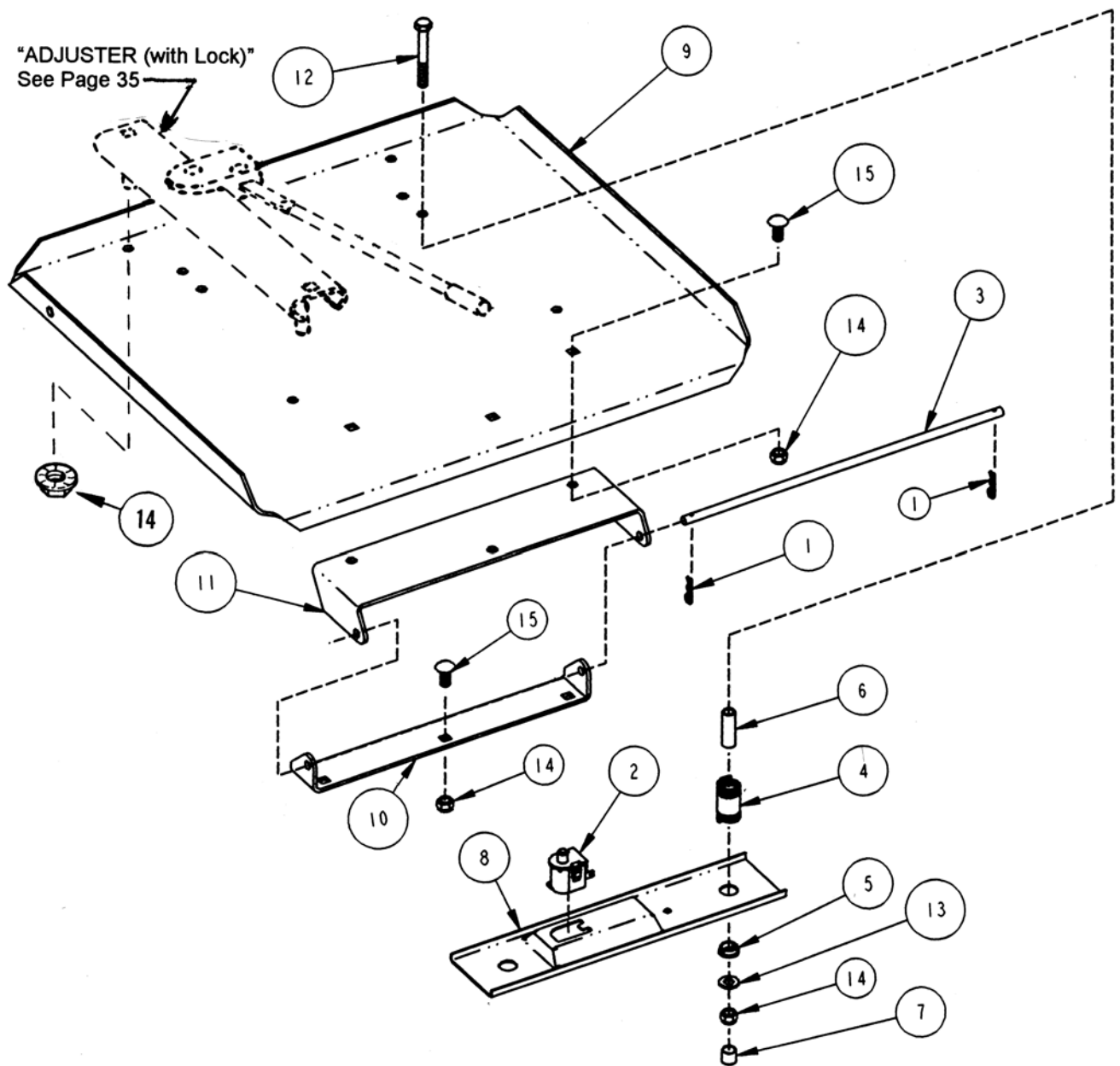
PARKING BRAKE ASSEMBLY



PARKING BRAKE ASSEMBLY

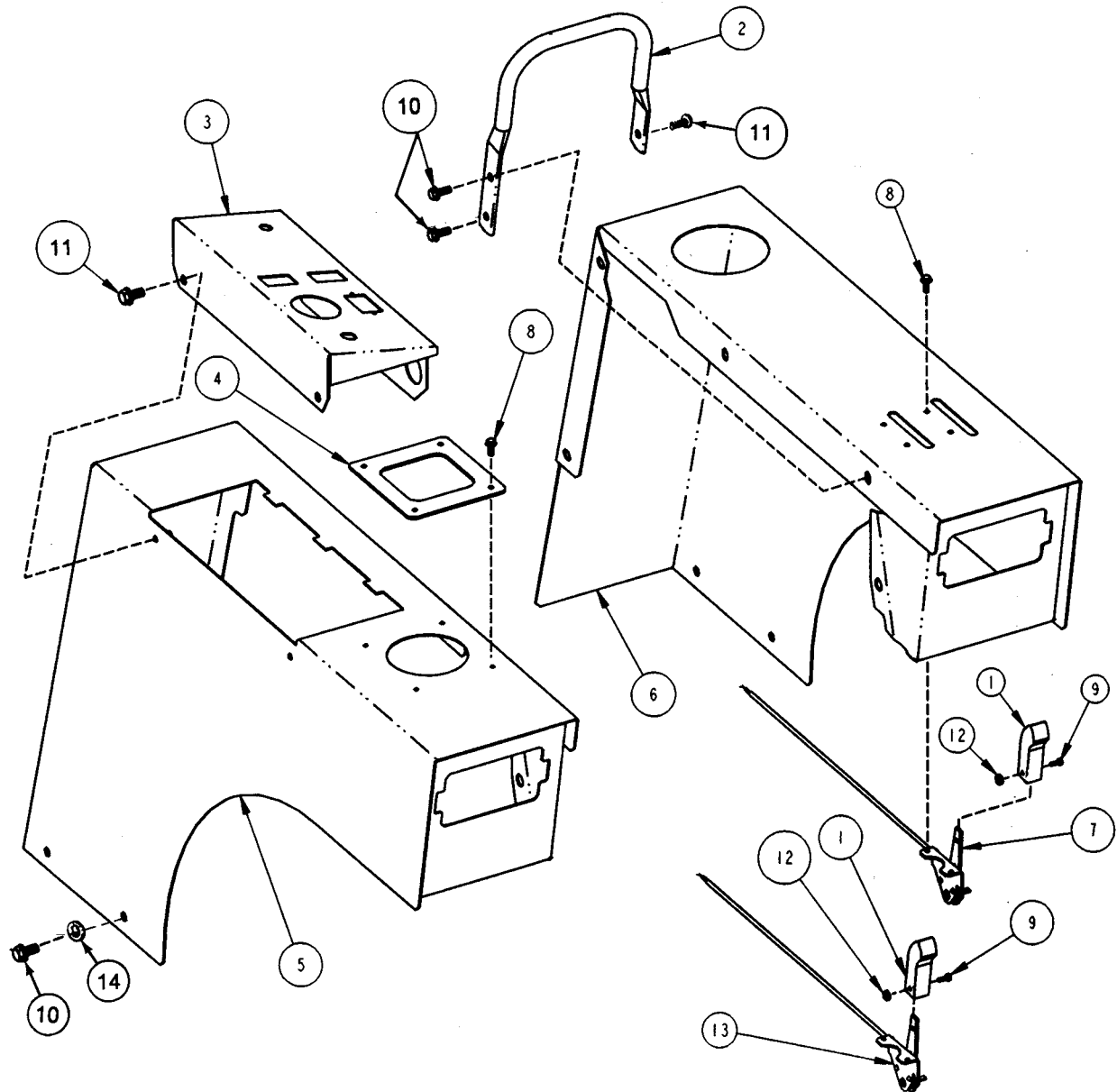
ITEM	PART NO.	DESCRIPTION
1	1-2068	RING, Rear Lift Arm
2	2-6420	GRIP, Flat Bar
3	2-8200	SWIVEL, Adjustable (5/16-18 thread)
--	4-6451	SWIVEL, Adjustable (3/8-24 thread)
4	3-4453	WASHER, 3/4 I.D. x 1-1/2 O.D. x 9/64" Flat
5	4-6456	ARM, Brake Lift (3/8-24 thread)
6	3-5888	ROD, Hydrostatic Brake (1/4-28 thread) (2)
7	3-6399	SLEEVE Bearing, 1/2 I.D. x .629 (2)
8	4-6469	ARM, Parking Brake
9	4-2635	SHAFT, Brake
10	4-2647	BRACKET, Joystick Lockout
11	4-2648	PLATE, Support
12	9-1313	COTTER PIN, 3/32 x 1" (6)
--	9-1597	COTTER-PIN, 3/32 x 3/4" (6)
13	9-1514	WASHER, 13/32 I.D. x 13/16 O.D. x 5/64 Flat (3)
14	9-1523	SCREW, 5/16-18 x 5/8" Hex Washer Face Self-Tap (3)
15	9-1605	NUT, 1/4-28 Hex, Grade 5 (2)
16	9-1809	COTTER PIN, 1/8 x 1-1/4"
17	1-4001	PIN, Roll 1/8 x 3/4"
18	9-1812	NUT, 1/4-28 Hex Nyloc (2)
19	9-1832	SWIVEL, 1/4" Smooth (2)

SEAT SUPPORT ASSEMBLY



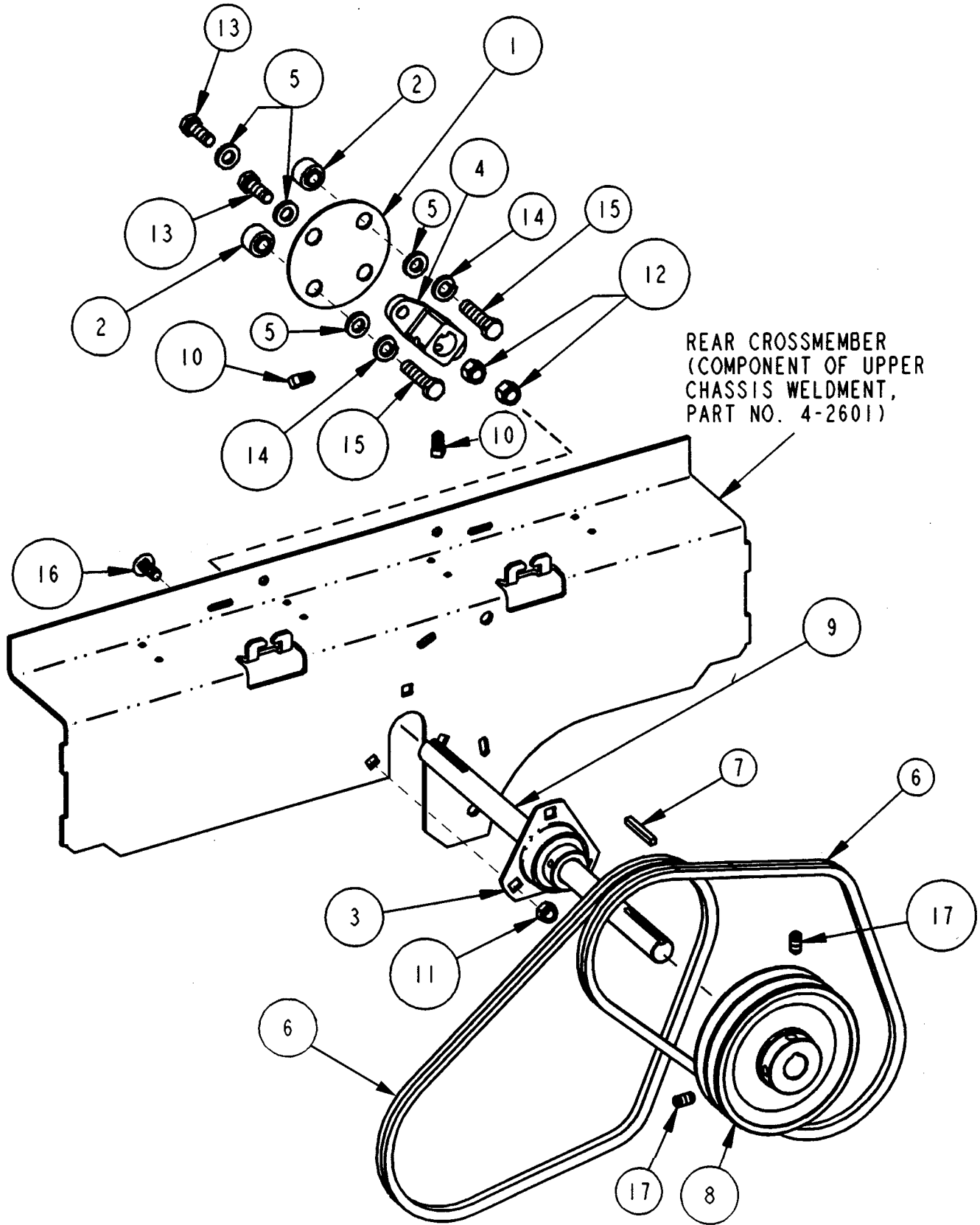
ITEM	PART NO.	DESCRIPTION
1	9-1503	HAIRPIN, 3/32 x 1-1/2 (2)
2	1-7590	SWITCH, Seat (Normally Open)
3	1-9035	ROD, 5/16 x 13" Long
4	3-6492	SPRING, .106 Wire Dia., .68 I.D. x 1-1/2" (2)
5	2-2793	BUSHING, Molded Seat, 1/2 I.D., 5/8" O.D. (2)
6	2-2794	SPACER, .31 I.D., 1-3/8" Long (2)
7	2-3606	CAP, Vinyl, 1/4 I.D., 1/5 O.D. (2)
8	3-3362	HOLDER, Seat Switch
9	3-5827	PLATE, Seat Support
10	3-5828	BRACKET, Lower Seat Hinge
11	3-5839	BRACKET, Upper Seat Support Hinge
12	9-1046	SCREW, 5/16-18 x 2-1/2" Hex Head Cap, Grade 5 (2)
13	9-1296	WASHER, 5/16 x 11/16 O.D. Flat (2)
14	9-1298	NUT, 5/16-18 Hex Nyloc (16)
15	9-1508	BOLT, 5/16-18 x 3/4 Short Neck. Carriage, Grade 5 (6)

FENDER/CONTROL CABLE ASSEMBLY



ITEM	PART NO.	DESCRIPTION
1	2-3655	LEVER, Throttle Control (2)
2	3-5548	HANDLE, 5/8" Tubing
3	3-5701	PANEL, Console
4	3-5940	PLATE, Joystick Control
5	4-2642	FENDER, R.H.
6	4-2643	FENDER, L.H.
7	3-5837	CABLE, Choke, Kohler
8	9-0913	SCREW, #10-24 Hex Washer Face Self-tap (8)
9	9-1017	SCREW, #8-32 x 3/8" Machine (2)
10	9-1523	SCREW, 5/16-18 x 5/8" Hex Washer Face Self-tap (15)
11	9-1787	SCREW, 1/4-20 x 5/8" Hex Flange Lock (3)
12	9-1018	NUT, #8-32 Hex (2)
13	3-5838	CABLE, Throttle, Kohler
14	9-1130	WASHER, 5/16 I.D. Flat (2)

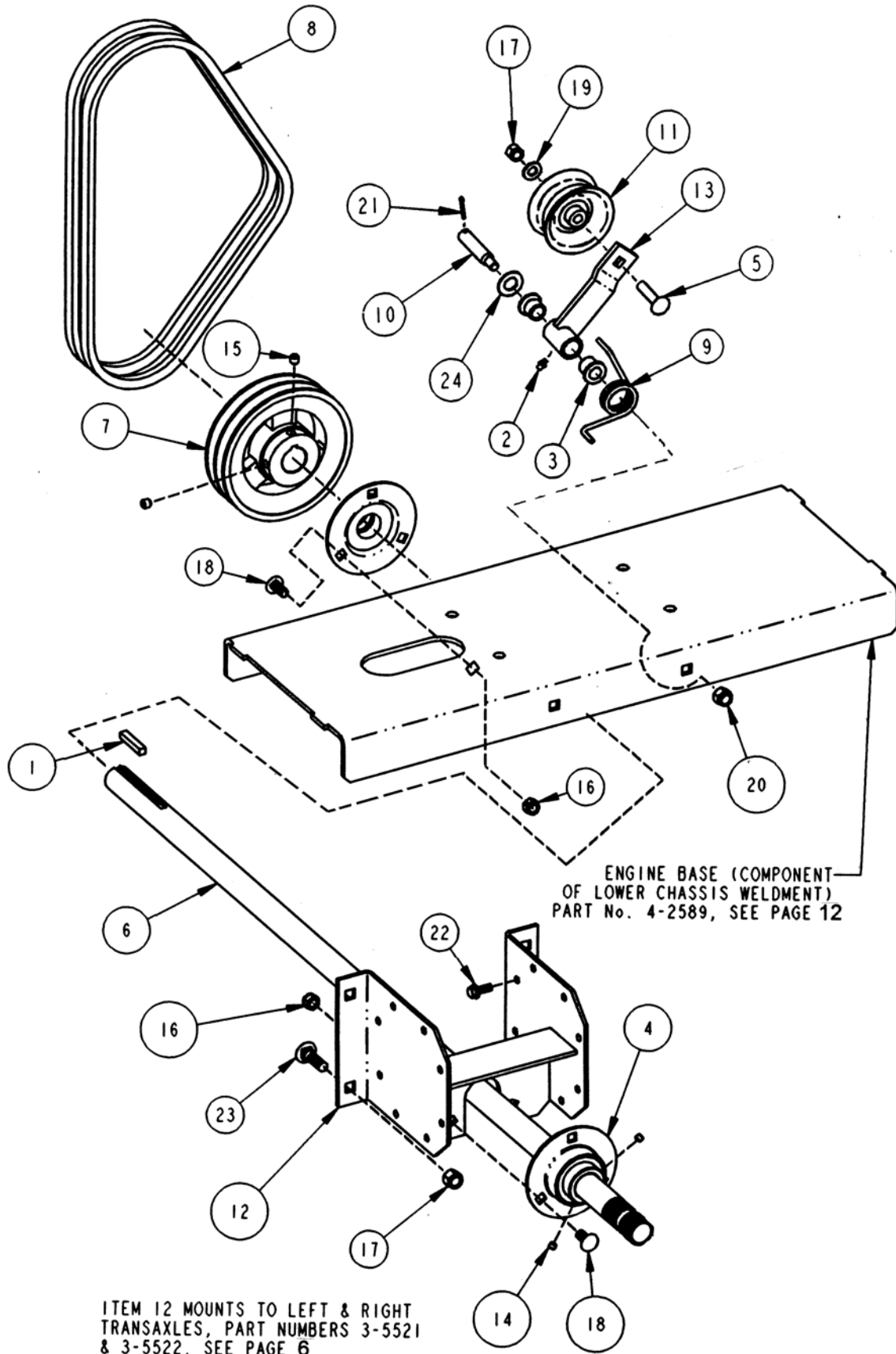
UPPER DRIVE SHAFT ASSEMBLY



UPPER DRIVE SHAFT ASSEMBLY

ITEM	PART NO.	DESCRIPTION
1	1-4338	DISC, Flexible
2	1-4803	SPACER, LT16 (2)
3	1-8547	BEARING, 3/4" (includes collar, Part No. 1-4625))
--	1-4268	BEARING, 3/4" (w/o collar)
4	1-8626	HUB, Drive Shaft Adapter
5	3-2070	WASHER, 13/32 I.D. x 3/4 O.D., Flat (4)
6	3-5544	BELT, 36-1/2" (2)
7	9-1803	KEY, 3/16 Square x 1-1/2" Long
8	3-5564	PULLEY, Cast Iron Dual V 4.95 Effective O.D. (includes two of item 17)
9	3-5811	DRIVE SHAFT, 3/4"
10	9-0848	SET SCREW, 5/16-18 x 1/2" Square Head Cup Point (2)
11	9-1298	NUT, 5/16-18 Hex Nyloc (3)
12	9-1299	NUT, 3/8-16 Hex Nyloc (2)
13	9-1304	SCREW, 3/8-16 x 1" Hex Head Cap, Grade 5 (2)
--	9-1328	SCREW, 3/8-16 x 1-1/4" Hex Head Cap, Grade 5 (2)
14	9-1320	WASHER, 3/8 Split Lock (2)
15	9-1497	SCREW, 3/8-16 x 1-1/2" Hex Head Cap, Grade 5 (2)
16	9-1508	BOLT, 5/16-18 x 3/4", Carriage, Grade 5 (3)
17	9-1802	SCREW, 5/16-18 x 5/8", Socket-Head (2)

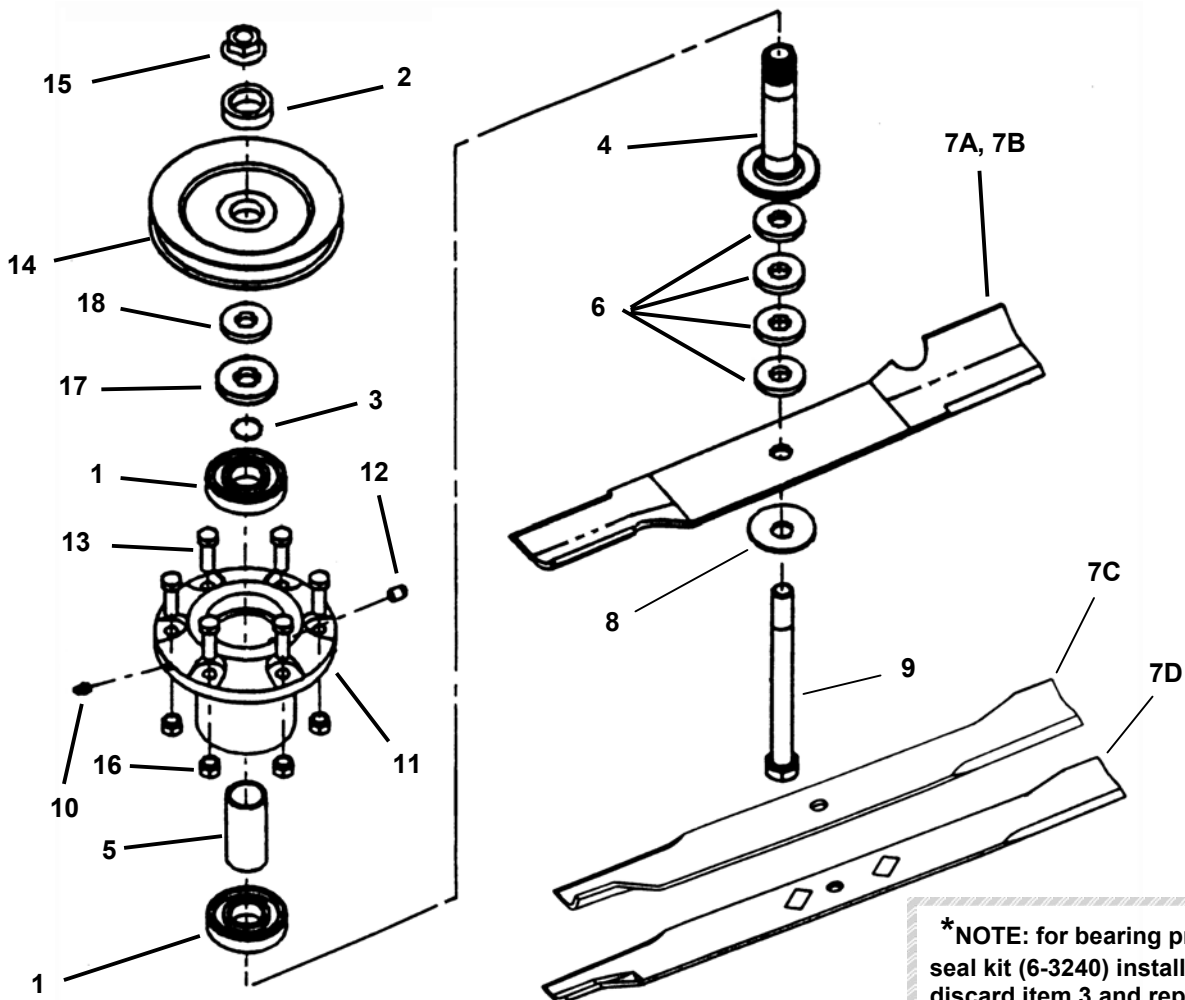
DECK DRIVESHAFT ASSEMBLY



DECK DRIVESHAFT ASSEMBLY

ITEM	PART NO.	DESCRIPTION
1	1-2315	KEY, 1/4" Square x 2"
2	1-3864	FITTING, Lube (straight, for 3/16" hole)
--	1-3324	FITTING, Lube (45 degree, for 3/16" hole)
3	1-4409	BUSHING (2)
4	1-8504	BEARING, (includes item 25) (2)
--	1-4266	BEARING, 1" Bore (w/o collar) (2)
5	9-1810	BOLT, 3/8-16 x 1-3/4" Carriage, Grade 5
--	9-0990	BOLT, 3/8-16 x 2" Carriage, Grade 2
6	3-5530	DRIVE SHAFT, Deck (1" Diameter, 15 Spline)
7	3-5531	PULLEY, Double V (5.45 O.D., A Section)
8	3-5543	BELT, Deck Drive (HA 36.5) (2)
9	3-5713	SPRING, Tension
10	3-5816	PIN, 3/8-24 UNF
11	3-5867	FLAT IDLER, 2.75 O.D. x 1-1/4" Wide
12	4-2610	BEARING MOUNT (Weldment)
13	4-2626	IDLER ARM, Offset (Weldment)
--	4-2622	IDLER ARM, Straight (Weldment)
14	9-0776	SET SCREW, 1/4-20 x 1/4" Cone Point (2)
15	9-0954	SET SCREW, 5/16-18 x 5/16 Type C (2)
16	9-1298	NUT, 5/16-18 Hex Nyloc (6)
17	9-1299	NUT, 3/8-16 Hex Nyloc (5)
18	9-1508	BOLT, 5/16-18 x 3/4, Grade 5 (6)
19	9-1514	WASHER, 13/32 x 13/16 Flat
20	9-1518	NUT, 3/8-24 Hex Nyloc
21	9-1598	COTTER-PIN, 1/8 x 3/4"
22	9-1787	SCREW, 1/4-20 x 5/8", Hex Flange Lock, Grade 5 (16)
23	2-7181	BOLT, 3/8-16 x 1-1/4" Carriage, Grade 5 (4)
24	9-1804	WASHER, 9/16 Flat
25	1-4265	COLLAR, Lock 1" (with 1/4" Set Screw)

CUTTER HOUSING ASSEMBLY

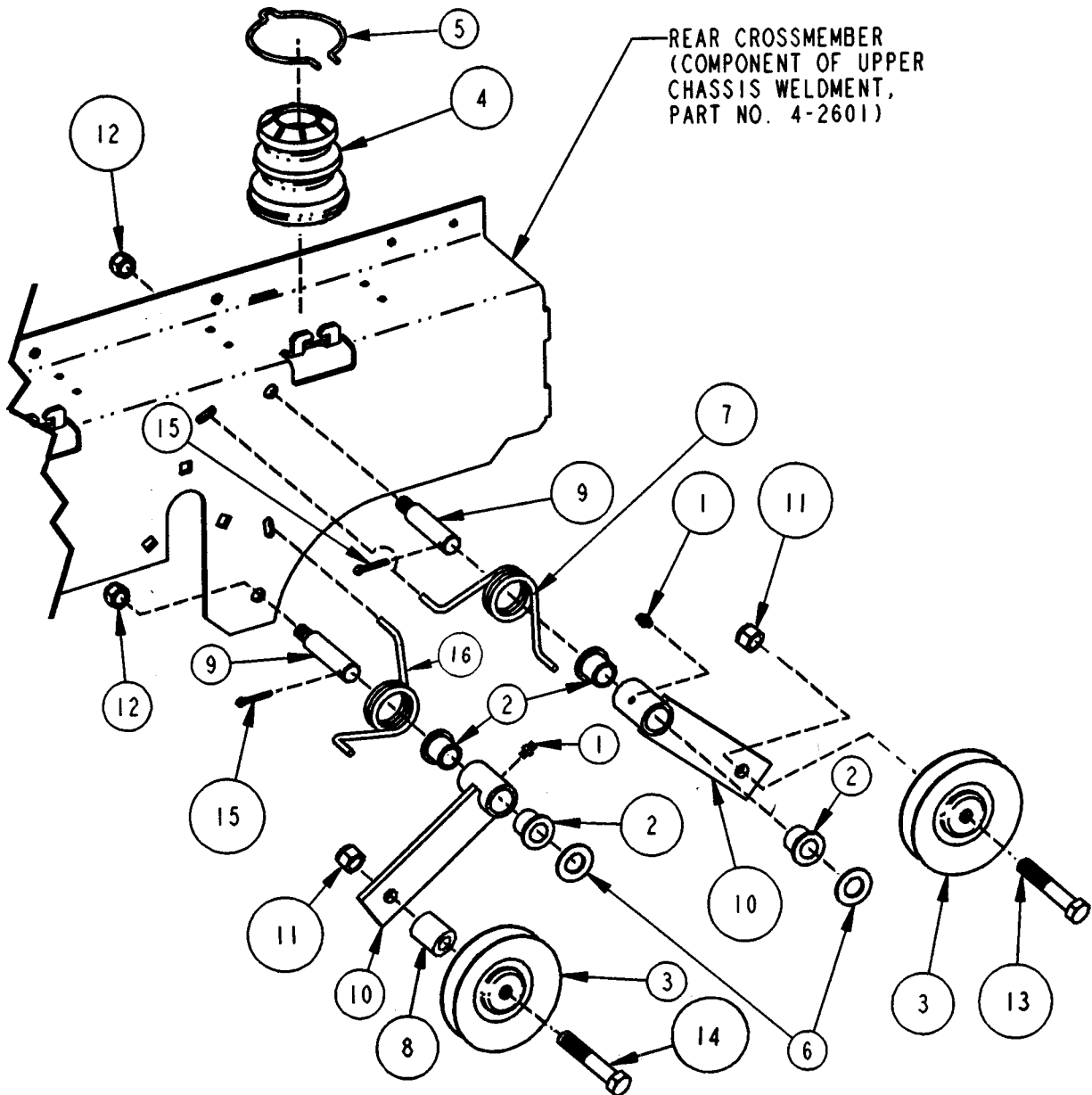


***NOTE:** for bearing pre-seal kit (6-3240) installation, discard item 3 and replace with items 17 and 18 as shown.

ITEM	PART NO.	DESCRIPTION
1	2-9422	BEARING, Sealed (2)
2	2-9270	WASHER, Spindle
3	2-9274	SNAP-RING, Spindle Shaft
4	2-9253	SHAFT, Spindle
5	2-9254	SPACER, Bearing
6	2-9271	SPACER, Blade (4)
7A	2-9251	BLADE, 21" (61" Deck) (High Lift)
7B	2-9246	BLADE, 18" (52" Deck)
7C	1-7081	BLADE, 21" (61" Deck) (Low Lift)
7D	4-6625	BLADE, 25" (73" Deck)
8	1-6440	WASHER, Beveled
9	2-9256	BOLT, 5/8-18 x 7-1/2" Hex Head Cap, Grade 5
10	2-9275	FITTING, Lube
11	2-9252	HOUSING, Cutter
12	2-9384	VENT, Spindle
13	2-9302	BOLT, 3/8-16 x 1-1/4" Rib Necked (6)
14	2-9249	PULLEY, 5-3/4" O.D. (61" Deck)
15	9-1736	NUT, 5/8-18 Hex Flange Lock, Grade 5
16	9-1299	NUT, 3/8-16 Hex Nyloc (6)
17	6-3238*	SEAL, Nylos
18	1-3370*	WASHER

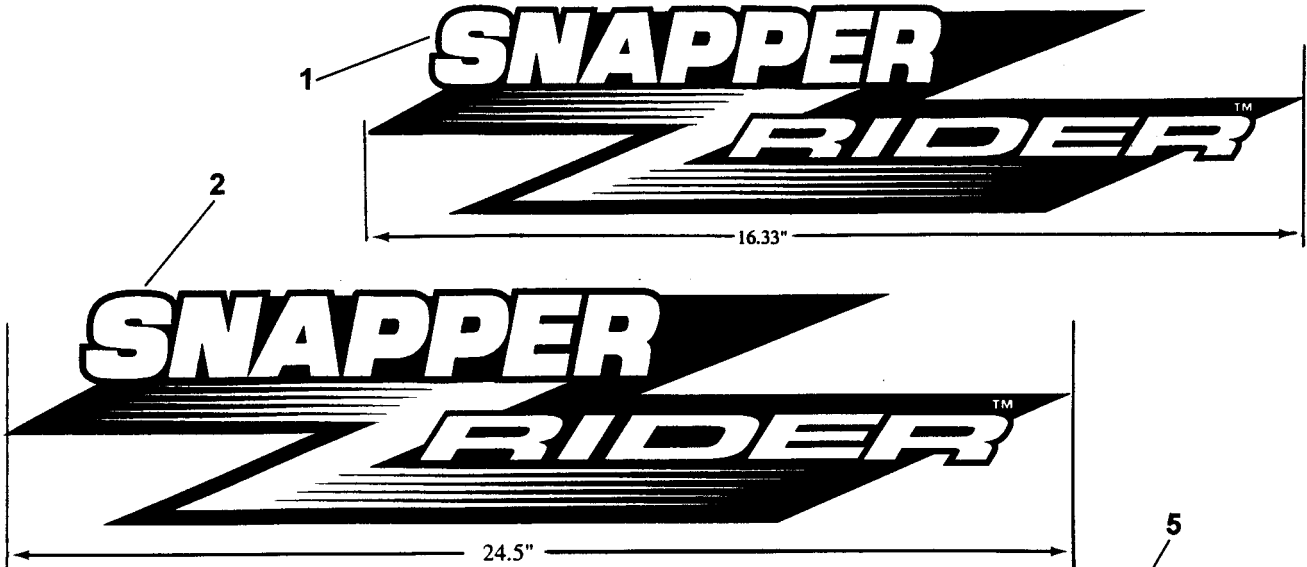
NOTE: Part Number 5-4017 (Spindle Housing sub-assembly) is comprised of items 11 and 12 (one each) as well as item 13 (six each).

TRACTION DRIVE IDLER ASSEMBLY



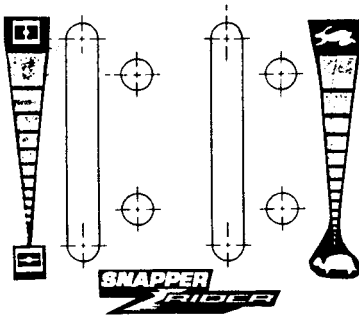
ITEM	PART NO.	DESCRIPTION
1	1-3864	FITTING, Lube (straight, for 3/16" hole) (2)
--	1-3324	FITTING, Lube (45 degree, for 3/16" hole) (2)
2	1-4409	BUSHING, 9/16 I.D., 3/4" O.D. (4)
3	1-8573	PULLEY, Idler 3.48 O.D. A Section (2)
4	1-9109	COVER, Spring (Rubber) (2)
5	1-9348	CLIP, Seat Cushion (2)
6	9-1804	WASHER, 9/16 Flat (Type B) (4)
7	3-5713	SPRING, Torsion
8	3-5812	SPACER, 3/8 I.D. 5/8 O.D. x 5/8" Long
9	3-5816	PIN, 3/8-24 (2)
10	4-2622	IDLER ARM (Weldment) (2)
11	9-1299	NUT, 3/8-16 Hex Nyloc (2)
12	9-1518	NUT, 3/8-24 Hex Nyloc (2)
13	9-1553	SCREW, 3/8-16 x 1-3/4" Hex Head Cap, Grade 5
14	9-1560	SCREW, 3/8-16 x 2-1/4" Hex Head Cap, Grade 5
15	9-1598	COTTER PIN, 1/8 x 3/4" (2)
16	3-6562	SPRING, Torsion

DECALS



WARNING TO AVOID SERIOUS INJURY OR DEATH

- READ OPERATOR'S MANUAL AND OTHER INSTRUCTIONAL MATERIALS PROVIDED.
- KNOW LOCATION AND FUNCTION OF ALL CONTROLS.
- NEVER START BLADES UNLESS PROPERLY SEATED ON MACHINE.
- KEEP SAFETY DEVICES (GUARDS, SHIELDS, AND SWITCHES) IN PLACE.
- REMOVE OBJECTS THAT COULD BE THROWN BY THE BLADES.
- DO NOT MOVE JOYSTICK RAPIDLY. AVOID SUDDEN TURNS.
- LOOK DOWN AND BEHIND BEFORE AND DURING REVERSE MOVEMENT.
- DO NOT MOW IN ANY AREA WHERE STABILITY AND TRACTION IS IN DOUBT. DO NOT MOW ON SLOPES STEEPER THAN 15°.
- REDUCE SPEED ON SLOPES. GO FORWARD DOWN SLOPES. GO REVERSE UP SLOPES. NEVER TRAVEL ACROSS SLOPES.
- AVOID UPHILL STARTS. IF MACHINE STOPS GOING UPHILL, STOP BLADES AND BACK DOWN SLOWLY.
- DO NOT MOW WHEN CHILDREN OR OTHERS ARE AROUND. NEVER CARRY CHILDREN DURING OPERATION.
- BE SURE ALL MOVING PARTS ARE STATIONARY BEFORE PLACING HANDS AND FEET NEAR BLADES OR SERVICING MACHINE.



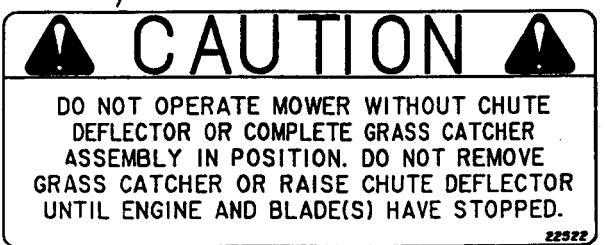
TO START:
 MAKE SURE OPERATOR IS SEATED PROPERLY.
 PLACE JOYSTICK IN CENTER/NEUTRAL POSITION.
 PULL UP ON BRAKE LEVER TO SET BRAKE.
 PUSH BLADE SWITCH DOWN TO MAKE SURE BLADE IS DISENGAGED.
 SET CHOKE AND THROTTLE.
 TURN KEY TO START ENGINE.

TO OPERATE:
 ADJUST CHOKE AND THROTTLE.
 PULL BLADE SWITCH UP TO ENGAGE BLADE.
 PULL PARKING BRAKE LEVER DOWN TO RELEASE BRAKE.
 MOVE JOYSTICK IN THE DIRECTION OF TRAVEL REQUIRED.
 INCREASE/DECREASE SPEED WITH AMOUNT OF JOYSTICK TRAVEL FROM CENTER/NEUTRAL POSITION.

TO STOP:
 MOVE JOYSTICK TO CENTER/NEUTRAL POSITION.
 PUSH PARKING BRAKE LEVER DOWN TO DISENGAGE BLADE.
 PULL UP ON BRAKE LEVER TO SET BRAKE.
 TURN KEY TO OFF POSITION AND REMOVE.
 MAKE SURE ALL MOVEMENT HAS STOPPED BEFORE DISMOUNTING.

30
 ACC.
 30
 CHARGE
 7.5
 PTO
 15
 START

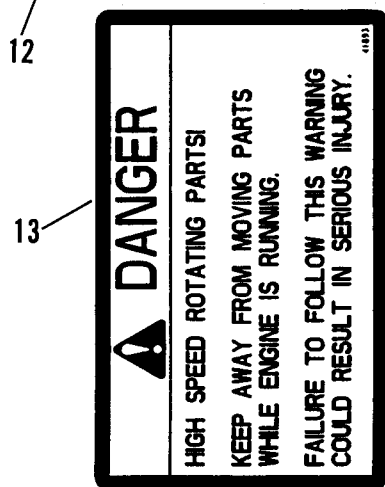
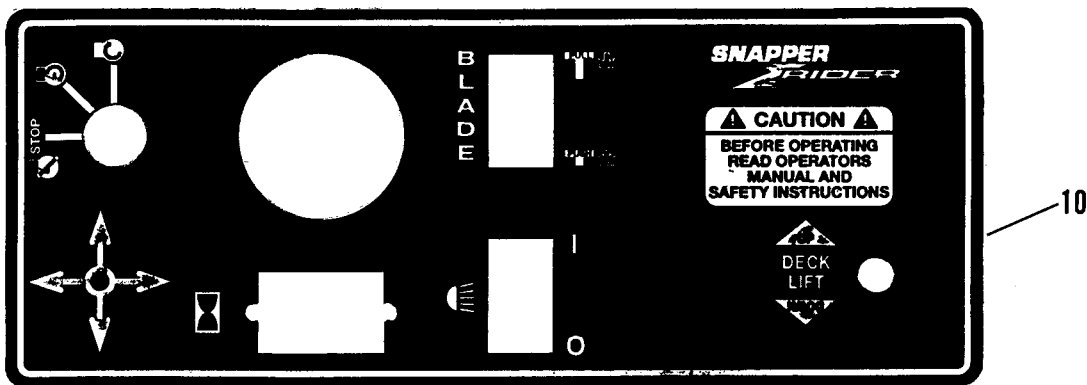
5
 4
 3
 2



This Product may be covered by one or more of the following patents:

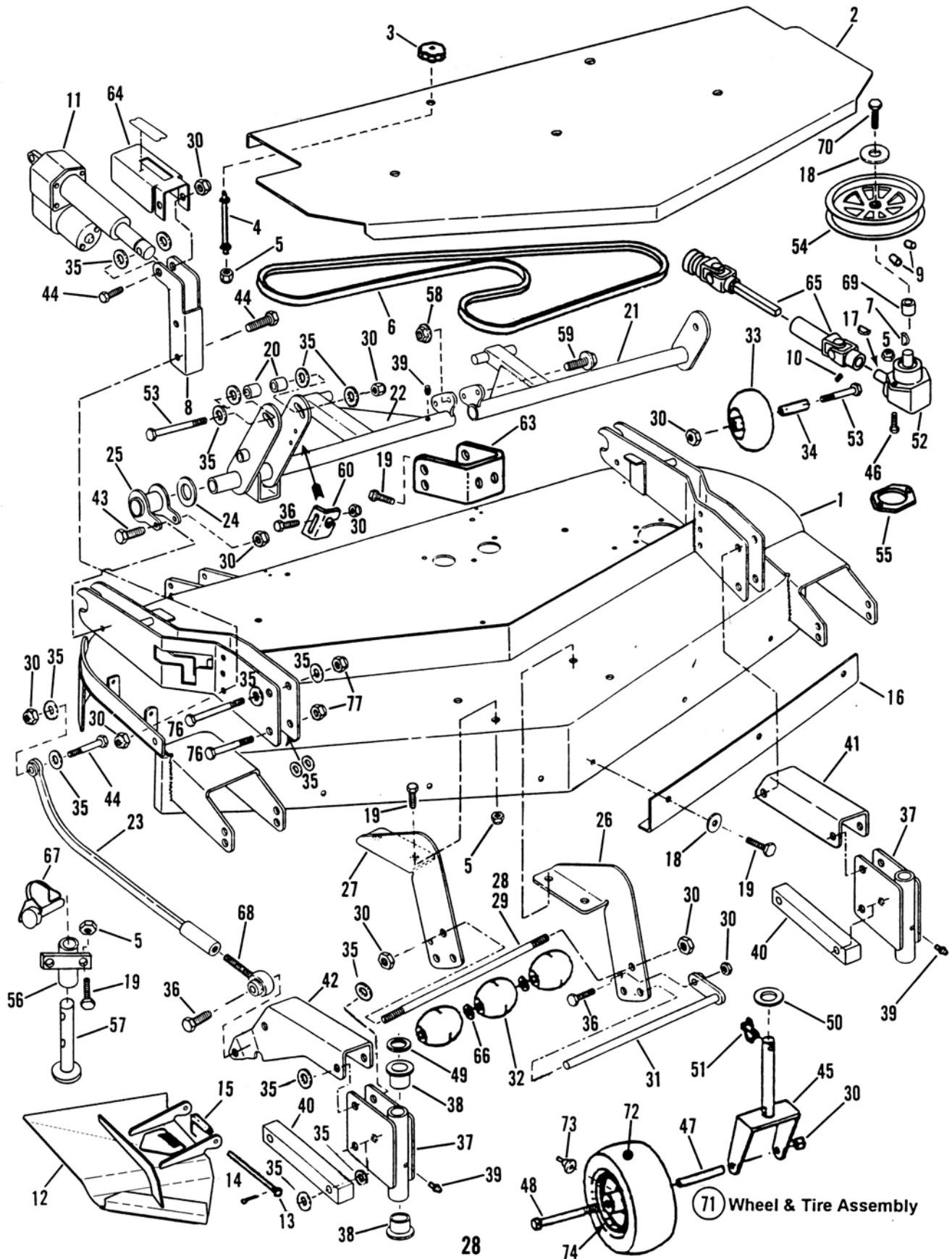
4,158,279	4,164,112
4,189,903	4,248,034
4,431,948	4,488,552
4,920,733	4,938,886
4,980,400	5,042,241
5,140,735	5,195,308
5,297,379	5,303,534
5,351,581	5,488,818
5,528,635	0358,400

Other Patents Pending. 29476



ITEM	PART NO.	DESCRIPTION
1	3-5848	LOGO, Front 16.33" Long
2	3-5847	LOGO, Side 24.5" Long
3	3-5844	DECAL, Throttle/Choke
4	3-5846	DECAL, Fuse
5	1-3010	DECAL, Warning (CPSC Cut-Finger)
6	2-2522	DECAL, Warning
7	2-9470	DECAL, Patent Numbers
8	4-4793	DECAL, 52" Deck (not shown)
--	4-4794	DECAL, 61' deck (not shown)
--	4-6371	DECAL, 73" Deck
9	2-9295	DECAL, Height-of-Cut
10	3-5843	DECAL, Control Panel
11	1-9294	DECAL, Nameplate Snapper
--	4-4640	DECAL, SNAPPER
12	4-4677	DECAL, Name ZF2200K
13	4-1983	DECAL, Danger (Rotating Parts)
14	4-5107	DECAL, Parking Brake
15	2-4156	DECAL, Caution

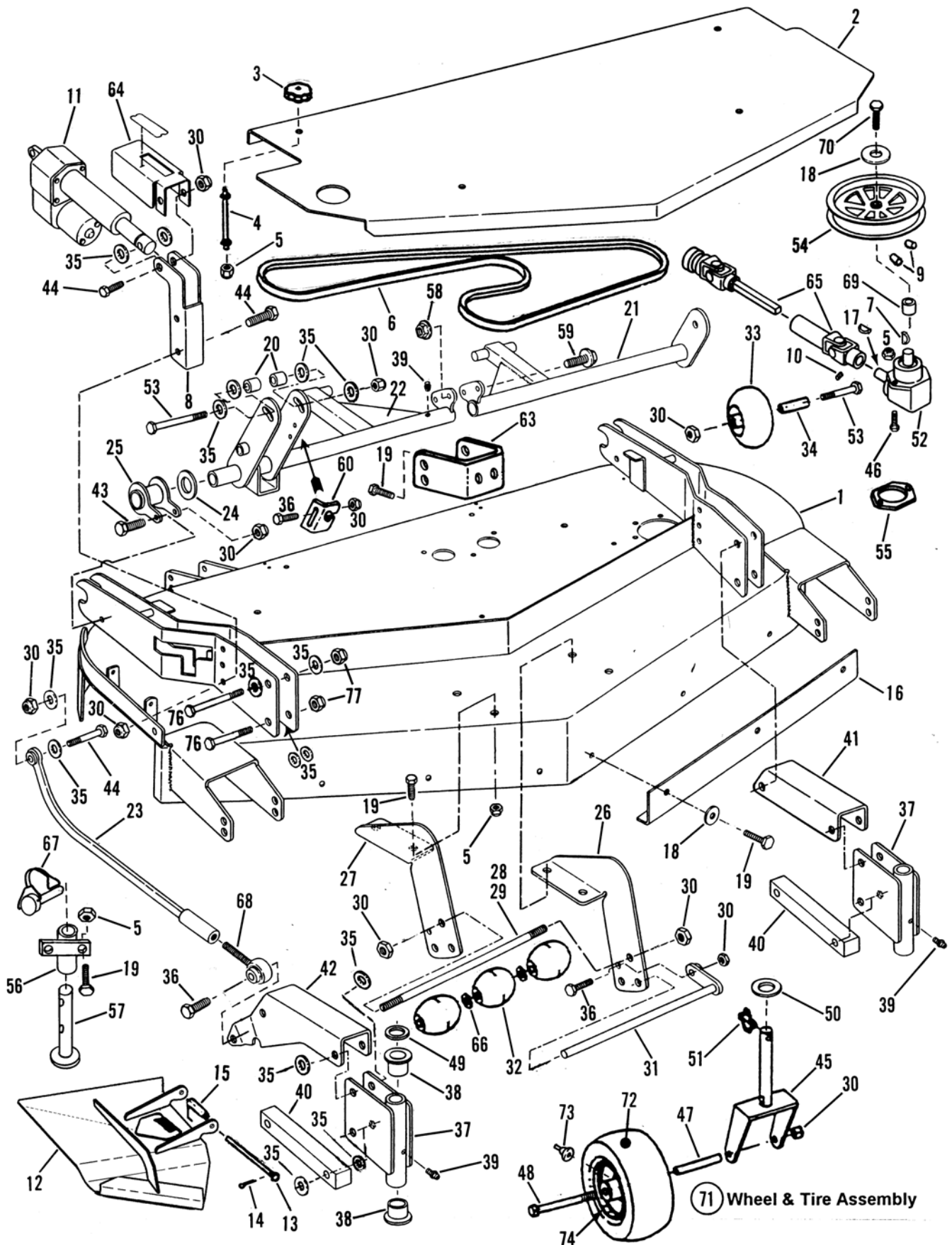
52" MOWER DECK ASSEMBLY



52" MOWER DECK ASSEMBLY

ITEM	PART NO.	DESCRIPTION	ITEM	PART NO.	DESCRIPTION
1	4-2898	WELDMENT, 52" Deck-Adjustable Height	39	7-6998	FITTING, Lube 1/4-28 Straight (3)
2	4-6728	COVER, 52" Deck	40	3-6444	ARM, Lower Caster (2)
3	2-3735	KNOB (5)	41	4-2655	ARM, Caster Support L.H.
4	2-9303	STANDOFF, 3-1/2" (5)	42	4-2653	ARM, Caster Support R.H.
5	9-1299	NUT, 3/8-16 Hex Nyloc (23)	43	2-9355	BOLT, 1/2-13 x 3-3/4", Hex Head, Grade 5 (6)
6	4-2776	V-Belt, 52"(122") HB	44	9-1821	BOLT, 1/2-13 x 3" Hex Head (3)
7	1-0008	KEY, #6 Woodruff	45	4-2780	WELDMENT, Caster
8	3-6447	MOUNT, Motor (Front)	46	9-1328	SCREW, 3/8-16 x 1-1/4" Hex Head Cap, Grade 5
9	9-1802	SCREW, 5/16-18 x 5/8" Set, Yellow Zinc (2)	47	2-2151	SLEEVE, Axle
10	9-0132	SET SCREW, 3/8-16x3/8" (2)	48	9-1326	SCREW, 1/2-13 x 5-1/2", Hex Head Cap, Grade 5(2)
11	3-6448	SCREWJACK, Warner Electric 1000 lbs.	49	2-1960	SPACER, PM
12	4-2903	DEFLECTOR, Chute 52" (Weldment)	50	2-3747	BUSHING, Machine
13	2-9277	PIN, Chute Hinge	51	1-7711	PIN, 7/16" HD Lynch
14	9-1313	PIN, 3/32 x 1" Cotter	52	3-6451	GEARBOX, Right Angle
15	2-7950	SPRING, Chute	53	9-1822	BOLT, 1/2-13 x 5" Hex Head Cap, Grade 5 (5)
16	4-2914	BAFFLE, Front (2)	54	4-2867	PULLEY, Cast 5-3/4" O.D.
17	1-0211	KEY, #9 Woodruff	55	3-6455	SHIM, Gearbox
18	9-1331	WASHER, 13/32 x 1-1/2" Flat (8)	56	4-2657	TUBE, Jack stand (Weldment)
19	9-1304	SCREW, 3/8-16 x 1", Hex Head Cap, Grade 5 (21)	57	4-2658	WELDMENT, Jack Stand
20	3-6453	SPACER, Motor, Rear (2)	58	9-1544	NUT, 1/2-13 Hex Flange Lock, Grade 5 (2)
21	4-2901	LINK, Weldment L.H.	59	9-1323	BOLT, 1/2-13 x 1-1/4" Hex Flange Lock, Grade 5 (2)
22	4-2900	LINK, Weldment R.H.	60	3-6450	BRACKET, Strain Relief
23	4-2659	LINK, Height of Cut (2)	61	3-5779	RELIEF, Strain (see page 32)
24	3-6452	SPACER, Tube (2)	62	4-2834	HARNESS, Deck Lift
25	4-2660	HOLDER, Pivot (2)	63	3-6457	BRACKET, Gage Wheel (2)
26	3-6459	MOUNT, Roller L.H.	64	3-6454	INDICATOR, Height-of-Cut
27	3-6458	MOUNT, Roller R.H.	65	5-4104	ASSEMBLY, Telescoping Drive shaft
28	3-6460	TUBE, Roller	66	2-7344	WASHER, 5/8" Flat (2)
29	3-6461	PIN, Roller	67	9-1824	PIN, 5-16 Lynch
30	9-1325	NUT, 1/2-13 Hex Nyloc(13)	68	3-6465	BALLJOINT, 1/2-20 (2)
31	2-7327	ASSEMBLY, Shaft	69	3-5668	SPACER
32	7-9226	ROLLER, Low Density Polyethylene (3)	70	9-0160	SCREW, 3/8-24 x 1", Gr. 5
33	2-9264	WHEEL, Gage (4)	71	2-9869	ASSEMBLY, Wheel/Tire
34	3-6456	SPACER, Gage Wheel (4)	72	2-9870	TIRE, 9" x 3.50" -4 Ply
35	9-1587	WASHER, 1/2" Flat (26)	73		VALVE, Air (Snap-In)
36	9-1884	SCREW, 1/2-13 x 1-1/2" Hex Head Cap, Gr. 2 (4)	74	2-9871	RIM
37	4-2652	TUBE, Caster (Weldment) (2)	75	2-6107	GREASE, Multi-Purpose
38	2-3556	BUSHING, Caster (4)	76	9-0993	SCREW, 1/2-20x 4-1/2" (4)
			77	9-0393	NUT, 1/2-20 Hex Nyloc (4)

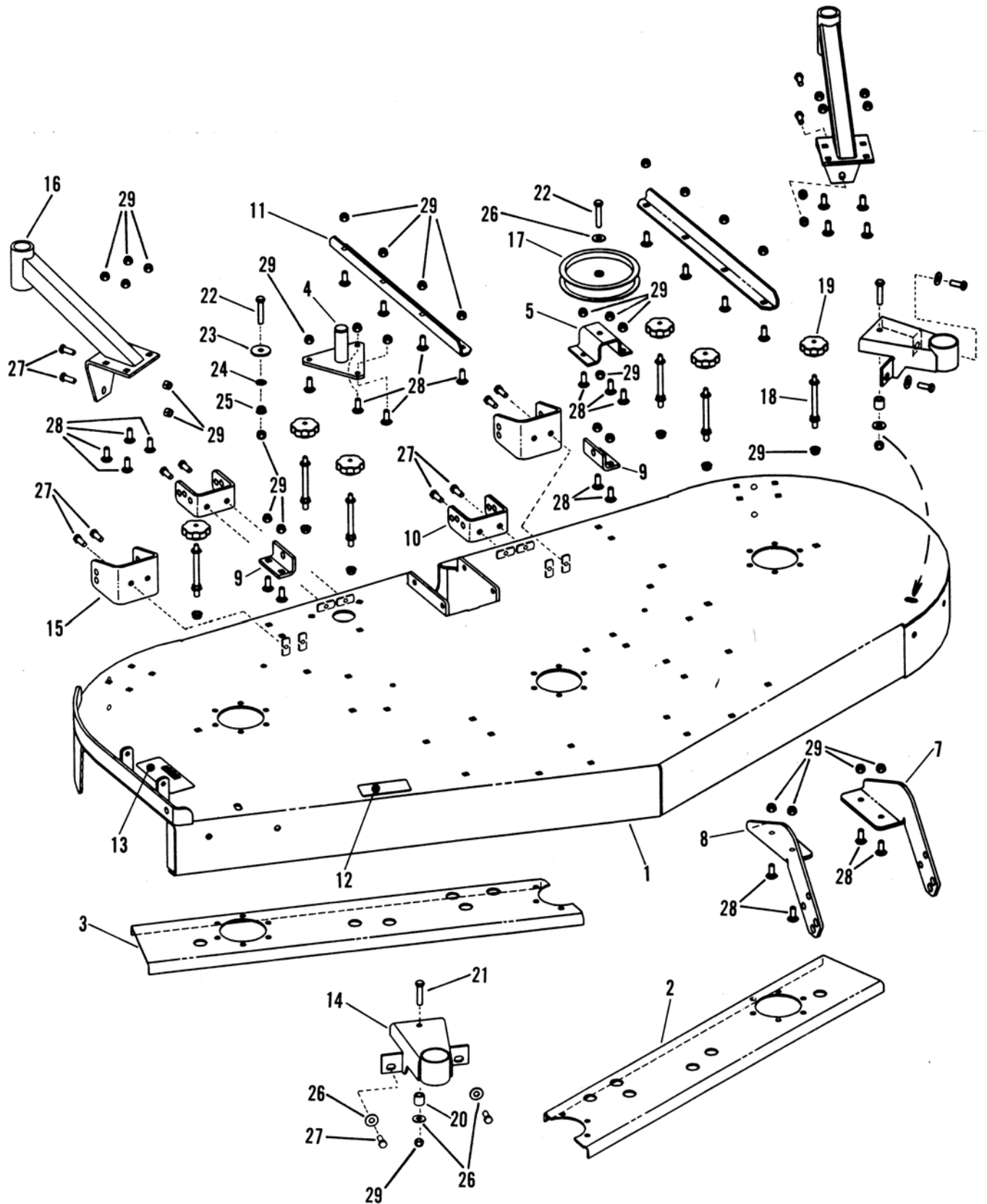
61" MOWER DECK ASSEMBLY



61" MOWER DECK ASSEMBLY

ITEM	PART NO.	DESCRIPTION	ITEM	PART NO.	DESCRIPTION
1	4-2651	WELDMENT, 61" Deck-Adjustable Height	39	7-6998	FITTING, Lube 1/4-28 Straight (3)
2	4-6729	COVER, 61" Deck	40	3-6444	ARM, Lower Caster (2)
3	2-3735	KNOB (4)	41	4-2655	ARM, Caster Support L.H.
4	2-9303	STANDOFF, 3-1/2" (4)	42	4-2653	ARM, Caster Support R.H.
5	9-1299	NUT, 3/8-16 Hex Nyloc (14)	43	2-9355	BOLT, 1/2-13 x 3-3/4", Hex Head, Grade 5 (6)
6	3-5542	V-Belt, 61"(134.5") HB	44	9-1821	BOLT, 1/2-13 x 3" Hex Head (3)
7	9-1823	KEY, 5/32 x 5/8 Woodruff	45	4-2780	WELDMENT, Caster (2)
8	3-6447	MOUNT, Motor (Front)	46	9-1328	SCREW, 3/8-16 x 1-1/4" Hex Head Cap, Grade 5 (2)
9	9-1802	SCREW, 5/16-18 x 5/8" Set Yellow Zinc (2)	47	2-2151	SLEEVE, Axle (2)
10	9-0132	SET SCREW, 3/8-16 x 3/8" (2)	48	9-1326	SCREW, 1/2-13 x 5-1/2", Hex Head Cap, Grade 5 (2)
11	3-6448	SCREWJACK, Warner Electric 1000 lbs.	49	2-1960	SPACER, PM (2)
12	4-2656	DEFLECTOR, Chute 61" (Weldment)	50	2-3747	BUSHING, Machine (2)
13	2-9277	PIN, Chute Hinge	51	1-7711	PIN, 7/16" HD Lynch (2)
14	9-1313	PIN, 3/32 x 1" Cotter	52	3-6451	GEARBOX, Right Angle
15	2-7950	SPRING, Chute	53	9-1822	BOLT, 1/2-13 x 5" Hex Head Cap, Grade 5 (5)
16	3-6445	BAFFLE, Front (2)	54	3-5788	PULLEY, Cast 5.45 O.D.
17	1-0211	KEY, #9 Woodruff	55	3-6455	SHIM, Gearbox
18	9-1331	WASHER, 13/32 x 1-1/2" Flat (7)	56	4-2657	TUBE, Jack stand (Weldment) (2)
19	9-1304	SCREW, 3/8-16 x 1", Hex Head Cap, Grade 5 (18)	57	4-2658	WELDMENT, Jack stand (2)
20	3-6453	SPACER, Motor, Rear (2)	58	9-1544	NUT, 1/2-13 Hex Flange Lock, Grade 5 (2)
21	4-2662	LINK, Weldment L.H.	59	9-1323	BOLT, 1/2-13 x 1-1/4" Hex Flange Lock, Grade 5 (2)
22	4-2661	LINK, Weldment R.H.	60	3-6450	BRACKET, Strain Relief
23	4-2659	LINK, Height of Cut (2)	61	3-5779	RELIEF, Strain (see pg. 34)
24	3-6452	SPACER, Tube (2)	62	4-2834	HARNESS, Deck Lift (see pg. 34)
25	4-2660	HOLDER, Pivot (2)	63	3-6457	BRACKET, Gage Wheel (2)
26	3-6459	MOUNT, Roller L.H.	64	3-6454	INDICATOR, Height-of-Cut
27	3-6458	MOUNT, Roller R.H.	65	5-4104	ASSEMBLY, Telescoping Drive shaft
28	3-6460	TUBE, Roller	66	2-7344	WASHER, 5/8" Flat (2)
29	3-6461	PIN, Roller	67	9-1824	PIN, 5-16 Lynch (2)
30	9-1325	NUT, 1/2-13 Hex Nyloc (20)	68	3-6465	BALLJOINT, 1/2-20 (2)
31	2-7327	ASSEMBLY, Shaft	69	3-5668	SPACER
32	7-9226	ROLLER, Low Density Polyethylene (3)	70	9-0160	SCREW, 3/8-24 x 1", Gr. 5
33	2-9264	WHEEL, Gage (4)	71	2-9869	ASSEMBLY, Wheel/Tire (2)
34	3-6456	SPACER, Gage Wheel (4)	72	2-9870	TIRE, 9" x 3.50" -4 Ply
35	9-1587	WASHER, 1/2" Flat (26)	73		VALVE, Air (Snap-In)
36	9-1884	SCREW, 1/2-13 x 1-1/2" Hex Head Cap, Gr. 2 (4)	74	2-9871	RIM
37	4-2652	TUBE, Caster (Weldment) (2)	75	2-6107	GREASE, Multi-Purpose
38	2-3556	BUSHING, Caster (4)	76	9-0993	SCREW, 1/2-20 x 4-1/2" (4)
			77	9-0393	NUT, 1/2-20 Hex Nyloc (4)

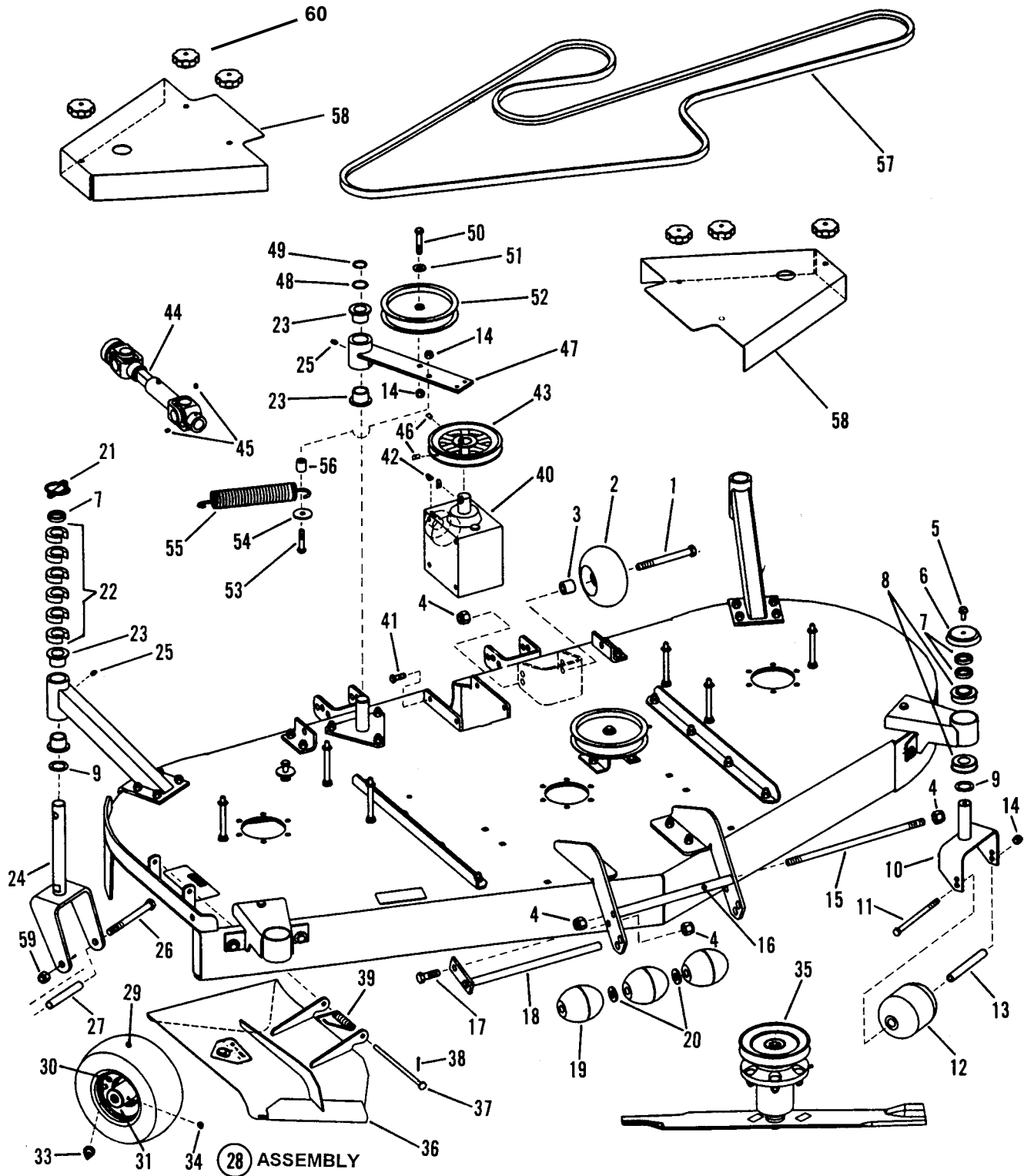
73" MOWER DECK SUB-ASSEMBLY



73" MOWER DECK SUB-ASSEMBLY

ITEM	PART NO.	DESCRIPTION
1	4-1839	WELDMENT, 73" Deck
2	4-6250	CHANNEL, L.H. Deck Stiffener
3	4-6251	CHANNEL, R.H. Deck Stiffener
4	4-1295	WELDMENT, Idler Pivot
5	3-6449	STAND, Fixed Idler
6	3-5789	PULLEY, Idler 5-1/2" O.D.
7	3-6459	ROLLER MOUNT, Left Hand
8	3-6458	ROLLER MOUNT, Right Hand
9	4-3824	HANGER BRACKET, Rear Deck Lift (2)
10	4-6623	BRACKET, Rear Deck Hanger (2)
11	4-6509	STIFFENER, Deck (2)
12	4-6371	DECAL, 73" Deck
13	2-2522	DECAL, Warning
14	4-1821	WELDMENT, Gage Wheel (2)
15	3-6457	BRACKET, Gage Wheel (2)
16	4-6515	WELDMENT, Caster Support (2)
17	3-5789	PULLEY, Idler 5-1/2" O.D.
18	2-9303	STANDOFF, 3-1/2" (6)
19	2-3735	KNOB, 5/16-18 (6)
20	4-4752	SPACER (2)
21	9-1553	SCREW, 3/8-16 x 1-3/4" Hex Head Cap, Grade 5 (2)
22	9-1305	SCREW, 3/8-16 x 2" Hex Head Cap, Grade 5 (2)
23	9-1331	WASHER, .406 I. D. x 1-1/2" O.D. Flat
24	1-3847	RETAINER, 3/8" Bolt
25	9-1619	NUT, 3/8-16 Hex Flange Lock
26	9-1300	WASHER, .44 I.D. x 1" O.D. (7)
27	9-1304	SCREW, 3/8-16 x 1" Hex Head Cap, Grade 5 (16)
28	9-1640	BOLT, 3/8-16 x 1" square Neck Carriage, Grade 5 (30)
29	9-1299	NUT, 3/8-16 Hex Nyloc (44)

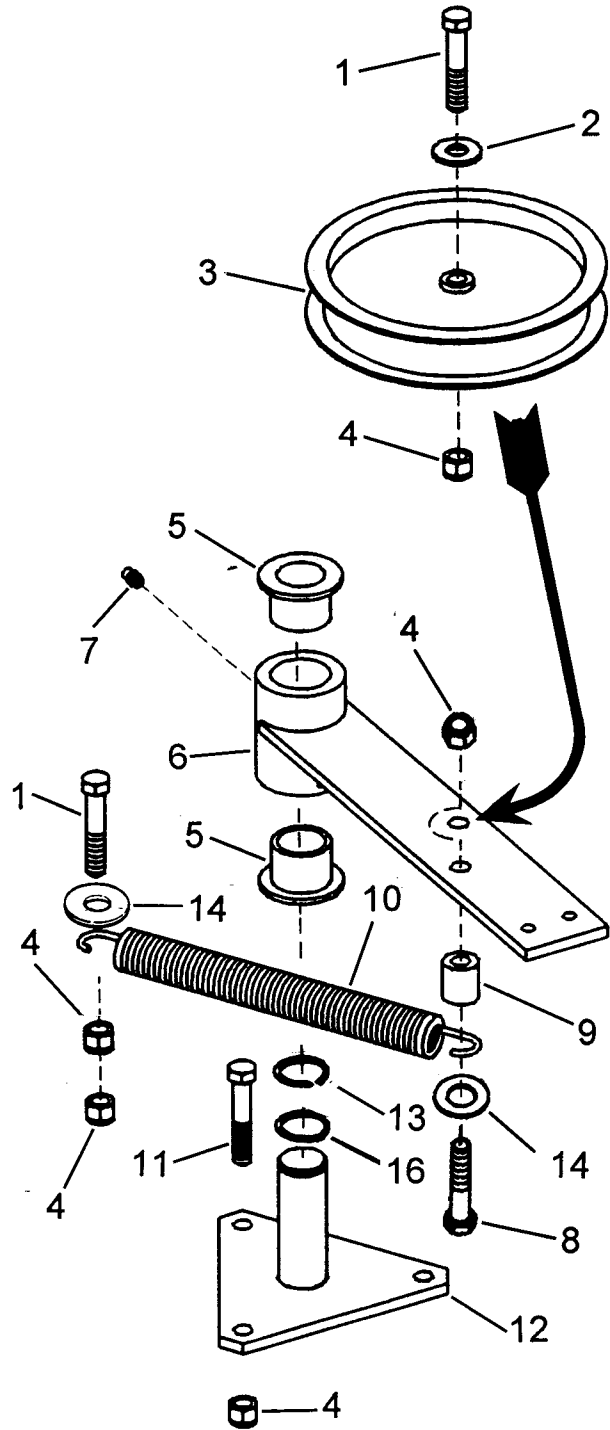
73" MOWER DECK ASSEMBLY



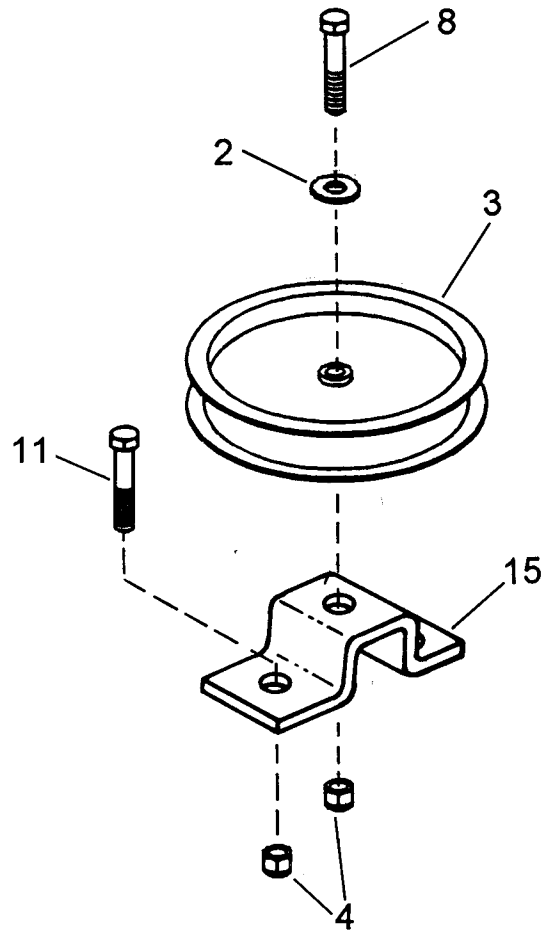
73" MOWER DECK ASSEMBLY

ITEM	PART NO.	DESCRIPTION
1	9-1822	SCREW, 1/2-13 x 5" Hex Head Cap (2)
2	2-9264	GAGE WHEEL (2)
3	3-6456	SPACER, Gage Wheel (2)
4	9-1325	NUT, 1/2-13 Hex Nyloc (5)
5	9-1541	SCREW, 5/16-18 x 3/4" Hex Washer Self-Tap (2)
6	4-4839	CAP, Caster Shaft (2)
7	2-1960	SPACER (6)
8	4-4892	BEARING, Flanged Radial 1 x 2 x 23/32" Double Seal (4)
9	2-3747	BUSHING, Machine 1" I.D. (4)
10	4-4646	WELDMENT, Gauge Wheel Caster (2)
11	9-1617	SCREW, 3/8-16 x 6" Hex Head Cap (2)
12	7-9868	ROLLER, 3-3/4 x 4-13/16" Nylon (2)
13	7-9882	TUBE, Axle (2)
14	9-1299	NUT, 3/8-16 Hex Nyloc (6)
15	3-6461	ROD, Threaded Roller
16	3-6460	TUBE, Roller
17	9-1884	SCREW, 1/2-13 x 1-1/2" Hex Head Cap
18	2-7327	WELDMENT, Pivot Pin
19	7-9226	ROLLER, Low Density Polyethylene (3)
20	2-7344	WASHER, 5/8" SAE Flat (2)
21	1-7711	PIN, 7/16" Linch (2)
22	1-9152	SPACER, Caster (12)
23	2-3556	BUSHING, Caster (6)
24	4-6523	WELDMENT, Caster Yoke (2)
25	7-6998	FITTING, 1/4-28, Straight, Grease (3)
26	9-1326	SCREW, 1/2-13 x 5-1/2" Hex Head Cap, Grade 5 (2)
27	2-2151	SLEEVE, Axle (2)
28	2-9869	ASSEMBLY, Wheel/Tire (2) (includes items 29-34)
29	2-9870	TIRE, 9 x 3.50-4, 4 Ply Smooth
30	2-9871	RIM, One Piece Steel, White
31	2-2394	BEARING, Flanged (2)
32	2-2395	BEARING, Roller (not shown)
33	1-2234	VALVE, Air
34	4-6430	FITTING, 1/4-28, 45 Degree, Grease
35	5-7779	GROUP, Spindle (3) (see page 24 for parts breakdown)
36	4-7139	WELDMENT, Chute Deflector
37	2-9277	HINGE PIN, Chute
38	9-1313	PIN, 3/32 x 1" Cotter
39	2-7950	SPRING, Chute
40	4-6624	GEARBOX, Right Angle 1.5:1
41	9-1304	SCREW, 3/8-16 x 1" Hex Head Cap, Grade 5 (4)
42	1-3857	KEY, 1/4 x 7/8" Woodruff (2)
43	4-6889	PULLEY, Cast 5.95 O.D.
44	5-7863	DRIVESHAFT, Telescoping
45	9-0132	SCREW, 3/8-16 x 3/8" Set (2)
46	9-1802	SCREW, 5/16-18 x 5/8" Socket Head Set (2)
47	4-2619	WELDMENT, Idler Arm
48	3-2031	WASHER, 1-1/32 I.D. x 1-1/4" O.D. Flat
49	1-2709	E-RING, 1"
50	9-1305	SCREW, 3/8-16 x 2" Hex Head Cap, Grade 5
51	9-1300	WASHER, 3/8" Flat
52	3-5789	PULLEY, 5-1/2" O.D. Idler
53	9-1553	SCREW, 3/8-16 x 1-3/4" Hex Head Cap, Grade 5
54	9-1331	WASHER, 13/32 I.D. x 1-1/2" O.D. Flat
55	3-5667	SPRING, Extension
56	3-5858	SPACER, 1/2 I.D. x 3/4" O.D. x .83
57	4-6891	BELT, 152" HB Section
58	4-6644	GUARD, Pulley (2)
59	9-1922	NUT, 1/2-13 Hex Light Nyloc (2)
60	2-3735	KNOB (6)

52" & 61" DECK IDLER ASSEMBLIES



SPRING LOADED IDLER ASSEMBLY

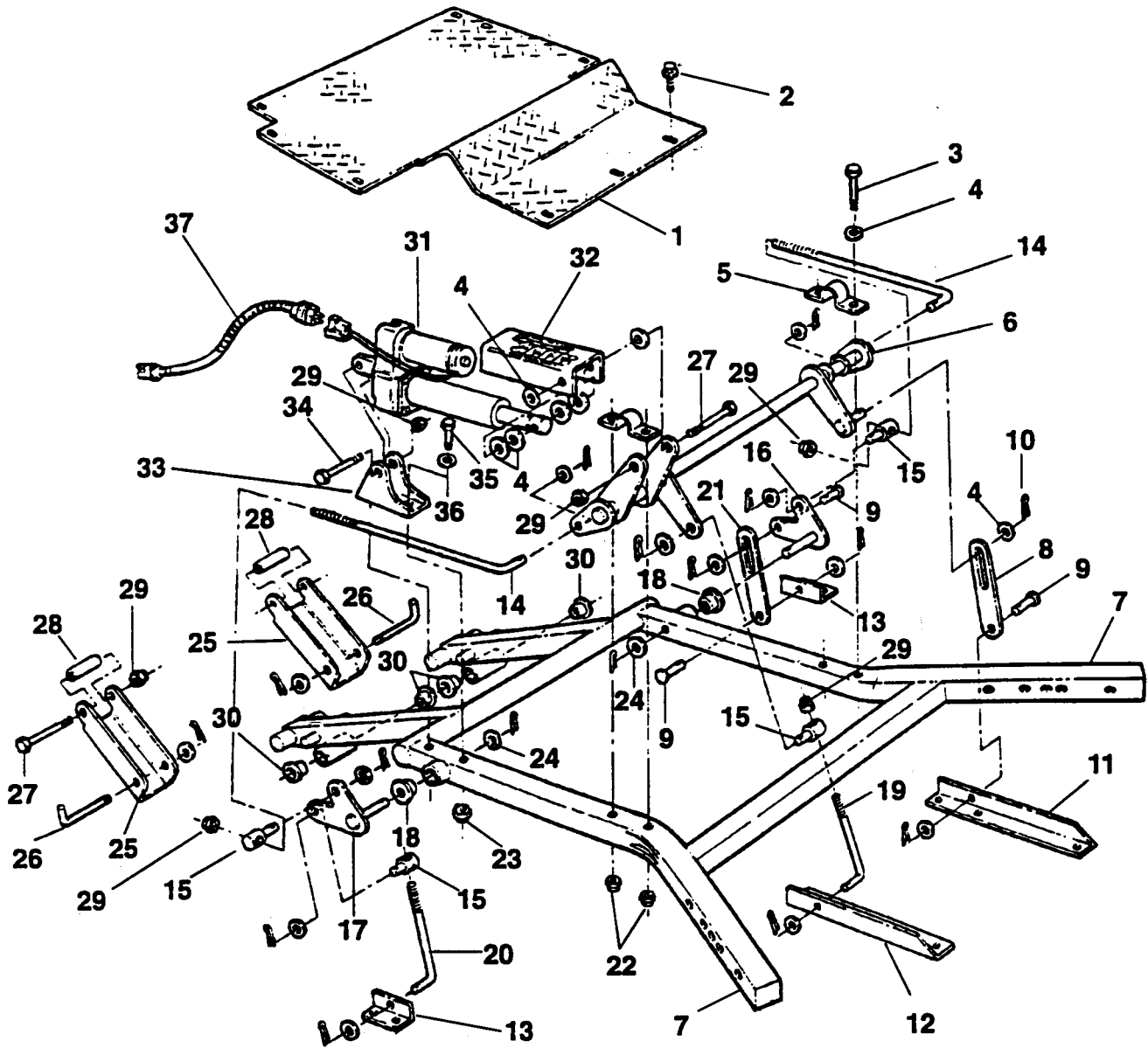


FIXED IDLER ASSEMBLY

52" & 61" DECK IDLER ASSEMBLIES

ITEM	PART NO.	DESCRIPTION
1	9-1305	SCREW, 3/8-16 x 2" Hex Head Cap, Grade 5 (2)
2	9-1300	WASHER, 3/8" Flat (2)
3	3-5789	PULLEY, Idler 5-1/2" O.D. (2)
4	9-1299	NUT, 3/8-16 Hex Nyloc (11)
5	2-3556	BUSHING (2)
6	4-2619	ARM, Idler (Weldment)
7	7-6998	FITTING, Lube 1/4-28 Straight
8	9-1553	SCREW, 3/8-16 x 1-3/4" Hex Head Cap, Grade 5 (2)
9	3-5858	SPACER, .50 I.D. x .75 O.D. x .83
10	3-5667	SPRING, Extension
11	9-1304	SCREW, 3/8-16 x 1" Hex Head Cap, Grade 5 (6)
12	4-1295	PLATE, Tri-Mount (Weldment)
13	1-2709	E-RING 1"
14	9-1331	WASHER, .406 x 1.5 x .120 Yellow Zinc (2)
15	3-6449	STAND, Fixed Idler
16	3-2031	WASHER, 1.031 x 1.25

73" DECK FRAME ASSEMBLY

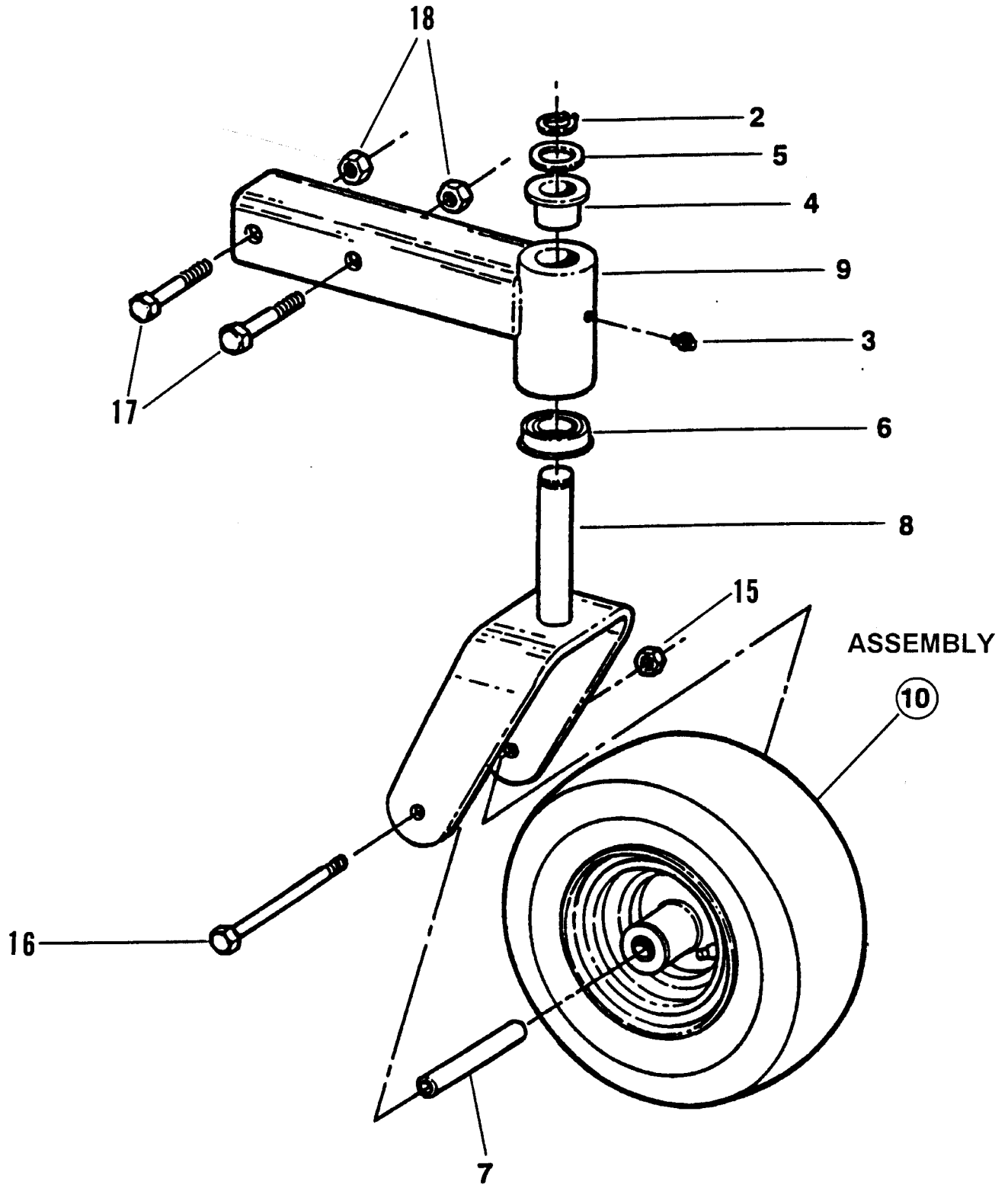


**NOTE: UNLESS OTHERWISE SPECIFIED, ALL FLAT WASHERS ARE ITEMS 4 (22 TOTAL),
AND ALL COTTER PINS ARE ITEMS 10 (16 TOTAL)**

73" DECK FRAME ASSEMBLY

ITEM	PART NO.	DESCRIPTION
1	4-7171	PLATE, Diamond Tread Foot
2	9-1523	SCREW, 5/16-18 x 5/8" Hex Washer Head, Self-Tapping Swage (8)
3	9-0219	SCREW, 5/16 x 2-1/2" Hex Head Cap, Grade 2 (4)
4	9-1587	WASHER, 17/32 Flat (22)
5	4-3803	BRACKET, Deck Lift Hanger (2)
6	4-6595	ARM, Front Lift (Weldment)
7	4-7130	FRAME, Deck (Weldment)
8	4-6602	BAR, 7" Lift
9	1-2802	PIN, 1/2 x 1 1/8" Clevis (YZ) (2)
10	9-1516	PIN, 5/32 x 1" Cotter (16)
11	4-6508	ANGLE, Front Deck Mounting (L.H.)
12	4-6507	ANGLE, Front Deck Mounting (R.H.)
13	4-3824	BRACKET, Deck Lift, Rear (2)
14	4-6598	ROD, Timing, 1/2" Threaded (2)
15	4-6599	SWIVEL, .50 Thru Hole (4)
16	4-6596	ARM, Rear Bellcrank (L.H.) (Weldment)
17	4-6597	ARM, Rear Bellcrank (R.H.) (Weldment)
18	3-5496	BEARING, .75 I.D. (4)
19	4-6856	J-BOLT, 1/2" Dia. x 8 1/2" Long (Front)
20	4-6857	J-BOLT, 1/2" x 7" Long (Rear)
21	4-6603	BAR, 5.62 Lift
22	9-1298	NUT, 5/16-18-3B (YZ) (4)
23	9-1299	NUT, 3/8-16 Nyloc (YZ) (2)
24	9-0863	WASHER, 13/16 x 1 15/32" (HS) (2)
25	4-6594	CHANNEL, Deck Stabilizer (2)
26	4-7178	J-BOLT, Deck Attachment (2)
27	9-0735	BOLT, 1/2-13 x 4" Hex (HO) (3)
28	4-6605	SLEEVE, Stabilizer (2)
29	9-1922	NUT, 1/2-13 Nyloc, Regular (YZ) (2)
30	2-9258	BUSHING, Suspension (4)
31	3-6448	LINEAR ACTUATOR, 1000 Lbs., 4" Stroke
32	3-6454	INDICATOR, Height Of Cut
33	4-6593	BRACKET, Actuator Anchor
34	9-1218	SCREW, 1/2 UNC x 2.5 Hex Head Cap (Black Phosphate)
35	9-1501	SCREW, 3/8-16 x 2-1/2" Hex Head Cap (2)
36	9-1514	WASHER, .406 x .812 x .075" (YZ) (2)
37	4-7166	WIRE HARNESS, Deck Lift

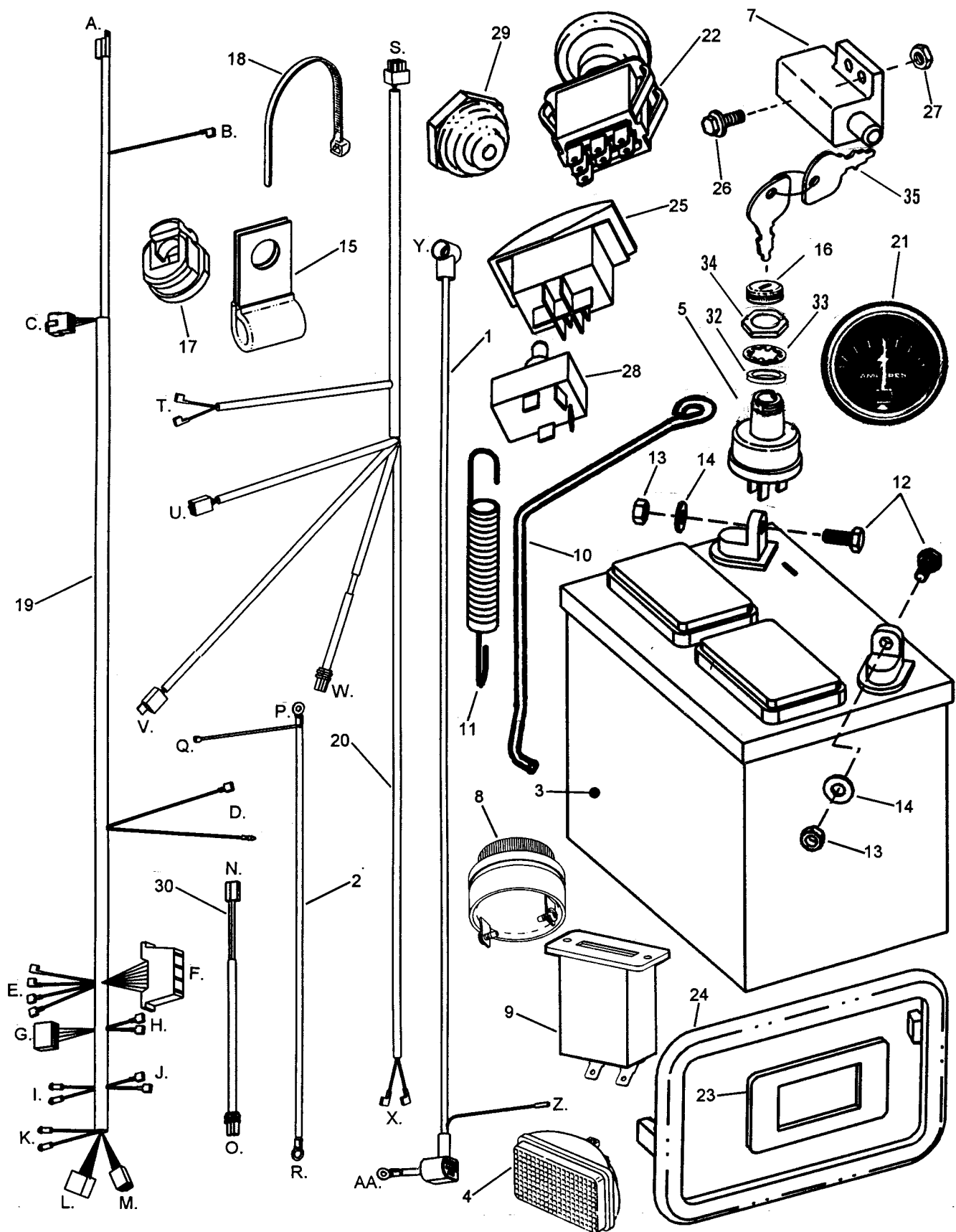
73" DECK FRONT CASTER ASSEMBLY



73" DECK FRONT CASTER ASSEMBLY

ITEM	PART NO.	DESCRIPTION
1	--	ASSEMBLY, 11" Front Caster (Includes Items 2 thru 14) (2)
2	1-2709	RING, 1" External Retaining
3	1-3864	FITTING, 3/16" Lube
4	2-3556	BUSHING, Caster
5	2-3747	BUSHING, 1" Machine
6	2-9141	BEARING, Flanged Ball
7	3-5359	TUBE, 5/8" x 18 Ga. Wall x 3.545
8	4-6620	YOKE, Caster (Weldment)
9	4-7138	ARM, Telescoping Caster (Weldment)
10	5-8248	ASSEMBLY, Wheel (Includes Items 11 thru 14)
11	1-2234	VALVE, Air
12	7-2197	HUB, Caster Wheel White
13	3-5358	BEARING, 5/8" I.D. x 1-3/8" (2)
14	3-5618	TIRE, 11 x 4.00-5 Smooth Tread
15	9-1917	NUT, 7/16-14 Hex Nyloc
16	9-1772	SCREW, 7/16-14 x 6" Hex Head Cap, Grade 5
17	9-1821	SCREW, 1/2-13 x 3" Hex Head Cap (2)
18	9-1922	NUT, 1/2-13 Hex Light Nyloc (2)

ELECTRICAL COMPONENTS



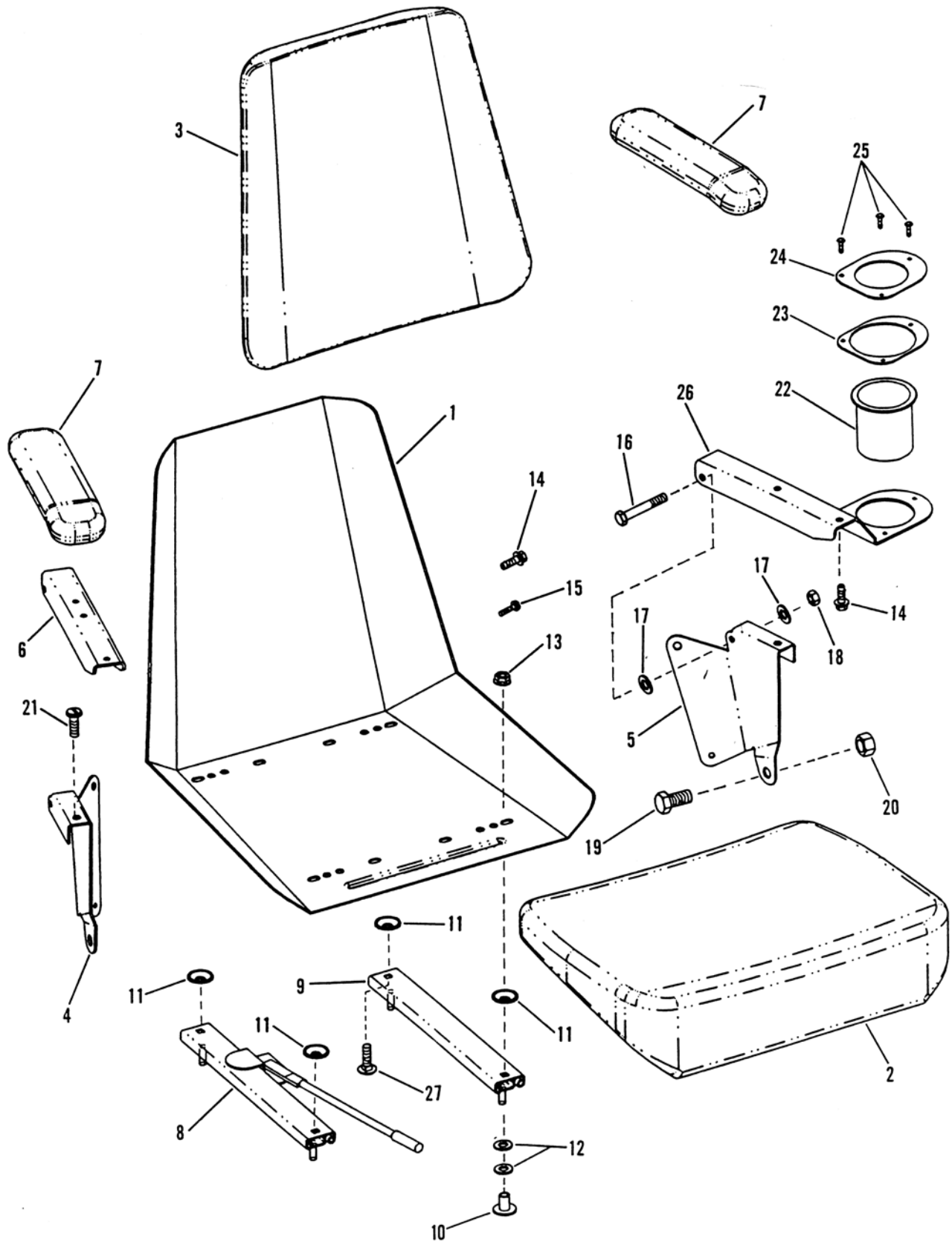
ELECTRICAL COMPONENTS

ITEM	PART NO.	DESCRIPTION
1	3-5607	CABLE, Battery- Positive
2	3-5609	CABLE, Battery- Negative
3	3-5610	BATTERY, 11 Plate- 375CCA
4	1-8829	HEAD LIGHT (2)
5	2-6343	SWITCH, Ignition- Afterfire Solenoid
6	1-7590	SWITCH, Seat NC (see page 19 for illustration)
7	2-3355	SWITCH, DPDT
8	7-9208	BUZZER, Pulsing
9	1-5277	HOUR METER, D.C. Series 1500
10	2-2366	BRACKET, Battery
11	2-2696	SPRING, Battery
12	9-0072	SCREW, 1/4-20 x 5/8", Hex Head Cap, Gr. 5 (2)
13	9-0372	NUT, 1/4-20 Hex Center Lock, Grade B or 5 (2)
14	9-0055	WASHER, .28 I.D. x .63 O.D. x .06 Flat (2)
15	1-5861	CLIP, Harness
16	2-3506	BEZEL
17	3-5779	STRAIN RELIEF, Wire (2)
18	1-2080	CABLE TIE, 7" (15)
19	3-5606	HARNESS, Control Panel
20	3-5614	HARNESS, Front
21	1-9547	ASSEMBLY, Ammeter and Clamp
22	3-5658	SWITCH, PTO
23	3-5661	SPACER, PTO Switch
24	3-5550	BEZEL, Headlight (2)
25	3-5659	SWITCH, Lights
26	9-1240	SCREW, #10-32 x 5/8" Hex Wash. Hd. Machine, Gr. 5 (2)
27	9-0376	NUT, #10-32 Hex Nyloc (2)
28	3-5700	SWITCH, Self Centering, Deck Lift
29	3-5702	SEAL, Switch
30	4-2834	HARNESS, Deck Lift
31	9-0585	NUT, 5/16-18 Hex Flange Lock, Grade 5
32	1-6132	SPACER, 5/8"
33	9-1546	WASHER, 5/8" Internal Tooth Lock
34	1-2685	NUT, 5/8-32 Hex
35	1-1138	KEY, and Ring

PLUG	CONNECTS TO:
A.	Electric Clutch
B.	Starter Solenoid
C.	Engine
D.	Battery
E.	Deck Lift Switch
F.	Fuse Box (mounted under Console Panel, item 3-5701, Page 20)
G.	PTO Switch
H.	Light Switch
I.	Amp Meter
J.	Hour Meter
K.	Buzzer
L.	Front Harness

PLUG	CONNECTS TO:
M.	Ignition Switch
N.	Electric Screwjack (3-6448, page 30)
O.	Front Harness
P.	Battery Terminal (Neg.)
Q.	Control Panel Harness (Green Wire)
R.	Ground (Engine Base)
S.	Control Panel Harness
T.	Right Head Light
U.	Park Break Switch (2-3355)
V.	Seat Switch (1-7590)
W.	Deck Lift Harness (3-5615)
X.	Left Head Light
Y.	Starter Solenoid
Z.	Control Panel Harness (Black Wire)
AA.	Battery Terminal (Pos.)

SEAT ASSEMBLY



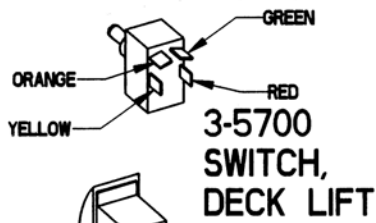
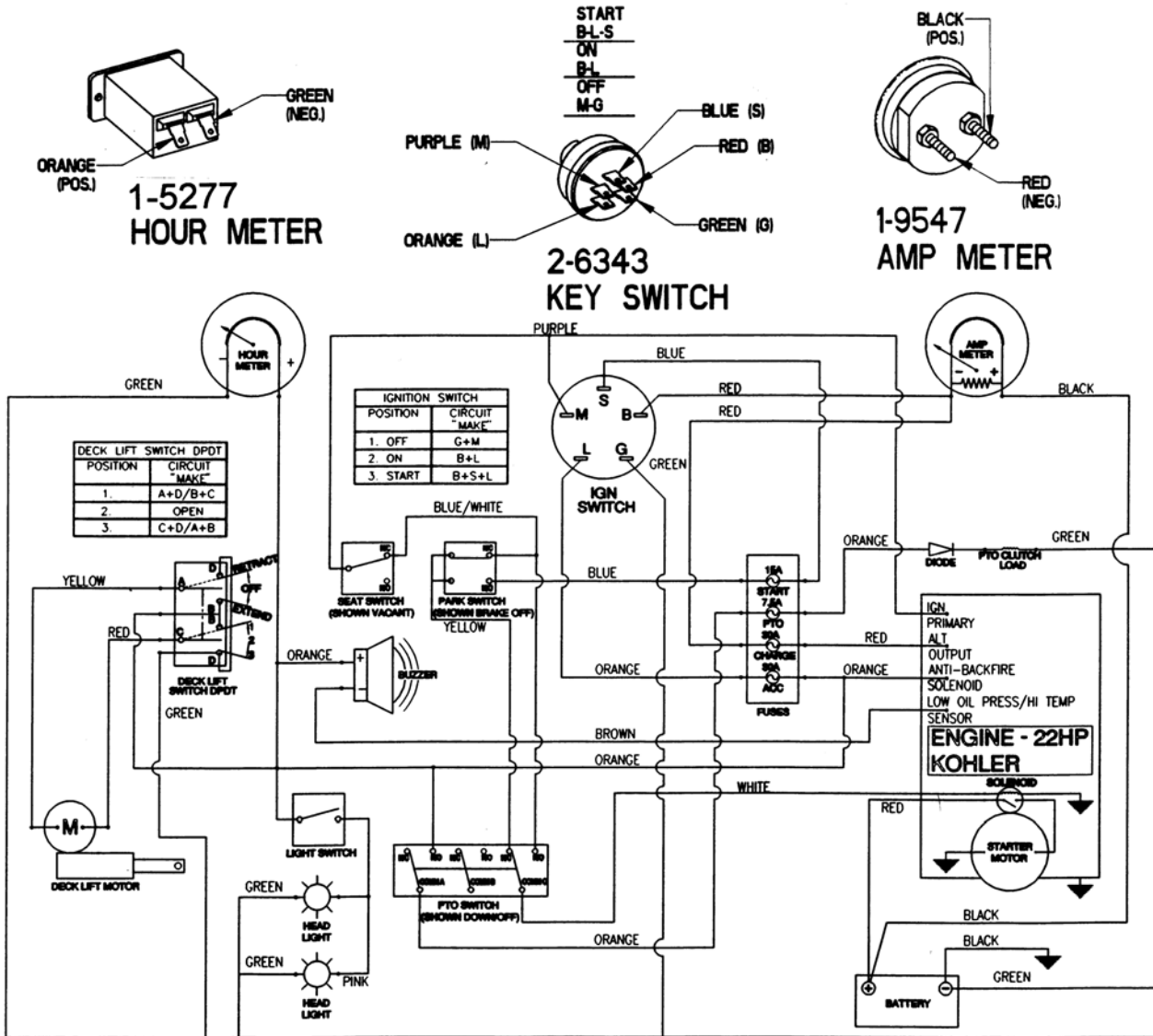
SEAT ASSEMBLY

ITEM	PART NO.	DESCRIPTION
1	**	PAN, Complete
2	3-6476	CUSHION, Seat
3	3-6477	CUSHION, Back
4	4-4724	BRACKET, Armrest R.H.
5	3-5568	BRACKET, Armrest L.H.
6	3-6478	CHANNEL, Armrest (2)
7	3-6479	ARM PAD, Grey (2)
8	3-6484	ADJUSTER (with lock)
9	3-6485	ADJUSTER (without lock)
10	**	STUD GUARD (4)
11	3-6486	SPACER, Bell (4)
12	9-1296	WASHER, 11/32" Flat, Grade 5 (8)
13	9-1601	NUT, 5/16-18 Hex Flange Grade 5 (6)
14	**	SCREW, 1/4-20 x 3/4" Phillips (9)
15	**	SCREW, #8 x 1/2" Set (2)
16	2-7174	SCREW, 5/16-18 x 2" Hex Head Cap, Grade 5 (2)
17	3-5797	WASHER, .406 I.D. Poly (4)
18	9-1067	NUT, 5/16-18 Hex Center Lock Grade B (2)
19	9-0646	SCREW, 1/2-13 x 1" Hex Head Cap, Grade 5 (2)
20	9-0975	NUT, 1/2-13 Hex Head Center Lock, Grade 5 (2)
21	9-0683	SCREW, 5/16-18 x 1" Slotted Pan Head
22	4-2968	HOLDER, Beverage
23	4-4902	SPACER, Cup Holder
24	4-4903	COVER, Cup Holder
25	9-1919	RIVET, 3/16 Pan Head (3)
26	4-4904	BRACKET, Arm Rest Cup Holder
27	9-1303	BOLT, 5/16-18 x 1" Short Neck Carriage Gr. 5 (6)

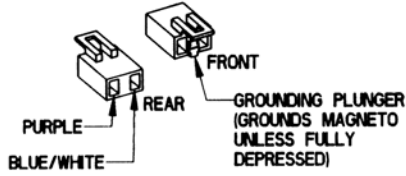
****NOTE: Not a Sales Item.**

Refer to Page 18 for Seat Support Components.

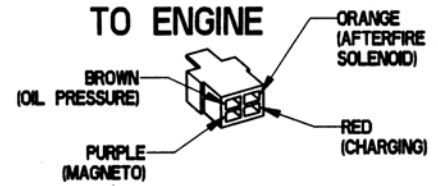
WIRING SCHEMATIC



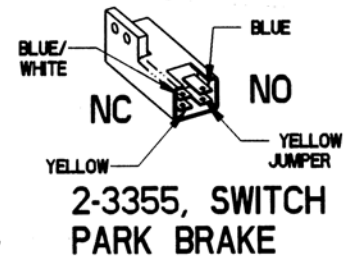
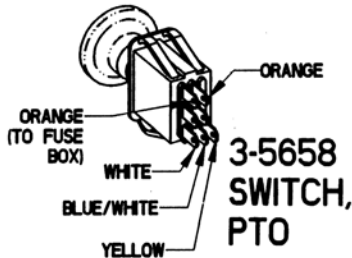
PLUG, SEAT SWITCH



TO ENGINE



1-7590 SWITCH, SEAT



Parts Manual for

SNAPPER®

OUT FRONT Z-RIDER™

**ZERO TURNING HYDRO DRIVE
SERIES 0**

IT IS THE POLICY OF SNAPPER TO IMPROVE ITS PRODUCTS WHENEVER IT IS POSSIBLE AND PRACTICAL TO DO SO. WE RESERVE THE RIGHT TO MAKE CHANGES OR ADD IMPROVEMENTS AT ANY TIME WITHOUT INCURRING ANY OBLIGATION TO MAKE SUCH CHANGES ON PRODUCTS MANUFACTURED PREVIOUSLY.

COPYRIGHT © 2002
SNAPPER INC.
ALL RIGHTS RESERVED

MANUAL No. 06106

(REV 4, 9/30/02)

PRINTED IN U.S.A.

Free Manuals Download Website

<http://myh66.com>

<http://usermanuals.us>

<http://www.somanuals.com>

<http://www.4manuals.cc>

<http://www.manual-lib.com>

<http://www.404manual.com>

<http://www.luxmanual.com>

<http://aubethermostatmanual.com>

Golf course search by state

<http://golfingnear.com>

Email search by domain

<http://emailbydomain.com>

Auto manuals search

<http://auto.somanuals.com>

TV manuals search

<http://tv.somanuals.com>