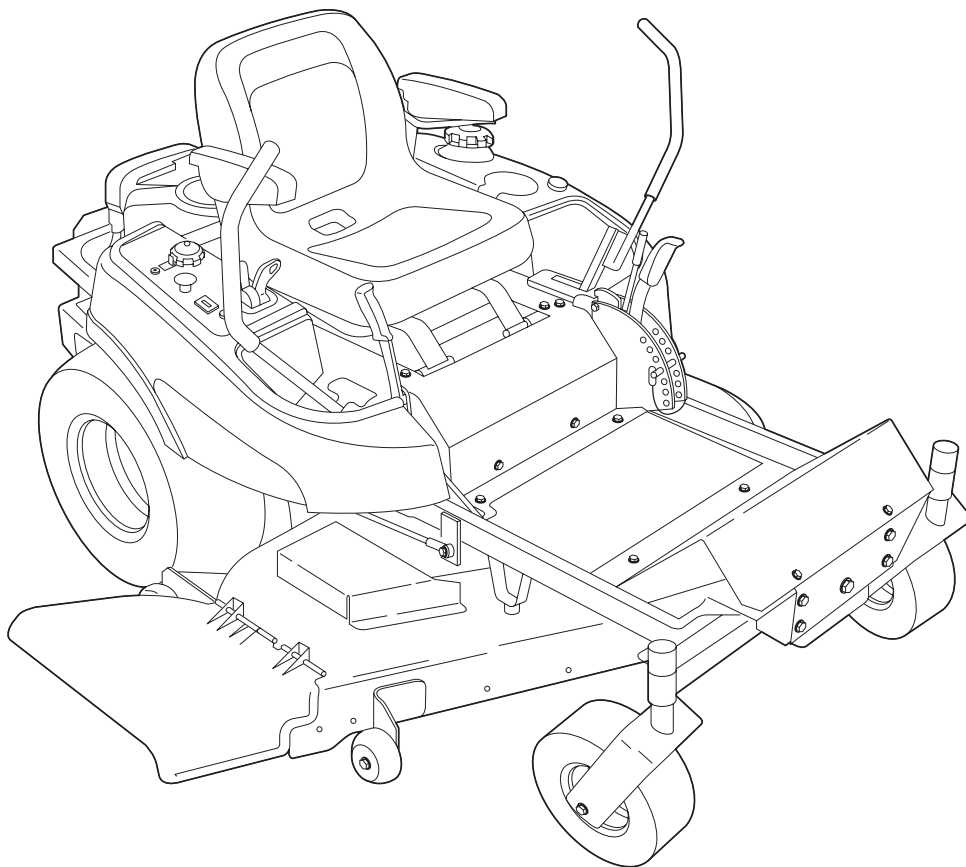


Parts Manual for
SNAPPER[®]

**FastCut HYDRO DRIVE ZTR
SERIES 0**

MODEL
ZT18440KH
ZT20500BV
EZT20500BV



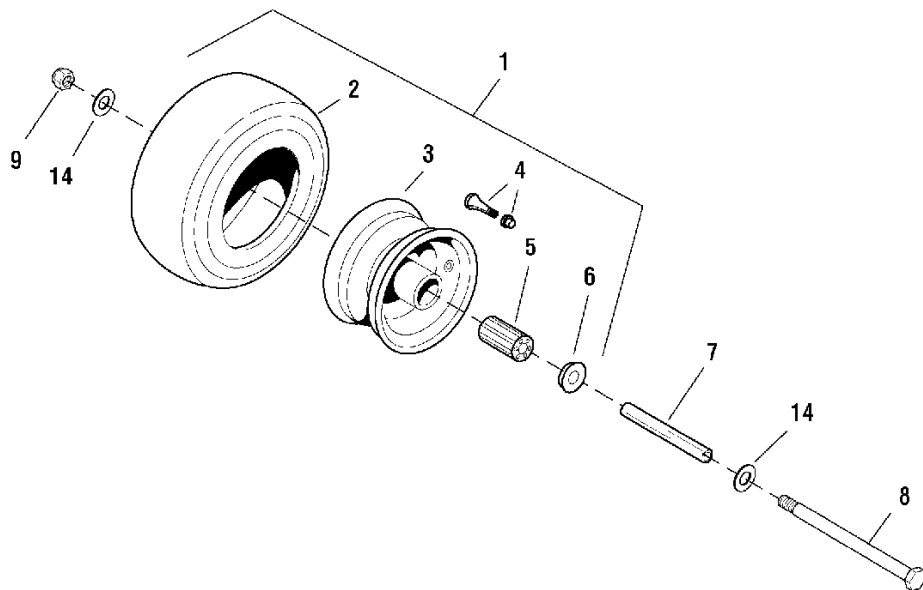
SNAPPER McDonough, GA, 30253 U.S.A.

COPYRIGHT © 2006
SNAPPER PRODUCTS, INC.
ALL RIGHTS RESERVED.

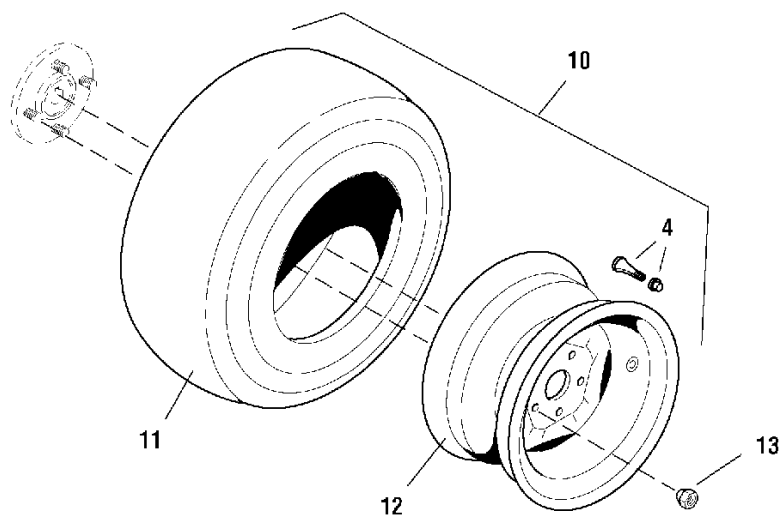
Revision 4, 9/21/2006

Manual No. 7006932
TP 400-5000-4-HZ-N

PAGE	GROUP
4	Wheels & Tires Group
6	Frame Caster Group
8	Bumper Shield Group
10	Seat Kickplate Floor Group
12	Fuel Tank Mount Group
14	Parking Brake Group
18	Motion Controls Group - Upper
20	Motion Controls Group - Lower
22	Pump Drive Group
24	Hydraulics Group Version 1
26	Hydraulics Group Version 2
28	Engine & PTO Group - 18HP Kohler
30	Engine & PTO Group - 20HP Briggs & Stratton
32	Deck Lift Group Version 1
36	Deck Lift Group Version 2
40	44" Mower Deck - Caster Mount Group
42	44" Mower Deck - Roller Bar Group
44	50" Mower Deck - Caster Mount Group
46	50" Mower Deck - Roller Bar Group
48	44" & 50" Mower Deck - Belt & Idler Group
50	44" & 50" Mower Deck - Housing, Arbors & Blades Group
54	Decals Group - Brand & Model
56	Decals Group - Safety & Common
58	Controls Group - Panel
60	Electrical Group
62	Wiring Schematic 18hp
64	Wiring Schematic 20hp



Front Wheels



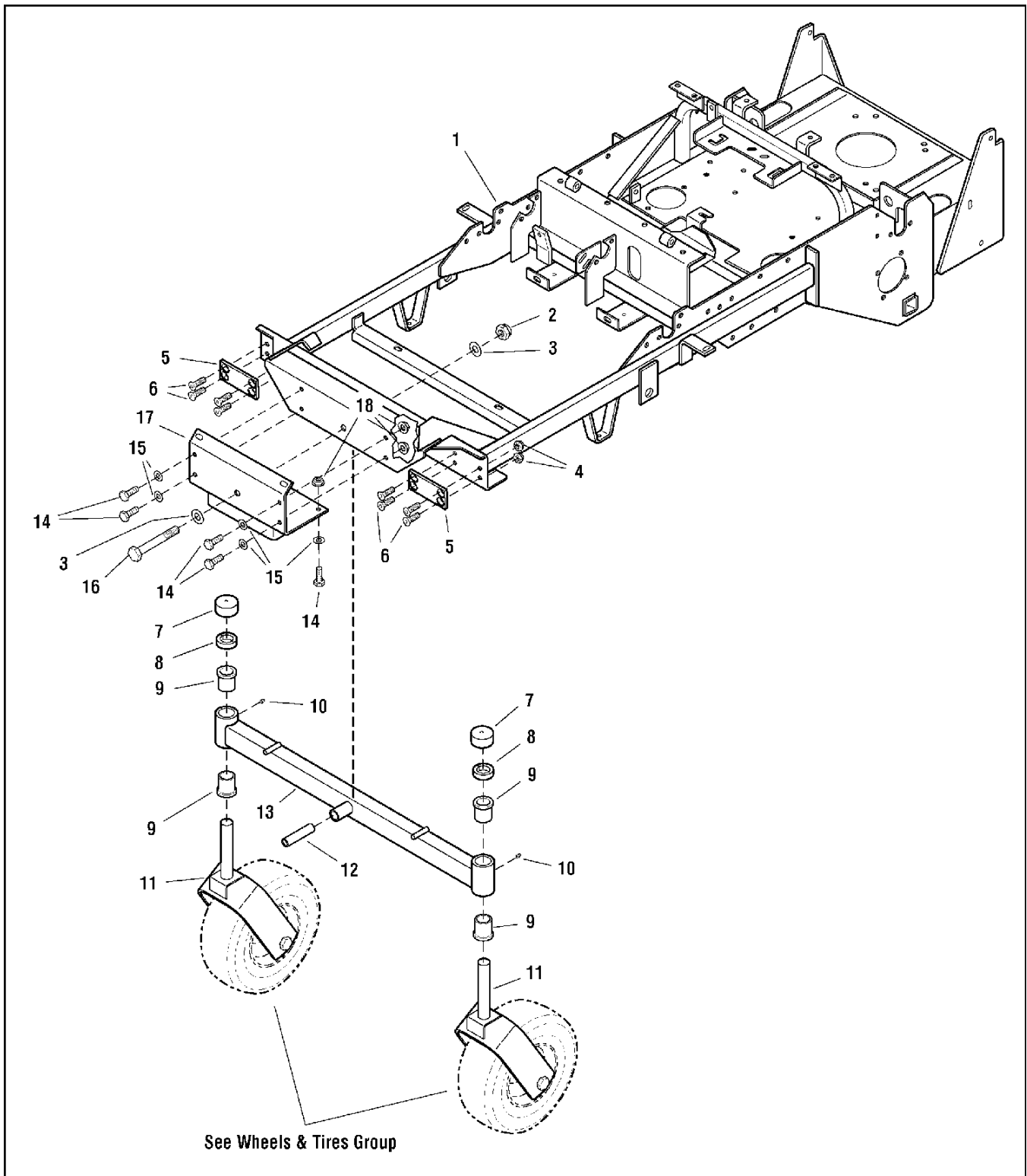
Rear Wheels

Wheels & Tires Group

Item	Part No	Qty	Description	Note
1	5022433S	2	WHEEL & TIRE ASSEMBLY, 11 X 4.0 - 5, COMPLETE (INCLUDES REF NO. 2 - 6)	
2	5022433X1	2	TIRE, FRONT, 11 X 4.0 - 5	
3	5022433SX2	2	WHEEL ASSEMBLY, COMPLETE (INCLUDES REF NO. 4 & 5)	
4	2172353	4	VALVE STEM & CAP ASSEMBLY	
5	5022579	4	BEARING, ROLLER (2 PER TIRE)	
6	5021043	4	BEARING RETAINER (2 PER TIRE)	
7	5045996	2	AXLE, FRONT CASTER	
8	5025017X52	2	CAPSCREW, HEX HEAD, 1/2-13 X 6-1/2	
9	3025056	2	NUT, HEX NYLON LOCK, 1/2-13	<i>Was 5025056</i>
10	5023095	2	WHEEL & TIRE ASSEMBLY, 20 X 8.0 - 10, COMPLETE (INCLUDES REF NO. 4, 11 & 12)	
11	5023095X1	2	TIRE, REAR, 20 X 8.0 X 10	
12	5023095X2	2	WHEEL ASSEMBLY, FOR 20 X 8.0 X 10 TIRE	
13	5020601	8	LUG NUT, 1/2-20	
14	7091587	4	WASHER, SAE, 1/2	<i>Was 5025158</i>

Footnotes:

Frame Caster Group

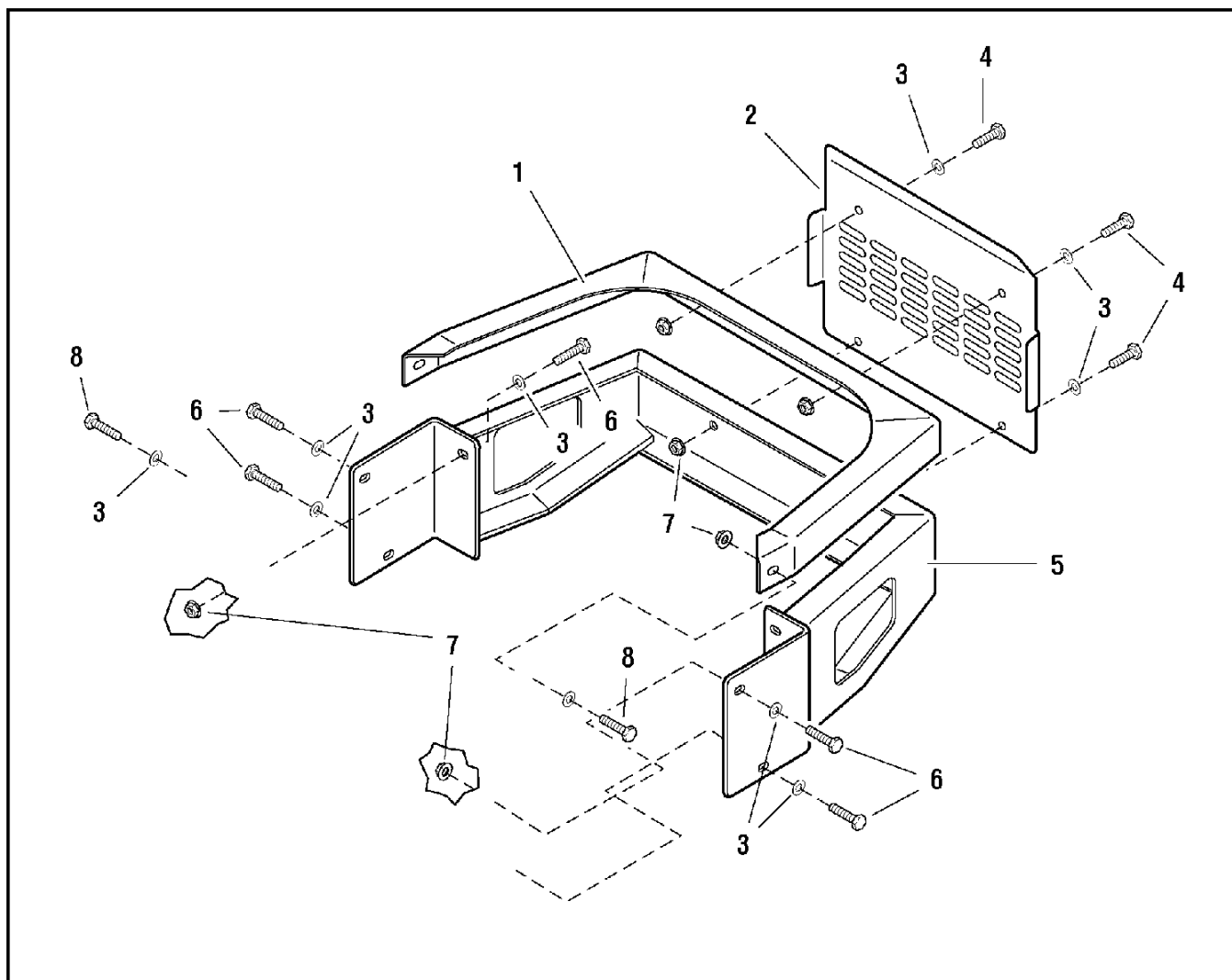


Frame Caster Group

Item	Part No	Qty	Description	Note
1	5048869D	1	MAIN FRAME WELDMENT	
2	3025056	1	NUT, HEX NYLON LOCK, 1/2-13	Was 5025056
3	7091587	2	WASHER, SAE, 1/2	Was 5025158
4	7091298	8	NUT, HEX NYLON LOCK, 5/16-18	Was 5025057
5	5045990	2	FRICTION PLATE	
6	5025303	8	SCREW, FLAT HEAD SOCKET, 5/16-18 X 3/4	
7	5023214	2	VINYL CAP	
8	5020602	2	COLLAR, SPLIT, 1"	
9	5021541	4	BUSHING, FLANGE	
10	5020095	2	GREASE FITTING	
11	5048775C	2	CASTER YOKE	
12	5048106	1	SPACER, .51 X .75 X 3.375	
13	5048870D	1	PIVOT FRAME WELDMENT	
14	5025011X6	6	CAPSCREW, HEX HEAD, 5/16-18 X 3/4	
15	7091098	6	WASHER, SAE, 5/16	Was 5025155
16	5025017X40	1	CAPSCREW, HEX HEAD, 1/2-13 X 5	
17	5048241D	1	DECK HANGER WELDMENT	
18	5025139	6	NUT, HEX SERRATED FLANGE, 5/16-18	

Footnotes:

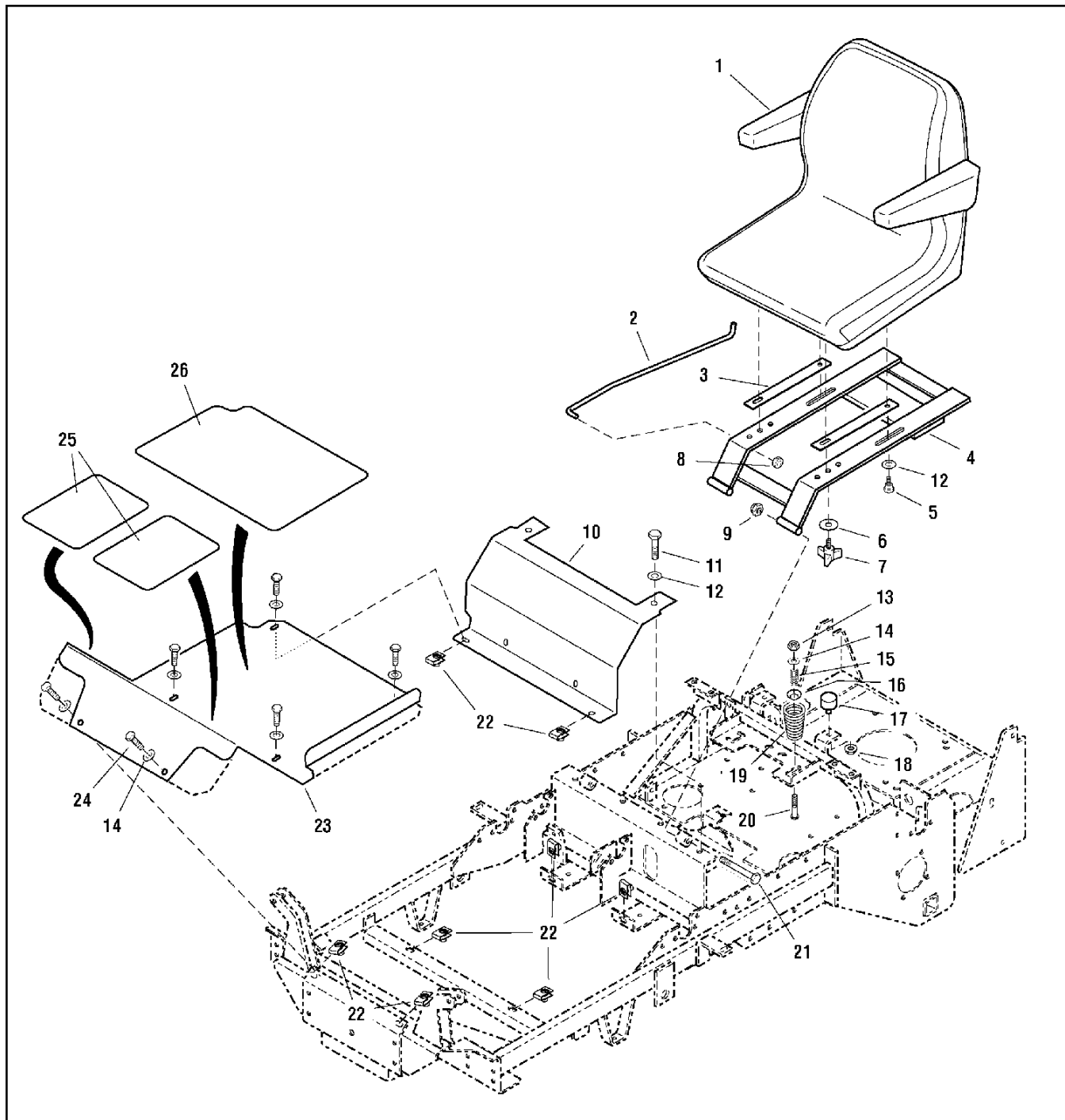
Bumper Shield Group



Bumper Shield Group

Item	Part No	Qty	Description	Note
1	5048887D	1	TOP BUMPER	
2	5048257D	1	BUMPER SHIELD	
3	7091098	12	WASHER, SAE, 5/16	<i>Was 5025155</i>
4	5025011X6	4	CAPSCREW, Hex Head, 5/16-18 x 3/4	
5	5048249D	1	LOWER BUMPER	
6	5025011X10	6	CAPSCREW, Hex Head, 5/16-18 x 1-1/4	
7	5025127	12	NUT, Hex Serrated Flange, 5/16-18	
8	5025011X8	2	CAPSCREW, Hex Head, 5/16-18 x 1	

Footnotes:

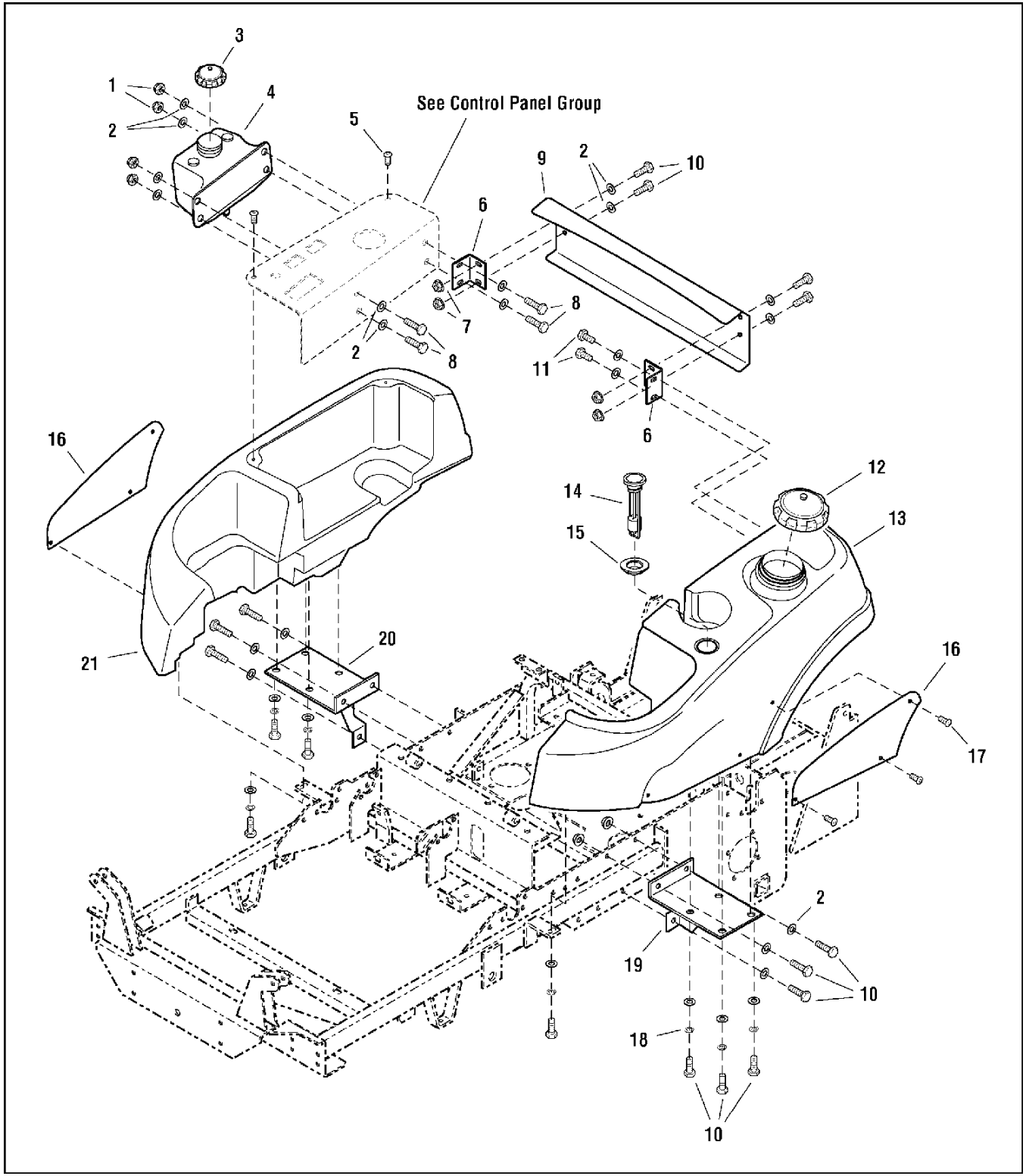


Seat Kickplate Floor Group

Item	Part No	Qty	Description	Note
1	5023184	1	SEAT	
2	5046470	1	SEAT STOP ROD	
3	4848365	2	PLATE, SEAT SLIDER	
4	4848117	1	SEAT MOUNT	
5	5025385	2	SHOULDER BOLT, 3/8 X 3/8	
6	7090692	2	WASHER, USS, 5/16	Was 5025337
7	1700669	2	KNOB	
8	5020047	1	COLLAR, SET, 5/16	
9	5025096	2	NUT, HEX NYLON LOCK, 3/8-16	
10	4848218	1	BRAKE COVER PLATE	
11	5025013X16	2	CAPSCREW, HEX HEAD, 3/8-16 X 2	
12	3025156	4	WASHER, SAE, 3/8	Was 5025156
13	7091298	2	NUT, HEX NYLON LOCK, 5/16-18	Was 5025057
14	7091098	8	WASHER, SAE, 5/16	Was 5025155
15	1714263	2	SPRING, COMPRESSION	
16	1729256	2	WASHER, SPRING, 5/16 X 1-1/4	
17	5022673	2	BUMPER	
18	5025126	2	NUT, HEX SERRATED FLANGE, 1/4-20	
19	1717051	2	SPRING, COMPRESSION	
20	1931339	2	CARRIAGE BOLT, 5/16-18 X 2	
21	5025013X32	2	CAPSCREW, HEX HEAD, 3/8-16 X 4	
22	3022308	8	BODY CLIP, 5/16-18	Was 5022308
23	4848338	1	FLOOR PLATE	
24	5025011X6	8	CAPSCREW, HEX HEAD, 5/16-18 X 3/4	
25	5047139	2	SAFETY WALK	
26	5048964	1	SAFETY WALK	

Footnotes:

Fuel Tank Mount Group

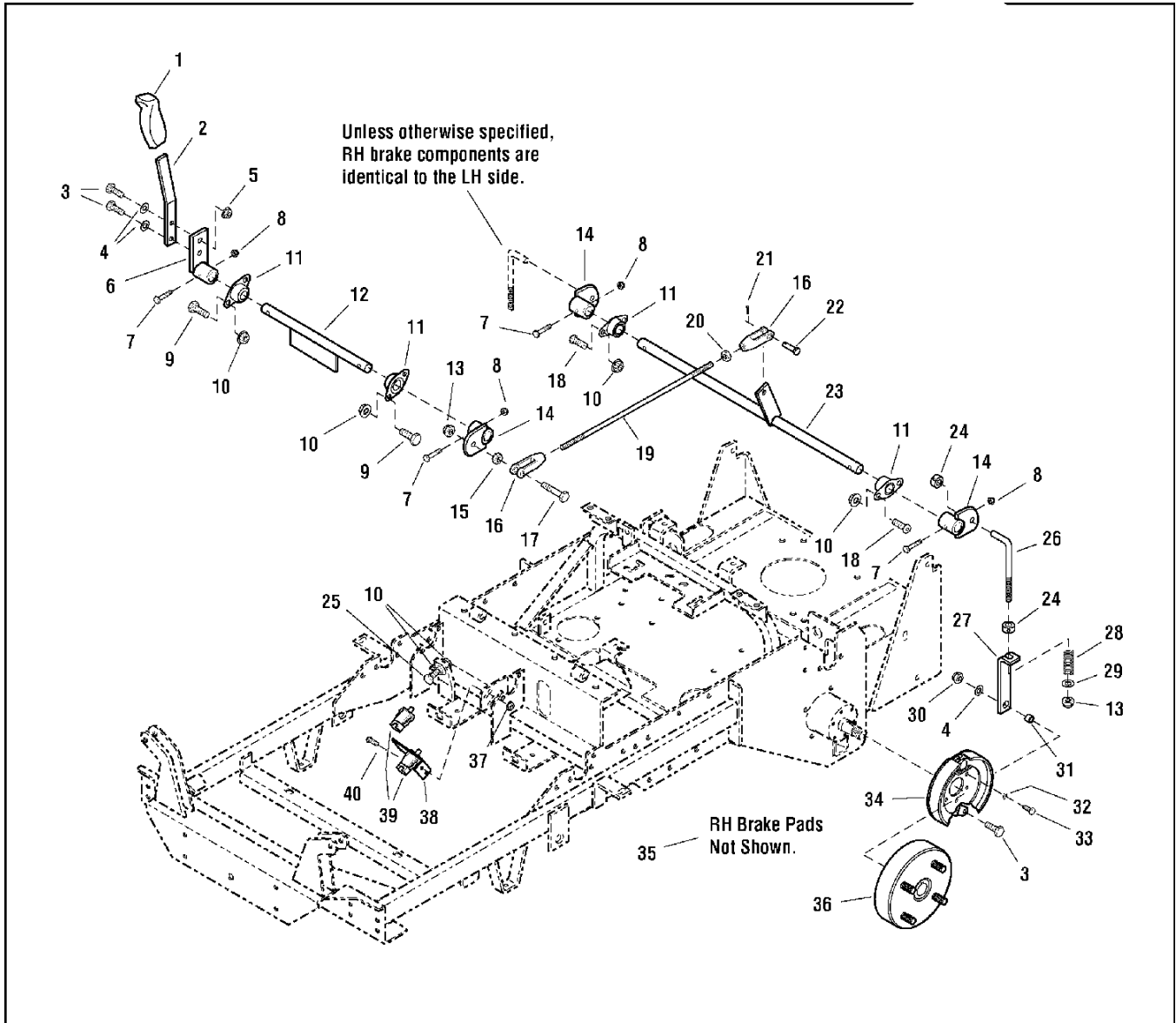


Fuel Tank Mount Group

Item	Part No	Qty	Description	Note
1	7091298	4	NUT, HEX NYLON LOCK, 5/16-18	Was 5025057
2	7091098	30	WASHER, SAE, 5/16	Was 5025155
3	5023191	1	CAP	
4	5023185	1	HYDRAULIC TANK	
5	5025299X4	2	CAPSCREW, BUTTON ALLEN HEAD, 1/4-20 x 3/4	
6	5048763D	2	REAR SUPPORT BRACKET	
7	5025139	10	NUT, HEX SERRATED FLANGE, 5/16-18	
8	5025011X8	4	CAPSCREW, HEX HEAD, 5/16-18 X 1	
9	5048765D	1	REAR TANK SUPPORT PLATE	
10	5025011X6	20	CAPSCREW, HEX HEAD, 5/16-18 X 3/4	
11	5025011X5	2	CAPSCREW, HEX HEAD, 5/16-18 X 5/8	
12	5022158	1	FUEL CAP	
13	5048751	1	FUEL TANK ASSEMBLY, LH	
	5023061	1	ELBOW FITTING	
	1654930	1	GROMMET	
	5050925X20	1	HOSE, 20"	
	5023069	2	HOSE CLAMP	
	5023067	1	SCREEN FITTING	
14	5023197	1	FUEL GAUGE	
15	5022917X1	1	GROMMET	
16	5048909D	2	TANK BADGE	
17	5025386	6	CAPSCREW, BUTTON ALLEN HEAD, #10-24 X 3/8	
18	5025170	10	WASHER, LOCK, 5/16	
19	5048704D	1	MOUNT, FUEL TANK, LH	
20	5048705D	1	MOUNT, FUEL TANK, RH	
21	5048752	1	FUEL TANK, RH	

Footnotes:

Parking Brake Group

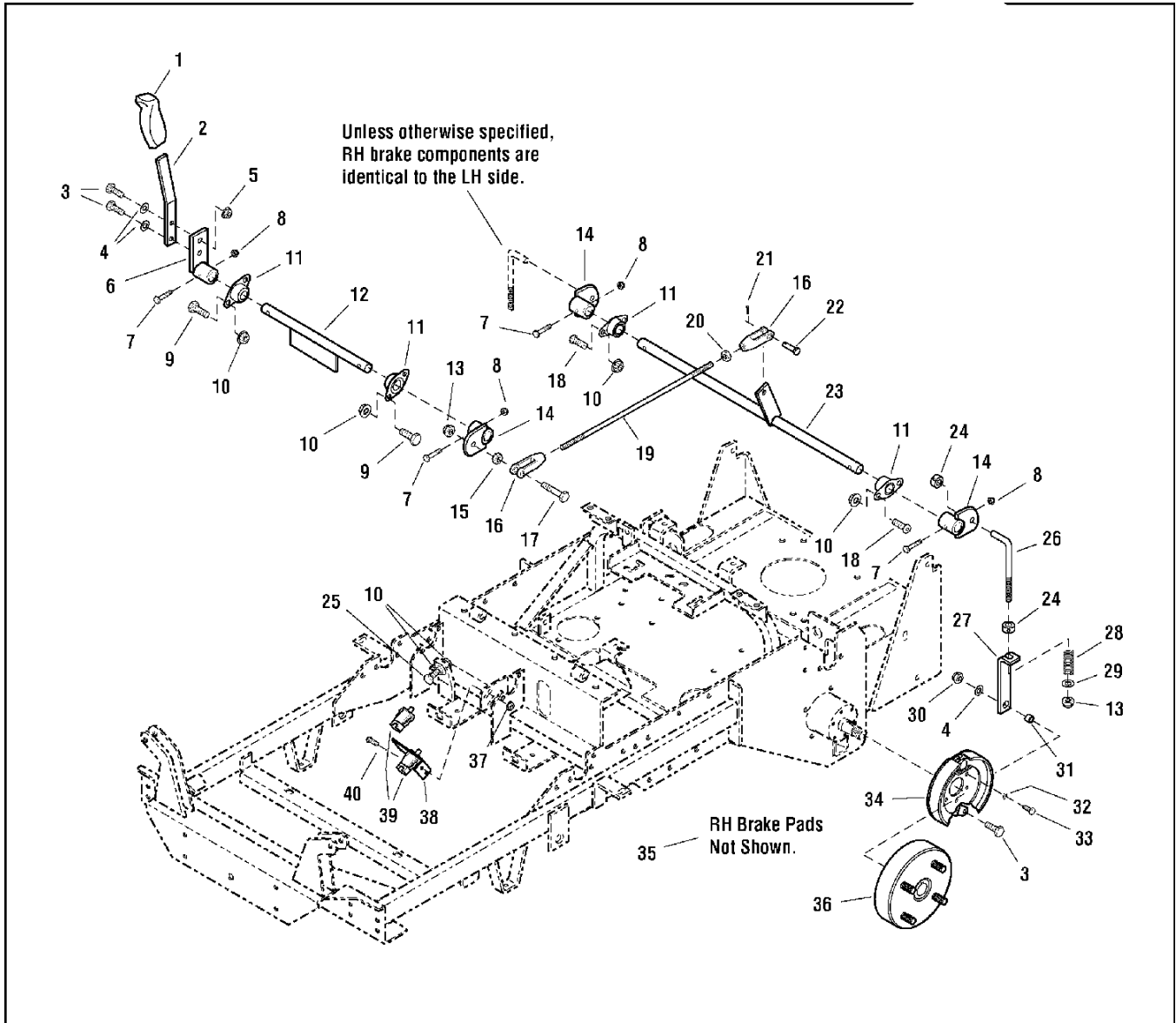


Parking Brake Group

Item	Part No	Qty	Description	Note
1	1722302	1	GRIP	
2	5045619D	1	BRAKE HANDLE	
3	5025011X8	4	CAPSCREW, HEX HEAD, 5/16-18 X 1	
4	7091098	4	WASHER, FLAT, 5/16	Was 5025155
5	5025139	2	NUT, HEX SERRATED FLANGE, 5/16-18	
6	5048401D	1	MOUNT, BRAKE HANDLE	
7	5025010X14	4	CAPSCREW, HEX HEAD, 1/4-20 X 1-3/4	
8	5025095	4	NUT, HEX NYLON LOCK, 1/4-20	
9	5025013X6	4	CAPSCREW, HEX HEAD, 3/8-16 X 3/4	
10	5025128	10	NUT, HEX SERRATED FLANGE, 3/8-16	
11	5021098	4	BEARING, FLANGE	
12	5048163D	1	BRAKE SHAFT, FRONT	
13	5025096	1	NUT, HEX NYLON LOCK, 3/8-16	
14	5045618D	3	BRAKE LINKAGE PIVOT	
15	5025034	1	NUT, HEX, 3/8-16	
16	5021171	2	CLEVIS, 3/8-24	
17	5025013X16	1	CAPSCREW, HEX HEAD, 3/8-16 X 2	
18	5025075X6	4	CAPSCREW, BUTTON ALLEN HEAD, 3/8-16 X 3/4	
19	5042553	1	ROD	
20	5025035	1	NUT, HEX, 3/8-24	
21	7091597	1	PIN, COTTER	Was 50252016
22	7029687	1	PIN, CLEVIS, 3/8 X 1	Was 50252148
23	5048166D	1	BRAKE SHAFT, REAR	
24	5010546	4	COLLAR, SET, 3/8	
25	5025058X14	1	CAPSCREW, HEX HEAD, TFL, 3/8-16 X 1-3/4	
26	5047091	2	ROD, BRAKE ADJSUTMENT	
27	5047084D	2	BRAKE LINK	
28	5022361	2	SPRING, COMPRESSION	
29	3025156	2	WASHER, FLAT, 3/8	Was 5025156
30	7091298	2	NUT, HEX NYLON LOCK, 5/16-18	Was 5025057
31	5041930	2	PIVOT SLEEVE	
32	5025169	12	WASHER, LOCK, 1/4	
33	5023215	12	CAPSCREW, HEX HEAD, M6 X 14MM	
34	5023188	1	BRAKE ASSEMBLY, LH	
35	5023106	1	BRAKE ASSEMBLY, RH (NOT SHOWN)	
36	5023094	2	BRAKE DRUM, 4 BOLT	
37	5025126	2	NUT, HEX SERRATED FLANGE, 1/4-20	

Footnotes:

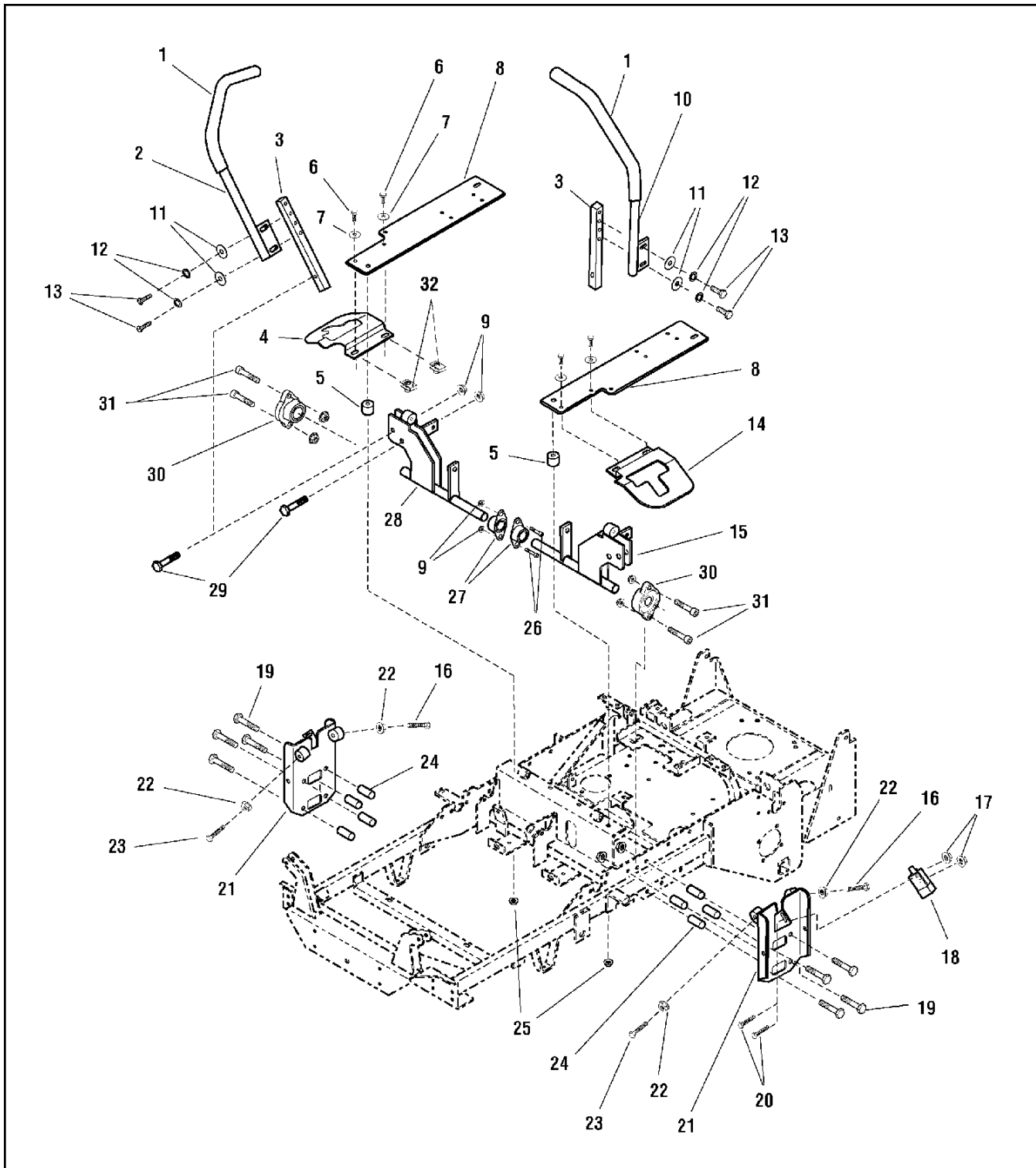
Parking Brake Group



Parking Brake Group

Item	Part No	Qty	Description	Note
38	5045621D	1	SWITCH MOUNT BRACKET	
39	5022182	2	SWITCH, PLUNGER, SNAP IN	
40	5025010X5	2	CAPSCREW, HEX HEAD, 1/4-20 X 5/8	

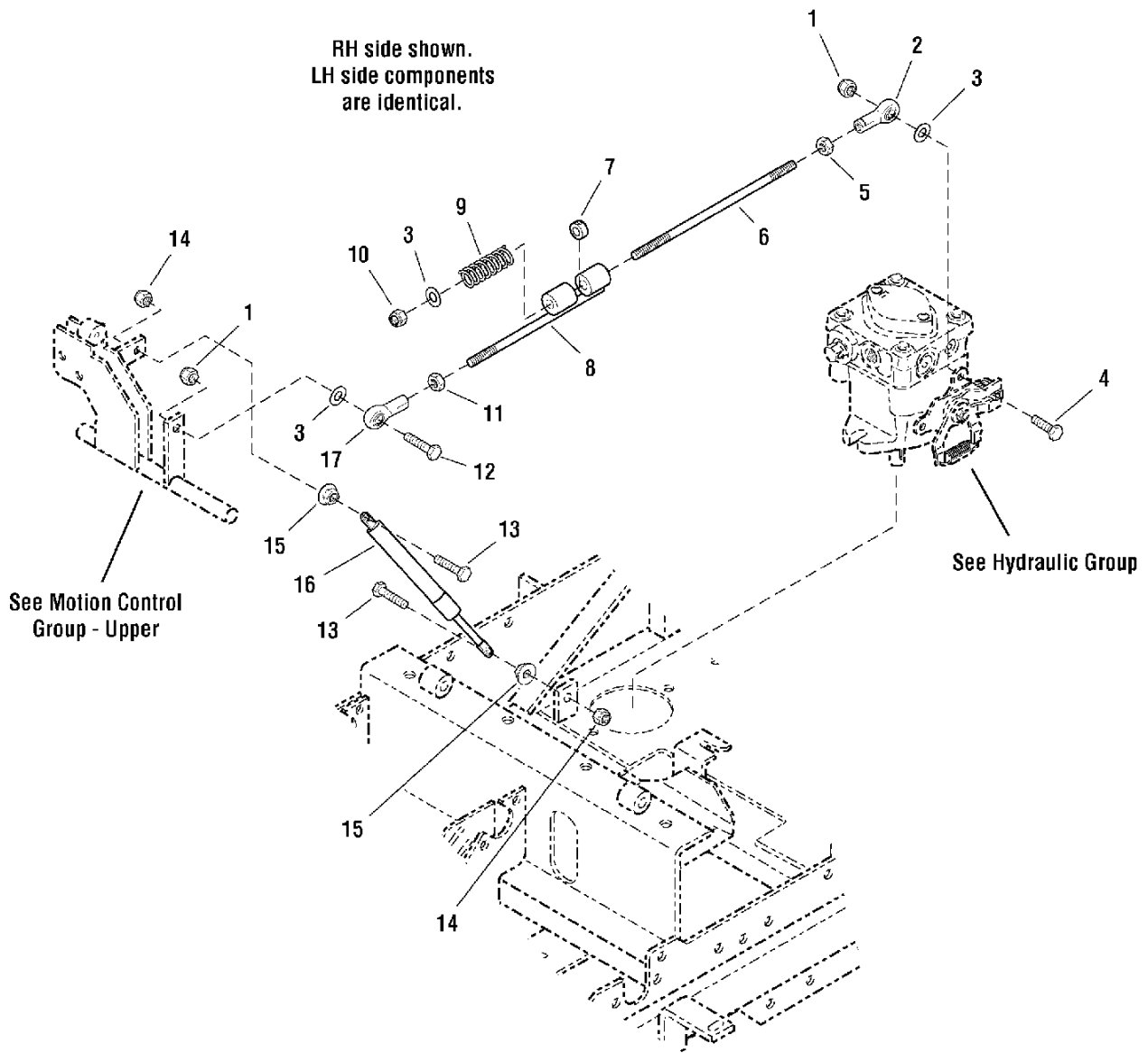
Footnotes:



Motion Controls Group - Upper

Item	Part No	Qty	Description	Note
1	5022068	2	FOAM GRIP	
2	5047056D	1	MOTION CONTROL LEVER - RH	
3	5047004	2	CONTROL LEVER BASE	
4	5048905D	1	NEUTRAL LOCK PLATE COVER, RH	
5	5047125	2	SPACER	
6	5025010X6	4	CAPSCREW, Hex Head, 1/4-20 X 3/4	
7	5025154	4	WASHER, SAE, 1/4	
8	5049333D	2	FAN SHIELD	
9	5025096	10	NUT, HEX NYLON LOCK, 3/8-16	
10	5047055D	1	MOTION CONTROL LEVER - LH	
11	7091098	4	WASHER, FLAT, 5/16	Was 5025155
12	5025170	4	LOCK WASHER, 5/16	
13	5025011X8	4	CAPSCREW, HEX HEAD, 5/16-18 X 1	
14	5048914D	1	NEUTRAL LOCK PLATE COVER, LH	
15	5048122D	1	WELD, CONTROL SHAFT LH	
16	5025055X16	4	CAPSCREW, HEX HEAD, TFL, 5/16-18 X 2	
17	5025079	4	NUT, HEX, #10-24	
18	5022095	2	SWITCH, NO/NC	
19	5025011X18	8	CAPSCREW, HEX HEAD, 5/16-18 X 2 1/4	
20	5025299X6	4	SCREW, #10-24	
21	5048169D	2	WELD, PLATE, NEUTRAL	
22	5025139	12	NUT, HEX SERRATED FLANGE, 5/16-18	
23	5025055X14	2	CAPSCREW, HEX HEAD, TFL, 5/16-18 X 1-3/4	
24	5048264	8	SPACER	Was 504848264
25	5025128	2	NUT, HEX, SERRATED FLANGE, 3/8-16	
26	5025013X8	2	CAPSCREW, 3/8-16 X 1	
27	5021098	2	BRONZE BEARING	
28	5048123D	1	WELD, CONTROL SHAFT RH	
29	5025013X14	4	CAPSCREW, HEX HEAD, 3/8-16 X 1 3/4	
30	5021499	2	FLANGE BEARING	
31	5025327	4	CAPSCREW, SOCKET HEAD, 3/8-16 X 1 1/4	
32	5022665	4	BODY CLIP, 1/4-20	

Footnotes:

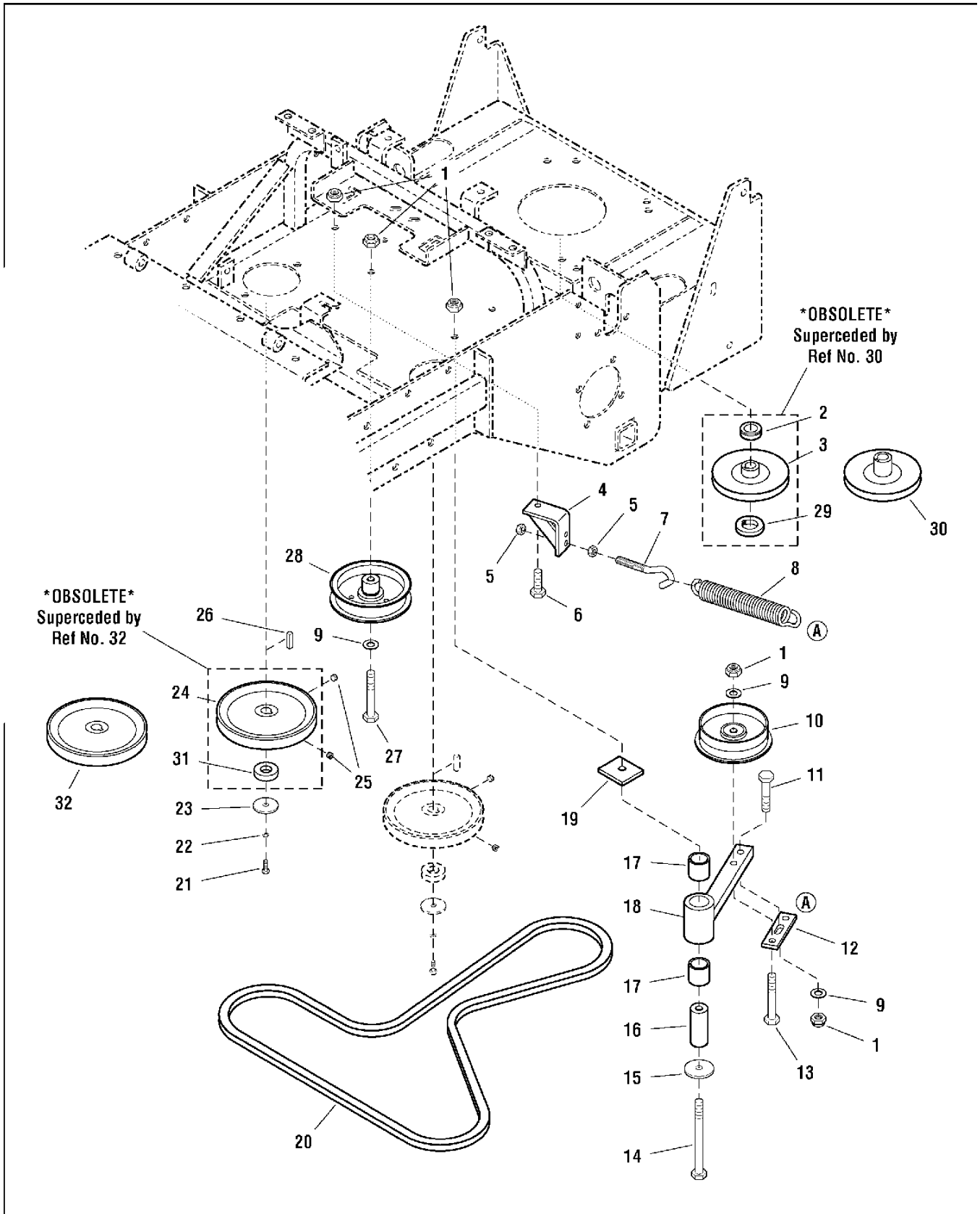


Motion Controls Group - Lower

Item	Part No	Qty	Description	Note
1	7091298	4	NUT, HEX NYLON LOCK, 5/16-18	<i>Was 5025057</i>
2	5022628	2	BALL JOINT, 5/16-24, LH	
3	7091098	6	WASHER, SAE, 5/16	<i>Was 5025155</i>
4	5025011X9	2	CAPSCREW, HEX HEAD, 5/16-18 X 1-1/8	
5	5023212	2	NUT, HEX, 5/16-24, LH	
6	5048921	2	SPRING CONTROL ROD	
7	5020047	2	COLLAR, SET, 5/16	
8	5048923	2	SLIDER ROD ASSEMBLY	
9	5023242	2	SPRING	
10	5025045	2	NUT, HEX NYLON LOCK, 5/16-24	
11	5025033	2	NUT, HEX, 5/16-24	
12	5025011X10	2	CAPSCREW, HEX HEAD, 5/16-18 X 1-1/4	
13	5025335	4	CAPSCREW, HEX HEAD, M8-1.25 X 35MM	
14	5025354	4	NUT, HEX NYLON LOCK, M8-1.25	
15	5025355	4	NUT, HEX SERRATED FLANGE, M8-1.25	
16	5022978	2	DAMPENER	
17	5021146	2	BALL JOINT, 5/16-24	

Footnotes:

Pump Drive Group



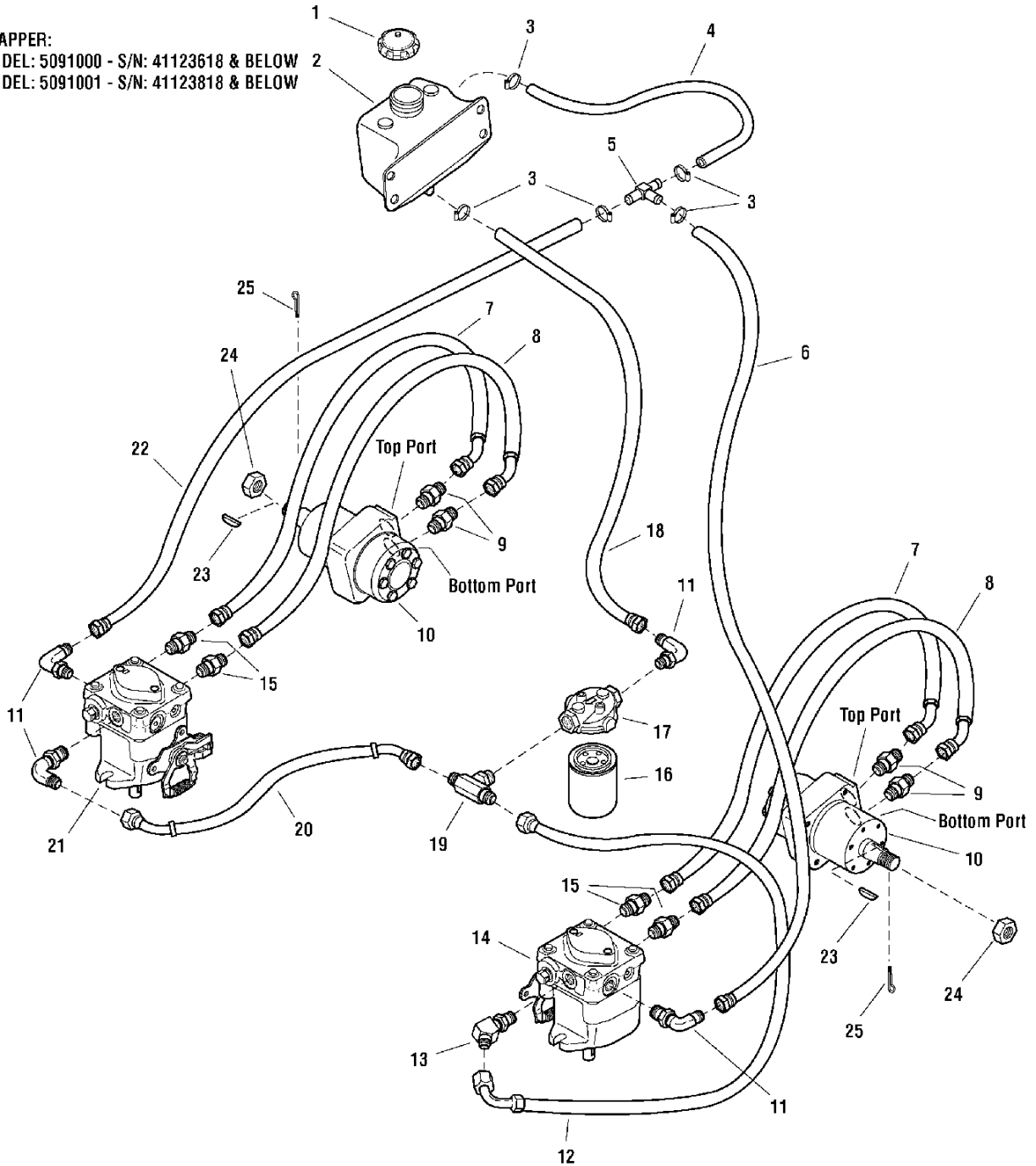
Pump Drive Group

Item	Part No	Qty	Description	Note
1	5025096	5	NUT, HEX NYLON LOCK, 3/8-16	
2	5049185	1	SPACER, 1.00 X 1.50 X .25	
3	5023112	1	PULLEY, PUMP DRIVE	
4	5045200D	1	EYEBOLT ANCHOR	
5	5025034	2	NUT, HEX, 3/8-16	
6	5025013X8	1	CAPSCREW, HEX HEAD, 3/8-16 X 1	
7	5025321	1	J-HOOK	
8	5022847	1	SPRING, EXTENSION, SWIVEL END	
9	3025156	3	WASHER, FLAT, 3/8	Was 5025156
10	5022621	1	PULLEY, IDLER, SINGLE FLANGE	
11	5025013X14	1	CAPSCREW, HEX HEAD, 3/8-16 X 1-3/4	
12	5048219D	1	SPRING ANCHOR PLATE	
13	5025013X20	1	CAPSCREW, HEX HEAD, 3/8-16 X 2-1/2	
14	5025013X32	1	CAPSCREW, HEX HEAD, 3/8-16 X 4	
15	5025305	1	WASHER, .41 X 1.75 X .14	
16	5045135	1	SHAFT, IDLER PIVOT	
17	5022157	2	BUSHING, BRASS	
18	5046430D	1	PUMP DRIVE IDLER ARM	
19	5045090	1	SPACER, IDLER PIVOT	
20	5022931	1	BELT	
21	5023215	4	CAPSCREW, HEX HEAD, M6 X 14MM	
22	5025169	2	WASHER, LOCK, 1/4	
23		2	* WASHER, 1-1/2 OD X .265 ID X .109 THICK	
24	5023111	2	PULLEY, PUMP DRIVE	
25	5025061X2	4	SET SCREW, 5/16-18 X 1/2	
26	5023254	2	KEY, 5MM SQ. W/ ROUND ENDS	
27	5025013X16	1	CAPSCREW, HEX HEAD, 3/8-16 X 2	
28	5049003	1	IDLER PULLEY ASSEMBLY	
29	5049182	1	SPACER, 1.00 X 1.75 X .25	
30	5023252	1	PULLEY, CRANKSHAFT	
31	5049183	2	SPACER, .59 X 1.50 X .25	
32	5023251	2	PULLEY, PUMP DRIVE	

Footnotes:

Note: * These items are not applicable to this unit.

SNAPPER:
MODEL: 5091000 - S/N: 41123618 & BELOW
MODEL: 5091001 - S/N: 41123818 & BELOW



Hydraulics Group Version 1

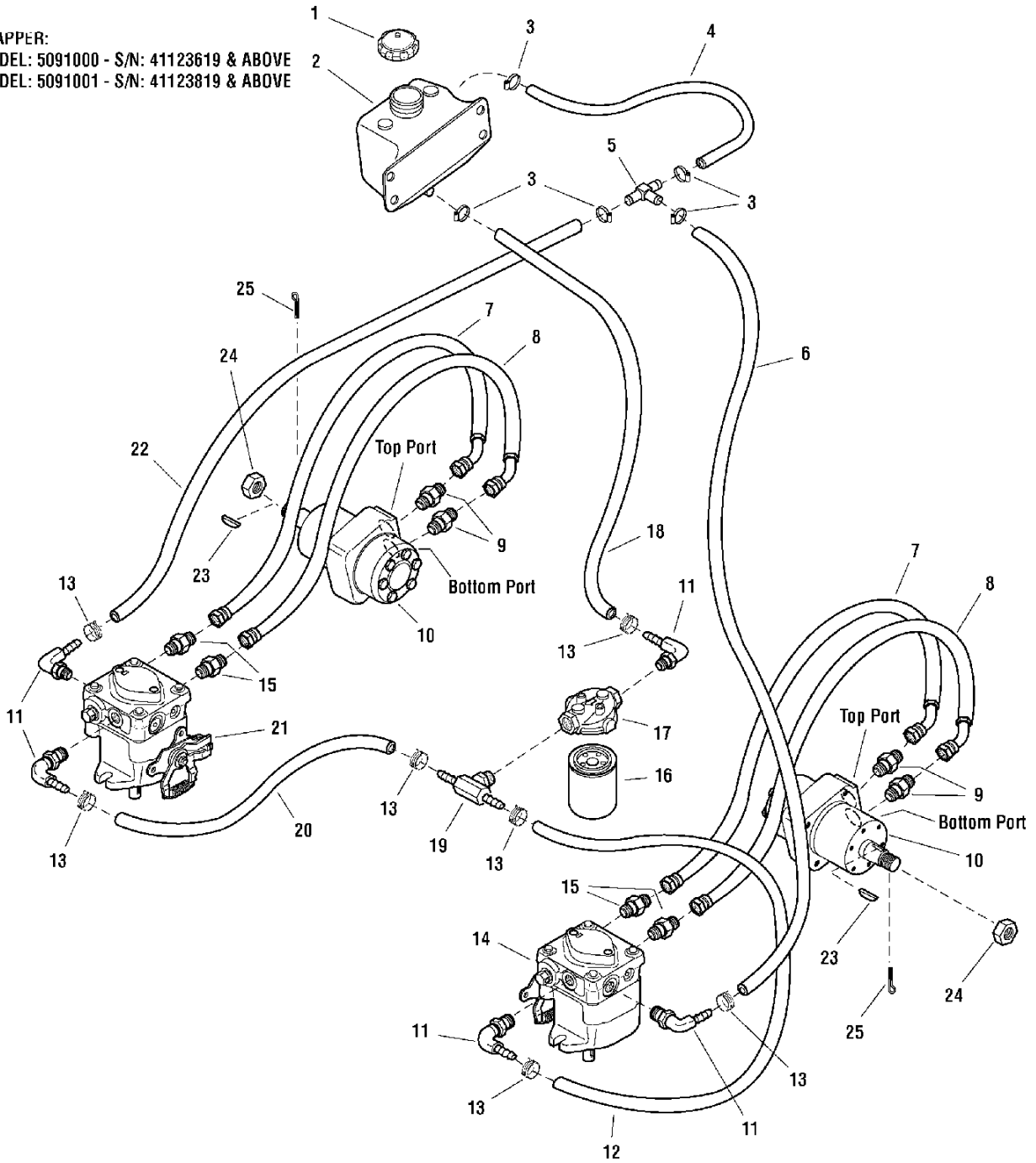
Item	Part No	Qty	Description	Note
1	5023191	1	CAP	
2	5023185	1	HYDRAULIC TANK	
3	5021392	5	CLAMP, #6 HOSE	
4	5050860X8.5	1	HOSE, 3/8 X 8-1/2" LONG	
5	5022920	1	TEE FITTING	
6	5048998	1	HOSE ASSEMBLY, 26" LONG	
7	5022710	2	HOSE ASSEMBLY, HI PRESS, 25-1/2"	
8	5023086	2	HOSE ASSEMBLY, HI PRESS, 29"	
9	5022634	4	FITTING, ADAPTER	
10	5023091	2	WHEEL MOTOR	
11	5022712	4	FITTING, 90 DEG. O-RING	
12	5048999	1	HOSE ASSEMBLY, 16-1/2" LONG	
13	5023087	1	FITTING, 45 DEG. O-RING	
14	5023092	1	HYDRAULIC PUMP, LH (PG1HQQ DW1X-XXXX)	
15	5022633	4	FITTING, ADAPTER	
16	1719168	1	FILTER	
17	5023096	1	FILTER HEAD	
18	5049001	1	HOSE ASSEMBLY, 11-3/4" LONG	
19	5023161	1	FITTING, TEE	
20	5049000	1	HOSE ASSEMBLY, 4-1/2" LONG	
21	5023093	1	HYDRAULIC PUMP, RH (PG1KQQ DW1X-XXXX)	
22	5049002	1	HOSE ASSEMBLY, 6" LONG	
23	5023091X1	2	KEY	
24	5023091X2	2	NUT, CASTLE	
25	5025203X10	2	PIN, COTTER, 1/8 X 1-1/4	

Footnotes:

SNAPPER:

MODEL: 5091000 - S/N: 41123619 & ABOVE

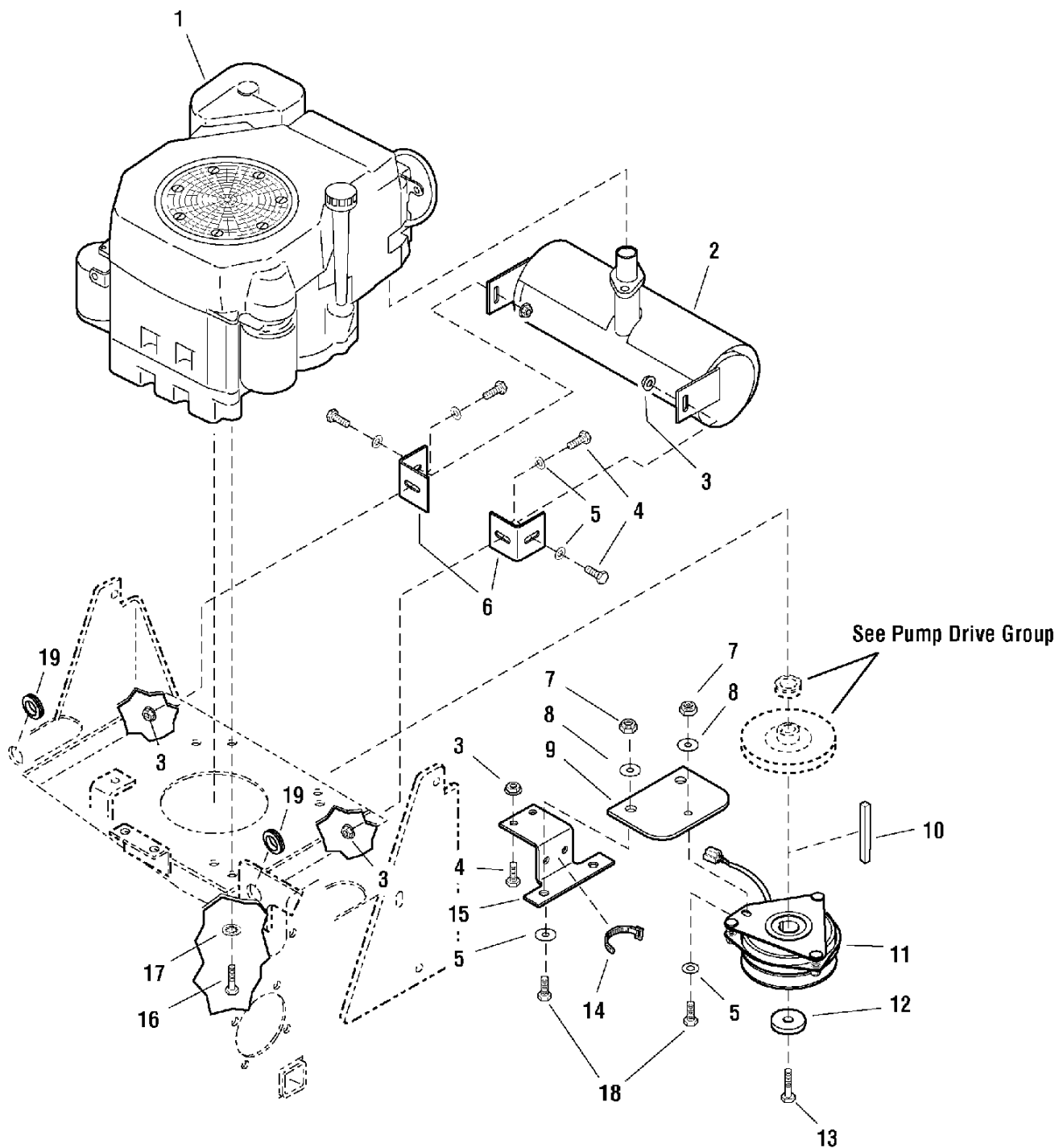
MODEL: 5091001 - S/N: 41123819 & ABOVE



Hydraulics Group Version 2

Item	Part No	Qty	Description	Note
1	5023191	1	CAP	
2	5023185	1	HYDRAULIC TANK	
3	5021392	5	CLAMP, #6 HOSE	
4	5050860X8.5	1	HOSE, 3/8 X 6-1/2" LONG	
5	5022920	1	TEE FITTING	
6	5050860X25	1	HOSE, 3/8 X 25-1/2" LONG	
7	5022710	2	HOSE ASSEMBLY, HI PRESS, 25-1/2"	
8	5023086	2	HOSE ASSEMBLY, HI PRESS, 29"	
9	5022634	4	FITTING, ADAPTER	
10	5023091	2	WHEEL MOTOR	
11	5023267	5	FITTING, 90 DEG. O-RING	
12	5050860X17	1	HOSE, 3/8 X 17" LONG	
13	5023268	7	CLAMP, HOSE	
14	5023092	1	HYDRAULIC PUMP, LH (PG1HQQ DW1X-XXXX)	
15	5022633	4	FITTING, ADAPTER	
16	1719168	1	FILTER	
17	5023096	1	FILTER HEAD	
18	5050860X13	1	HOSE, 3/8 X 13" LONG	
19	5023266	1	FITTING, TEE	
20	5050860X87	1	HOSE, 3/8 X 8-3/4" LONG	
21	5023093	1	HYDRAULIC PUMP, RH (PG1KQQ DW1X-XXXX)	
22	5050860X75	1	HOSE, 3/8 X 7-1/2" LONG	
23	5023091X1	2	KEY	
24	5023091X2	2	NUT, CASTLE	
25	5025203X10	2	PIN, COTTER, 1/8 X 1-1/4	

Footnotes:

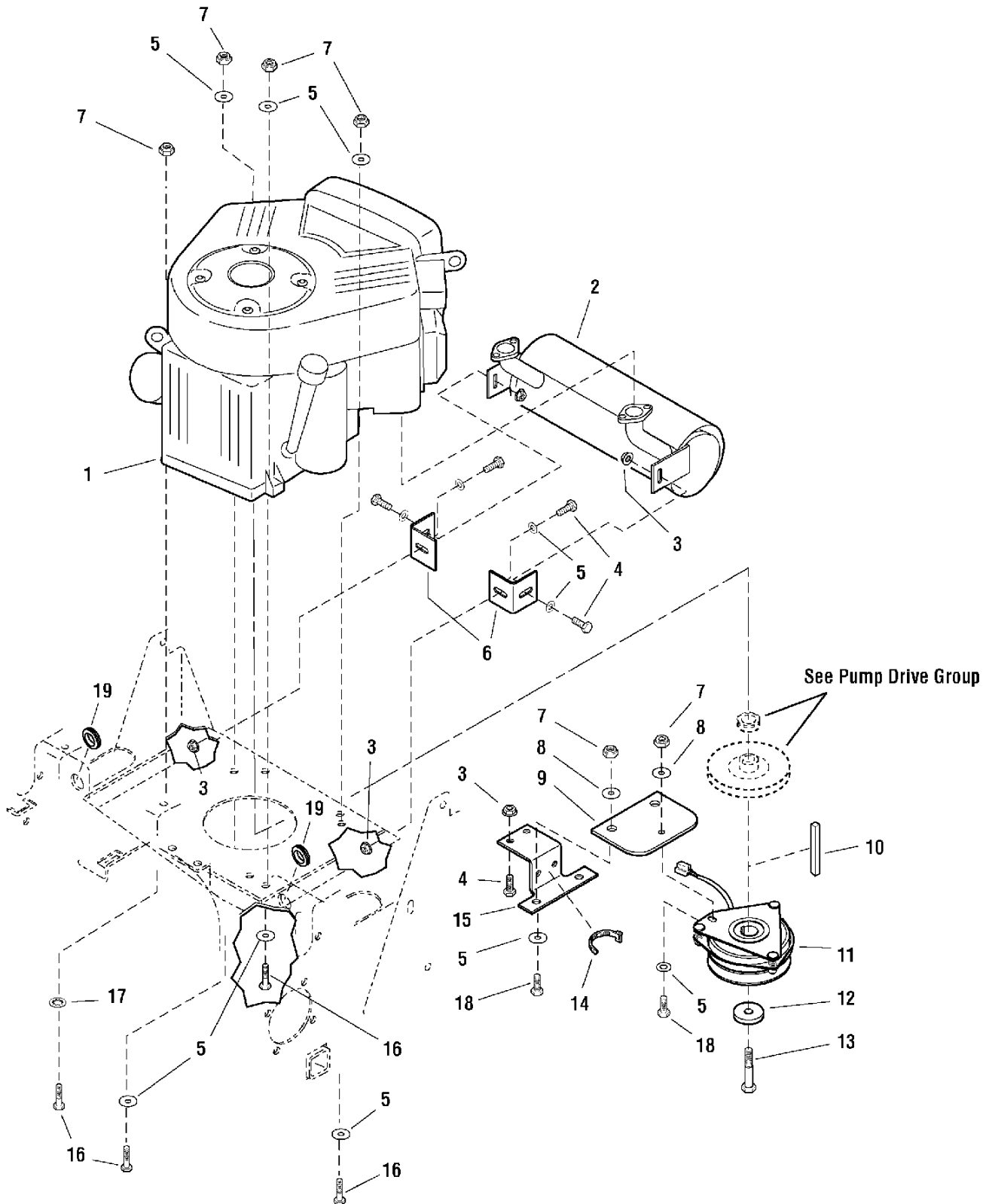


Engine & PTO Group - 18HP Kohler

Item	Part No	Qty	Description	Note
1		1	* ENGINE, 18 HP KOHLER	
2	5023186	1	MUFFLER	
3	5025139	6	NUT, HEX SERRATED FLANGE, 5/16-18	
4	5025011X6	9	CAPSCREW, HEX HEAD, 5/16-18 X 3/4	
5	7091098	5	WASHER, SAE, 5/16	Was 5025155
6	503848262	2	BRACKET, MUFFLER SUPPORT (ORANGE)	
6	504848262	2	BRACKET, MUFFLER SUPPORT (RED)	
7	7091298	3	NUT, HEX NYLON LOCK, 5/16-18	Was 5025057
8		5	WASHER, CLUTCH ANCHOR, 5/16	Not Applicable
9	5043636	1	CLUTCH ANCHOR PAD	
10	5050407X18	1	KEY, 1/4 SQ. X 2-1/4	
11	5023100	1	CLUTCH, ELECTRIC	
12	5042132	1	SPACER, .45 X 1.62 X .37	
13	5023253	1	CAPSCREW, CRANKSHAFT, 7/16 X 3-1/4	
14	5021030	1	TIE WRAP	
15	5048226C	1	CLUTCH ANCHOR (ORANGE)	
15	5048226D	1	CLUTCH ANCHOR (RED)	
16	5025353	4	BOLT, M8-1.25 X 30 MM	
17	5025188	4	WASHER, 5/16 INT TOOTH LOCK	
18	5025011X8	3	CAPSCREW, HEX HEAD, 5/16-18 X 1	
19	5023236	2	GROMMET, 3/4"	

Footnotes:

Note: * See your local Kohler engine dealer for service parts.



Engine & PTO Group - 20HP Briggs & Stratton

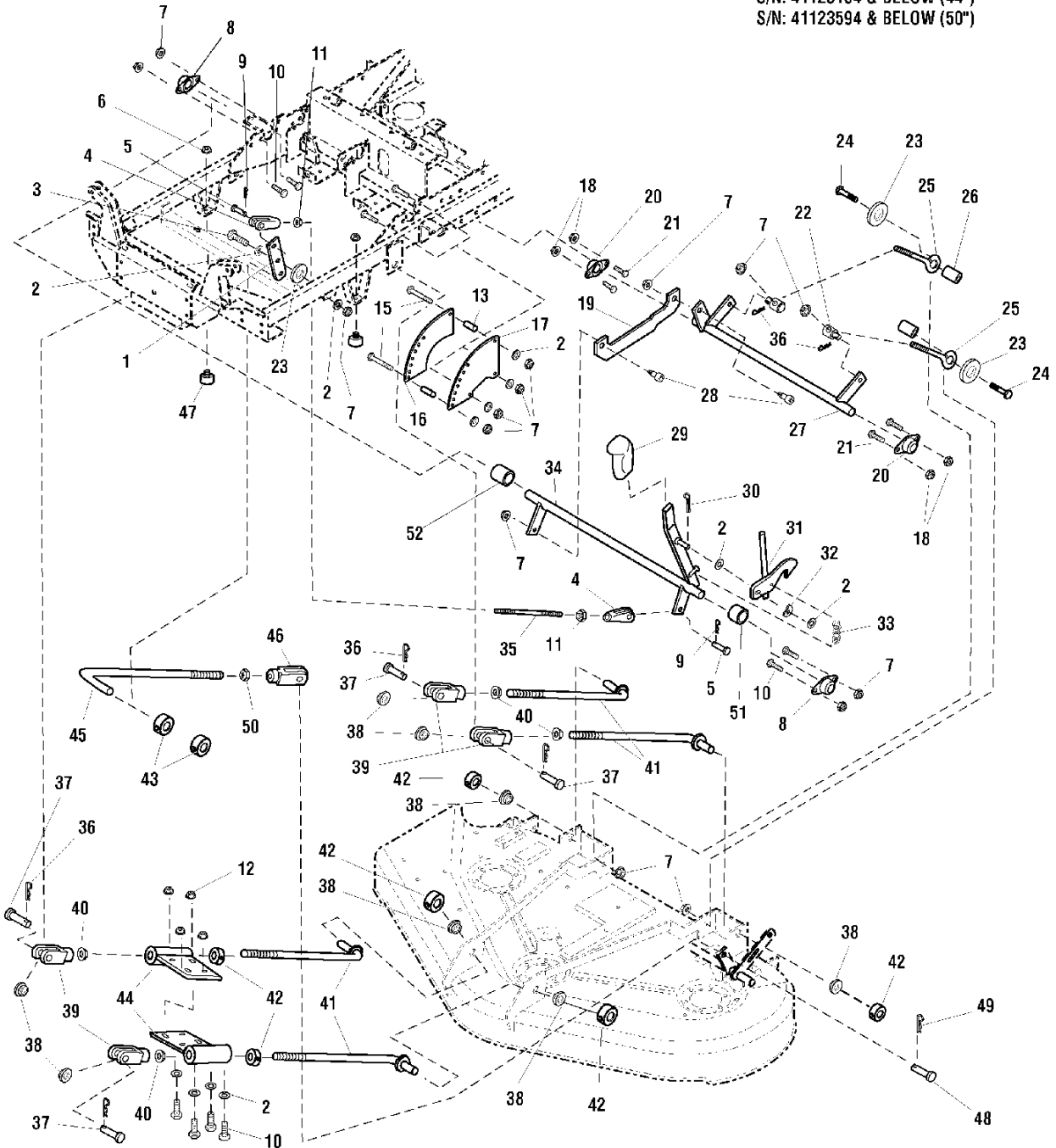
Item	Part No	Qty	Description	Note
1		1	* ENGINE, 20 HP BRIGGS	5023098
2	5023187	1	MUFFLER	
3	5025139	6	NUT, HEX SERRATED FLANGE, 5/16-18	
4	5025011X6	6	CAPSCREW, HEX HEAD, 5/16-18 X 3/4	
5	7091098	13	WASHER, SAE, 5/16	Was 5025155
6	503848262	2	BRACKET, MUFFLER SUPPORT (ORANGE)	
6	504848262	2	BRACKET, MUFFLER SUPPORT (RED)	
7	7091298	7	NUT, HEX NYLON LOCK, 5/16-18	Was 5025057
8		3	WASHER, CLUTCH ANCHOR, 5/16 (N/A)	
9	5043636	1	CLUTCH ANCHOR PAD	
10	5050407X18	1	KEY, 1/4 SQ. X 2-1/4	
11	5023100	1	CLUTCH, ELECTRIC	
12	5042132	1	SPACER, .45 X 1.62 X .37	
13	5023253	1	CAPSCREW, CRANKSHAFT, 7/16 X 3-1/4	
14	5021030	1	TIE WRAP	
15	5048226C	1	CLUTCH ANCHOR (ORANGE)	
15	5048226D	1	CLUTCH ANCHOR (RED)	
16	5025011X14	4	CAPSCREW, HEX HEAD, 5/16-18 X 1-3/4	
17	5025188	1	WASHER, 5/16 INT TOOTH LOCK	
18	5025011X8	3	CAPSCREW, HEX HEAD, 5/16-18 X 1	
19	5023236	2	GROMMET, 3/4"	

Footnotes:

Note: * See your local Briggs & Stratton engine dealer for service parts.

Deck Lift Group Version 1

SNAPPER:
S/N: 41123164 & BELOW (44")
S/N: 41123594 & BELOW (50")



Deck Lift Group Version 1

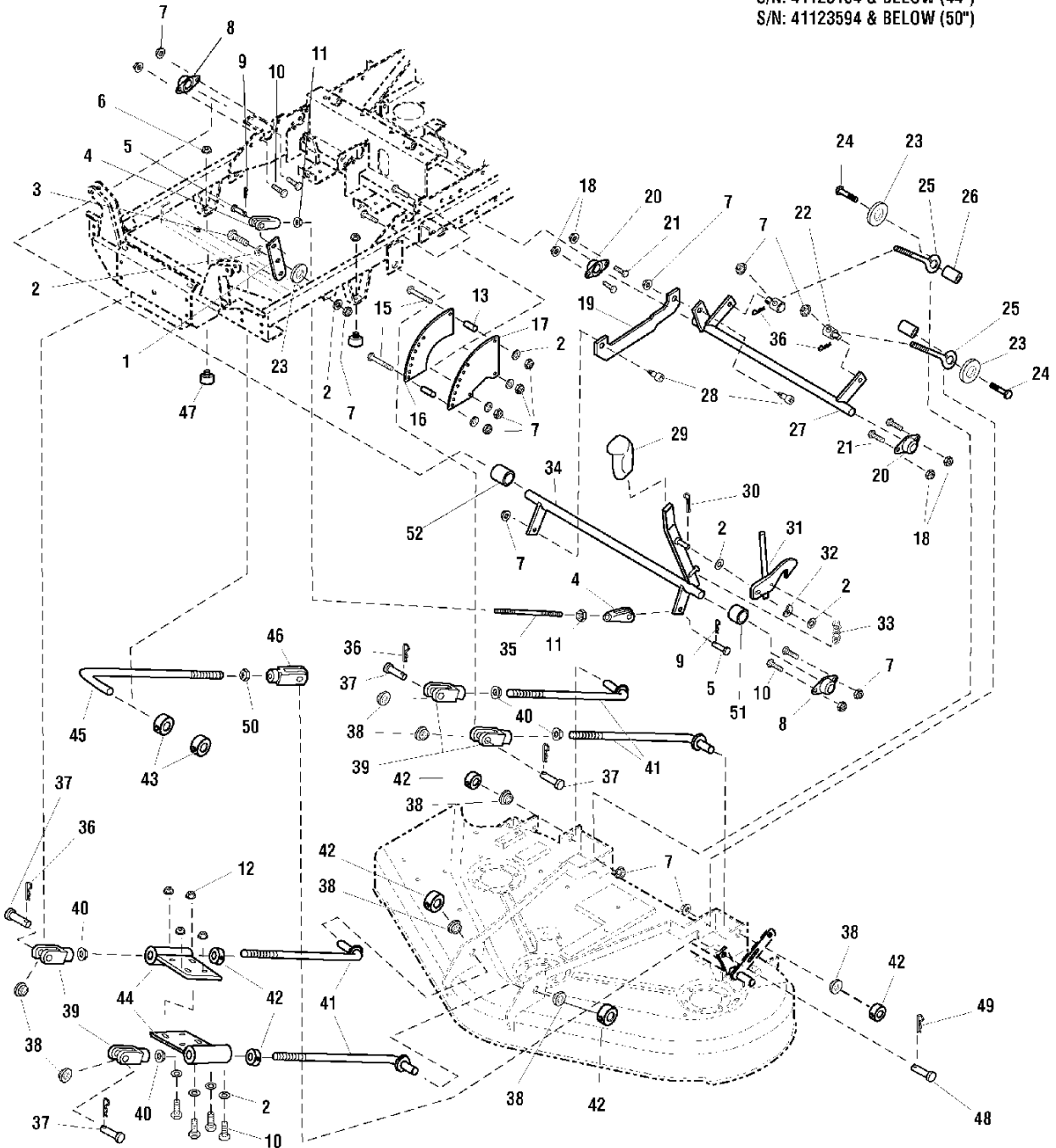
Item	Part No	Qty	Description	Note
1		1	* REVERSING LINK	
2	3025156	11	WASHER, 3/8, SAE	Was 5025156
3	5025013X12	1	CAPSCREW, HEX HEAD, 3/8-16 X 1-1/2	
4		2	* PLASTIC CLEVIS, 3/8-24	
5		2	* PIN, 3/8 DIA X 1"	
6	5025126	2	HEX NUT, SERRATED FLANGE, 1/4-20	
7	5025096	11	NUT, HEX NYLON LOCK, 3/8-16	
8	5021098	2	BRONZE FLANGE BEARING, 3/4"	
9		2	* COTTER PIN	
10	5025013X6	8	CAPSCREW, HEX HEAD, 3/8-16 X 3/4	
11		2	* JAM NUT, HEX, 3/8-24	
12	5025128	4	HEX NUT, SERRATED FLANGE, 3/8-16	
13	5048264	2	SPACER	
14	5023082	1	HITCH PIN ASSM, 1/2 X 3.50 (NOT SHOWN)	
15	5025013X20	2	CAPSCREW, HEX HEAD, 3/8-16 X 2-1/2	
16	5048750D	1	DECK HEIGHT PLATE, INNER	
17	5048744D	1	DECK HEIGHT PLATE, OUTER	
18	7091298	4	HEX NUT, NYLON LOC, 5/16-18	Was 5025057
19	5048733D	1	DECK LIFT LINK	
20	5021098	2	BRONZE FLANGE BUSHING	
21	5025011X6	4	CAPSCREW, HEX HEAD, 5/16-18 X 3/4	
22	5045947	2	ADJUSTER, BRAKE LINKAGE	
23	50235305	3	WASHER, 1-3/4 OD X .390 ID	Was 5045139009
24	5025013X18	2	CAPSCREW, HEX HEAD, 3/8-16 X 1-3/4	
25	5021812	2	EYE BOLT, 3/8-16	
26	5047125	2	SPACER	
27	5048711D	1	REAR DECK LIFT SHAFT	
28	5025356	2	BOLT, 1/2" X 3/8" SHOULDER	
29	5100171	1	HANDLE COVER	Was 5023198
30	5025202X12	1	COTTER PIN, 3/16 X 1-1/2	
31	5048884D	1	DECK LOCK	
32	5023202	1	SPRING WASHER, 3/8	
33	5020639	1	EXTENSION SPRING	
34	5048697D	1	DECK HEIGHT SHAFT	
35		1	* ROD, 3/8	
36	5025210	6	HAIRPIN	
37	5025328X12	4	PIN, CLEVIS, 1/2 X 1-1/2	

Footnotes:

Note: * These items are not applicable to this unit.

Deck Lift Group Version 1

SNAPPER:
S/N: 41123164 & BELOW (44")
S/N: 41123594 & BELOW (50")



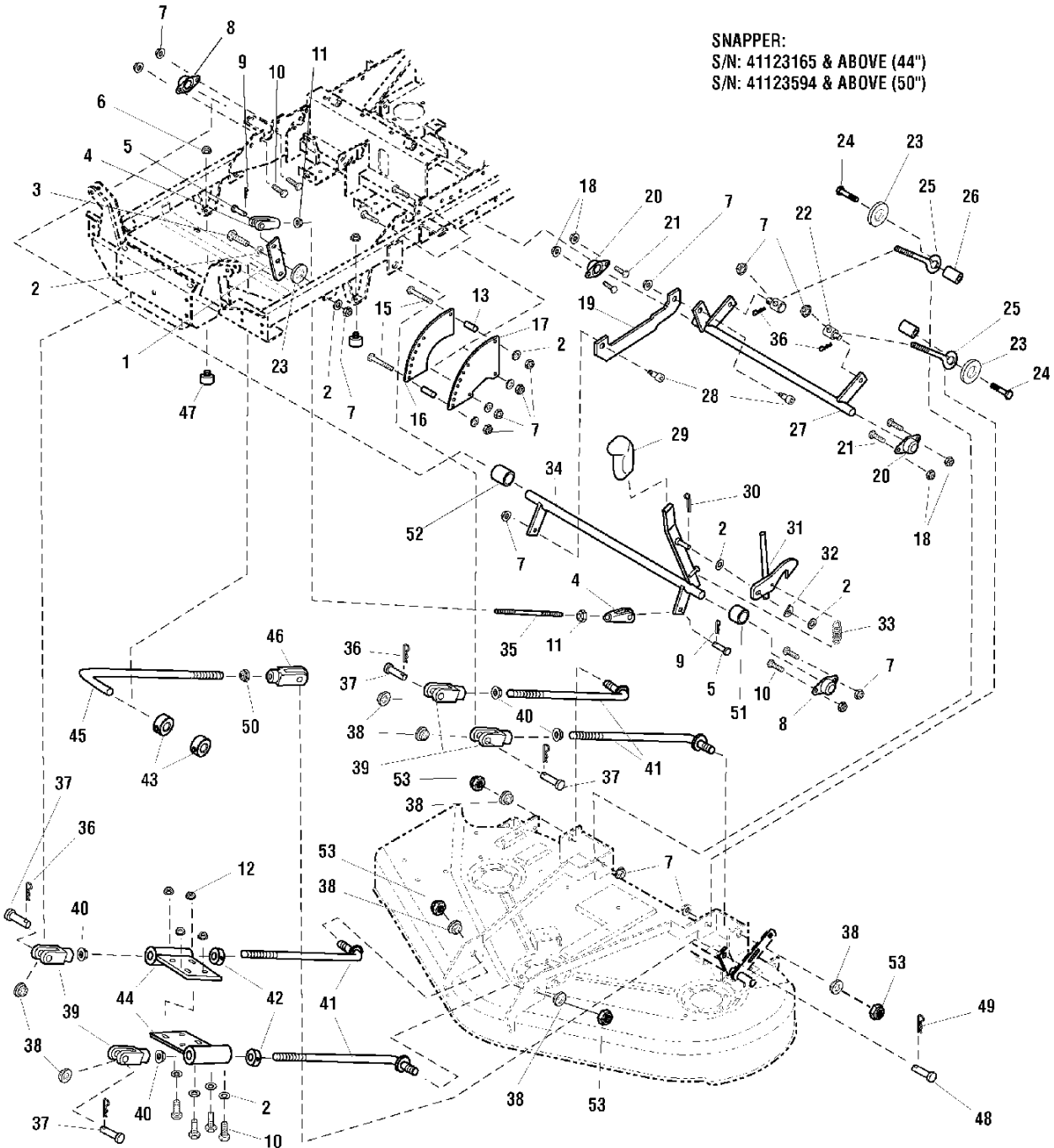
Deck Lift Group Version 1

Item	Part No	Qty	Description	Note
38	5048258	4	SUPPORT BUSHING	
39	5023174	4	CLEVIS, 1/2-20	
40	5025089	4	HEX JAM NUT, 1/2-20	
41	5049173	4	DECK HANGER ROD	Was 5048768
42	5023241	6	SPLIT COLLAR, 1/2"	
43		2	* SPLIT COLLAR, 1/2"	
44	5048902D	2	DECK STABILIZER	
45		1	* ROLLER CONNECTING ROD (44" DECK)	
		1	* ROLLER CONNECTING ROD (50" DECK)	
46		1	* CLEVIS, 1/2-20	
47	5022673	2	RUBBER BUMPER, 1/4-20	
48		1	* PIN, CLEVIS, 1/2 X 1-1/2	
49		1	* HAIRPIN	
50		1	* HEX JAM NUT, 1/2-20	
51	5046092	1	SPACER, .76 X 1.00 X .50	
52	5048335	1	SPACER, .76 X 1.00 X 1.00	

Footnotes:

Note: * These items are not applicable to this unit.

Deck Lift Group Version 2



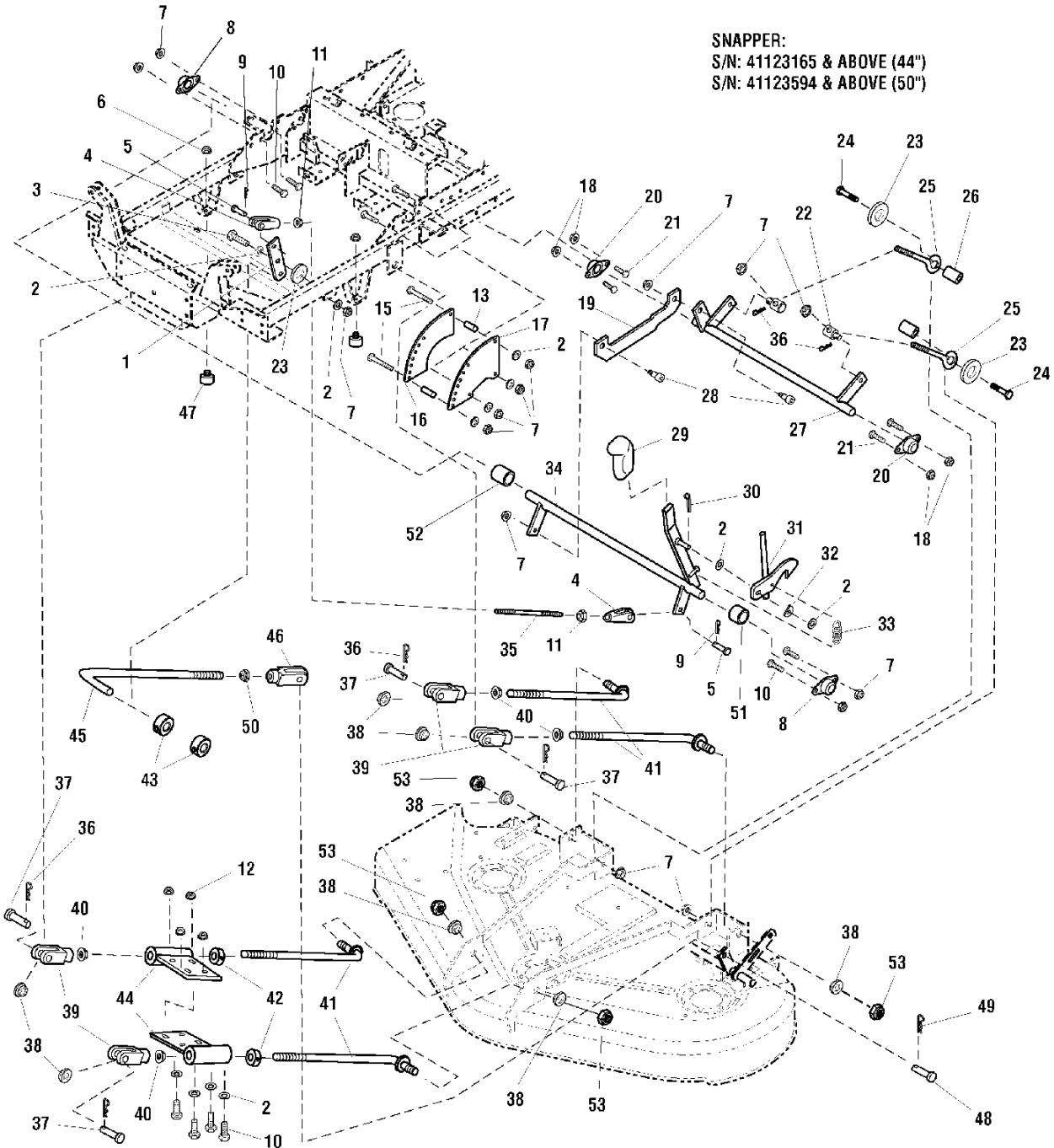
Deck Lift Group Version 2

Item	Part No	Qty	Description	Note
1		1	* REVERSING LINK	
2	3025156	11	WASHER, 3/8, SAE	Was 5025156
3	5025013X12	1	CAPSCREW, HEX HEAD, 3/8-16 X 1-1/2	
4		2	* PLASTIC CLEVIS, 3/8-24	
5		2	* PIN, 3/8 DIA X 1"	
6	5025126	2	HEX NUT, SERRATED FLANGE, 1/4-20	
7	5025096	11	NUT, HEX NYLON LOCK, 3/8-16	
8	5021098	2	BRONZE FLANGE BEARING, 3/4"	
9		2	* COTTER PIN	
10	5025013X6	8	CAPSCREW, HEX HEAD, 3/8-16 X 3/4	
11		2	* JAM NUT, HEX, 3/8-24	
12	5025128	4	HEX NUT, SERRATED FLANGE, 3/8-16	
13	5048264	2	SPACER	
14	5023082	1	HITCH PIN ASSM, 1/2 X 3.50 (NOT SHOWN)	
15	5025013X20	2	CAPSCREW, HEX HEAD, 3/8-16 X 2-1/2	
16	5048750D	1	DECK HEIGHT PLATE, INNER	
17	5048744D	1	DECK HEIGHT PLATE, OUTER	
18	7091298	4	HEX NUT, NYLON LOC, 5/16-18	Was 5025057
19	5048733D	1	DECK LIFT LINK	
20	5021098	2	BRONZE FLANGE BUSHING	
21	5025011X6	4	CAPSCREW, HEX HEAD, 5/16-18 X 3/4	
22	5045947	2	ADJUSTER, BRAKE LINKAGE	
23	50235305	3	WASHER, 1-3/4 OD X .390 ID	Was 5045139009
24	5025013X18	2	CAPSCREW, HEX HEAD, 3/8-16 X 1-3/4	
25	5021812	2	EYE BOLT, 3/8-16	
26	5047125	2	SPACER	
27	5048711D	1	REAR DECK LIFT SHAFT	
28	5025356	2	BOLT, 1/2" X 3/8" SHOULDER	
29	5100171	1	HANDLE COVER	Was 5023198
30	5025202X12	1	COTTER PIN, 3/16 X 1-1/2	
31	5048884D	1	DECK LOCK	
32	5023202	1	SPRING WASHER, 3/8	
33	5020639	1	EXTENSION SPRING	
34	5048697D	1	DECK HEIGHT SHAFT	
35		1	* ROD, 3/8	
36	5025210	6	HAIRPIN	
37	5025328X12	4	PIN, CLEVIS, 1/2 X 1-1/2	

Footnotes:

Note: * These items are not applicable to this unit.

Deck Lift Group Version 2



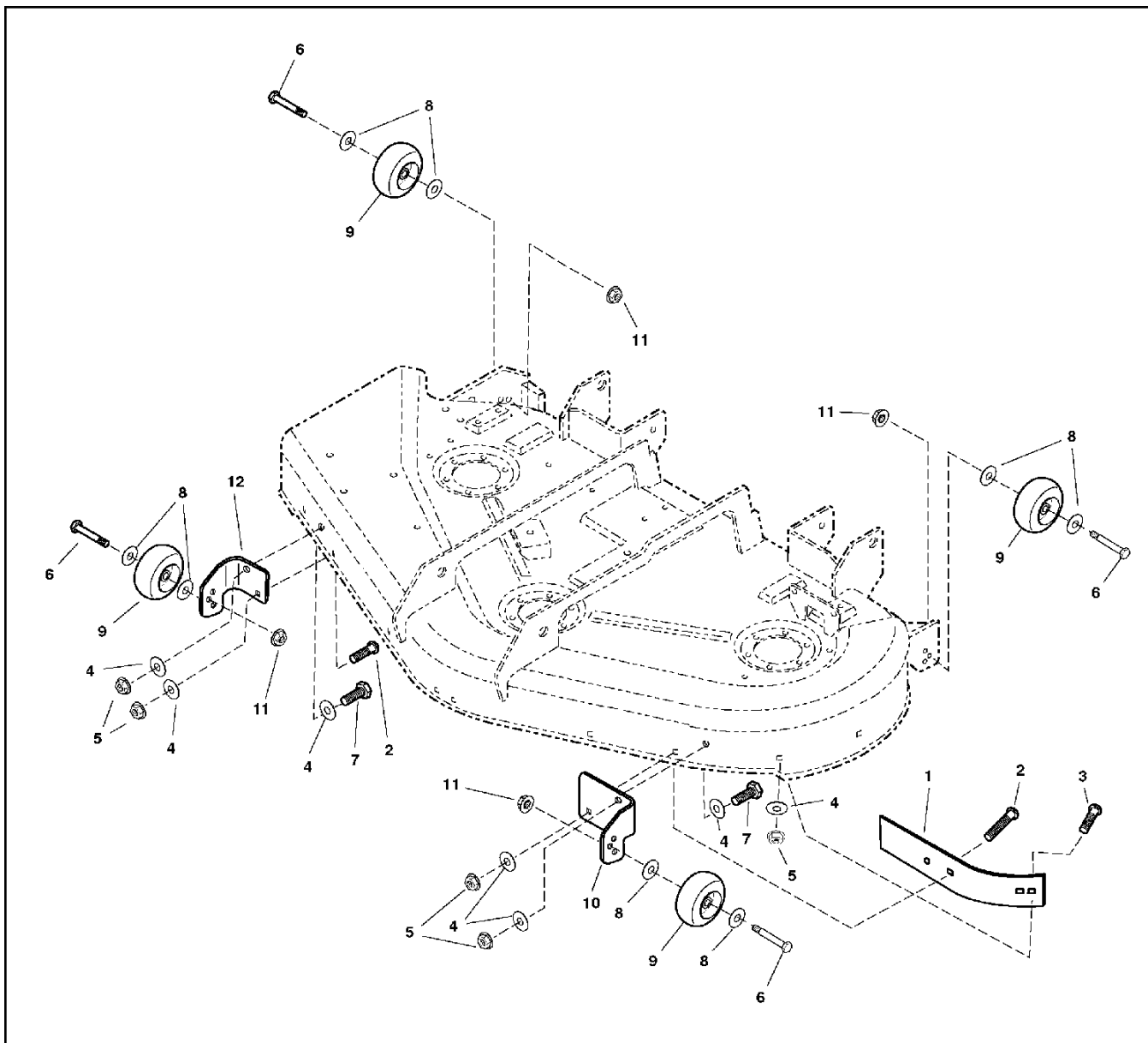
Deck Lift Group Version 2

Item	Part No	Qty	Description	Note
38	5048258	4	SUPPORT BUSHING	
39	5023174	4	CLEVIS, 1/2-20	
40	5025089	4	HEX JAM NUT, 1/2-20	
41	5049173	4	DECK HANGER ROD	
42	5023241	2	SPLIT COLLAR, 1/2"	
43		2	* SPLIT COLLAR, 1/2"	
44	5048902D	2	DECK STABILIZER	
45		1	* ROLLER CONNECTING ROD (44" DECK)	
		1	* ROLLER CONNECTING ROD (50" DECK)	
46		1	* CLEVIS, 1/2-20	
47	5022673	2	RUBBER BUMPER, 1/4-20	
48		1	* PIN, CLEVIS, 1/2 X 1-1/2	
49		1	* HAIRPIN	
50		1	* HEX JAM NUT, 1/2-20	
51	5046092	1	SPACER, .76 X 1.00 X .50	
52	5048335	1	SPACER, .76 X 1.00 X 1.00	
53	5025098	4	NUT, HEX NYLON LOCK, 1/2-20	

Footnotes:

Note: * These items are not applicable to this unit.

44" Mower Deck - Caster Mount Group

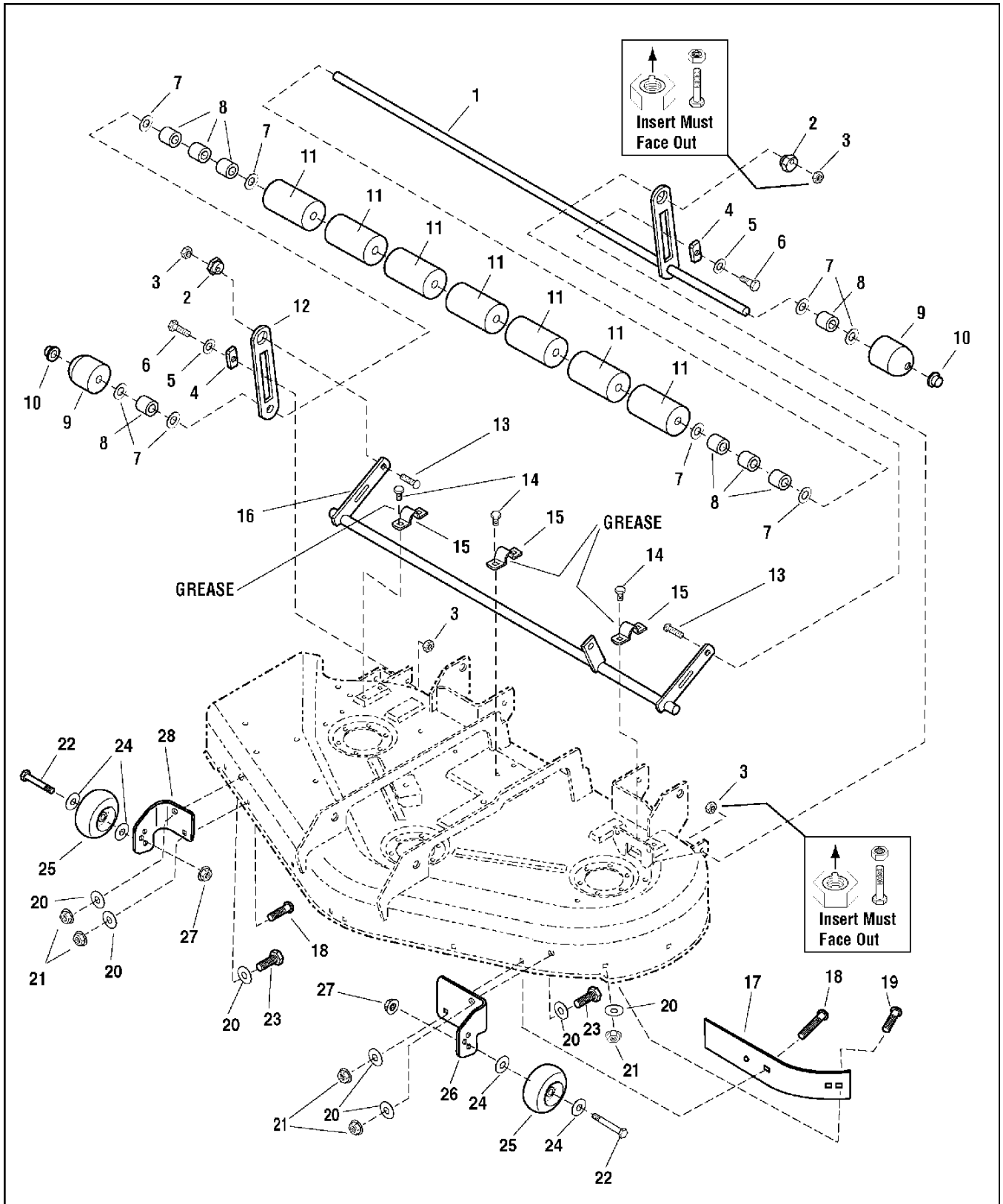


44" Mower Deck - Caster Mount Group

Item	Part No	Qty	Description	Note
1	1724538A	1	SHORT BLOWOUT BAFFLE	
2	5025145X8	2	CARRIAGE BOLT, 5/16-18 X 1	
3	5025145X6	1	CARRIAGE BOLT, 5/16-18 X 3/4	
4	7091098	7	WASHER, 5/16, PLAIN, SAE	Was 5025155
5	7091298	5	NUT, 5/16-18, HEX, NYLON LOCK	Was 5025057
6	2108765	4	BOLT, REAR WHEEL	
7	5025011X8	2	CAPSCREW, HEX HEAD, 5/16-18 X 1	
8	1960027	8	WASHER	
9	1714760	4	GAUGE, WHEEL	
10	5049017D	1	BRACKET, GAUGE WHEEL, LH	
11	1930645	4	NUT, FLANGE, SIDELOCK, 3/8-16	
12	5049018D	1	BRACKET, GAUGE WHEEL, RH	

Footnotes:

44" Mower Deck - Roller Bar Group

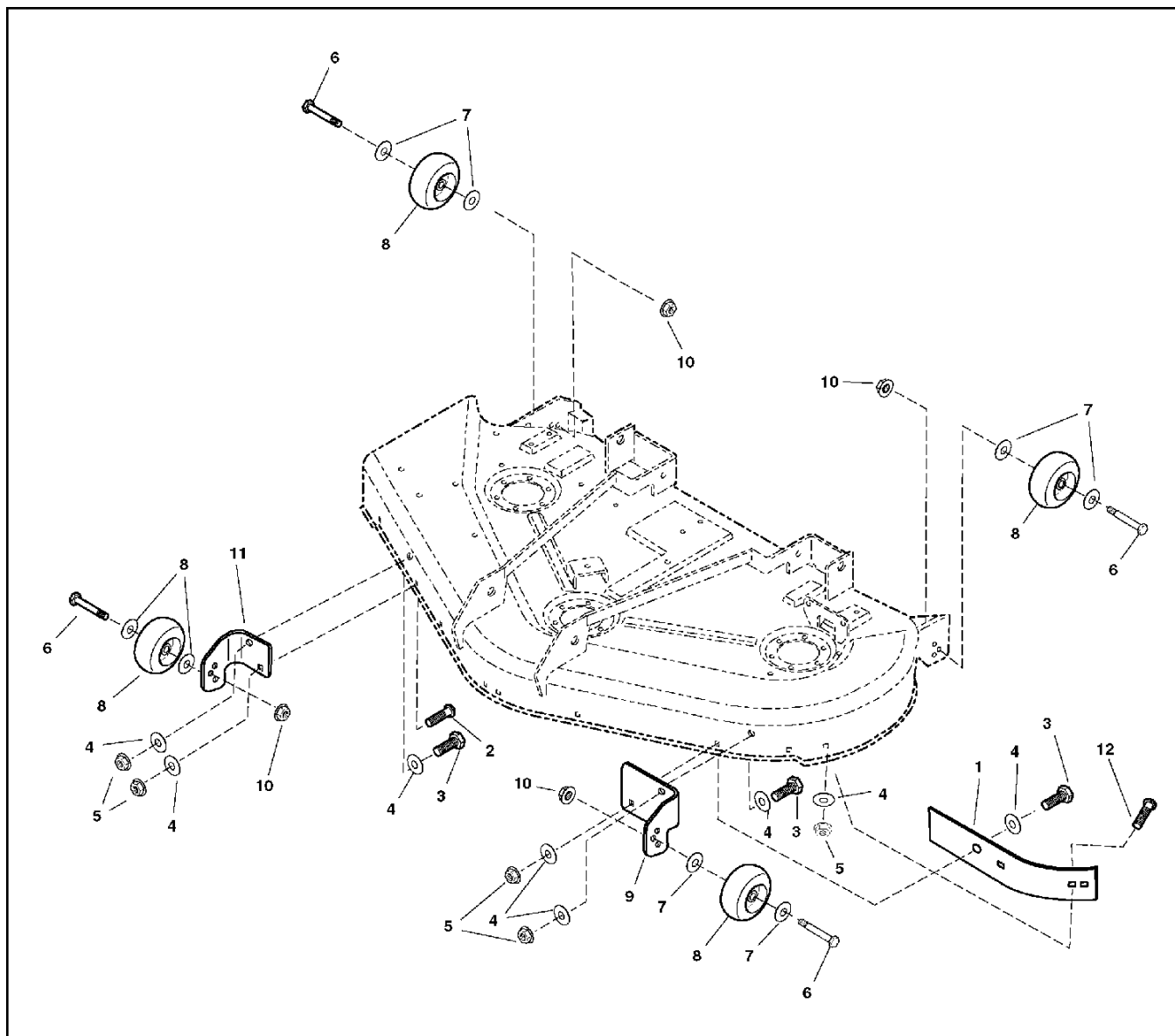


44" Mower Deck - Roller Bar Group

Item	Part No	Qty	Description	Note
1	5048676C	1	SHAFT, ROLLER, 44"	
2	1704082	2	NUT, ADJUSTER	
3	7960641	4	NUT, HEX ALUMINUM INSERT LOCK, 3/8-16	
4	1677507	2	SLIDE	
5	7091587	2	WASHER, PLAIN, 1/2	Was 1924361
6	2172622	2	BOLT, SHOULDER, 3/8-16	
7	1924366	8	WASHER, .661 ID X 1.12 OD X .11, BLACK	
8	1602946	8	SPACER, 25/64 X 13/16 X 13/16, STEEL, BLACK	
9	1717675	2	ROLLER, ROUNDED	
10	1960520	2	NUT, PUSH	
11	1668513	7	ROLLER	
12	503849040	1	BAR, ROLLER	
13	1931352	2	CARRIAGE BOLT, 3/8-16 X 1-1/2	
14	7091541	6	CAPSCREW, HEX HEAD TAPTITE, 5/16-18 X 3/4	Was 1664847
15	1665374A	3	STRAP	
16	5048672C	1	SHAFT, DECK LIFT, 44"	
17	1724538A	1	SHORT BLOWOUT BAFFLE	
18	5025145X8	2	CARRIAGE BOLT, 5/16-18 X 1	
19	5025145X6	1	CARRIAGE BOLT, 5/16-18 X 3/4	
20	7091098	7	WASHER, 5/16, PLAIN, SAE	Was 5025155
21	7091298	5	NUT, 5/16-18, HEX, NYLON LOCK	Was 5025057
22	2108765	2	BOLT, REAR WHEEL	
23	5025011X8	2	CAPSCREW, HEX HEAD, 5/16-18 X 1	
24	1960027	4	WASHER	
25	1714760	2	GAUGE WHEEL	
26	5049017C	1	BRACKET, GAUGE WHEEL, LH	
27	1930645	2	NUT, FLANGE, SIDELOCK, 3/8-16	
28	5049018C	1	BRACKET, GAUGE WHEEL, RH	

Footnotes:

50" Mower Deck - Caster Mount Group

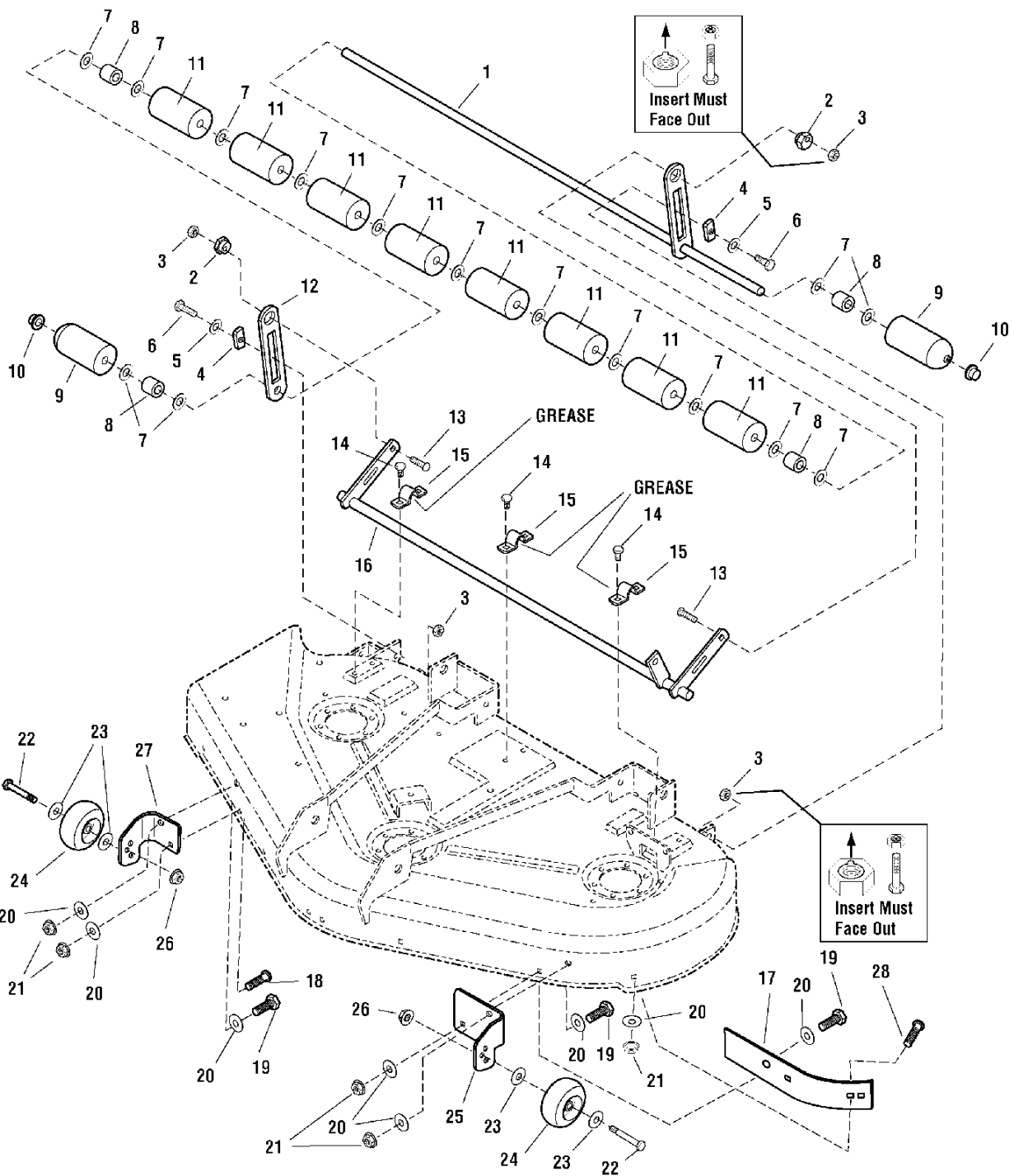


50" Mower Deck - Caster Mount Group

Item	Part No	Qty	Description	Note
1	1724538A	1	SHORT BLOWOUT BAFFLE	
2	5025145X8	1	CARRIAGE BOLT, 5/16-18 X 1	
3	5025011X8	3	CAPSCREW, HEX HEAD,5/16-18 X 1	
4	7091098	8	WASHER, 5/16, PLAIN, SAE	Was 5025155
5	7091298	5	NUT, 5/16-18, HEX, NYLON LOCK	Was 5025057
6	2108765	4	BOLT, REAR WHEEL	
7	1960027	8	WASHER	
8	1714760	4	GAUGE, WHEEL	
9	5049017D	1	BRACKET, GAUGE WHEEL, LH	
10	1930645	4	NUT, FLANGE, SIDELOCK, 3/8-16	
11	5049018D	1	BRACKET, GAUGE WHEEL, RH	
12	5025145X6	1	CARRIAGE BOLT, 5/16-18 X 3/4	

Footnotes:

50" Mower Deck - Roller Bar Group

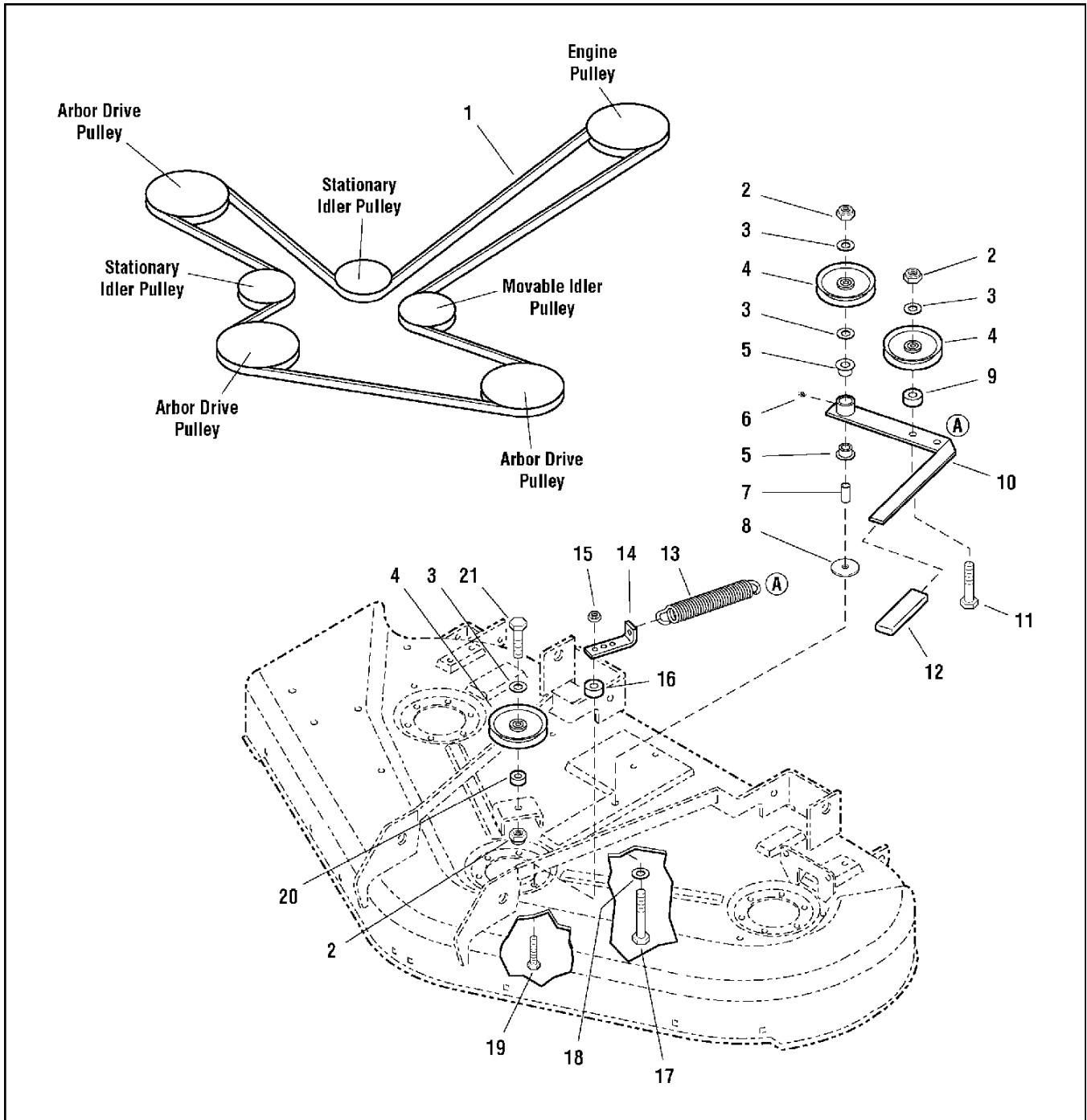


50" Mower Deck - Roller Bar Group

Item	Part No	Qty	Description	Note
1	5048746C	1	SHAFT, ROLLER, 50"	
2	1704082	2	NUT, ADJUSTER	
3	7960641	4	NUT, HEX ALUMINUM INSERT LOCK, 3/8-16	
4	1677507	2	SLIDE	
5	7091587	2	WASHER, PLAIN, 1/2	Was 1924361
6	2172622	2	BOLT, SHOULDER, 3/8-16	
7	1924366	15	WASHER, .661 ID X 1.12 OD X .11, BLACK	
8	1709195	8	SPACER-0.666 ID X 0.876OD X 1.25 LG SPLIT BLK	
9	1722036	2	ROLLER, ROUNDED	
10	1960520	2	NUT, PUSH	
11	1668513	8	ROLLER	
12	503849040	1	BAR, ROLLER	
13	1931352	2	CARRIAGE BOLT, 3/8-16 X 1-1/2	
14	7091541	6	CAPSCREW, HEX HEAD TAPTITE, 5/16-18 X 3/4	Was 1664847
15	1665374A	3	STRAP	
16	3848674	1	SHAFT, DECK LIFT, 50"	
17	1724538A	1	SHORT BLOWOUT BAFFLE	
18	5025145X8	1	CARRIAGE BOLT, 5/16-18 X 1	
19	5025011X8	3	CAPSCREW, HEX HEAD, 5/16-18 X 1	
20	7091098	8	WASHER, 5/16, PLAIN, SAE	Was 5025155
21	7091298	5	NUT, 5/16-18, HEX, NYLON LOCK	Was 5025057
22	2108765	2	BOLT, REAR WHEEL	
23	1960027	4	WASHER	
24	1714760	2	GAUGE, WHEEL	
25	5049017C	1	BRACKET, GAUGE WHEEL, LH	
26	1930645	2	NUT, FLANGE, SIDELOCK, 3/8-16	
27	5049018C	1	BRACKET, GAUGE WHEEL, RH	
28	5025145X6	1	CARRIAGE BOLT, 5/16-18 X 3/4	

Footnotes:

44" & 50" Mower Deck - Belt & Idler Group

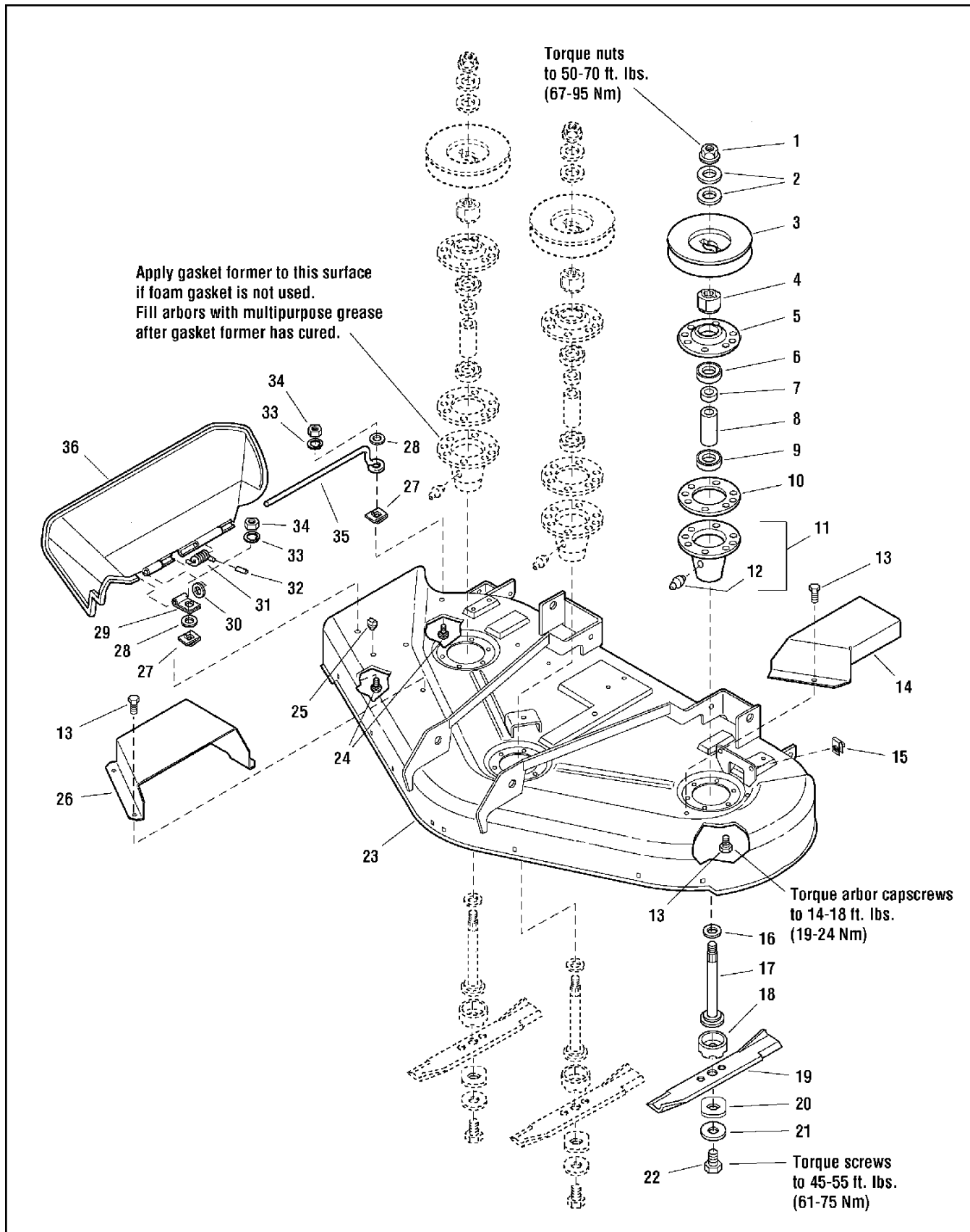


44" & 50" Mower Deck - Belt & Idler Group

Item	Part No	Qty	Description	Note
1	5023256	1	BELT (FOR 44" DECKS)	
1	5023255	1	BELT (FOR 50" DECKS)	
2	5025096	3	NUT, HEX NYLON LOCK, 3/8-16	
3	3025156	4	WASHER, FLAT, 3/8	Was 5025156
4	1724387	3	PULLEY, IDLER	
5	1676148	2	BUSHING, 5/8 X 3/4 X 13/32, POWDER METAL	
6	5020095	1	FITTING, GREASE	
7	1674669	1	SPACER	
8	50235305	1	WASHER, RETAINING	Was 5045139
9	5047125	1	SPACER, 3/8 X 1 X 7/8	
10	5600051D	1	IDLER ARM	Was 5048341D, includes items 5 & 6
11	5025013X18	1	CAPSCREW, HEX HEAD, 3/8-16 X 2-1/4	
12	5025510	1	GRIP, FOAM	
13	1715435	1	SPRING	
14	5048383D	1	SPRING ANCHOR	
15	7091298	1	NUT, HEX NYLON LOCK, 5/16-18	Was 5025057
16	5045023	1	SPACER, 1/2 X 1 X 7/16	
17	5025013X22	1	CAPSCREW, HEX HEAD, 3/8-16 X 2-3/4	
18	1924356	1	WASHER	
19	5025055X12	1	CAPSCREW, HEX HEAD, TFL, 5/16-18 X 1-1/2	
20		1	SPACER (N/A)	
21	5025013X14	1	CAPSCREW, HEX HEAD, 3/8-16 X 1-3/4	

Footnotes:

44" & 50" Mower Deck - Housing, Arbors & Blades Group

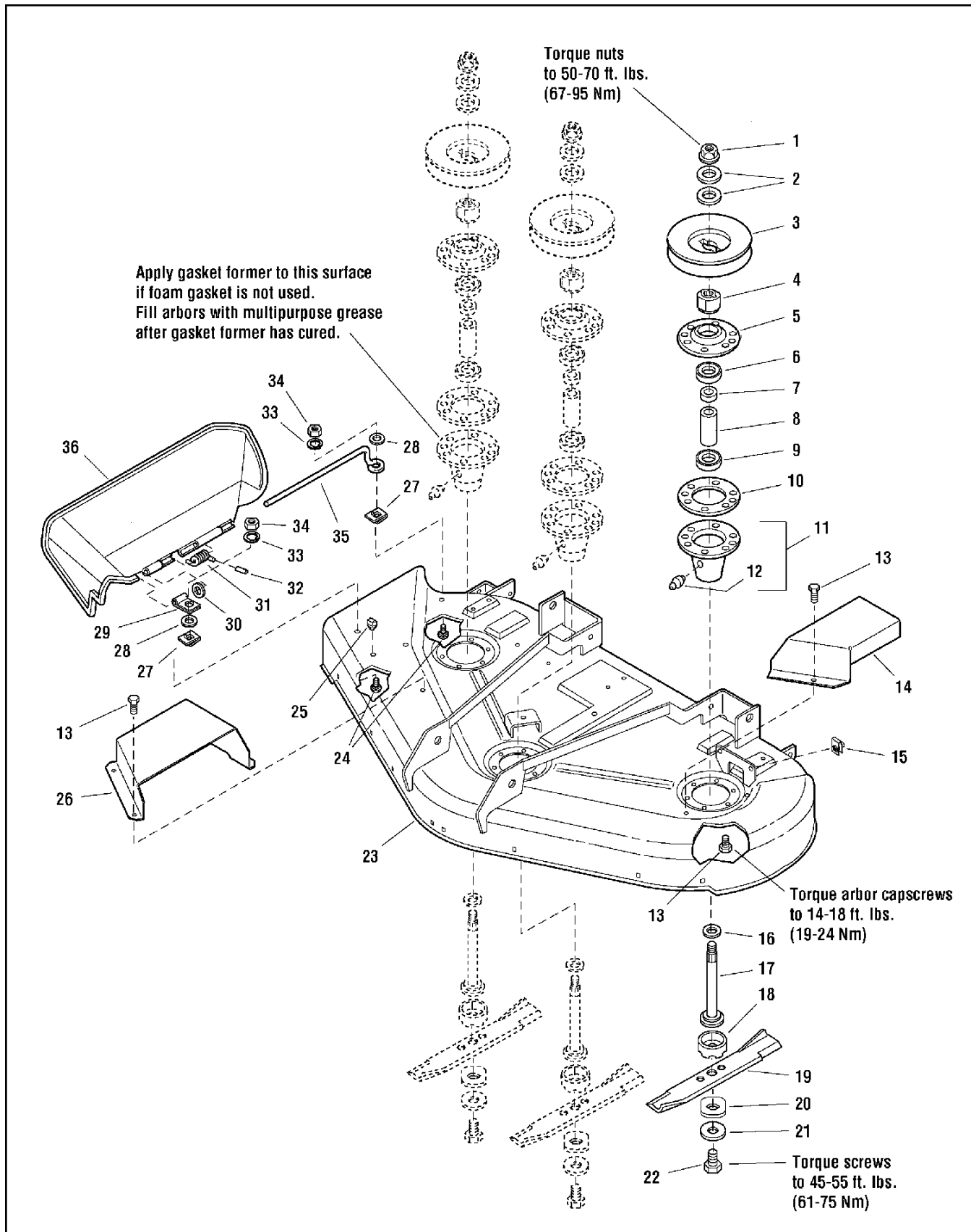


44" & 50" Mower Deck - Housing, Arbors & Blades Group

Item	Part No	Qty	Description	Note
1	1714419	3	NUT, HEX FLANGE, 9/16-18	
2	1713675	6	WASHER, BELLEVILLED, 9/16	
3	1713161	3	PULLEY	
4	1713613	3	HUB	
5	1655729A	3	COVER, ARBOR HOUSING	Was 1655759
6	2108202	3	BEARING, BALL, 3/4 X 1-3/4 X 5/8	
7	1715724	3	SPACER, 21/32 X 3/4 X 5/8	
8	1715723	3	SPACER, 11/16 X 5/32 X 2-11/16	
9	1705897	3	BEARING, BALL, 11/16 X 1-9/16 X 15/32	
10	1707335	3	SEAL, FOAM	
11	1713338	3	ARBOR HOUSING ASSEMBLY (INCLUDES REF. NO. 12)	
12	1704314	3	FITTING, GREASE	
13	7091541	24	CAPSCREW, HEX HEAD TAPTITE, 5/16-18 X 3/4	Was 1664847
14	5048447D	1	COVER, ARBOR, LH	
15	3022308	2	BODY CLIP, 5/16-18	Was 5022308
16	1713619	3	WASHER, 9/16, BLACK	
17	1713609	3	SHAFT, ARBOR	
18	1713196	3	SHIELD, GRASS, LOWER	
19	1704100A	3	BLADE, MOWER, 16-1/8 (FOR 44" DECKS)	
19	1708229A	3	BLADE, MOWER, 18-1/8 (FOR 50" DECKS)	
20	1713089	3	WASHER, HEX, 11/16 X 2	
21	1656916	3	WASHER, SPRING, 15/32, BLACK	
22	2923471	3	CAPSCREW, HEX HEAD, 7/16-14 X 1-1/4	
23	5049096D	1	MOWER HOUSING ASSEMBLY, 44" MOWER (includes decals)	
23	5049097D	1	MOWER HOUSING ASSEMBLY, 50" MOWER (includes decals)	
24	1931318	2	CARRIAGE BOLT, 1/4-20 X 7/8	
25	1705115	1	PLUG, HOLE	
26	5048446D	1	COVER, ARBOR, RH	
27	1960518	2	NUT, PUSH	
28	1960353	2	WASHER, 1/4, BLACK	
29	1704873	1	CLAMP	
30	1919326	1	WASHER, 5/16, BLACK	
31	1723938	1	SPRING	
32	1723323	1	VINYL CAP	
33	1916964	2	WASHER, LOCK, 1/4	
34	1916622	2	NUT, HEX, 1/4-20	
35	5049245	1	ROD, DEFLECTOR	

Footnotes:

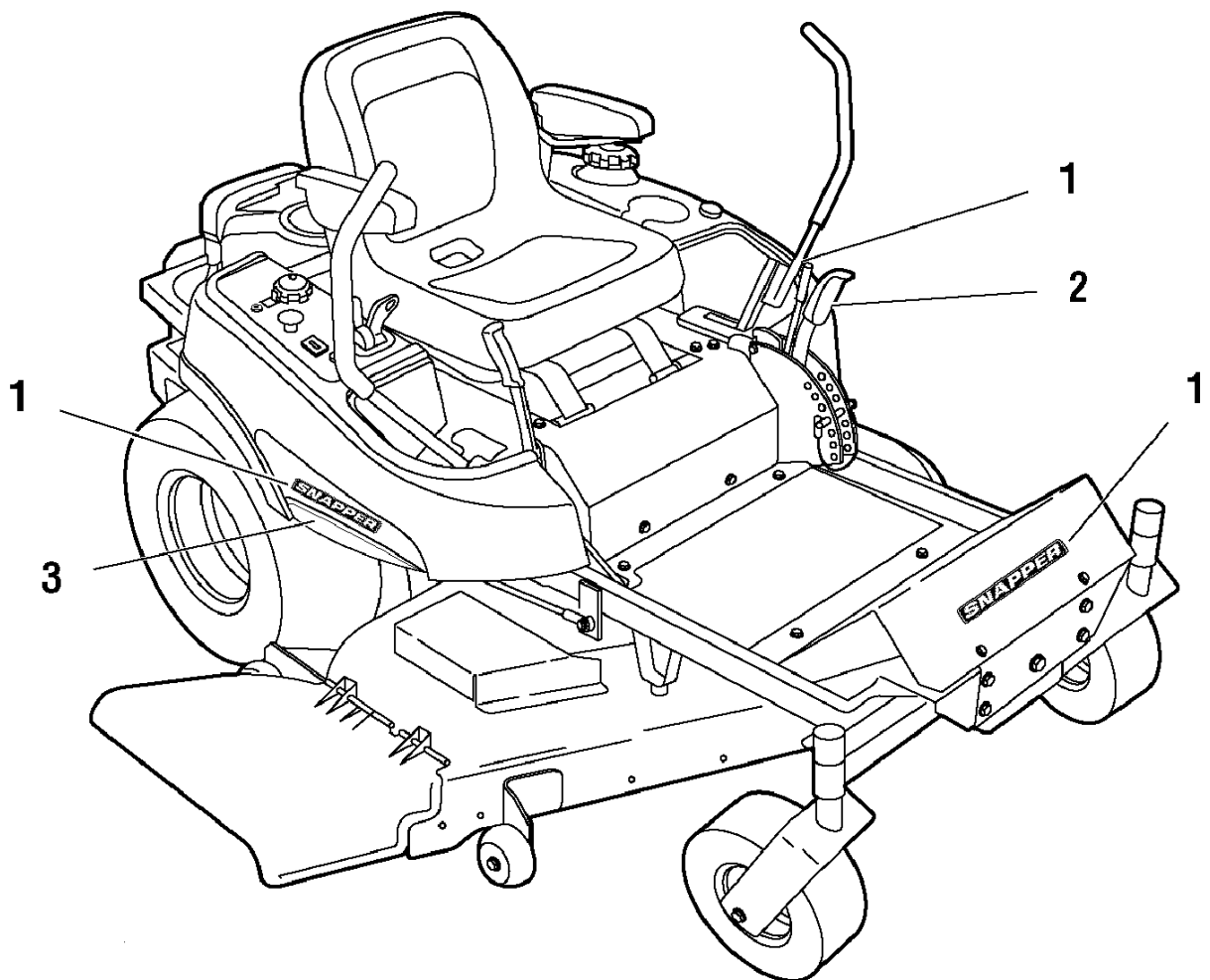
44" & 50" Mower Deck - Housing, Arbors & Blades Group



44" & 50" Mower Deck - Housing, Arbors & Blades Group

Item	Part No	Qty	Description	Note
36	1705449	1	DEFLECTOR, PLASTIC	

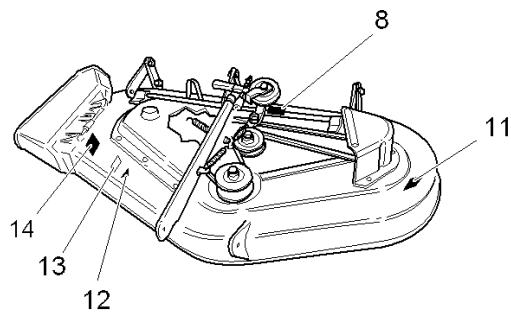
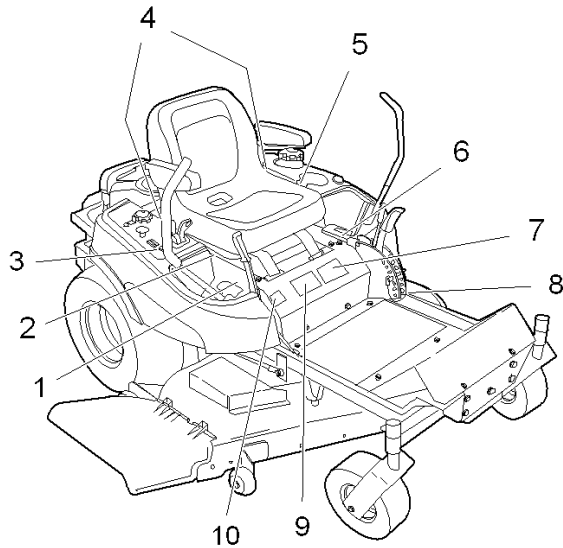
Footnotes:



Decals Group - Brand & Model

Item	Part No	Qty	Description	Note
1	7075760	3	DECAL, Snapper, 8" long	
2	5023228	1	DECAL, Stripe, LH	
3	5023229	1	DECAL, Stripe, RH	

Footnotes:



Bells & Blades	
Tractor	
Pump Drive Belt	M02284
44" Mower	
Deck Drive Belt	7C82372
Mower Blade	7C4110
50" Mower	
Deck Drive Belt	7E4567
Mower Blade	7C8229

2

3

4

5

6

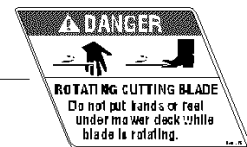
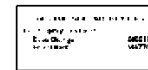
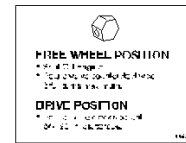
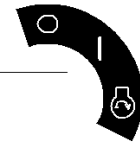
10

12

13

11

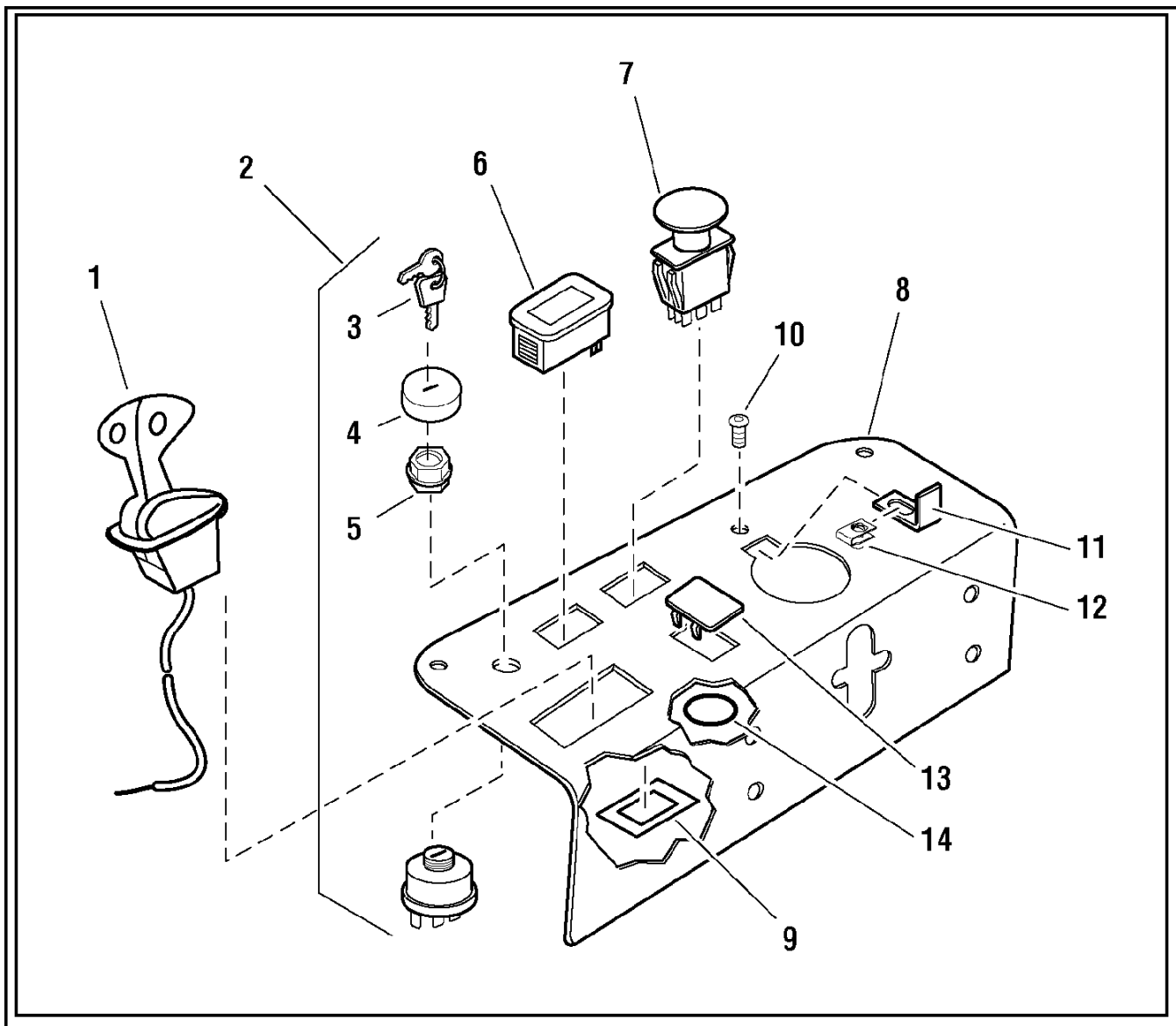
14



Decals Group - Safety & Common

Item	Part No	Qty	Description	Note
1	1725671	1	DECAL, Motion Control, RH	
2	5048907	1	DECAL, Belt and Blade	
3	7172806	1	DECAL, Ignition Switch Symbol, White/Black	
4	5045562	2	DECAL, Transmission Release, Free Wheel	
5	1720454	1	DECAL, Touch Up Paint	
6	1725671	1	DECAL, Motion Control, LH	
7	1725673	1	DECAL, Danger	
8		1	DECAL, I.D. Plate	<i>Not a service part.</i>
9	1725672	1	DECAL, Warning	
10	1725669	1	DECAL, Parking Brake	
11	1704276	1	DECAL, Danger Do Not Put Hands/Feet in Mower	
12		1	DECAL, OPEI Certified	<i>Not a service part.</i>
13	1722789	1	DECAL, 44"	
13	1722790	1	DECAL, 50"	
14	1704277	1	DECAL, Danger Do Not Operate Without Deflector	

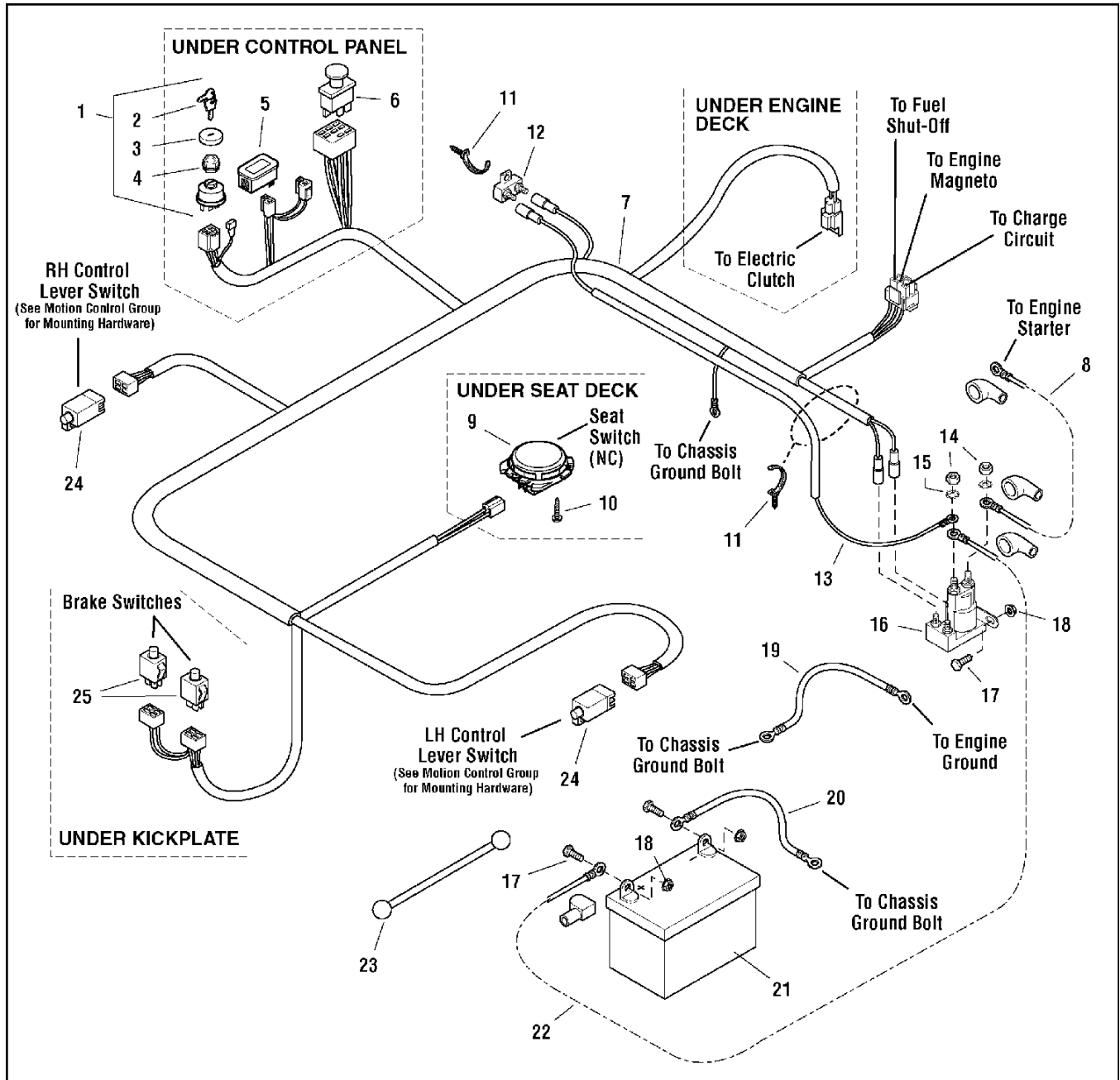
Footnotes:



Controls Group - Panel

Item	Part No	Qty	Description	Note
1	7072517	1	DUAL CHOKE/THROTTLE LEVER	<i>Was 1721950</i>
2	5020927	1	SWITCH, IGNITION, (Includes Ref 3-5)	
3	7073406	1	KEY, Ignition Molded (Set of 2)	<i>5022789</i>
4	5022790	1	COVER	
5	5022791	1	PLASTIC NUT	
6	1687008	1	HOUR METER, DIGITAL (Includes Retaining Ring)	<i>Was 1725523</i>
7	5022180	1	SWITCH, PTO	
8	5048758A	1	CONTROL PANEL	
9	5022222	1	RING, SWITCH RETAINER	
10	5025229X4	1	CAPSCREW, BUTTON ALLEN HEAD, 1/4-20 x 3/4	
11	5049022A	1	LOCK BRACKET	
12	5022665	1	BODY CLIP, 1/4-20	
13	1709188	1	HOLE PLUG	
14	5022269	1	O-RING	

Footnotes:

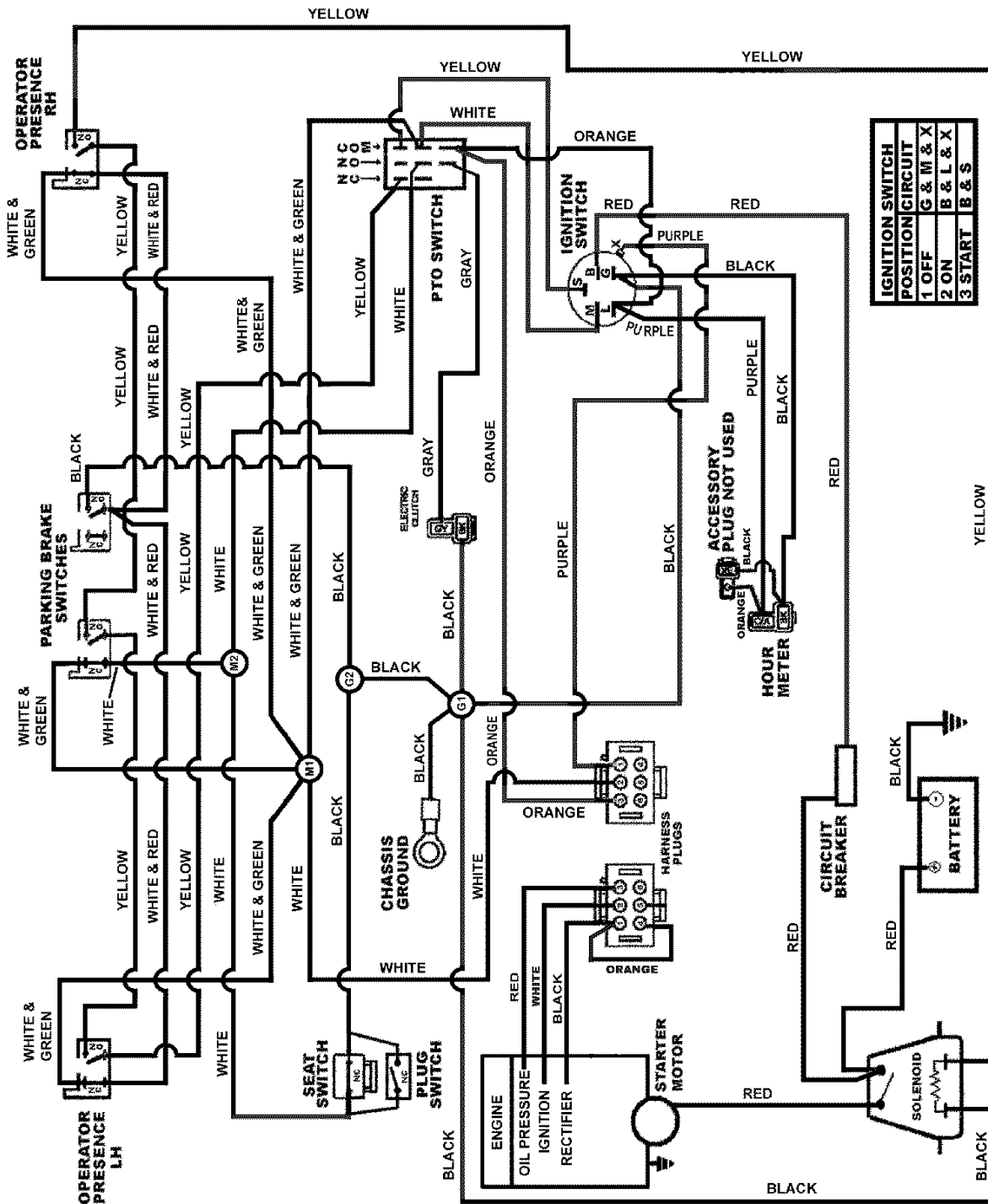


Electrical Group

Item	Part No	Qty	Description	Note
1	5020927	1	SWITCH, IGNITION, (Includes Ref 2-4)	
2	7073406	1	KEY, Ignition Molded (Set of 2)	5022789
3	5022790	1	COVER	
4	5022791	1	PLASTIC NUT	
5	1687008	1	HOUR METER, DIGITAL (Includes Retaining Ring)	Was 1725523
6	5022180	1	SWITCH, PTO	
7	5048640	1	MAIN HARNESS ASSEMBLY	
8	5048756	1	CABLE, #6 X 15" LONG, RING TERMINAL	
9	1716368	1	SWITCH, SEAT, GRAY, NC	
10	1960536	2	CAPSCREW, HEX WASHER HEAD PLASTITE, 1/4 X 1/2	
11	5021199	2	CABLE TIE, PUSH MOUNT	
12	5023222	1	CIRCUIT BREAKER, 20A	
13	5048938	1	CIRCUIT BREAKER WIRE ASSEMBLY	
14	5023216	2	NUT, HEX JAM, 5/16-24	
15	5023217	2	WASHER, LIGHT LOCK, 5/16	
16	1686981	1	SOLENOID	Was 1724815
17	5025010X6	4	CAPSCREW, HEX HEAD, 1/4-20 X 3/4	
18	5025126	4	NUT, HEX SERRATED FLANGE, 1/4-20	
19	5044014	1	CABLE, #6 X 10" LONG, RING TERMINAL	
20	5021406	1	CABLE, #6 X 22" LONG, RING TERMINAL	
21	7035610	1	BATTERY, 12 VOLT	Was 5020798
22	5021542	1	CABLE, #6 X 30" LONG, RING TERMINAL	
23	1722009	1	STRAP, BATTERY, 14 LONG, RUBBER	
24	5022095	2	SWITCH, PLUNGER, NO/NC	
25	5022182	2	SWITCH, PLUNGER, NO/NC, SNAP IN	

Footnotes:

Wiring Schematic 18hp



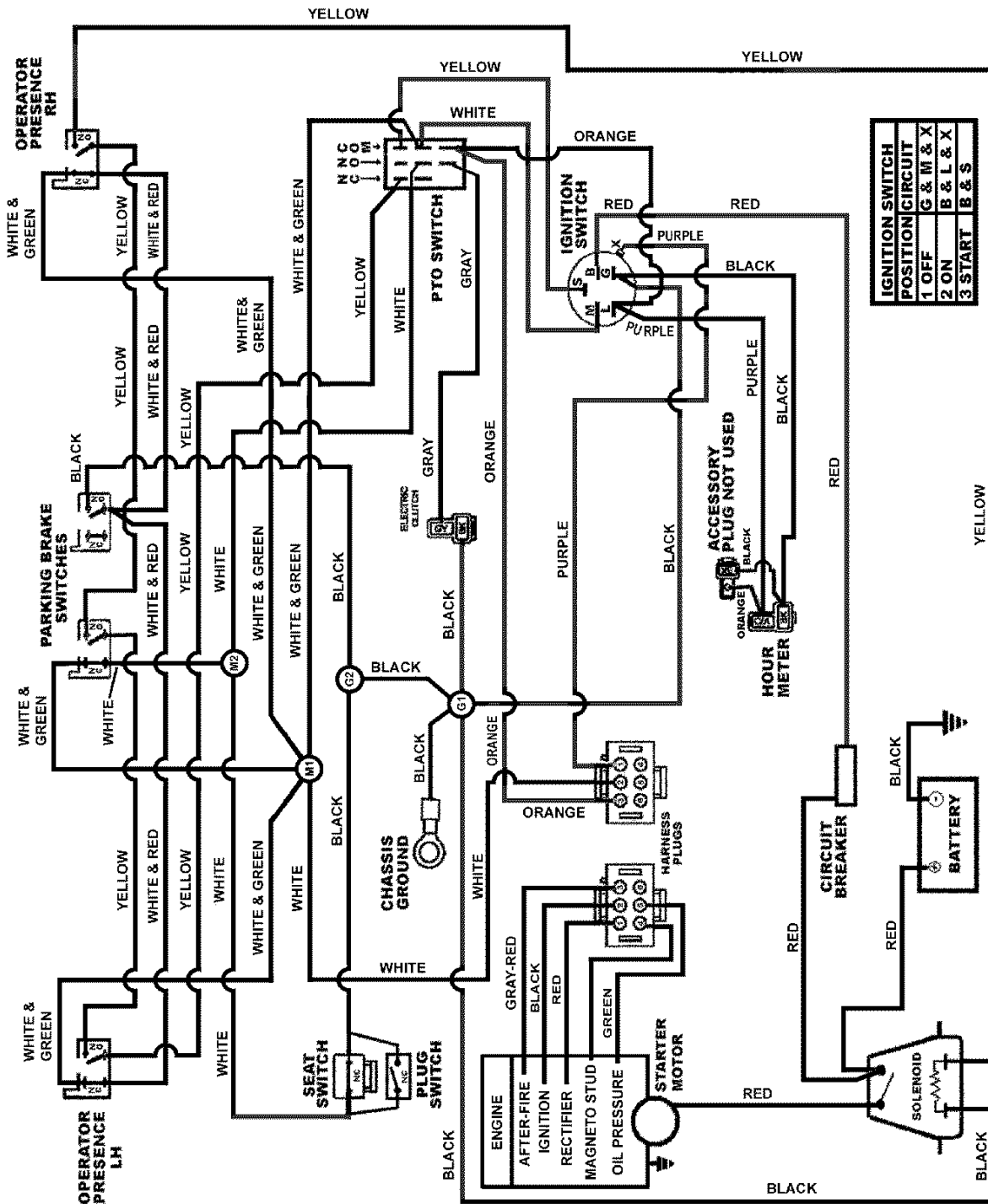
WIRING SCHEMATIC for ZT18440KH HARNESS Part #5048640

Wiring Schematic 18hp

Item	Part No	Qty	Description	Note
		1	Wiring Schematic includes harness #5048640	

Footnotes:

Wiring Schematic 20hp



IGNITION SWITCH POSITION	CIRCUIT
1 OFF	G & M & X
2 ON	B & L & X
3 START	B & S

WIRING SCHEMATIC for ZT20500BV HARNESS Part #5048640

Wiring Schematic 20hp

Item	Part No	Qty	Description	Note
		1	Wiring Schematic includes harness #5048640	

Footnotes:

Parts Manual for

SNAPPER®

FastCut HYDRO DRIVE ZTR SERIES 0

IT IS THE POLICY OF SNAPPER TO IMPROVE ITS PRODUCTS
WHENEVER IT IS POSSIBLE AND PRACTICAL TO DO SO. WE
RESERVE THE RIGHT TO MAKE CHANGES OR ADD IMPROVEMENTS
AT ANY TIME WITHOUT INCURRING ANY OBLIGATION TO MAKE
SUCH CHANGES ON PRODUCTS MANUFACTURED PREVIOUSLY.

SNAPPER® McDonough, GA, 30253 U.S.A.

Free Manuals Download Website

<http://myh66.com>

<http://usermanuals.us>

<http://www.somanuals.com>

<http://www.4manuals.cc>

<http://www.manual-lib.com>

<http://www.404manual.com>

<http://www.luxmanual.com>

<http://aubethermostatmanual.com>

Golf course search by state

<http://golfingnear.com>

Email search by domain

<http://emailbydomain.com>

Auto manuals search

<http://auto.somanuals.com>

TV manuals search

<http://tv.somanuals.com>