

Parts Manual for
SNAPPER[®]

HYDRO DRIVE ZTR
350Z/400Z
SERIES 1

MODEL

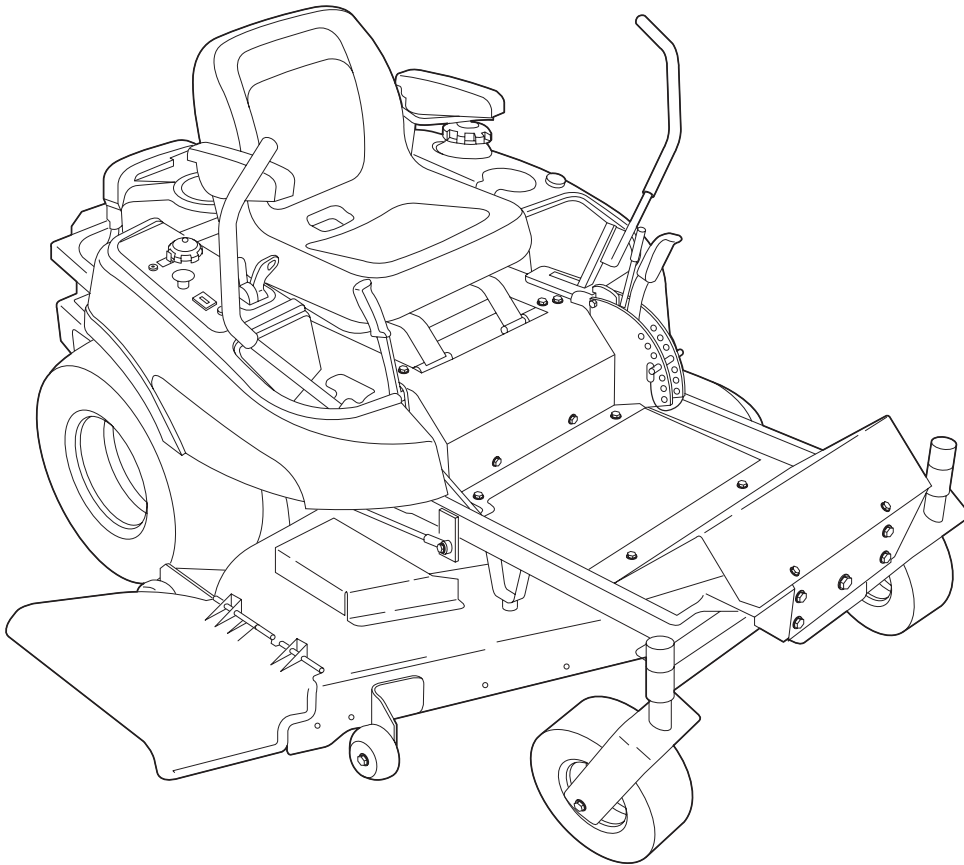
ZT18441KHC (5900608)

ZT19441KWV (5900609)

ZT20501BV (5900610)

EZT20501BV (5901166)

400ZB2450 (5900706)



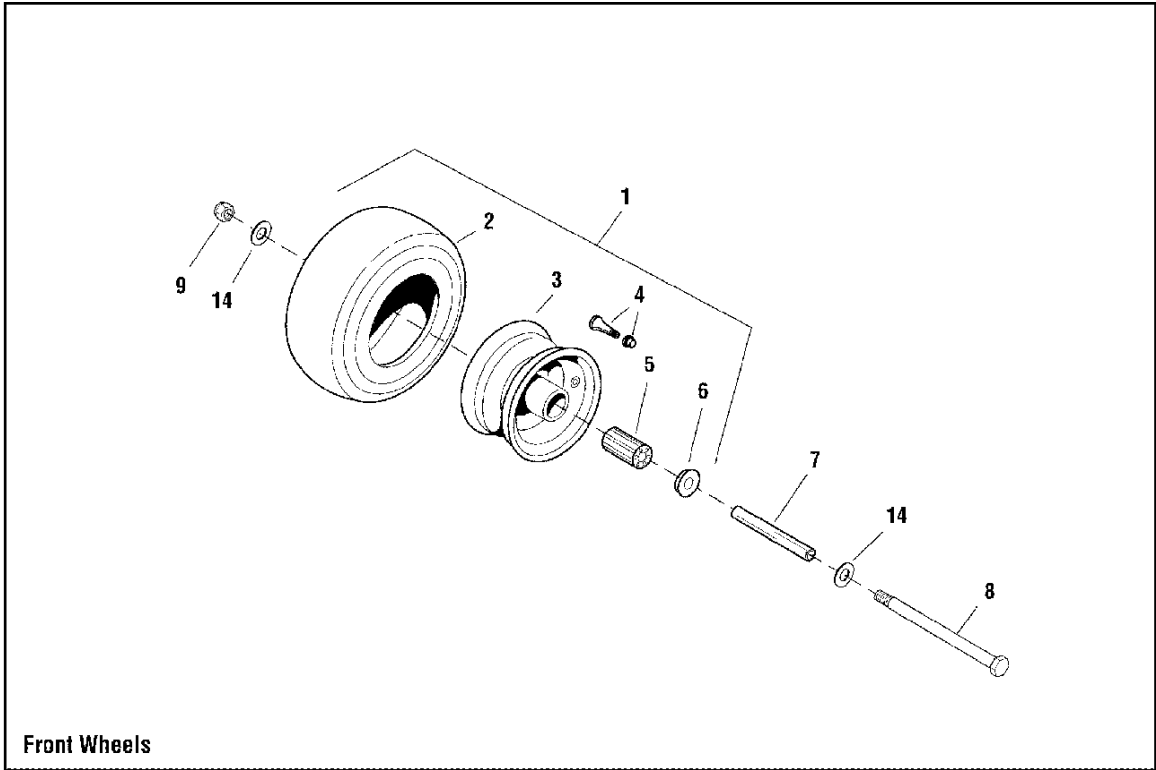
SNAPPER McDonough, GA, 30253 U.S.A.

Briggs & Stratton Yard Power Products Group
Copyright © 2007 Briggs & Stratton Corporation
Milwaukee, WI USA. All Rights Reserved

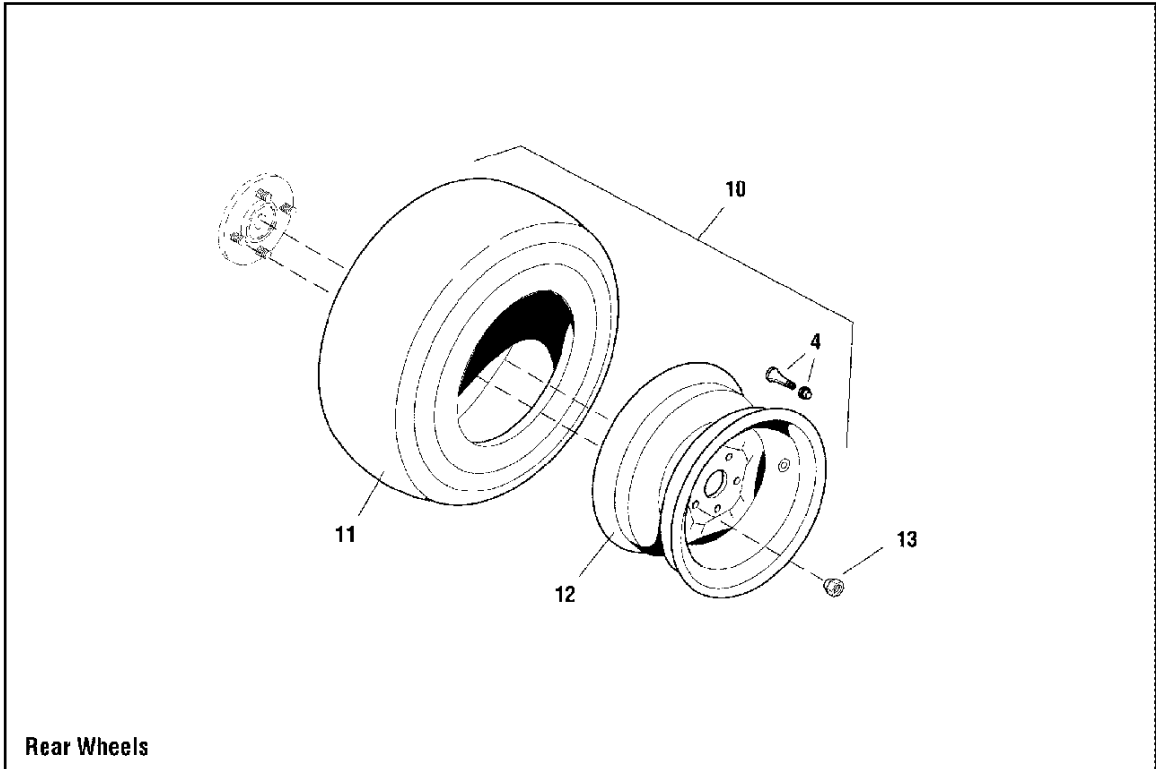
Revision F, 10/15/2007

Manual No. 7006937
TP 400-5132-F-HZ-N

PAGE	GROUP
4	Wheel & Tire Group
6	Main Frame & Front Suspension Group
8	Seat & Kickplate Group
10	Seat & Kickplate Group - 24 HP Models
12	Fuel Tank Group
14	Control Group Upper
16	Control Group Lower
18	Drive Group
20	Brake Group
24	Hydraulic Group (270HYD1)
26	Hydraulic Pump SERVICE PARTS - BDP/PG Series
28	Engine & PTO Group - BRIGGS & STRATTON
30	Engine & PTO Group - 24 HP Briggs & Stratton
32	Engine & PTO Group - KAWASAKI
34	Engine & PTO Group - KOHLER
36	Bumper Group
38	Decals Group - Brand & Model
40	Decals Group - Safety & Common
42	Export Decals Group - Safety & Common
44	Lift Group
48	44" & 50" Mower Deck - Belt & Idler Group
50	44" & 50" Mower Deck - Housing, Arbors & Blades Group
54	44" & 50" Mower Deck Roller Group
56	Control Group Panel
58	Electrical Group
60	Wiring Schematic 18hp
62	Wiring Schematic 20hp
64	Wiring Schematic - 24 HP Briggs & Stratton



Front Wheels



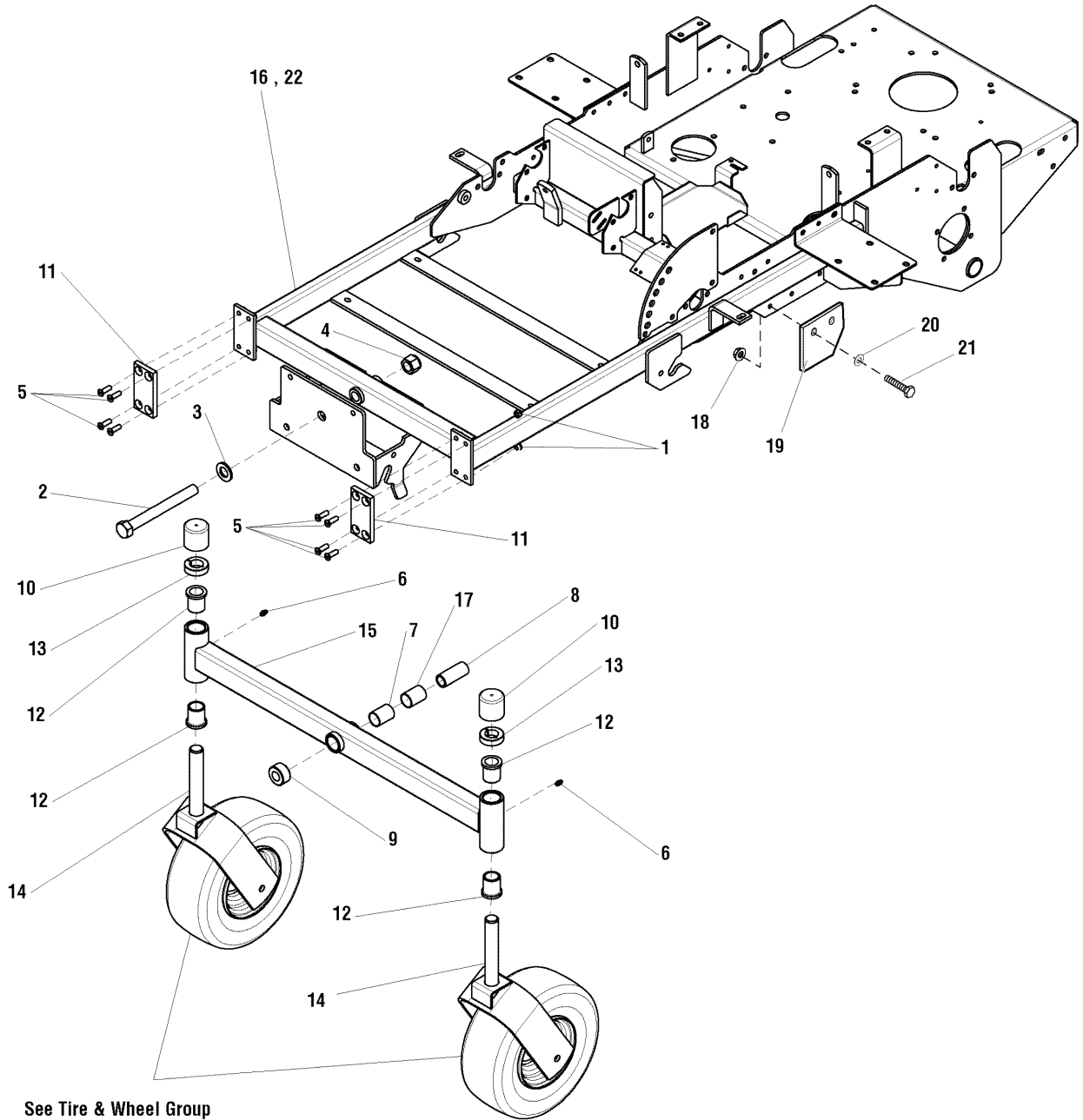
Rear Wheels

Wheel & Tire Group

Item	Part No	Qty	Description	Note
1	5022433S	2	WHEEL & TIRE ASSEMBLY, 11 X 4.0 - 5, COMPLETE	(Includes Ref No. 2 - 6)
2	5022433X1	2	TIRE, FRONT, 11 X 4.0 - 5	
3	5022433S2	2	WHEEL ASSEMBLY, COMPLETE	(Includes Ref No. 4 & 5)
4	2172353	4	VALVE STEM & CAP ASSEMBLY	
5	5021042	4	BEARING, ROLLER	(2 Per Tire)
6	5021043	4	BEARING RETAINER	(2 Per Tire)
7	5045996	2	AXLE, FRONT CASTER	
8	5025017X52	2	BOLT, 1/2-13 X 6-1/2	
9	5025056	2	NUT, HEX NYLON LOCK, 1/2-13	
10	5023095	2	WHEEL & TIRE ASSEMBLY, 20 X 8.0 - 10, COMPLETE	(Includes Ref No. 4, 11 & 12)
11	5023095X1	2	TIRE, REAR, 20 X 8.0 X 10	
12	5023095X2	2	WHEEL ASSEMBLY, FOR 20 X 8.0 X 10 TIRE	
13	5020601	8	LUG NUT, 1/2-20	
14	5025158	4	WASHER, SAE, 1/2	

Footnotes:

Main Frame & Front Suspension Group

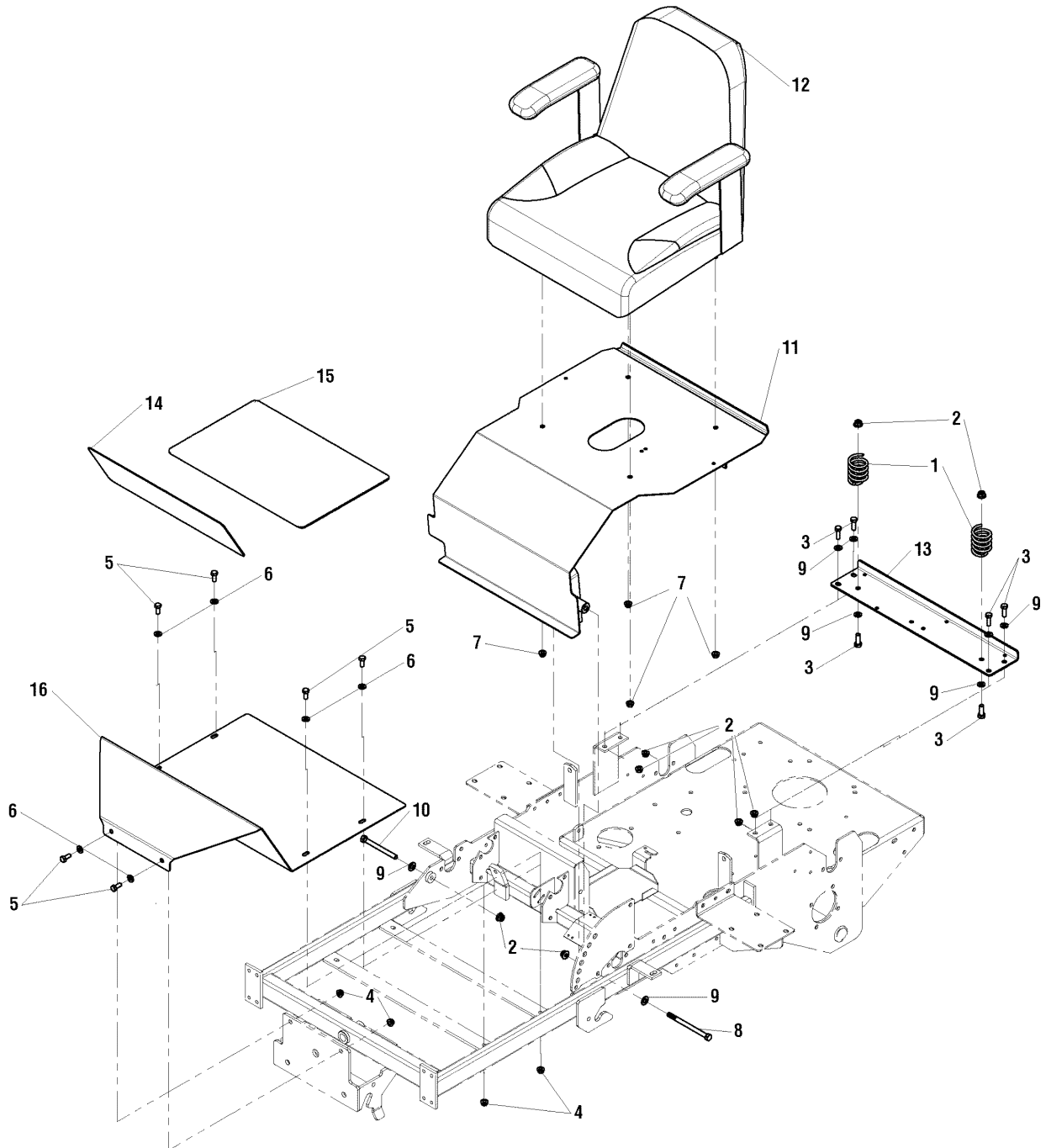


Main Frame & Front Suspension Group

Item	Part No	Qty	Description	Note
1	5025057	8	NUT 5/16-18 HEX NYLON LOCK	
2	5025265X56	1	3/4-16 X 7" GD 8 BOLT TZ	
3	5025160	1	WASHER, 3/4" SAE	
4	5025284	1	NUT, 3/4-16 HEX NYLON LOCK	
5	5025303	8	SCREW 5/16-18 X 1 FLAT HD SC	
6	5020095	2	GREASE FITTING, 1/4-28 STR	
7	5022852	1	PIVOT BEARING, 1.00" X 1.125" OD X 1.50"	
8	5047489	1	SPACER, .75 X 1.00 X 2.38	
9	5400756	1	SPACER, .75 X 1.50 X .785	
10	5023214	2	CAP, VINYL 1.687 X 1-1/2	
11	5045990	2	PLATE, FRICTION REDUCER	
12	5021541	4	BUSHING, FLANGE	
13	5020602	2	COLLAR, 1" SPLIT	
14	5048775D	2	WELD, CASTER YOKE	
15	5400405D	1	WELD, PIVOTING FRONT END	
16	5400350D	1	WELD, MAIN FRAME, SNAPPER ZT	
17	5100358	1	BEARING, PIVOT, 1.00 X 1.25 X .50	
18	5025392	4	NUT, 5/16-18 HEX NYLOCK FLANGE	
19	5401053D	2	PLATE, DECK STOP - SNAPPER RED	
20	5025155	4	WASHER, 5/16" SAE	
21	5025011X6	4	BOLT, 5/16-18 X 3/4" GD5	
22	5403499D	1	WELD, MAIN FRAME, SNAPPER 400Z	(24 HP Models Only)

Footnotes:

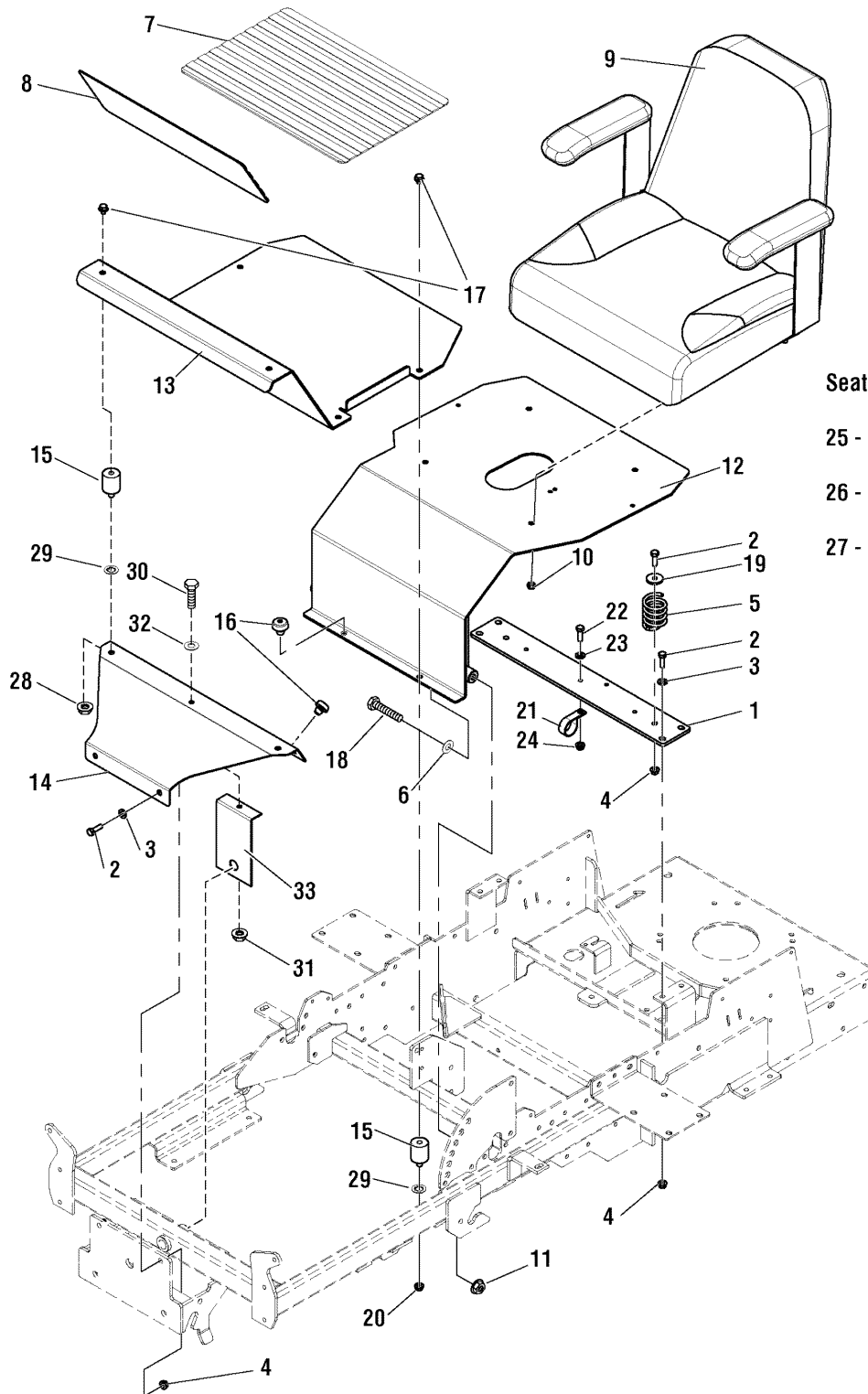
Seat & Kickplate Group



Seat & Kickplate Group

Item	Part No	Qty	Description	Note
1	7078299	2	SPRING, SEAT SUPPORT	
2	5025394	8	NUT, 3/8-16 HEX NYLOCK FLANGE	
3	5025013X8	6	BOLT, 3/8-16 X 1" GD5	
4	5025392	6	NUT, 5/16-18 HEX NYLOCK FLANGE	
5	5025011X8	6	BOLT, 5/16-18 X 1" GD5	
6	5025292	6	WASHER, 5/16" GD.9 FLAT	
7	5025057	4	NUT, 5/16-18 HEX NYLON LOCK	
8	5025013X40	1	BOLT, 3/8-16 X 5" GD5	
9	5025156	8	WASHER 3/8" SAE	
10	5025013X32	1	BOLT, 3/8-16 X 4" GD5	
11	5400528D	1	WELD, SEAT PLATE - RED	
12	5061599	1	SEAT	
13	5400361D	1	MOUNT, OIL FILTER	
14	5049979	1	SAFETY WALK, FLOOR REST	
15	5049978	1	SAFETY WALK, FLOOR PLATE	
16	5400918D	1	PLATE, FLOOR DETAIL	

Footnotes:



Seat Replacement Parts

25 - "Arm Rest (Set of Two)"

26 - "Spring, Seat Adjustment"

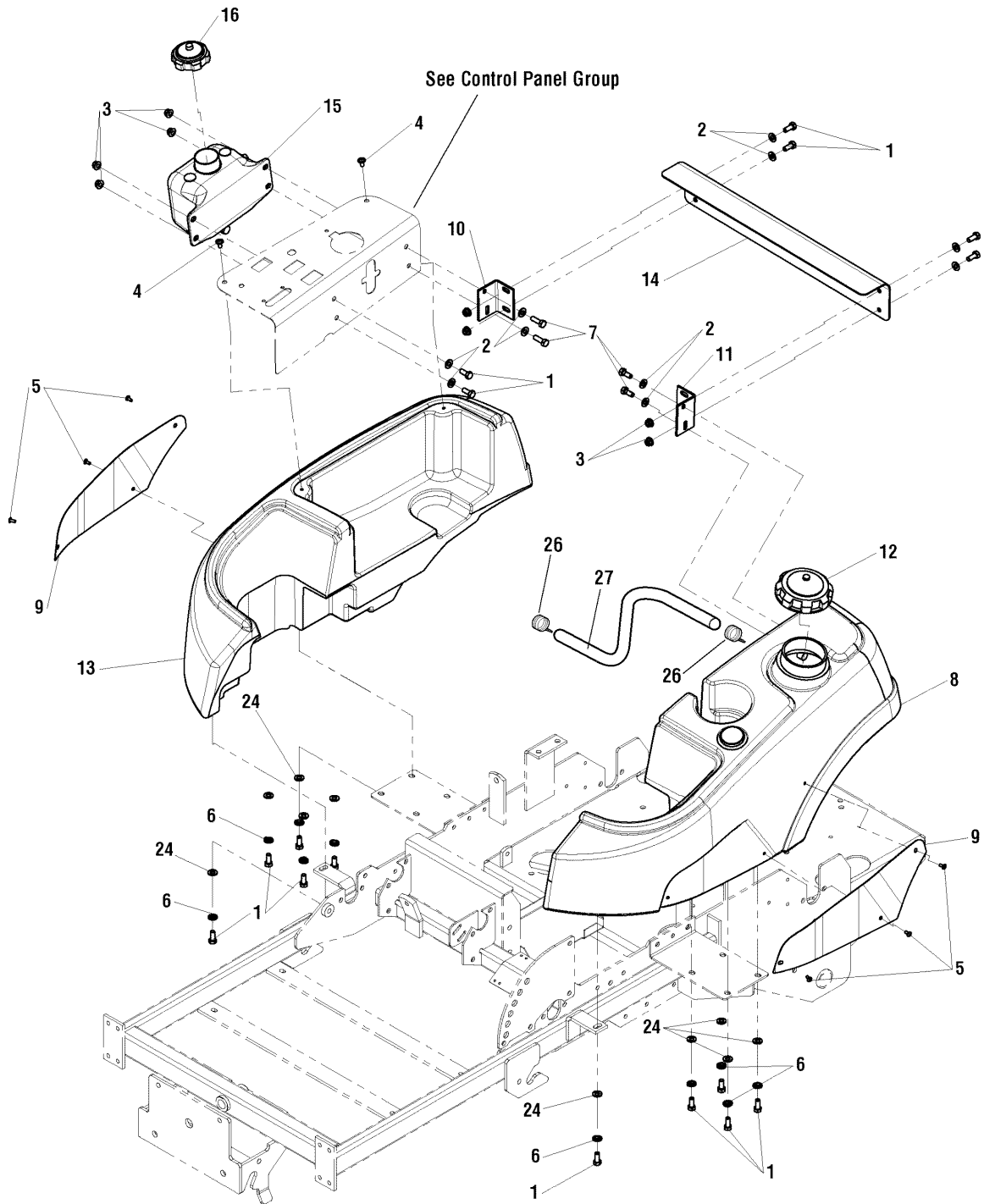
27 - "Kit, Seat Rails, Complete"

Seat & Kickplate Group - 24 HP Models

Item	Part No	Qty	Description	Note
1	5400361D	1	MOUNT, OIL FILTER- RED	
2	5025011X8	8	BOLT, 5/16-18 X 1 GD 5 YZ	
3	5025292	8	WASHER, 5/16 GD. 9 FLAT	
4	5025392	6	NUT, 5/16-18 HEX NYLOCK FLANGE	
5	7078299	2	SPRING, SEAT SUPPORT	
6	5025156	2	WASHER, 3/8 SAE	
7	5100999	1	SAFETY WALK, FLOOR PLATE, 17.38 X 11.50	
8	5101007	1	SAFETY WALK, FLOOR REST, 17.38 X 6.00	
9	5061599	1	SEAT, XB-180, NO LOGO, BLACK	
10	5025057	4	NUT, 5/16-18 HEX NYLON LOCK	
11	5025394	4	NUT, 3/8-16 HEX NYLOCK FLANGE	
12	5403488D	1	WELD, SEAT PLATE - RED	
13	5403665D	1	PLATE, FLOOR, CONSUMER Z - RED	
14	5403044D	1	PLATE, FLOOR, FRONT, CONS Z - RED	
15	35097	6	MOUNT, VIBRATION, 30 DURO	
16	197546	4	MOUNT, VIBRATION, RUBBER	
17	5025481	6	BOLT, 3/8-16 X 5/8, SERRATED UNDER HEAD	
18	5025013X28	2	BOLT, 3/8-16 X 3-1/2 GD5 YZ	
19	5044617	2	WASHER, .34 X 1.25 X 10 GA	
20	5025128	8	NUT, 3/8-18 HEX SERRATED FLANGE	
21	5403372D	1	PLATE, SUPPORT, FRONT FLOOR - RED	
22	5025155	1	WASHER, 5/16 SAE	
23	5025011X6	1	BOLT, 5/16-18 X 3/4 GDS	
24	5025480	6	WASHER, 3/8" ID, INTERNAL TOOTH	
25	1686907	1	ARM REST, SET OF TWO (SV)	
26	5100636	1	SPRING, SEAT ADJUSTMENT (SV)	
27	5061599X1	1	KIT, SEAT RAILS. COMPLETE (SV)	

Footnotes:

Fuel Tank Group

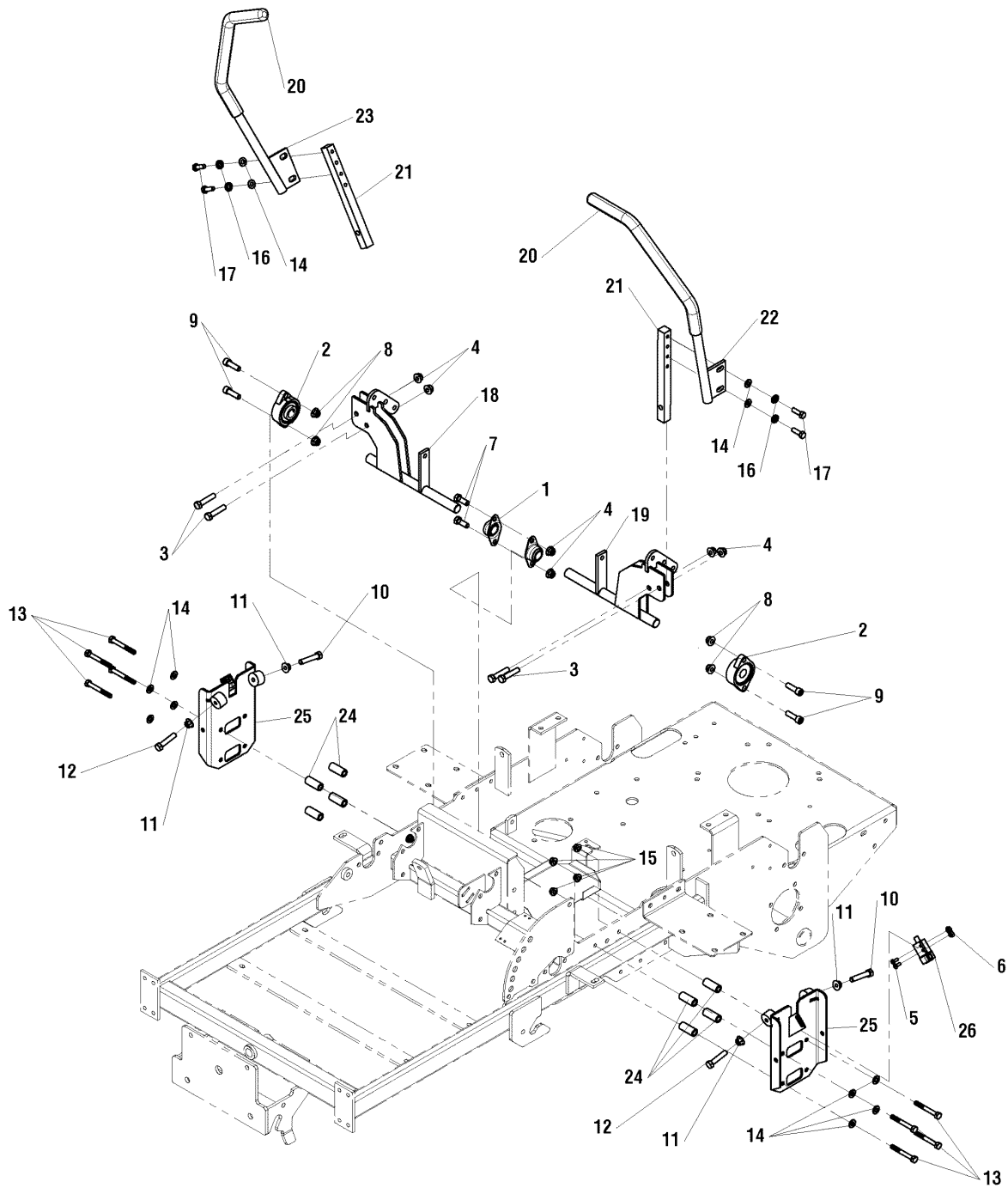


Fuel Tank Group

Item	Part No	Qty	Description	Note
1	5025011X6	16	BOLT, 5/16-18 X 3/4" GRD5	
2	5025155	10	WASHER, 5/16" SAE	
3	5025392	8	NUT, 5/16-18 HEX NYLOCK FLANGE	
4	5025299X4	2	SCREW, ALLEN HEAD, 1/4-20X1/2	
5	5025386	6	SCREW, Allen Head, #10-24 x 3/8"	
6	5025170	10	WASHER, 5/16" LOCK	
7	5025011X8	4	BOLT, 5/16-18 X 1" GD5	
8	5048751	1	FUEL TANK ASSEMBLY	(Includes Ref. 17 - 23)
9	5048909D	2	PLATE, FUEL TANK BADGE - RED	
10	5048763D	1	BRACKET, REAR SUPPORT - RH - RED	
11	5400836D	1	BRACKET, REAR SUPPORT - LH - RED	
12	5022158	1	CAP, FUEL TANK, 3-1/2" NECK	
13	5048752	1	TANK, FUEL - RH	
14	5400919D	1	PLATE, SUPPORT, REAR TANK - RED	
15	5023345	1	TANK, 2QT HYDRAULIC	
16	5023191	1	CAP, HYDRAULIC RESERVOIR	
17	5023061	1	ELBOW FITTING	Not Shown
18	5600050	1	GROMMET	Not Shown
19	5050925X20	1	HOSE, 20"	Not Shown
20	5023069	2	HOSE CLAMP	Not Shown
21	5023067	1	SCREEN FITTING	Not Shown
22	5023197	1	FUEL GAUGE	Not Shown
23	5022917X1	1	GROMMET	Not Shown
24	5025292	10	WASHER, GR. 9 FLAT	
25	5300046	1	ASSM, FUEL HOSE	Not Shown (Includes Ref. 17 - 21)
26	5020835	2	CLAMP, HOSE, RED	
27	5050831X20	1	HOSE, 1/4" FUEL LINE, 20" LONG	

Footnotes:

Control Group Upper

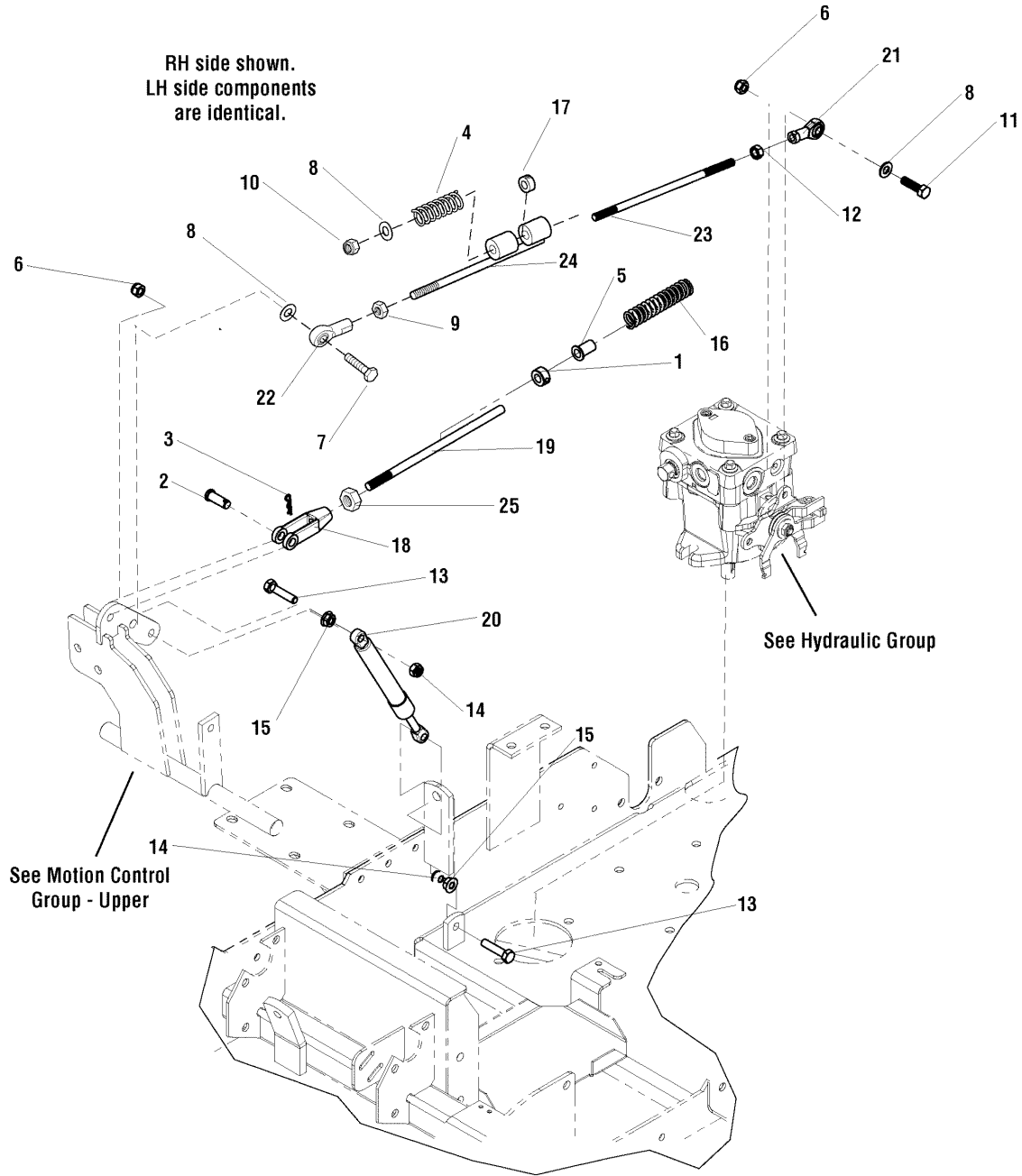


Control Group Upper

Item	Part No	Qty	Description	Note
1	5021098	2	BEARING, BRONZE FLANGE, 3/4"	
2	5021499	2	BEARING, FLANGE	
3	5025013X14	4	BOLT, 3/8-16 X 1-3/4" GD5	
4	5025394	6	NUT, 3/8-16 HEX NYLOCK FLANGE	
5	5025179X4	4	10-24 X .5 SCREW	
6	5025029	4	NUT, HEX, #10-24	
7	5025013X8	2	BOLT, 3/8-16 X 1" GD5	
8	5025096	4	NUT, 3/8-16 HEX NYLON LOCK	
9	5025327	4	3/8-16 x 1-1/4 SOCKET HD CAPSCR	
10	5025055X16	2	BOLT, 5/16-18 X 2" GD 5 TFL	
11	5025139	4	NUT, 5/16-18 HEX LG SERR FLG.	
12	5025055X14	2	BOLT, 5/16-18 X 1.75" GD 5 TFL	
13	5025011X20	8	BOLT, 5/16-18 X 2-1/2" GD5	
14	5025155	12	WASHER, 5/16" SAE	
15	5025392	8	NUT, 5/16-18 HEX NYLOCK FLANGE	
16	5025170	4	WASHER, 5/16" LOCK	
17	5025011X8	4	BOLT, 5/16-18 X 1" GD5	
18	5401020D	1	WELD, CONTROL SHAFT- RH	
19	5401017D	1	WELD, CONTROL SHAFT- LH	
20	5022068	2	GRIP, FOAM, 3/4" ID, 16" LONG	
21	5047004	2	MOUNT, CONTROL ARM	
22	5401096D	1	WELD, HANDLE MOTION CONTROL-LH	
23	5401097D	1	WELD, HANDLE MOTION CONTROL-RH	
24	5048264	8	SPACER, .63 X .39 X 1.50	
25	5048169D	2	WELD, NEUTRAL PLATE	
26	5022095	2	SWITCH, PLUNGER, N.O. / N.C.	

Footnotes:

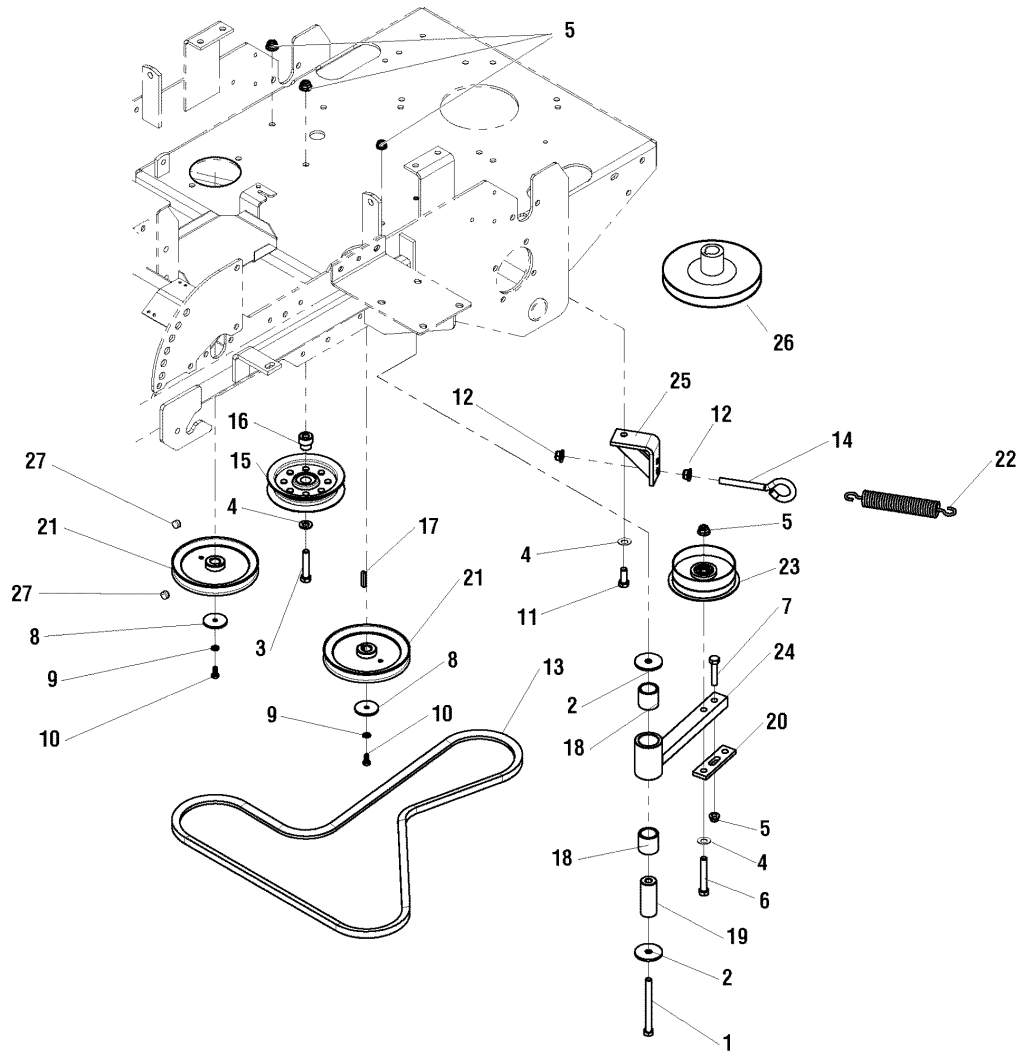
Control Group Lower



Control Group Lower

Item	Part No	Qty	Description	Note
1	5010546	2	COLLAR, 3/8" SET	
2	5025214X8	2	PIN, CLEVIS, 3/8" X 1"	
3	5025211	2	PIN, HAIR, .0585 X 1-1/8	
4	5023242	2	SPRING, CONTROL ROD	
5	5023260	2	BUSHING, FLANGE 3/8ID X 7/8 LONG	
6	5025057	4	NUT 5/16-18 HEX NYLON LOCK	
7	5025011X10	2	BOLT, 5/16-18 X 1-1/4" GD5	
8	5025155	6	WASHER, 5/16" SAE	
9	5025033	2	NUT, HEX 5/16-24	
10	5025045	2	NUT 5/16-24 HEX NYLON LOCK	
11	5025011X8	2	BOLT, 5/16-18 X 1" GD5	
12	5023212	2	NUT, 5/16 HEX LH	
13	5025335	4	BOLT, M8-1.25 x 35MM	
14	5025354	4	NUT, M8-1.25 Hex Nylon Lock	
15	5025355	4	NUT, M8-1.25 Hex Serrated Flange	
16	5022645	2	SPRING, COMPRESSION	
17	5020047	2	SET COLLAR, 5/16"	
18	5021171	2	CLEVIS, 3/8-24, PLASTIC	
19	5049969	2	ROD, NEUTRAL CONTROL, 8"	
20	5022978	2	DAMPENER	
21	5022628	2	BALL JOINT, 5/16-24 Female LH	
22	5021146	2	BALL JOINT, 5/16-24 Female	
23	5048921	2	CONTROL ROD, ADJ. SPRING	
24	5048923	2	ROD ASSEMBLY, SLIDER	
25	5025035	2	NUT, 3/8-24 HEX	

Footnotes:

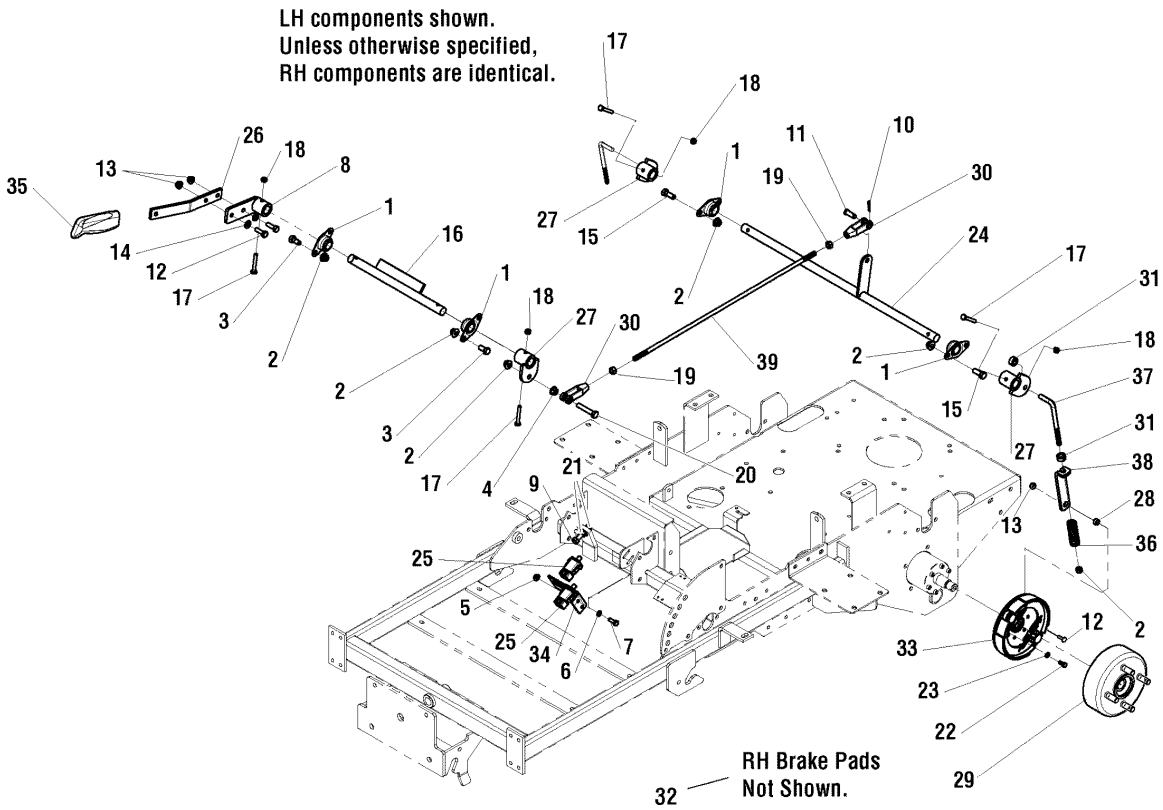


Drive Group

Item	Part No	Qty	Description	Note
1	5025013X32	1	BOLT, 3/8-16 X 4" GD5	
2	5025305	2	WASHER, .41 X 1.75 X .14	
3	5025013X16	1	BOLT, 3/8-16 X 2" GD5	
4	5025156	3	WASHER 3/8" SAE	
5	5025394	5	NUT, 3/8-16 HEX NYLOCK FLANGE	
6	5025013X20	1	BOLT, 3/8-16 X 2-1/2" GD5	
7	5025013X14	1	BOLT, 3/8-16 X 1-3/4" GD5	
8	5044577	2	WASHER, .265 X 1.50 X .109, YZ	
9	5025169	2	WASHER, 1/4" LOCK	
10	5023215	2	BOLT, M6-1.0 X 14MM	
11	5025013X8	1	BOLT, 3/8-16 X 1" GD5	
12	5025034	2	NUT, 3/8-16 HEX	
13	5022931	1	BELT, DECK DRIVE	
14	5023497	1	EYE BOLT, 3/8-16 X 5", 1" EYE	
15	5021002	1	PULLEY, IDLER	
16	5049184	1	SPACER, HYDRO IDLER PULLEY	
17	5023254	2	KEY, 5MM SQ W/ RADIUS	
18	5022157	2	BUSHING, BRASS, 1.25 X 1 X 1.25	
19	5045135	1	SPACER, .39 X 1.00 X 2.55	
20	5048219D	1	PLATE, ANCHOR, SPRING	
21	5023251	2	PULLEY, PUMP DRIVE	
22	1715435	1	SPRING, EXTENSION, 1.00	
23	5022621	1	PULLEY, IDLER, SINGLE FLANGE	
24	5046430D	1	WELD, ARM, PUMP DRIVE IDLER	
25	5045200D	1	WELD, ANCHOR EYEBOLT	
26	5023252	1	PULLEY, Crankshaft	
27	5025061X2	4	SET SCREW, 5/16-18 X 1/2	

Footnotes:

Brake Group

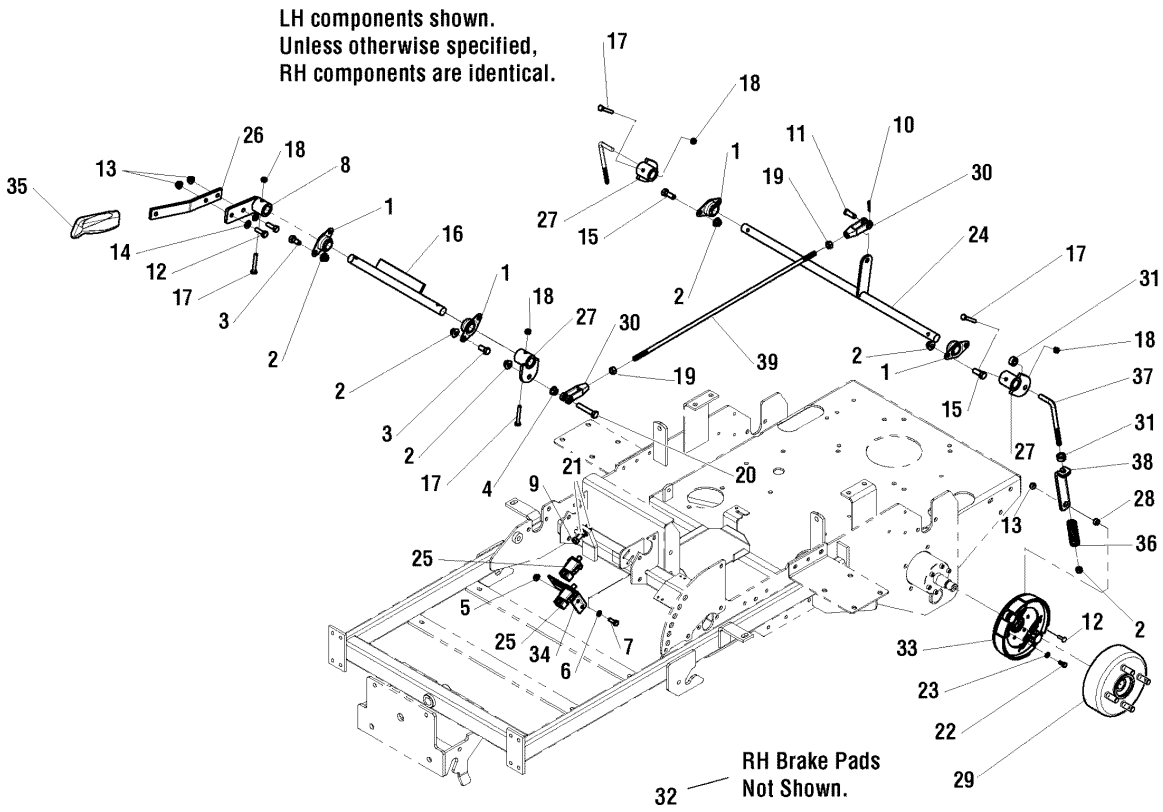


Brake Group

Item	Part No	Qty	Description	Note
1	5021098	4	BEARING, BRONZE FLANGE, 3/4"	
2	5025394	11	NUT, 3/8-16 HEX NYLOCK FLANGE	
3	5025013X6	4	BOLT, 3/8-16 X 3/4" GD5	
4	5025034	1	NUT, 3/8-16 HEX	
5	5025126	2	NUT, 1/4-20 HEX SERR. FLANGE	
6	5025154	2	WASHER, 1/4" SAE	
7	5025010X5	2	BOLT, 1/4-20 X 5/8" GD5	
8	5048401D	2	WELD, MOUNT BRAKE LEVER	
9	5025058X16	1	BOLT, 3/8-16 X 2" GD 5 TFL CZ	
10	5025203X6	1	PIN, COTTER, 1/8" X 3/4"	
11	5025214X8	1	PIN, CLEVIS, 3/8" X 1"	
12	5025011X8	4	BOLT, 5/16-18 X 1" GD5	
13	5025392	4	NUT, 5/16-18 HEX NYLOCK FLANGE	
14	5025155	2	WASHER, 5/16" SAE	
15	5025075X6	4	BOLT, 3/8-16 X 3/4", ALLEN BUTTON	
16	5048163D	1	WELD, SHAFT BRAKE LEVER	
17	5025010X12	4	BOLT, 1/4-20 X 1-1/2" GD5	
18	5025287	4	NUT, 1/4-20 HEX SIDE LOCK	
19	5025035	2	NUT, HEX 3/8-24	
20	5025013X16	1	BOLT, 3/8-16 X 2" GD5	
21	5025128	2	NUT, 3/8-16 HEX LG. SERR FLG	
22	5023215	12	BOLT, M6-1.0 X 14MM	
23	5025169	12	WASHER, 1/4" LOCK	
24	5048166D	1	WELD, SHAFT, REAR BRAKE	
25	5022182	2	SWITCH PLUNGER NO/NC SNAP IN	
26	5045619D	1	HANDLE, BRAKE LEVER	
27	5045618D	3	WELD, PIVOT LINKAGE MOUNT	
28	5041930	2	SPACER, .38 X .50 X .27	
29	5023094	2	DRUM, BRAKE, 4-BOLT	
30	5021171	2	CLEVIS, 3/8-24 PLASTIC	
31	5010546	4	COLLAR, 3/8" SET	
32	5023106	1	BRAKE ASSEMBLY, RH	(Not Shown)
33	5023188	1	BRAKE ASSEMBLY, LH	
34	5045621D	1	BRACKET, SWITCH MOUNT	
35	5100171	1	GRIP, BLACK FLEXIBLE	
36	5022361	2	SPRING, BRAKE	
37	5047091	2	ROD, BRAKE ADJUSTMENT	

Footnotes:

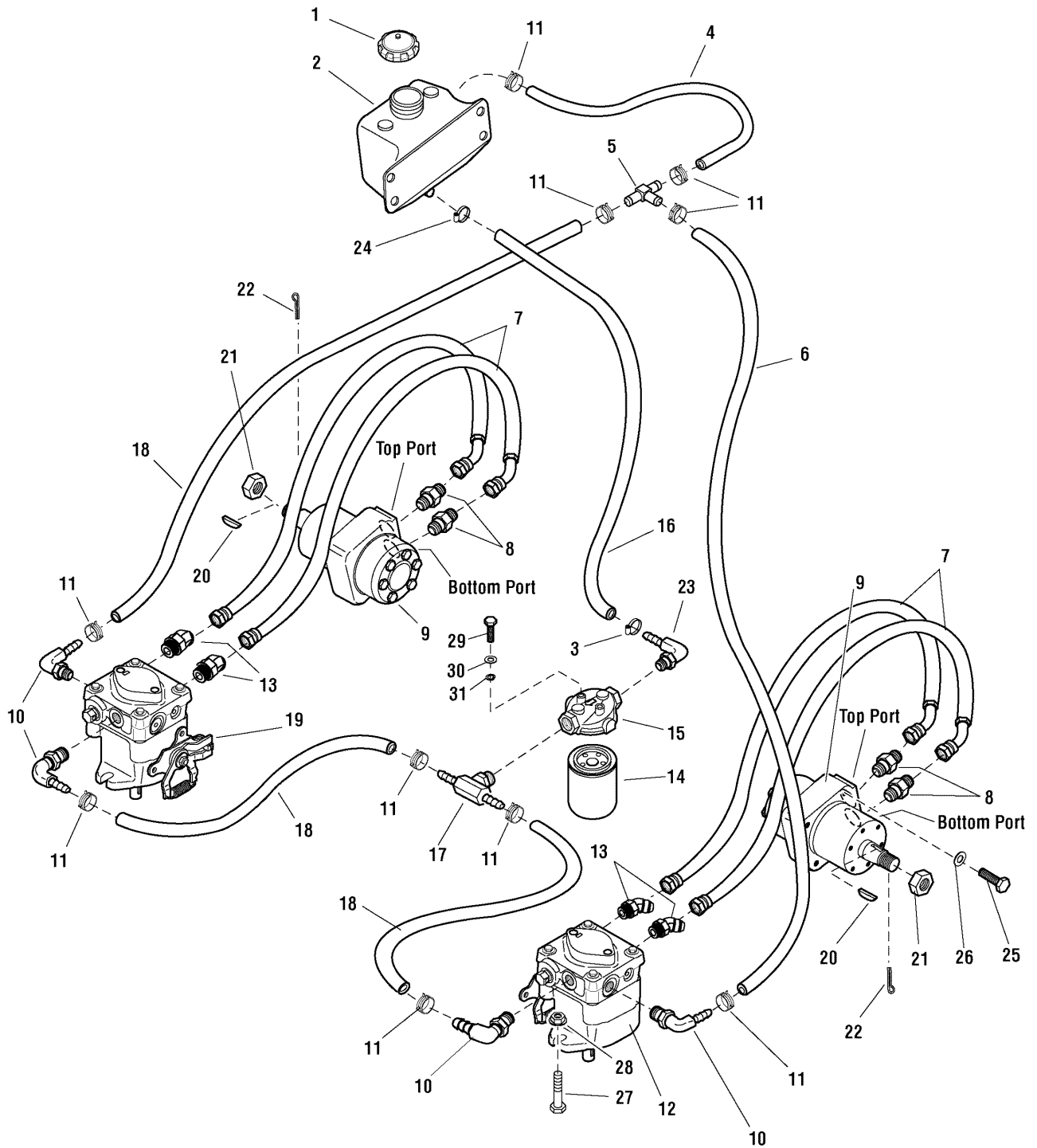
Brake Group



Brake Group

Item	Part No	Qty	Description	Note
38	5047084D	2	LINK, BRAKE LOCK	
39	5042553	1	ROD, BRAKE ENGAGEMENT 36"	

Footnotes:

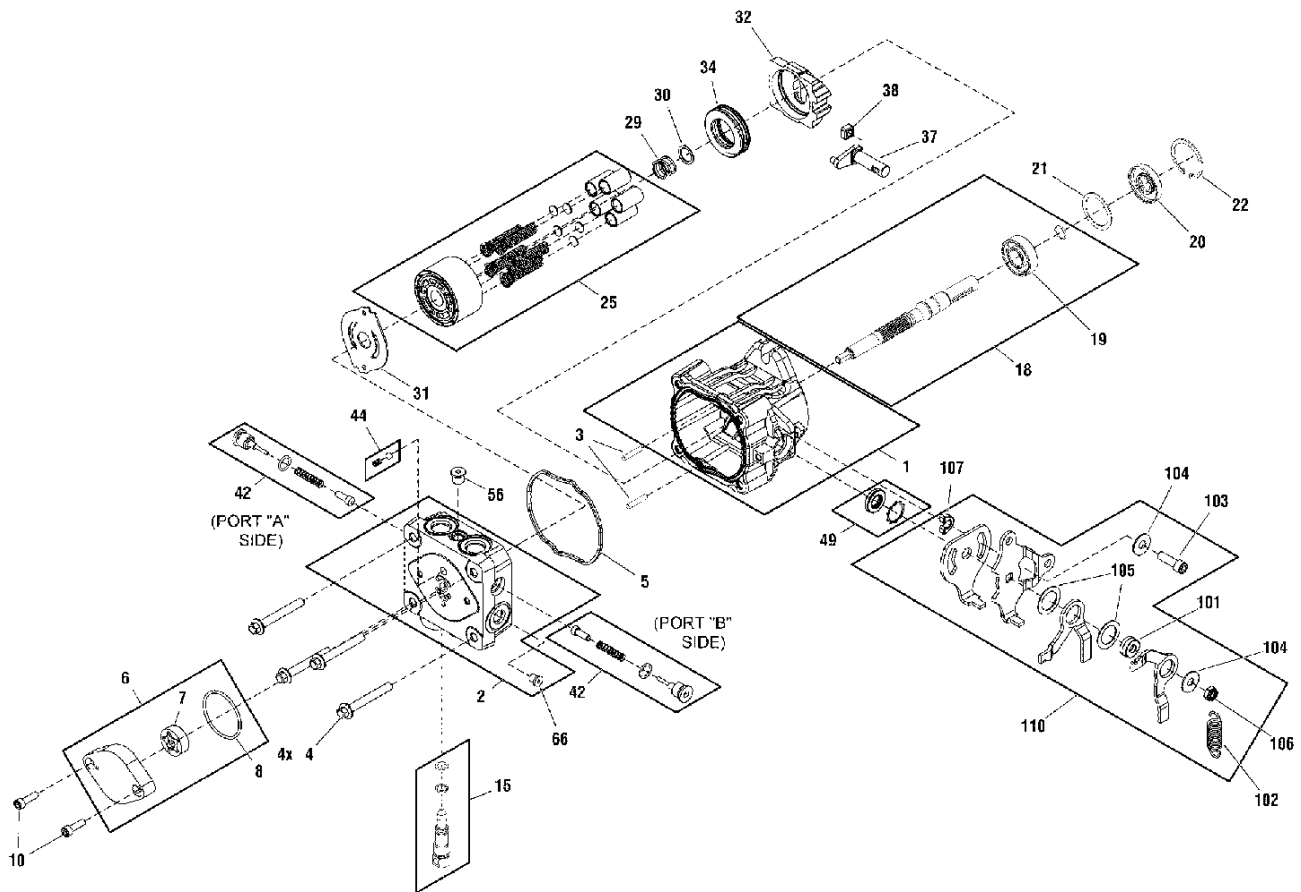


Hydraulic Group (270HYD1)

Item	Part No	Qty	Description	Note
1	5023191	1	CAP	
2	5023345	1	HYDRAULIC TANK	
3	5021164	1	CLAMP, #10 HOSE STAINLESS	
4	5050860X8P	1	HOSE, 3/8 X 8.50" LONG	
5	5022920	1	TEE FITTING	
6	5050860X27	1	HOSE, 3/8 X 27" LONG	
7	5022710	4	25.5" HOSE ASSEMBLY	
8	5022634	4	FITTING, ADAPTER	
9	5023091	2	WHEEL MOTOR	
10	5023267	4	FITTING, 90 DEG. O-RING	
11	5023268	10	CLAMP, HOSE	
12	5100072	1	HYDRAULIC PUMP, LH (PG1HQQ-DV1X-XXXX)	Was 5023092
13	5023338	4	FITTING, ADAPTER	
14	1719168	1	FILTER	
15	5023096	1	FILTER HEAD	
16	5400707	1	HOSE, 5/8 X 12.5" LONG	
17	5023266	1	FITTING, TEE	
18	5050860X7P	3	HOSE, 3/8 X 7.5 " LONG	
19	5100073	1	HYDRAULIC PUMP, RH (PG1KQQ DV1X-XXXX)	Was 5023093
20	5023091X1	2	KEY	
21	5023091X2	2	NUT, CASTLE	
22	5025203X10	2	PIN, COTTER, 1/8 X 1-1/4	
23	5023346	1	ADAPTER, 90 DEG, 9/16-5/8 BARB	
24	5061549	1	CLAMP, HOSE 7/8	
25	5025013X8	8	BOLT, 3/8-16 X 1" GD5 YZ	
26	5025171	8	WASHER, 3/8" SPLIT LOCK	
27	5025013X10	4	BOLT, 3/8-16 X 1-1/4" GD5	
28	5025128	4	NUT, 3/8-16 HEX SERRATED FLANGE	
29	5025010X6	2	BOLT, 1/4-20 X 3/4" GD5 YZ	
30	5025154	2	WASHER, 1/4" SAE	
31	5025169	2	WASHER, 1/4" LOCK	

Footnotes:

Hydraulic Pump SERVICE PARTS - BDP/PG Series



Hydraulic Pump SERVICE PARTS - BDP/PG Series

Item	Part No	Qty	Description	Note
1	5023405	1	Housing Kit	
2	5023406	1	End Cap Kit (W/ Poppets, Standard Charge) (Includes Ref. Nos. 66)	
3	5023407	1	Straight Headless Pin	
4	5023408	4	Hex Flange Bolt M8-1.25 X 60mm LG	
5	5023409	1	Housing O-Ring	
6	5023410	1	Charge Pump Kit (STD) (Includes Ref. Nos. 7 & 8)	
7	--	1	STD Gerotor Assy (11 cu. In/rev D-Drive) (Not a Serviceable Part)	<i>Not a serviceable part.</i>
8	--	1	O-Ring (Not a Serviceable Part)	
10	5023411	2	Socket Head Screw M6 x 1.0-20mm Lg (STD Charge)	
15	5023412	1	Bypass Valve Kit (Blank)	
18	5023413	1	Pump Shaft Kit (Blind 15mm Keyway W/ Std Charge) (Includes Ref. Nos. 19)	
19	--	1	Ball Bearing 17 x 40 x 12 (Not a Serviceable Part)	<i>Not a serviceable part.</i>
20	5023414	1	Lip Seal 17 x 40 x 7 PTC	
21	5023415	1	Spacer	
22	5023416	1	Retaining Ring	
25	5023417	1	Cylinder Block Kit	
29	5023418	1	Block Spring	
30	5023419	1	Block Thrust Washer	
31	5023420	1	Valve Plate (Steel N-Tec:Black)	
32	5023421	1	Swashplate	
34	5023422	1	Ball Thrust Bearing	
37	5023423	1	Trunnion Arm, Tapered Square	
38	5023424	1	Slot Guide	
42	5023425	2	Check Valve Kit (0.031"Orifice)	
44	5023426	1	Charge Relief Valve Kit (1/4" Plastic Ball & Spring)	
49	5023427	1	Trunnion Seal / Retainer Kit	
56	5023428	1	Straight Thread Plug	
66	--	1	5/16" SAE Plug (Not a Serviceable Part)	<i>Not a serviceable part.</i>
100	5023429	1	Overhaul Seal Kit	<i>Not Shown</i>
101	--	1	Spacer RTN (Not a Serviceable Part)	<i>Not a serviceable part.</i>
102	--	1	Spring, Extension (Not a Serviceable Part)	<i>Not a serviceable part.</i>
103	--	1	Screw, 5/16 x .875 (Patch) (Not a Serviceable Part)	<i>Not a serviceable part.</i>
104	--	2	Washer .34 x .88 x .06 (Not a Serviceable Part)	<i>Not a serviceable part.</i>
105	--	1	Washer, Nylon (Not a Serviceable Part)	<i>Not a serviceable part.</i>
106	--	1	Nut, Hex Lock 5/16-24 UNF (Not a Serviceable Part)	<i>Not a serviceable part.</i>
107	--	1	Spacer (Not a Serviceable Part)	<i>Not a serviceable part.</i>
110	5023430	1	Kit, RTN, STD (Includes Ref. Nos. 94, 98, 100, 101, 102, 103, 104, 104, 105, 106 & 107)	

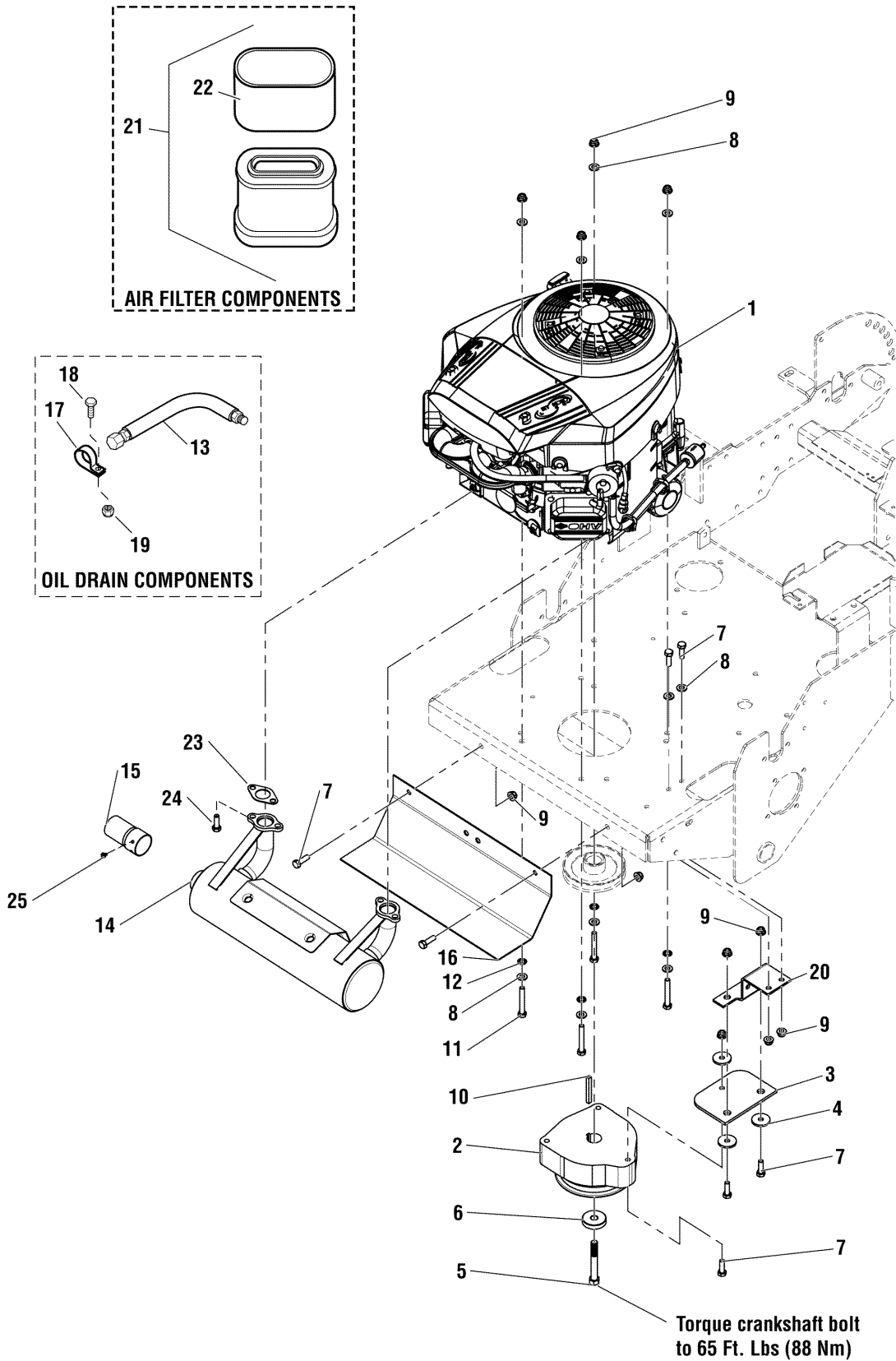
Footnotes:

Engine & PTO Group - BRIGGS & STRATTON

Item	Part No	Qty	Description	Note
1	--	1	* ENGINE, 20HP B&S Model 358777-0280-E1	
2	5023187	1	MUFFLER	
3	5025392	6	NUT, HEX NYLOCK FLANGE, 5/16-18	
4	5025011X6	6	BOLT, 5/16-18 X 3/4	
5	5025155	13	WASHER, SAE, 5/16	
6	5048262D	2	BRACKET, MUFFLER SUPPORT	
7	5025057	7	NUT, HEX NYLON LOCK, 5/16-18	
8	5044617	3	WASHER, CLUTCH ANCHOR, 5/16	
9	5043636	1	CLUTCH ANCHOR PAD	
10	5050407X18	1	KEY, 1/4 SQ. X 2-1/4	
11	5023100	1	CLUTCH, ELECTRIC	
12	5042132	1	SPACER, .45 X 1.62 X .37	
13	5023253	1	BOLT, CRANKSHAFT, 7/16 X 3-1/4	
14	5021030	1	TIE WRAP	
15	5048226D	1	CLUTCH ANCHOR	
16	5025011X14	4	BOLT, 5/16-18 X 1-3/4	
17	5025188	1	WASHER, 5/16 INT TOOTH LOCK	
18	5025011X8	3	BOLT, 5/16-18 X 1	
19	5401071D	1	PLATE, HEAT SHIELD	
20	5048681	1	HOSE, OIL DRAIN	(Not Shown)
21	5050833X6	1	WIRE LOOM, OIL DRAIN	(Not Shown)
22	5021500	1	CLAMP, VINYL INSULATED	(Not Shown)

Footnotes:

Note: * See your local Briggs & Stratton distributor for parts & service.

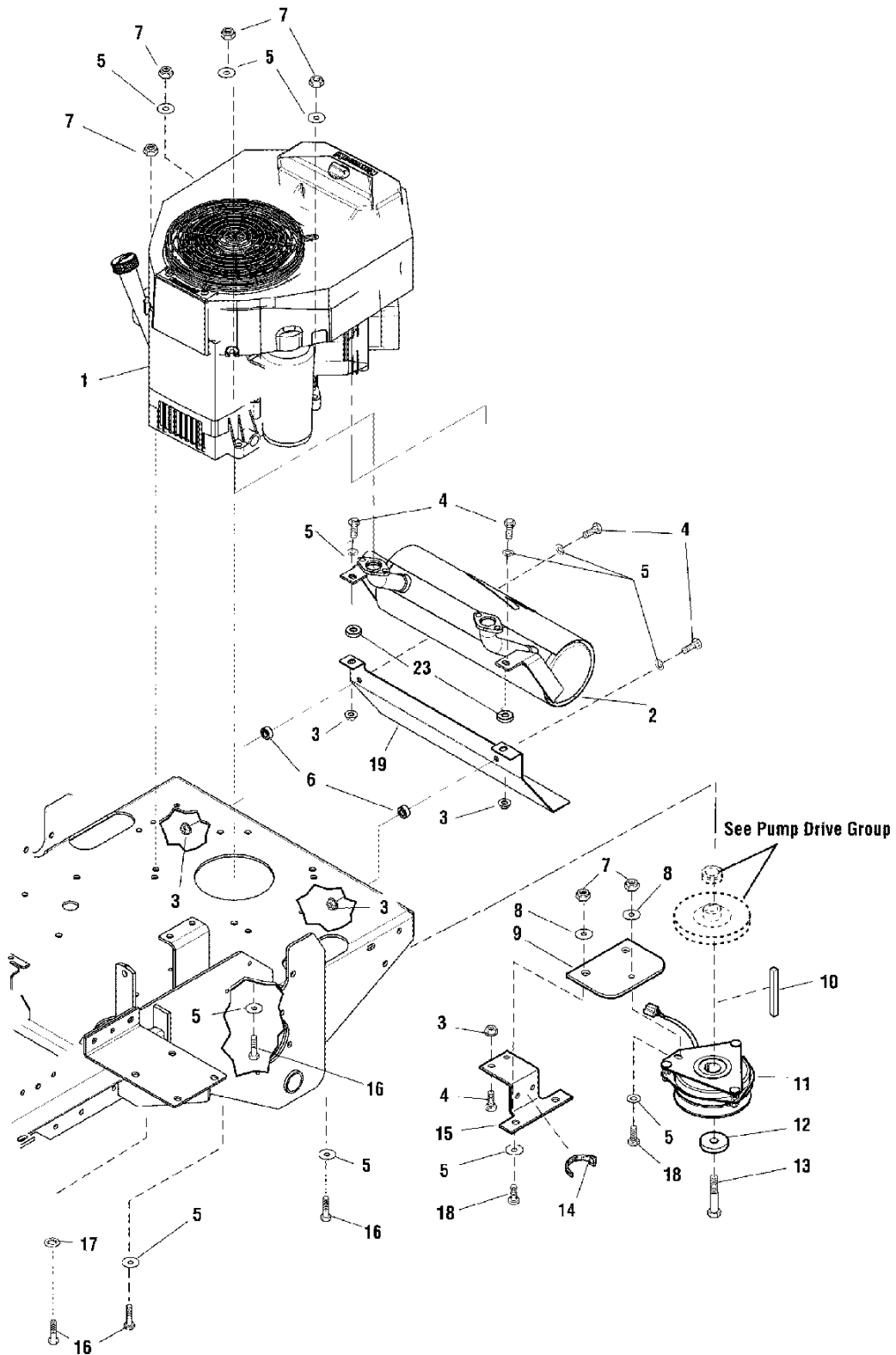


Engine & PTO Group - 24 HP Briggs & Stratton

Item	Part No	Qty	Description	Note
1	--	1	* ENGINE-24HP B&S, ELS #44M777-0113-E1	
2	5023100	1	CLUTCH, ELECTRIC, 1" SHAFT	
3	5043636	1	CLUTCH ANCHOR PAD	
4	5044617	3	WASHER, .34 X 1.25 X 10GA	
5	5023253	1	BOLT, CRANKSHAFT, 7/16-20 X 3-1/4" YZ	
6	5042132	1	SPACER, .45 X 1.62 X .37	
7	5025011X8	7	BOLT, 5/16-18 X 1" GD5	
8	5025155	10	WASHER, 5/16" SAE	
9	5025392	11	NUT, 5/16-18 HEX NYLOCK FLANGE	
10	5050407X18	1	KEY, 1/4" SQ. X 3-1/2"	
11	5025011X18	4	BOLT, 5/16-18 X 2-1/4" GD5	
12	5025188	4	WASHER, 5/16" INT. TOOTH LOCK	
13	5048681	1	HOSE, OIL DRAIN	
14	5100907	1	MUFFLER, 22HP B&S - ELS - IS500Z	
15	5100969	1	EXTENSION, TAILPIPE, 3"	
16	5401071D	1	PLATE, HEAT SHIELD	
17	5021500	1	CLAMP, VINYL INSULATED	
18	5025010X6	1	BOLT, 1/4-20 X 3/4" GD5	
19	5025391	1	NUT, 1/4-20 HEX NYLOCK FLANGE	
20	5048226D	1	ANCHOR, CLUTCH	
21	792105	1	AIR CLEANER W / PRE CLEANER (SV)	(INCLUDES REF. NO. 22)
22	792303	1	PRE CLEANER (SV)	
23	273485	2	GASKET, EXHAUST	
24	94480	4	SCREW, SEM HEX HEAD	
25	5021808X8	2	SCREW	

Footnotes:

NOTE* Purchase engine parts from engine manufacturer dealer.

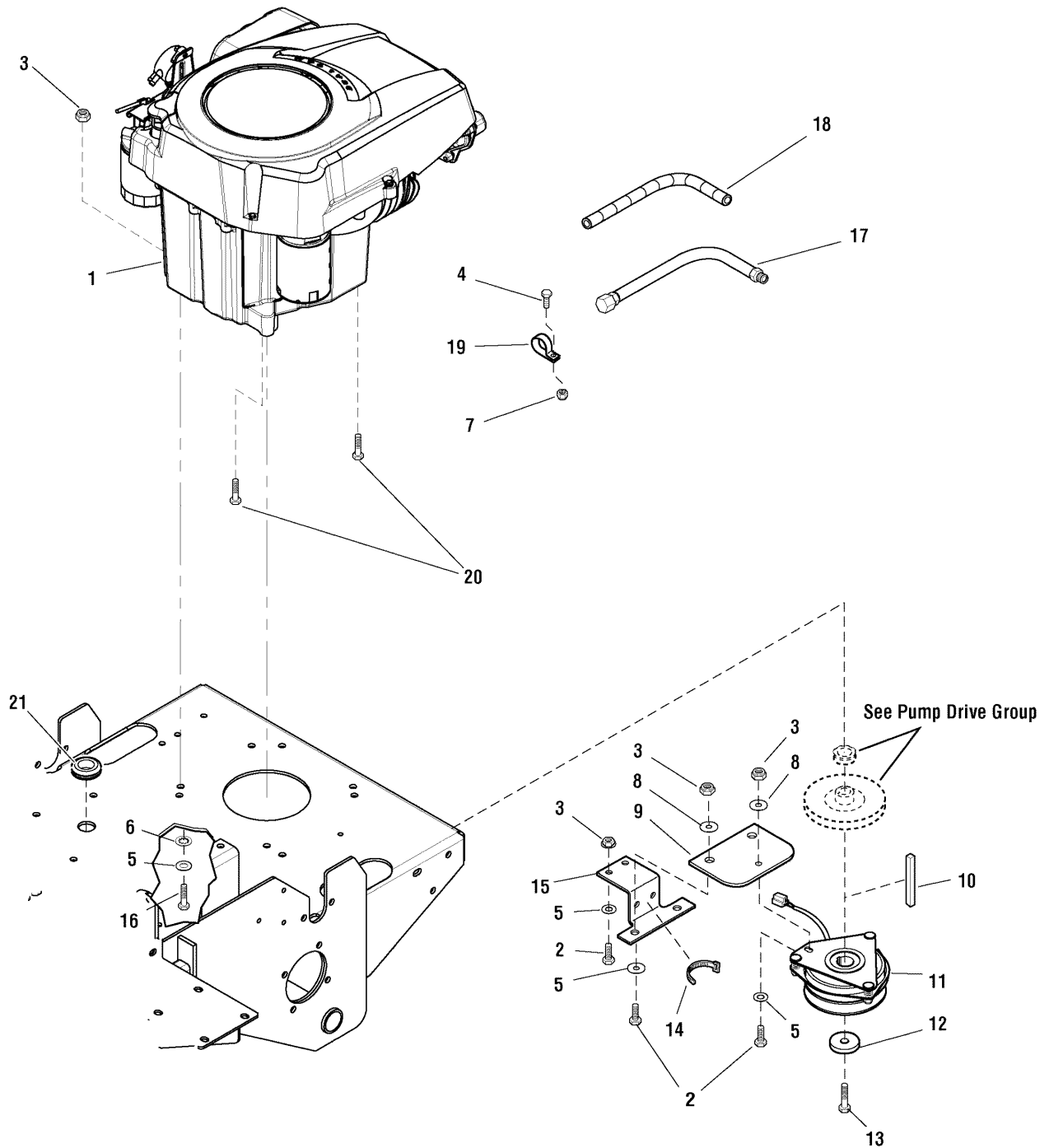


Engine & PTO Group - KAWASAKI

Item	Part No	Qty	Description	Note
1	--	1	* ENGINE, 19HP KAWASAKI	
2	5101125	1	MUFFLER	
3	5025392	6	NUT, HEX NYLOCK FLANGE, 5/16-18	
4	5025011X6	6	BOLT, 5/16-18 X 3/4	
5	5025155	13	WASHER, SAE, 5/16	
6	5044933	2	SPACER, .39 X .75 X .38	
7	5025057	7	NUT, HEX NYLON LOCK, 5/16-18	
8	5044617	3	WASHER, CLUTCH ANCHOR, 5/16	
9	5043636	1	CLUTCH ANCHOR PAD	
10	5050407X18	1	KEY, 1/4 SQ. X 2-1/4	
11	5023100	1	CLUTCH, ELECTRIC	
12	5042132	1	SPACER, .45 X 1.62 X .37	
13	5023253	1	BOLT, CRANKSHAFT, 7/16 X 3-1/4	
14	5021030	1	TIE WRAP	
15	5048226D	1	CLUTCH ANCHOR	
16	5025011X14	4	BOLT, 5/16-18 X 1-3/4	
17	5025188	1	WASHER, 5/16 INT TOOTH LOCK	
18	5025011X8	3	BOLT, 5/16-18 X 1	
19	5400870D	1	PLATE, HEAT SHIELD	
20	5048681	1	HOSE, OIL DRAIN	(Not Shown)
21	5050833X6	1	WIRE LOOM, OIL DRAIN	(Not Shown)
22	5021500	1	CLAMP, VINYL INSULATED	(Not Shown)
23	5044960	2	SPACER, .39 X 1.00 X .38	

Footnotes:

Note: * See your local Kawasaki distributor for parts & service.



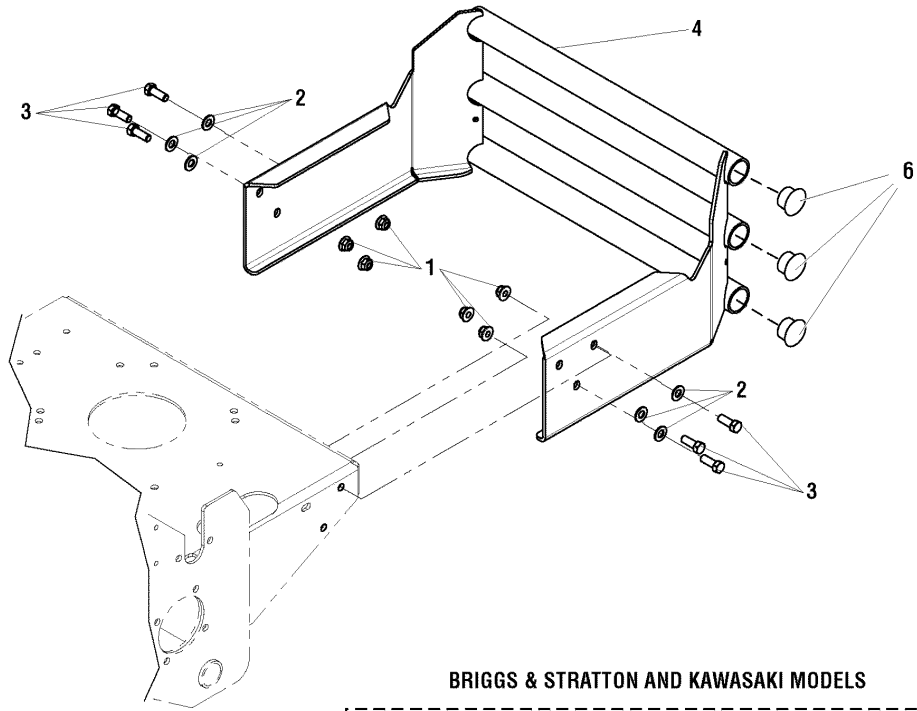
Engine & PTO Group - KOHLER

Item	Part No	Qty	Description	Note
1	--	1	* ENGINE, 18HP KOHLER Model SV540S, PS-552725	
2	5025011X8	5	BOLT, 5/16-18 X 1	
3	5025392	6	NUT, HEX NYLOCK FLANGE, 5/16-18	
4	5025011X6	1	BOLT, 5/16-18 X 3/4	
5	5025155	6	WASHER, SAE, 5/16	
6	5025188	1	WASHER, 5/16 INT TOOTH LOCK	
7	5025126	1	NUT, 1/4-20 HEX SERR. FLANGE	
8	5044617	3	WASHER, CLUTCH ANCHOR, 5/16	
9	5043636	1	CLUTCH ANCHOR PAD	
10	5050407X18	1	KEY, 1/4 SQ. X 2-1/4	
11	5023100	1	CLUTCH, ELECTRIC	
12	5042132	1	SPACER, .45 X 1.62 X .37	
13	5023253	1	BOLT, CRANKSHAFT, 7/16 X 3-1/4	
14	5021029	1	TIE WRAP, 11" LONG	
15	5048226D	1	CLUTCH ANCHOR	
16	5025011X14	1	BOLT, 5/16-18 X 1-3/4" GD5 YZ	
17	5048681	1	HOSE, OIL DRAIN	
18	5050833X6	1	WIRE LOOM, OIL DRAIN	
19	5021500	1	CLAMP, VINYL INSULATED	
20	5100399	3	BOLT, 3/8-16 X 1", SELF-TAPPING	
21	5023236	1	GROMMET, 3/4"	

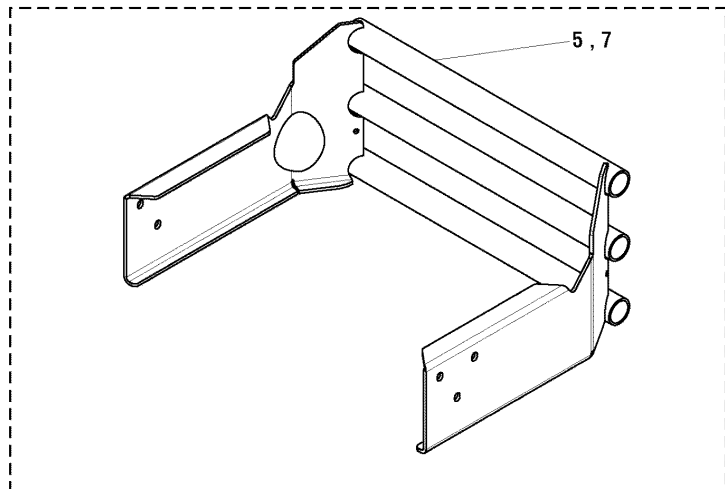
Footnotes:

Note: * See your local Kohler distributor for parts & service.

KOHLER MODEL



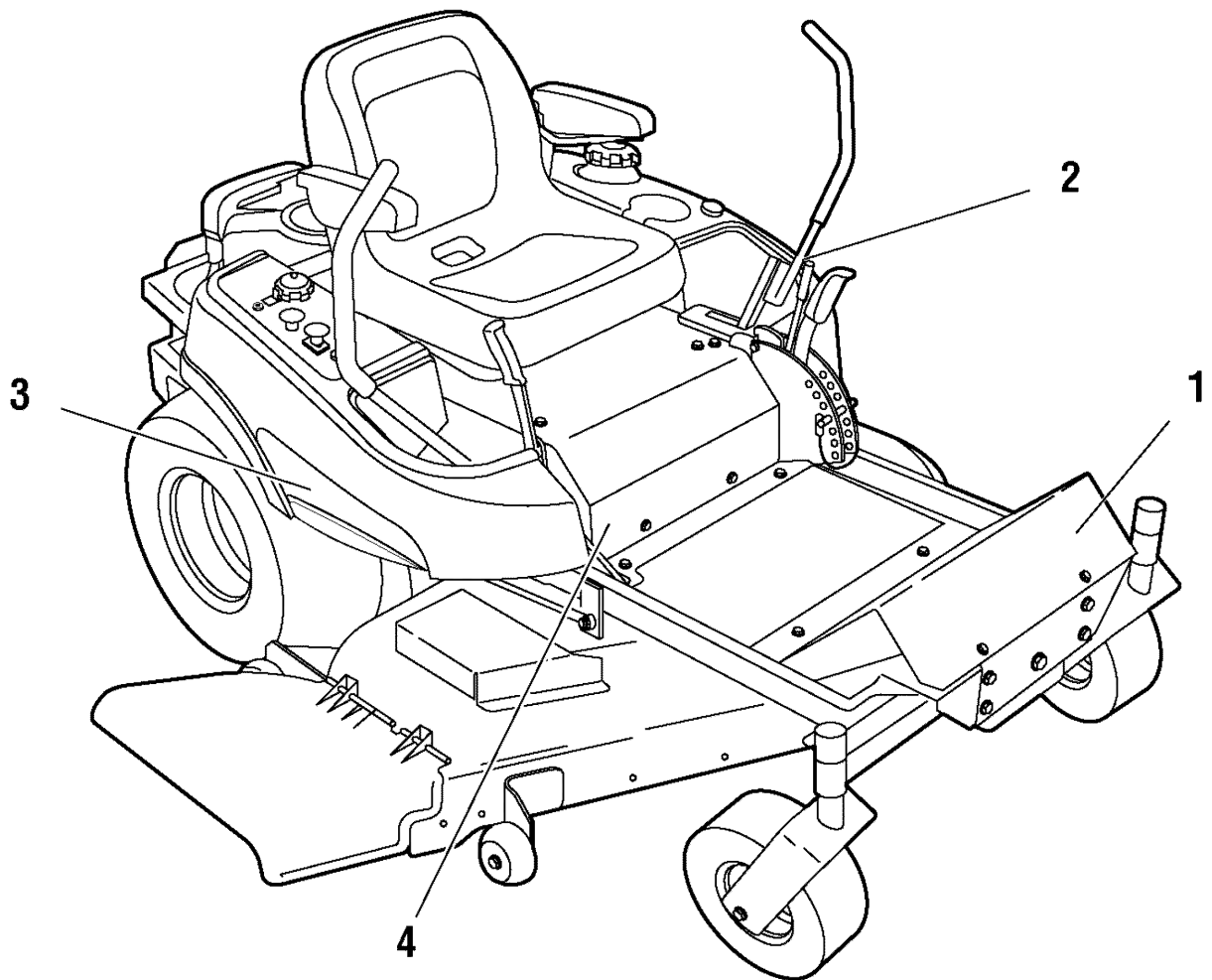
BRIGGS & STRATTON AND KAWASAKI MODELS



Bumper Group

Item	Part No	Qty	Description	Note
1	5025394	6	NUT, 3/8-16 HEX NYLOCK FLANGE	
2	5025156	6	WASHER 3/8" SAE	
3	5025013X8	6	BOLT, 3/8-16 X 1" GD5	
4	5400356D	1	WELD, BUMPER, SNAPPER Z	<i>(For Models with Kohler Engines)</i>
5	5401074D	1	WELD, BUMPER, SNAPPER Z	<i>(For Models with 20 HP Briggs & 19 HP Kawasaki Engines)</i>
6	5023484	6	PLUG, PANEL, 1.25 BLACK	
7	5403489D	1	WELD, BUMPER, SNAPPER Z	<i>(For Models with 24 HP Briggs & Stratton Engines)</i>

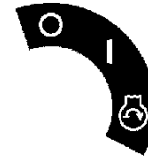
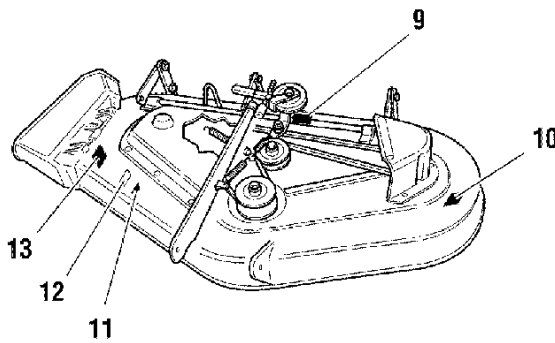
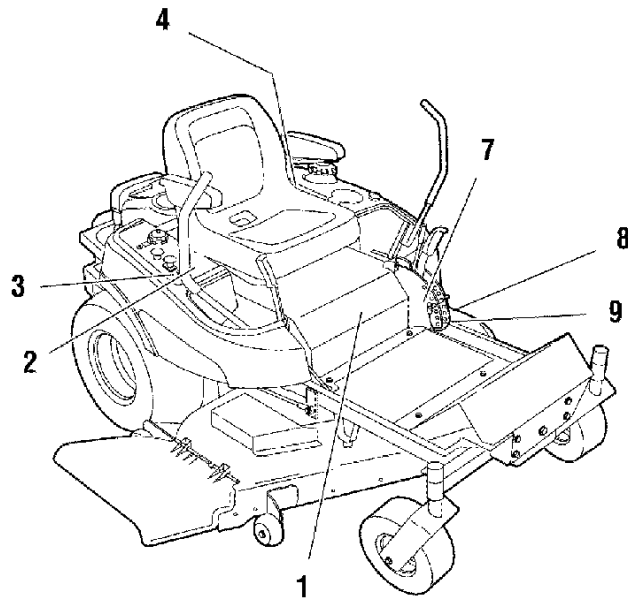
Footnotes:



Decals Group - Brand & Model

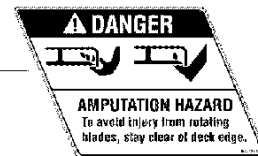
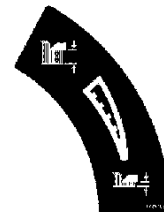
Item	Part No	Qty	Description	Note
1	1731955	1	DECAL, SNAPPER, SILVER & BLACK, 8.5"	
2	5100476	1	DECAL, STRIPE, LH, SNAPPER	
3	5100477	1	DECAL, STRIPE, RH, SNAPPER	
4	5101328	1	DECAL, 400Z 24HP	<i>(24 HP Models Only)</i>

Footnotes:



Tractor Belts & Blades	
Pump Drive Belt	5022901
44" Mower Deck Drive Belt	5023256
Mower Blade	1704108
50" Mower Deck Drive Belt	5072955
Mower Blade	1706228

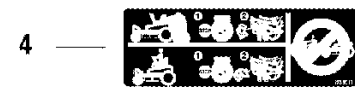
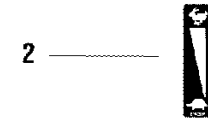
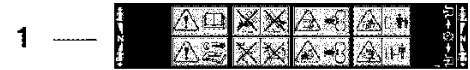
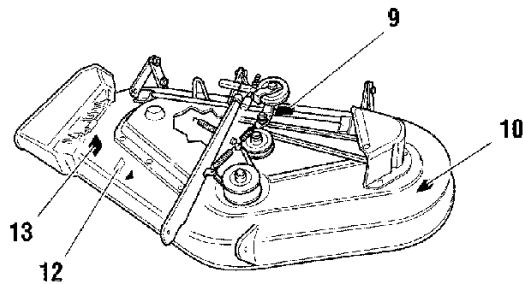
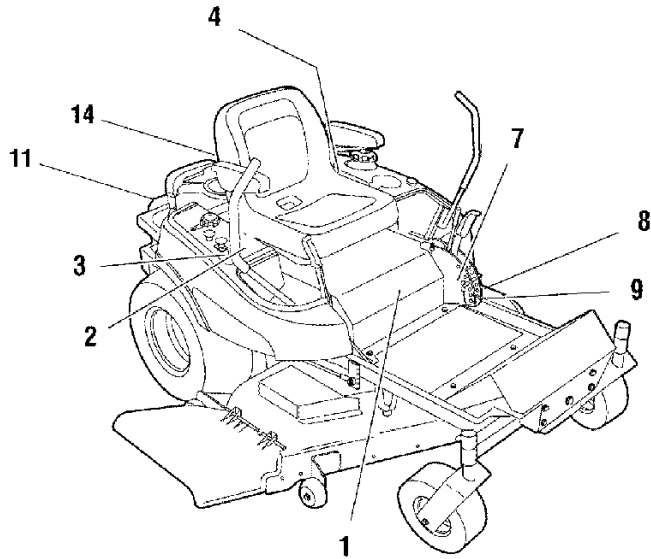
TOUCH-UP PAINT PART NUMBERS	
12 Oz. Spray Can Paint	
Red	1686772
Solar Black	1686773



Decals Group - Safety & Common

Item	Part No	Qty	Description	Note
1	5100252	1	DECAL, MAIN	
2	5100280	1	DECAL, THROTTLE CONTROL	
3	5048970	1	DECAL, IGNITION SWITCH	
4	1725941	1	DECAL, CZT HYDRO RELEASE	
5	5048907	1	DECAL, BELT & BLADE	<i>(Located Under Seat)</i>
6	1725072	1	DECAL-TOUCH UP PAINT	<i>(Located Under Seat)</i>
7	1725703	1	DECAL, HEIGHT OF CUT	
8	--	1	DECAL, US PATENT, ZTR	<i>Not a serviceable part.</i>
9	--	1	DECAL, ID PLATE	<i>Not a serviceable part.</i>
10	5100136	1	DECAL, DANGER, MOWER	
11	--	1	DECAL-OPEI CERTIFIED ANSI B71.12003 GOLD	<i>Not a serviceable part.</i>
12	1722789	1	DECAL-44"- SILVER ON BLACK W/STRIPE	
12	1722790	1	DECAL-50"- SILVER ON BLACK W/STRIPE	
13	5100137	1	DECAL, DANGER, MOWER DISCHARGE	

Footnotes:

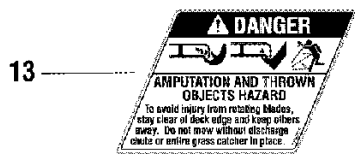
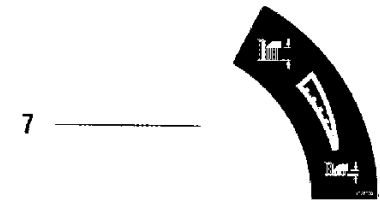


5 —

Tractor Bells & Blades	
Pump Drive Belt	9022981
48" Mower	5022505
Deck Drive Belt	1704100
Mower Blade	5022505
50" Mower	5022505
Deck Drive Belt	1706228
Mower Blade	1706228

6 —

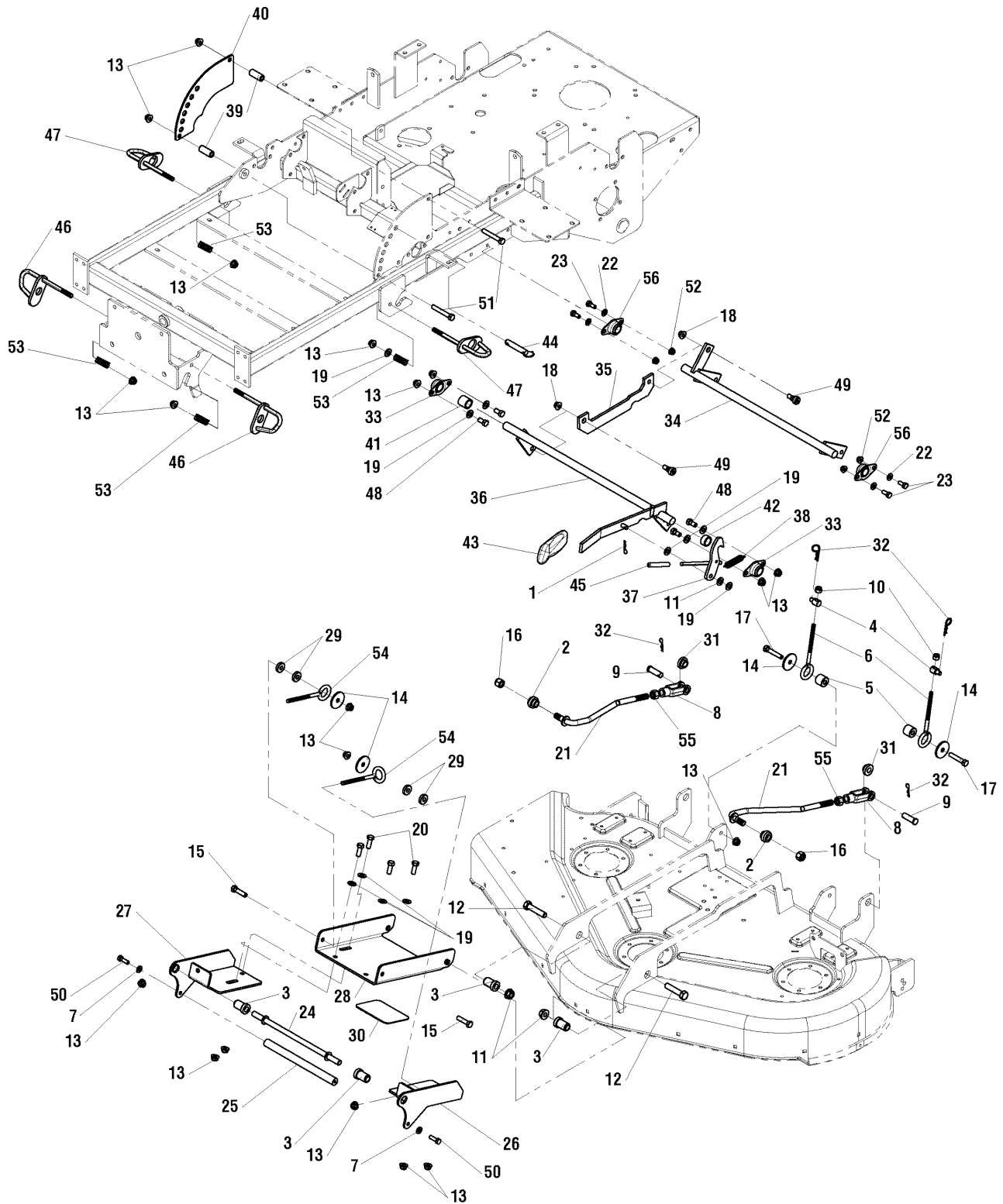
TOUCH-UP PAINT PART NUMBERS	
12 Oz. Spray Can Paint	
Red	1665772
Solar Black	1665778



Export Decals Group - Safety & Common

Item	Part No	Qty	Description	Note
1	5061108	1	DECAL, MAIN CE	
2	5100280	1	DECAL, THROTTLE CONTROL	
3	5048970	1	DECAL, IGNITION SWITCH	
4	1725941	1	DECAL, CZT HYDRO RELEASE	
5	5048907	1	DECAL, BELT & BLADE	<i>(Located Under Seat)</i>
6	1725072	1	DECAL-TOUCH UP PAINT	<i>(Located Under Seat)</i>
7	1725703	1	DECAL, HEIGHT OF CUT	
8	--	1	DECAL, US PATENT, ZTR	<i>Not a serviceable part.</i>
9	--	1	DECAL, ID PLATE	<i>Not a serviceable part.</i>
10	5061042	2	DECAL, CE DANGER	
11	1704473	1	DECAL, HOT	
12	1722789	1	DECAL-44"- SILVER ON BLACK W/STRIPE	
12	1722790	1	DECAL-50"- SILVER ON BLACK W/STRIPE	
13	1720389	2	DECAL-DANGER ROTATING BLADE SYMBOLS	
14	5061217	1	DECAL, DANGER, CE	

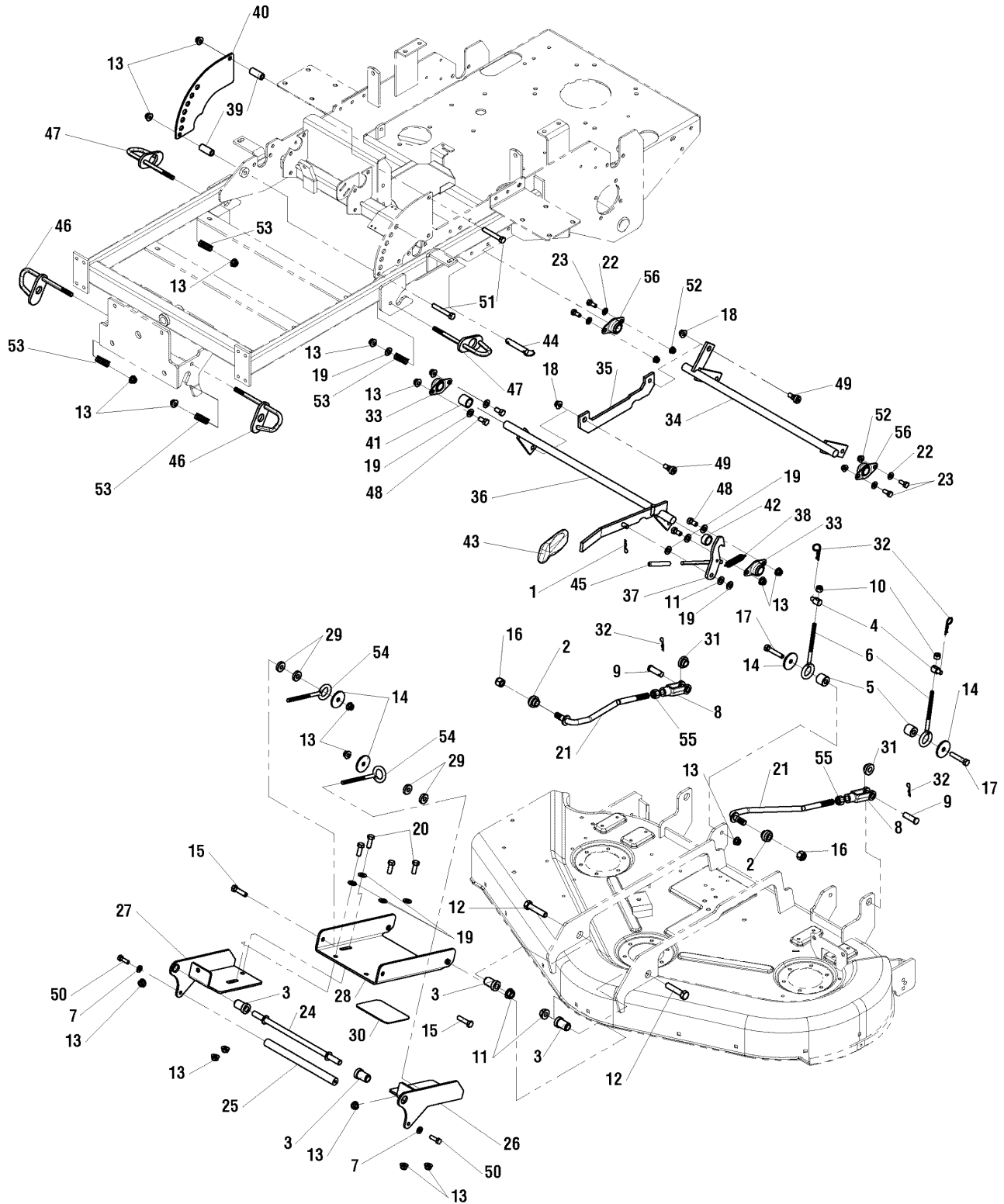
Footnotes:



Lift Group

Item	Part No	Qty	Description	Note
1	5025203X6	1	PIN, Cotter, 1/8" X 3/4"	
2	5100351	2	BUSHING, REAR QUICK TACH	
3	5100144	4	SPACER, .53 X 1.00 X 1.44	
4	5045947	2	ADJUSTER, BRAKE LINKAGE	
5	5047125	2	SPACER, .39 X 1.00 X .88	
6	5021812	2	EYE BOLT, 3/8-16 X 6" , 1" EYE	
7	5025210	2	3/32 X 1-5/8 HAIR PIN CLIP N/A	
8	5023174	2	CLEVIS , 1/2-20, STEEL	
9	5025328X12	2	PIN CLEVIS 1/2" X 1-1/4"	
10	5025096	2	NUT, 3/8-16 HEX NYLON LOCK	
11	5023202	1	WASHER, WAVE, M10	
12	5025018X20	2	BOLT, 1/2-20 X 2-1/2" GD5	
13	5025394	20	NUT, 3/8-16 HEX NYLOCK FLANGE	
14	5025305	4	WASHER, .41 X 1.75 X .14	
15	5025013X12	2	BOLT, 3/8-16 X 1-1/2" GD5	
16	5025098	4	NUT, 1/2-20 HEX NYLON LOCK	
17	5025013X16	2	BOLT, 3/8-16 X 2" GD5	
18	5025128	2	NUT, 3/8-16 HEX SERRATED FLANGE	
19	5025156	6	WASHER 3/8" SAE	
20	5025013X8	4	BOLT, 3/8-16 X 1" GD5	
21	5100170	2	ROD, DECK LIFT, LINKAGE	
22	5025155	4	WASHER, 5/16" SAE	
23	5025011X8	4	BOLT, 5/16-18 X 1" GD5	
24	5100177	1	SHAFT, HANGER	
25	5100135	1	SHAFT, HANDLE, DECK SUPPORT	
26	5400391D	1	WELD, DECK HANGER, LH	
27	5400392D	1	WELD, DECK HANGER, RH	
28	5400382D	1	PLATE, DECK HANGER SUPPORT	
29	5044960	4	SPACER, .39 X 1.00 X .25	
30	5044875	1	SAFETY WALK, 4.50 X 3.50	
31	5048258	2	BUSHING, DECK SUPPORT	
32	5025210	4	HAIRPIN	
33	5021098	2	BEARING, BRONZE FLANGE 3/4"	
34	5048711D	1	WELD, DECK LIFT HANGER REAR	
35	5048733D	1	LINK, DECK LIFT SHAFT	
36	5400872D	1	WELD, DECK HEIGHT SHAFT	
37	5048884D	1	WELD, DECK LOCK	

Footnotes:

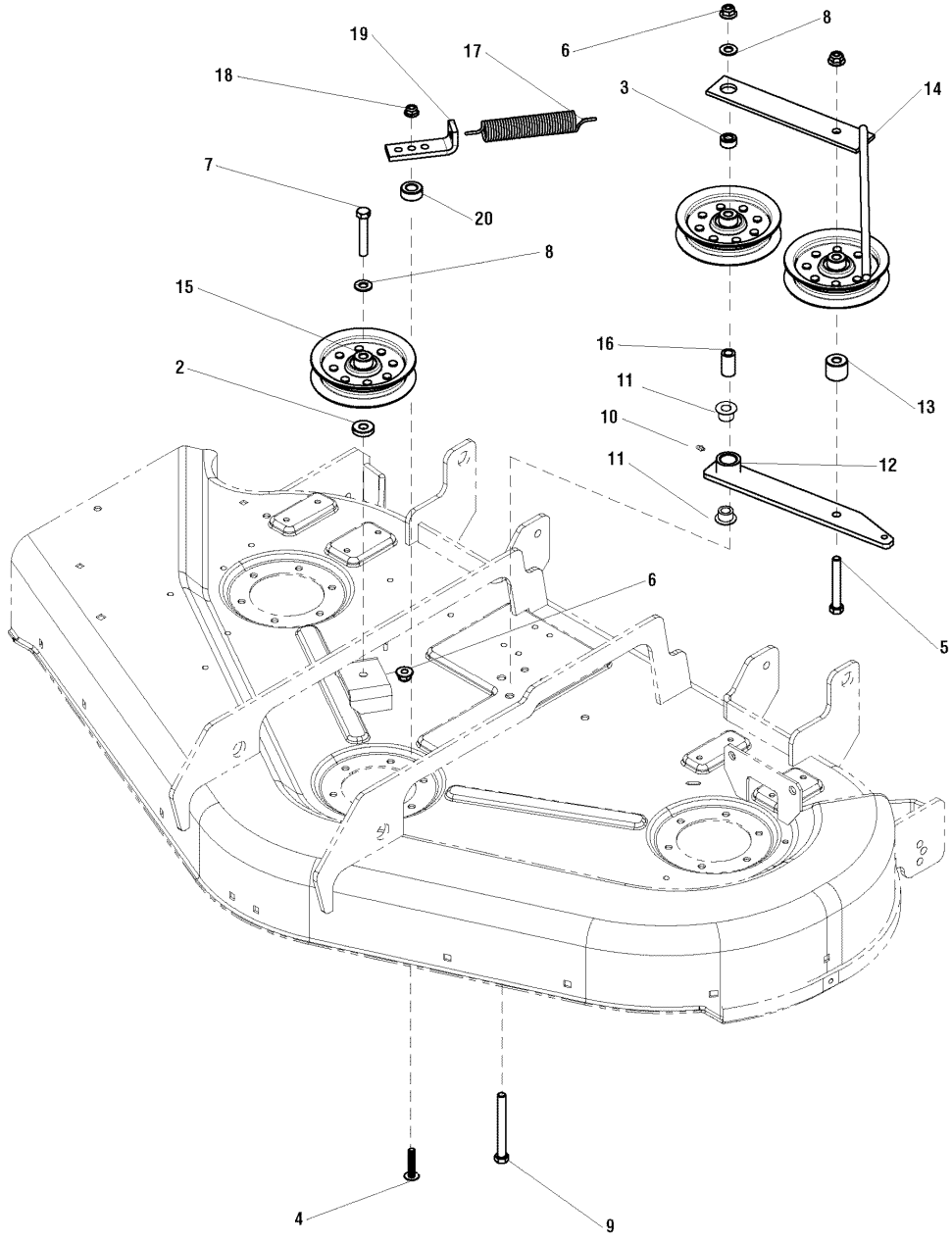
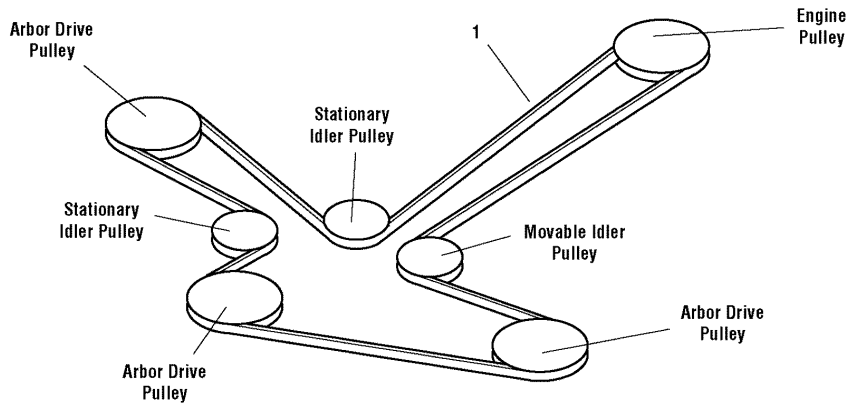


Lift Group

Item	Part No	Qty	Description	Note
38	5020639	1	SPRING, EXTENSION	
39	5048264	2	SPACER, .63 X .39 X 1.50	
40	5400370D	1	PLATE, INNER DECK HEIGHT	
41	5048335	1	SPACER, .76 X 1.00 X 1.00	
42	5046092	1	SPACER, .76 X 1.00 X .50	
43	5100171	1	GRIP, BLACK FLEXIBLE	
44	5100179	1	HITCH PIN, 1/2" X 2-1/2"	
45	5023198	1	COVER, VINYL HANDLE	
46	5400401D	2	WELD, QUICK RELEASE HANDLE, FRONT	
47	5400839D	2	WELD, QUICK RELEASE HANDLE, REAR	
48	5025013X6	4	BOLT, 3/8-16 X 3/4" GD5	
49	5025356	2	SHOULDER BOLT, 3/8-16 X 1/2 X 3/8	
50	5025011X6	2	BOLT, 5/16-18 X 3/4" GRD5	
51	5025013X20	2	BOLT, 3/8-16 X 2-1/2" GD5	
52	5025392	4	NUT, 5/16-18 HEX NYLOCK FLANGE	
53	5021102	4	SPRING, COMPRESSION	
54	5023497	2	EYE BOLT, 3/8-16 X 5", 1" EYE	
55	5025089	2	NUT, 1/2-20 HEX JAM	
56	5100561	2	BEARING, BRONZE FLANGE, 3/4"	

Footnotes:

44" & 50" Mower Deck - Belt & Idler Group

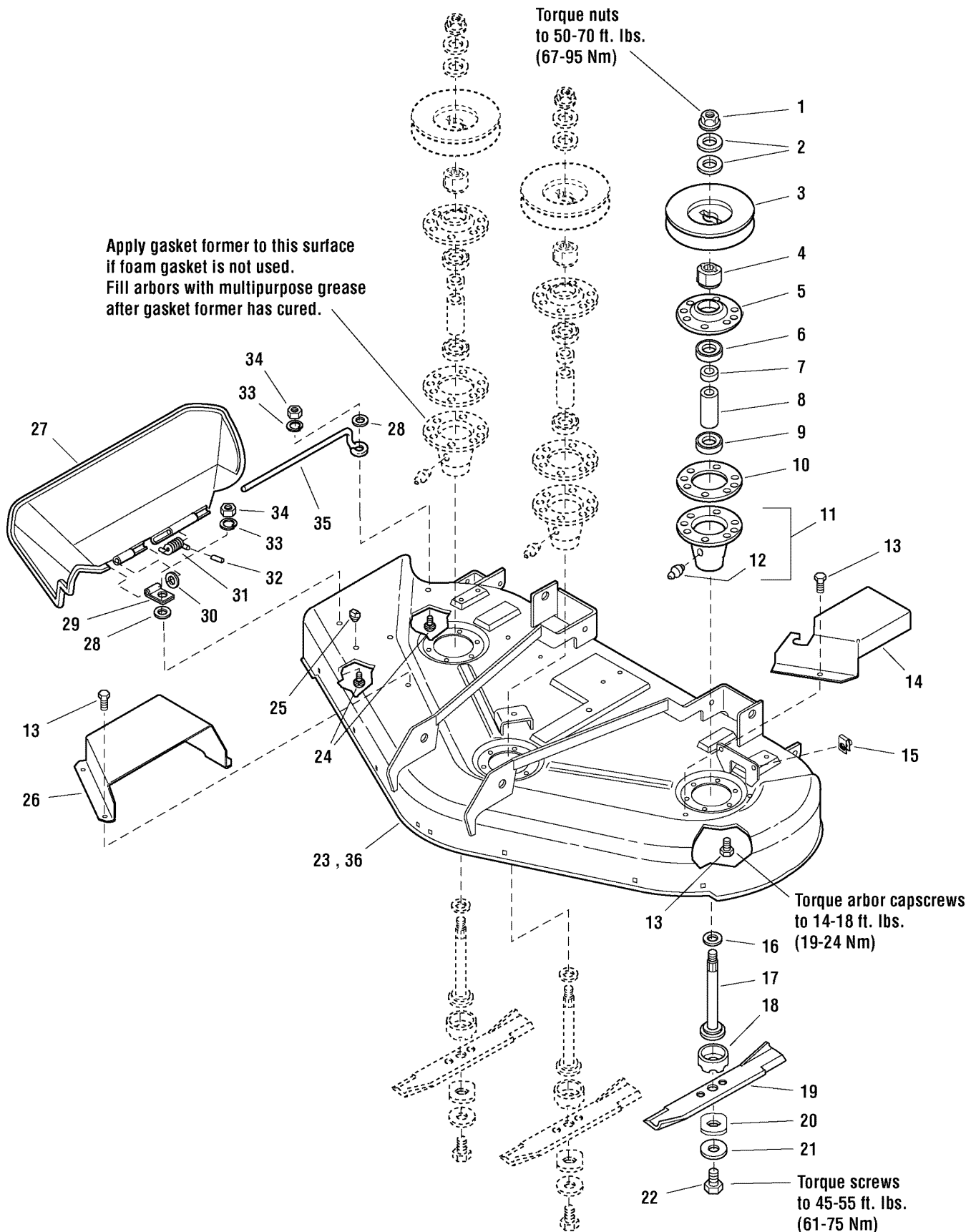


44" & 50" Mower Deck - Belt & Idler Group

Item	Part No	Qty	Description	Note
1	5023255	1	BELT (155" E. L. For 50" Deck)	
1	5023256	1	BELT (151" E. L. For 44" Deck)	
2	5044960	1	SPACER, .39 X 1.00 X .25	
3	5044933	1	SPACER, .39 X .75 X .38	
4	5023157	1	BOLT, 5/16-18 X 1-1/2" FLANGE	
5	5025013X22	1	BOLT, 3/8-16 X 2-3/4" GD5	
6	5025394	3	NUT, 3/8-16 HEX NYLOCK FLANGE	
7	5025013X18	1	BOLT, 3/8-16 X 2-1/4" GD5	
8	5025156	2	WASHER 3/8" SAE	
9	5025013X28	1	BOLT, 3/8-16 X 3-1/2" GD5	
10	5020095	1	FITTING, Grease	
11	1676148	2	BUSHING, 5/8 X 3/4 X 13/32, POWDER METAL	
12	5400398D	1	ASSM, IDLER ARM 44" SIMPLICITY	
13	5047125	1	SPACER, .39 X 1.00 X .88	
14	5400402	1	WELD, MOUNT, IDLER, TENSION	
15	5049003	3	ASSM, PULLEY IDLER	
16	1674669	1	Spacer	
17	1715435	1	SPRING, EXTEN, 1.0 OD, 6" LG, .118	
18	5025392	1	NUT, 5/16-18 HEX NYLOCK FLANGE	
19	5048383D	1	ANCHOR, SPRING	
20	5045023	1	SPACER, .52 X 1.00 X .44	

Footnotes:

44" & 50" Mower Deck - Housing, Arbors & Blades Group

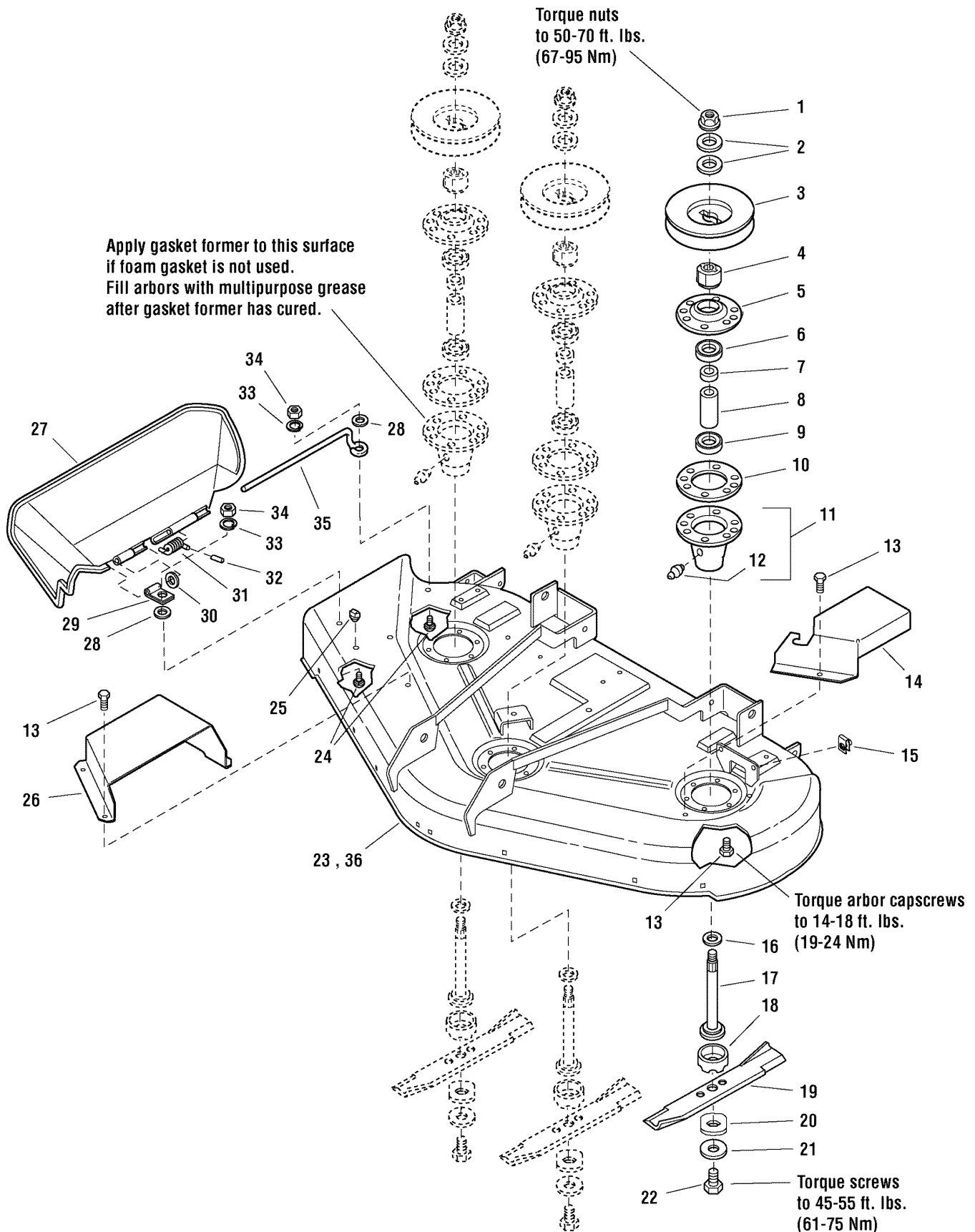


44" & 50" Mower Deck - Housing, Arbors & Blades Group

Item	Part No	Qty	Description	Note
1	1714419	3	NUT, HEX FLANGE, 9/16-18	
2	1713675	6	WASHER, BELLEVILLE, 9/16	
3	1713161	3	PULLEY	
4	1713613	3	HUB	
5	1655729A	3	COVER, ARBOR HOUSING	
6	2108202	3	BEARING, BALL, 3/4 X 1-3/4 X 5/8	
7	1715724	3	SPACER, 21/32 X 3/4 X 5/8	
8	1715723	3	SPACER, 11/16 X 5/32 X 2-11/16	
9	1705897	3	BEARING, BALL, 11/16 X 1-9/16 X 15/32	
10	1707335	3	SEAL, FOAM	
11	1713338	3	ARBOR HOUSING ASSEMBLY	(Includes Ref No. 12)
12	1704314	3	FITTING, GREASE	
13	1664847	24	BOLT TAPTITE, 5/16-18 X 3/4	
14	5400403D	1	COVER, ARBOR, LH	
15	5022308	2	BODY CLIP, 5/16-18	
16	1713619	3	WASHER, 9/16, BLACK	
17	1713609	3	SHAFT, ARBOR	
18	1713196	3	SHIELD, GRASS, LOWER	
19	1704100A	3	BLADE, MOWER, 16-1/8	(For 44" Deck)
19	1708229A	3	BLADE, MOWER, 18-1/8	(For 50" Deck)
20	1713089	3	WASHER, HEX, 11/16 X 2	
21	1656916	3	WASHER, SPRING, 15/32, BLACK	
22	2923471	3	BOLT, 7/16-14 X 1-1/4	
23	5600107	1	DECK SHELL W/DECALS, 44" MOWER	(includes decals)
23	5600109	1	DECK SHELL W/DECALS, 50" MOWER	(includes decals)
24	1931318	2	CARRIAGE BOLT, 1/4-20 X 7/8	
25	1705115	1	PLUG, HOLE	
26	5401091D	1	COVER, ARBOR, RH	
27	1705449	1	DEFLECTOR, PLASTIC	
28	1960353	2	WASHER, 1/4, BLACK	
29	1704873	1	CLAMP	
30	1919326	1	WASHER, 5/16, BLACK	
31	1723938	1	SPRING	
32	1723323	1	VINYL CAP	
33	1916964	2	WASHER, LOCK, 1/4	
34	1916622	2	NUT, HEX, 1/4-20	
35	5049245A	1	ROD, DEFLECTOR	

Footnotes:

44" & 50" Mower Deck - Housing, Arbors & Blades Group

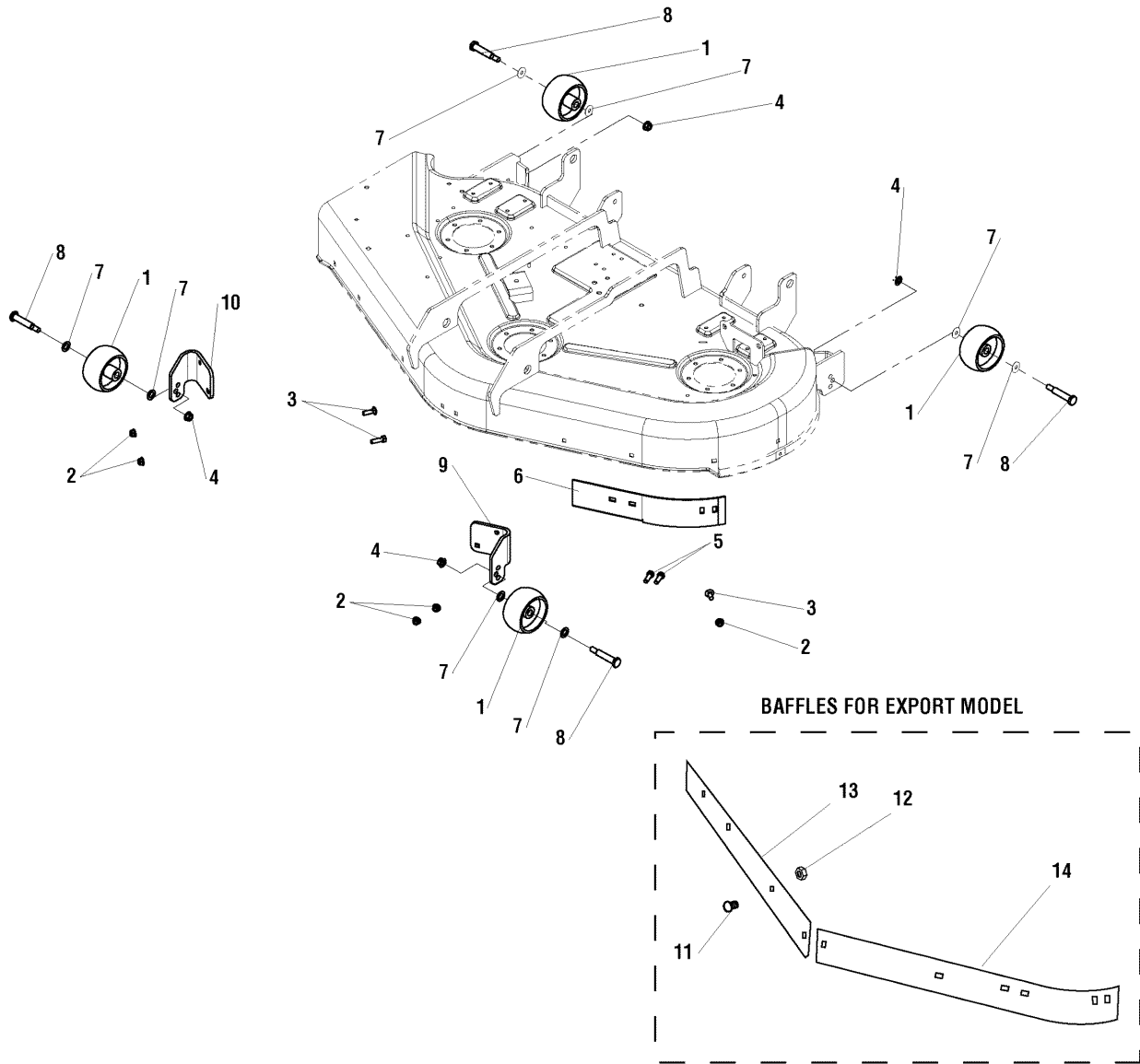


44" & 50" Mower Deck - Housing, Arbors & Blades Group

Item	Part No	Qty	Description	Note
36	5403498D	1	WELD, MOWER DECK, 50", 400Z MODELS	(24 HP MODELS ONLY)

Footnotes:

44" & 50" Mower Deck Roller Group

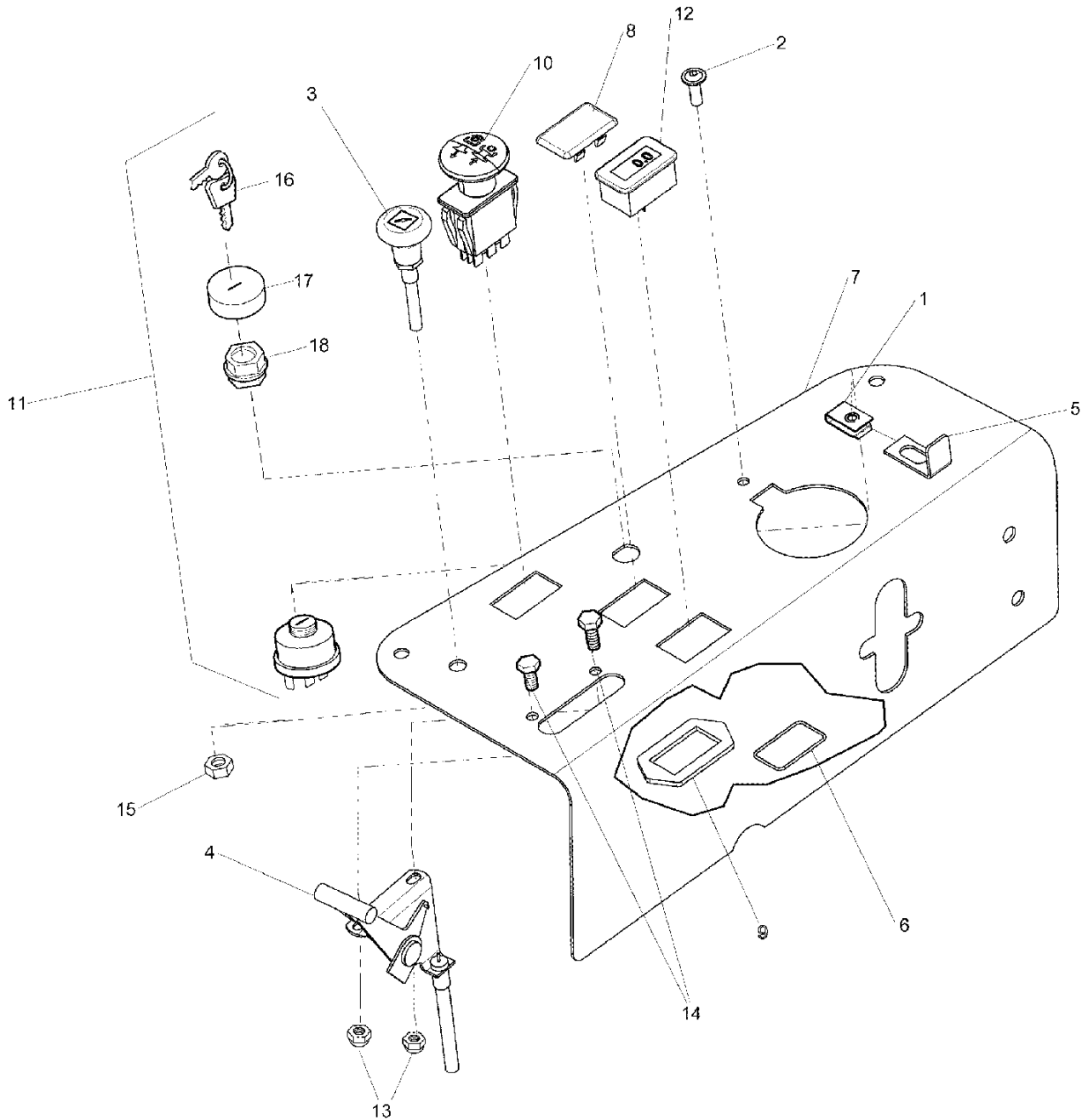


44" & 50" Mower Deck Roller Group

Item	Part No	Qty	Description	Note
1	1714760	4	GAUGE WHEEL	
2	5025392	5	NUT, 5/16-18 HEX NYLOCK FLANGE	
3	5025145X6	3	CARRIAGE BOLT, 5/16-18 X 3/4	
4	5025394	4	NUT, 3/8-16 HEX NYLOCK FLANGE	
5	5025145X8	2	CARRIAGE BOLT 5/16-18 X 3/4	
6	1724538A	1	SHORT BLOWOUT BAFFLE	
7	1960027	8	WASHER	
8	2108765	4	BOLT, REAR WHEEL	
9	5049017D	1	BRACKET, GAUGE WHEEL, LH - SNAPPER RED	
10	5049018D	1	BRACKET, GAUGE WHEEL, RH - SNAPPER RED	
11	5025145X6	10	BOLT, 5/16-18 X 3/4", CARRIAGE	
12	5025057	10	NUT, 5/16-18 HEX NYLON LOCK	
13	1716869A	1	BAFFLE-BLOWOUT RH 50" MWR - BLACK	
14	1716870A	1	BAFFLE-BLOWOUT LH 50" MWR - BLACK	

Footnotes:

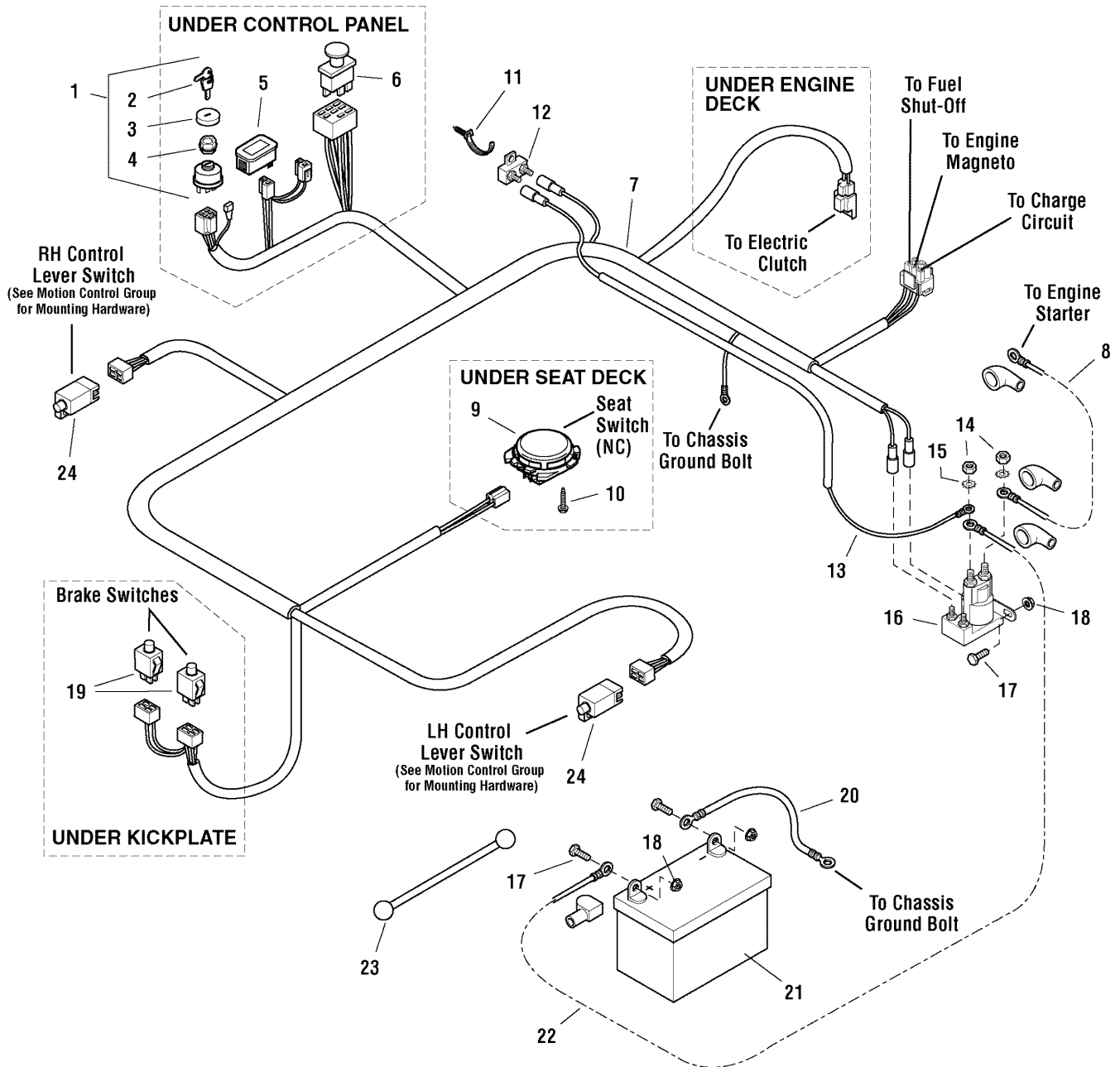
Control Group Panel



Control Group Panel

Item	Part No	Qty	Description	Note
1	5022665	1	BODY CLIP, 1/4-20 X .500 DEEP	
2	5025299X6	1	SCREW, ALLEN HEAD, 1/4-20 X 3/4"	
3	5047143	1	CHOKE CABLE	
4	5047629	1	CABLE THROTTLE, 48"	
5	5049022	1	BRACKET, LOCK	
6	5022269	1	O-RING, 7/8" ID X 1/16" W	
7	5400717A	1	PLATE, CONTROL TANK COVER	
8	1709188	1	HOLE, PLUG DASH	
9	5022222	1	RING, SWITCH RETAINER, PTO	
10	5022180	1	SWITCH, BLADE ENGAGEMENT	
11	5020927	1	SWITCH, IGNITION 6 POST	(Includes Ref. 16 - 18)
12	5100978	1	HOUR METER-DIGITAL	
13	5025095	2	NUT, Hex Nylon Lock, 1/4-20	
14	5025010X6	2	BOLT, 1/4-20 x 3/4	
15	5025035	1	NUT, 3/8-24 HEX	
16	5022789	1	KEY, Ignition Molded	(Set of 2)
17	5022790	1	COVER	
18	5022791	1	PLASTIC NUT	

Footnotes:

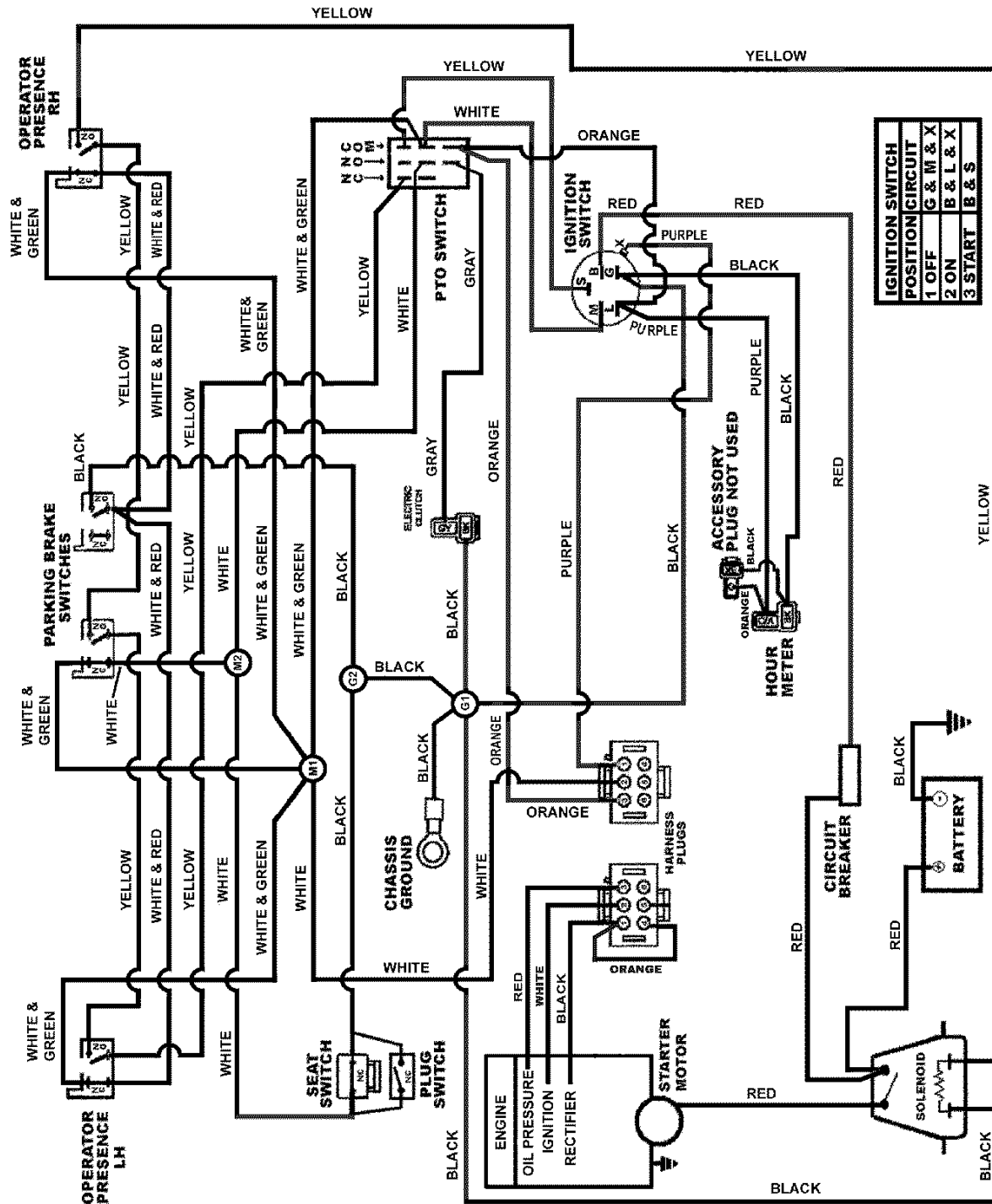


Electrical Group

Item	Part No	Qty	Description	Note
1	5020927	1	SWITCH, IGNITION,	(Includes Ref No. 2-4)
2	5022789	1	KEY, Ignition Molded	
3	5022790	1	COVER	
4	5022791	1	PLASTIC NUT	
5	1725523	1	HOUR METER, DIGITAL	(Includes Retaining Ring)
6	5022180	1	SWITCH, PTO	
7	5400371	1	MAIN HARNESS ASSEMBLY	
8	5048756	1	CABLE, #6 X 15" LONG, RING TERMINAL	
9	5100541	1	SWITCH, SEAT, GRAY, NC (Twist in)	
9	5100540	1	SWITCH, SEAT (Screw in)	
10	1960536	2	BOLT, HEX WASHER HEAD PLASTITE, 1/4 X 1/2	
11	5021199	1	CABLE TIE, PUSH MOUNT	
12	5023222	1	CIRCUIT BREAKER, 20A	
13	5048938	1	CIRCUIT BREAKER WIRE ASSEMBLY	
14	5023216	2	NUT, HEX JAM, 5/16-24	
15	5023217	2	WASHER, LIGHT LOCK, 5/16	
16	1724815	1	SOLENOID	
17	5025010X6	4	BOLT, 1/4-20 X 3/4	
18	5025126	4	NUT, HEX SERRATED FLANGE, 1/4-20	
19	5022182	2	SWITCH, PLUNGER, NO/NC, SNAP IN	
20	5021406	1	CABLE, #6 X 22" LONG, RING TERMINAL	
21	5020798	1	BATTERY, 12 VOLT	
22	5021542	1	CABLE, #6 X 30" LONG, RING TERMINAL	
23	1722009	1	STRAP, BATTERY, 14 LONG, RUBBER	
24	5022095	2	SWITCH, PLUNGER, NO/NC	

Footnotes:

Wiring Schematic 18hp

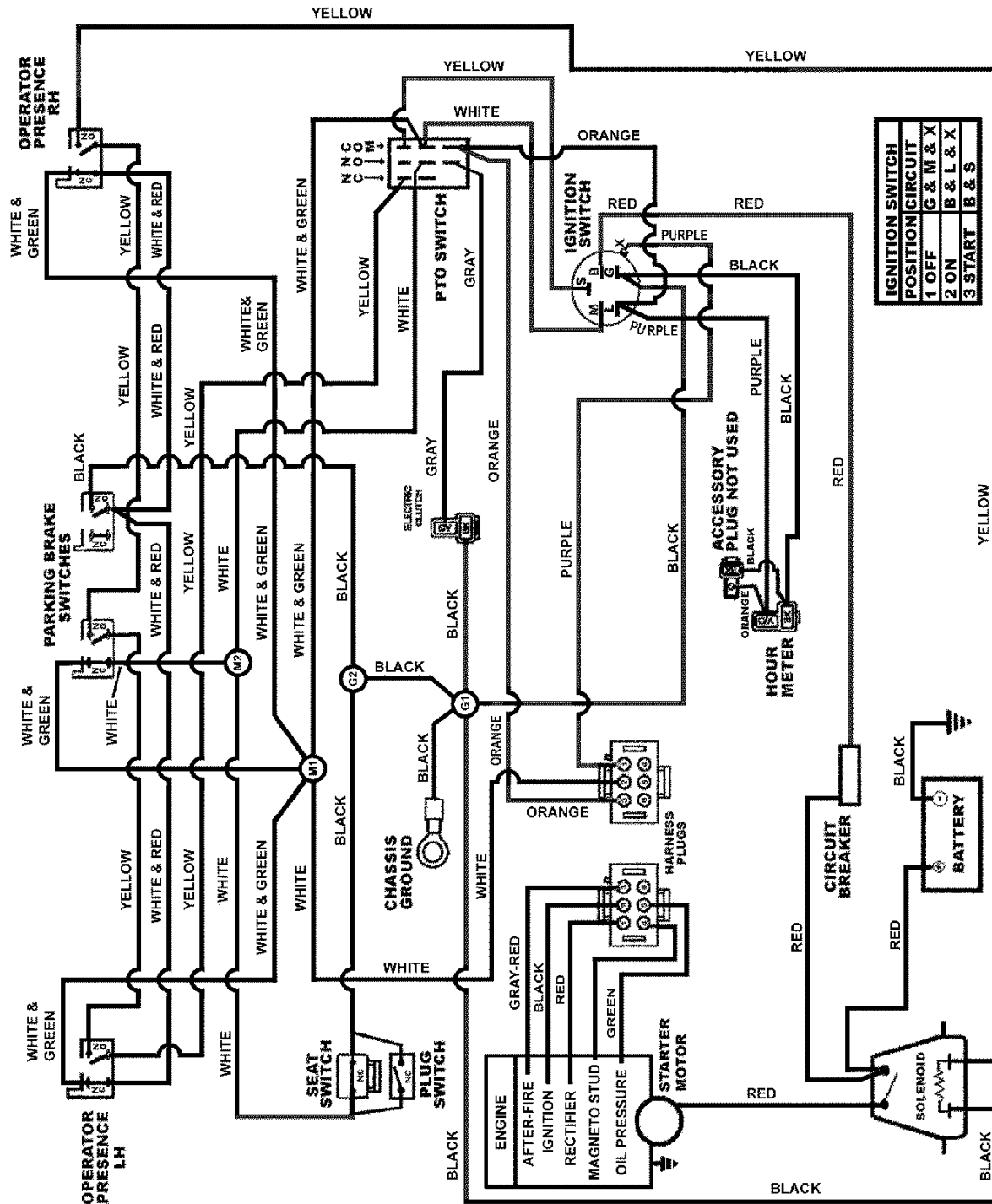


WIRING SCHEMATIC for ZT18440KH HARNESS Part #5048640

Wiring Schematic 18hp

Item	Part No	Qty	Description	Note
--	--	1	Wiring Schematic includes harness #5048640	

Footnotes:



WIRING SCHEMATIC for ZT20500BV HARNESS Part #5048640

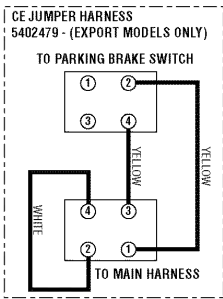
Wiring Schematic 20hp

Item	Part No	Qty	Description	Note
--	--	1	Wiring Schematic includes harness #5048640	

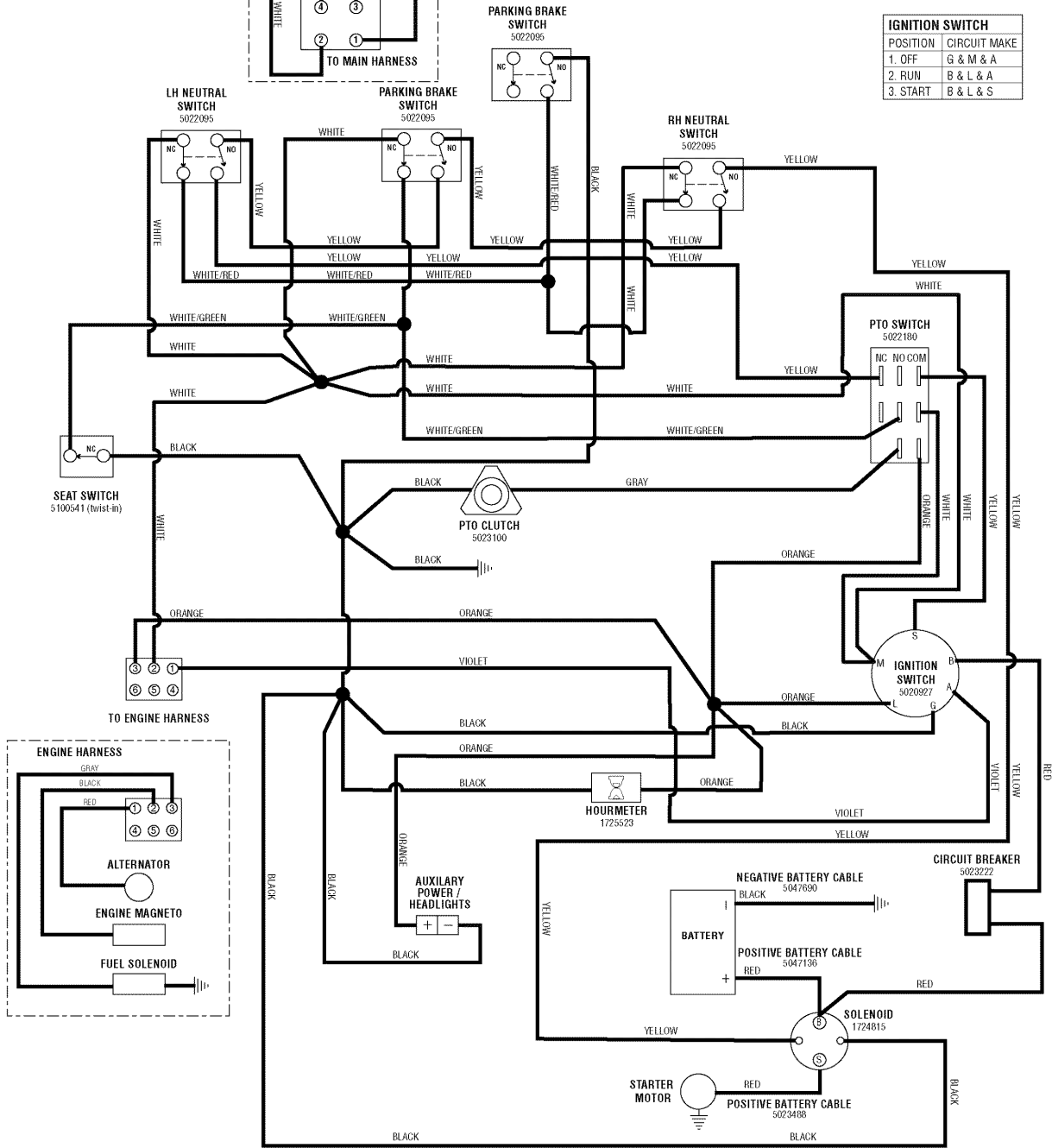
Footnotes:

Wiring Schematic - 24 HP Briggs & Stratton

MAIN HARNESS PART NO.:
5402849



IGNITION SWITCH	
POSITION	CIRCUIT MAKE
1. OFF	G & M & A
2. RUN	B & L & A
3. START	B & L & S



Wiring Schematic - 24 HP Briggs & Stratton

Item	Part No	Qty	Description	Note
1	--	1	WIRING SCHEMATIC INCLUDES HARNESS # 5402849	
2	--	1	WIRING SCHEMATIC INCLUDES HARNESS # 5402479	(CE / EXPORT MODELS ONLY)

Footnotes:

Parts Manual for

SNAPPER®

HYDRO DRIVE ZTR

350Z/400Z

SERIES 1

IT IS THE POLICY OF BRIGGS & STRATTON CORP TO IMPROVE ITS PRODUCTS WHENEVER IT IS POSSIBLE AND PRACTICAL TO DO SO. WE RESERVE THE RIGHT TO MAKE CHANGES OR ADD IMPROVEMENTS AT ANY TIME WITHOUT INCURRING ANY OBLIGATION TO MAKE SUCH CHANGES ON PRODUCTS

SNAPPER® McDonough, GA, 30253 U.S.A.

Free Manuals Download Website

<http://myh66.com>

<http://usermanuals.us>

<http://www.somanuals.com>

<http://www.4manuals.cc>

<http://www.manual-lib.com>

<http://www.404manual.com>

<http://www.luxmanual.com>

<http://aubethermostatmanual.com>

Golf course search by state

<http://golfingnear.com>

Email search by domain

<http://emailbydomain.com>

Auto manuals search

<http://auto.somanuals.com>

TV manuals search

<http://tv.somanuals.com>