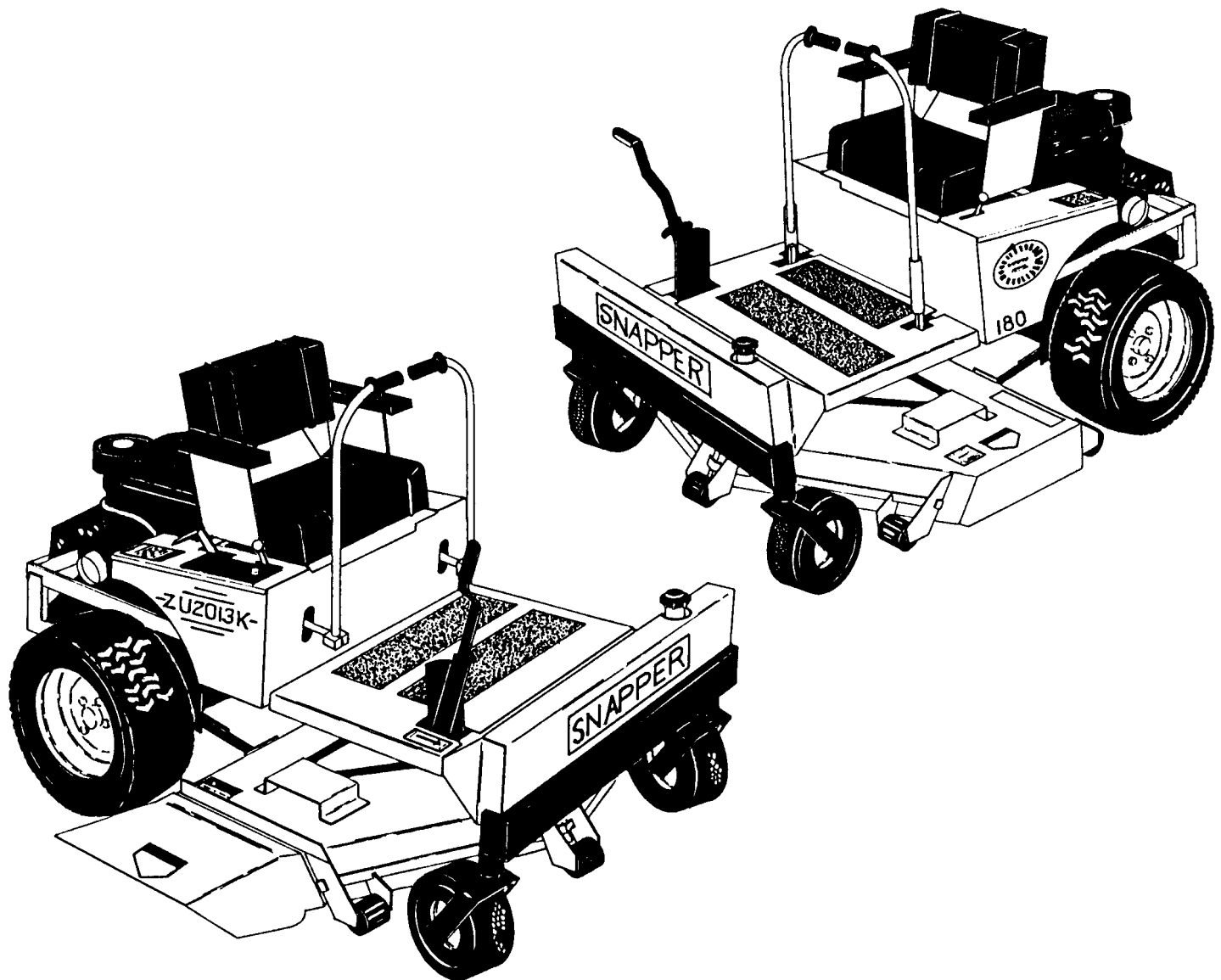


Parts Manual for

SNAPPER®

ZERO TURNING RADIUS RIDING MOWER MODELS 1810, 2010, AND ZU2013K



COPYRIGHT © 1997
SNAPPER INC.
ALL RIGHTS RESERVED

SNAPPER® McDonough, GA., 30253 U.S.A.

S # 62204 (5/91) P-10656

(Rev. 1, 10/97)

SNAPPER MANUAL No. 06433

TABLE of CONTENTS

TRACTOR & RELATED PARTS	Page No.
SPECIFICATIONS	2
BASIC MODEL IDENTIFICATION	3
ELECTRICAL PARTS	4 - 5
BODY PARTS	6 - 7
SEAT SUPPORT PARTS	8 - 11
STEERING CONTROL PARTS	12 - 14
CASTER WHEEL PARTS	15
DECK LIFT PARTS	16 - 17
SEAT PARTS	18 - 19
FENDER CAP PARTS	20 - 21
TRANSMISSION ASSEMBLY	22 - 23
ENGINE ASSEMBLY PARTS.....	24 - 25

TRACTOR & RELATED (Continued)

OIL TANK PARTS	26 - 27
DECALS	40

MOWER DECK & RELATED PARTS

48" DECK ASSEMBLY (1810 & 2010)	28 - 29
48" DECK ASSEMBLY (ZU2013K)	30 - 31
60" DECK ASSEMBLY (ZU2013K)	32 - 33
DECK SPINDLE ASSEMBLY (1810 & 2010).....	34 - 35
DECK SPINDLE ASSEMBLY (ZU2013K).....	36 - 37
SINGLE IDLER	38
DOUBLE IDLER	39

SPECIFICATIONS

LENGTH: Model 1810 & 2010 = 70"
Model ZU2013K = 73".

WIDTH: All Models (Tractor Only) = 48".
With 48" Deck = 59".(Includes Chute)
With 60" Deck = 74" (Includes Chute)

HEIGHT: All Models = 42"

WEIGHT: Tractor Only = 750 LBS. (Approximate)
: With 48" Deck = 950 LBS. (Approximate)
: With 60" Deck = 1050 LBS (Approximate)

CUT HEIGHT: All Models = 1" to 4"

FUEL TANK CAPACITY: All Models = 4 Gallons. Note;
Tank has approximately 2 gallons left when gauge shows
empty.

ENGINE OIL FILTER: Use Kohler #5025002, NAPA 1366
or equivalent. (1 Each).

TRANSMISSION OIL FILTER: (Unistat) Use NAPA #
1042, WIX 51042 or equivalent. (2 Each).

TRANSMISSION FLUID: Synthetic Type "F" or Conoco
Syncon AW-22.

BELTS: Engine to Unistat (Kevlar Cord Req'd)	A-128
Engine to Deck (1810 & 2010) 48"	B-85
" " " (ZU2013K) 48"	BP-84
" " " (ZU2013K) 60"	BP-87
Deck Belt, All 48" Mowers	AP-105
" " " 60" "	A-112

TIRE PRESSURE: All Front Tires (10" & 13") 20 PSI
All Rear Tires 24 PSI

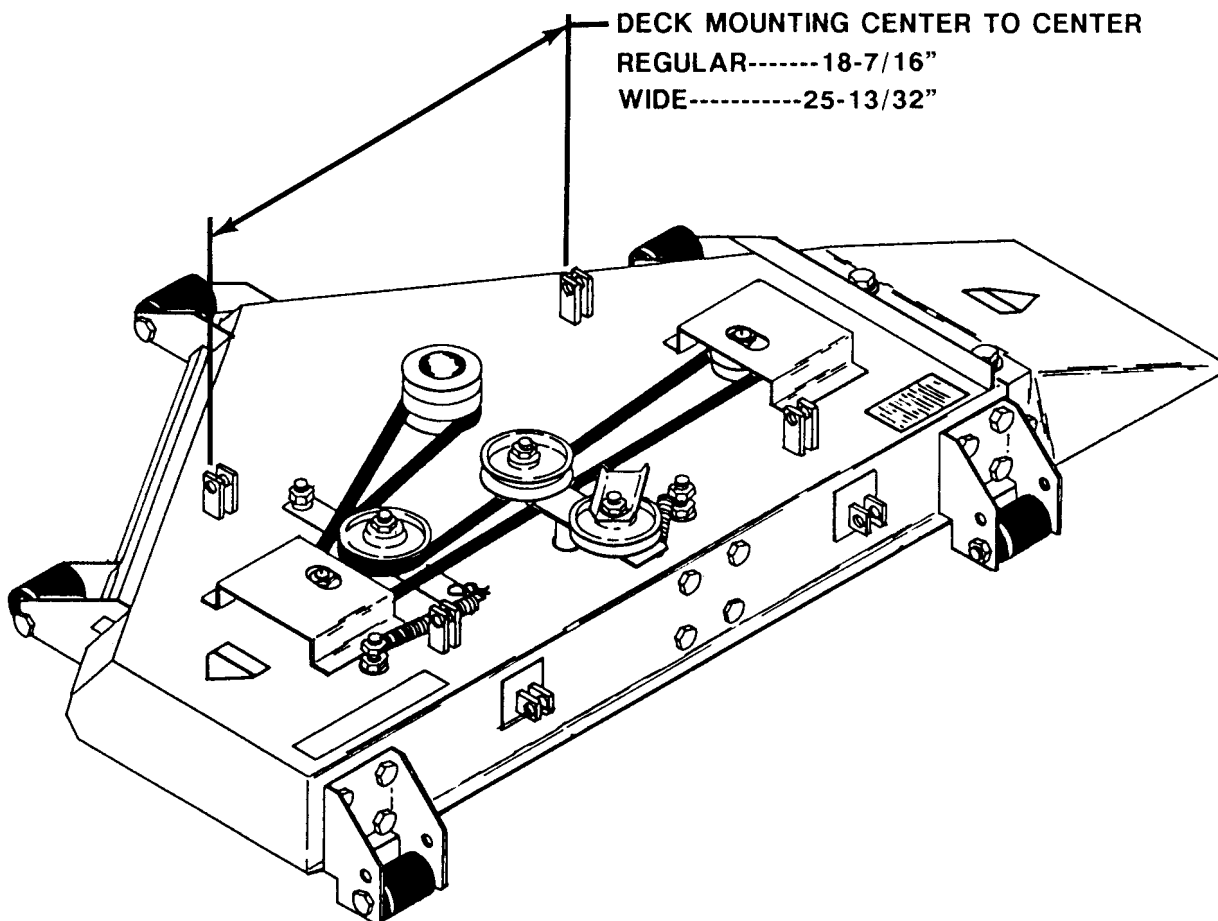
IT IS THE POLICY OF SNAPPER TO IMPROVE ITS PRODUCTS WHENEVER IT IS POSSIBLE AND PRACTICAL TO DO SO. WE RESERVE THE RIGHT TO MAKE CHANGES OR ADD IMPROVEMENTS AT ANY TIME WITHOUT INCURRING ANY OBLIGATION TO MAKE SUCH CHANGES ON PRODUCTS MANUFACTURED PREVIOUSLY.

BASIC MODEL IDENTIFICATION

This book covers the mowers identified by the following chart:

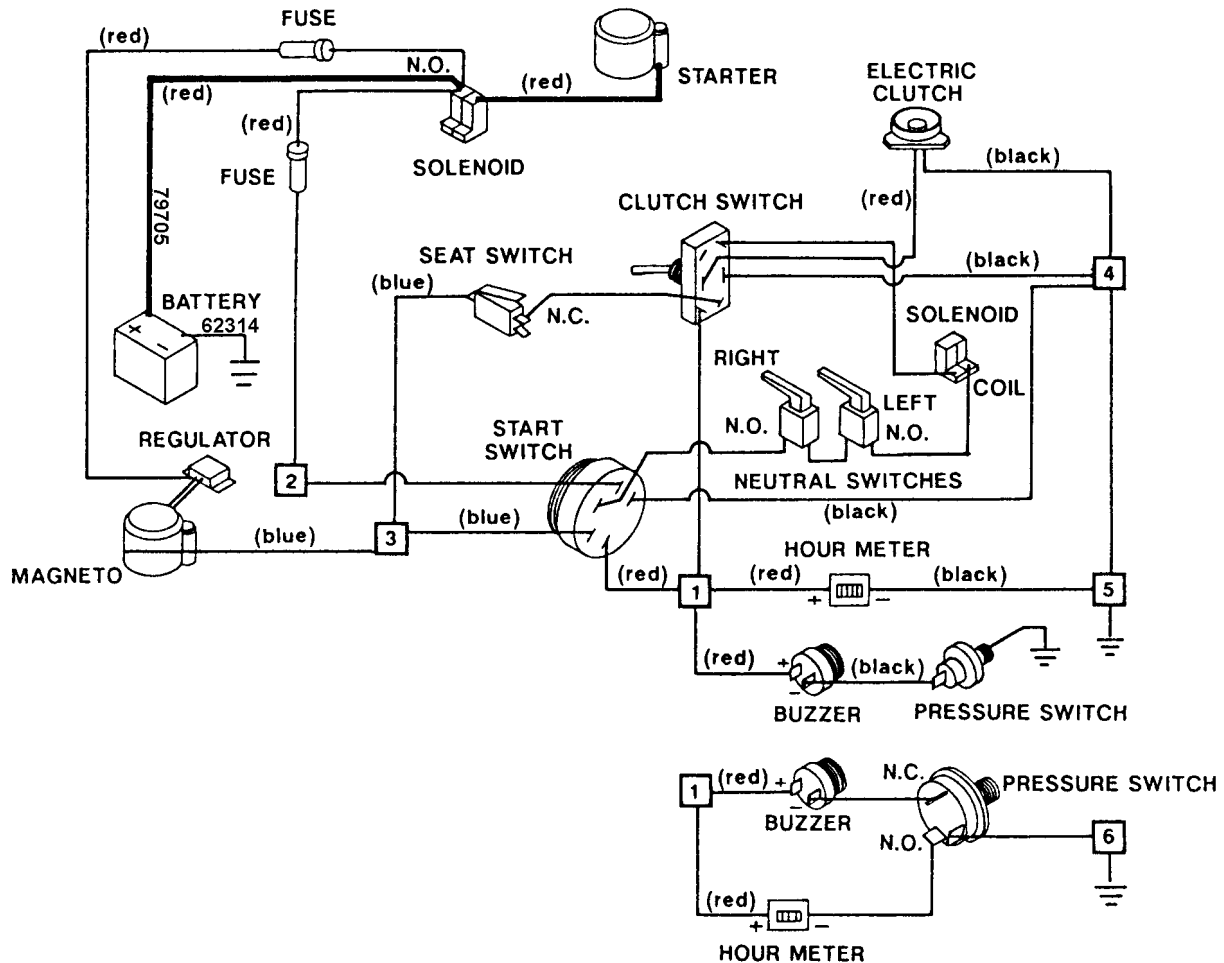
Tractor Engine	Decal	Deck Mounting	Color
18 Hp Kohler	1810	Regular	Orange
20 Hp Kohler	2010	Regular	Orange
20 Hp Kohler	ZU2013K	Wide	Red

Deck Size	Decal	Deck Mounting	Color
48" Cut	ZU4803M	Regular	Black
48" Cut	ZU4813M	Wide	Black
60" Cut	ZU6003M	Wide	Black



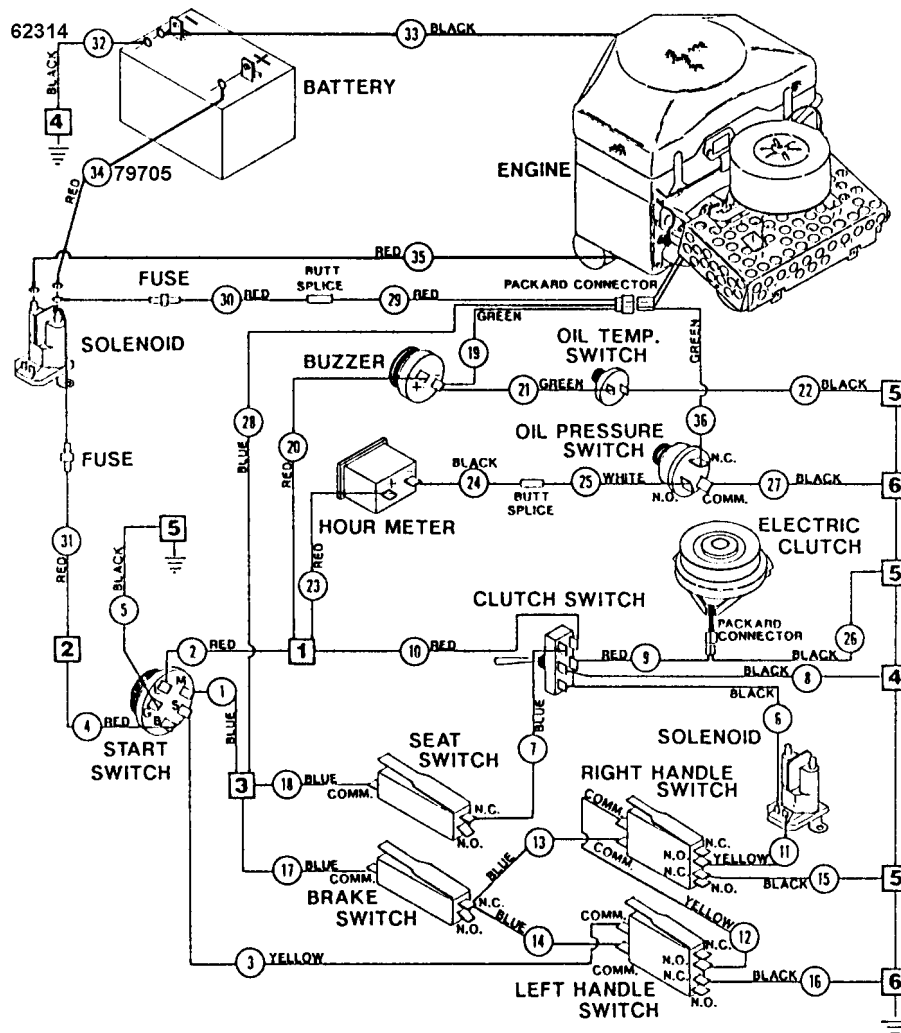
1810 & 2010 ELECT. COMPONENT PARTS

ITEM	DESCRIPTION	PART NO.	QTY.
1	BATTERY	79482	1
2	CAP, BATTERY POSITIVE TERMINAL RED	62039	1
3	STRAP, BATTERY TIE DOWN	79956	1
4	HOUR METER	79203	1
5	SOLENOID	79793	1
6	START SWITCH	79201	1
7	SWITCH, SPDT 15A HINGED LEVER (SEAT)	79194	1
8	BUZZER	79208	1
9	CLUTCH SWITCH	79342	1
10	ELECTIC CLUTCH	79446	1
11	INSULATOR COVER, CLUTCH CONNECTOR	79204	1
	TERMINAL PACKARD CRIMP	79205	2
12	SWITCH, N.O. DELTA (NEUTRAL)	79935	2
13	FUSEHOLDER (INLINE)	79206	2
14	PRESSURE SWITCH, 3 TERMINAL (ALTERNATE 1 TERMINAL PRESSURE SWITCH) (AVAILABLE FROM KOHLER)	79546	1
15	BOOT, PRESSURE SWITCH	79557	1
16	TERMINAL STRIP, 6 PT.	79192	1



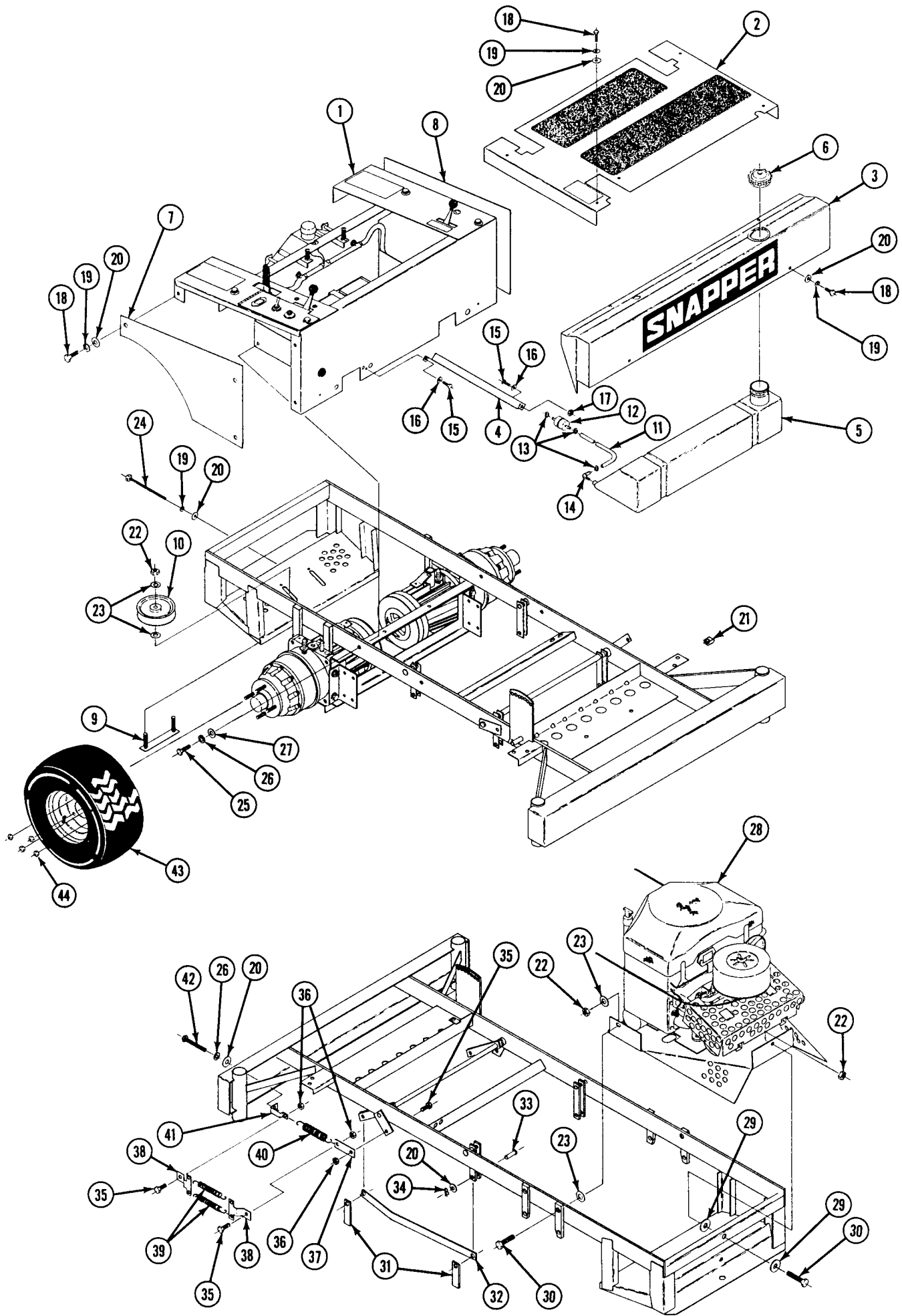
ZU2013K ELECT. COMPONENT PARTS

ITEM	DESCRIPTION	PART NO.	QTY.
1	BATTERY	79482	1
2	CAP, BATTERY POSITIVE TERMINAL RED	62039	1
3	STRAP, BATTERY TIE DOWN	79956	1
4	HOUR METER	79203	1
5	SOLENOID	79793	1
6	START SWITCH	79201	1
7	SWITCH, SPDT 15A LEVER (SEAT & BRAKE)	79194	2
8	BUZZER	79208	1
9	CLUTCH SWITCH	79342	1
10	ELECTIC CLUTCH	79446	1
11	INSULATOR COVER, CLUTCH CONNECTOR TERMINAL PACKARD CRIMP	79204 79205	1 2
12	SWITCH, DPDT 15 A LEVER (NEUTRAL)	79383	2
13	FUSEHOLDER (INLINE)	79206	2
14	PRESSURE SWITCH, 3 TERMINAL	79546	1
15	BOOT, PRESSURE SWITCH	79557	1
16	CONNECTOR, OILSWITCH WIRE ASSEMBLY	62160	1
17	6 PT. TERMINAL STRIP (LESS QD TERM.) JUMPER, GROUND TAB, 90 DEGREE QUICK DISCONNECT TAB, 45 DEGREE QUICK DISCONNECT	79192 62179 62157 62158	1 1 4 6
18	SWITCH, OIL TANK TEMPERATURE	62156	1



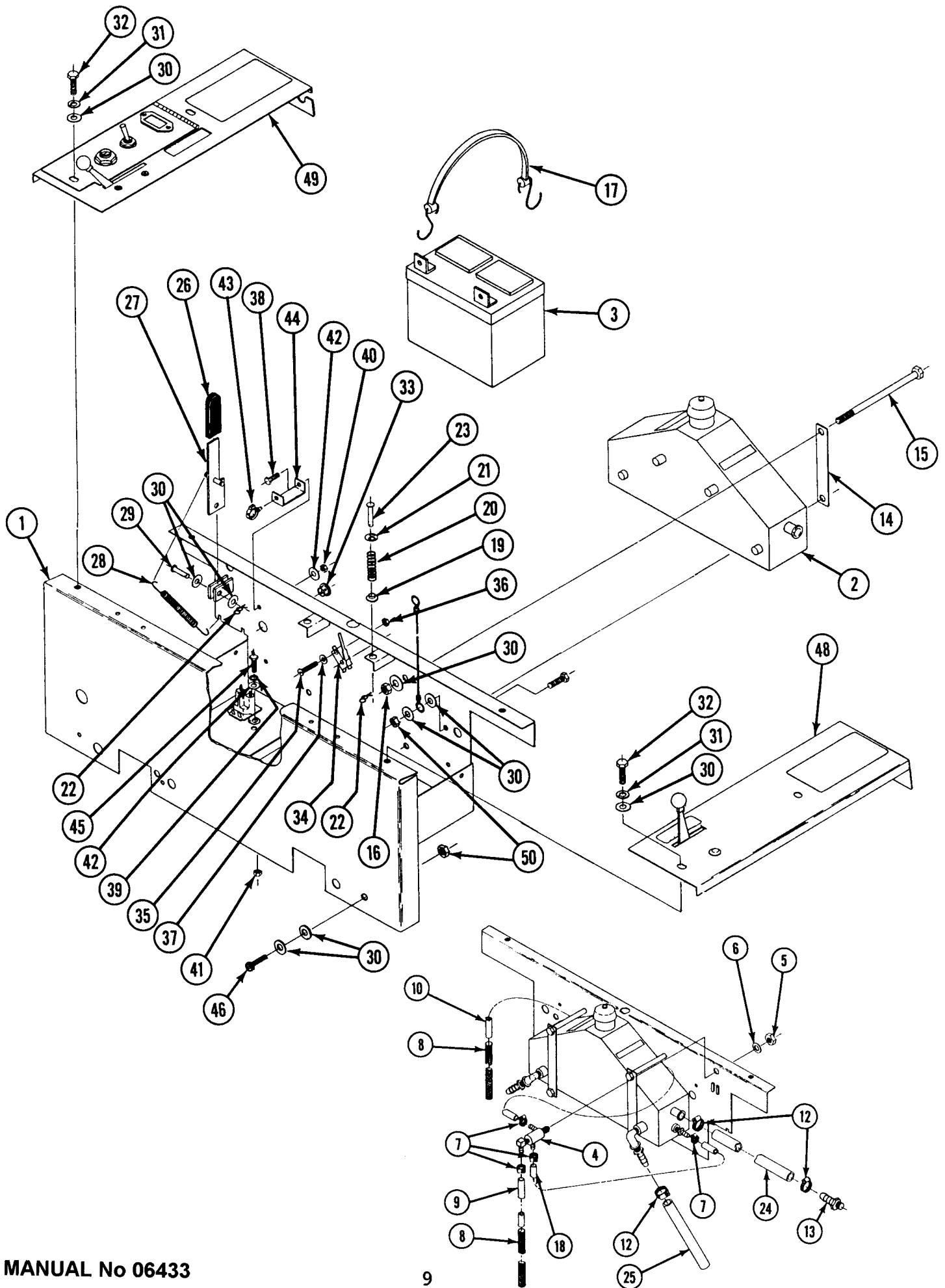
BODY PARTS

ITEM	DESCRIPTION	PART NO.	QTY
1	SEAT SUPPORT ASSEMBLY		1
2	FOOT DECK ASS'Y: 1810, 2010 (ORANGE)	79989	1
	ZU2013K (RED)	62138	1
3	TANK COVER ASS'Y: 1810, 2010 (ORANGE)	62009	1
	ZU2013K (RED)	62134	1
4	GAS CHANNEL: FOR 1810, 2010	79986	1
	FOR ZU2013K	62145	1
5	FUEL TANK	79223	1
6	FUEL TANK CAP	79955	1
7	FENDER SKIRT ASSEMBLY, RH: FOR 1810	62008	1
	FOR 2010	62033	1
	FOR ZU2013K	62113	1
8	FENDER SKIRT ASSEMBLY, LH: FOR 1810	62005	1
	FOR 2010	62034	1
	FOR ZU2013K	62114	1
9	IDLER SLIDE WELDMENT	79997	1
10	V-IDLER, 4-3/8 O.D.	79166	2
11	FUEL LINE	62019	1
12	FUEL FILTER	79229	1
13	CLAMP, HOSE: 1/4 HH SCREW 1/4 MIN.	79569	3
14	HOSE BARB, 90 DEG 1/4 HOSE X 1/8 NPTM	79953	1
15	CAPSCREW, HX HD: 1/4-20 X 3/4	79594	2
16	FLAT WASHER: 1/4	79410	2
17	LOCKNUT, NYLOCK: 1/4-20	79260	2
18	CAPSCREW, HX HD: 5/16-18 X 3/4 GR5	79315	14
19	LOCKWASHER, SPLT SPRNG: 5/16	79267	15
20	FLAT WASHER, 5/16	79263	20
21	J-NUT, 5/16-18 X 1 TINNERMAN	79945	4
22	LOCKNUT, STOVER: 1/2-13	79262	2
23	FLAT WASHER: 1/2	79264	4
24	CAPSCREW, HX HD: 5/16-18 X 6 GR5	79944	1
25	CAPSCREW, HX HD: 3/8-16 X 1	90563	4
26	LOCKWASHER, SPLIT SPRING: 3/8	79268	5
27	FLAT WASHER: 3/8	90600	4
28	ENGINE ASSEMBLY		1
29	WASHER, 1/2 ID X 2 OD X 3/16	79998	2
30	CAPSCREW, HX HD: 1/2-13 X 2	79276	3
31	DECK HANGER BAR: FOR 1810, 2010	62081	4
	FOR ZU2013K	62104	4
32	CONNECTING BAR: FOR 1810, 2010	79126	2
	FOR ZU2013K	62177	2
33	CLEVIS PIN: FOR 1810, 2010 5/16 X 1-1/4	79284	4
	FOR ZU2013K 3/8 X 2	79318	4
34	RUE RING, 5/16-3/8	79291	4
35	CAPSCREW, HEX HEAD: 3/8-16 X 1	90563	2
36	LOCKNUT, NYLOCK: 3/8-16	79273	2
37	PLATE, SPRING: FOR 1810, 2010	79552	1
	FOR ZU2013K	62146	1
38	PLATE, DOUBLE SPRING (IF USED)	79981	2
39	SPRING, EXTENSION (IF USED)	79368	2
40	SPRING, EXTENSION	79268	1
41	TIGHTNER, SPRING	79803	1
42	CAPSCREW, HX HD: 3/8-16 X 5 FULL THD	79833	1
43	WHEEL / TIRE ASS'Y (20-8-10 4 PLY)	62181	2
44	LUG NUT: 1/2-20 X 60 DEGREE	79293	8



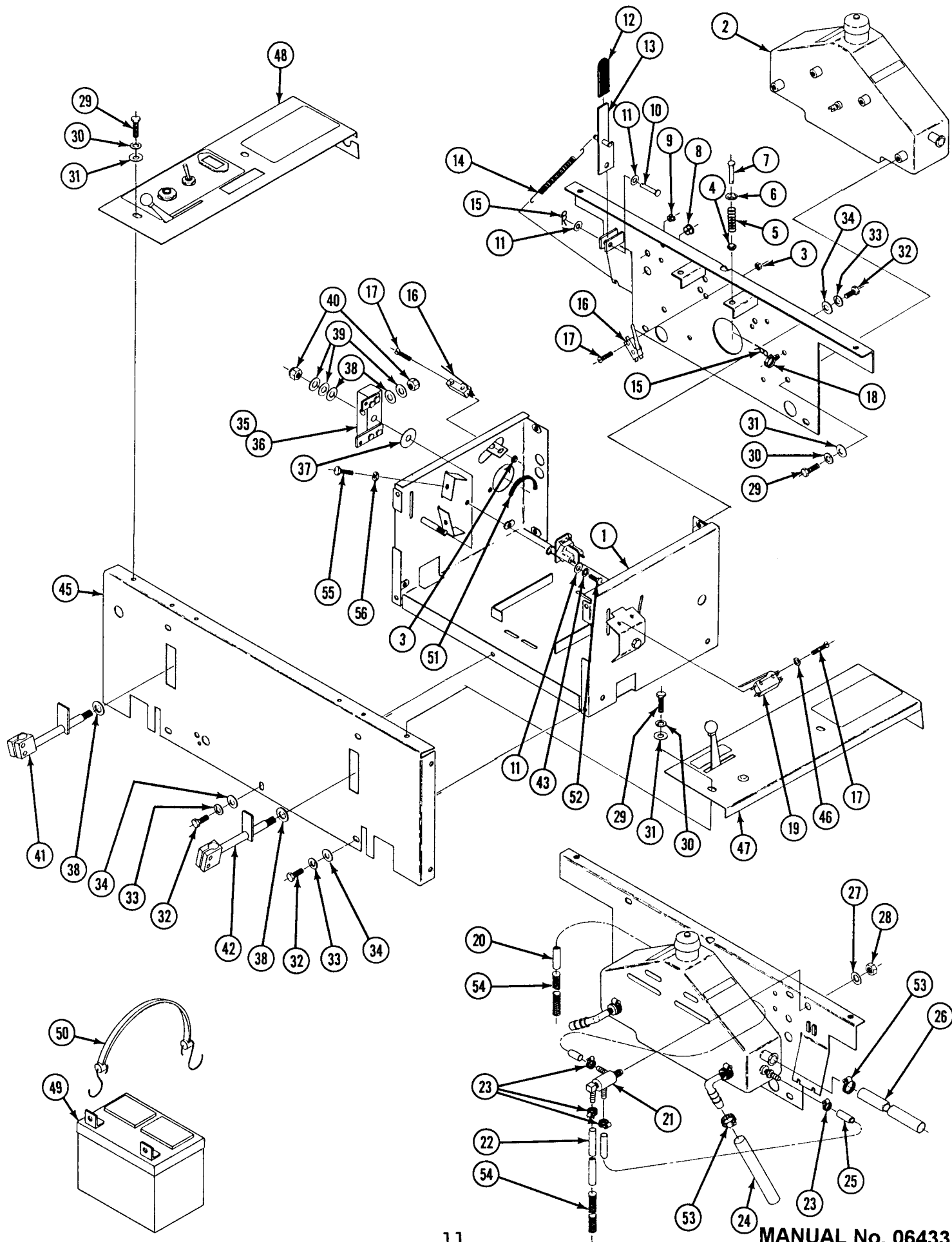
SEAT SUPPORT ASSEMBLY PARTS, 1810 & 2010

ITEM	DESCRIPTION	PART NO.	QTY.
1	SEAT SUPPORT WELDMENT	79686	1
2	OIL TANK ASSEMBLY	62011	1
3	BATTERY	79482	1
4	BRAKE VALVE ASSEMBLY	62030	1
5	LOCKWASHER, INTERNAL STAR: 5/8	79940	1
6	NUT, HX: 5/8-11	79937	1
7	CLAMP, HOSE: 1/4 ID	79569	6
8	SHIELD, CABLE	62029	2
9	HOSE, RIGHT BRAKE	62025	1
10	HOSE, LEFT BRAKE	62026	1
11	HOSE BARB: 1/4 X 1/8 NPMT	79958	2
12	CLAMP, HOSE: 3/4 ID	79952	8
13	HOSE BARB, 3/4 X 7/8 SAE PORT	79965	4
14	OIL TANK STRAPS	79976	2
15	CAPSCREW, HX HD: 3/8-16 X 5 GR 5	79957	4
16	LOCKNUT, NYLOCK: 3/8-16	79273	4
17	STRAP, 12 IN. RUBBER TIE DOWN	79956	1
18	HOSE, BRAKE RETURN	67027	1
19	BUSHING, NYLON SEAT SPRING	79544	2
20	SPRING, COMPRESSION	79211	2
21	BUSHING, STEEL SEAT SPRING	79093	2
22	RUE PIN	79291	3
23	PIN, CLEVIS: 5/16 X 1-3/4	79298	2
24	HOSE, UNISTAT RETURN	62024	2
25	HOSE, UNISTAT INLET	62023	2
26	GRIP, HANDLE	79970	1
27	BRAKE HANDLE WELDMENT	62016	1
28	SPRING, EXTENSION	79233	2
29	PIN, CLEVIS: 5/16 X 1	79322	1
30	FLAT WASHER: 5/16	79263	6
31	LOCKWASHER, SPLT SPRNG: 5/16	79267	4
32	CAPSCREW, HX HD: 5/16-18 X 1 GR 5	90636	4
33	BUSHING, 7/8 PLASTIC	79191	2
34	SWITCH, SEAT	79194	1
35	SCREW, MACH: 6-32 X 1	79281	2
36	LOCKNUT, NYLOCK: 6-32	79310	2
37	LOCKWASHER, INTERNAL STAR: NO.6	79278	2
38	CAPSCREW, HX HD: 1/4-20 X 1 GR 5	79265	2
39	LOCKWASHER, SPLT SPRNG: 1/4	90052	2
40	LOCKNUT, STOVER: 1/4-20	79585	1
41	LOCKNUT, NYLOCK: 1/4-20	79260	2
42	FLAT WASHER: 1/4	79410	3
43	ROSEBUD CLIP: 1/2	79962	11
44	STAND-OFF	62093	1
45	CAPSCREW, HX HD: 1/4-20 X 3/4 GR 5	79584	2
46	CAPSCREW, SKT HD: 5/16-18 X 1 GR 8	62161	3
47	CAPSCREW, HX HD: 5/16-18 X 1 GR 5	90636	1
48	FENDER CAP ASSEMBLY, LH		1
49	FENDER CAP ASSEMBLY, RH		1
50	LOCKNUT, NYLOCK: 5/16-18	90717	1



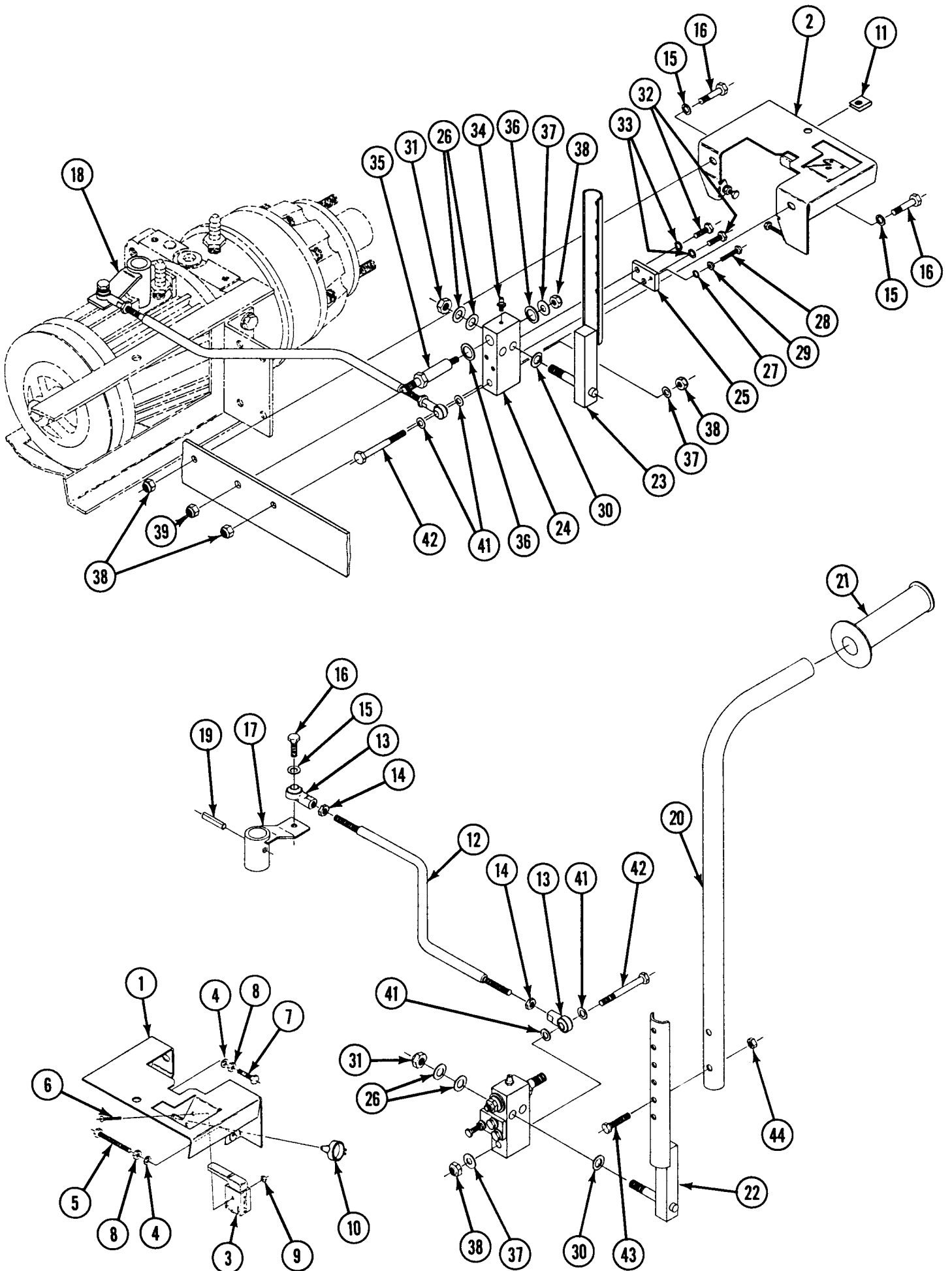
SEAT SUPPORT ASSEMBLY PARTS, ZU2013K

ITEM	DESCRIPTION	PART NO.	QTY.
1	SEAT SUPPORT BASE WELDMENT	62110	1
2	OIL TANK ASSEMBLY	62127	1
3	NUT, NYLOCK: 6-32	79310	4
4	WASHER, NYLON: SEAT SPRING	79544	2
5	SPRING, COMPRESSION: .720 OD X 2 LONG	79211	2
6	WASHER, SEAT SPRING	79093	2
7	PIN, CLEVIS: 5/16 X 1-3/4	79298	2
8	BUSHING, PLASTIC: 1-1/2 O.D.	62159	1
9	BUSHING, PLASTIC: 7/8 O.D.	79191	1
10	PIN, CLEVIS: 5/16 X 1	79322	1
11	FLAT WASHER: 1/4	79410	2
12	GRIP, VINYL	79970	1
13	BRAKE HANDLE WELDMENT	62016	1
14	SPRING, EXTENSION: 3-1/2	79233	2
15	COTTER RUE RING: 5/16 X 3/8 PIN	79291	3
16	SWITCH, 15A SPDT HINGED LEVER	79194	2
17	SCREW, PHILLIPS MACHINE: 6-32 X 1	79281	8
18	CLIP, ROSEBUD: 1/2	79962	2
19	SWITCH, 15 A DPDT HINGED LEVER	79194	2
20	HOSE, LEFT BRAKE	62026	1
21	VALVE, BRAKE ASSEMBLY	62030	1
22	HOSE, RIGHT BRAKE	62025	1
23	CLAMP, HOSE: 1/4	79569	6
24	HOSE, INLET	62147	2
25	HOSE, BRAKE RETURN	62027	1
26	HOSE, RETURN	62148	2
27	WASHER, INTERNAL LOCK: 5/8	79940	1
28	NUT, HEX: 5/8-11	79737	1
29	CAPSCREW, HX HD: 5/16-18 X 1 GR 5	90636	8
30	LOCKWASHER, SPLT SPRNG: 5/16	79267	8
31	FLAT WASHER: 5/16	79263	8
32	CAPSCREW, HX HD: 3/8-16 X 3/4 GR 5	79266	9
33	LOCKWASHER, SPLT SPRNG: 3/8	79268	9
34	FLAT WASHER: 3/8	90600	9
35	ROTARY MOUNT ASSEMBLY, RH	62118	1
36	ROTARY MOUNT ASSEMBLY, LH	62119	1
37	WASHER, NYLON SPACER: 1-1/2 OD	79086	2
38	WASHER, NYLON: 1/2 ID X 1 OD	79012	6
39	WASHER, STEEL: 1/2 ID	79306	6
40	LOCKNUT, 1/2-20 NYLOCK	79295	4
41	HANDLE CONNECTOR WELDMENT RH	62102	1
42	HANDLE CONNECTOR WELDMENT LH	62103	1
43	LOCKWASHER, SPLT SPRNG: 1/4	90052	4
44	SEAT SUPPORT BACK WELDMENT	62128	1
45	SEAT SUPPORT FRONT	62129	1
46	LOCKWASHER, INTERNAL STAR: 6	79278	4
47	FENDER CAP ASSEMBLY, LH		1
48	FENDER CAP ASSEMBLY, RH		1
49	BATTERY, 12 VOLT	NA	1
50	RUBBER TIE DOWN STRAP, 12	79956	1
51	TRIM, U-CHANNEL	79596	6"
52	CAPSCREW, HX HD: 1/4-20 X 1/2	62163	2
53	CLAMP, HOSE: 3/4	79952	8
54	SHEILD, CABLE	62029	2
55	CAPSCREW, HX HD: 1/4-20 X 1 GR 5	79265	4
56	NUT, HEX: 1/4-20	79343	4



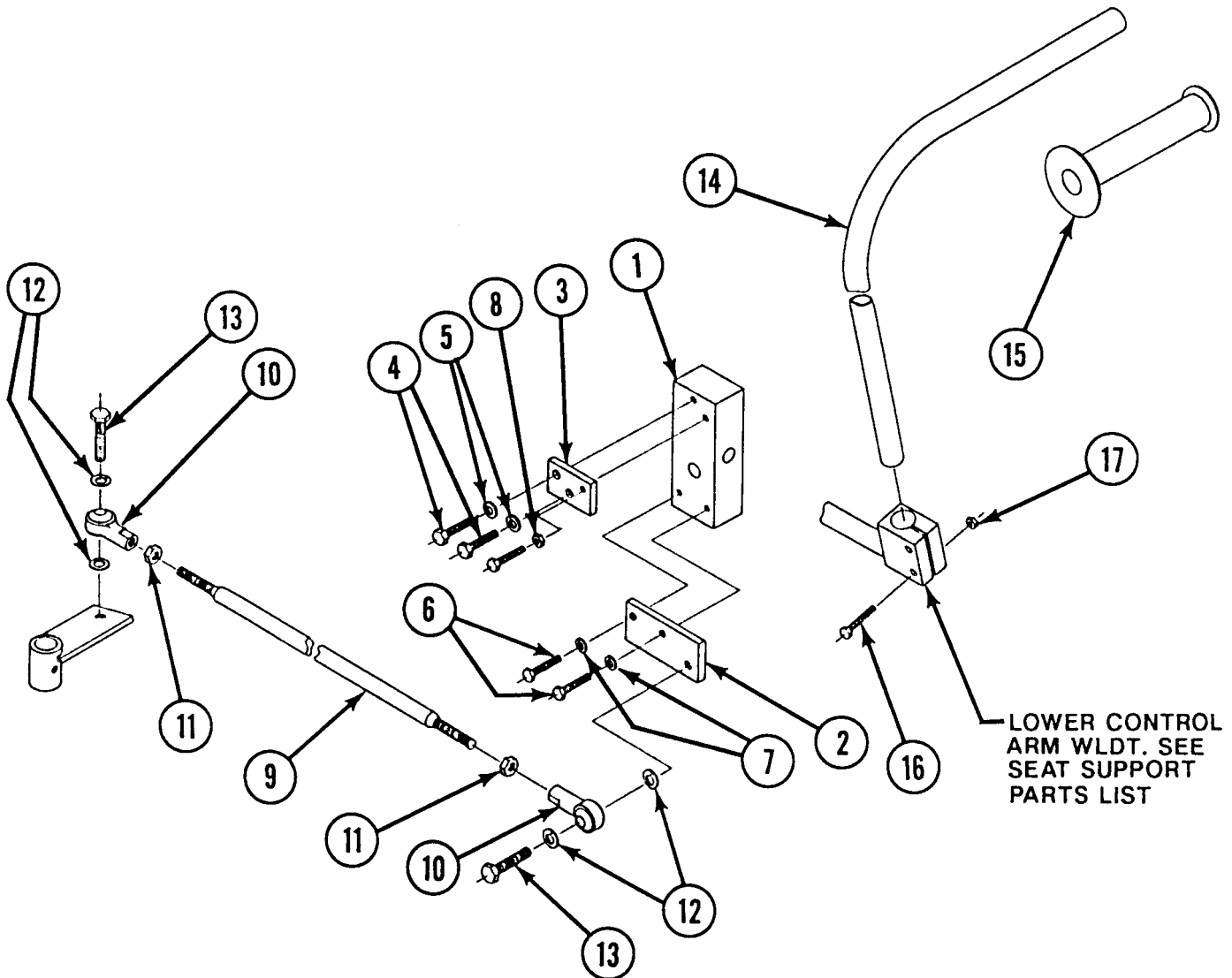
STEERING CONTROL PARTS, 1810 & 2010

ITEM	DESCRIPTION	PART NO.	QTY.
--	SHIFT ARM RETAINER ASSEMBLY, RH	62002	1
--	SHIFT ARM RETAINER ASSEMBLY, LH	62003	1
1	SHIFT ARM BRACKET, RH	69987	1
2	SHIFT ARM BRACKET, LH	69988	1
3	SWITCH, NEUTRAL	79935	2
4	LOCKWASHER, SPLT SPRNG: 1/4	90052	2
5	CAPSCREW, HS HD: 1/4-20 X 2 GR 5	79939	1
6	SCREW, RD HD: 10-32 X 1-1/8	79946	1
7	CAPSCREW, HX HD: 1/4-20 X 1 GR 5	79265	1
8	NUT, HEX: 1/4-20	79343	2
9	LOCKNUT, NYLOCK: 10-32	79942	1
10	CLIP, ROSEBUD: 1/2	79962	1
11	J-NUT: 5/16-18	79945	1
--	LINKAGE ROD ASSEMBLY	62028	2
12	LINKAGE ROD	69980	1
13	BALL JOINT, 3/8-24 PLAIN FEMALE	79954	2
14	NUT, HEX: 3/8-24	79949	2
15	LOCKWASHER, SPLT SPRNG: 3/8	79268	6
16	CAPSCREW, HX HD: 3/8-16 X 1 GR 5	90563	6
17	SHIFT BLOCK WELDMENT, RH	79994	1
18	SHIFT BLOCK WELDMENT, LH	79995	1
19	ROLL PIN: 5/16 X 1-1/2	79364	2
--	UPPER CONTROL LEVER ASSEMBLY	62010	2
20	UPPER CONTROL LEVER	79979	1
21	GRIP, HANDLE	79957	1
--	STEERING ARM ASSEMBLY, RH	62000	1
--	STEERING ARM ASSEMBLY, LH	62001	1
22	LOWER HANDLE WELDMENT, RH	79977	1
23	LOWER HANDLE WELDMENT, LH	79978	1
24	ROTARY BLOCK	79985	1
25	ARM STOP	79983	1
26	WASHER, TYPE B: 1/2	79306	1
27	LOCKWASHER, SPLT SPRNG: 1/4	90052	2
28	CAPSCREW, HX HD: 1/4-20 X 1 GR 5	79265	1
29	NUT, HEX: 1/4-20	79343	2
30	D-WASHER	79984	1
31	LOCKNUT, NYLOCK: 1/2-13	79277	1
32	CAPSCREW, HX HD: 5/16-24 X 3/4 GR 5	79950	2
33	LOCKWASHER, SPLT SPRNG: 5/16	79267	2
34	GREASE FITTING	79384	1
35	SHOULDER BOLT	62013	2
36	WASHER, 1/16 THICK: 5/8 ID X 1 OD	62014	4
37	FLAT WASHER: 3/8	90600	4
38	LOCKNUT, NYLOCK: 3/8-16	79273	8
39	LOCKNUT, NYLOCK: 1/2-13	79277	2
40	CAPSCREW, HX HD: 3/8-16 X 1-1/4 GR 5	90587	4
41	FLAT WASHER: 5/16	79263	8
42	CAPSCREW, HX HD: 3/8-16 X 2-3/4 GR 5	79313	2
43	CAPSCREW, HX HD: 5/16-18 X 1-3/4 GR 5	79938	4
44	LOCKNUT, NYLOCK: 5/16-18	90717	8



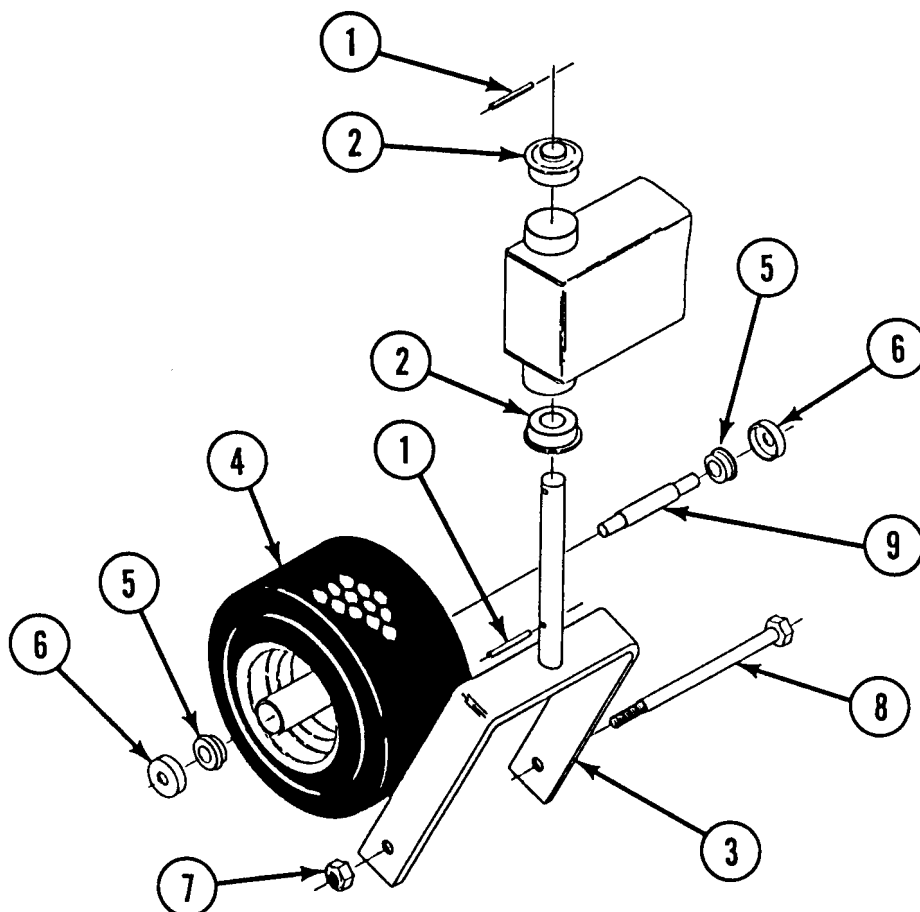
STEERING CONTROL PARTS, ZU2013K

ITEM	DESCRIPTION	PART NO.	QTY.
1	ROTARY BLOCK (FITS BOTH SIDES)	62019	2
2	SHIFT PLATE	62018	2
3	ARM STOP	79983	2
4	CAPSCREW, HX HD: 5/16-24 X 1	90238	4
5	LOCKWASHER, SPLT SPRNG: 5/16	79267	4
6	CAPSCREW, HX HD: 1/4-20 X 1 GR 5	79265	6
7	LOCKWASHER, SPLT SPRNG: 1/4	90052	4
8	NUT, HEX: 1/4-20	79343	2
9	LINKAGE ROD	62111	2
10	BALL JOINT, 3/8-24 PLAIN FEMALE	79954	4
11	NUT, HEX: 3/8-24	79949	4
12	LOCKWASHER, SPLT SPRNG: 3/8	79268	8
13	CAPSCREW, HX HD: 3/8-16 X 1-1/4 GR 5	90587	4
14	SHIFT LEVER (FITS BOTH SIDES)	62130	2
15	HANDLE GRIP	62188	2
16	CAPSCREW, HX HD: 1/4-20 X 1-1/2 GR 5	79588	4
17	LOCKNUT, NYLOCK: 1/4-20	79260	4



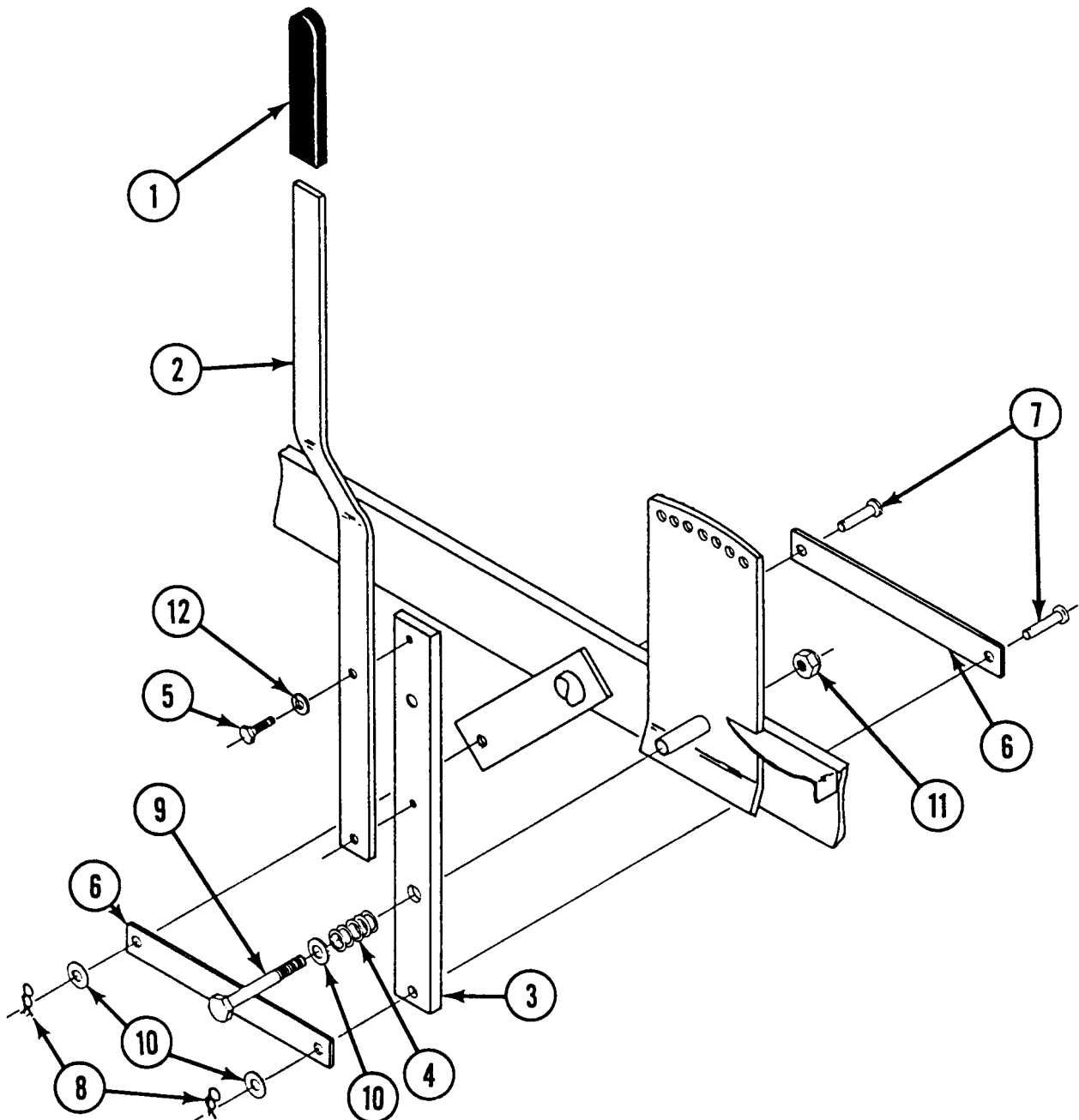
CASTER WHEEL PARTS

ITEM	DESCRIPTION	PART NO.	QTY.
	FRONT CASTER ASSEMBLY		
	FOR 1810, 2010	79995	2
	FOR ZU2013K	62143	2
1	ROLL PIN, HEAVY DUTY: 3/16 X 2	79285	2
2	BEARING, SPD SF-16-32 W/O COLLAR	79331	2
3	CASTER WELDMENT		
	FOR 1810, 2010	79973	1
	FOR ZU3013K	62144	1
4	WHEEL, (TIRE & RIM)		
	FOR 1810 & 2010, (10")	79164	1
	FOR ZU2013K, (13")	79171	1
5	BEARING, 5/8 I.D. X 1-3/8 O.D.	79339	2
6	BEARING PROTECTOR		
	FOR 1810, 2010	79974	2
	FOR ZU3013K	79357	2
7	LOCKNUT		
	FOR 1810, 2010, - NYLOCK: 1/2-13	79277	1
	FOR ZU3013K, - STOVER: 1/2-13	79262	1
8	AXLE, CAPSCREW, HX HD:		
	FOR 1810, 2010, - 1/2-13 X 7-1/2	79947	1
	FOR ZU2013K, - 1/2-13 X 8 GR. 5	79363	1
9	SPACER, BEARING	62015	1



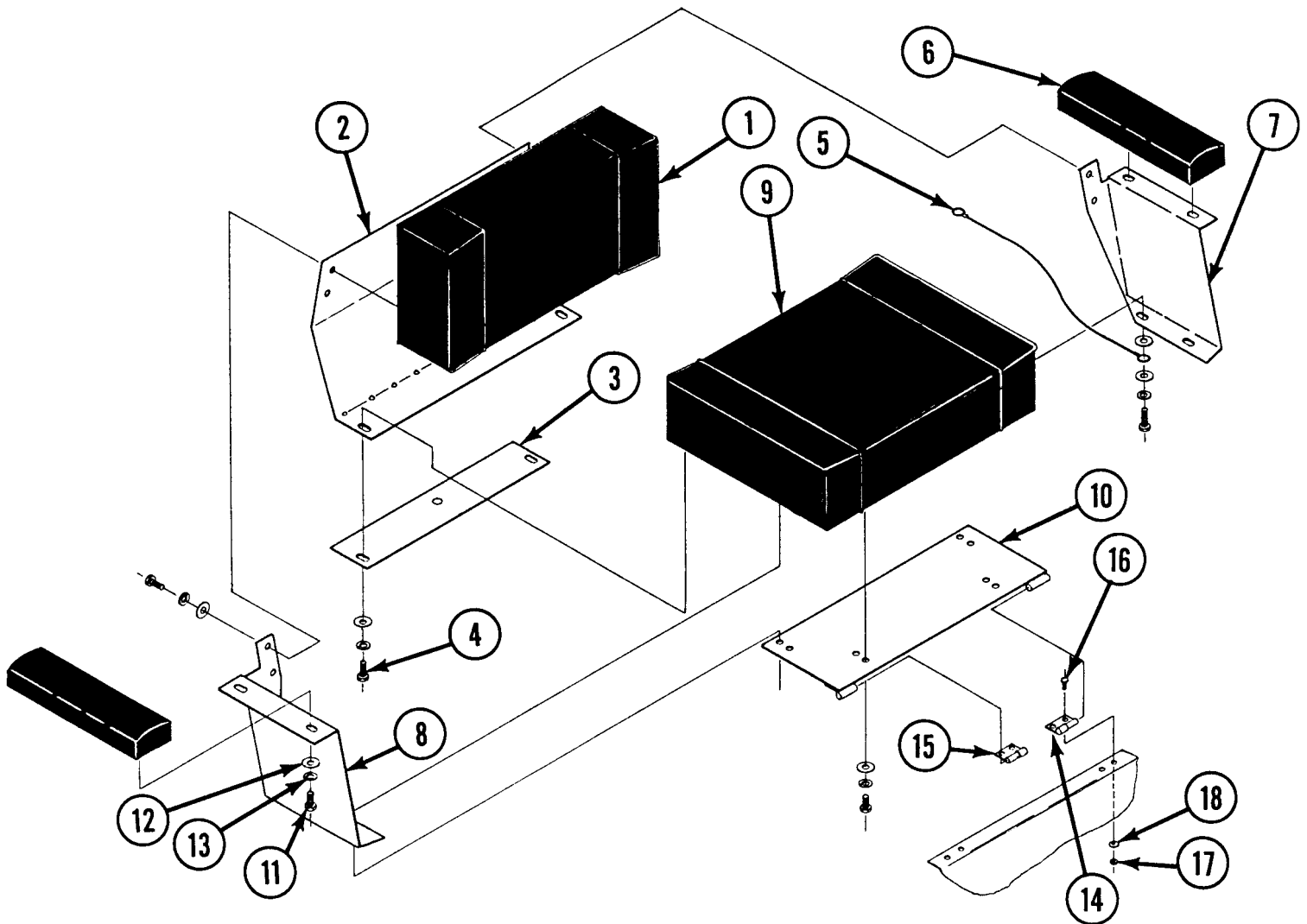
DECK LIFT PARTS, ZU2013K

ITEM	DESCRIPTION	PART NO.	QTY.
1	GRIP, VINYL: 1/4 X 1	79213	1
2	HANDLE, TOP DECK LIFT	79026	1
3	DECK HANDLE WELDMENT	62227	1
4	SPRING, COMPRESSION	79799	1
5	CAPSCREW, HX HD: 5/16-18 X 3/4 GR 5	79315	2
6	DECK LIFT CONNECTOR	62228	2
7	PIN, CLEVIS: 3/8 X 1-5/16	62185	2
8	COTTER, RUE RING: 5/16 - 3/8	79291	2
9	CAPSCREW, HX HD: 3/8-16 X 2-3/4 GR 5	79313	1
10	FLAT WASHER: 3/8	90600	3
11	LOCKNUT, NYLOCK: 3/8-16	79273	1
12	LOCKWASHER, SPLIT SPRNG: 5/16	79267	2



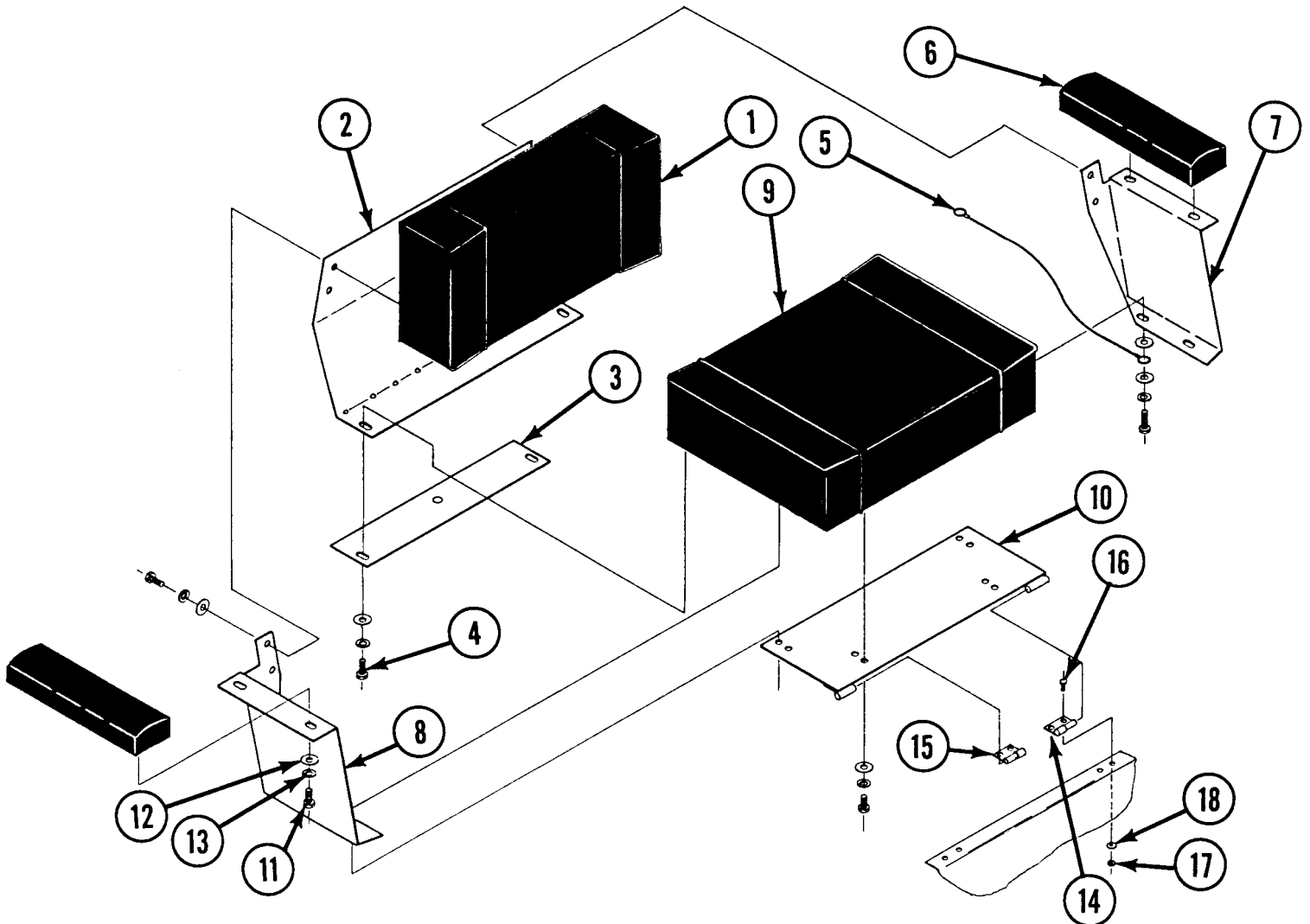
SEAT PARTS, 1810 & 2010

ITEM	DESCRIPTION	PART NO.	QTY.
--	DELUXE SEAT ASSEMBLY (ORANGE)	79097	1
1	BACK CUSHION ASSEMBLY	79002	1
2	BACK REST COVER	62020	1
3	ACTUATOR WELDMENT, SEAT SWITCH	62018	1
4	CAPSCREW, HX HD: 5/16-18 X 1 GR 5	90636	8
5	CABLE ASSEMBLY, SEAT	79089	1
6	ARM CUSHION ASSEMBLY	79004	2
7	ARM SUPPORT LEFT	62095	1
8	ARM SUPPORT RIGHT	62096	1
9	SEAT CUSHION ASSEMBLY	79003	1
10	SEAT HINGE WELDMENT	62153	1
11	CAPSCREW, HX HD: 5/16-18 X 3/4 GR 5	79315	4
12	FLAT WASHER: 5/16	79263	13
13	LOCKWASHER, SPLT SPRNG: 5/16	79267	12
14	SEAT HINGE, LH	62152	1
15	SEAT HINGE, RH	62151	1
16	CAPSCREW, HX HD: 1/4-20 X 5/8, GR 5	79344	4
17	LOCKNUT, NYLOCK: 1/4-20	79260	4
18	FLAT WASHER: 1/4	79410	4



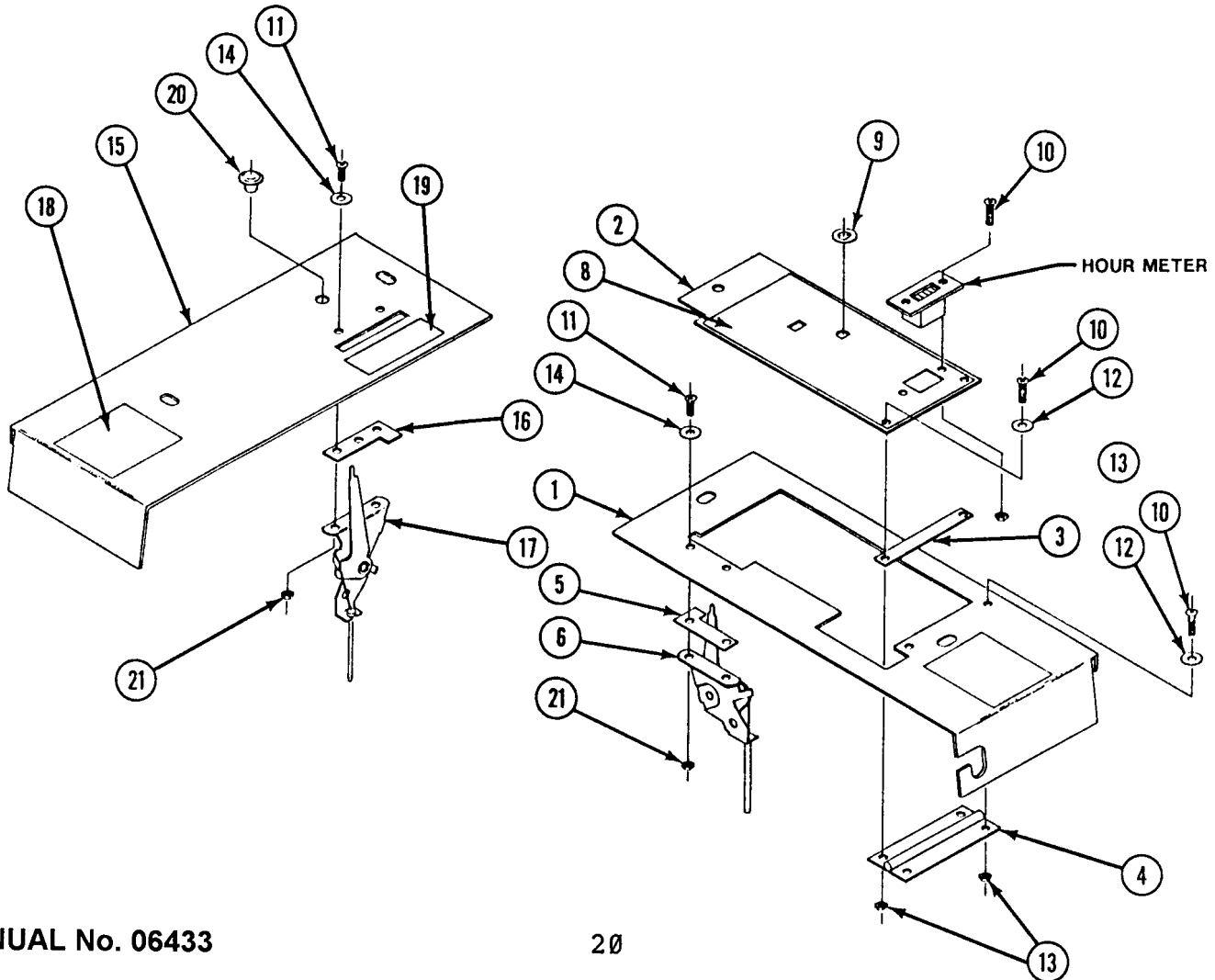
SEAT PARTS, ZU2013K

ITEM	DESCRIPTION	PART NO.	QTY.																															
--	DELUXE SEAT ASSEMBLY (RED)	62136	1																															
1	BACK CUSHION ASSEMBLY	79002	1																															
2	BACK REST COVER	62137	1																															
3	ACTUATOR WELDMENT, SEAT SWITCH	79109	1																															
4	CAPSCREW, HX HD: 5/16-18 X 1 GR 5	90636	8																															
5	CABLE ASSEMBLY, SEAT	62105	1																															
6	ARM CUSHION ASSEMBLY	79502	2																															
7	ARM SUPPORT LEFT	79006	1																															
8	ARM SUPPORT RIGHT	79007	1																															
9	SEAT CUSHION ASSEMBLY	79003	1																															
10	SEAT HINGE WELDMENT	62154	11	CAPSCREW, HX HD: 5/16-18 X 3/4 GR 5	79315	4	12	FLAT WASHER: 5/16	79263	13	13	LOCKWASHER, SPLT SPRNG: 5/16	79267	12	14	SEAT HINGE, LH	79928	1	15	SEAT HINGE, RH	79927	1	16	CAPSCREW, HX HD: 1/4-20 X 5/8 GR 5	79344	4	17	LOCKNUT, NYLOCK: 1/4-20	90052	4	18	FLAT WASHER: 1/4	79410	4
11	CAPSCREW, HX HD: 5/16-18 X 3/4 GR 5	79315	4																															
12	FLAT WASHER: 5/16	79263	13																															
13	LOCKWASHER, SPLT SPRNG: 5/16	79267	12																															
14	SEAT HINGE, LH	79928	1																															
15	SEAT HINGE, RH	79927	1																															
16	CAPSCREW, HX HD: 1/4-20 X 5/8 GR 5	79344	4																															
17	LOCKNUT, NYLOCK: 1/4-20	90052	4																															
18	FLAT WASHER: 1/4	79410	4																															



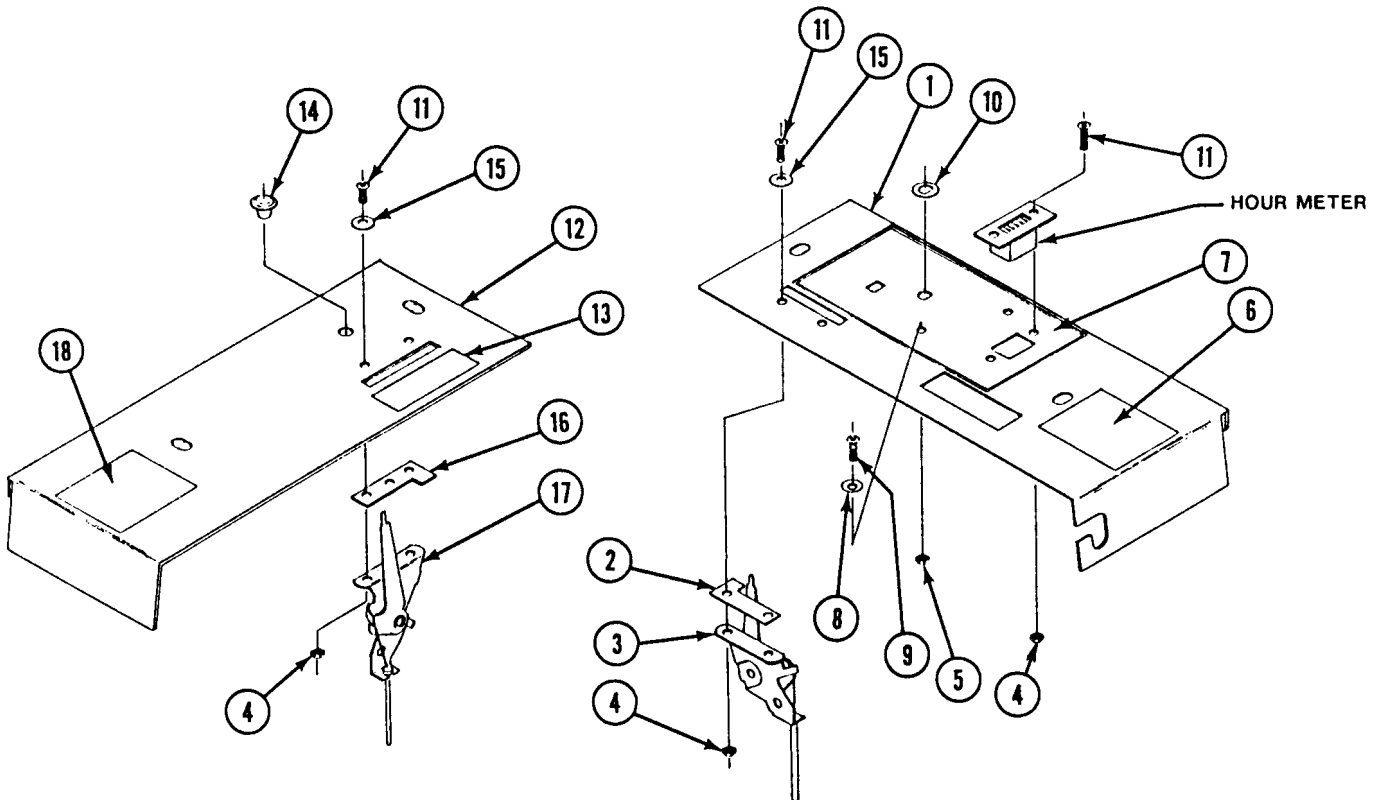
FENDER CAP PARTS, 1810 & 2010

ITEM	DESCRIPTION	PART NO.	QTY.
FENDER CAP PARTS, RH			
1	FENDER CAP, RH (ORANGE)	62123	1
2	INSTRUMENT PANEL (ORANGE)	62073	1
3	HINGE SHIM	62074	1
4	HINGE	62072	1
5	THROTTLE STOP PLATE	62225	1
6	THROTTLE CABLE	62106	1
7	DECAL, "CAUTION..TO AVOID.."	79239	1
8	DECAL, INST. PANEL	62192	1
9	D-WASHER FOR CLUTCH SWITCH	79890	1
10	SCREW, MACHINE: 8-32 X 3/4	79849	6
11	SCREW, MACHINE: 6-32 X 5/8	79825	4
12	FLAT WASHER:	79826	4
13	LOCKNUT, NYLOCK: 8-32	79828	6
14	FLAT WASHER:NO.6	79829	4
FENDER CAP PARTS, LH			
15	FENDER CAP, LH (ORANGE)	62124	1
16	CHOKE STOP PLATE	62226	1
17	CHOKE CABLE	79140	1
18	DECAL, "CAUTION..TO AVOID.."	79238	1
19	DECAL, "CHOKE"	62193	1
20	PLASTIC PLUG	62186	1
21	LOCKNUT, NYLOCK: 6-32	79310	4



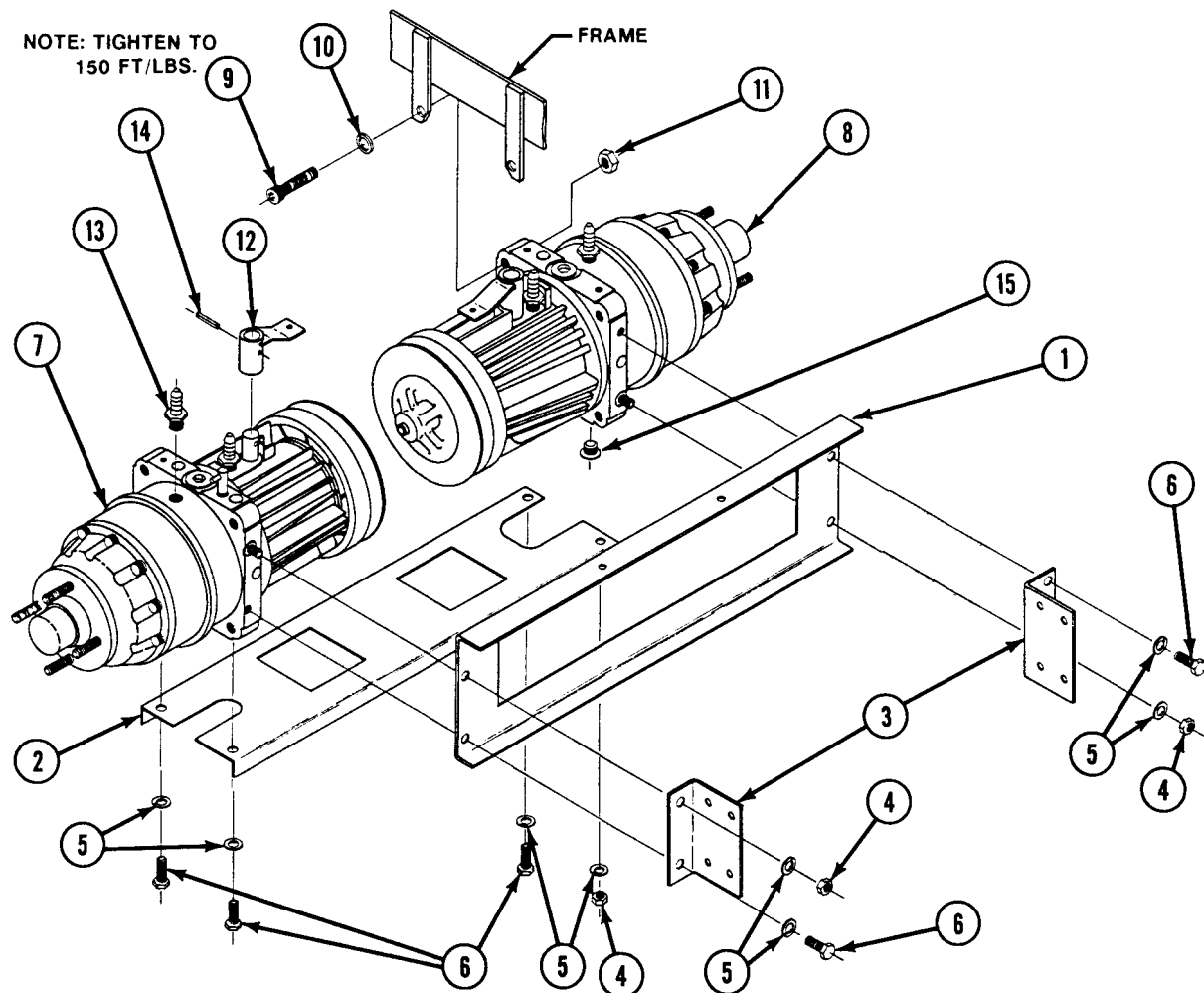
FENDER CAP PARTS, ZU2010K

ITEM	DESCRIPTION	PART NO.	QTY.
FENDER CAP PARTS, RH			
1	FENDER CAP, RH (RED)	62125	1
2	THROTTLE STOP PLATE	62225	1
3	THROTTLE CABLE	62106	1
4	LOCKNUT, NYLOCK: 6-32	79310	6
5	LOCKNUT, NYLOCK: 8-32	79828	2
6	DECAL, "CAUTION..TO AVOID.."	79239	1
7	HOUR METER	79203	1
8	DECAL, INST. PANEL	62192	1
9	FLATWASHER; NO.8	79826	2
10	SCREW, MACHINE: 8-32 X 3/4	79849	2
11	D-WASHER	79890	1
12	SCREW, MACHINE: 6-32 X 5/8	79825	6
FENDER CAP PARTS, LH			
13	FENDER CAP, LH (RED)	62126	1
14	DECAL, "CHOKE"	62193	1
15	PLASTIC PLUG	62186	1
16	FLAT WASHER: NO.6	79829	6
17	CHOKE STOP PLATE	62226	1
18	CHOKE CABLE	79140	1
19	DECAL, "CAUTION..TO AVOID.."	79238	1



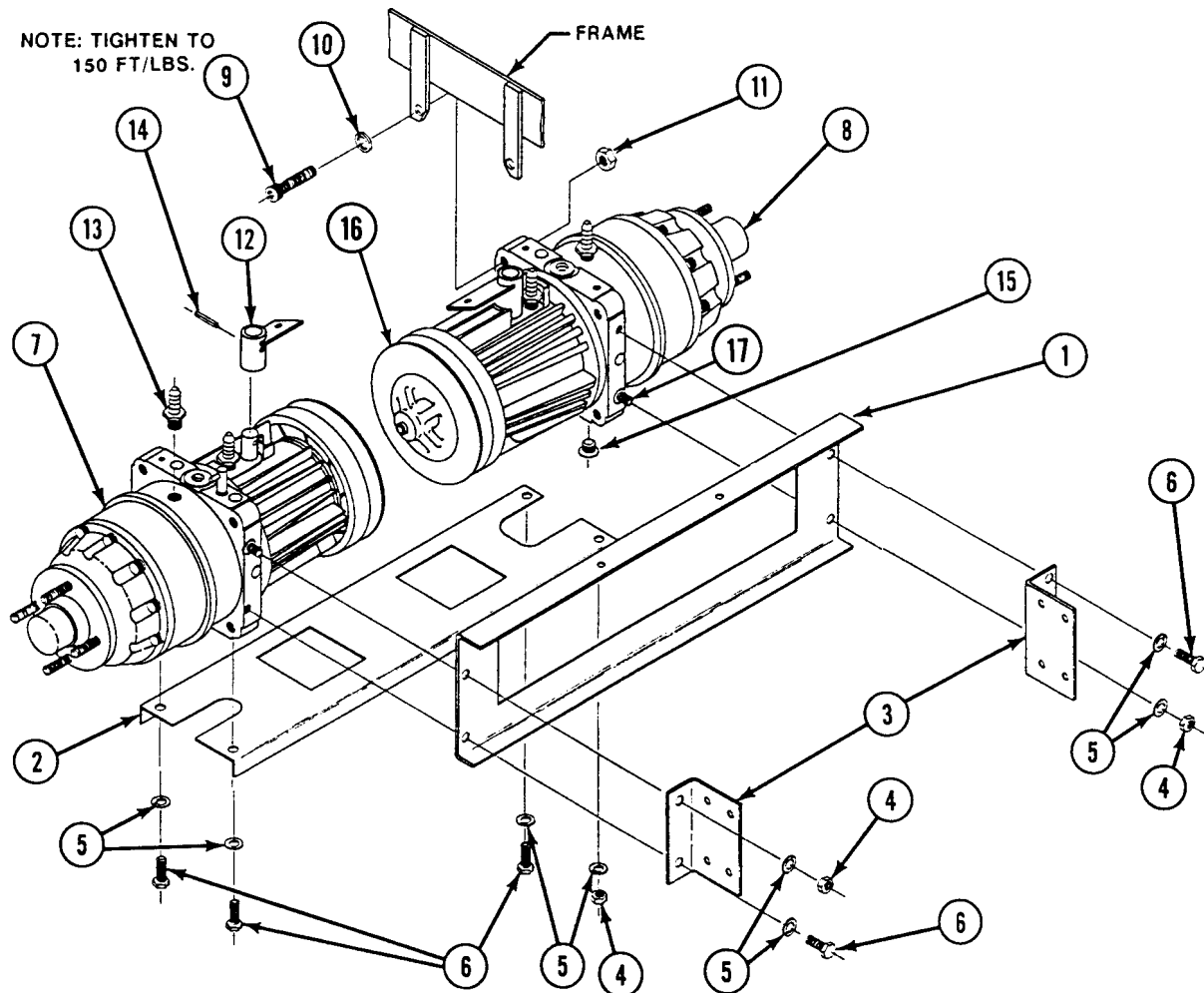
TRANSMISSION ASSEMBLY PARTS, 1810 & 2010

ITEM	DESCRIPTION	PART NO.	QTY.
	UNISTAT TRANSMISSION ASSEMBLY		
1	FRONT CROSS MEMBER	79991	1
2	BOTTOM CROSS MEMBER	79992	1
3	DRAG BAR MOUNT	79993	2
4	NUT, HEX: 1/2-13	79936	3
5	LOCKWASHER, SPLT SPRNG: 1/2	90254	8
6	CAPSCREW, HEX HEAD: 1/2-13 X 1-1/4	62038	5
7	UNISTAT ASSEMBLY, RH	62169	1
8	UNISTAT ASSEMBLY, LH	62170	1
9	CAPSCREW, SKT HEAD: 5/8-11 X 2-1/4	79951	4
10	LOCKWASHER, SPLT SPRNG: 5/8	79943	4
11	NUT, HEX JAM: 5/8-11	62017	4
12	SHIFT LEVER WELDMENT, RH (SHOWN REMOVED)	79994	1
--	SHIFT LEVER WELDMENT, LH	79995	1
13	HOSE BARB, UNISTAT	79965	4
14	ROLL PIN: 5/16 X 1-1/4	79364	2
15	PLUG, 3/4-16 W/ O-RING	62180	4



TRANSMISSION ASSEMBLY PARTS, ZU2013K

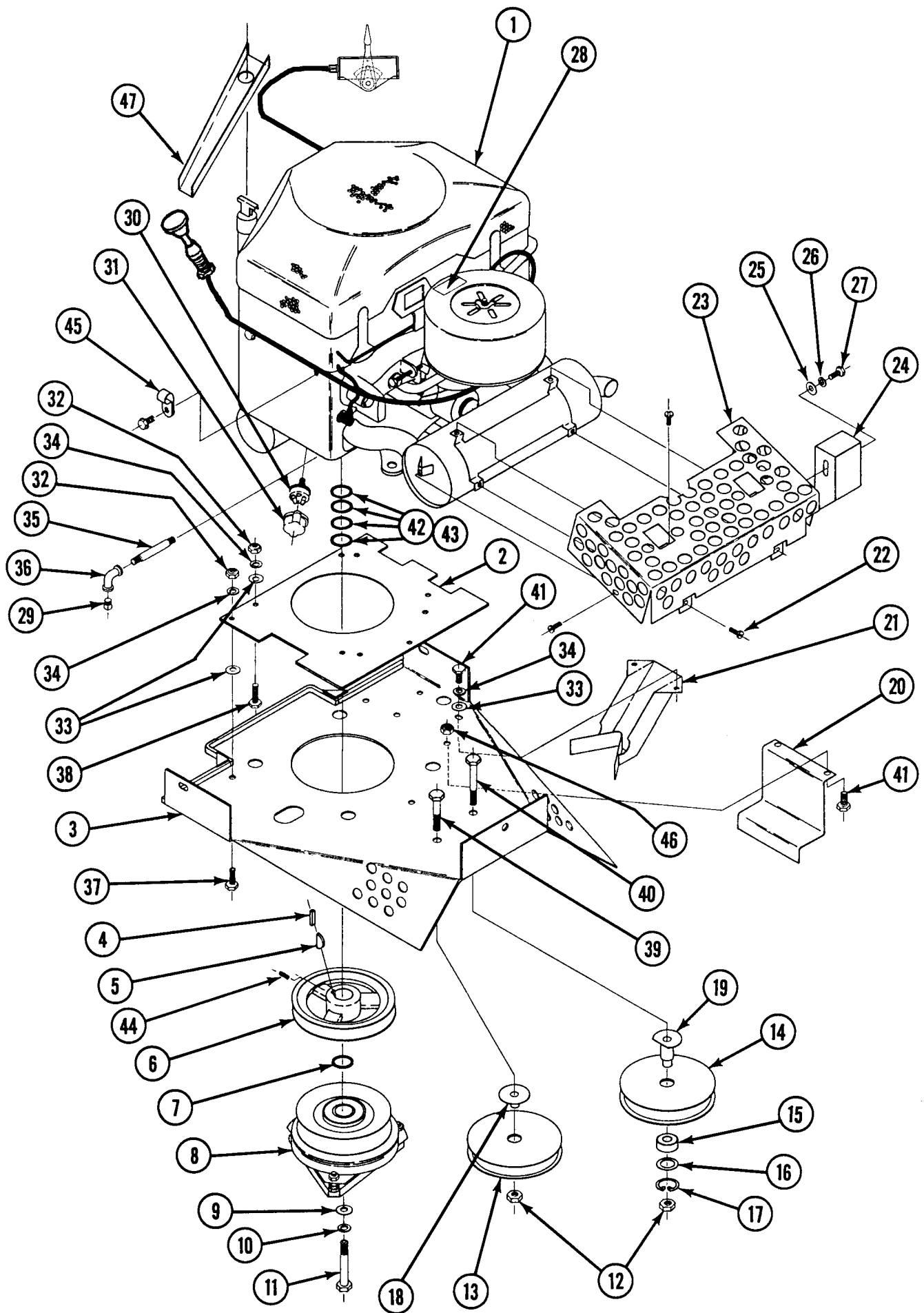
ITEM	DESCRIPTION	PART NO.	QTY.
	UNISTAT TRANSMISSION ASSEMBLY		
1	FRONT CROSS MEMBER	62140	1
2	BOTTOM CROSS MEMBER	79992	1
3	DRAG BAR MOUNT	62229	2
4	NUT, HEX: 1/2-13	79936	3
5	LOCKWASHER, SPLT SPRNG: 1/2	90254	8
6	CAPSCREW, HX HD: 1/2-13 X 1-1/4	62038	5
7	UNISTAT ASSEMBLY, RH	62205	1
8	UNISTAT ASSEMBLY, LH	62206	1
9	CAPSCREW, SKT HD: 5/8-11 X 2-1/4	79951	4
10	LOCKWASHER, SPLT SPRNG: 5/8	79943	4
11	NUT, HEX JAM: 5/8-11	62017	4
12	SHIFT LEVER WELDMENT, RH (SHOWN REMOVED)	62100	1
--	SHIFT LEVER WELDMENT, LH	62101	1
13	HOSE BARB, UNISTAT	79965	4
14	ROLL PIN: 5/16 X 1-1/4	79364	2
15	PLUG, 3/4-16 W/ O-RING	62180	4
16	PULLEY	608-305P	1
17	FASTENER	608-276A	1



ENGINE ASSEMBLY PARTS

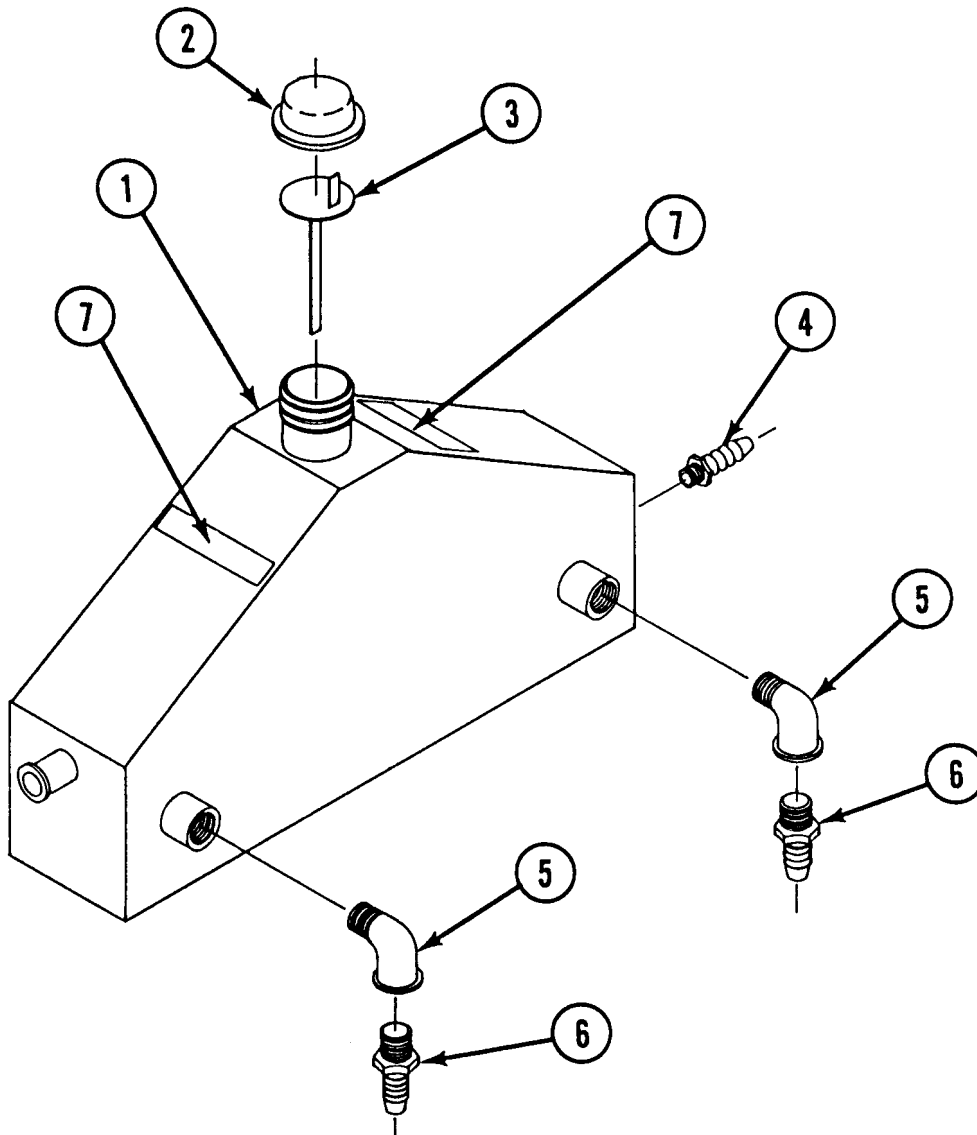
ITEM	DESCRIPTION	PART NO.	QTY.
1	18 HP KOHLER, VERTICAL SHAFT ENGINE	NA	1
	20 HP KOHLER, VERTICAL SHAFT ENGINE	NA	1
2	MOTOR MOUNT PLATE	62097	1
3	MOTOR MOUNT WELDMENT	62090	1
4	KEY, 1/4 SQ. X 1 (18HP ENGINE)	79000	1
5	KEY, WOODRUFF: 1/4 X 3/4 (20HP ENGINE)	79159	1
6	PULLEY, 1" BORE (18 HP ENGINE)	79332	1
	PULLEY, 1-1/8" BORE (20 HP ENGINE)	79423	1
7	WASHER, 1" I.D. X 1/8" THK	79020	1
8	CLUTCH, ELECTRIC, 1" BORE	79446	1
9	WASHER, 15/32 I.D.	79022	1
10	LOCKWASHER, SPLT SPRNG: 7/16	90247	1
11	CAPSCREW, HX HD: 7/16-20 X 3 GR. 5	79314	1
12	LOCKNUT, NYLOCK: 1/2-13	79277	2
13	IDLER ASSEMBLY, FLAT	62079	2
14	FLAT IDLER 5" DIA.	62174	2
15	BEARING, NO.6203-2RS	62035	2
16	WASHER, SEAL	62051	2
17	SNAP RING, 40 MM BORE	62036	2
18	BUSHING, SHORT	62080	1
19	BUSHING, LONG	62092	1
20	CLUTCH STOP BRACKET (EARLY MODELS)	79996	1
21	CLUTCH STOP BRACKET (LATE MODELS)	62022	1
22	SCREW, SHEET METAL: NO.8 X 1/2	79424	6
23	MUFFLER GUARD	62052	1
24	DEFLECTOR WELDMENT	62091	1
25	FLAT WASHER, 1/4	79410	1
26	LOCKWASHER, SPLT SPRNG: 1/4	90052	1
27	CAPSCREW, HX HD: 1/4-20 X 5/8 GR 5	79405	1
28	DECAL, "PERIODICALLY CLEAN"	79237	1
29	PLUG, PIPE: 3/8	79367	1
30	SWITCH, OIL PRESSURE DUAL CIRCUIT	79546	1
31	BOOT, OIL PRESSURE SWITCH	79557	1
32	NUT, HEX: 5/16-24 GRADE 5	79324	7
33	FLAT WASHER: 5/16	79263	9
34	LOCKWASHER, SPLT SPRNG: 5/16	79267	9
35	NIPPLE, 3/8 X 2-1/2 SCH. 40 BLACK	62165	1
36	ELBOW, 3/8, 90D, SCH. 40 CAST IRON	79210	1
37	CAPSCREW, HX HD: 5/16-24 X 1-1/2 GR 5	79325	4
38	CAPSCREW, HX HD: 5/16-24 X 1 GR 5	90238	3
39	CAPSCREW, HX HD: 1/2-13 X 2 GR 5	79276	1
40	CAPSCREW, HX HD: 1/2-13 X 2-3/4 GR 5	62162	1
41	CAPSCREW, HX HD: 5/16-18 X 3/4 GR 5	79315	2
42	WASHER, 1" I.D. (18 HP ENGINE)	79020	5
43	WASHER, 1-1/8" I.D. (20 HP ENGINE)	79426	5
44	SETScrew, SKT HD: 5/16-18 X 3/8	79823	1
45	NYLON LOOP CLAMP, 1/2	62187	1
46	LOCKNUT, NYLOCK: 5/16-18	90717	2
47	OIL DEFLECTOR	62230	1

DRIVE BELT, A128 WITH KEVLAR CORD 79934 1



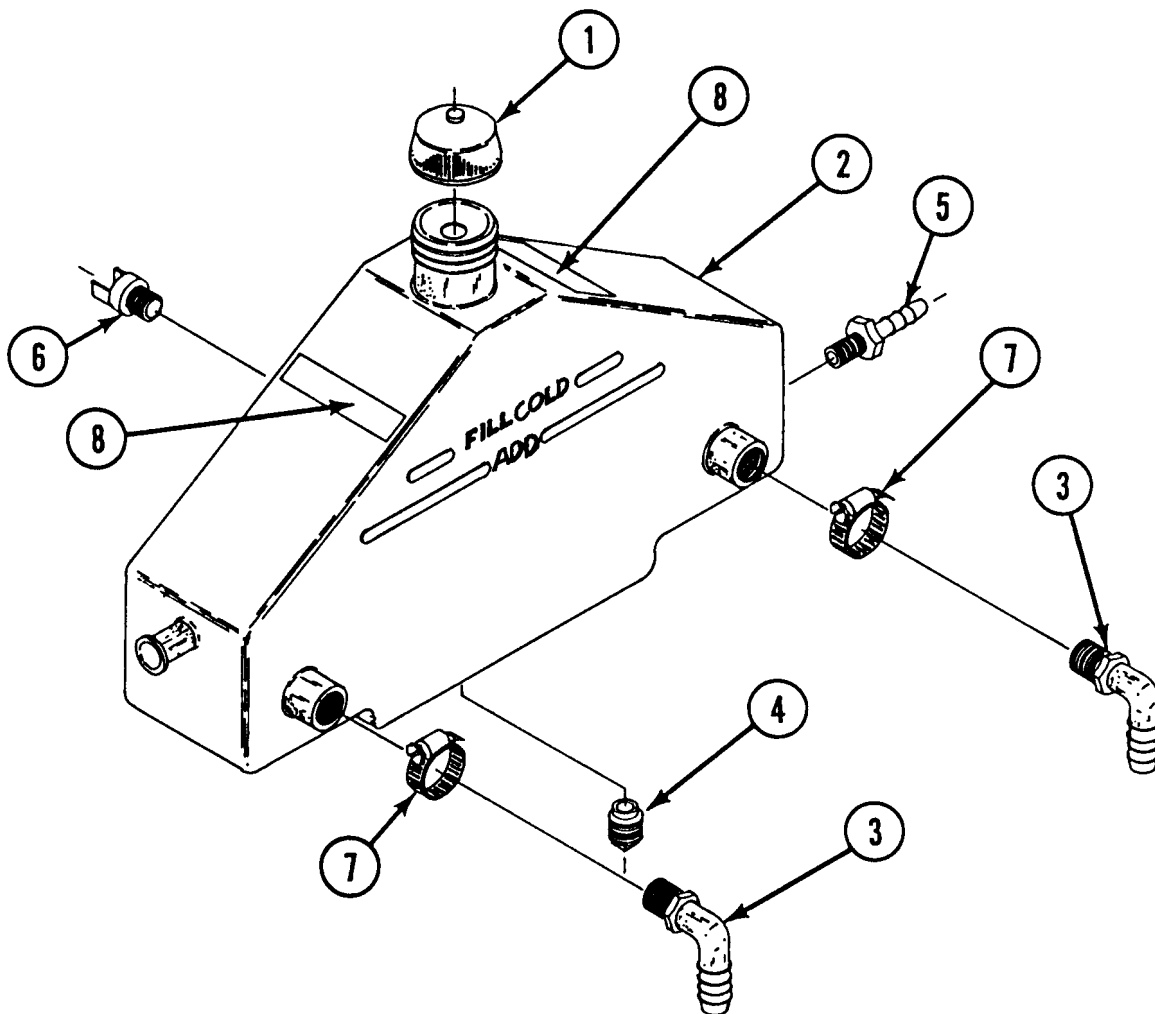
OIL TANK PARTS, 1810 & 2010

ITEM	DESCRIPTION	PART NO.	QTY.
1	OIL TANK WELDMENT	62012	1
2	OIL TANK CAP	62031	1
3	DIPSTICK WELDMENT	62021	1
4	HOSE BARB, 1/4 HOSE X 1/4 NPTM	79959	1
5	STREET EL, 1/2 BRASS	79960	2
6	HOSE BARB, 3/4 HOSE X 1/2 NPTM	79961	2
7	DECAL, "TRANSMISSION FLUID.."	79963	2



OIL TANK PARTS, ZU2013K

ITEM	DESCRIPTION	PART NO.	QTY.
1	OIL CAP	62166	1
2	OIL TANK, NYLON	62167	1
3	ELBOW, 3/4 HOSE X 1/2 NPTM	62168	2
4	MAGNETIC PLUG, 1/2 NPTM NYLON	62189	1
5	HOSE BARB, 1/4 HOSE X 1/8 NPTM	79568	1
6	TEMPERATURE SWITCH ASSEMBLY	62150	1
7	HOSE CLAMP, 1/2 - 1-1/4 HOSE	79952	3
8	DECAL, "TRANSMISSION FLUID.."	79963	2



48" DECK ASSEMBLY PARTS, 1810 & 2010

ITEM	DESCRIPTION	PART NO.	QTY.
	48" DECK ASSEMBLY (REG. MNTG.)	80161	1
1	DECK WELDMENT	62207	1
2	DECK CHUTE ASSEMBLY	62211	1
3	CHUTE DEFLECTOR	79051	1
4	SINGLE IDLER ASSEMBLY	79016	1
5	ROLLER SPACER BUSHING	79023	5
6	PIN, HAIR SPRING: 1/8 X 2-1/2	79289	4
7	DECK BELT, AP105	79182	1
8	LOCKNUT, NYLOCK: 5/16-18	90717	8
9	LOCKNUT, STOVER: 3/8-16	79261	2
10	FLAT WASHER, STD: 1/4	79410	4
11	FLAT WASHER, STD: 5/16	79263	12
12	FLAT WASHER, STD: 3/8	90600	9
13	LOCKWASHER, SPLT SPRNG: 1/4	90052	4
14	LOCKWASHER, SPLT SPRNG: 5/16	79267	4
15	LOCKNUT, NYLOCK: 3/8-16	79273	9
16	CAPSCREW, HX HD: 1/4-20 X 3/4 GR5	90073	4
17	ROLLER, LOW DENSITY POLYETHYLENE	79226	5
18	DECAL, BLOODY STUMP	79234	2
19	DECAL, "WARNING ALL DECKS..."	79240	1
20	DECAL, CHUTE (SAFETY)	79242	1
21	DECAL, "4800"	79246	1
22	CAPSCREW, HX HD: 3/8-16 X 5 GR 5	79597	3
23	CAPSCREW, HX HD: 3/8-16 X 7/8 GR 5	90603	8
24	LIP BAFFLE, RH	62212	1
25	LIP BAFFLE, LH	62213	1
26	BOLT, CARRIAGE: 5/16-18 X 3/4	79438	8
27	PULLEY COVER	62215	2
28	REAR ANTI-SCALP BRACKET	62214	2
29	CAPSCREW, HX HD: 3/8-16 X 4-1/2 GR 5	90591	2
30	DECAL, "GREASE SPINDLES.."	62199	1
31	SPACER, DECK SPRING	79349	2
32	SPRING, EXTENSION	79217	2
33	PIN, CLEVIS: 5/16 X 1-1/4	79284	8
34	COTTER, RUE RING: 5/16-3/8 PIN	79291	6
35	CAPSCREW, HX HD: 5/16-18 X 3/4 GR 5	79315	4
36	PIN, HAIR SPRING: .080 X 9/16	79282	2
37	BUSHING, SPLIT FLANGED: 5/8 BORE	79175	1
38	DRAG BAR WELDMENT	62210	2

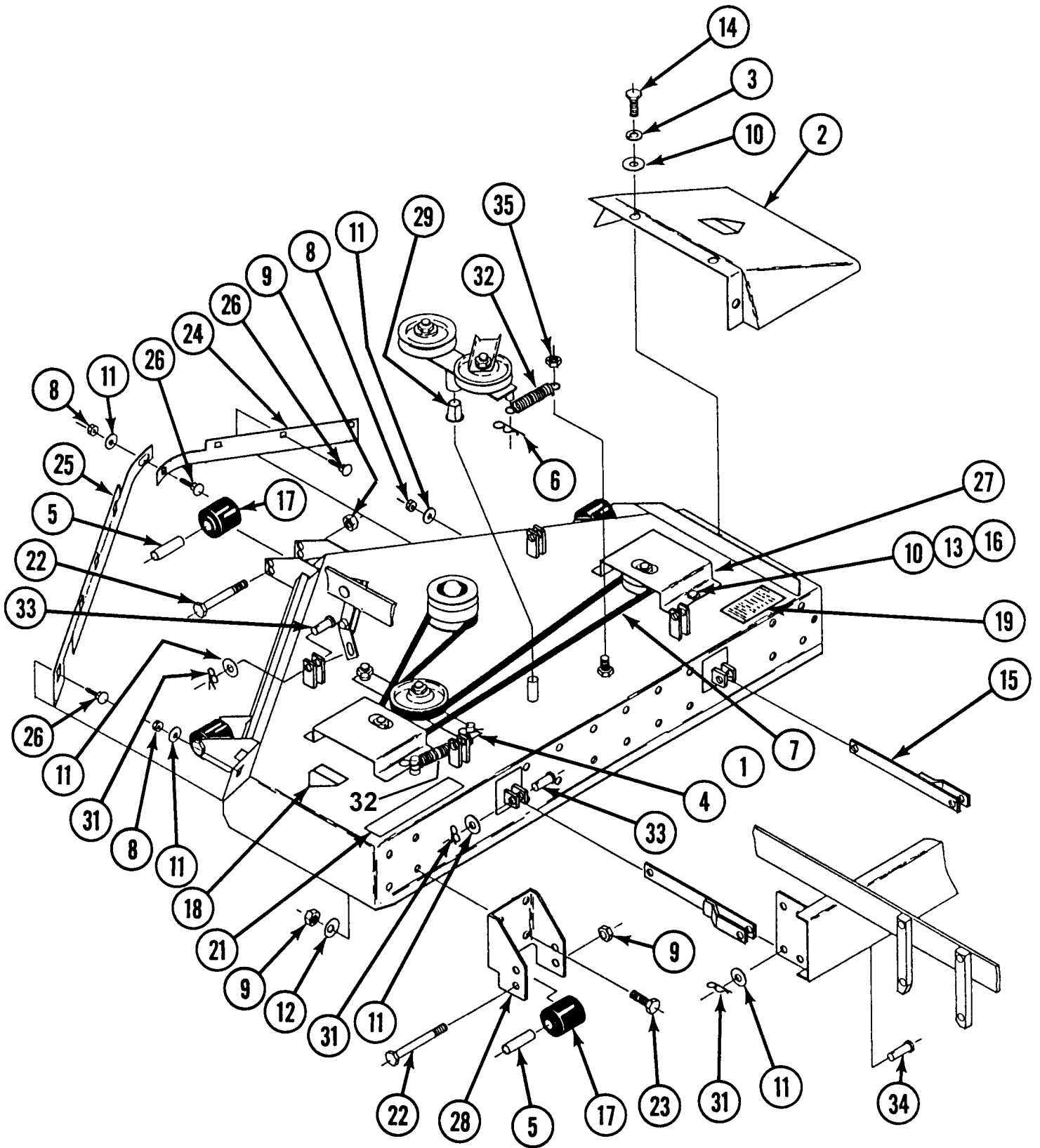
BELT - ENGINE TO DECK, B-85

62064

1

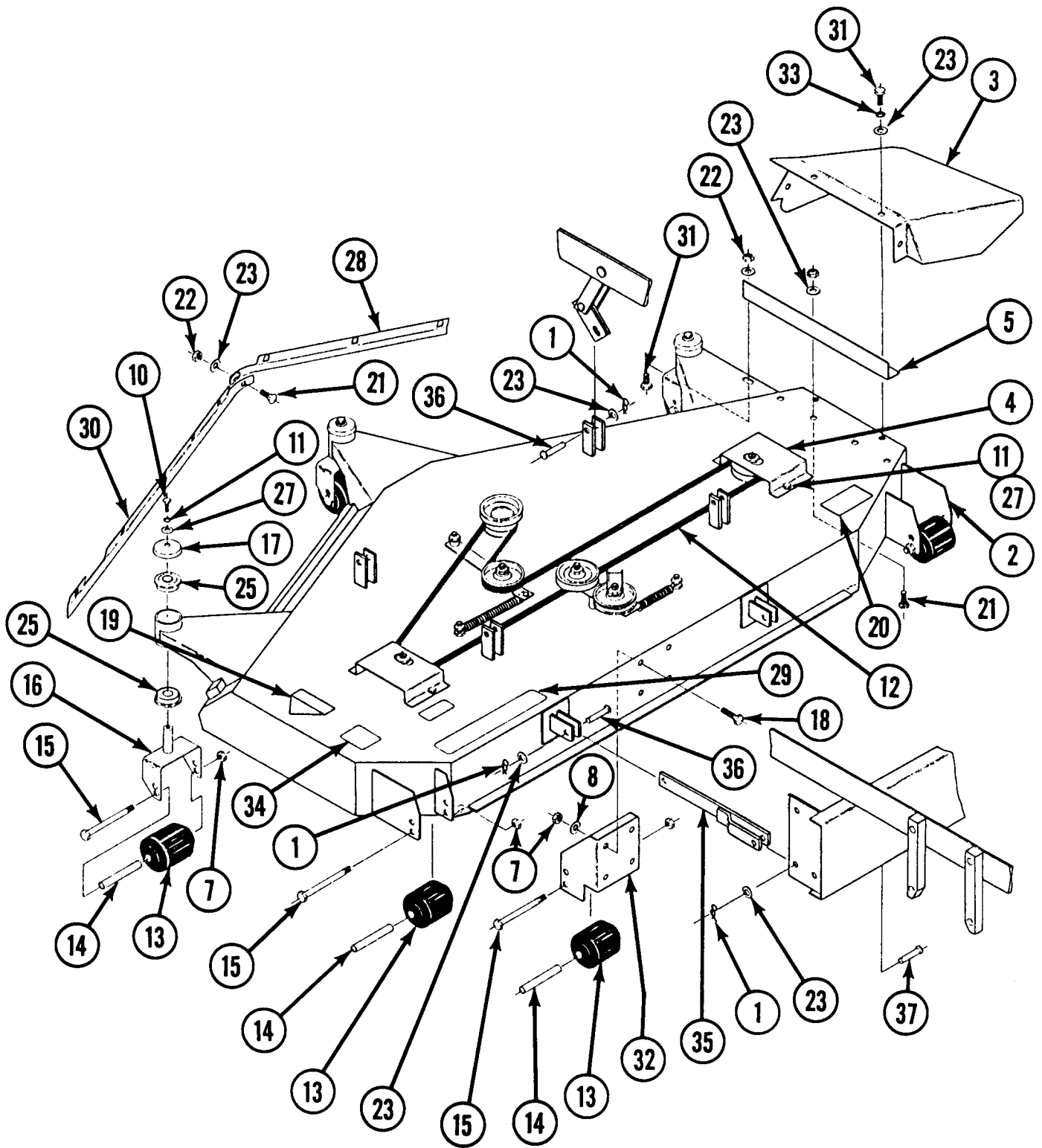
48" DECK ASSEMBLY PARTS, ZU2013K

ITEM	DESCRIPTION	PART NO.	QTY.
	48" DECK ASSEMBLY (WIDE MNTG.)	80209	1
1	DECK WELDMENT	62208	1
2	DECK CHUTE ASSEMBLY	62211	1
3	LOCKWASHER, SPLT SPRNG: 5/16	79267	4
4	SINGLE IDLER ASSEMBLY	79016	1
5	ROLLER SPACER BUSHING	79023	5
6	PIN, HAIR SPRING: 1/8 X 2-1/2	79289	2
7	DECK BELT, AP105	79182	1
8	LOCKNUT, NYLOCK: 5/16-18	90717	8
9	LOCKNUT, NYLOCK: 3/8-16	79273	14
10	FLAT WASHER, STD: 1/4	79410	4
11	FLAT WASHER, STD: 5/16	79263	12
12	FLAT WASHER, STD: 3/8	90600	9
13	LOCKWASHER, SPLT SPRNG: 1/4	90052	4
14	CAPSCREW, HX HD: 5/16-18 X 3/4 GR 5	79315	4
15	DRAG BAR WLDT	62107	2
16	CAPSCREW, HX HD: 1/4-20 X 3/4 GR5	90073	4
17	ROLLER, LOW DENSITY POLYETHYLENE	79226	5
18	DECAL, BLOODY STUMP	79234	2
19	DECAL, "WARNING ALL DECKS..."	79240	1
20	DECAL, CHUTE (SAFETY)	79242	1
21	DECAL, "ZU4813M"	62203	1
22	CAPSCREW, HX HD: 3/8-16 X 5 GR 5	79597	5
23	CAPSCREW, HX HD: 3/8-16 X 7/8 GR 5	90603	8
24	LIP BAFFLE, RH	62223	1
25	LIP BAFFLE, LH	62224	1
26	BOLT, CARRIAGE: 5/16-18 X 3/4	79438	8
27	PULLEY COVER	62215	2
28	REAR ANTI-SCALP BRACKET	62214	2
29	BUSHING, SPLIT FLANGED: 5/8 BORE	79175	1
30	DECAL, "GREASE SPINDLES.."	62199	1
31	COTTER, RUE RING: 5/16-3/8 PIN	79291	8
32	SPRING, EXTENSION	79217	2
33	PIN, CLEVIS: 3/8 X 2	79318	6
34	PIN, CLEVIS: 3/8 X 1-5/16	62185	2
35	LOCKNUT, MF: 3/8-24	79327	2
	BELT - ENGINE TO DECK, BP-84	79563	1



60" DECK ASSEMBLY PARTS, ZU2013K

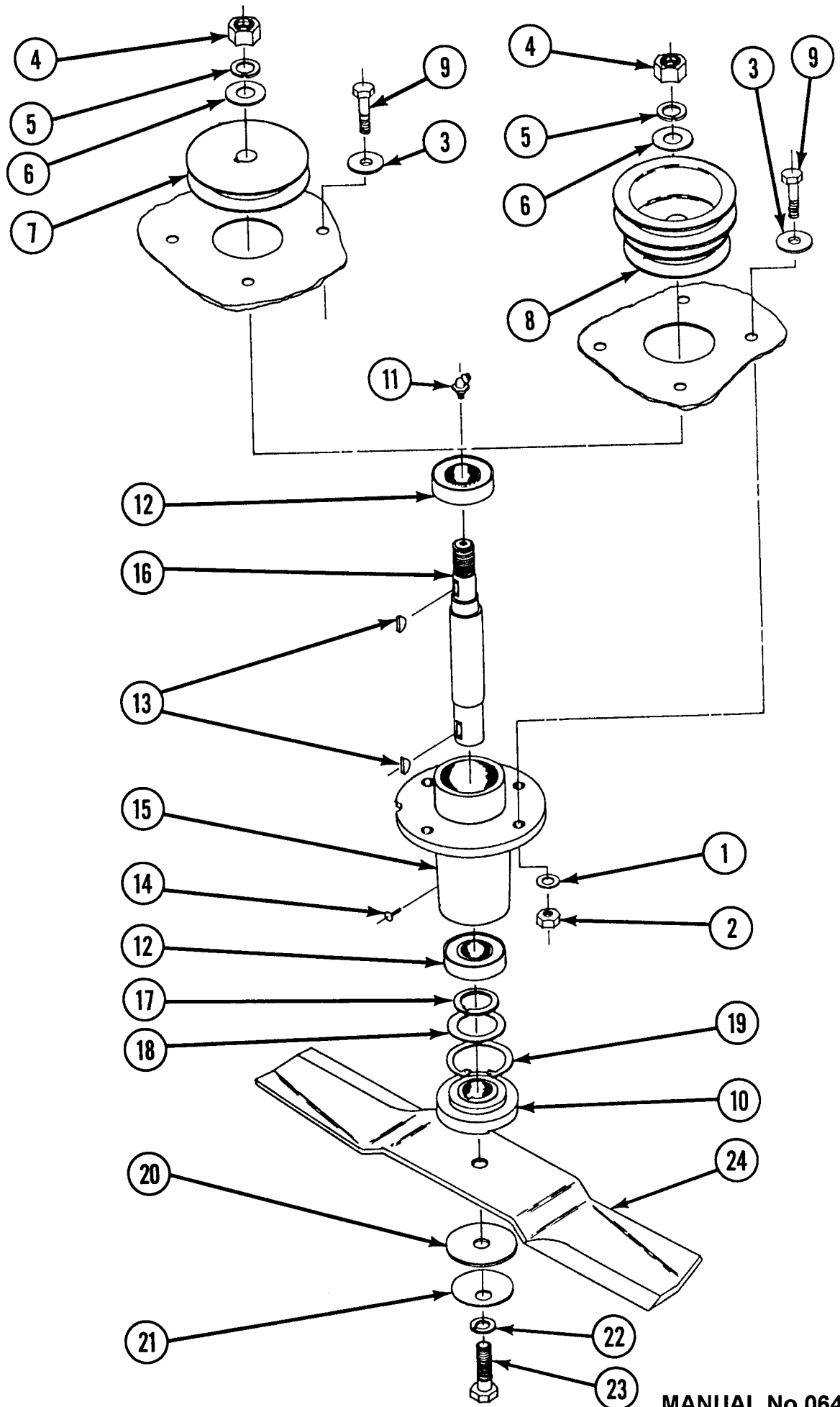
ITEM	DESCRIPTION	PART NO.	QTY.
	60" DECK ASSEMBLY	80193	
1	COTTER, RUE RING: 5/16 - 3/8	79291	8
2	60" DECK WELDMENT	62209	1
3	60" DECK CHUTE ASSEMBLY	62220	1
4	PULLEY COVER	62217	2
5	OUTLET STIFFENER	62218	1
6	LOCKNUT, M-F: 3/8-24 NF	79327	4
7	LOCKNUT, NYLOCK: 3/8-16	79273	11
8	FLAT WASHER, STD: 3/8	90600	7
9	CAPSCREW, HX HD: 3/8-24 X 1-1/4 GR 5	79422	2
10	CAPSCREW, HX HD: 1/4-20 X 3/4 GR 5	90073	7
11	LOCKWASHER, SPLT SPRNG: 1/4	90052	7
12	DECK BELT: A-112	79186	1
13	ROLLER, LOW DENSITY POLYETHYLENE	79868	6
14	BUSHING, ROLLER	79882	6
15	CAPSCREW, HX HD: 3/8-16 X 6 GR 5	79845	6
16	YOKE WLDT, SWIVEL	79883	3
17	BEARING CAP	79352	3
18	CAPSCREW, HX HD: 3/8-16 X 7/8 GR 5	90603	4
19	DECAL, BLOODY STUMP	79234	2
20	DECAL, CHUTE (SAFETY)	79242	1
21	BOLT, CARRIAGE: 5/16 X 3/4	79438	3
22	LOCKNUT, NYLOCK: 5/16-18	90717	13
23	FLAT WASHER, STD: 5/16	79263	17
24	DECAL, WARNING	79240	1
25	BEARING: 1" ID X 2" OD	79331	6
26	SPRING, EXTENSION	79217	2
27	FLAT WASHER, 1/4	79410	7
28	LIP BAFFLE, RH	62221	1
29	DECAL, "ZU6003M"	62202	1
30	LIP BAFFLE, LH	62222	1
31	CAPSCREW, HX HD: 5/16-18 X 3/4 GR 5	79315	1
32	REAR ANTI-SCALP BRACKET	62219	1
33	LOCKWASHER, SPLT SPRNG: 5/16	79267	4
34	DECAL, "GREASE SPINDLES.."	62199	1
35	DRAG BAR WELDMENT	62107	2
36	PIN, CLEVIS: 3/8 X 2	79318	6
37	PIN, CLEVIS: 3/8 X 1-5/16	62185	2
	BELT - ENGINE TO DECK: BP-87	62065	1



DECK SPINDLE ASSEMBLY, 1810 & 2010

ITEM	DESCRIPTION	PART NO.	QTY.
1	LOCKWASHER, SPLT SPRNG: 3/8	79268	12
2	LOCKNUT, M-F: 3/8-24NF	79327	12
3	WASHER, REINFORCEMENT	79039	12
4	NUT, HEX JAM: 3/4	79286	3
5	LOCKWASHER, SPLT SPRNG: 3/4	79287	3
6	FLAT WASHER, NARROW: 3/4	79299	3
7	PULLEY, SINGLE GROOVE: 3/4 BORE 4"OD	79037	2
8	PULLEY, 2 GROOVE: 3/4 BORE	79050	1
9	CAPSCREW, HX HD: 3/8-24NF X 1-1/2	79326	12
	DECK SPINDLE ASSEMBLY (INCH BRGS)	79048	3
10	BLADE SPACER	79035	1
11	GREASE FITTING	79384	1
12	BEARING, 1"ID X 2"OD	79173	2
13	KEY, WOODRUFF: 1/4 X 3/4	79159	2
14	DRIVE SCREW: NO.4 X 3/16	79269	1
15	DECK SPINDLE HOUSING	79034	1
16	DECK SPINDLE SHAFT	79033	1
17	ARBOR SPACER	79044	1
18	SEAL WASHER	79036	1
19	RETAINING RING	79219	1
20	WASHER	79038	1
21	WASHER, CUPPED	79296	1
22	LOCKWASHER, SPLT SPRNG: 1/2	90254	1
23	CAPSCREW, HX HD: 1/2-13 X 1-1/2 GR 5	79308	1
24	BLADE, LOW LIFT, 17" CUT (48" DECK)	79369	1

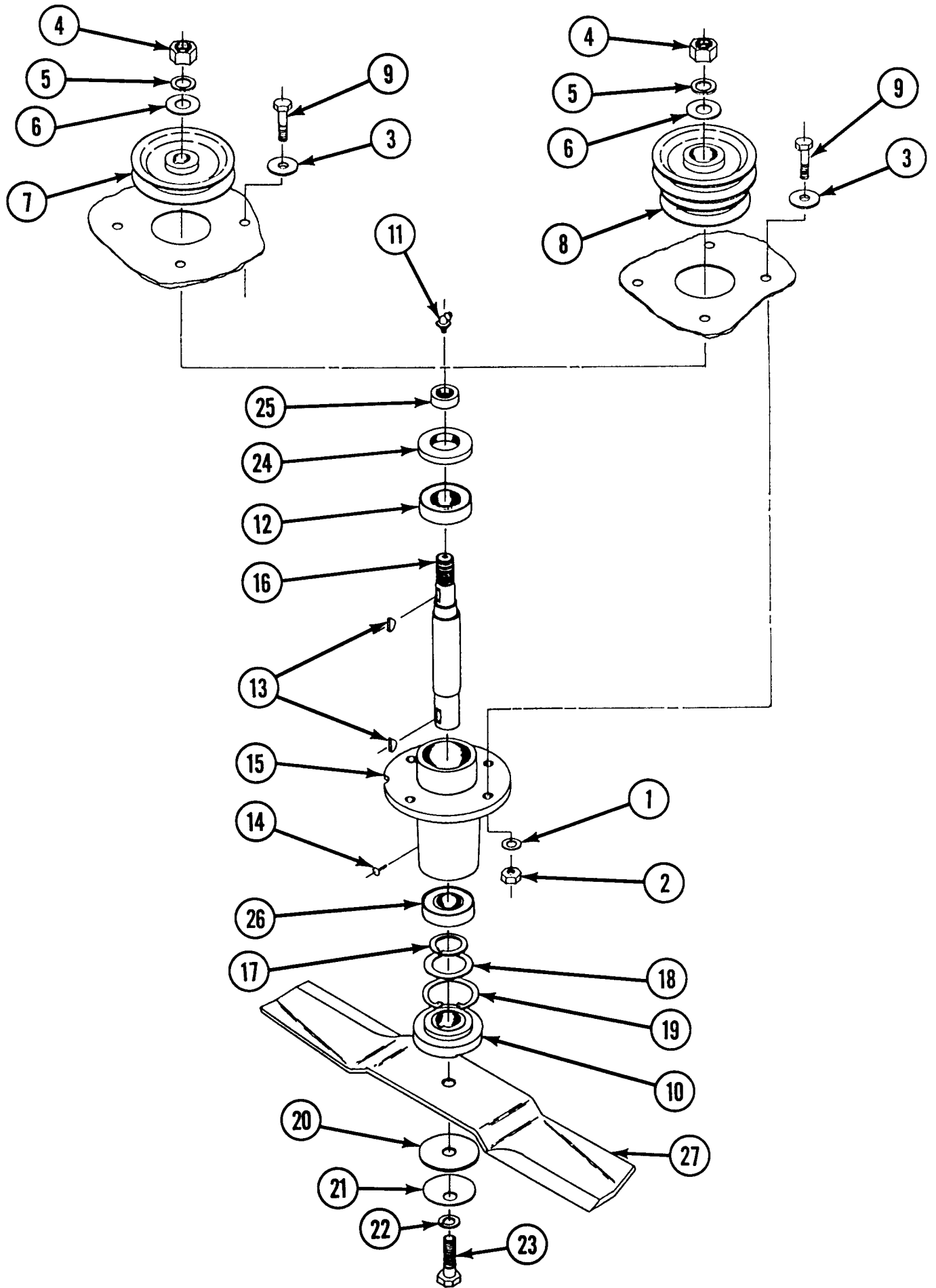
NOTE: OPTIONAL BLADE AS FOLLOWS:
 BLADE, HIGH LIFT, 17" CUT (48" DECK) 79388



DECK SPINDLE ASSEMBLY, ZU2013K

ITEM	DESCRIPTION	PART NO.	QTY.
1	LOCKWASHER, SPLT SPRNG: 3/8	79268	12
2	LOCKNUT, M-F: 3/8-24NF	79327	12
3	FLAT WASHER, STD: 3/8	90600	12
4	NUT, HEX JAM: 3/4	79286	3
5	LOCKWASHER, SPLT SPRNG: 3/4	79287	3
6	FLAT WASHER, NARROW: 3/4	79299	3
7	PULLEY, SINGLE GROOVE: 15/16 BORE 4"OD	79818	2
8	PULLEY, 2 GROOVE: 15/16 BORE	79820	1
9	CAPSCREW, HX HD: 3/8-24NF X 1-1/2	79326	12
--	DECK SPINDLE ASSEMBLY (METRIC BRGS)	62171	3
10	BLADE SPACER	79877	3
11	GREASE FITTING, 45 DEGREE	62164	1
12	BEARING, 25 MM ID (NO SEALS)	62155	1
13	KEY, WOODRUFF: 1/4 X 3/4	79159	2
14	DRIVE SCREW: NO.4 X 3/16	79269	1
15	DECK SPINDLE HOUSING	62173	1
16	DECK SPINDLE SHAFT	62172	1
17	ARBOR SPACER	79044	1
18	SEAL WASHER	79876	1
19	RETAINING RING	79855	1
20	WASHER	79038	1
21	WASHER, CUPPED	79296	1
22	LOCKWASHER, SPLT SPRNG: 1/2	90254	1
23	CAPSCREW, HX HD: 1/2-13 X 1-1/2 GR 5	79308	1
24	OIL SEAL	62183	1
25	SEAL RACE	62216	1
26	BEARING, 25 MM ID (BOTTOM SEAL ONLY)	62182	1
27	BLADE, LOW LIFT, 17" CUT (48" DECK)	79369	1
	BLADE, LOW LIFT, 21" CUT (60" DECK)	79222	1

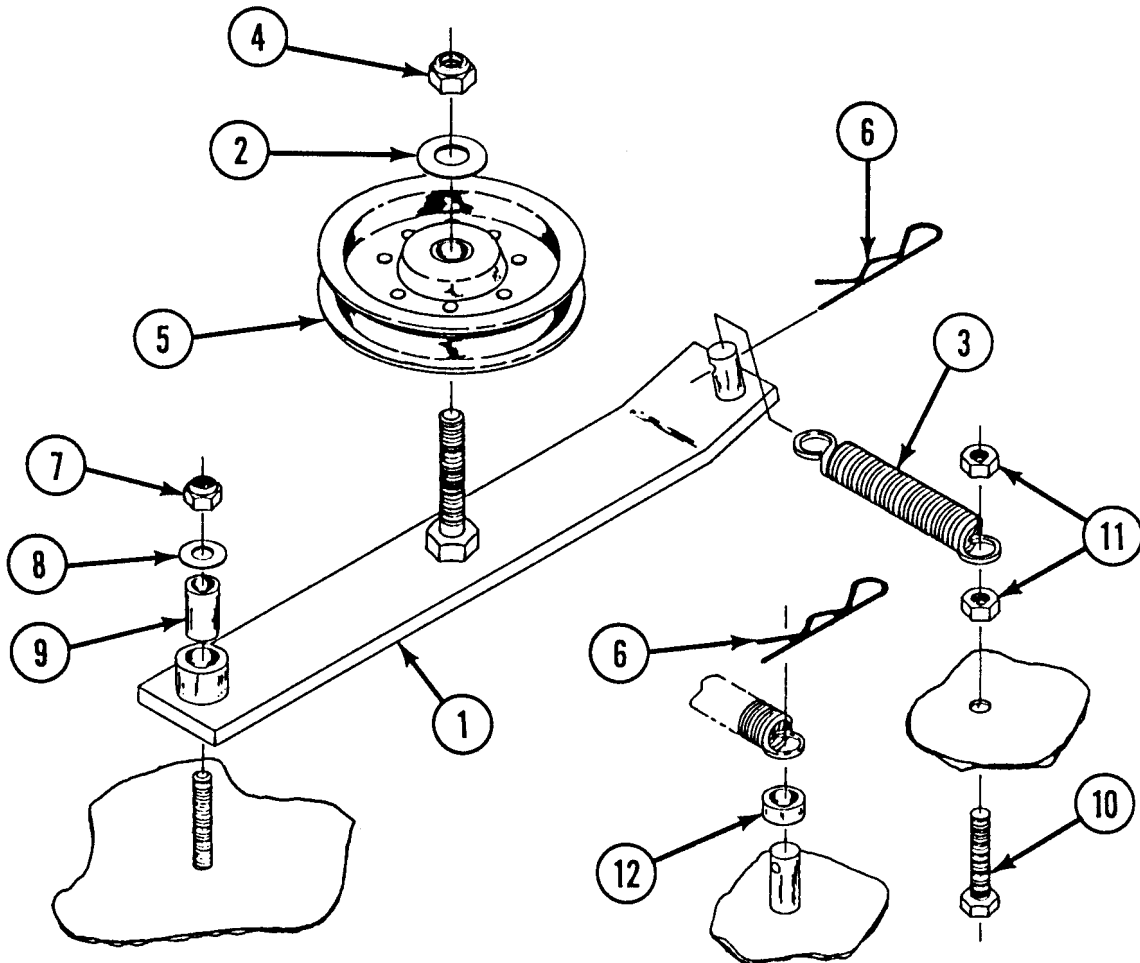
NOTE: OPTIONAL BLADES ARE AS FOLLOWS:
 BLADE, HIGH LIFT, 17" CUT (48" DECK) 79388
 BLADE, HIGH LIFT, 21" CUT (60" DECK) 79371



SINGLE IDLER ASSEMBLY PARTS

ITEM	DESCRIPTION	PART NO.	QTY.
	SINGLE IDLER ASSEMBLY	79016	1
1	SINGLE IDLER ARM WELDMENT	79015	1
2	FLAT WASHER, 1/2"	79264	1
3	SPRING, EXTENSION, 3/4 X 4" O.A.L.	79217	1
4	LOCKNUT, 1/2-13 HEX. NYLOCK	79277	1
5	PULLEY, FLAT IDLER, 1/2 BORE, 4" O.D.	79167	1
6	PIN, HAIR SPRING, 1/8 X 2-1/2	79289	1
7	LOCKNUT, 3/8-16 HEX. NYLOCK	79273	1
8	WASHER, FLAT STD. 3/8 W SERIES	90600	1
9	BEARING OILITE, 3/8 I.D. X 5/8 O.D.	79174	1
10	CAPSCREW, HX HD:3/8-24NF X 1 1/4 GR. 5	79422	1
11	LOCKNUT, 3/8-24, M-F	79327	2
12	SPRING SPACER	79349	1

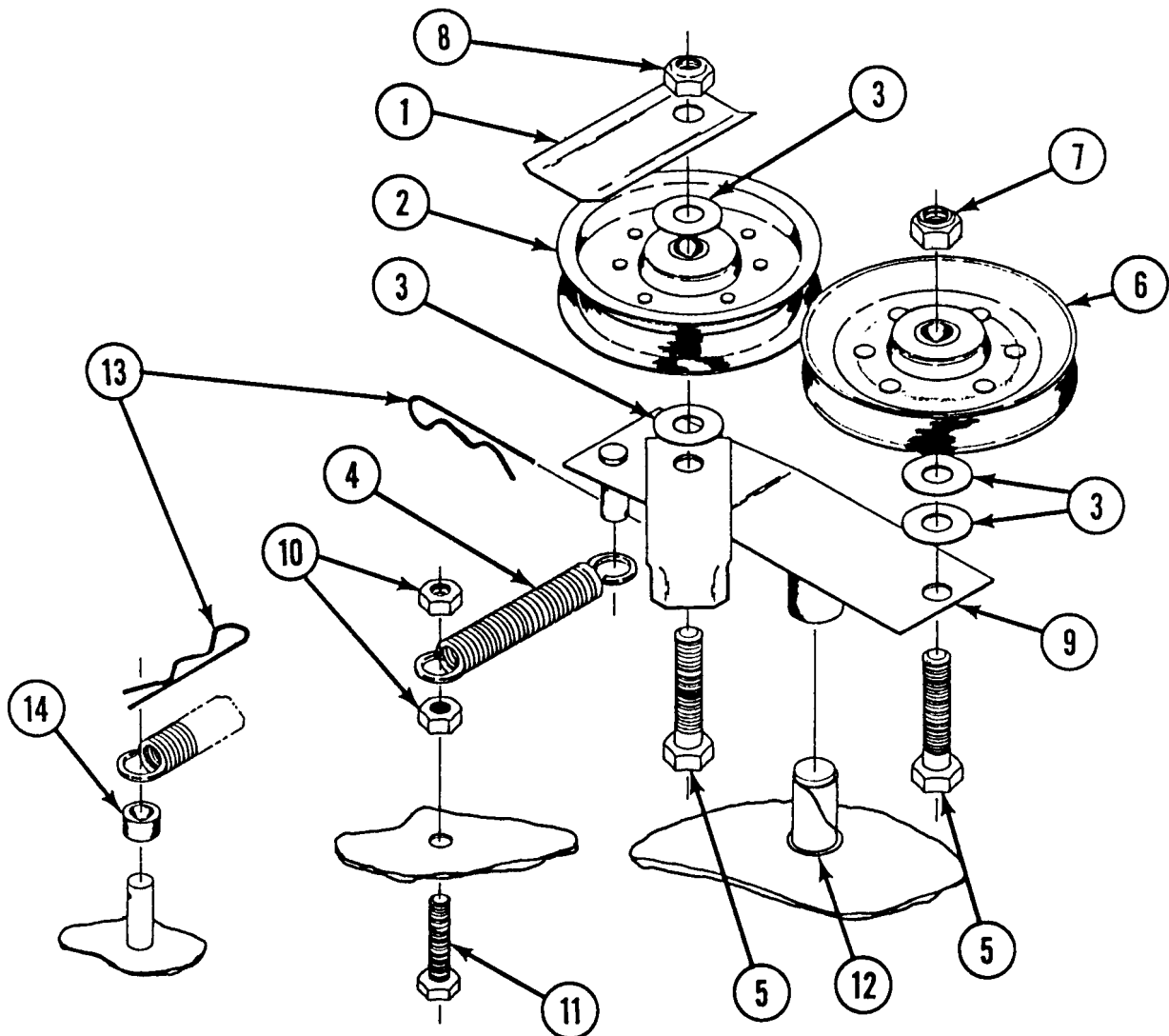
NOTE: Narrow carriage deck requires (2) of item 10 and (1) of item 11. It does not require items 7 or 8.



DOUBLE IDLER ASSEMBLY PARTS

ITEM	DESCRIPTION	PART NO.	QTY.
--	DOUBLE IDLER ASSEMBLY	79872	1
1	PLATE, BELT STOP	79032	1
2	PULLEY, FLAT IDLER 1/2 BORE, 4" O.D.	79167	1
3	FLAT WASHER, 1/2	79264	4
4	SPRING EXTENSION, 3/4 X 4" O.A.L	79217	1
5	CAPSCREW, HX HD: 1/2-13 X 2 GR.5	79276	2
6	PULLEY, V-IDLER, 1/2 BORE, 4-3/8 O.D.	79166	1
7	NUT, 1/2-13, NYLOC	79277	1
8	NUT, 1/2-13, STOVER	79262	1
9	DOUBLE IDLER WELDMENT	79873	1
10	NUT, 3/8-24, M-F LOCKNUT	79327	2
11	CAPSCREW, HX HD: 3/8-24 X 1 1/4 GR.5	79422	1
12	BUSHING, NYLON, 5/8 BORE	79175	1
13	PIN, HAIR SPRING, 1/8 X 2-1/2	79289	1
14	SPRING SPACER	79349	1

NOTE: Narrow carriage deck requires (2) of item 13 and (1) of item 14. It does not require items 10, or 11.



DECALS

DESCRIPTION	PART NO.
DECAL, "SNAPPER"	79256
DECAL, "COMMERCIAL CLIPPER"	62197
DECAL, INSTRUMENT PANEL	62192
DECAL, BLADE (FOR 1810 & 2010)	79236
DECAL, BLADE (FOR ZU2013K)	62198
DECAL, "CHOKE"	62193
DECAL, "PERIODICALLY CLEAN DEBRIS.."	79237
DECAL, "CAUTION..TO AVOID INJURY.." (LEFT SIDE)	79238
(RIGHT SIDE)	79239
DECAL, I.D. "1810" RH	62191
DECAL, I.D. "1810" LH	62190
DECAL, I.D. "2010"	62196
DECAL, I.D. "ZU2013K"	62201
DECAL, HYDRO BELT TENSION	62200
DECAL, "TRANSMISSION FLUID.."	79963
DECAL, "UNISTAT DRIVE"	62195
DECAL, WIRING (FOR 1810 & 2010)	79964
DECAL, "OPERATING INSTRUCTIONS.."	62194

DESCRIPTION	PART NO.
DECAL, BLOODY STUMP	79234
DECAL, "WARNING..ROTATING BLADES.."	79240
DECAL, "DECK CHUTE IS REMOVED.."	79242
DECAL, "GREASE SPINDLES.."	62199
DECAL, I.D. "4800" REGULAR MOUNT 48" DECK	79246
DECAL, I.D. "ZU4813M" WIDE MOUNT 48" DECK	62203
DECAL, I.D. "ZU6003M" WIDE MOUNT 60" DECK	62202

Parts Manual for

SNAPPER[®]

ZERO TURNING RADIUS RIDING MOWER MODELS 1810, 2010, AND ZU2013K

SNAPPER® McDonough, GA., 30253 U.S.A.

Printed in U.S.A

Free Manuals Download Website

<http://myh66.com>

<http://usermanuals.us>

<http://www.somanuals.com>

<http://www.4manuals.cc>

<http://www.manual-lib.com>

<http://www.404manual.com>

<http://www.luxmanual.com>

<http://aubethermostatmanual.com>

Golf course search by state

<http://golfingnear.com>

Email search by domain

<http://emailbydomain.com>

Auto manuals search

<http://auto.somanuals.com>

TV manuals search

<http://tv.somanuals.com>