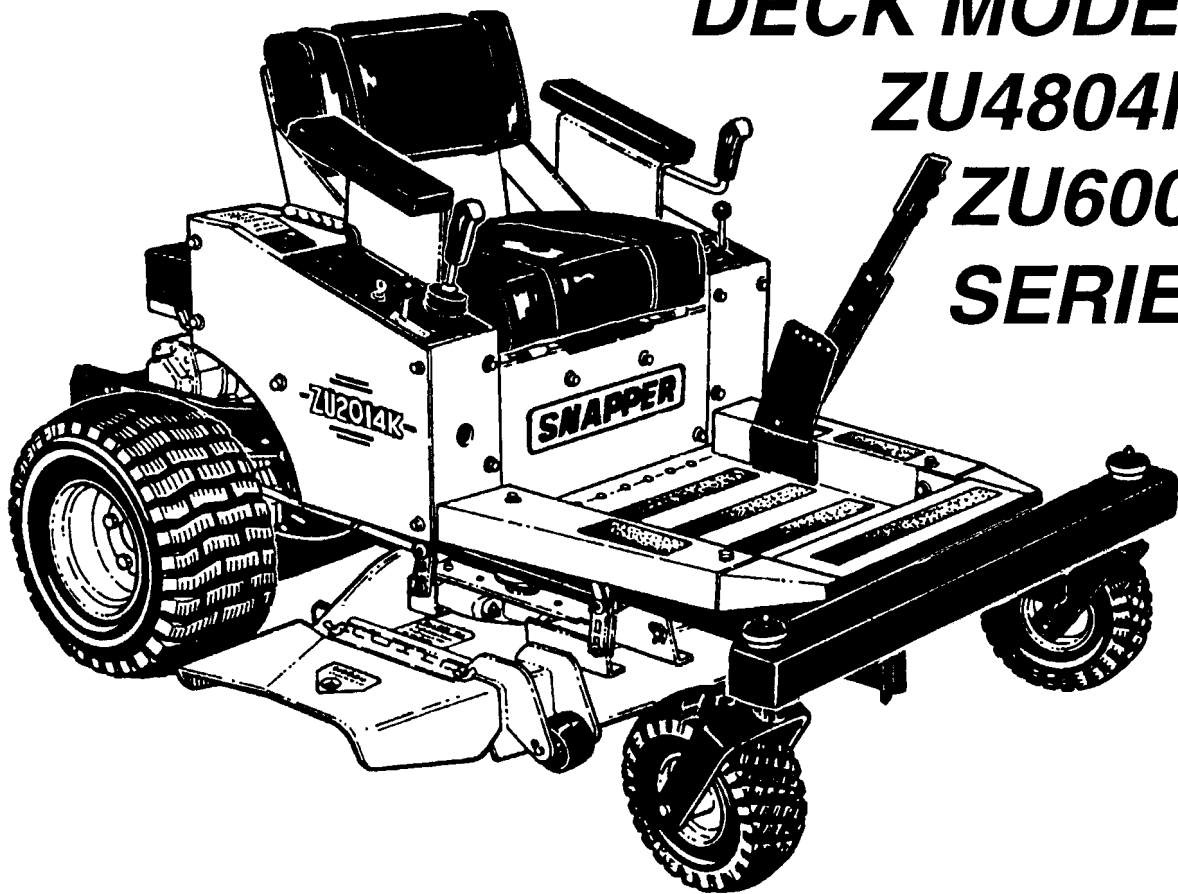


Parts Manual for

SNAPPER[®]

**ZERO TURN RADIUS MOWER
TRACTOR MODEL: ZU2014K**

**DECK MODELS:
ZU4804M &
ZU6004M
SERIES 4**



SNAPPER McDonough, GA., 30253 U.S.A.

COPYRIGHT © 1997
SNAPPER INC.
ALL RIGHTS RESERVED

(Rev. 2, 6/97)

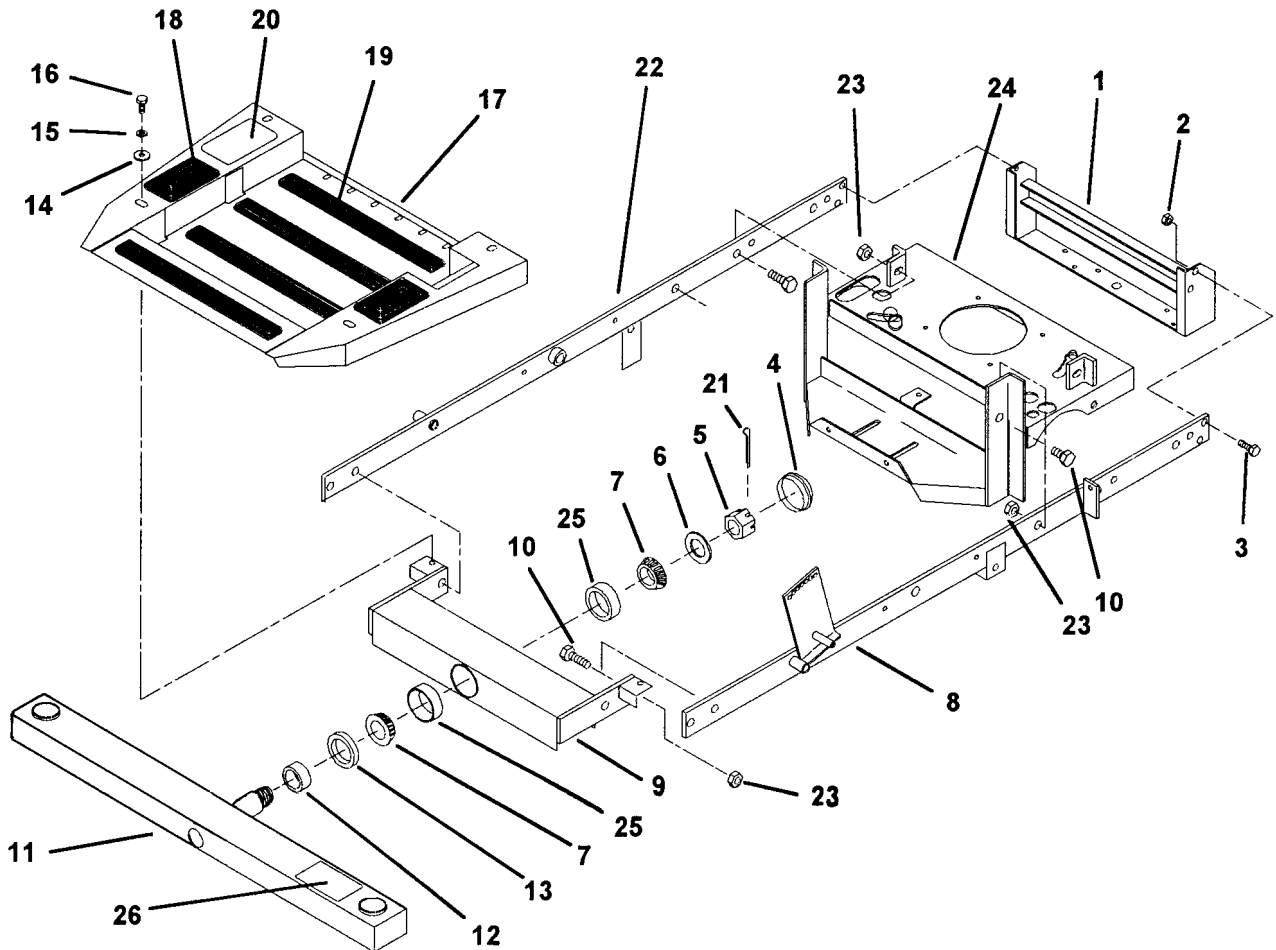
MANUAL No. 06434

TABLE OF CONTENTS

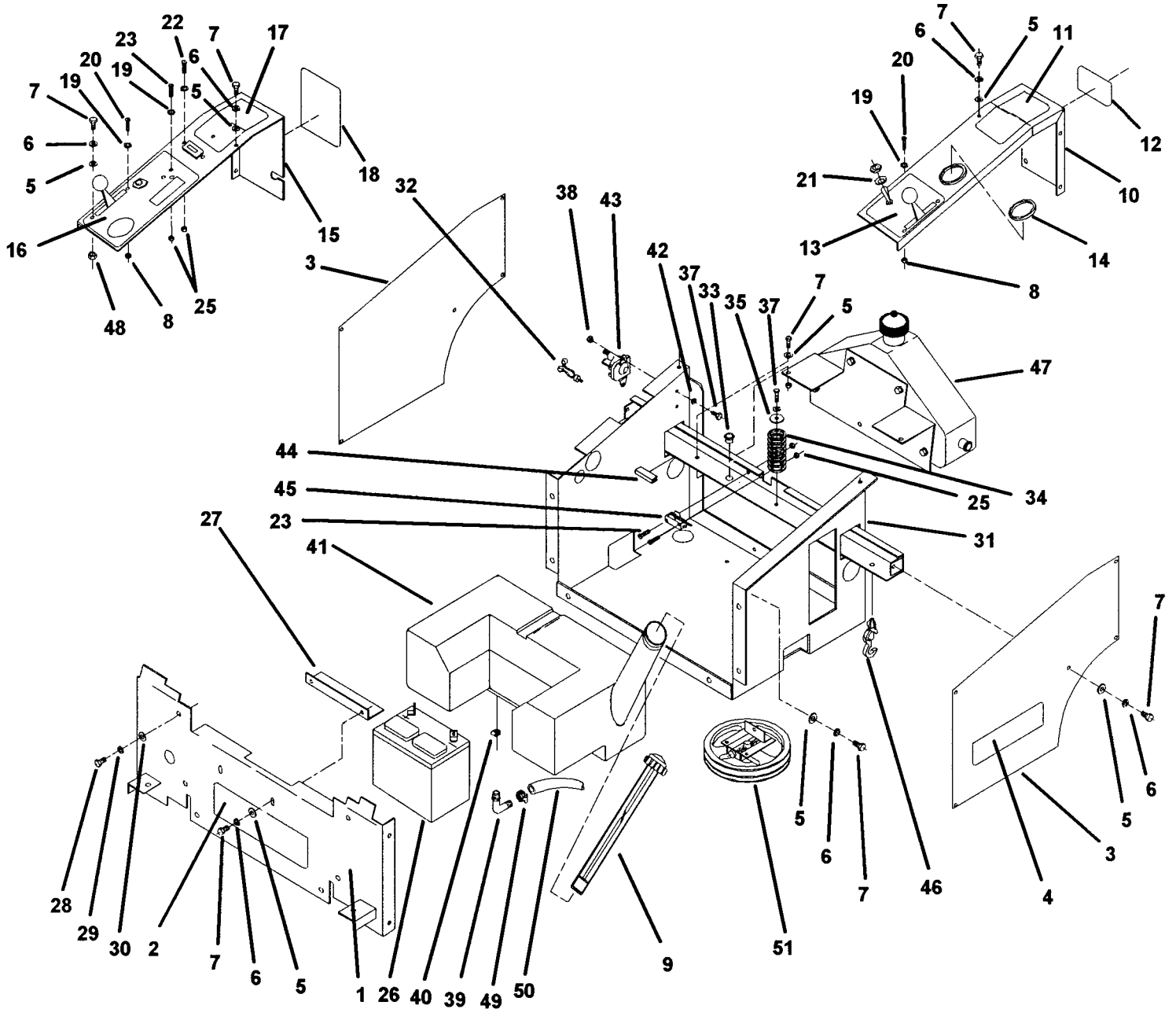
| TRACTOR AND RELATED PARTS | Page |
|---|--------------------|
| FRAME SIDES AND RELATED PARTS _____ | 3 |
| SEAT SUPPORT ASSEMBLY AND BODY COVER PARTS _____ | 4 & 5 |
| ARM REST ASSEMBLY _____ | 6 |
| SEAT ASSEMBLY _____ | 7 |
| JOYSTICK STEERING CONTROL PARTS _____ | 8 & 9 |
| PARKING BRAKE ASSEMBLY _____ | 10 |
| OIL TANK ASSEMBLY _____ | 11 |
| DOUBLE GROOVE IDLER ASSEMBLY _____ | 12 |
| UNISTAT SUB-ASSEMBLY _____ | 13 |
| DRIVE TRAIN ASSEMBLY _____ | 14 & 15 |
| DECK LIFT PARTS _____ | 16 & 17 |
| WIRE HARNESS _____ | 18 |
| CASTER WHEEL ASSEMBLY _____ | 19 |
| MOWER DECK AND RELATED PARTS | |
| 48" DECK ASSEMBLY _____ | 20 & 21 |
| 60" DECK ASSEMBLY _____ | 22 & 23 |
| DOUBLE IDLER CHANNEL ASSEMBLY _____ | 24 & 25 |
| DECK SPINDLE ASSEMBLY _____ | 26 & 27 |
| 60" DECK CASTER WHEEL ASSEMBLY _____ | 28 |
| SINGLE IDLER ASSEMBLY _____ | 29 |
| ACCESSORIES _____ | 30 |

FRAME SIDES AND RELATED PARTS

| <u>ITEM</u> | <u>PART NO.</u> | <u>DESCRIPTION</u> |
|-------------|-----------------|--|
| 1 | 79668 | REAR BUMPER WELDMENT |
| 2 | 79273 | NUT, 3/8-16 NYLOC (4) |
| 3 | 90587 | BOLT, 3/8-16 X 1-1/4" GR.5 (4) |
| 4 | 79859 | GREASE CAP |
| 5 | 79836 | NUT, HEX. SLOTTED 1"-14 |
| 6 | 79020 | WASHER, 1" 10 GA. |
| 7 | 79812 | BEARING CONE (2) |
| 8 | 62326 | FRAME SIDE L.H. |
| 9 | 79707 | FRONT CHANNEL WELDMENT |
| 10 | 62038 | BOLT, 1/2-13 X 1-1/4" GR.5 (8) |
| 11 | 79677 | FRONT BUMPER/AXLE WELDMENT |
| 12 | 79711 | BEARING SPACER |
| 13 | 79822 | SEAL, OIL 1.688 SHAFT |
| 14 | 90188 | WASHER, FLAT STD. 5/16" (4) |
| 15 | 79267 | LOCK WASHER, 5/16" HEAVY SPRING (4) |
| 16 | 76934 | BOLT, 5/16-18 X 3/4" GR. 5 (4) |
| 17 | 79756 | FOOT DECK ASSEMBLY (w/ decal and tread pads) |
| 18 | 79863 | TREAD PAD (2) |
| 19 | 79862 | TREAD PAD (5) |
| 20 | 79915 | DECAL, OPERATION INSTRUCTIONS |
| 21 | 79839 | COTTER PIN, 3/16 X 2" |
| 22 | 62327 | FRAME SIDE WELDMENT, R.H. |
| 23 | 79262 | NUT, 1/2-13, STOVER (8) |
| 24 | 62328 | MOTOR MOUNT WELDMENT |
| 25 | 79909 | BEARING CUP (2) |
| 26 | 79916 | DECAL, TOW WARNING |



SEAT SUPPORT ASSEMBLY & BODY COVER PARTS

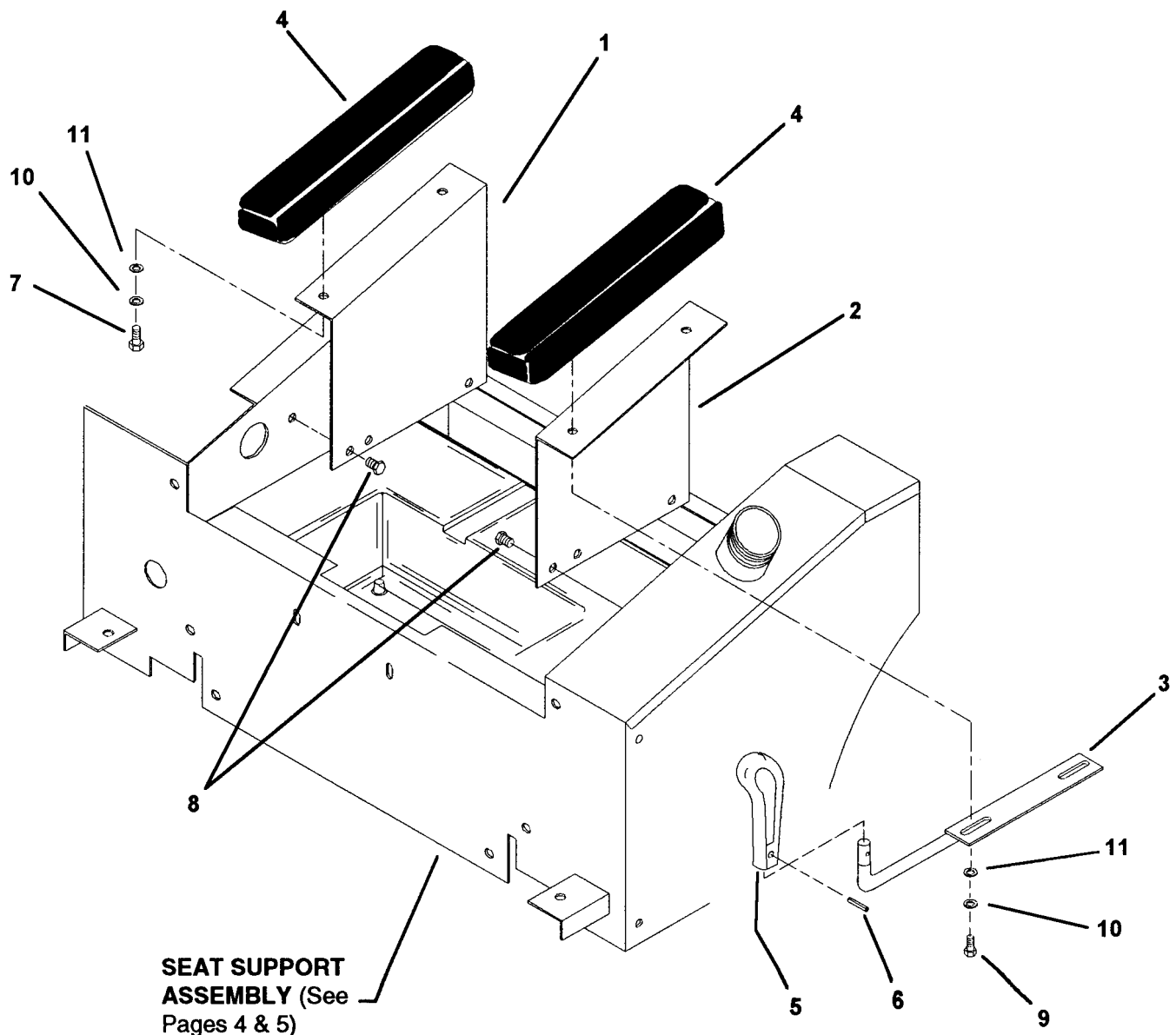


SEAT SUPPORT ASSEMBLY & BODY COVER PARTS

| <u>ITEM</u> | <u>PART NO.</u> | <u>DESCRIPTION</u> |
|-------------|-----------------|---|
| 1 | 79895 | SEAT SUPPORT FRONT ASSEMBLY (W/DECALS) |
| 2 | 79643 | DECAL, SNAPPER |
| 3 | 79676 | FENDER SKIRT (2) |
| 4 | 62298 | DECAL, I.D. "ZU2014K"(2) |
| 5 | 90188 | WASHER, FLAT STD. 5/16" (20) |
| 6 | 79267 | LOCK WASHER, 5/16" HEAVY SPRING (18) |
| 7 | 76934 | BOLT, 5/16-18 X 3/4" GR. 5 (20) |
| 8 | 79828 | LOCKNUT, #8-32 NYLOC (6) |
| 9 | 79858 | FUEL GAUGE CAP |
| 10 | 62056 | FENDER CAP (w/ decals) L.H. |
| 11 | 79238 | DECAL, CAUTION |
| 12 | 79916 | DECAL, TOWING WARNING |
| 13 | 79913 | DECAL, BLADE/CHOKE |
| 14 | 62058 | TRIM, U-CHANNEL GAS TANK |
| 15 | 62057 | FENDER CAP (w/decals, less #62391) R.H. |
| 16 | 79914 | DECAL, INSTRUMENT PANEL |
| 17 | 79239 | DECAL, CAUTION |
| 18 | 62391 | DECAL, BELT TENSIONING |
| 19 | 79826 | WASHER, #8 FLAT (8) |
| 20 | 79848 | SCREW, MACHINE, #8-32 X 1/2" (4) |
| 21 | 79890 | D-WASHER |
| 22 | 79825 | SCREW, MACHINE, #6-32 X 5/8" (2) |
| 23 | 79281 | SCREW, MACHINE, #6-32 X 1" (4) |
| 24 | 79849 | SCREW, MACHINE, #8-32 X 3/4" (2) |
| 25 | 79310 | LOCKNUT, #6-32 NYLOC (6) |
| 26 | 79482 | BATTERY 12 VOLT |
| 27 | 79698 | BATTERY CLAMP ANGLE |
| 28 | 79266 | BOLT, 3/8-16 X 3/4" GR. 5 (6) |
| 29 | 79268 | LOCK WASHER, 3/8" HEAVY SPRING (6) |
| 30 | 90600 | WASHER, FLAT STD. 3/8" (6) |
| 31 | 79686 | SEAT SUPPORT WELDMENT |
| 32 | 79864 | BLIND HOLE KURLY (4) |
| 33 | 79191 | BUSHING, PLASTIC |
| 34 | 79857 | SEAT SPRING |
| 35 | 79694 | WASHER |
| 36 | 90052 | LOCK WASHER, 1/4" SPLIT SPRING |
| 37 | 90073 | BOLT, 1/4-20 X 3/4" GR. 5 (3) |
| 38 | 76978 | LOCKNUT, 1/4--20 NYLOC (2) |
| 39 | 79853 | ELBOW, 90D 1/4 NPT X 1/4 BARB |
| 40 | 79870 | CLAMP, .31 MIN. X 1.87 MAX. HOSE DIA. |
| 41 | 79856 | FUEL TANK |
| 42 | 79410 | WASHER FLAT STD. 1/4" (2) |
| 43 | 79193 | SOLENOID, 12V STARTER |
| 44 | 79897 | EDGE GUARD |
| 45 | 79194 | SWITCH, ENCL, SPDT 15A HINGED LEVER |
| 46 | 79854 | FITTING 1/2" ROSE BUD CLIP |
| 47 | See Page 11 | OIL TANK ASSEMBLY |
| 48 | 90717 | NUT, HEX. 5/16-18 NYLOC (2) |
| 49 | 79952 | CLAMP, HOSE 1/2 ",STAINLESS |
| 50 | 79218 | HOSE, FUEL 1/4 ID X 1/2 OD |
| 51 | See Page 12 | DOUBLE GROOVE IDLER ASSEMBLY |

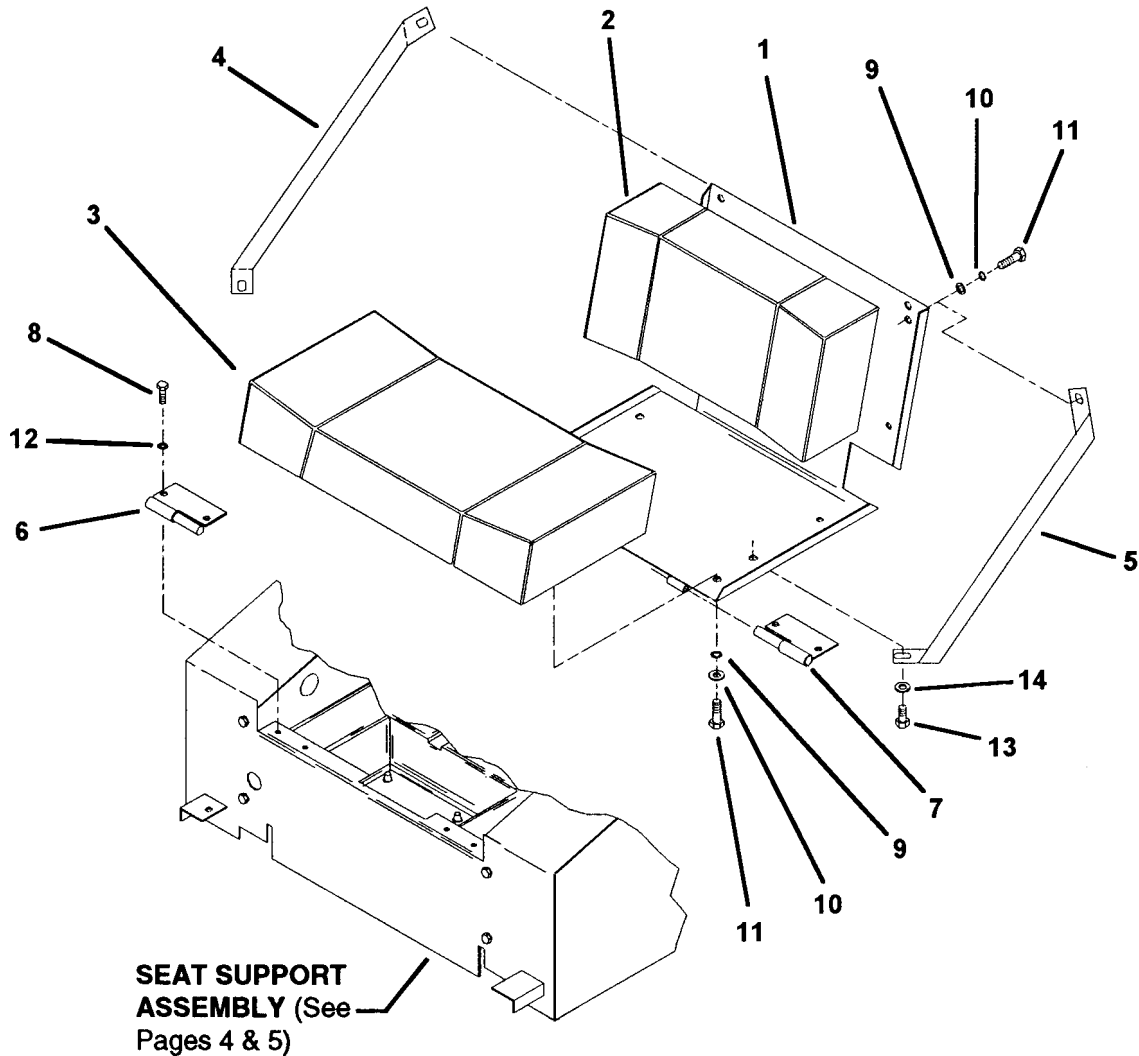
ARM REST ASSEMBLY

| <u>ITEM</u> | <u>PART NO.</u> | <u>DESCRIPTION</u> |
|-------------|-----------------|-------------------------------------|
| 1 | 79700 | ARM REST SUPPORT R.H. |
| 2 | 79699 | ARM REST SUPPORT L.H. |
| 3 | 79495 | SECURITY HANDLE WELDMENT |
| 4 | 79502 | ARM REST PAD ASSEMBLY (2) |
| 5 | 23656 | HANDLE, JOYSTICK, 7/16" BORE |
| 6 | 79294 | PIN, SPIRAL 3/16 X 1" LIGHT DUTY |
| 7 | 76934 | BOLT, 5/16-18 X 3/4" GR. 5 (2) |
| 8 | 79910 | BOLT, 3/8-16 X 1/2" NYLON PATCH (4) |
| 9 | 90636 | BOLT, 5/16-18 X 1" GR. 5 (2) |
| 10 | 79267 | LOCK WASHER, 5/16" HEAVY SPRING (4) |
| 11 | 90188 | WASHER, FLAT STD. 5/16" (4) |

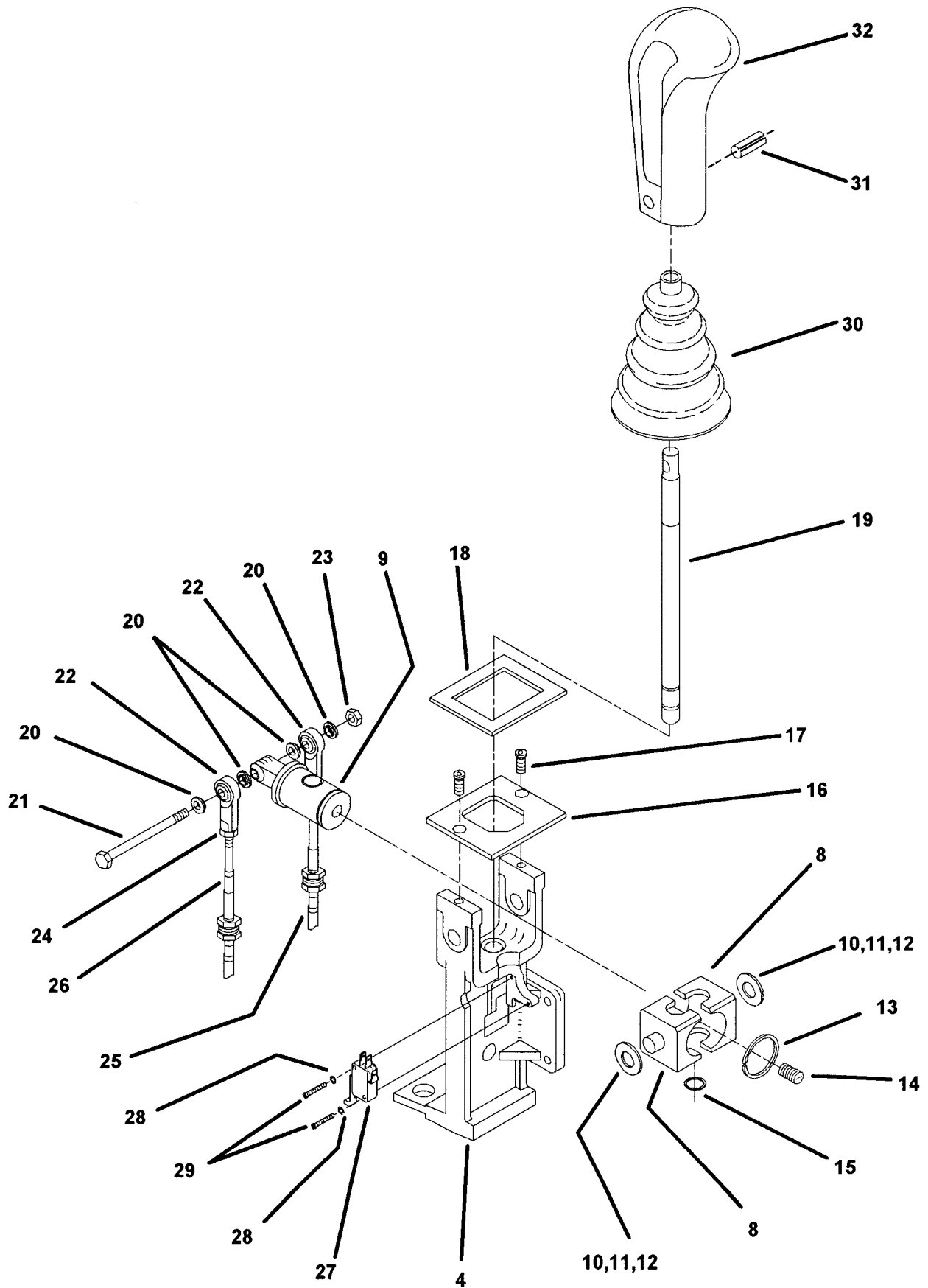


SEAT ASSEMBLY

| <u>ITEM</u> | <u>PART NO.</u> | <u>DESCRIPTION</u> |
|-------------|-----------------|---|
| 1 | 79665 | SEAT BRACKET WELDMENT |
| 2 | 79713 | CUSHION BACK ASSEMBLY |
| 3 | 79662 | CUSHION SEAT ASSEMBLY |
| 4 | 79931 | GUSSET, SEAT RIGHT |
| 5 | 79932 | GUSSET, SEAT LEFT |
| 6 | 79928 | HINGE |
| 7 | 79927 | HINGE |
| 8 | 90073 | BOLT, 1/4-20 X 3/4" GR. 5 (4) |
| 9 | 90188 | WASHER, FLAT STD. 5/16" (6) |
| 10 | 79267 | LOCK WASHER, 5/16" SPLIT SPRING (6) |
| 11 | 90636 | BOLT, 5/16-18 X 1" GR. 5 (6) |
| 12 | 90052 | LOCK WASHER, 1/4" SPLIT SPRING (4) |
| 13 | 62066 | BOLT, 5/16-18 X 5/8" LONG LOCK (2) |
| 14 | 62067 | WASHER, 5/16 ID X 5/8 OD X .035 THK (2) |



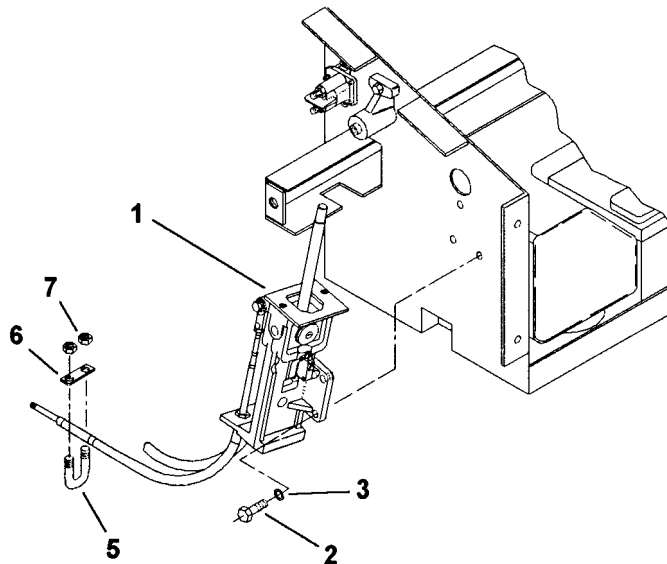
JOYSTICK STEERING CONTROL PARTS



JOYSTICK STEERING CONTROL PARTS

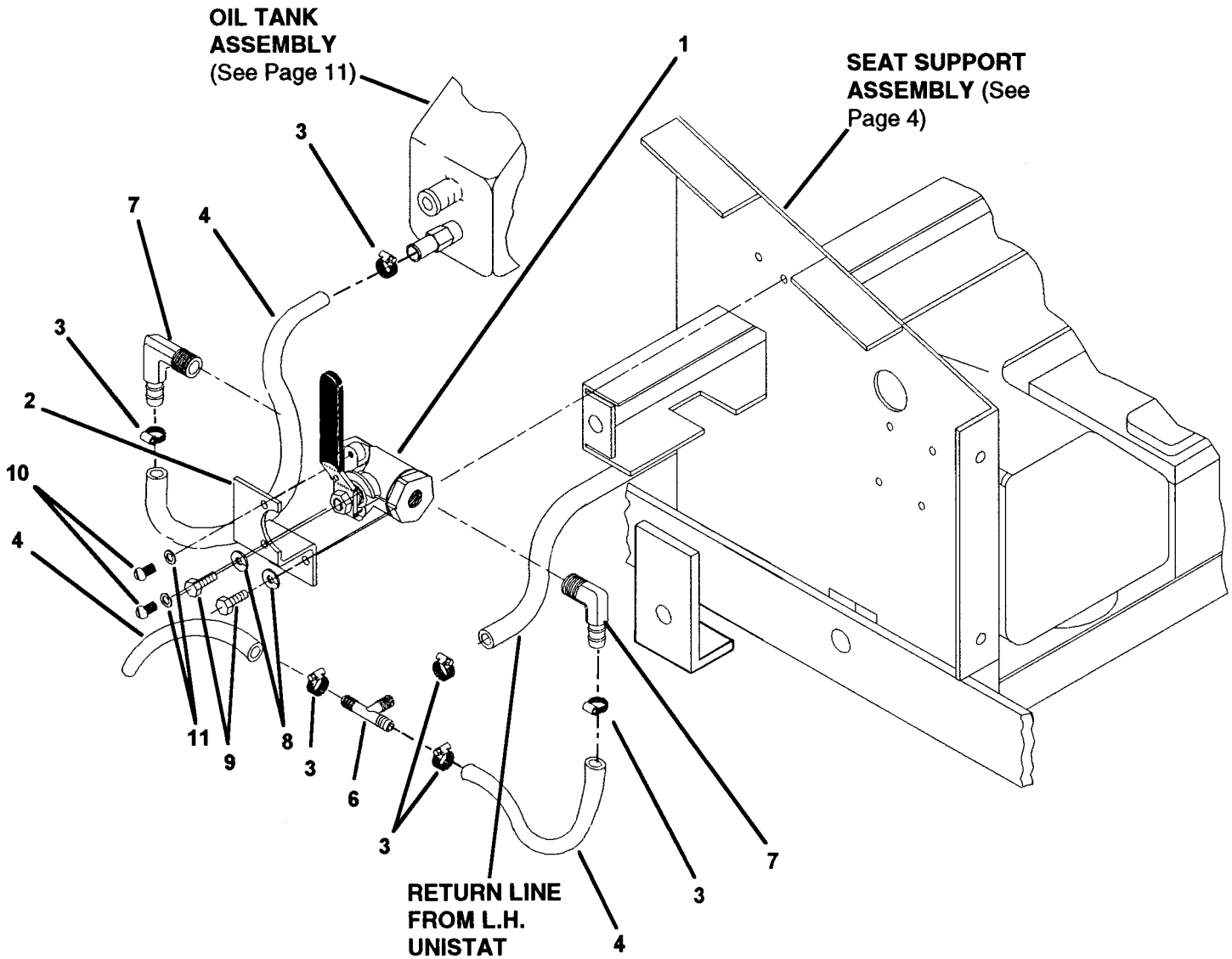
| <u>ITEM</u> | <u>PART NO.</u> | <u>DESCRIPTION</u> |
|-------------|-------------------|--|
| 1 | Illustration Only | JOYSTICK YOKE ASSEMBLY (Refer to Page 8 for breakdown) |
| 2 | 90073 | CAP SCREW, 1/4-20 x 3/4", Gr.5 (3) |
| 3 | 90052 | LOCK WASHER, 1/4" Split Ring (3) |
| 4 | 79522 | JOYSTICK YOKE |
| 5 | 79301 | U-BOLT, 5/16-18 X 1 3/16" (2) |
| 6 | 79104 | U-BOLT SPACER (2) |
| 7 | 90717 | NUT, 5/16-18, Nylock (4) |
| 8 | * | PIVOT BLOCK, Delrin Plastic(2) |
| 9 | * | PIVOT SHAFT, Delrin Plastic |
| 10 | 62305 | SHIM WASHER, 1/2 ID x 1 OD x .005 Thick (as required) |
| 11 | 62306 | SHIM WASHER, 1/2 ID x 1 OD x .010 Thick (as required) |
| 12 | 62307 | SHIM WASHER, 1/2 ID x 1 OD x .020 Thick (as required) |
| 13 | 62304 | SNAP RING, Spirlock |
| 14 | 79537 | BALL PLUNGER, 3/8-16 X 5/8" |
| 15 | 79536 | SNAP RING, 1/2" |
| 16 | 79734 | TOP PLATE, Joystick |
| 17 | 79587 | SCREW, 1/4-20 X 1/2", Flathead (2) |
| 18 | 79867 | GASKET, Foam |
| 19 | 79696 | JOYSTICK SHAFT |
| 20 | 79807 | BUSHING, Ball Joint (4) |
| 21 | 62259 | CAP SCREW, 1/4-20 X 3", Hex Head |
| 22 | 79513 | BALL JOINT, 1/4-28, Female (2) |
| 23 | 79260 | NUT, 1/4-20, Nylock |
| 24 | 90095 | NUT, 1/4-28, (comes with 26 & 27) (2) |
| 25 | 79511 | CABLE, PUSH-PULL , 55" |
| 26 | 62336 | CABLE, PUSH-PULL , 25-1/2" |
| 27 | 79530 | SWITCH, SPDT, Miniature |
| 28 | 79534 | LOCK WASHER, #4 Star (2) |
| 29 | 79535 | SCREW, #4-40 X 3/4" (2) |
| 30 | 79529 | BELLOWS BOOT |
| 31 | 79294 | ROLL PIN, 3/16 X 1" |
| 32 | 23656 | HANDLE GRIP |

*** NOTE! USE REPLACEMENT
KIT No. 62303 (Kit includes
items 8 thru 13)**



PARKING BRAKE ASSEMBLY

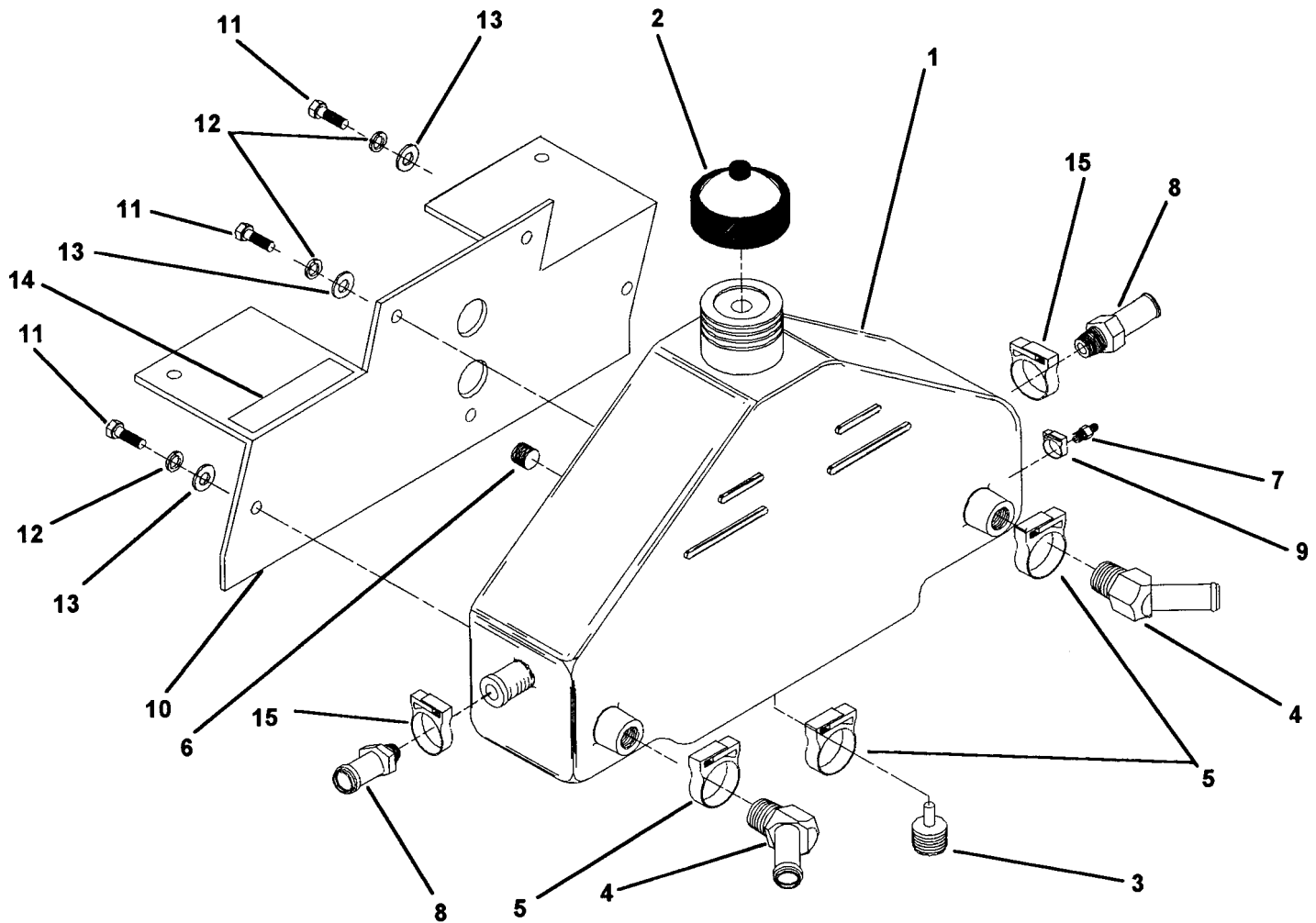
| <u>ITEM</u> | <u>PART NO.</u> | <u>DESCRIPTION</u> |
|-------------|-----------------|--------------------------------------|
| 1 | 62329 | BALL VALVE, 1/4 NPTF |
| 2 | 62330 | BRACKET, BRAKE VALVE MTG. |
| 3 | 79569 | HOSE CLAMP, 1/4 HH SCREW 1/4 MIN.(7) |
| 4 | 62331 | HOSE, 3/8 ID X 15" LONG (3) |
| 5 | 62332 | HOSE, 3/8 ID X 38" LONG |
| 6 | 62333 | TEE, HOSE BARB, 3/8 X 3/8 X 3/8 |
| 7 | 79794 | HOSE BARB 90 EL 1/4 NPTM X 3/8 (2) |
| 8 | 62334 | LOCK WASHER, 1/4 EXTERNAL STAR (2) |
| 9 | 62249 | SCREW, 1/4 X 3/8 SELF-TAP (2) |
| 10 | 62335 | SCREW, #10-24 X 5/16, RND HEAD (2) |
| 11 | 62232 | LOCK WASHER SPLIT STL, # 10-32(2) |



OIL TANK ASSEMBLY

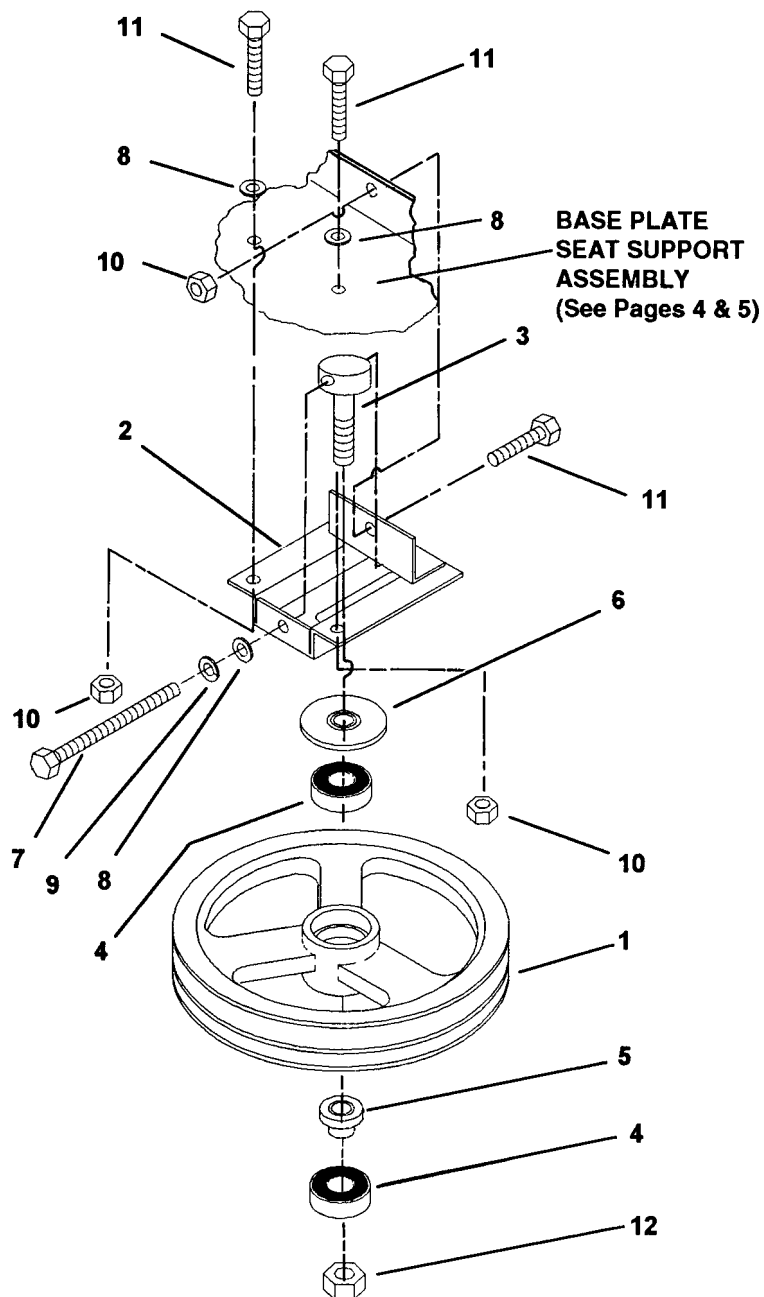
| <u>ITEM</u> | <u>PART NO.</u> | <u>DESCRIPTION</u> |
|-------------|-----------------|--------------------------------------|
| 1 | 62167 | OIL RESERVOIR UNISTAT |
| 2 | 62166 | OIL CAP, |
| 3 | 62189 | PLUG, MAGNETIC PIPE: 1/2" |
| 4 | 62337 | ELBOW 45 DEG 1/2, NPT X 5/8 (2) |
| 5 | 62248 | CLAMP,NYLON HOSE,1" (3) |
| 6 | 62251 | PIPE PLUG, 1/4 SOCKET HD |
| 7 | 62338 | FITTING, 1/8 NPT X 3/8 HOSE |
| 8 | 62339 | HOSE BARB, 5/8 HOSE X 1/4 (2) |
| 9 | 79861 | CLAMP,NYLON HOSE 5/8" |
| 10 | 62386 | MOUNTING,BRACKET |
| 11 | 79315 | CAPSCREW: HH 5/16-18 X 3/4 GR. 5 (4) |
| 12 | 79267 | LOCKWASHER, 5/16 HEAVY SPRING (4) |
| 13 | 79263 | WASHER, FLAT, STD, STEEL, 5/16" (4) |
| 14 | 79963 | DECAL "TRANSMISSION FLUID" |
| 15 | 62419 | CLAMP,NYLON HOSE, 3/4"(2) |

NOTE: Use Mobile 1 15W 50 Synthetic Oil ONLY



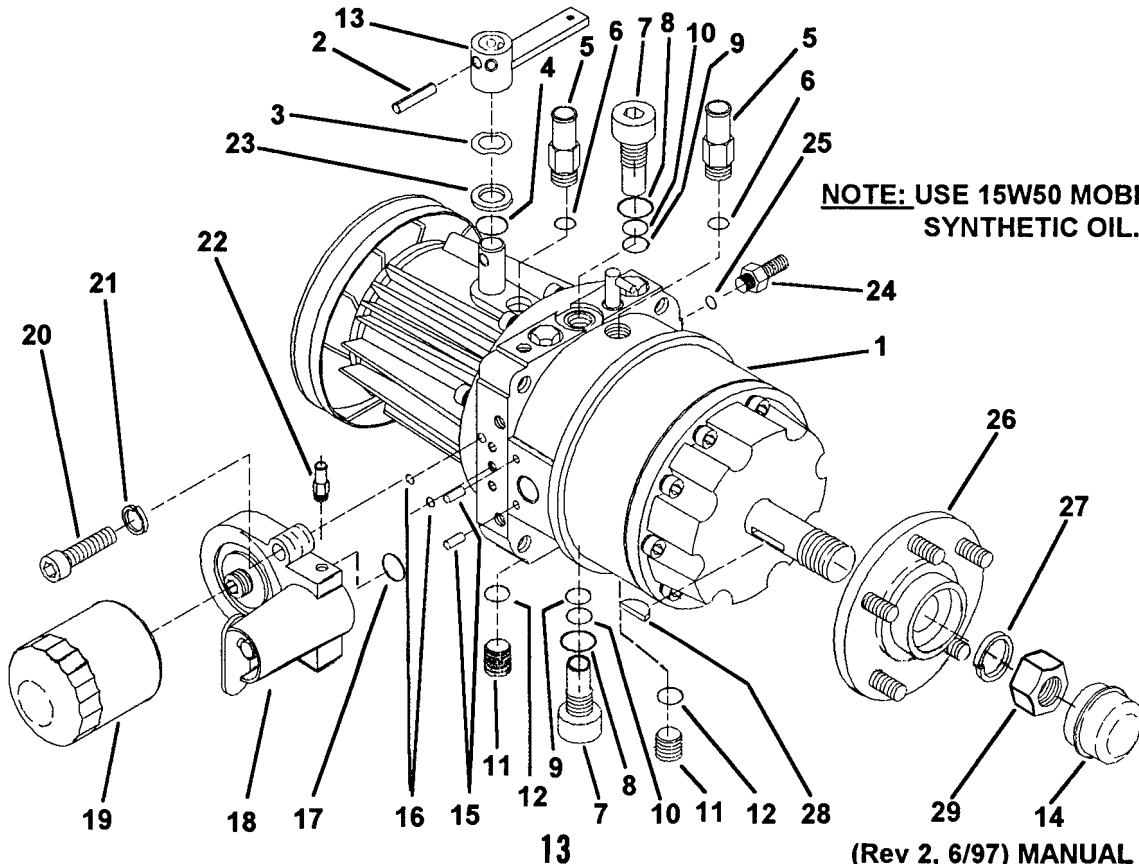
DOUBLE GROOVE IDLER ASSEMBLY

| <u>ITEM</u> | <u>PART NO.</u> | <u>DESCRIPTION</u> |
|-------------|-----------------|---------------------------------------|
| 1 | 62340 | IDLER, TWO (2) GROOVE. 8-3/4 |
| 2 | 62341 | IDLER, MTG BRACKET |
| 3 | 62342 | IDLER, MTG STUD |
| 4 | 62035 | BEARING, #6203-2RS (2) |
| 5 | 62037 | IDLER STAND |
| 6 | 62343 | IDLER, MTG SPACER |
| 7 | 79403 | HEX TAP BOLT 5/16 X 4-1/2 |
| 8 | 79263 | WASHER, FLAT STD, STEEL 5/16 (3) |
| 9 | 79267 | LOCK WASHER, 5/16 HEAVY SPRING |
| 10 | 90717 | NUT, HEX 5/16-18 NYLOC (3) |
| 11 | 79315 | CAP SCREW, HH 5/16-18 X 3/4 GR. 5 (3) |
| 12 | 79277 | LOCKNUT, 1/2-13; NYLOC |



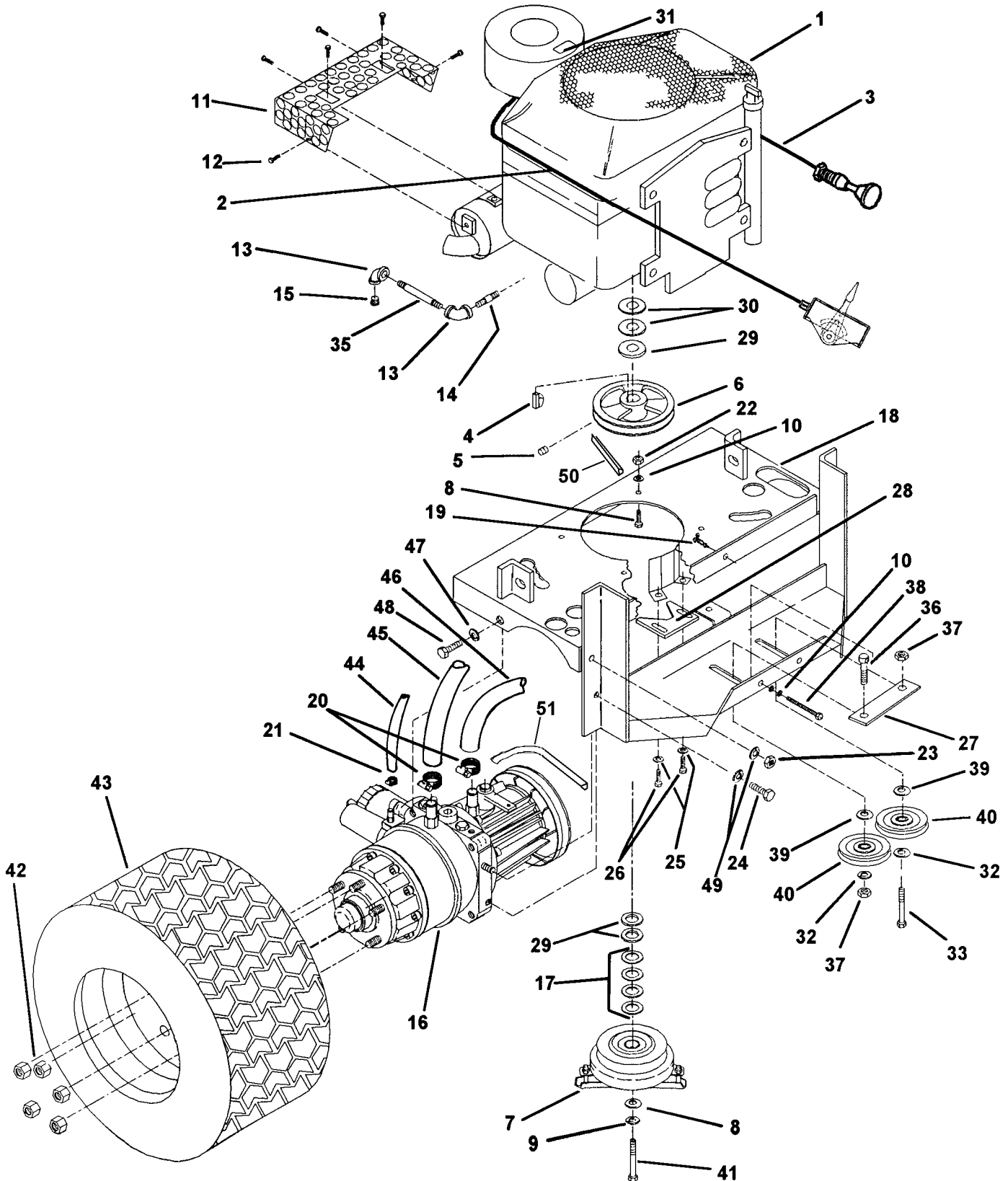
UNISTAT TRANSMISSION

| ITEM | PART NO. | DESCRIPTION |
|------|----------|---|
| 1 | 62319 | UNISTAT TRANSMISSION ASSEMBLY, R.H. |
| - | 62320 | UNISTAT TRANSMISSION ASSEMBLY, L.H. |
| 2 | 79364 | ROLL PIN, 5/16" OD X 1-1/4 LONG |
| 3 | 62345 | WASHER, WAVE SPRING: STAINLESS |
| 4 | 62395 | O-RING, .734 ID X .139 W |
| 5 | 62351 | FITTING, 5/8 HOSE 3/4-16, (comes with o-ring) (2) |
| 6 | 62377 | O-RING, .644 ID X .087 W, VITON |
| 7 | 62346 | HI-PRESSURE, RELIEF VALVE ASEMBLY, HI-CAP (2) |
| 8 | 62374 | O-RING, .924 ID X .116 W, VITON |
| 9 | 62396 | O-RING, .671 ID X .139 W, VITON |
| 10 | 62394 | BACK-UP RING |
| 11 | 62180 | PLUG O-RING: 3/4-16 (comes with o-ring) (2) |
| 12 | 62377 | O-RING, .644 ID X .087 W, VITON |
| 13 | 62344 | SHIFT ARM WELDMENT |
| 14 | 62372 | GREASE CAP 2" ID X 3/8 DP |
| 15 | 62347 | DOWEL PIN 1/4 X 1/2 LG(2) |
| 16 | 79783 | O-RING, VITON: .301 ID X .070 W (2) |
| 17 | 79784 | O-RING, VITON: 1.301 ID X .070 W |
| 18 | 62348 | FILTER BLOCK ASSEMBLY, R.H. |
| - | 62349 | FILTER BLOCK ASSEMBLY, L.H. |
| 19 | 62261 | OIL FILTER 3" OD X 3-11/32 H (NAPA 1045) |
| 20 | 62375 | SOCKET HEAD CAP SCREW 1/2"-13 X 2"(2) |
| 21 | 90254 | LOCK WASHER, 1/2" STANDARD SPLIT (2) |
| 22 | 62338 | FITTING, 1/8 NPT X 3/8 HOSE |
| 23 | 62376 | WASHER, SS: .781 X 1.137 X 18 GA |
| 24 | 62371 | MOUNTING PLUG ASSEMBLY, (comes with o-ring) |
| 25 | 62373 | O-RING, .486 ID X .078W, VITON |
| 26 | 62350 | WHEEL, HUB, 5-BOLT UNISTAT |
| 27 | 62352 | LOCK WASHER, 1" SPLIT GAL. |
| 28 | 62353 | KEY, WDRF. USAS 808 1/4" X 1", #15 |
| 29 | 62354 | HEX NUT, 1"-14 NF, PLATED |



NOTE: USE 15W50 MOBILE ONE SYNTHETIC OIL.

DRIVE TRAIN ASSEMBLY

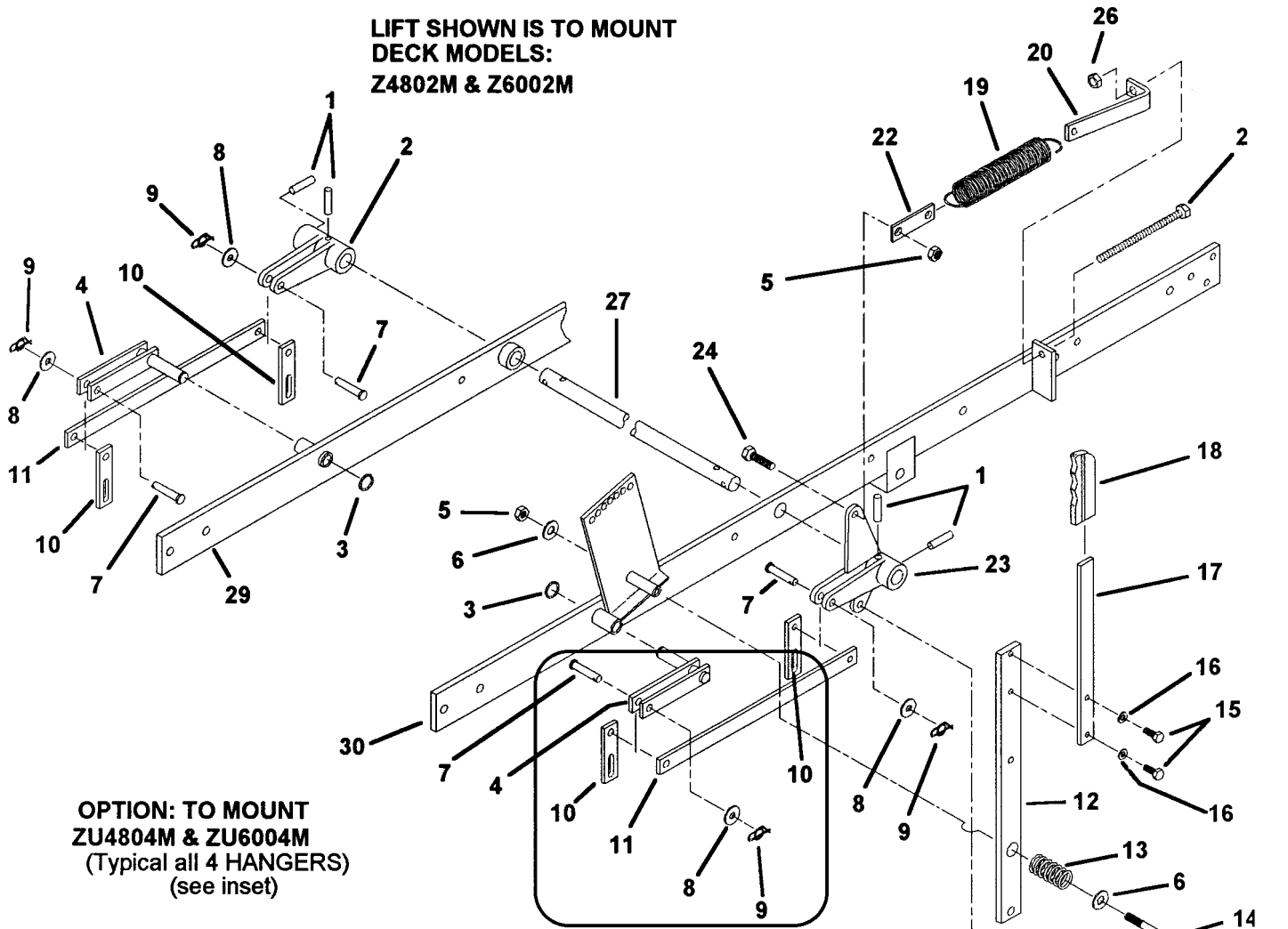


DRIVE TRAIN ASSEMBLY

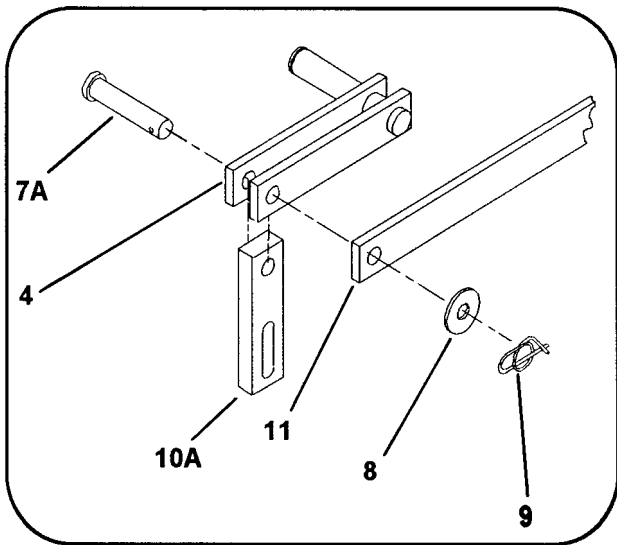
| <u>ITEM</u> | <u>PART NO.</u> | <u>DESCRIPTION</u> |
|-------------|-----------------|---|
| 1 | N/A | 20 HP KOHLER, VERTICAL SHAFT ENGINE |
| 2 | 79800 | CABLE, THROTTLE |
| 3 | 79801 | CABLE, CHOKE |
| 4 | 79159 | KEY, WOODRUF, 1/4" X 3/4" |
| 5 | 79823 | SET SCREW, SOCKET HD., 5/16-18 X 3/8" |
| 6 | 79423 | PULLEY, 1-1/8" BORE |
| 7 | 79446 | CLUTCH, ELECTRIC, 1" BORE |
| 8 | 79325 | CAP SCREW HH 5/16-24 X 1-1/2 GR 5(4) |
| 9 | 90247 | LOCK WASHER, 7/16" SPLIT SPRING |
| 10 | 79267 | LOCK WASHER, 5/16" SPLIT SPRING (4) |
| 11 | 62052 | MUFFLER GUARD |
| 12 | 79424 | SCREW, SHEET METAL, #8-32 X 1/2"(6) |
| 13 | 79210 | ELBOW, 3/8, 90, SCH 40 CAST IRON (2) |
| 14 | 62357 | NIPPLE 3/8" CLOSE SCH. 40 BLACK |
| 15 | 79367 | PLUG, PIPE 3/8" |
| 16 | See Page 13 | UNISTAT TRANSMISSION (R.H. SHOWN) |
| 17 | 79020 | WASHER, 10 GA. 1" BORE (4) |
| 18 | 62328 | MOTOR MOUNT WELDMENT |
| 19 | 79864 | BLIND HOLE KURLY |
| 20 | 79952 | CLAMP, HOSE 1/2" STAINLESS (4) |
| 21 | 79569 | CLAMP, 1/4 HH SCHREW 1/4 MI (2) |
| 22 | 79324 | NUT, 5/16-24 UNF, GR. 5 PLATED(4) |
| 23 | 79936 | NUT, HEX HEAD , 1/2 13 UNC 2B (2) |
| 24 | 62038 | CAP SCREW, HEX HEAD, 1/2-13 X 1-1/4 LG(2) |
| 25 | 79410 | WASHER, FLAT, STD, STEEL, 1/4" (2) |
| 26 | 90073 | CAP SCREW, HH 1/4-20 X 3/4" GR. 5 (2) |
| 27 | 62379 | PLATE, STAGGER |
| 28 | 62358 | PLATE, CLUTCH STOP |
| 29 | 79427 | WASHER, 16 GA. 1-1/8 " I.D. (3) |
| 30 | 79426 | WASHER, 10 GA. 1-3/16 ID (2) |
| 31 | 79237 | DECAL," PERIODICALLY CLEAN |
| 32 | 79306 | WASHER, 1/2" NOM, TYPE B NARROW(2) |
| 33 | 79276 | CAP SCREW, HEX HD., 1/2-13 X 2 GR.5 |
| 35 | 79425 | NIPPLE, 3/8" X 4" SCH 40 |
| 36 | 79404 | STUD, ADJUSTABLE |
| 37 | 79277 | LOCKNUT, 1/2-13, NYLOC (2) |
| 38 | 79584 | CAPSCREW, HX, 5/16-18 X 3",G2 FL-TH |
| 39 | 79264 | WASHER, FLAT, STD, 1/2" |
| 40 | 79166 | PULLEY, V-IDLER, 4.48 O.D.(2) |
| 41 | 62263 | CAP SCREW, 7/16-20 X 3" GR. 5 |
| 42 | 62359 | WHEEL LUG NUT: 7/16-20, PLTD.(10) |
| 43 | 62380 | TIRE/WHEEL ASSEMBLY, 23-9.5 X 12 (2) |
| 44 | 62331 | HOSE, 3/8 ID X 15 " LG. R.H. SIDE |
| - | 62332 | HOSE, 3/8 ID X 38" LG. L.H. SIDE |
| 45 | 62360 | HOSE, 5/8 I.D. X 12" LG (2) |
| 46 | 62361 | HOSE, 5/8 I.D. X 7" LG(2) |
| 47 | 79943 | LOCK WASHER, SPLIT SPRING: 5/8" X-H (2) |
| 48 | 62381 | CAP SCREW, 5/8-11 X 1-1/2 (2) |
| 49 | 90254 | LOCKWASHER, SPLIT SPRING, 1/2" (4) |
| 50 | 62321 | BELT, KEVLAR, AK-42 (PRIMARY DRIVE) |
| 51 | 62322 | BELT, KEVLAR, AK-75 (SECONDARY DRIVE) |

DECK LIFT PARTS

LIFT SHOWN IS TO MOUNT
DECK MODELS:
Z4802M & Z6002M



OPTION: TO MOUNT
ZU4804M & ZU6004M
(Typical all 4 HANGERS)
(see inset)



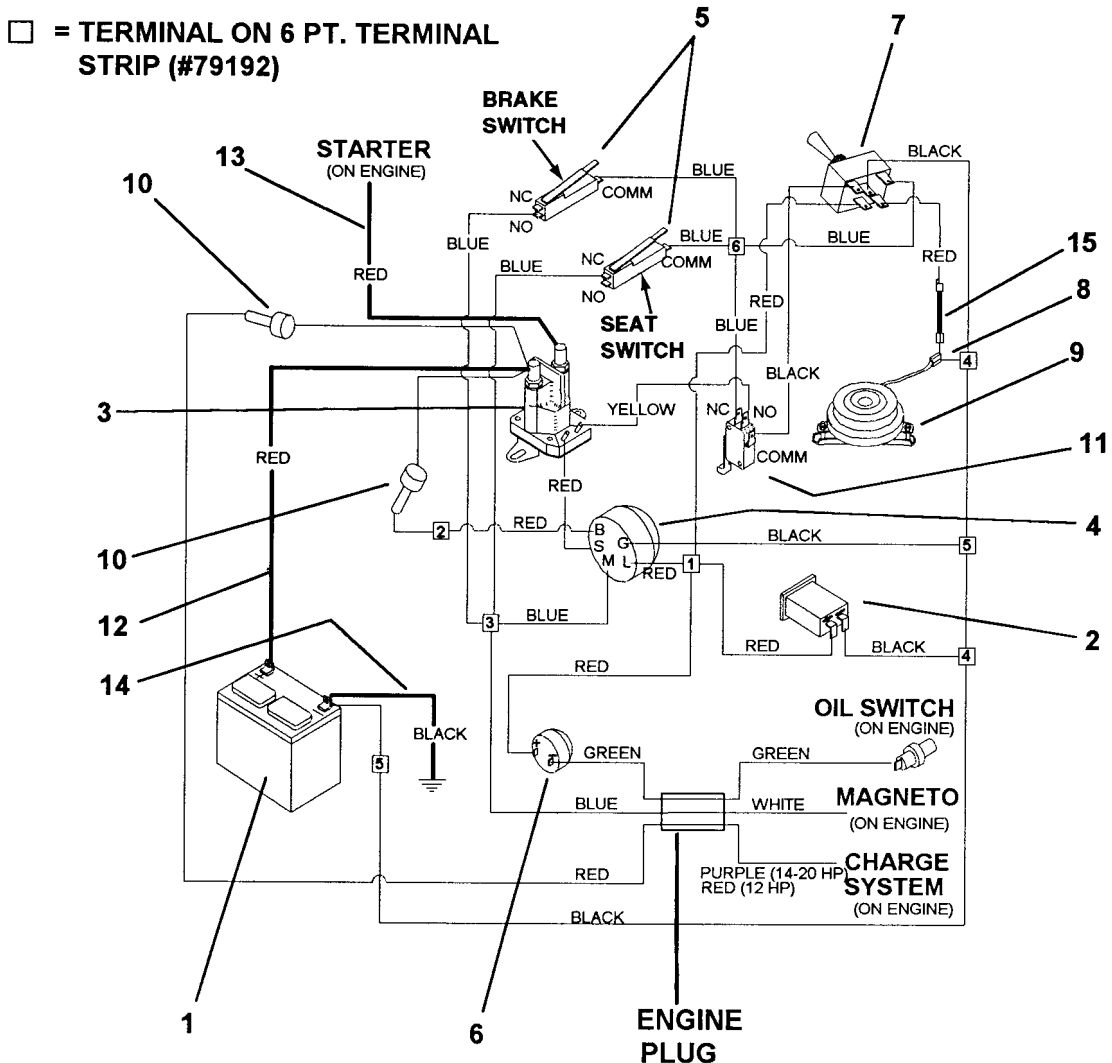
DECK LIFT PARTS

| <u>ITEM</u> | <u>PART NO.</u> | <u>DESCRIPTION</u> |
|-------------|-----------------|-------------------------------------|
| 1 | 79827 | ROLL PIN, 5/16 X 1-1/4 HBK (4) |
| 2 | 79659 | LIFT SLEEVE, R.H. |
| 3 | 79844 | SPIROLOX RETAINING RING (2) |
| 4 | 79894 | DECK HANGER WELDMENT (2) |
| 5 | 79273 | NUT, 3/8-16, NYLOC (2) |
| 6 | 90600 | WASHER, FLAT STD. 3/8" (2) |
| 7 | 79831 | CLEVIS PIN, 5/16 X 1-1/2" LONG (4) |
| 7A | 79298 | CLEVIS PIN, 5/16 X 1-3/4" LONG (4) |
| 8 | 90188 | WASHER, FLAT STD. 5/16" (6) |
| 9 | 79291 | COTTER RUE RING, 5/16-3/8 (6) |
| 10 | 79131 | DECK HANGER BAR (4) |
| 10A | 62384 | DECK HANGER BAR: HEAVY DUTY (4) |
| 11 | 79893 | BAR, CONNECTING (2) |
| 12 | 79741 | LOWER HANDLE WELDMENT |
| 13 | 79799 | SPRING, COMPRESSION, .975 O.D. |
| 14 | 79504 | BOLT, 3/8-16 X 3" GR. 5 |
| 15 | 90073 | BOLT, 1/4-20 X 3/4" GR. 5 (2) |
| 16 | 90052 | LOCK WASHER, 1/4" SPLIT SPRING (2) |
| 17 | 79740 | TOP DECK HANDLE |
| 18 | 79860 | GRIP, HANDLE |
| 19 | 79628 | SPRING, EXT., 1.65 O.D. X 9" |
| 20 | 79803 | SPRING TIGHTENER |
| 21 | 79833 | BOLT, 3/8-16 X 5" FULL THREAD |
| 22 | 79981 | SPRING EXTENSION |
| 23 | 79658 | LIFT SLEEVE, L.H. |
| 24 | 90587 | BOLT, 3/8-16 X 1-1/4" GR. 5 |
| 25 | 79834 | CLEVIS PIN, 3/8 X 1" (2) |
| 26 | 79593 | NUT, HEX. 3/8-16 UNC-2B |
| 27 | 79695 | LIFT BAR |
| 28 | 79697 | HANDLE LINK (2) |
| 29 | 62327 | FRAME SIDE WELDMENT, R.H. |
| 30 | 62326 | FRAME SIDE WELDMENT, L.H. |

NOTE: DECK LIFT SHOWN IS FOR DECK MODELS: Z4802M AND Z6002M.
SEE INSET FOR DECK MODELS : ZU4804M AND ZU6004M.

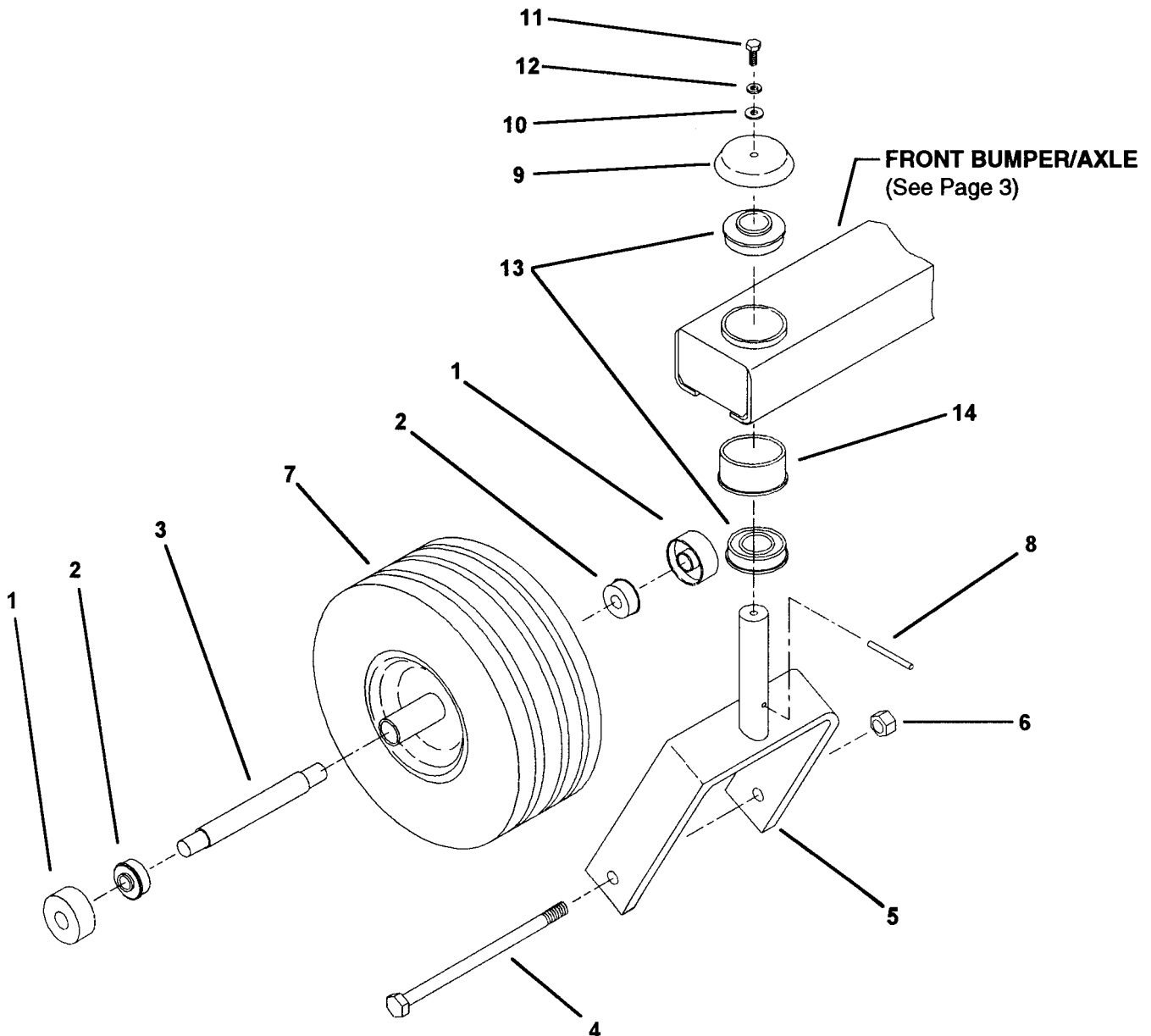
WIRE HARNESS

| <u>ITEM</u> | <u>PART NO.</u> | <u>DESCRIPTION</u> |
|-------------|-----------------|---|
| 1 | 79482 | BATTERY |
| 2 | 79203 | HOUR METER |
| 3 | 79193 | SOLENOID |
| 4 | 79201 | START SWITCH |
| 5 | 79194 | SWITCH, ENCL, SPDT 15A HINGED LEVER (2) |
| 6 | 79208 | BUZZER |
| 7 | 79342 | CLUTCH SWITCH |
| 8 | 79204 | INSULATOR COVER (female end only) |
| 9 | 79446 | ELECTRIC CLUTCH |
| 10 | 79206 | FUSE HOLDER (INLINE) (2) |
| - | 79341 | FUSE, 30 AMP (2) |
| 11 | 79530 | SWITCH, SPDT MINIATURE |
| 12 | 79705 | CABLE, BATTERY, 31.75" W/ BOOTS |
| 13 | 79706 | CABLE, STARTER, 31.75" W/OBOOTS |
| 14 | 62314 | WIRE ASS'Y, 24" BLK. 8 GA. ENG./GRD., 20 HP |
| 15 | 62387 | CLUTCH WIRE EXTENSION |
| - | 79192 | 6 PT. TERMINAL STRIP |

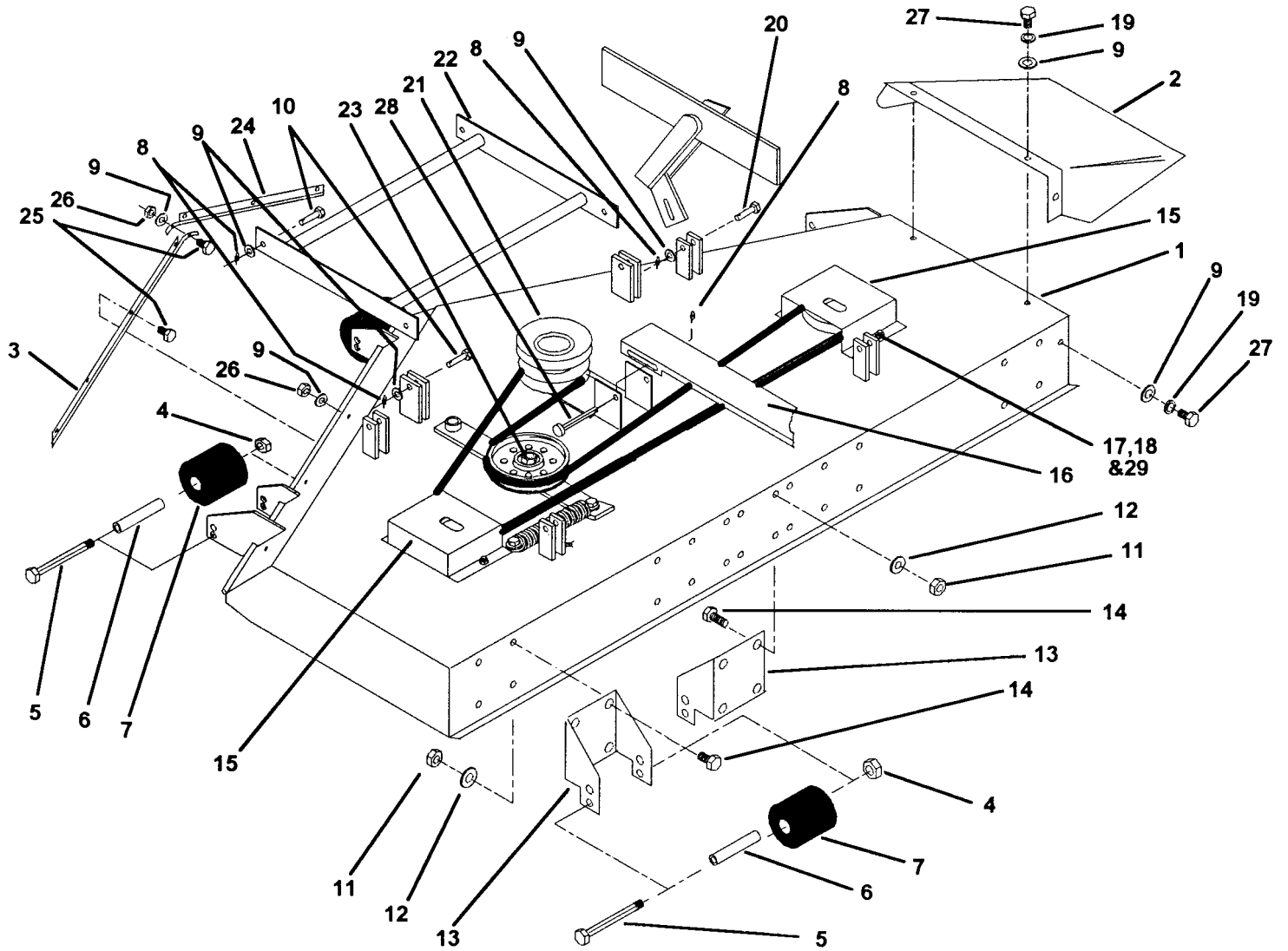


CASTER WHEEL ASSEMBLY

| <u>ITEM</u> | <u>PART NO.</u> | <u>DESCRIPTION</u> |
|-------------|-----------------|--|
| 1 | 79357 | SHIELD, BEARING (4) |
| 2 | 79339 | BEARING, 5/8 I.D. X 1-3/8 O.D. (4) |
| 3 | 79358 | SPACER, BEARING (2) |
| 4 | 79363 | BOLT, 1/2-13 X 8" GR.5 (2) |
| 5 | 62323 | CASTER WELDMENT, UNI JOYSTICK |
| 6 | 79262 | NUT, 1/2-13, STOVER (2) |
| 7 | 62315 | TIRE, 13X5-6, ON WHEEL, (RIBBED TREAD) (2) |
| 8 | 79285 | PIN, SPIRAL, 3/16 X 2 HEAVY DUTY (2) |
| 9 | 79352 | CAP, BEARING (2) |
| 10 | 79410 | WASHER, FLAT STD. 1/4" (2) |
| 11 | 79344 | BOLT, 1/4-20 X 5/8" GR.5 (2) |
| 12 | 90052 | LOCK WASHER, 1/4" HEAVY SPRING (2) |
| 13 | 79331 | BEARING, SPD SF-16-32 W/O COLLAR (4) |
| 14 | 62324 | SPACER, CASTER BEARING(2) |



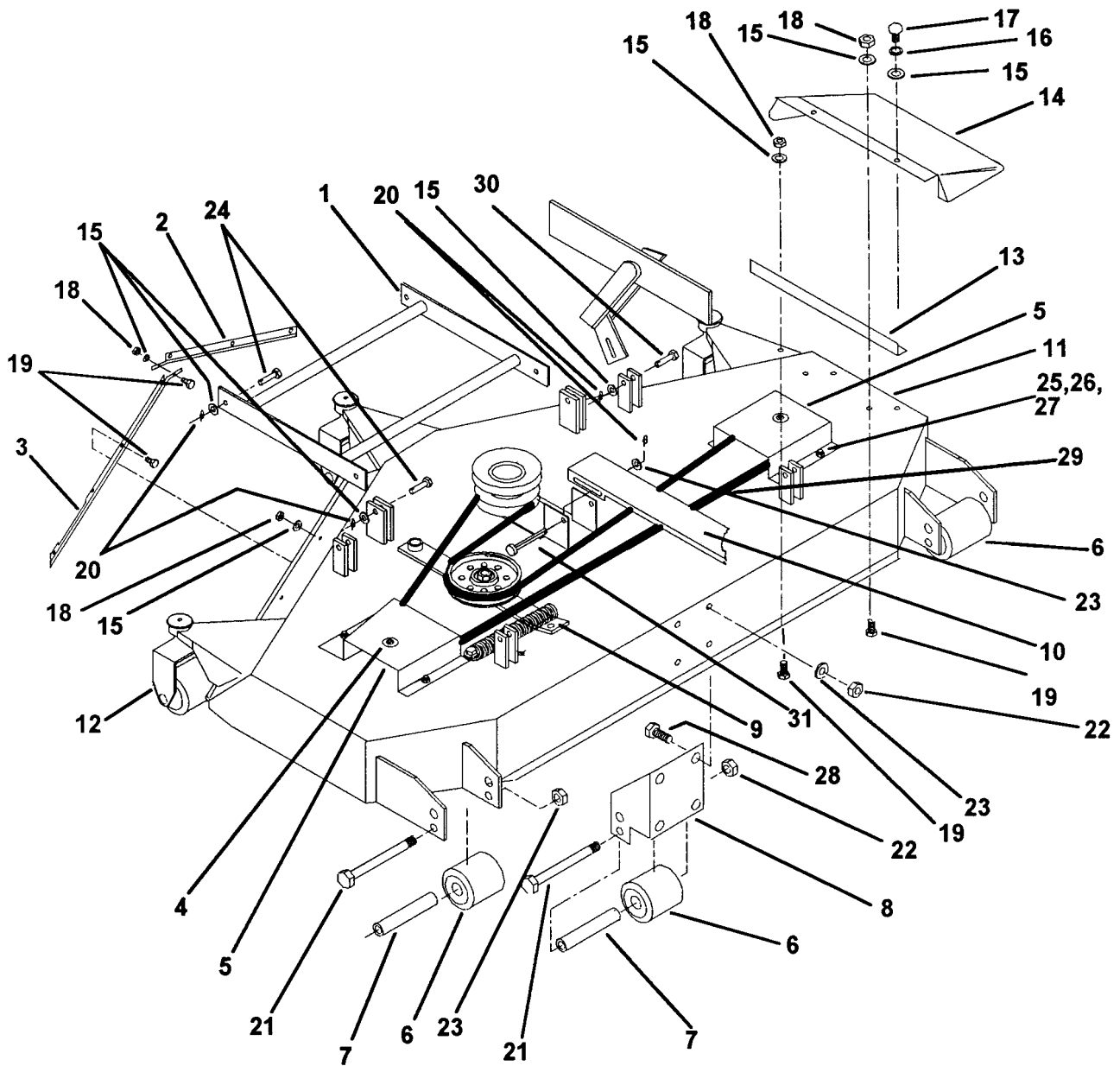
48" DECK ASSEMBLY



48" DECK ASSEMBLY

| <u>ITEM</u> | <u>PART NO.</u> | <u>DESCRIPTION</u> |
|-------------|------------------|-------------------------------------|
| 1 | 62392 | 48" DECK, WELDMENT |
| 2 | 62211 | 48" DECK CHUTE ASSEMBLY |
| - | 79234 | DECAL, BLOODY STUMP |
| 3 | 62224 | LIP BAFFLE, 48" L. H. |
| 4 | 90499 | LOCKNUT, 3/8-16, .218 THICK (6) |
| 5 | 79597 | CAP SCREW, 3/8-16 X 5" GR. 5 (6) |
| 6 | 79023 | ROLLER SPACER BUSHING (6) |
| 7 | 79226 | ROLLER (6) |
| 8 | 79291 | COTTER RUE RING, 5/16-3/8 PIN (9) |
| 9 | 79263 | WASHER FLAT STD. 5/16" (19) |
| 10 | 79284 | CLEVIS PIN, 5/16 X 1-1/4" LONG (5) |
| 11 | 79273 | NUT, 3/8-16 NYLOC (8) |
| 12 | 90600 | WASHER, FLAT STD. 3/8" (8) |
| 13 | 62214 | REAR ANTI-SCALPER BRACKET (3) |
| 14 | 90603 | BOLT, 3/8-16 X 7/8" GR. 5 (12) |
| 15 | 62215 | PULLEY COVER, LOW HEIGHT (2) |
| 16 | See Page 24 & 25 | DOUBLE IDLER CHANNEL ASSEMBLY |
| 17 | 90073 | BOLT, 1/4-20 X 3/4" GR. 5 (4) |
| 18 | 90052 | LOCK WASHER, 1/4" SPLIT SPRING (4) |
| 19 | 79267 | LOCK WASHER, 5/16" SPLIT SPRING (4) |
| 20 | 79318 | CLEVIS PIN, 5/16 X 1-1/2" LONG (4) |
| 21 | See Page 26 & 27 | SPINDLE ASSEMBLY (3) |
| 22 | 79655 | DRAG BAR WELDMENT |
| 23 | See Page 29 | SINGLE IDLER PARTS |
| 24 | 62223 | LIP BAFFLE, 48" DECK, R.H. |
| 25 | 79438 | BOLT, 5/16-18 X 3/4" CARRIAGE (8) |
| 26 | 90717 | NUT, 5/16-18 NYLOC (8) |
| 27 | 76934 | BOLT, 5/16-18 X 3/4" GR. 5 (4) |
| 28 | 62163 | CLEVIS PIN, 3/8 X 2-3/4 O.A.L. |
| 29 | 79410 | WASHER, FLAT STD, STEEL, 1/4" (4) |
| - | 62199 | DECAL, "GREASE SPINDLES" |
| - | 79240 | DECAL, "WARNING ROTATING BLADES" |
| - | 79242 | DECAL, "MISSING DECK CHUTE" |
| - | 62389 | DECAL, "MODEL ZU4804M" |
| - | 79777 | 48" DECK CROSS BELT, AP-100 |
| - | 62065 | ENGINE TO DECK BELT, BP-87 |

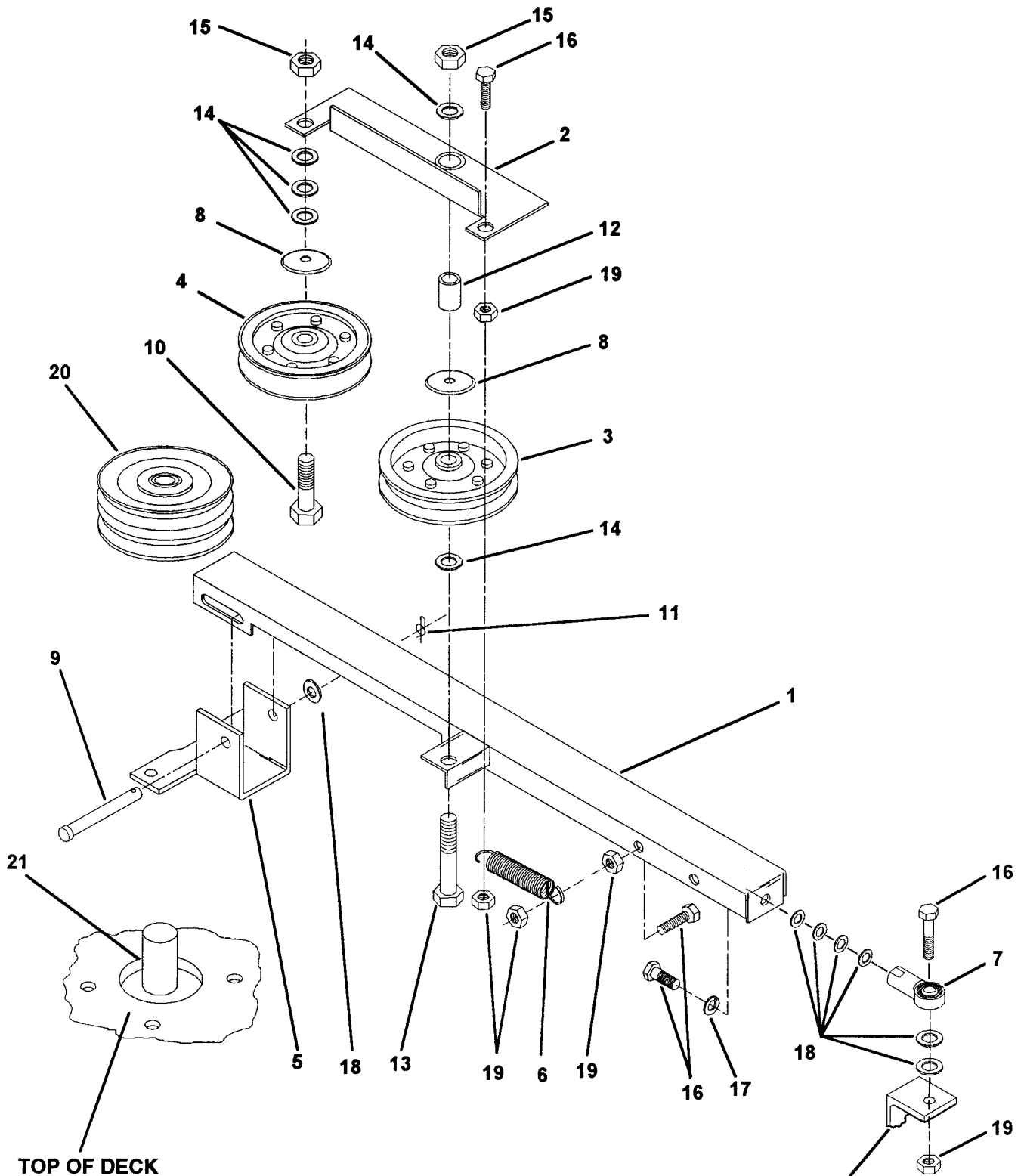
60" DECK ASSEMBLY



60" DECK ASSEMBLY

| <u>ITEM</u> | <u>PART NO.</u> | <u>DESCRIPTION</u> |
|-------------|------------------|-------------------------------------|
| 1 | 79655 | DRAG BAR WELDMENT |
| 2 | 62221 | LIP BAFFLE R.H. |
| 3 | 62222 | LIP BAFFLE L.H. |
| 4 | See Page 26 & 27 | SPINDLE ASSEMBLY (3) |
| 5 | 62217 | BELT GUARD (2) |
| 6 | 79868 | ROLLER, 3-3/4 X 4-13/16" LONG (6) |
| 7 | 79882 | BUSHING (6) |
| 8 | 62219 | BRACKET, REAR CENTER |
| 9 | See Page 29 | SINGLE IDLER PARTS |
| 10 | See Page 24 & 25 | DOUBLE IDLER CHANNEL ASSEMBLY |
| 11 | 62393 | 60" DECK WELDMENT |
| 12 | See Page 28 | 60" DECK CASTER WHEEL |
| 13 | 62218 | OUTLET STIFFENER |
| 14 | 62220 | CHUTE ASSEMBLY |
| - | 79234 | DECAL "BLOODY STUMP" |
| 15 | 90188 | WASHER, FLAT STD. 5/16" (25) |
| 16 | 79851 | LOCK WASHER, INT. STAR 5/16" |
| 17 | 79850 | THUMBSCREW, 5/16-18 X 3/4" LONG (2) |
| 18 | 90717 | NUT, 5/16-18 NYLOC (13) |
| 19 | 79438 | BOLT, 5/16-18 X 3/4" CARRIAGE (14) |
| 20 | 79291 | COTTER RUE RING, 5/16 - 3/8 PIN (8) |
| 21 | 79845 | BOLT, 3/8-16 X 6" GR. 5 (6) |
| 22 | 79273 | NUT, 3/8-16 NYLOC (4) |
| 23 | 90600 | WASHER, FLAT STD. 3/8" (5) |
| 24 | 79284 | CLEVIS PIN, 5/16 X 1-1/4" LONG (4) |
| 25 | 90073 | BOLT, 1/4-20 X 3/4" GR. 5 (4) |
| 26 | 90052 | LOCK WASHER, 1/4" SPLIT SPRING (4) |
| 27 | 79410 | WASHER, FLAT STD. 1/4" (4) |
| 28 | 90603 | BOLT, 3/8-16 X 7/8" GR. 5 (4) |
| 29 | 79186 | DECK CROSS BELT A-112, KEVLAR |
| 30 | 79318 | CLEVIS PIN, 3/8 X 2" LONG (4) |
| 31 | 62163 | CLEVIS PIN, 3/8 X 2-3/4 O.A.L. |
| - | 62199 | DECAL, "GREASE SPINDLES" |
| - | 79240 | DECAL, "WARNING- ROTATING BLADES" |
| - | 79242 | DECAL, "MISSING CHUTE" |
| - | 62390 | DECAL, "MODEL #ZU6004M" |
| - | 62065 | ENGINE TO DECK BELT, BP-87 |

DOUBLE IDLER CHANNEL ASSEMBLY



**TOP OF DECK
WELDMENT**
(See Pages 20 & 23)

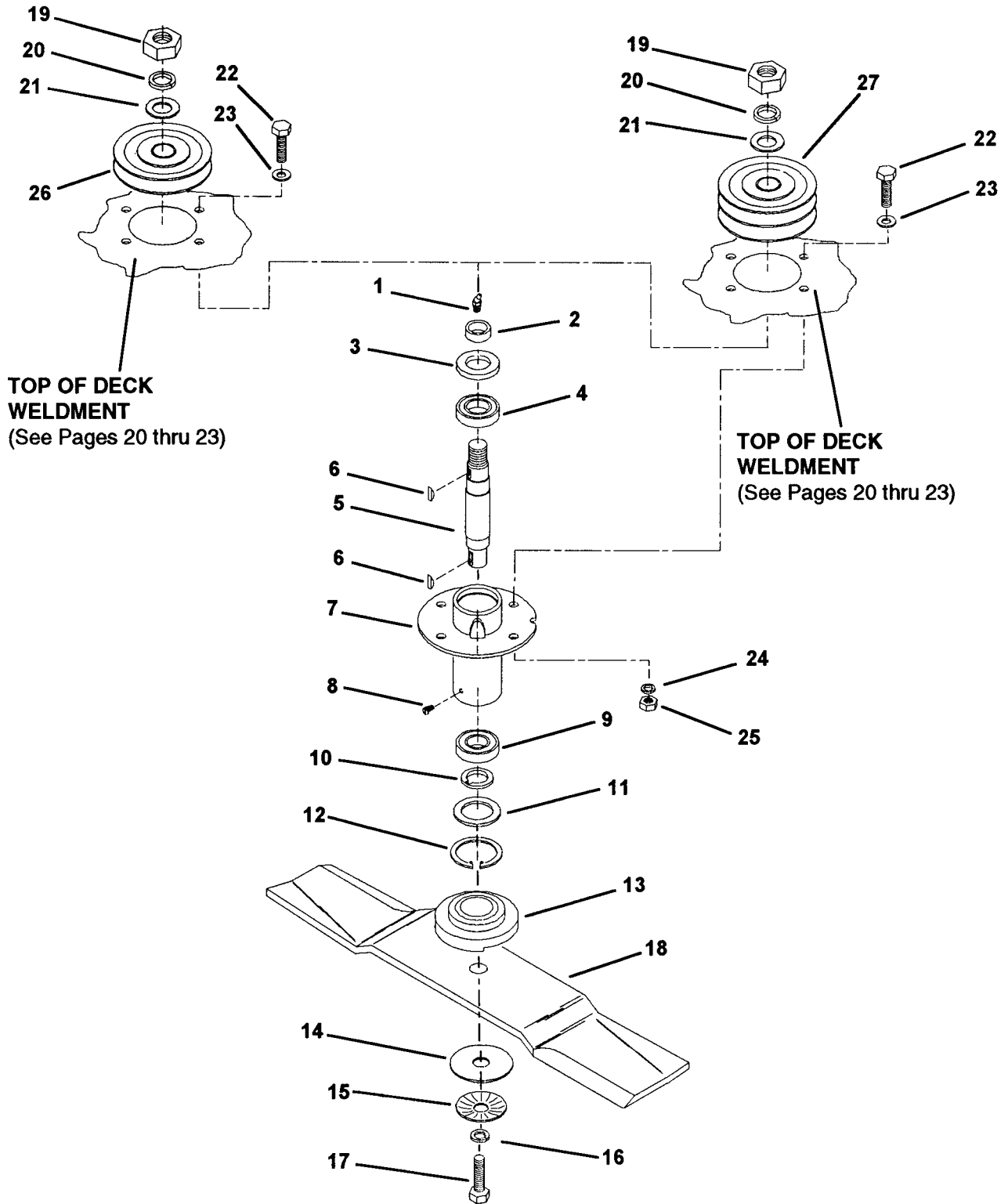
**ANGLE LUG ON
MOTOR MOUNT**
(See Page 3)

NOTE: KIT, Replacement Idler Mounting Pin
Part Number is 62421.

DOUBLE IDLER CHANNEL ASSEMBLY

| <u>ITEM</u> | <u>PART NO.</u> | <u>DESCRIPTION</u> |
|-------------|------------------|-------------------------------------|
| 1 | 62362 | CHANNEL WLDT, DOUBLE IDLER MNT |
| 2 | 62363 | DOUBLE IDLER PIVOT WELDMENT |
| 3 | 79167 | PULLEY FLAT IDLED 1/2 BORE 4" |
| 4 | 79166 | PULLEY, V-IDLER, 4.48 O. D. |
| 5 | 62364 | BRACKET, CHANNEL, MTG. |
| 6 | 79217 | SPRING EXTENSION 3/4 X 4" OAL |
| 7 | 79954 | BALL JOINT, 3/8-24 FEMALE PLAIN |
| 8 | 62286 | WASHER, BEARING CAP (2) |
| 9 | 62365 | CLEVIS PIN, 3/8 2-3/4 O. A. L. |
| 10 | 79276 | HH CAPSCREW, 1/2-13 X 2 L, GR 5 |
| 11 | 79291 | COTTER, RUE RING 5/16-3/8 PIN |
| 12 | 62370 | BUSHING, IDLER M |
| 13 | 62388 | CAPSCREW, 1/2-13 X 3 |
| 14 | 79264 | WASHER, FLAT, STD, 1/2 (5) |
| 15 | 79277 | 1/2"-13 LOCKNUT W/NYLOC (2) |
| 16 | 79422 | CAP SCREW, 3/8-24 X 1-1/4 GR.5 (4) |
| 17 | 79268 | LOCK WASHER 3/8 HVY SPRING |
| 18 | 90600 | WASHER, FLAT, STD, STEEL 3/8 (4) |
| 19 | 90289 | LOCK NUT, 3/8 24 M-F LOCKNUT (5) |
| 20 | - | PULLEY, 2 GROOVE, SPLIT STEEL |
| | 79820 | 4-1/2" O.D., 48" DECK |
| | 79821 | 5-3/8" O.D., 60" DECK |
| 21 | See Page 26 & 27 | SPINDLE ASSEMBLY (48" OR 60" DECK) |

DECK SPINDLE ASSEMBLY



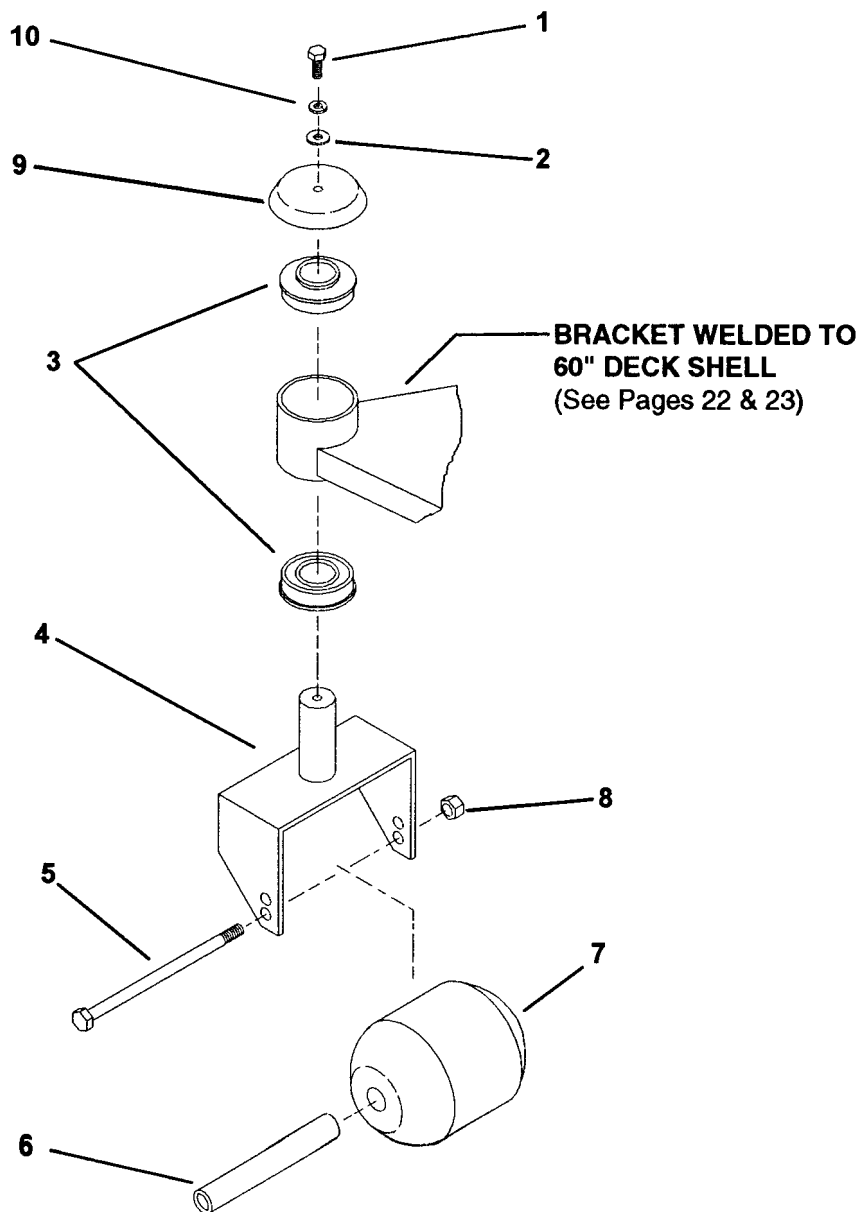
DECK SPINDLE ASSEMBLY

| <u>ITEM</u> | <u>PART NO.</u> | <u>DESCRIPTION</u> |
|-------------|-----------------|-------------------------------------|
| — | 62171 | DECK SPINDLE ASSEMBLY (3) |
| 1 | 62164 | GREASE FITTING |
| 2 | 62216 | SEAL RACE |
| 3 | 62183 | OIL SEAL |
| 4 | 62155 | BALL BEARING: SST # 6205 |
| 5 | 62172 | SPINDLE SHAFT |
| 6 | 79159 | WOODRUFF KEY 1/4 X 3/4 (2) |
| 7 | 62173 | SPINDLE HOUSING |
| 8 | 79269 | DRIVE, SCREW # 4 |
| 9 | 62182 | BALL BEARING: NTN #6205-RS |
| 10 | 79044 | ARBOR SPACER |
| 11 | 79876 | SEAL WASHER |
| 12 | 79855 | SNAP RING: 52 MM INTERNAL BORE |
| 13 | 79877 | BLADE SPACER |
| 14 | 79038 | FLAT WASHER, 1/2 X 2-1/2 |
| 15 | 79296 | CUPPED WASHER, 1/2" |
| 16 | 90254 | LOCK WASHER, STANDARD: 1/2" |
| 17 | 79309 | CAP SCREW HX, 1/2-13 X 1-1/2" LG. |
| 18 | 79369 | BLADE: LOW LIFT 17" CUT, 48" DECK |
| — | 79222 | LOW LIFT 21" CUT, 60" DECK |
| 19 | 79286 | NUT, HEX JAM: 3/4 |
| 20 | 79287 | LOCK WASHER, SPLIT SPRING: 3/4 |
| 21 | 79299 | FLAT WASHER, NARROW: 3/4 |
| 22 | 79326 | CAPSCREW, HEX HD: 3/8-24 NF X 1-1/2 |
| 23 | 79039 | SPINDLE REINFORCEMENT(4) |
| 24 | 79268 | LOCK WASHER, SPLIT SPRING: 3/8 |
| 25 | 90289 | LOCKNUT, M-F:3/8-24 NF |
| 26 | 79819 | PULLEY, 4 DIA. SPLIT STEEL |
| 27 | 79821 | PULLEY, 2 GROOVE, SPLIT STEEL |
| — | 79820 | 4-1/2" O.D., 48" DECK |
| | 79821 | 5-3/8" O.D., 60" DECK |

NOTE: OPTIONAL BLADES ARE AVAILABLE AS FOLLOWS:
 79388 BLADE, HIGH LIFT, 17" CUT, 48" DECK
 79371 BLADE, HIGH LIFT, 21" CUT, 60" DECK

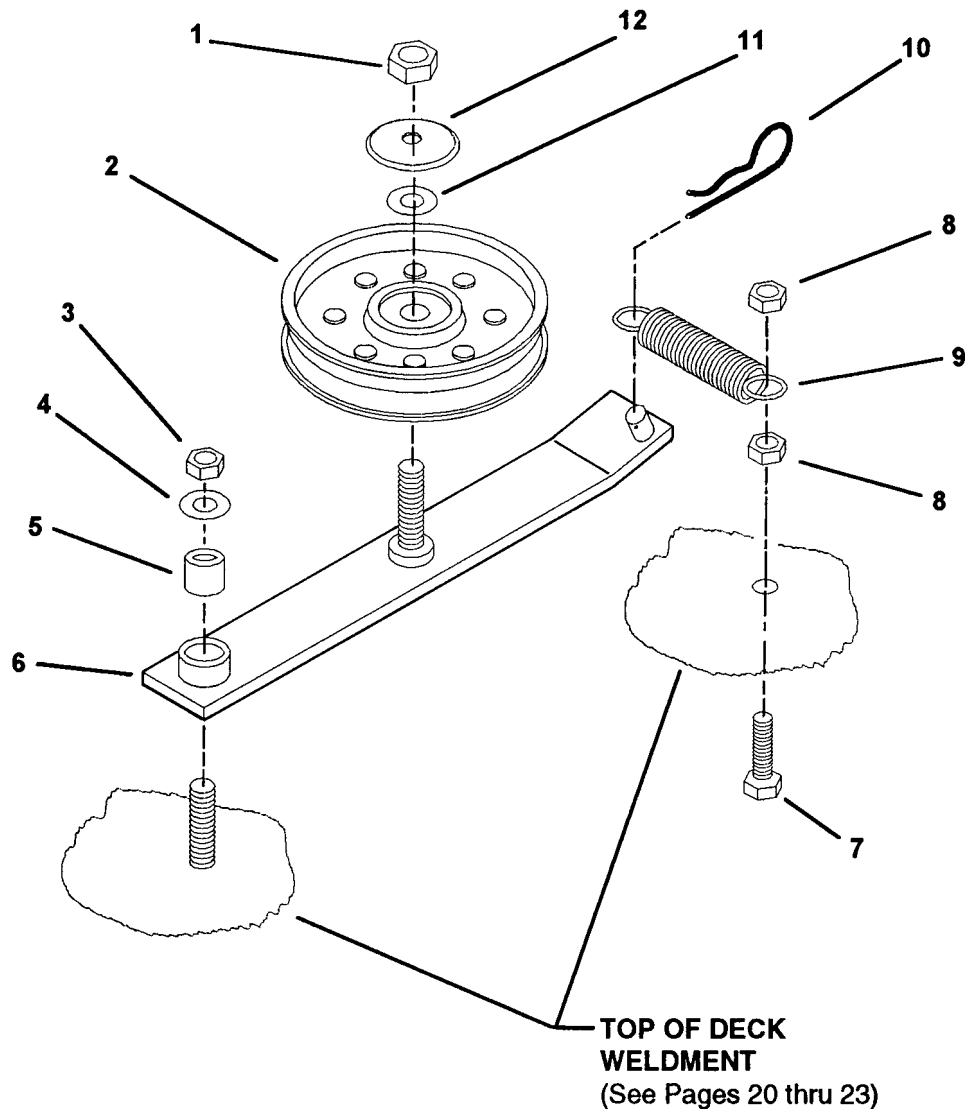
60" DECK CASTER WHEEL ASSEMBLY

| <u>ITEM</u> | <u>PART NO.</u> | <u>DESCRIPTION</u> |
|-------------|-----------------|-------------------------------------|
| 1 | 90073 | BOLT, 1/4-20 X 3/4" GR. 5 |
| 2 | 79410 | WASHER, FLAT STD. 1/4" |
| 3 | 79331 | BEARING, SPD SF-16-32 NO/COLLAR (2) |
| 4 | 79883 | SWIVEL YOKE WELDMENT |
| 5 | 79845 | BOLT, 3/8-16 X 6" GR. 5 |
| 6 | 79882 | BUSHING |
| 7 | 79868 | ROLLER, 3-3/4" X 4-13/16" LONG |
| 8 | 79273 | NUT, 3/8-16 NYLOC |
| 9 | 79352 | CAP, BEARING |
| 10 | 90052 | LOCK WASHER, 1/4" SPLIT SPRING |



SINGLE IDLER ASSEMBLY

| <u>ITEM</u> | <u>PART NO.</u> | <u>DESCRIPTION</u> |
|-------------|-----------------|---------------------------------------|
| 1 | 79277 | NUT, HEX. 1/2-13 NYLOC |
| 2 | 79167 | PULLEY, FLAT IDLER, 1/2 BORE, 4" O.D. |
| 3 | 79273 | NUT, HEX. 3/8-16 NYLOC |
| 4 | 90600 | WASHER, FLAT STD. 3/8" W SERIES |
| 5 | 79174 | BEARING OILITE, 3/8 I.D. X 5/8" O.D. |
| 6 | 79015 | SINGLE IDLER ARM WELDMENT, 60" DECK |
| - | 79880 | SINGLE IDLER ARM WELDMENT. 48" DECK |
| 7 | 79422 | BOLT, 3/8-24 X 1-1/4" GR. 5 |
| 8 | 90289 | NUT, 3/8-24, M-F LOCKNUT (2) |
| 9 | 79217 | SPRING, EXTENSION, 3/4 X 4" O.A.L. |
| 10 | 79289 | PIN, HAIR SPRING, 1/8 X 2-1/2" |
| 11 | 79306 | 1/2" WASHER, TYPE B NARROW |
| 12 | 62286 | WASHER, BEARING CAP |



Parts Manual for

SNAPPER®

ZERO TURN RADIUS MOWER

TRACTOR MODEL: ZU2014K

DECK MODELS:

ZU4804M & ZU6004M

SERIES 4

IT IS THE POLICY OF SNAPPER TO IMPROVE ITS PRODUCTS WHENEVER IT IS POSSIBLE AND PRACTICAL TO DO SO. WE RESERVE THE RIGHT TO MAKE CHANGES OR ADD IMPROVEMENTS AT ANY TIME WITHOUT INCURRING ANY OBLIGATION TO MAKE SUCH CHANGES ON PRODUCTS MANUFACTURED PREVIOUSLY.

SNAPPER® McDonough, GA., 30253 U.S.A.

MANUAL No. 06434 (Rev. 2, 6/97)

Printed in U.S.A.

Free Manuals Download Website

<http://myh66.com>

<http://usermanuals.us>

<http://www.somanuals.com>

<http://www.4manuals.cc>

<http://www.manual-lib.com>

<http://www.404manual.com>

<http://www.luxmanual.com>

<http://aubethermostatmanual.com>

Golf course search by state

<http://golfingnear.com>

Email search by domain

<http://emailbydomain.com>

Auto manuals search

<http://auto.somanuals.com>

TV manuals search

<http://tv.somanuals.com>