

Parts Manual For

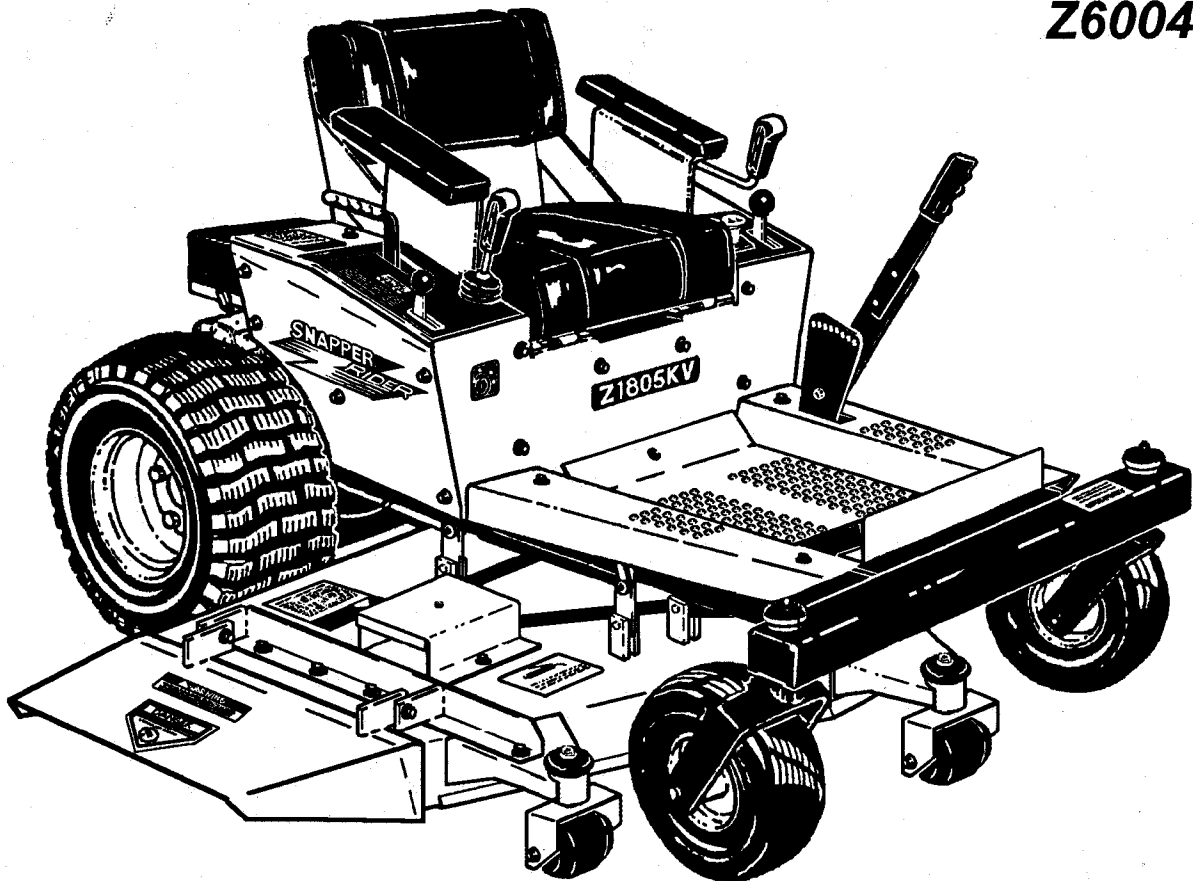
SNAPPER®

ZERO TURN RADIUS MOWER

TRACTOR MODELS: Z1805KV AND Z2205KV

DECK MODELS: Z4804M AND

Z6004M



SNAPPER® McDonough, GA., 30253 U.S.A

(11/95)

MANUAL No. 06441

TABLE OF CONTENTS

TRACTOR AND RELATED PARTS:

	PAGE
FRAME SIDES AND RELATED PARTS -----	1
SEAT SUPPORT ASSEMBLY AND BODY COVER PARTS -----	2,3
ARM REST ASSEMBLY -----	4
SEAT ASSEMBLY -----	5
JOYSTICK STEERING CONTROL PARTS -----	6,7
PARKING BRAKE ASSEMBLY -----	8
HYDROSTAT/GEARBOX ASSEMBLY -----	9
HYDROSTAT ASSEMBLY -----	10,11
MOTOR MOUNT ASSEMBLY -----	12,13
18 AND 22 H.P. ENGINE ASSEMBLY -----	14
CASTER WHEEL ASSEMBLY -----	15
WIRE HARNESS -----	16,17
DECK LIFT PARTS -----	18

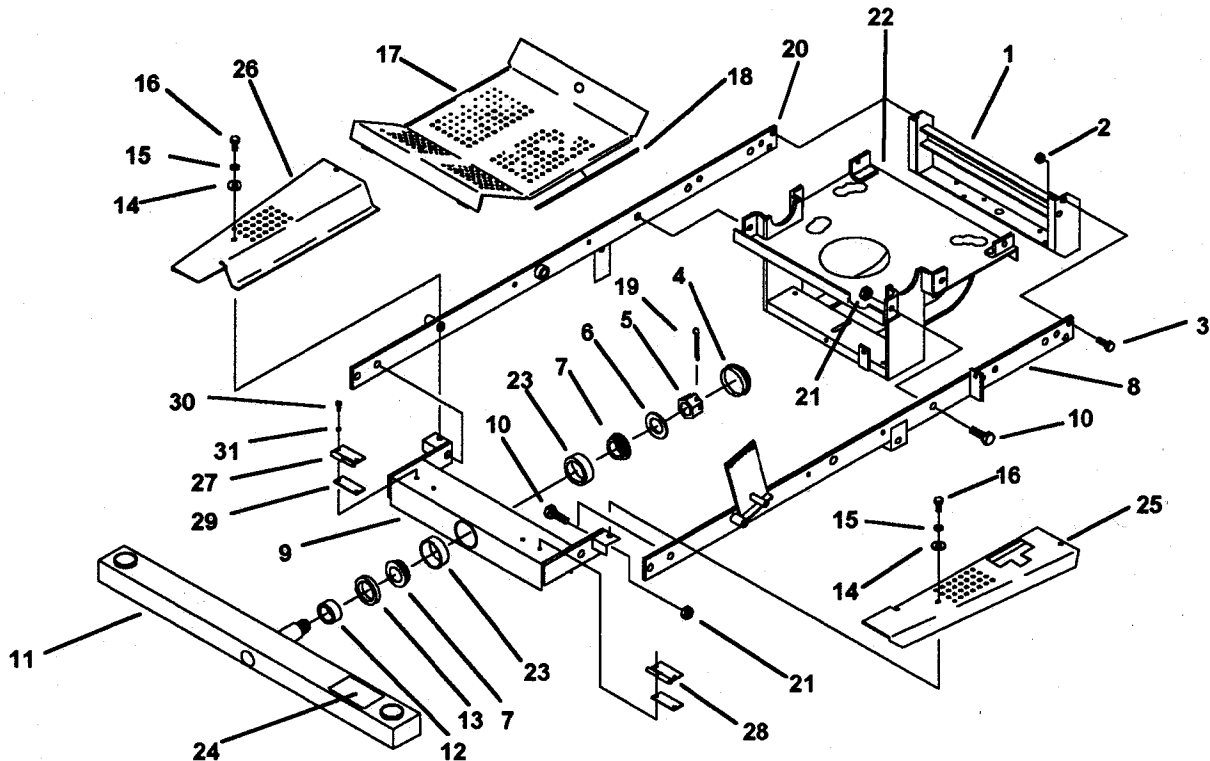
MOWER DECK AND RELATED PARTS

48" DECK ASSEMBLY -----	20,21
60" DECK ASSEMBLY -----	22,23
DECK SPINDLE ASSEMBLY -----	24,25
DOUBLE IDLER ASSEMBLY -----	26
SINGLE IDLER ASSEMBLY -----	27

ACCESSORIES -----	28
--------------------------	-----------

FRAME SIDES AND RELATED PARTS

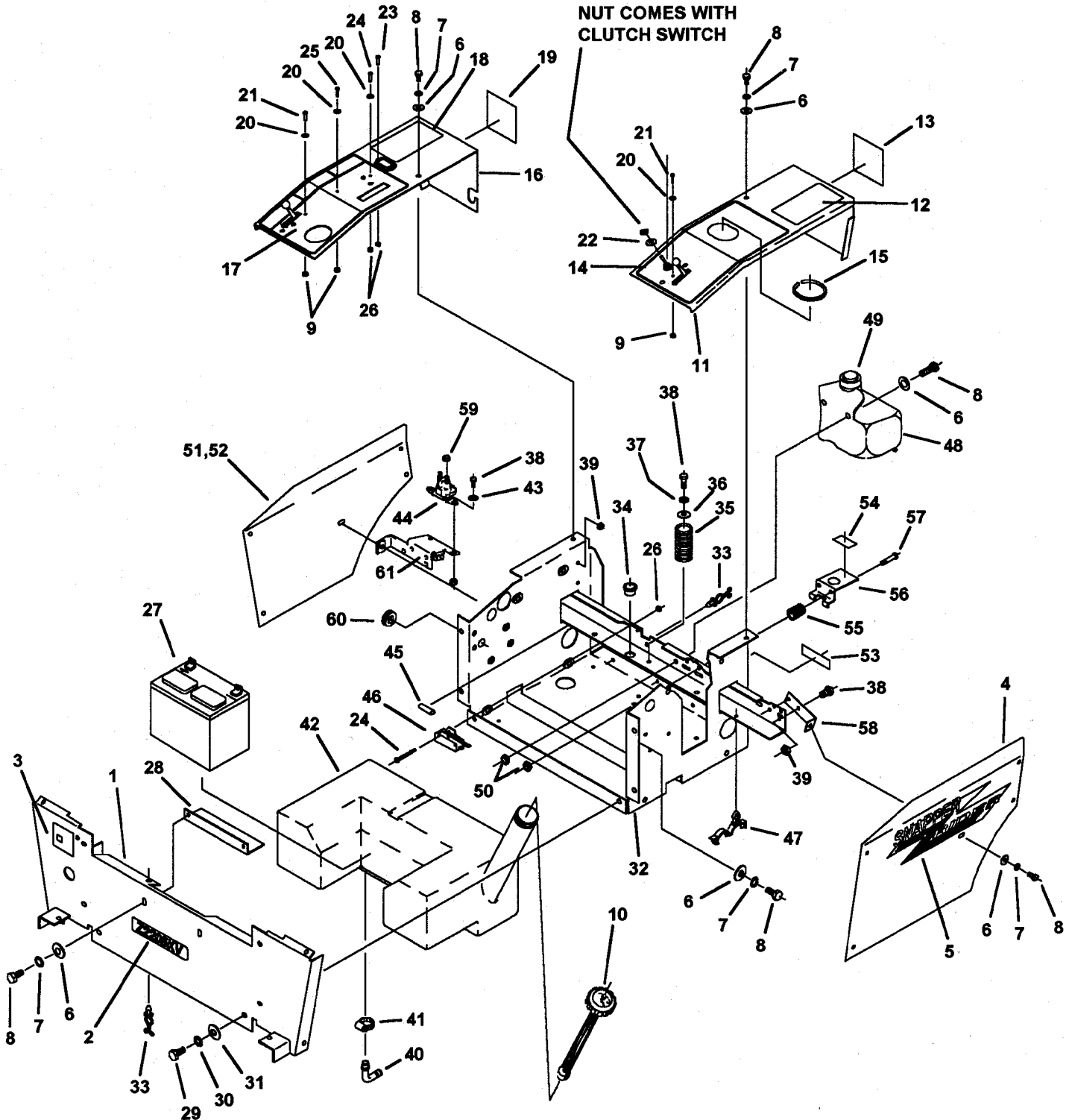
<u>ITEM</u>	<u>PART NO.</u>	<u>DESCRIPTION</u>
1	79668	REAR BUMPER WELDMENT
2	79273	NUT, 3/8-16 NYLOC (4)
3	90587	BOLT, 3/8-16 X 1-1/4" GR.5 (4)
4	79859	GREASE CAP
5	79836	CASTLE NUT, HEX. 1"-14
6	79020	WASHER, 1" 10 GA.
7	79812	BEARING CONE (2)
8	62446	FRAME SIDE WLDT., L.H.
9	79707	FRONT CHANNEL WELDMENT
10	62038	BOLT, 1/2-13 X 1-1/4" GR.5 (10)
11	79677	FRONT BUMPER/AXLE WELDMENT
12	79711	BEARING SPACER
13	79822	SEAL, OIL 1.688 SHAFT
14	90188	WASHER, FLAT STD. 5/16" (4)
15	79267	LOCKWASHER, 5/16" HEAVY SPRING (4)
16	79315	BOLT, 5/16-18 X 3/4" GR. 5 (4)
17	62449	FOOT DECK WELDMENT
18	62474	TRIM-LOC U CHANNEL 1/8 X 2 LIP (2)
19	79839	COTTER PIN, 3/16 X 2"
20	62445	FRAME SIDE WLDT., R.H.
21	79262	NUT, 1/2-13, STOVER (10)
22	62506	MOTOR MOUNT WELDMENT
23	79909	BEARING CUP (2)
24	62516	DECAL, "FREEWHEEL MACHINE"
25	62452	FOOT DECK SKIRT, LH
26	62451	FOOT DECK SKIRT, RH
27	79928	HINGE R.H.
28	79927	HINGE L.H.
29	62458	HINGE SHIM PLATE (2)
30	90073	BOLT, 1/4-20 X 3/4" GR. 5 (4)
31	90052	LOCKWASHER, 1/4" SPLIT SPRING (4)



SEAT SUPPORT ASSEMBLY & BODY COVER PARTS

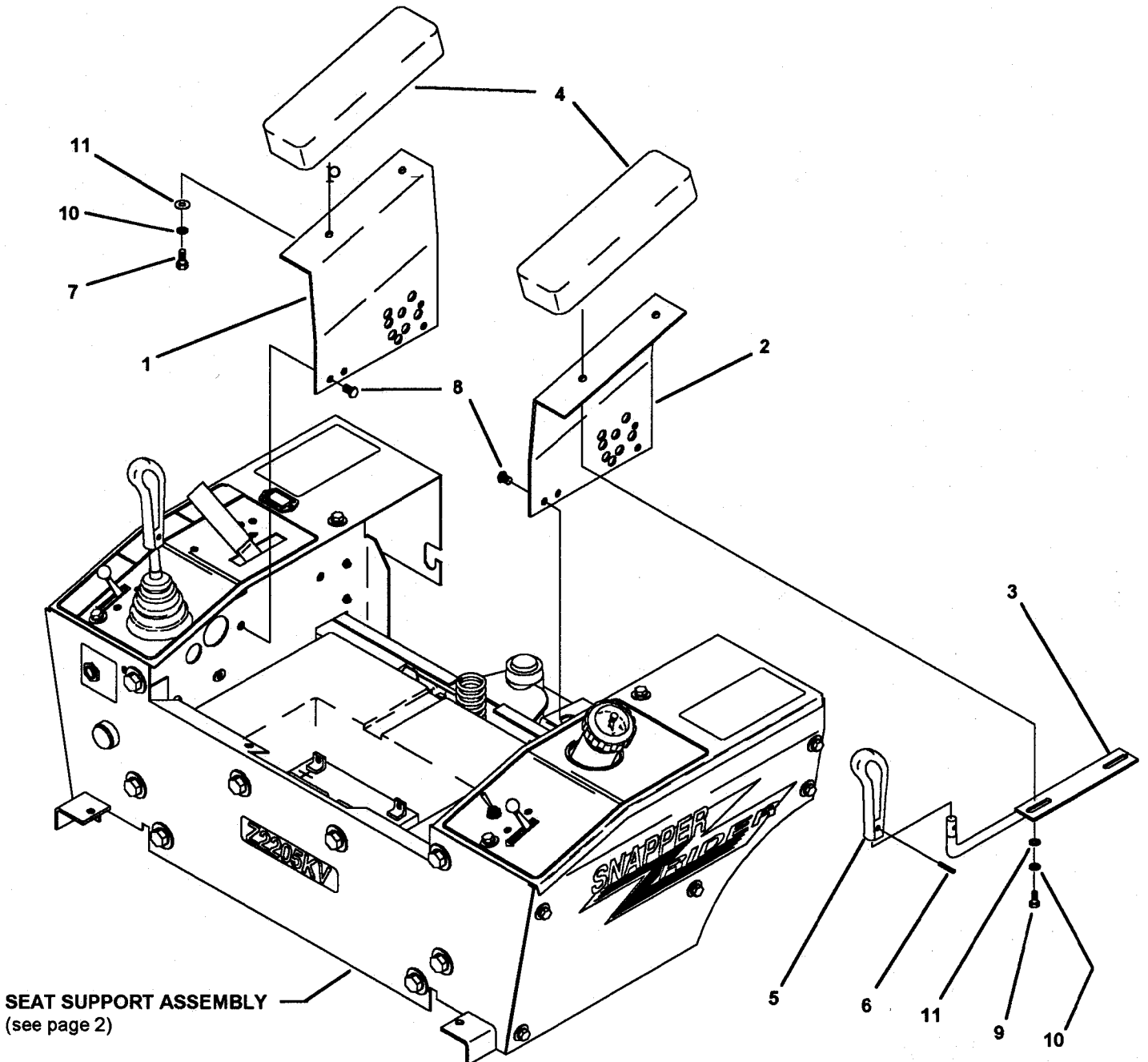
<u>ITEM</u>	<u>PART NO.</u>	<u>DESCRIPTION</u>
1	62548	SEAT SUPPORT FRONT ASSEMBLY
2	62524	DECAL, Z1805KV 18 H.P MODEL
--	62525	DECAL, Z2205KV 22 H.P MODEL
3	62521	DECAL, START SWITCH
4	62543	FENDER SKIRT, LH (w/decals)
5	62522	DECAL, SNAPPER Z-RIDER
6	90188	WASHER, FLAT STD. 5/16" (20)
7	79267	LOCKWASHER, 5/16" HEAVY SPRING (18)
8	79315	BOLT, 5/16-18 X 3/4" GR. 5 (20)
9	79828	LOCKNUT, #8-32 NYLOC (6)
10	79858	FUEL GAUGE CAP
11	62546	FENDER CAP (w/decals) LH
12	79238	DECAL, CAUTION
13	62516	DECAL, FREEWHEEL MACHINE
14	62520	DECAL, FENDER CAP L.H.
15	62058	TRIM, U-CHANNEL GAS TANK
16	62543	FENDER CAP (w/decals) RH
17	62519	DECAL, FENDER CAP R.H.
18	79239	DECAL, CAUTION
19	62528	DECAL, HYDRO DRIVE BELT
20	79826	WASHER, #8 FLAT (8)
21	79848	SCREW, MACHINE, #8-32 X 1/2" (4)
22	79890	D-WASHER
23	79825	SCREW, MACHINE, #6-32 X 5/8" (2)
24	79281	SCREW, MACHINE, #6-32 X 1" (4)
25	79849	SCREW, MACHINE, #8-32 X 3/4" (2)
26	79310	LOCKNUT, #6-32 NYLOC (6)
27	79482	BATTERY 12 VOLT
28	79698	BATTERY CLAMP ANGLE
29	79266	BOLT, 3/8-16 X 3/4" GR. 5 (6)
30	79268	LOCKWASHER, 3/8" HEAVY SPRING (6)
31	90600	WASHER, FLAT STD. 3/8" (6)
32	62443	SEAT SUPPORT WELDMENT
33	79864	BLIND HOLE KURLY (4)
34	79191	BUSHING, PLASTIC
35	79857	SEAT SPRING
36	79694	WASHER
37	90052	LOCKWASHER, 1/4" SPLIT SPRING
38	90073	BOLT, 1/4-20 X 3/4" GR. 5 (5)
39	79260	LOCKNUT, 1/4-20 NYLOC (4)
40	79853	ELBOW, 90D 1/4NPT X 1/4 BARB
41	79870	CLAMP, .31 MIN. X .87 MAX. HOSE DIA.
42	79856	FUEL TANK
43	79410	WASHER, FLAT STD. 1/4" (2)
44	79193	SOLENOID, 12V STARTER
45	79897	EDGE GUARD
46	79194	SWITCH, ENCL, SPDT 15A HINGED LEVER
47	79854	FITTING 1/2" ROSE BUD CLIP
48	62295	TANK, 1.5 QT. CHARGE PUMP
49	62247	CAP, OIL TANK
50	90717	NUT, HEX. 5/16-18 NYLOC (4)
51	62544	FENDER SKIRT, RH (w/decals)
52	62522	DECAL, SNAPPER Z-RIDER
53	62518	DECAL, TRANSMISSION OIL
54	62492	DECAL, "PULL TO RELEASE..."

55	62483	SPRING, COMPRESSION, .5 O.D. X .625 X .65 (2)
56	62457	LATCH PLATE
57	79824	BOLT, 5/16-18 X 1-3/4" GR.5 (2)
58	62455	SKIRT BRACKET, FENDER (2)
59	79324	NUT, 5/16-24 UNF, GR. 5 PLATED (2)
60	62473	GROMMET, RUBBER LAYELLE #917
61	62509	FENDER/SKIRT SOLENOID BRACKET



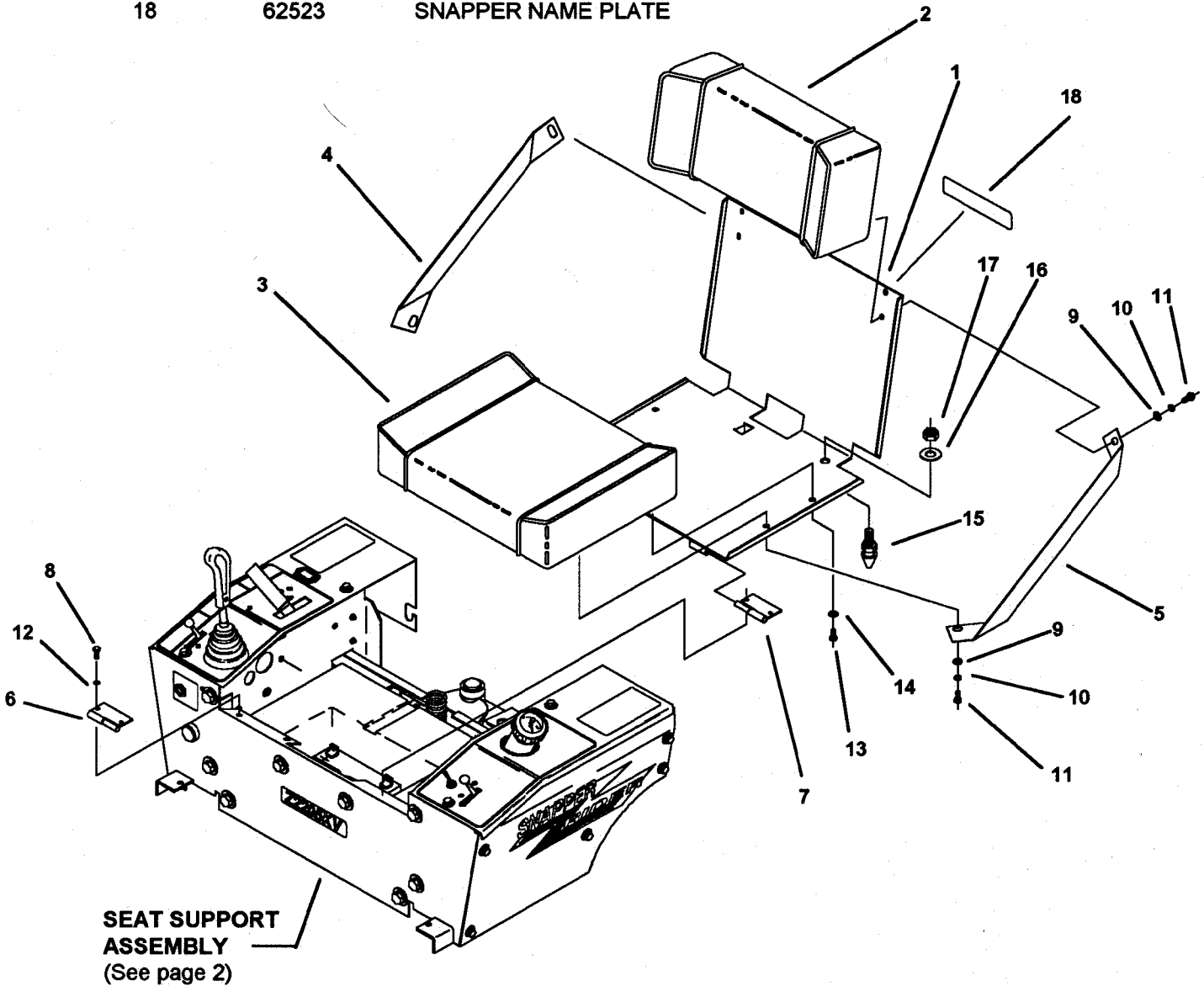
ARM REST ASSEMBLY

ITEM	PART NO.	DESCRIPTION
1	62441	ARM REST SUPPORT R.H.
2	62442	ARM REST SUPPORT L.H.
3	79495	SECURITY HANDLE WELDMENT
4	79004	ARM REST PAD ASSEMBLY (2)
5	23656	HANDLE, JOYSTICK, 7/16" BORE
6	79294	PIN, SPIRAL 3/16 X 1" LIGHT DUTY
7	79315	BOLT, 5/16-18 X 3/4" GR. 5 (2)
8	79910	BOLT, 3/8-16 X 1/2" NYLON PATCH (4)
9	90636	BOLT, 5/16-18 X 1" GR. 5 (2)
10	79267	LOCKWASHER, 5/16" HEAVY SPRING (4)
11	90188	WASHER, FLAT STD. 5/16" (4)



SEAT ASSEMBLY

ITEM	PART NO.	DESCRIPTION
1	79665	SEAT BRACKET WLDT.
2	79713	CUSHION BACK ASSEMBLY
3	79662	CUSHION SEAT ASSEMBLY
4	79931	GUSSET, SEAT RIGHT
5	79932	GUSSET, SEAT LEFT
6	79928	HINGE, R.H.
7	79927	HINGE, L.H.
8	90073	BOLT, 1/4-20 X 3/4" GR. 5 (4)
9	90188	WASHER, FLAT STD. 5/16" (6)
10	79267	LOCKWASHER, 5/16" SPLIT SPRING (6)
11	90636	BOLT, 5/16-18 X 1" GR. 5 (6)
12	90052	LOCKWASHER, 1/4" SPLIT SPRING (4)
13	62066	BOLT, 5/16-18 X 5/8" LONG LOCK (2)
14	62067	WASHER, 5/16 ID X 5/8 OD X .035 THK (2)
15	62456	LATCH PIN
16	79264	WASHER, FLAT STD. 1/2"
17	79277	1/2-13 LOCKNUT W/NYLOC
18	62523	SNAPPER NAME PLATE



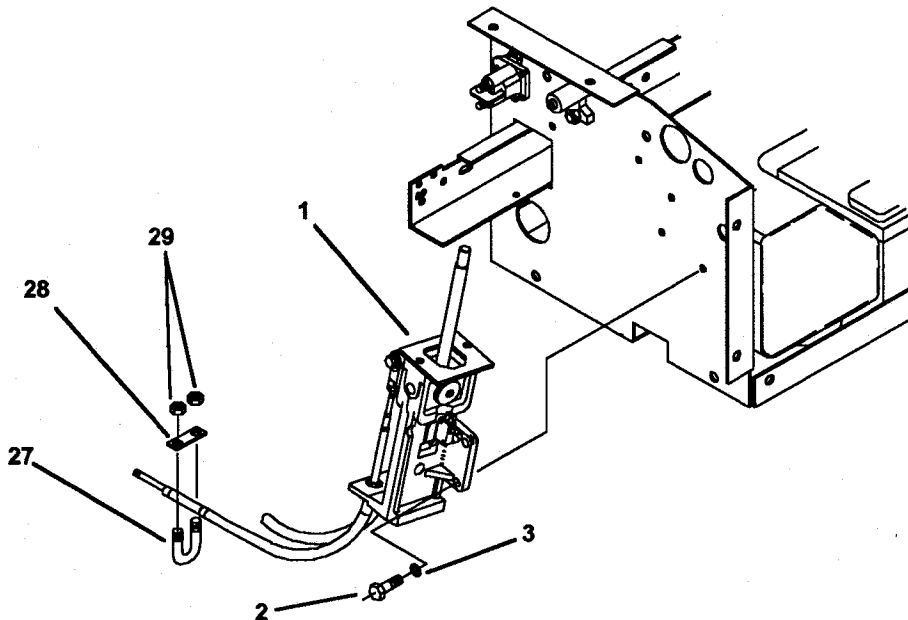
JOYSTICK STEERING CONTROL PARTS

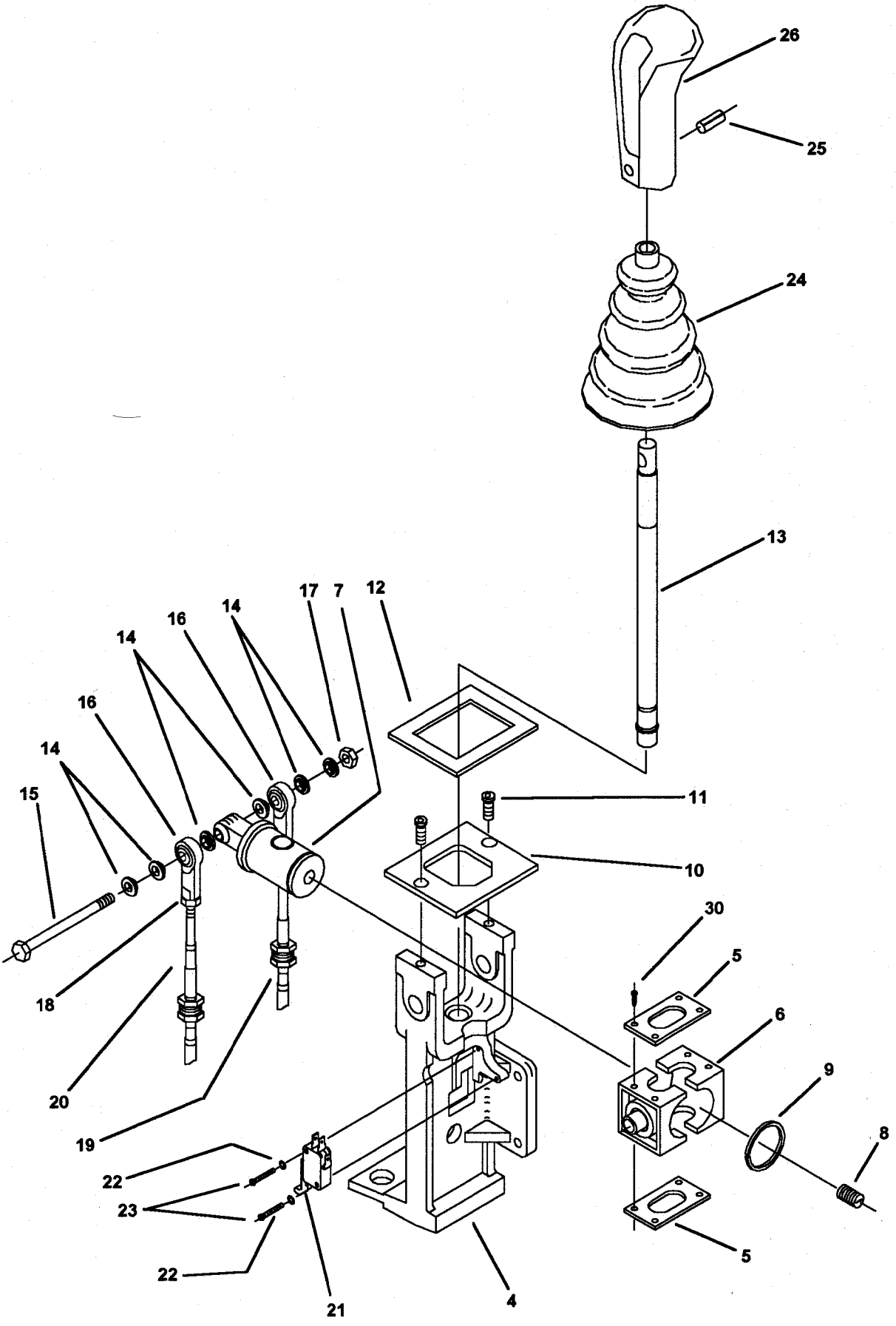
<u>ITEM</u>	<u>PART NO.</u>	<u>DESCRIPTION</u>
1	Illustration Only	JOYSTICK YOKE ASSEMBLY (Refer to page 7 for breakdown)
2	90073	CAP SCREW, 1/4-20 x 3/4", GR. 5 (3)
3	90052	LOCK WASHER, 1/4" SPLIT RING (3)
4	79522	JOYSTICK YOKE
5	62437	PIVOT BLOCK PLATE, JOYSTICK (2)
	**	DELRIN PLASTIC PIVOT PARTS
6	**	PIVOT BLOCK, Delrin Plastic
7	**	PIVOT SHAFT, Delrin Plastic
8	79537	BALL PLUNGER, 3/8-16 X 5/8"
9	62304	SNAP RING, SPIRLOCK
10	79734	TOP PLATE, JOYSTICK
11	79587	SCREW, 1/4-20 X 1/2", FLATHEAD (2)
12	79867	GASKET, FOAM
13	79696	JOYSTICK SHAFT ASSEMBLY
14	79807	BUSHING, BALL JOINT (6)
15	62259	CAP SCREW, 1/4-20 X 3", HEX HEAD
16	79513	BALL JOINT, 1/4-28, FEMALE (2)
17	79585	NUT, 1/4-20, STOVER
18	90095	NUT, 1/4-28, (comes with 19 & 20) (2)
19	62480	PUSH-PULL CABLE, 58"
20	62481	PUSH-PULL CABLE, 42"
21	79530	SWITCH, SPDT, MINIATURE
22	79534	LOCK WASHER, #4 STAR (2)
23	79535	SCREW, #4-40 X 3/4" (2)
24	79529	BELLOWS BOOT
25	79294	ROLL PIN, 3/16 X 1"
26	23656	HANDLE GRIP
27	79301	U-BOLT, 5/16-18 X 1 3/16" (2)
28	79104	U-BOLT SPACER (2)
29	90717	NUT, 5/16-18, NYLOCK (4)
30	62470	SCREW, #6-32 X 3/8", TYPE B POINT, SLOTTED HD. (4)

**** - NOTE:**

USE REPLACEMENT KIT

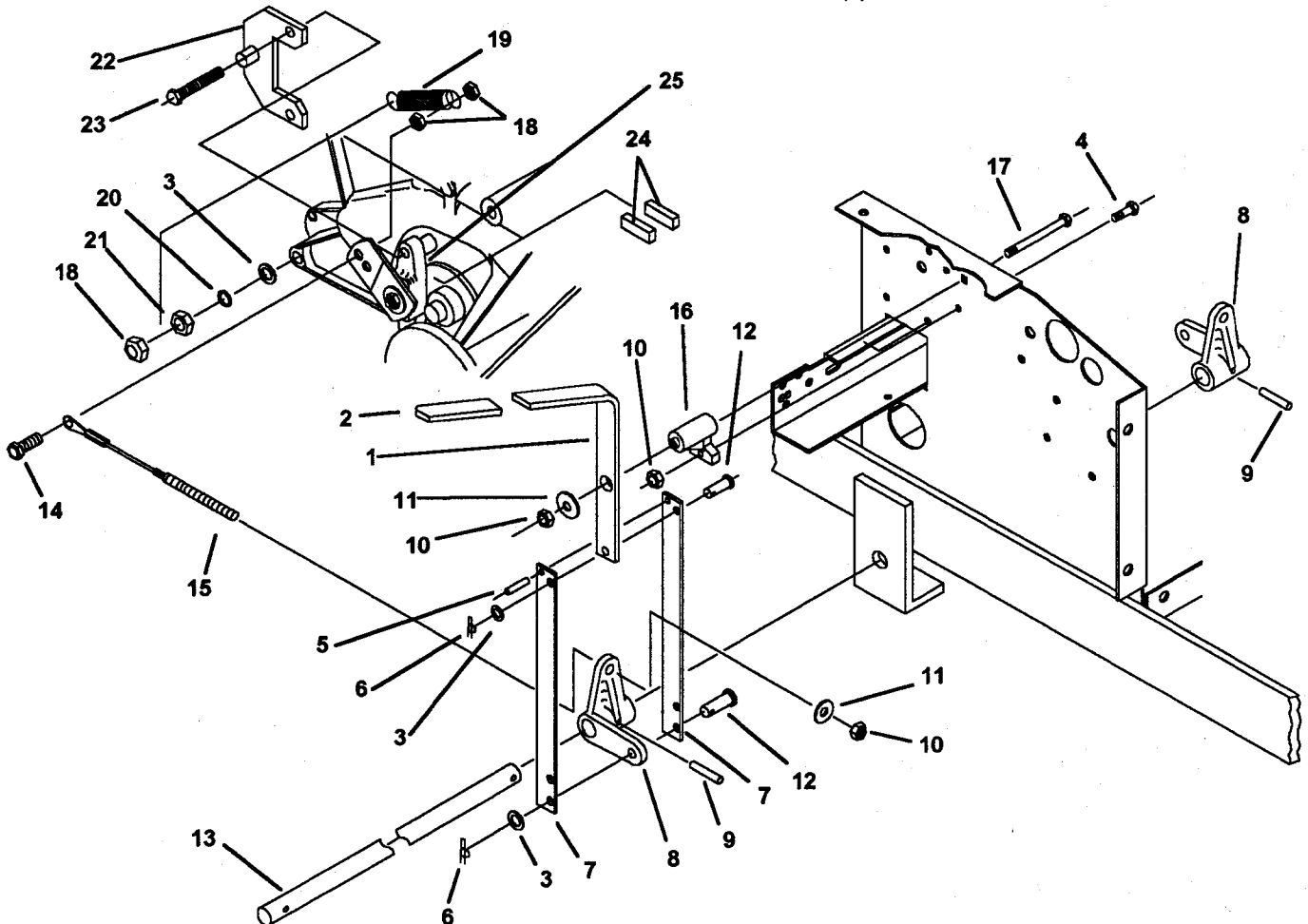
#62303 (kit includes items 6 and 7)





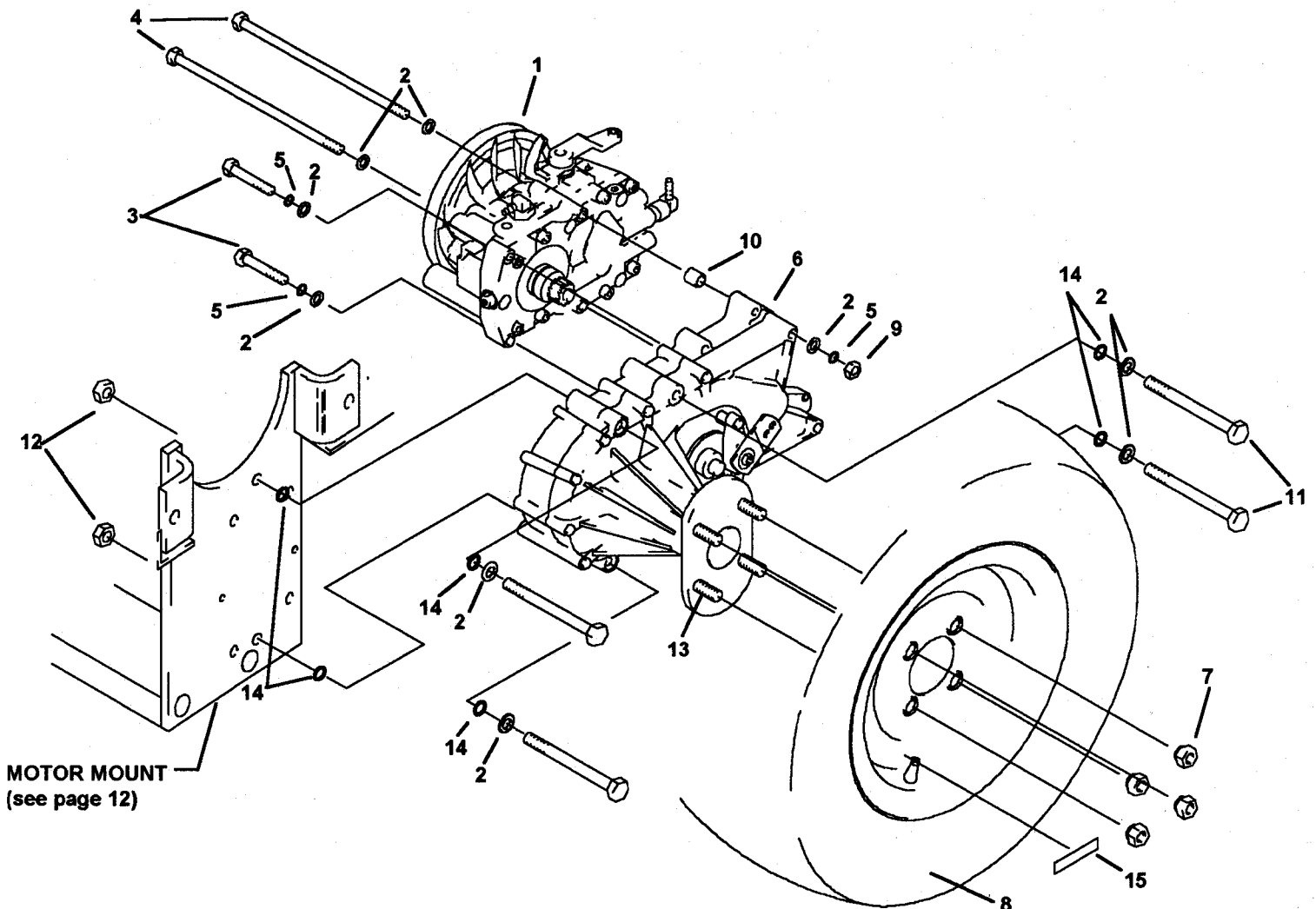
PARKING BRAKE ASSEMBLY

ITEM	PART NO.	DESCRIPTION
1	79692	BRAKE HANDLE
2	79860	GRIP, HANDLE
3	90188	WASHER, FLAT STD. 5/16" (4)
4	79265	BOLT, 1/4-20 X 1" GR. 5
5	79319	ROLL PIN, 3/16 X 7/8" LONG, SPIRAL
6	79291	COTTER, RUE RING 5/16-3/8 PIN (2)
7	62444	HANDLE LINK (2)
8	79728	BRAKE ARM (2)
9	79294	ROLL PIN, 3/16 X 1" LONG SPIRAL (2)
10	79260	NUT, 1/4-20 NYLOCK (2 or 4)
11	79410	WASHER, FLAT STD. 1/4" (2 or 3)
12	79283	CLEVIS PIN, 5/16 X 7/8" LONG (2)
13	79702	BRAKE ROD
14	79315	BOLT, 5/16-18 X 3/4" GR. 5 (4)
15	62482	CABLE ASSEMBLY, BRAKE (2)
16	62311	BRAKE LEVER MOUNT
17	62259	BOLT, 1/4-20 X 3", HEX HEAD
18	62401	NUT, 5/16" X 18 STOVER (6)
19	62476	SPRING, EXT., 7/16" X 2-1/2" (2)
20	79267	LOCKWASHER, 5/16" SPLIT SPRING (2)
21	79573	NUT, 5/16-18 PLAIN (2)
22	62459	BRAKE STOP PLATE ASSEMBLY (2)
23	-----	BOLT, 1/4-20 X 1-1/2" GR. 5 W/PATCH (COMES W/GEARBOX)
24	62245	BRAKE PUCK, REPLACEMENT (4)
25	62542	BRAKE YOKE, MACHINED, ASSEMBLED (2)



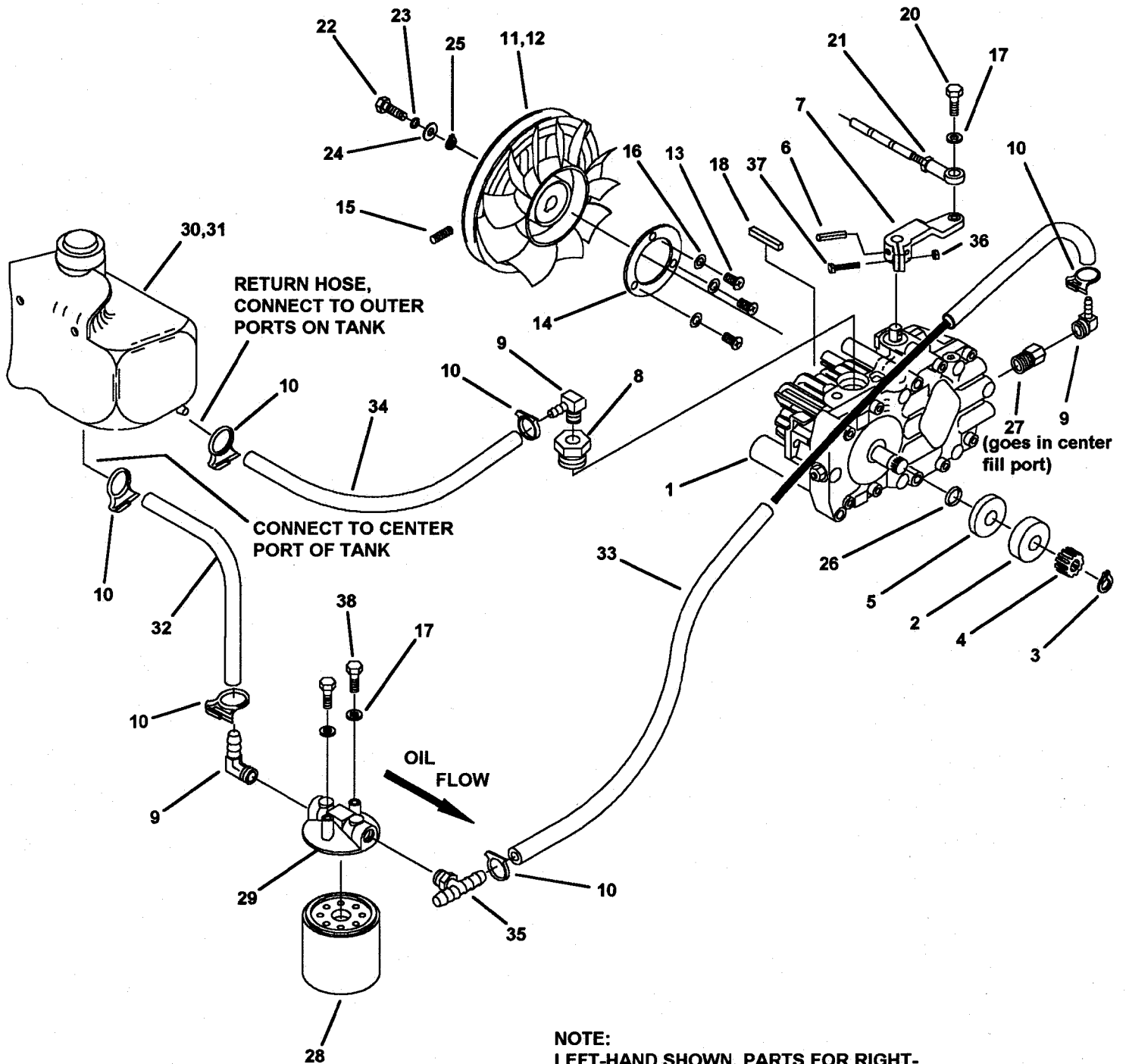
HYDROSTAT/GEARBOX ASSEMBLY

ITEM	PART NO.	DESCRIPTION
1	SEE PG. 10	HYDROSTAT TRANSMISSION ASSEMBLY L.H.
--	SEE PG. 10	HYDROSTAT TRANSMISSION ASSEMBLY R.H.
2	90188	WASHER, FLAT STD. 5/16" (12)
3	79824	BOLT, 5/16-18 X 1-3/4" GR. 5 (4)
4	79838	BOLT, 5/16-18 X 7-1/2" GR. 5 (4)
5	79267	LOCKWASHER, 5/16" SPLIT SPRING (8)
6	79815	GEAR BOX, L.H.
--	79814	GEAR BOX, R.H.
7	79293	NUT, LUG 60 DEGREE, 1/2-20 (8)
8	62278	TIRE, 20-10.00-10, 4 PLY W/RIM, DICO BRAND (2)
9	79573	NUT, 5/16-18 PLAIN (4)
10	79642	BUSHING (4)
11	79832	BOLT, 3/8-16 X 4" GR.5 (8)
12	79273	NUT, 3/8-16 NYLOC (8)
13	62302	LUG BOLT (8)
14	62496	O-RING, GEARBOX (12)
15	62485	DECAL "TIRE PRESSURE" (2)
16	79315	BOLT, 5/16-18 X 3/4" GR.5 (2)



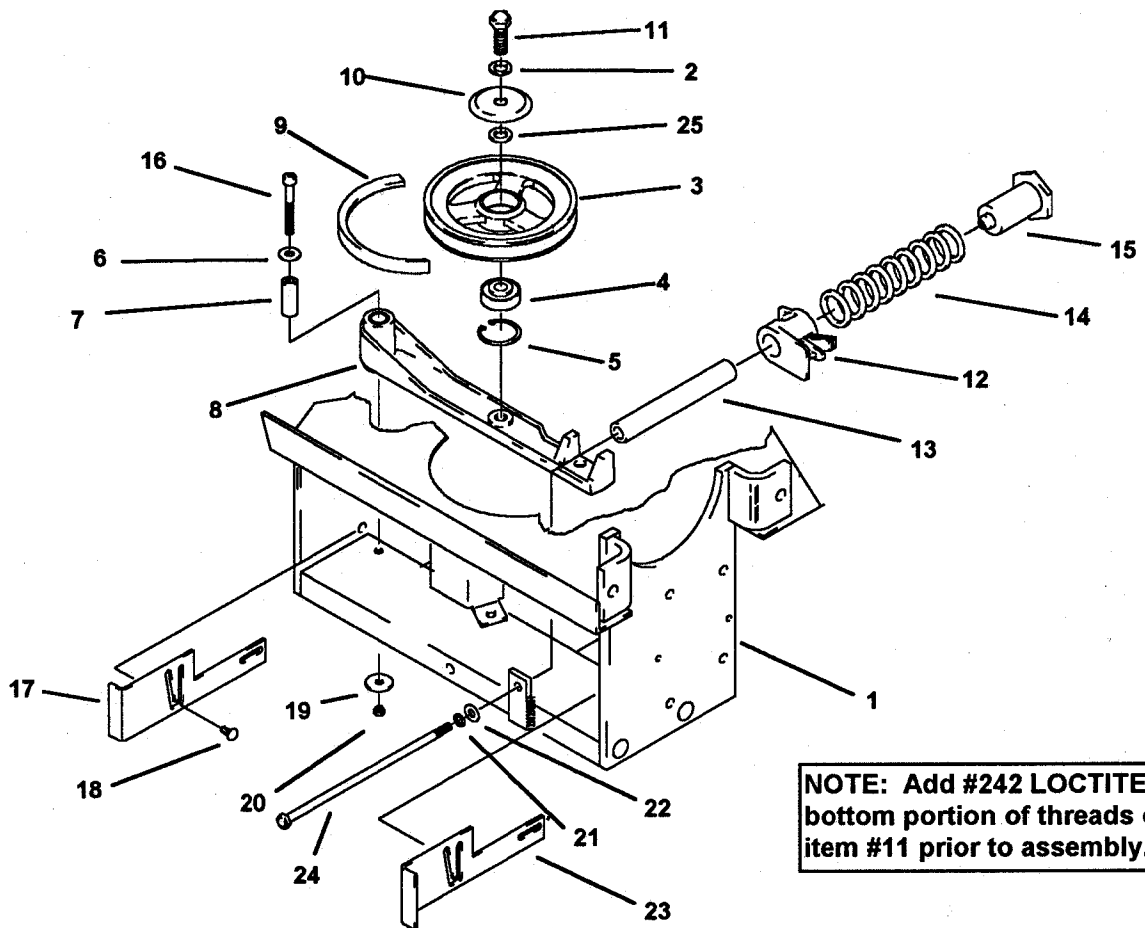
HYDROSTAT ASSEMBLY

<u>ITEM</u>	<u>PART NO.</u>	<u>DESCRIPTION</u>
1	62530	HYDROSTAT TRANSMISSION, L.H.,BD
-	62529	HYDROSTAT TRANSMISSION, R.H., BD
2	79638	BEARING, BALL (2)
3	79640	SNAP RING, EXT. (2)
4	79639	GEAR, 11 TOOTH (2)
5	79641	SPACER, BEARING (2)
6	79837	ROLL PIN, 5MM X 26MM (2)
7	79729	SHIFT ARM (2)
8	79802	ADAPTER, 7/8-14M TO 1/4-18F (2)
9	79794	HOSE BARB, 90D ELBOW, 1/4NPTM X 3/8" (2 OR 5)
10	79861	HOSE CLAMP, 19/32-21/32, NYLON (4 OR 10)
11	79804	PULLEY/FAN ASSEMBLY (comes with items 12, 24 & 25) (2)
12	79796	FAN, 7" PLASTIC; 10 BLADE CCW
13	62163	BOLT, 1/4-20 X 1/2", GR.5 (3)
14	79714	WASHER, 3" O.D.
15	79302	SETSCREW, SKHD 1/4-20 X 3/4" W/NYLOC (2)
16	90052	LOCKWASHER, 1/4" SPLIT SPRING (3)
17	90052	LOCKWASHER, 1/4" SPLIT SPRING (8)
18	79791	KEY, 5 MM SQ. X 25 MM (2)
19	79513	BALL JOINT, FEMALE 1/4-28 (2)
20	90073	BOLT, 1/4-20 X 3/4" GR. 5 (2)
21	90095	NUT, 1/4-28 (COMES WITH PUSH-PULL CABLE) (2)
22	79842	BOLT, 6 MM X 16 MM (2)
23	79843	LOCKWASHER, 6MM (2)
24	62272	WASHER (2)
25	62273	SNAP-RING INT. 15 MM (2)
26	62467	O-RING SEAL (2)
27	62280	ADAPTER, 7/16" SAE TO 1/4 NPT (2)
28	62294	OIL FILTER
29	62477	FILTER BASE
30	62295	TANK, 1.5 QT, CHARGE PUMP STYLE (comes with cap, item 31)
31	62247	CAP, Oil Tank
32	62287	HOSE, 6-3/4"
33	62284	HOSE, 46", L.H.
-	62282	HOSE, 24", R.H.
34	62283	HOSE, 18" (2)
35	62292	TEE FITTING, 3/8 x 3/8 x 3/8 NPT
36	79260	NUT, 1/4-20, NYLOC
37	79265	BOLT, 1/4-20 X 1", GR.5
38	79405	BOLT, 1/4-20 X 5/8", GR.5 (2)



MOTOR MOUNT ASSEMBLY

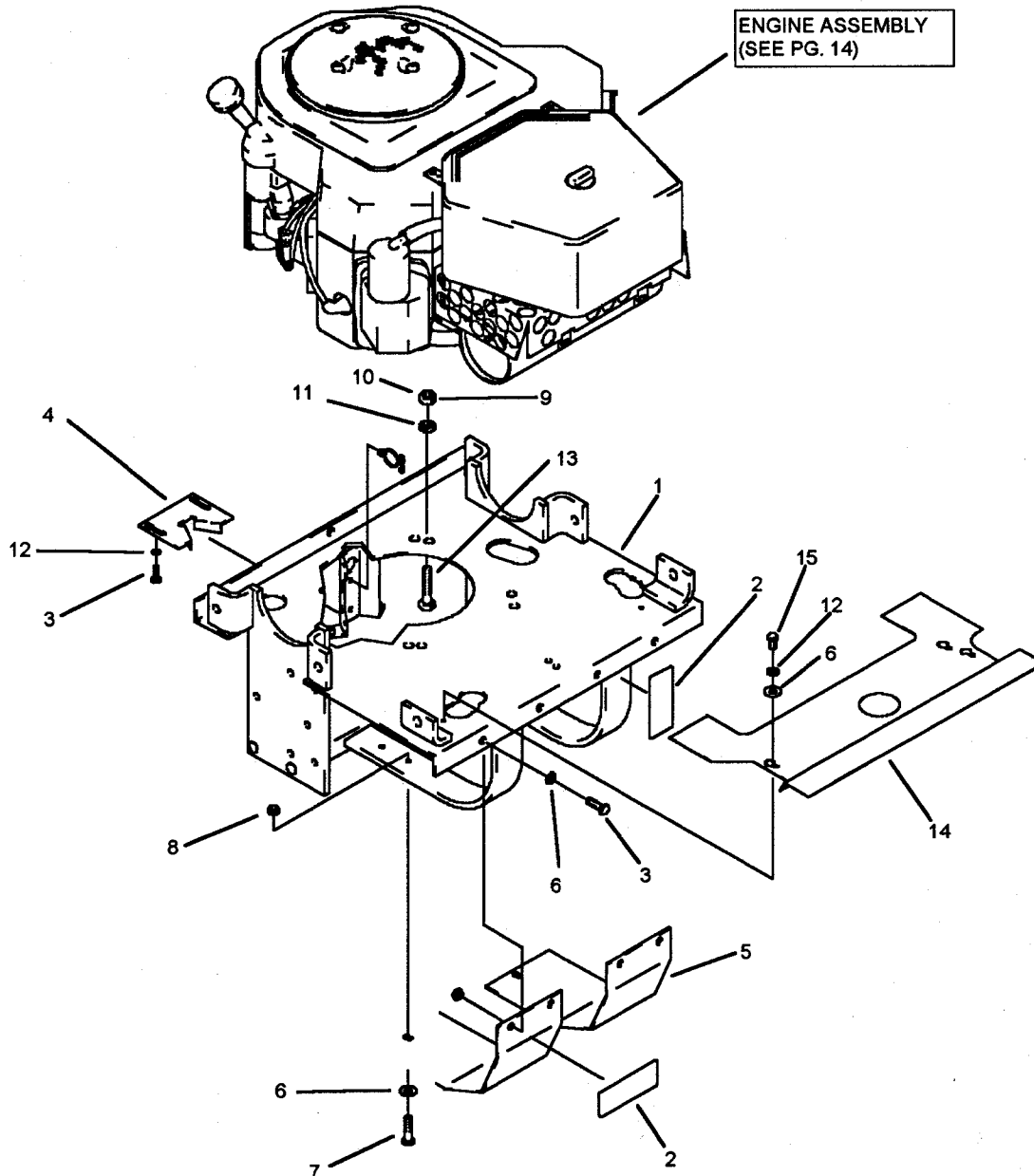
ITEM	PART NO.	DESCRIPTION
1	62506	MOTOR MOUNT WELDMENT
2	90254	1/2" LOCKWASHER SPLIT SPRING
3	62454	IDLER PULLEY ASSEMBLY
4	62466	BEARING, WIDE INTER-RACE
5	62036	SNAP RING, INTERNAL 40mm BORE
6	90188	WASHER, FLAT, STD. 5/16"
7	62538	MOUNTING PIN
8	62539	IDLER ARM
9	62465	BELT, A-80 KEVLAR, MAIN DRIVE BELT
10	62286	WASHER, BEARING CAP
11	62549	CAPSCREW 1/2"-13 X 1 3/8" SPECIAL HEAD
12	62533	TAIL STOP
13	62540	CLAMP SHAFT
14	62534	SPRING, COMPRESSION 1.359 O.D
15	62541	TAKE UP END
16	62397	CAPSCREW, SOCKET HEAD 5/16"-18 X 2 1/4 LONG
17	79726	FREEWHEEL BAR R.H.
18	79840	DRIVE STUD, 1/4" X 1/2" LONG (4)
19	62400	WASHER, SPACER REINFORCEMENT
20	62401	NUT, HX, 5/16-18 UNC STOVER
21	79268	LOCK WASHER, 3/8" HEAVY SPRING
22	90600	WASHER, FLAT STD 3/8"
23	62464	FREEWHEEL BAR, L.H.
24	62532	CAPSCREW, 3/8"-16 X 9 3/4 LONG
25	79306	1/2" NARROW SERIES FLATWASHER



NOTE: Add #242 LOCTITE to bottom portion of threads on item #11 prior to assembly.

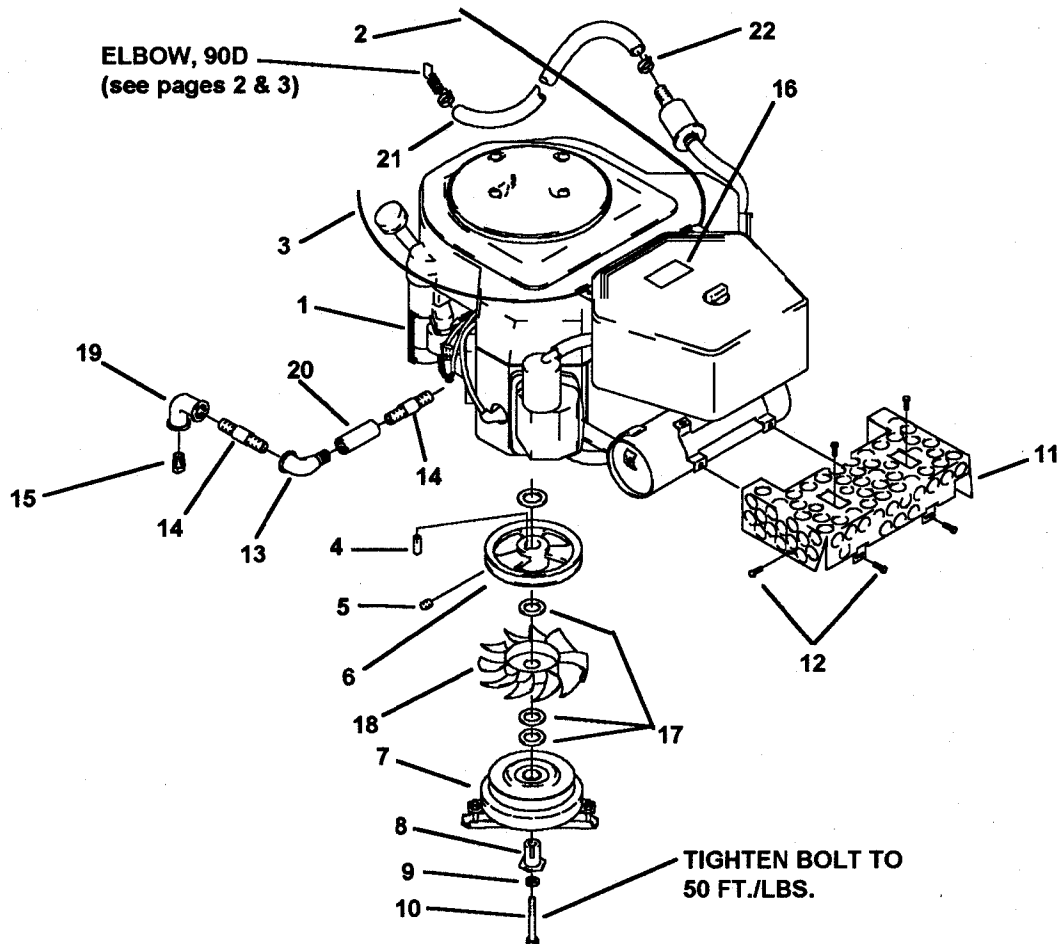
MOTOR MOUNT ASSEMBLY

<u>ITEM</u>	<u>PART NO.</u>	<u>DESCRIPTION</u>
1	62506	MOTOR MOUNT WELDMENT
2	79871	DECAL, FAN SHIELD (2)
3	90073	CAPSCREW, 1/4-20 X 3/4" GR. 5 (6)
4	62450	CLUTCH STOP PLATE
5	79805	FAN SHIELD (2)
6	79410	WASHER, FLAT, STD. 1/4 (10)
7	77761	CAPSCREW, 1/4-20 X 1" GR. 5 (2)
8	76978	NUT, HEX, HD. 1/4-20, NYLOC (6)
9	79573	NUT, 5/16-18 UNC, GR 5 PLATED (4)
10	79267	LOCKWASHER, 5/16", SPLIT SPRING (5)
11	79864	BLINDHOLE KURLY, LOC (2)
12	90052	LOCKWASHER, SPLIT SPRING 1/4", (4)
13	62422	BOLT, 5/16"-18 X 1 1/2 GR 5 (4)
14	62507	HEAT SHIELD REAR, COMMAND ENGINE
15	62249	SCREW, 1/4" X 3/8" SELF THRD FORM



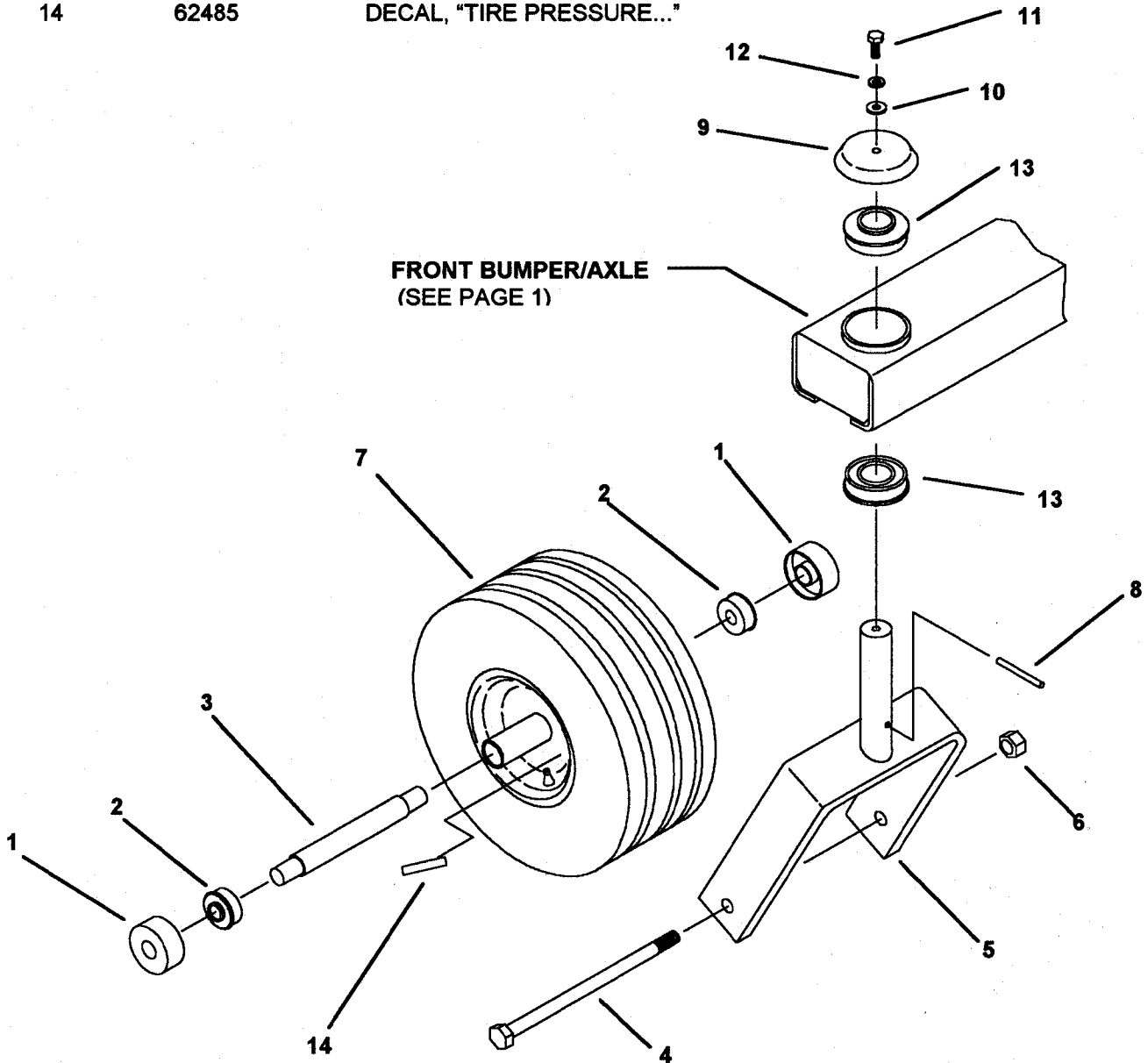
18 & 22 HP ENGINE ASSEMBLY

ITEM	PART NO.	DESCRIPTION
1	N/A	18 HP KOHLER COMMAND OHV, VERTICAL SHAFT ENGINE
--	N/A	22 HP KOHLER COMMAND OHV, VERTICAL SHAFT ENGINE
2	62535	CABLE, THROTTLE 18 & 22 HP
3	79801	CABLE, CHOKE 18 & 22 HP
4	79000	KEY, SQUARE, 1/4" X 1"
5	79823	SETSCREW, SOCKET HD., 5/16-18 X 3/8"
6	79736	MOTOR DRIVE PULLEY, 1" BORE
7	79446	CLUTCH, ELECTRIC, 1" BORE
8	62460	BUSHING, CLUTCH
9	90247	LOCKWASHER, 7/16" SPLIT SPRING
10	62263	CAPSCREW, 7/16-20 X 3-1/4" GR. 5
11	62508	MUFFLER GUARD, COMMAND ENGINE
12	79424	SCREW, SHEET METAL, #8 X 1/2" (6)
13	79852	ELBOW, STREET, 3/8", 90DEG. SCH 40
14	62537	NIPPLE, 3/8 X 1 1/2 SCH. 40 BLACK
15	79367	PLUG, PIPE 3/8"
16	79237	DECAL, "PERIODICALLY CLEAN"
17	62242	WASHER, SHIM (3)
18	62236	FAN, 7" DIA. 10 BLADE CW
19	79210	ELBOW, 3/8", 90 DEG. SCH 40 CAST IRON
20	62536	PIPE COUPLER, 3/8"
21	62429	FUEL LINE, 19" LONG
22	62475	CLAMP, HOSE SPRING TYPE 1/2" O.D. (2)



CASTER WHEEL ASSEMBLY

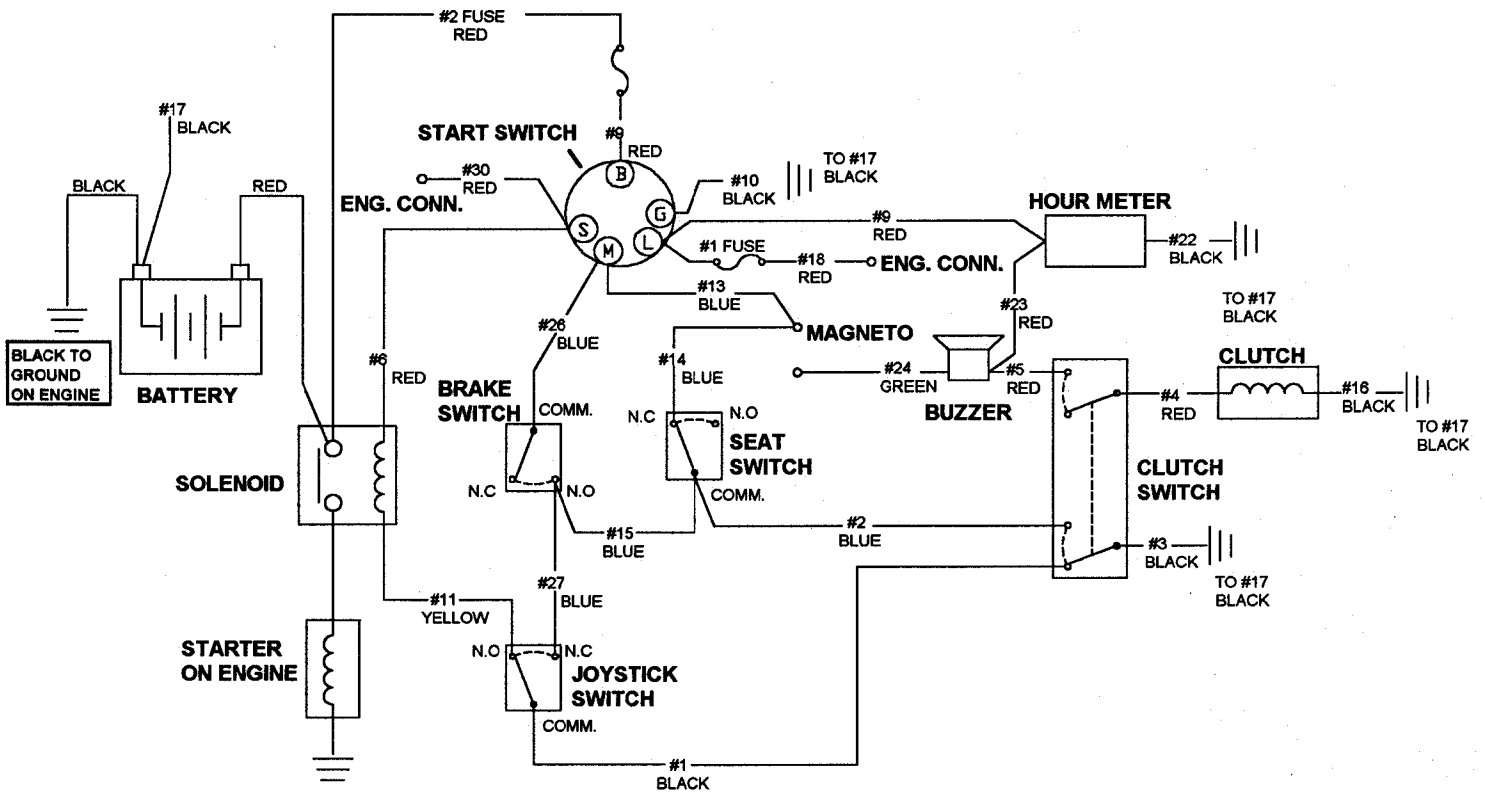
<u>ITEM</u>	<u>PART NO.</u>	<u>DESCRIPTION</u>
1	79357	SHIELD, BEARING (4)
2	79339	BEARING, 5/8 I.D. X 1-3/8 O.D. (4)
3	79358	SPACER, BEARING (2)
4	79363	BOLT, 1/2-13 X 8" GR.5 (2)
5	79684	CASTER WELDMENT (2)
6	79262	NUT, 1/2-13, STOVER (2)
7	62315	TIRE, 13X5-6, ON WHEEL, (RIBBED TREAD) (2)
--	79171	TIRE, 13X5-6, ON WHEEL, (STUDDED THREAD) (2)
8	79285	PIN, SPIRAL, 3/16 X 2 HEAVY DUTY (2)
9	79352	CAP, BEARING (2)
10	79410	WASHER, FLAT STD. 1/4" (2)
11	62472	BOLT, 1/4-20 X 3/4" GR.5 W/NYLON PATCH (2)
12	90052	LOCK WASHER, 1/4" HEAVY SPRING (2)
13	79331	BEARING, SPD SF-16-32 W/O COLLAR (4)
14	62485	DECAL, "TIRE PRESSURE..."



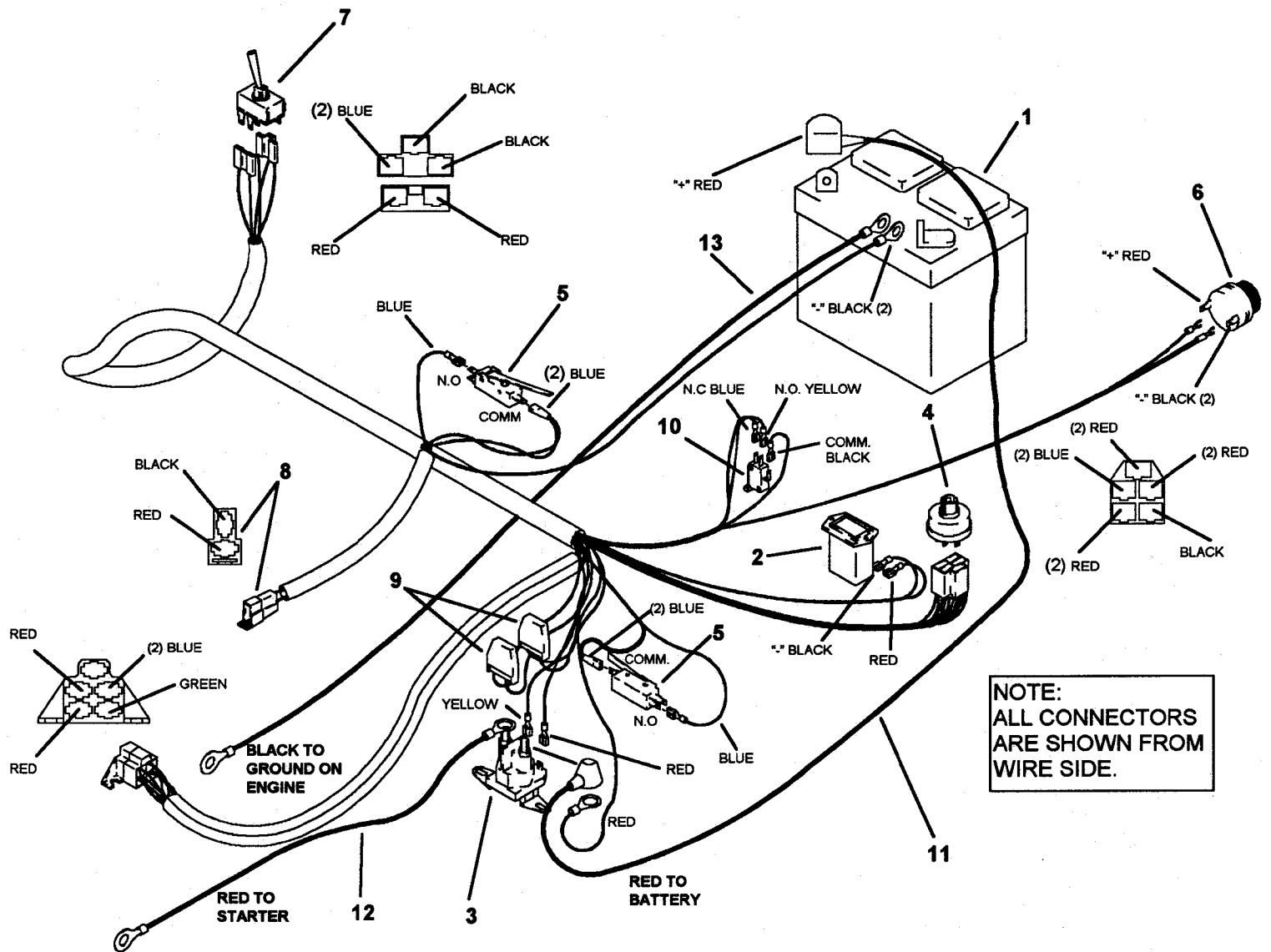
WIRE HARNESS

ITEM	PART NO.	DESCRIPTION
1	79482	BATTERY
2	79203	HOUR METER, 18, & 22 HP
3	79793	SOLENOID
4	79201	START SWITCH
5	79194	SWITCH, ENCL, SPDT 15A HINGED LEVER
6	79208	BUZZER, 18, & 22 HP
7	79342	CLUTCH SWITCH
8	79204	INSULATOR COVER (female end only)
9	62468	FUSEHOLDER (INLINE) SPADE SYLE (2)
--	62469	FUSE, 30 AMP SPADE STYLE (2)
10	79530	SWITCH, SPDT MINIATURE
11	79705	CABLE, BATTERY, 31.75" W/ BOOTS
12	79706	CABLE, STARTER, 31.75" WO/BOOTS
13	62547	WIRE HARNESS, MAIN: NO STRIP 18 & 22 HP

SCHEMATIC



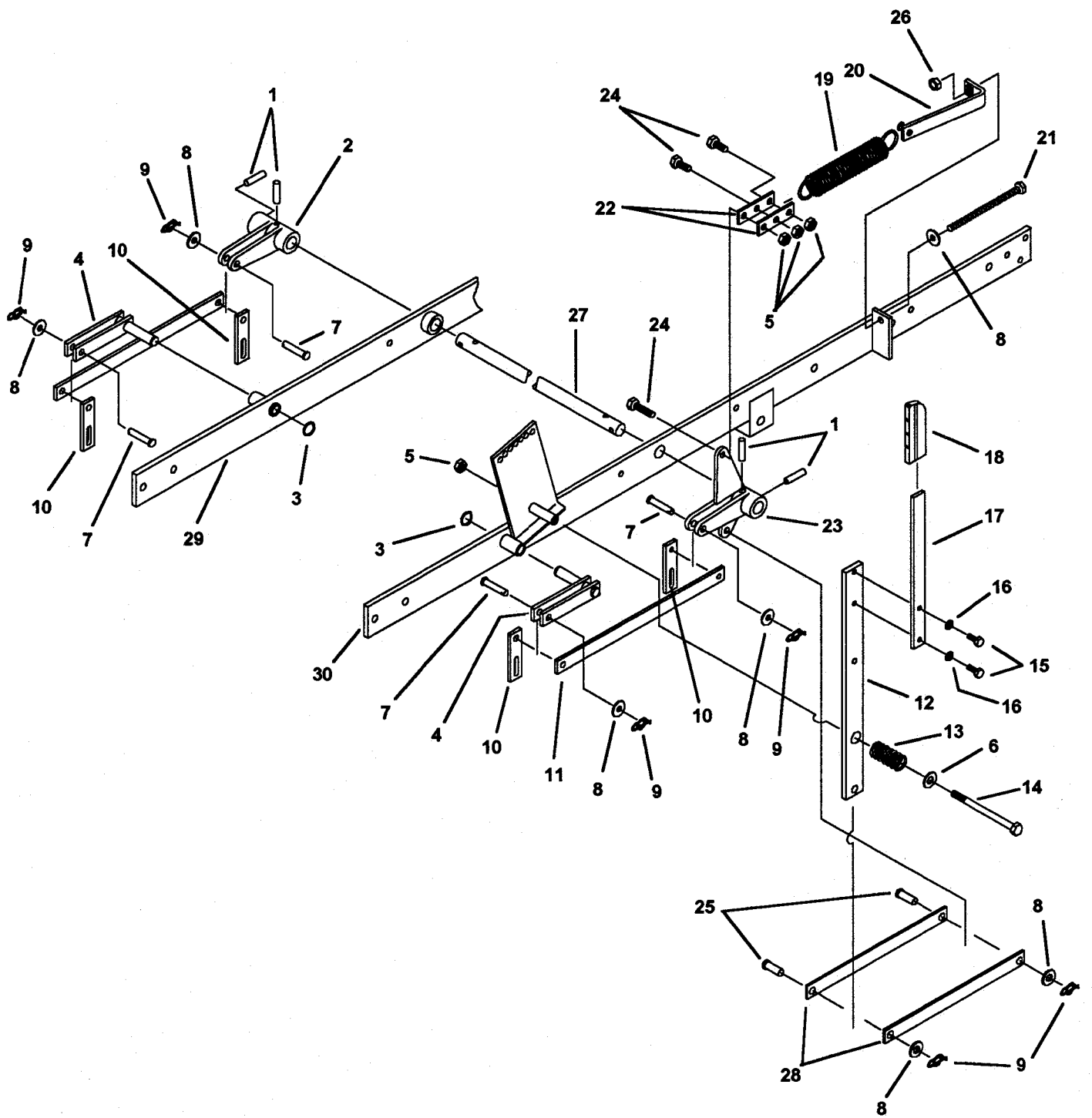
ILLUSTRATED DIAGRAM



NOTE:
ALL CONNECTORS
ARE SHOWN FROM
WIRE SIDE.

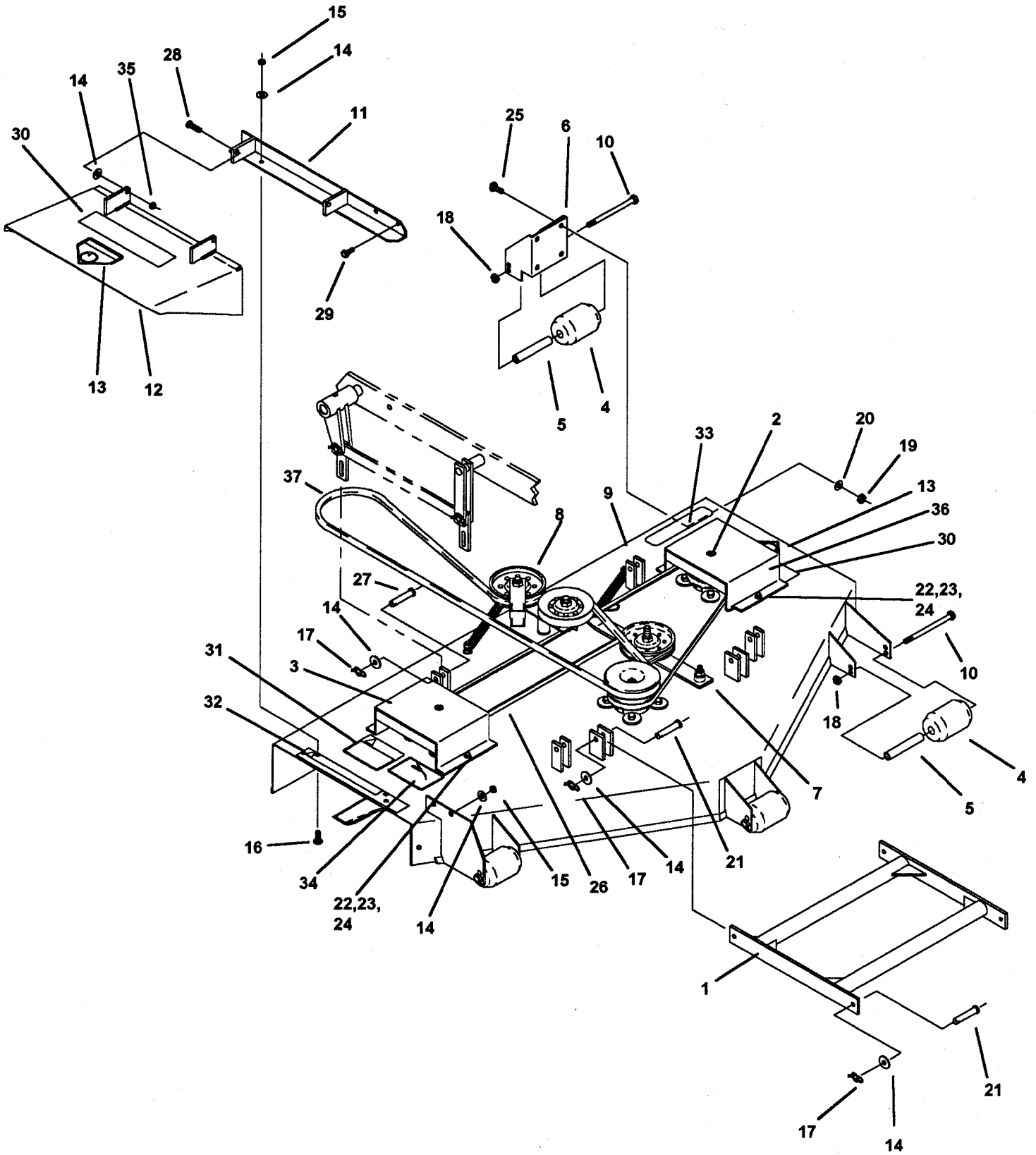
DECK LIFT PARTS

<u>ITEM</u>	<u>PART NO.</u>	<u>DESCRIPTION</u>
1	79827	ROLL PIN, 5/16 X 1-1/4 HBK (4)
2	79659	LIFT SLEEVE WELDMENT, R.H.
3	79844	SPIROLOX RETAINING RING (2)
4	79894	DECK HANGER WELDMENT (2)
5	79273	NUT, 3/8-16, NYLOC (4)
6	90600	WASHER, FLAT STD. 3/8" (2)
7	79831	CLEVIS PIN, 5/16 X 1-1/2" LONG (4)
8	90188	WASHER, FLAT STD. 5/16" (7)
9	79291	COTTER RUE RING, 5/16-3/8 (6)
10	79131	DECK HANGER BAR (4)
11	79893	BAR, CONNECTING (2)
12	79741	LOWER HANDLE WELDMENT
13	79799	SPRING, COMPRESSION, .975 O.D.
14	79504	BOLT, 3/8-16 X 3" GR. 5
15	90073	BOLT, 1/4-20 X 3/4" GR. 5 (2)
16	90052	LOCKWASHER, 1/4" SPLIT SPRING (2)
17	79740	TOP DECK HANDLE
18	79860	GRIP, HANDLE
19	79628	SPRING, EXT., 1.65 O.D. X 9"
20	62448	SPRING TIGHTENER WLDT.
21	79833	BOLT, 3/8-16 X 5" FULL THREAD
22	79981	SPRING EXTENSION (2)
23	79658	LIFT SLEEVE WELDMENT, L.H.
24	90587	BOLT, 3/8-16 X 1-1/4" GR. 5 (3)
25	79834	CLEVIS PIN, 3/8 X 1" (2)
26	79573	NUT, HEX. 3/8-16 UNC-2B
27	79695	LIFT BAR
28	79697	HANDLE LINK (2)
29	62445	FRAME SIDE WELDMENT, R.H.
30	62446	FRAME SIDE WELDMENT, L.H.



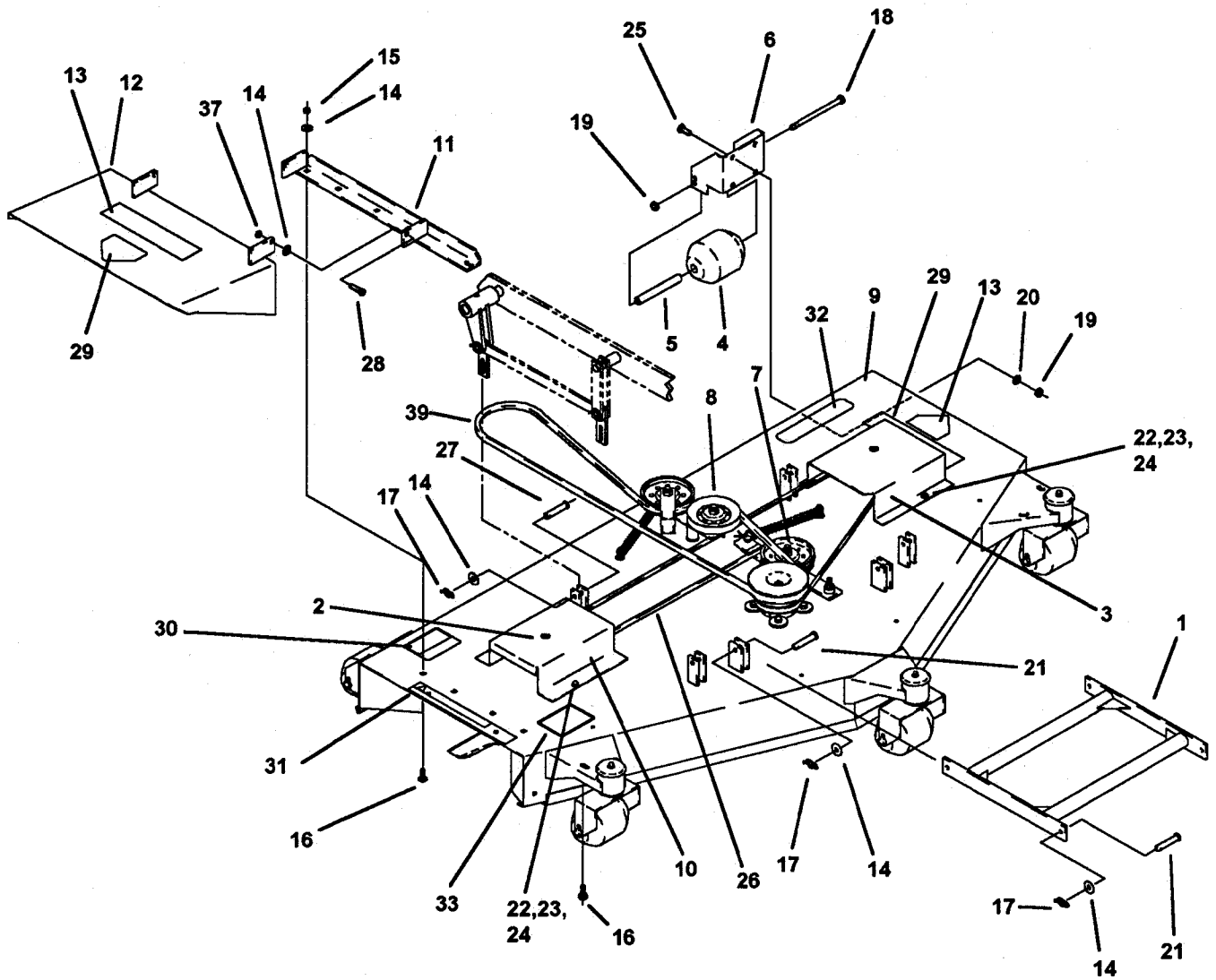
48" DECK ASSEMBLY

<u>ITEM</u>	<u>PART NO.</u>	<u>DESCRIPTION</u>
1	79655	DRAG BAR WELDMENT
2	79885	SPINDLE ASSEMBLY (3) (see pages 24, 25 for breakdown)
3	62513	PULLEY COVER, R.H. 48" DECK
4	79226	ROLLER, LOW DEN. POLYETHYLENE (5)
5	79023	ROLLER SPACER BUSHING (5)
6	79024	BRACKET, REAR ANTI-SCALPER (2)
7	-----	SINGLE IDLER PARTS (see page 27 for breakdown)
8	-----	DOUBLE IDLER ASSEMBLY (see page 26 for breakdown)
9	62430	48" DECK WELDMENT, GEARDRIVE
10	90591	BOLT, 3/8-16 X 4-1/2" GR. 5 (5)
11	62434	OUTLET STIFFENER WELDMENT, 48" DECK
12	62435	CHUTE WELDMENT (w/decal)
13	79234	DECAL, "BLOODY STUMP"
14	90188	WASHER, FLAT STD. 5/16" (16)
15	90717	NUT, 5/16-18 NYLOC (6)
16	79438	BOLT, 5/16-18 X 3/4" CARRIAGE (2)
17	79291	COTTER RUE RING, 5/16 - 3/8 PIN (8)
18	90499	NUT, 3/8-16 TOPLOCK .218 THK. (5)
19	79273	NUT, 3/8-16 NYLOC (8)
20	90600	WASHER, FLAT STD. 3/8" (8)
21	79284	CLEVIS PIN, 5/16 X 1-1/4" LONG (4)
22	90073	BOLT, 1/4-20 X 3/4" GR. 5 (4)
23	90052	LOCKWASHER, 1/4" SPLIT SPRING (4)
24	79410	WASHER, FLAT STD. 1/4" (4)
25	90603	BOLT, 3/8-16 X 7/8" GR. 5 (8)
26	79777	DECK CROSS BELT, AP-100
27	79831	CLEVIS PIN, 5/16 X 1-1/2" LONG (4)
28	90636	BOLT, 5/16-18 X 1" GR. 5. (2)
29	79315	BOLT, 5/16-18 X 3/4" GR. 5 (2)
30	62517	DECAL, "MULTI-PERIL"
31	79240	DECAL, "WARNING- ROTATING BLADES"
32	79242	DECAL, "MISSING CHUTE"
33	62526	DECAL. "MODEL #Z4804M"
34	62199	DECAL, "GREASE SPINDLES"
35	62401	NUT, 5/16-18 STOVER (2)
36	62512	PULLEY COVER L.H., 48" DECK
37	79781	ENGINE TO DECK BELT, BP-82

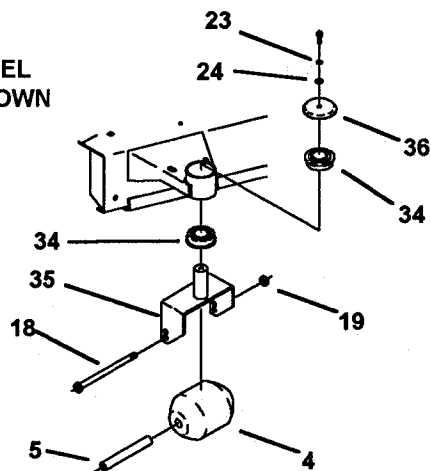


60" DECK ASSEMBLY

<u>ITEM</u>	<u>PART NO.</u>	<u>DESCRIPTION</u>
1	79655	DRAG BAR WELDMENT
2	79885	SPINDLE ASSEMBLY (3) (see pages 24, 25 for breakdown)
3	62511	PULLEY COVER, L.H. 60" DECK
4	79868	ROLLER, 3-3/4 X 4-13/16" LONG (6)
5	79882	BUSHING (6)
6	79881	BRACKET, REAR CENTER
7	-----	SINGLE IDLER PARTS (see page 27 for breakdown)
8	-----	DOUBLE IDLER ASSEMBLY (see page 26 for breakdown)
9	62431	60" DECK WELDMENT, GEARDRIVE
10	62510	PULLEY COVER, R.H. 60" DECK
11	62434	OUTLET STIFFENER WELDMENT, 60" DECK
12	62436	CHUTE WELDMENT (w/decal)
13	79234	DECAL, "BLOODY STUMP"
14	90188	WASHER, FLAT STD. 5/16" (19)
15	90717	NUT, 5/16-18 NYLOC (7)
16	79438	BOLT, 5/16-18 X 3/4" CARRIAGE (5)
17	79291	COTTER RUE RING, 5/16 - 3/8 PIN (8)
18	79845	BOLT, 3/8-16 X 6" GR. 5 (6)
19	79273	NUT, 3/8-16 NYLOC (13)
20	90600	WASHER, FLAT STD. 3/8" (3)
21	79284	CLEVIS PIN, 5/16 X 1-1/4" LONG (4)
22	90073	BOLT, 1/4-20 X 3/4" GR. 5 (4)
23	90052	LOCKWASHER, 1/4" SPLIT SPRING (7)
24	79410	WASHER, FLAT STD. 1/4" (7)
25	90603	BOLT, 3/8-16 X 7/8" GR. 5 (12)
26	79186	DECK CROSS BELT, A-112
27	79831	CLEVIS PIN, 5/16 X 1-1/2" LONG (4)
28	90636	BOLT, 5/16-18 X 1" GR. 5. (2)
29	62517	DECAL, "MULTI-PERIL
30	79240	DECAL, "WARNING- ROTATING BLADES"
31	79242	DECAL, "MISSING CHUTE"
32	62527	DECAL, "MODEL #Z6004M"
33	62199	DECAL, "GREASE SPINDLES"
34	79331	BEARING, SPD SF-16-32 NO/COLLAR (2)
35	79883	SWIVEL YOKE WELDMENT
36	79352	CAP, BEARING
37	62401	NUT, 5/16-18 STOVER (2)
38	62472	BOLT, 1/4-20 X 3/4" GR. 5 W/NYLON PATCH (3)
39	79781	ENGINE TO DECK BELT, BP-81



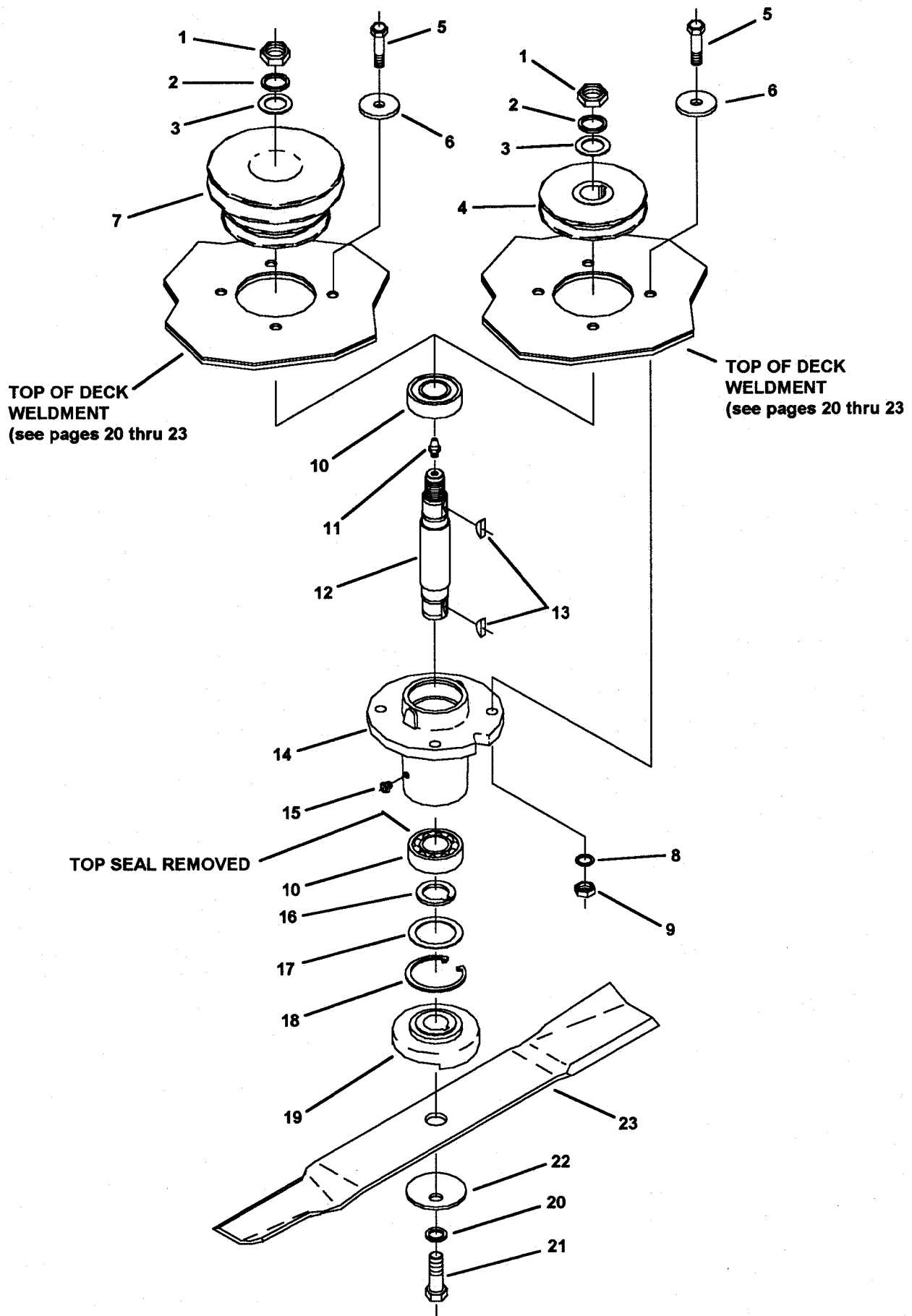
**FRONT CASTER WHEEL
ASSEMBLY BREAKDOWN**



DECK SPINDLE ASSEMBLY

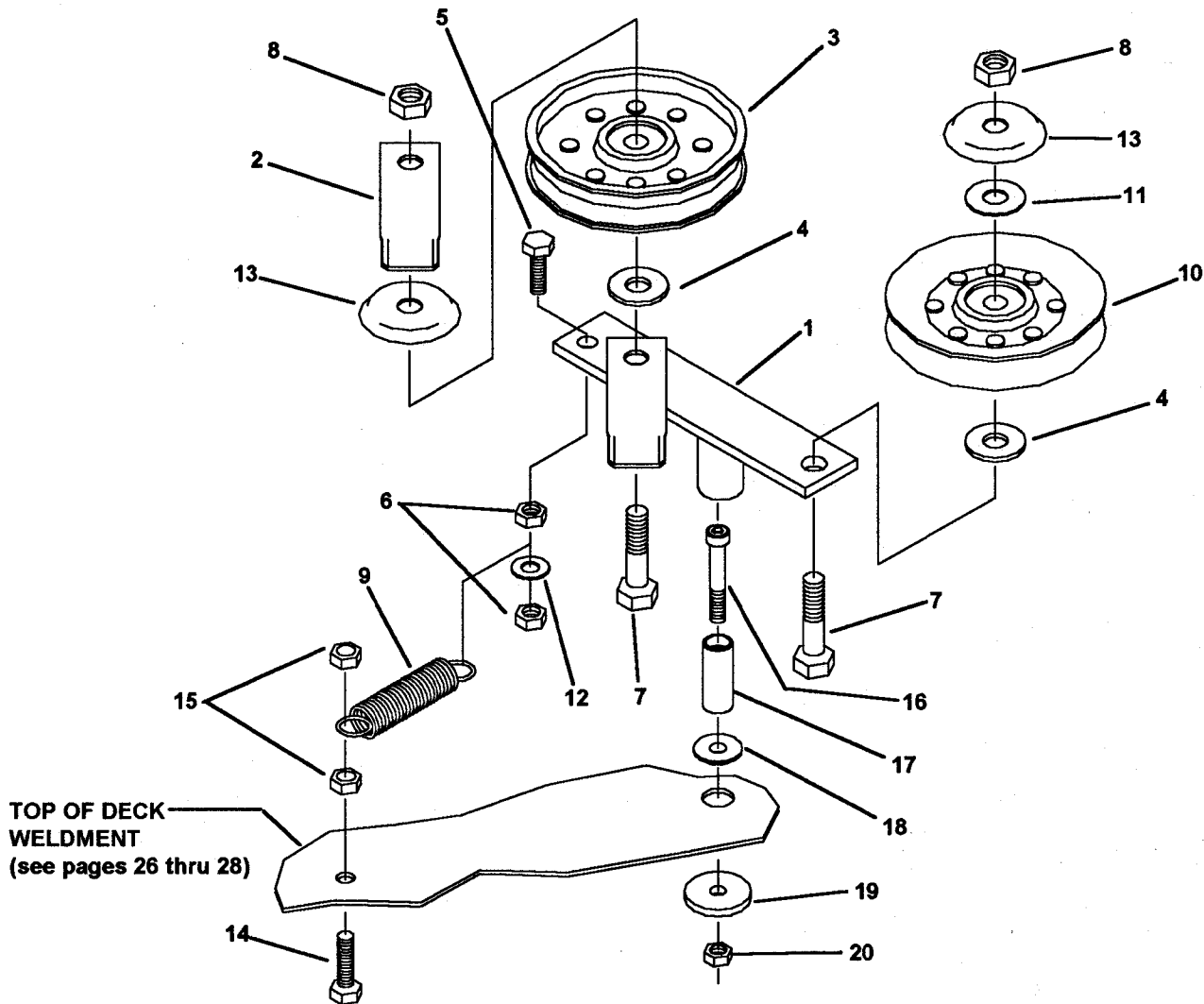
<u>ITEM</u>	<u>PART NO.</u>	<u>DESCRIPTION</u>
1	79286	NUT, HEX JAM, 3/4-16 UNF
2	79287	LOCKWASHER, 3/4" STD. SPLIT SPRING
3	79299	WASHER, 3/4" FLAT TYPE B NARROW
4	79818	PULLEY, 1 GROOVE 4" O.D.
5	79326	BOLT, 3/8-24 X 1-1/2" GR. 5 (4)
6	79039	SPINDLE SPACER REINFORCEMENT (4)
7	-----	PULLEY, 2 GROOVE,
--	79820	4-1/2" O.D., 48" DECK
--	79821	5-3/8" O.D., 60" DECK
8	79268	LOCKWASHER, 3/8" HEAVY SPRING TYPE (4)
9	79327	LOCKNUT, HEX. 3/8" HEAVY SPRING TYPE (4)
--	79885	DECK SPINDLE ASSEMBLY (3)
10	79813	BEARING, #6205-2RS (2)
11	79384	GREASE FITTING, 1/4-28 SELF TAP
12	79879	SPINDLE SHAFT
13	79159	WOODRUFF KEY, UASS #806, 1/4 X 3/4" (2)
14	62432	SPINDLE HOUSING
15	62479	GREASE VENT
16	79044	ARBOR SPACER
17	79876	WASHER SEAL
18	79855	SNAP RING, INTERNAL, 52 MM BORE
19	79877	BLADE SPACER
20	90254	LOCKWASHER, 1/2" STD. SPLIT SPRING
21	79308	BOLT, 1/2-13 X 1-1/2" GR. 5
22	79296	WASHER, 1/2" CUPPED
23	79369	BLADE, LOW LIFT, 17" CUT, 48" DECK
--	79222	LOW LIFT, 21" CUT, 60" DECK

NOTE: OPTIONAL BLADES ARE AVAILABLE AS FOLLOWS:
 79388 BLADE, HIGH LIFT, 17" CUT, 48" DECK
 79371 BLADE, HIGH LIFT, 21" CUT, 60" DECK



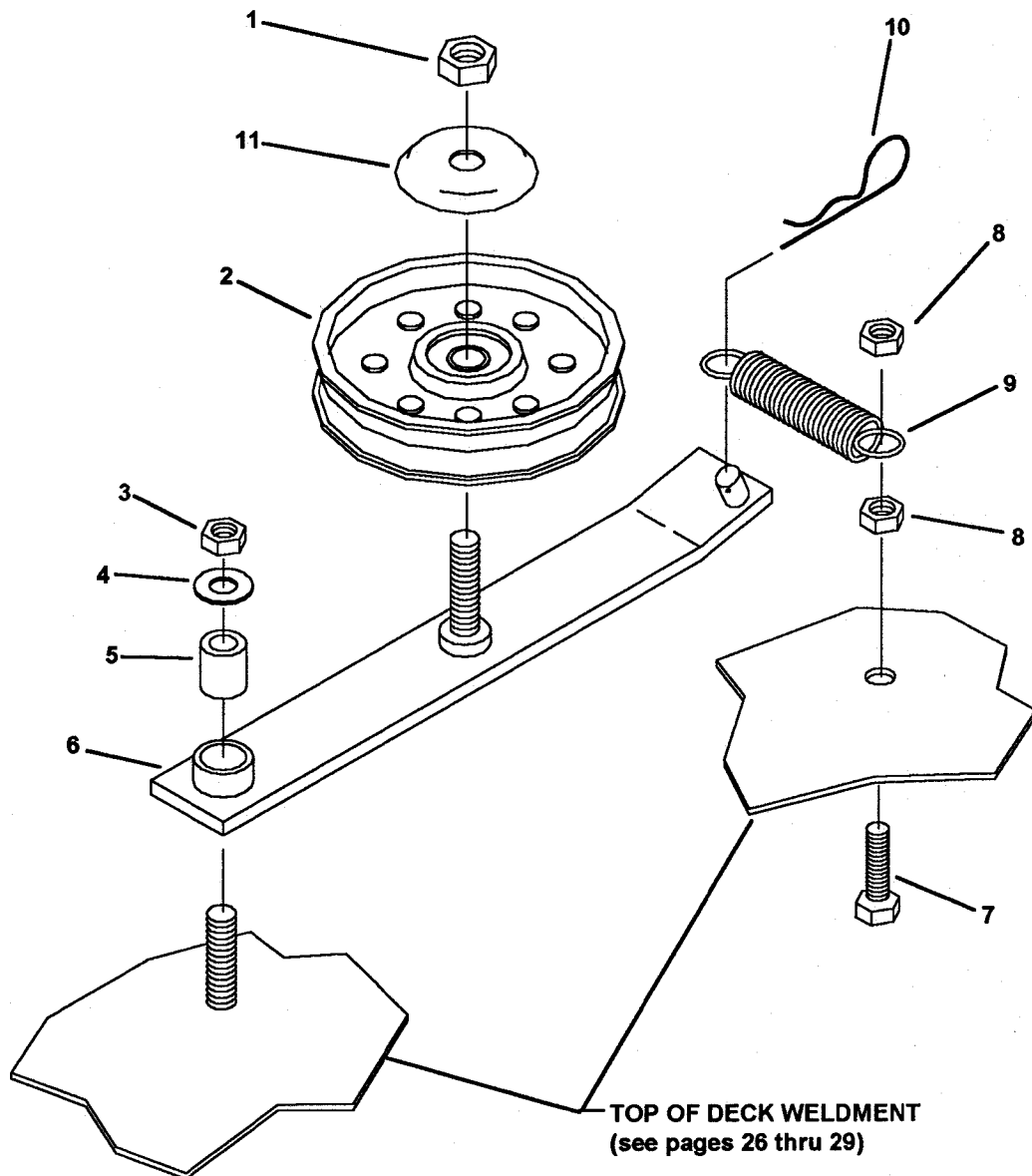
DOUBLE IDLER ASSEMBLY

ITEM	PART NO.	DESCRIPTION
--	62239	DOUBLE IDLER ASSEMBLY
1	62238	DOUBLE IDLER WELDMENT (w/bushing)
2	79032	PLATE, BELT STOP
3	79167	PULLEY, FLAT IDLER 1/2 BORE, 4" O.D,
4	79264	WASHER, FLAT STD. 1/2" (2)
5	79422	BOLT, 3/8-24 X 1-1/4" GR. 5
6	79327	NUT, 3/8-24, M-F LOCKNUT (2)
7	79276	BOLT, 1/2-13 X 2", GR.5 (2)
8	79262	NUT, 1/2-13, STOVER (2)
9	79217	SPRING, EXTENSION, 3/4 X 4" O.A.L.
10	79166	PULLEY, V-IDLER, 1/2 BORE, 4-3/8 O.D.
11	79306	WASHER, 1/2" TYPE B NARROW
12	90600	WASHER, FLAT STD. 3/8"
13	62286	WASHER, BEARING CAP (2)
14	79422	BOLT, 3/8-24 X 1-1/4" GR.5
15	79327	NUT, 3/8-24, M-F LOCKNUT (2)
16	62397	BOLT, 5/16-18 X 2-1/4" SOC. HD. GR. 8
17	62398	IDLER MOUNTING PIN
18	62399	BUSHING, IDLER PIN MTG.
19	62400	WASHER
20	62401	NUT, 5/16-18, STOVER



SINGLE IDLER ASSEMBLY

<u>ITEM</u>	<u>PART NO.</u>	<u>DESCRIPTION</u>
1	79277	NUT, HEX. 1/2-13 NYLOC
2	79167	PULLEY, FLAT IDLER, 1/2 BORE, 4" O.D.
3	79273	NUT, HEX. 3/8-16 NYLOC
4	90600	WASHER, FLAT STD. 3/8" W SERIES
5	79174	BEARING OILITE, 3/8 I.D. X 5/8" O.D.
6	79015	SINGLE IDLER ARM WELDMENT, 60" DECK
--	79880	SINGLE IDLER ARM WELDMENT, 42" & 48" DECK
7	79422	BOLT, 3/8-24 X 1-1/4" GR. 5
8	79327	NUT, 3/8-24, M-F LOCKNUT (2)
9	79217	SPRING, EXTENSION, 3/4 X 4" O.A.L.
10	79289	PIN, HAIR SPRING, 1/8 X 2-1/2"
11	62286	WASHER, BEARING CAP



Parts Manual For

SNAPPER®

ZERO TURN RADIUS MOWERS

TRACTOR MODELS

Z1805KV, & Z2205KV,

DECK MODELS

Z4804M & Z6004M

IT IS THE POLICY OF SNAPPER TO IMPROVE IT'S PRODUCTS WHENEVER IT IS POSSIBLE AND PRACTICAL TO DO SO. WE RESERVE THE RIGHT TO MAKE CHANGES OR ADD IMPROVEMENTS AT ANY TIME WITHOUT INCURRING ANY OBLIGATION TO MAKE SUCH CHANGES ON PRODUCTS MANUFACTURED PREVIOUSLY

SNAPPER® McDonough, GA., 30253 U.S.A.

Free Manuals Download Website

<http://myh66.com>

<http://usermanuals.us>

<http://www.somanuals.com>

<http://www.4manuals.cc>

<http://www.manual-lib.com>

<http://www.404manual.com>

<http://www.luxmanual.com>

<http://aubethermostatmanual.com>

Golf course search by state

<http://golfingnear.com>

Email search by domain

<http://emailbydomain.com>

Auto manuals search

<http://auto.somanuals.com>

TV manuals search

<http://tv.somanuals.com>