



## M26 SERIES

**Mechanical Windrow Sweeper  
For Simplicity Legacy**



**SWEEPSTER, Inc.  
2800 N. Zeeb Road • Dexter, MI 48130  
(734) 996-9116 • FAX (734) 996-9014  
1-800-456-7100**



---

# Table of Contents

**Section 1 ... Operation and Maintenance**

**Section 2 ... Service**

**Section 3 ... Parts**

**Section 4 ... Appendix**



---

# Operation and Maintenance

---

## M26 Series

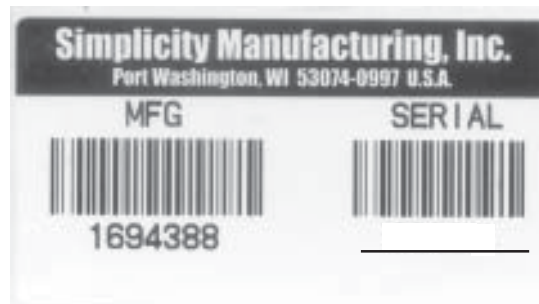
---

### Table of Contents

Introduction .....	7
<b>Safety .....</b>	<b>6-12</b>
General Safety Information .....	8-9
Safety Signs and Labels .....	10-12
<b>Operation .....</b>	<b>13-20</b>
Installation .....	13-15
Operating Tips .....	16-19
Removing Sweeper and Hitch .....	20
<b>Maintenance .....</b>	<b>21-25</b>
Daily Maintenance .....	21-22
Brush Replacement .....	22-24
Adjusting Drive Chain Idler .....	25
Adjusting Brush Pattern .....	25

## Serial & Part Numbers

On your unit you will find a serial number plate and/or part number plate(s). The numbers on these plates are very important if you wish to order parts or accessories. For your convenience, record numbers in the appropriate space below.



---

## Importance of this Manual

This operator's manual should be regarded as part of the sweeper. Suppliers of both new and secondhand sweepers are advised to keep documentation indicating that this manual was provided with the sweeper.

The manual contains information regarding installation, operation and maintenance required for this sweeper model and optional equipment. It also includes detailed parts lists.

---

## Purpose of Sweeper

This sweeper is designed solely for use in construction cleanup, road maintenance, grounds maintenance, snow removal and similar operations. Use in any other way is considered contrary to the intended use. Compliance with and strict adherence to operation, service and repair conditions, as specified by the manufacturer, are also essential elements of the intended use.

This sweeper should be operated, serviced and repaired only by persons who are familiar with its characteristics and acquainted with relevant safety procedures.

Accident prevention regulations, all other generally recognized safety regulations and all road traffic regulations must be observed at all times.

Any modifications made to this sweeper may relieve the manufacturer of liability for any resulting damage or injury.

---

## Safety Alert Symbol



This safety alert symbol indicates important safety messages in this manual. When you see this symbol, be alert to the possibility of injury. Carefully read the message that follows and inform other operators.

---

## Contacting SWEEPSTER

If you have any questions about information in this manual or need to order parts, please call, write, FAX or e-mail SWEEPSTER.

SWEEPSTER, Inc.  
2800 North Zeeb Road  
Dexter, Michigan 48130  
Phone: (734) 996-9116 • (800) 456-7100  
FAX: (734) 996-9014  
e-mail: sweep@sweepster.com

For help with installation, operation or maintenance procedures, contact our Technical Service Department. Direct product questions and parts orders to our Sales Department.

When ordering parts or accessories, be prepared to give the following information:

- Sweeper model, serial number and date of purchase
- Prime mover make and model
- Part number, description and quantity

---

## Terms Used in Manual

*Right-hand, left-hand, front and rear* are determined from the operator's perspective (either the operator's seat or standing behind a walk-behind unit), facing forward in the normal operating position.

*Prime mover* refers to the tractor, truck, loader or tow vehicle that a sweeper is mounted on or towed by.

---

## Optional Equipment

Installation instructions for optional equipment, if applicable, appear with parts lists in the back of the manual.

---

## Specifications & Features

Due to continuous product improvement, specifications and features may change without notice.

---

## Warranty


To validate the warranty for this unit, fill out the warranty card or warranty pages located at the back of this manual. Then, send this information to SWEEPSTER.


## Read this Manual


Read all safety information in this manual. All operators must read and understand the entire contents of this manual before sweeping. General safety practices are listed on Safety Information pages and specific safety information is located throughout this manual.

## Hazard Definitions

Four hazard classifications are used in this manual. They are


 **CAUTION** – Indicates a potentially hazardous situation which, if not avoided, may result in minor or moderate injury.

 **WARNING** – Indicates a potentially hazardous situation which, if not avoided, could result in death or serious injury.

 **DANGER** – Indicates an imminently hazardous situation which, if not avoided, will result in death or serious injury.

**IMPORTANT** – Used for instructions when machine damage may be involved.

## Operation


 **CAUTION** – A sweeper is a demanding machine. Only fully trained operators or trainee operators under the close supervision of a fully trained person should use this machine.

Before sweeping:

- Learn sweeper and prime mover controls in an off-road location.
- Be sure that you are in a safe area, away from traffic or other hazards.
- Check all hardware holding the sweeper to the prime mover, making sure it is tight.
- Make sure all hydraulic fittings and hardware are tight.
- Replace any damaged or fatigued hardware with properly rated fasteners.

- Check prime mover tire pressure before sweeping.
- Check tire ratings to be sure they match the prime mover load. Weigh the sweeper end of the prime mover, if necessary, to insure proper tire rating.
- Remove from the sweeping area all property that could be damaged by debris flying from the sweeper.
- Be sure all persons not operating the sweeper are clear of the sweeper discharge area.
- Always wear proper apparel such as a long-sleeve shirt buttoned at the cuffs; safety glasses, goggles or a face shield; ear protection; and a dust mask.

When sweeping, adhere to all government rules, local laws and other professional guidelines for your sweeping application.

 **WARNING** – Never raise the sweeper more than a few feet off the ground. The sweeper can tip back or the prime mover can tip over causing death or serious injury.

Before leaving the operator's area for any reason – lower the sweeper to the ground, stop the prime mover engine, set the brakes and remove the key from the ignition.

Minimize flying debris – use the slowest brush speed that will do the job.

Keep hands, feet, hair and loose clothing away from all moving parts.

Leave the brush hood (shield) and all other shields and safety equipment in place when operating the sweeper and prime mover.

Be aware of the extra weight and width a sweeper adds. Reduce travel speed accordingly.

When sweeping on rough terrain, reduce speed to avoid “bouncing” the sweeper. Loss of steering can result.

Never sweep toward people, buildings, vehicles or other objects that can be damaged by flying debris.



## Service & Repair



**CAUTION** – Do not modify the sweeper in any way. Personal injury could result. If you have questions, contact your dealer or SWEEPSTER.

Repair or adjust the sweeper in a safe area, away from road traffic and other hazards.

Before adjusting or servicing the sweeper – lower the sweeper to the ground, stop the prime mover engine, set the brakes and remove the key from the ignition.

When working on or around the sweeper, lower it to the ground or secure it with transport chains or cylinder-stop locks.

Stop the prime mover engine and cycle control levers to release hydraulic pressure before servicing or adjusting sweeper hydraulic systems.



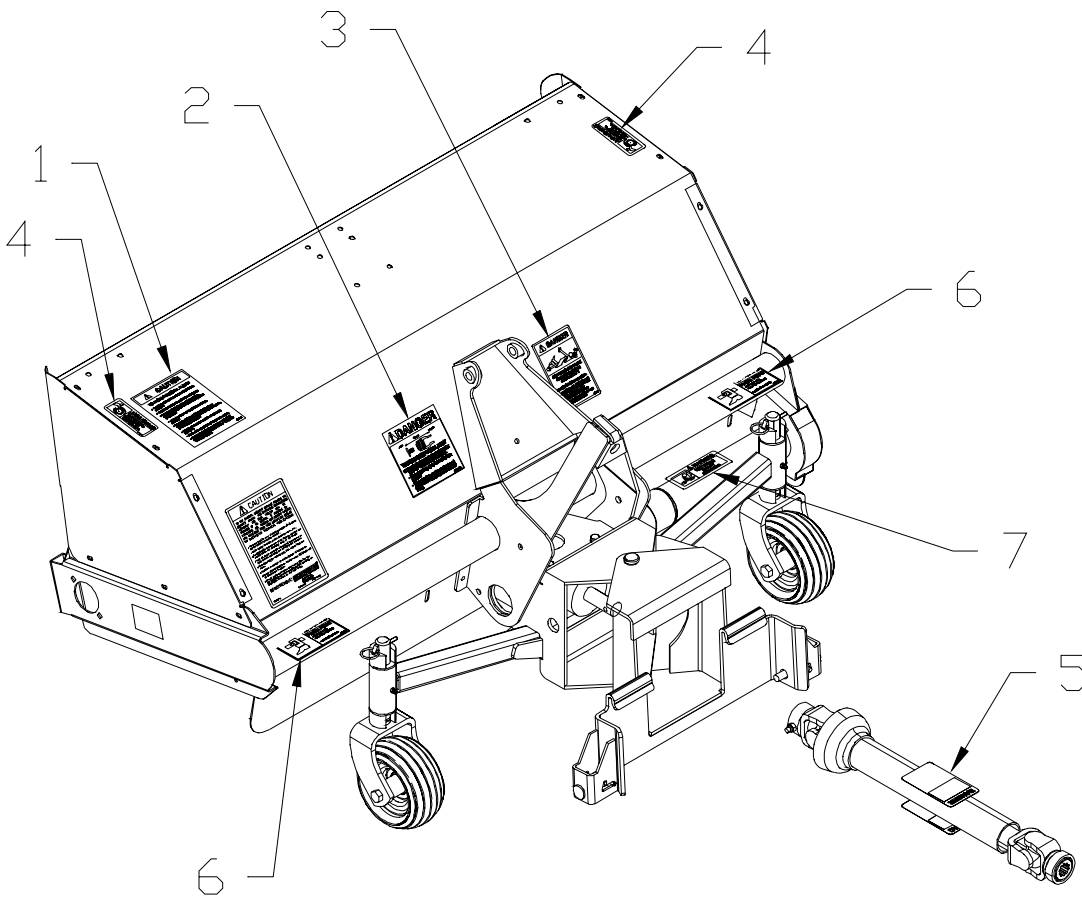
**WARNING** – Escaping hydraulic fluid can have enough pressure to penetrate the skin, causing serious personal injury.

---

### Care of Safety Signs

1. Keep safety signs clean and free from obstructing material.
2. Clean safety signs with soap and water; dry with a soft cloth.
3. Replace damaged or missing safety signs with new signs from SWEEPSTER.
4. If a component with safety sign(s) affixed is replaced with a new part, make sure the new safety sign(s) is (are) attached in the same location(s) as the replaced components.
5. Install new safety signs on clean surfaces only. Spray a weak solution of soap and water on the surface before applying the safety sign. This will allow repositioning of the label. Squeegee any bubbles to the outside edge.

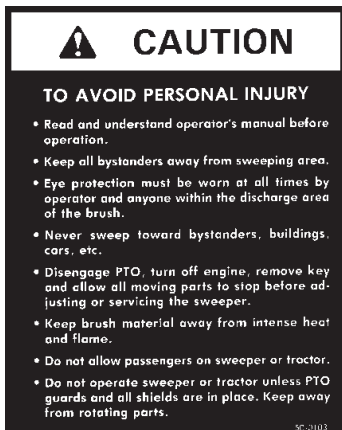
### Locations



Item	Part	Description
1.	50-0103	Label, Caution, To Avoid Injury
2.	50-0104	Label, Danger, Lock-Collar, Unlock-Collar
3.	50-0115	Label, Danger, Rotating Drive
4.	50-0145	Label, Warning, Rotating Broom
5.	50-0394	Label, Danger, Rotating Drive Line
6.	50-0076-1	Label, Caution, Pinch Point
7.	50-0213	Label, Warning, Rotating Driveline

### Representations of Labels

Locations shown on page 10.



1. 50-0103



3. 50-0115



2. 50-0104



4. 50-0145

### Representations of Labels (Continued)

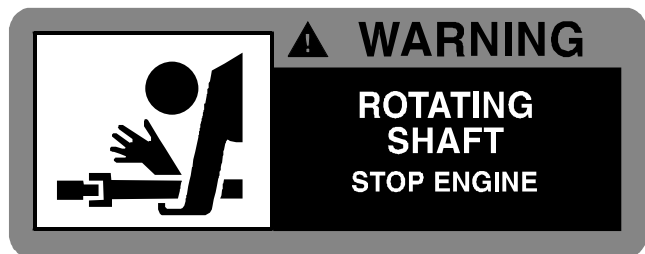
Locations shown on page 10.



5. 50-0394



6. 50-0076-1



7. 50-0213

**Initial Installation**

Follow the instructions for the subframe kit.

**Install Front Hitch**

1. Lift the hitch assembly (C, figure 1) slide onto the slots on tractor (E). Lift back of hitch assembly to frame (D) and install clevis pins (B), clevis pins (F) and hair pins (A).

Many approved attachments have color coded quick couplers to aid in installation. Match the tractor quick coupler with the like colored attachment quick coupler.

2. Install hydraulic cylinder hoses and fittings. (figure 2)

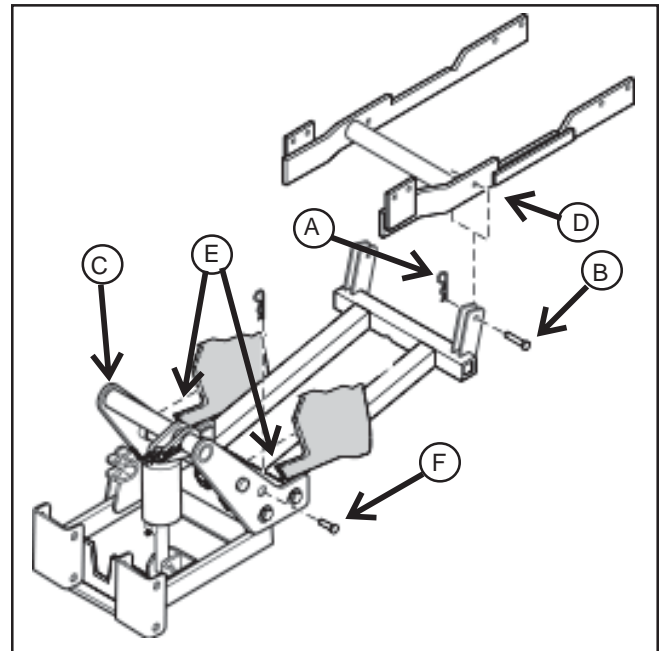


Figure 1. Hitch to Tractor Installation

- |                              |                            |
|------------------------------|----------------------------|
| A. Hair Pin                  | D. Subframe                |
| B. Clevis Pin, 5/8 x 1 13/16 | E. Slots on Tractor        |
| C. Assembly                  | F. Clevis Pin, 5/8 x 2 1/2 |

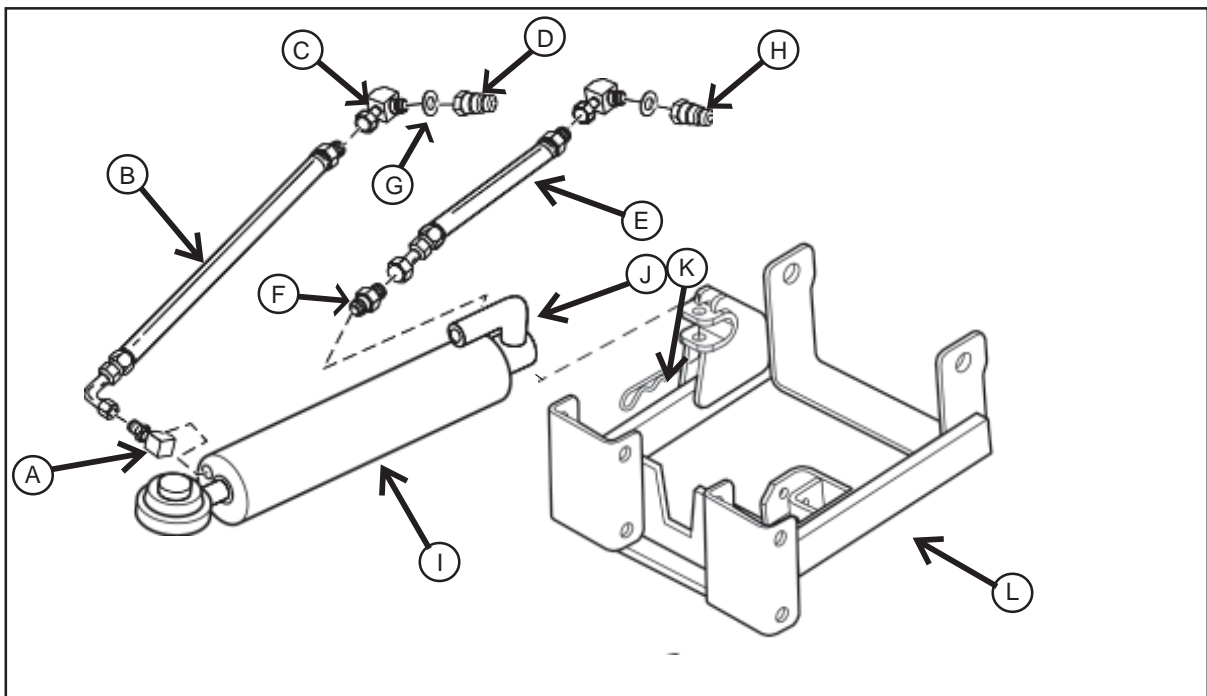


Figure 2. Cylinder/Hose Installation

- |                             |                              |                       |
|-----------------------------|------------------------------|-----------------------|
| A. Fitting, 1/8NPT x 1/2-20 | E. Hose 22" Long             | I. Hydraulic Cylinder |
| B. Hose 30" Long            | F. Fitting, 1/8NPT x 7/16-20 | J. Pin                |
| C. Fitting, Elbow, Swivel   | G. Washer, Green             | K. Hair Pin           |
| D. Quick Disconnet          | H. Washer, Yellow            | L. Hitch              |

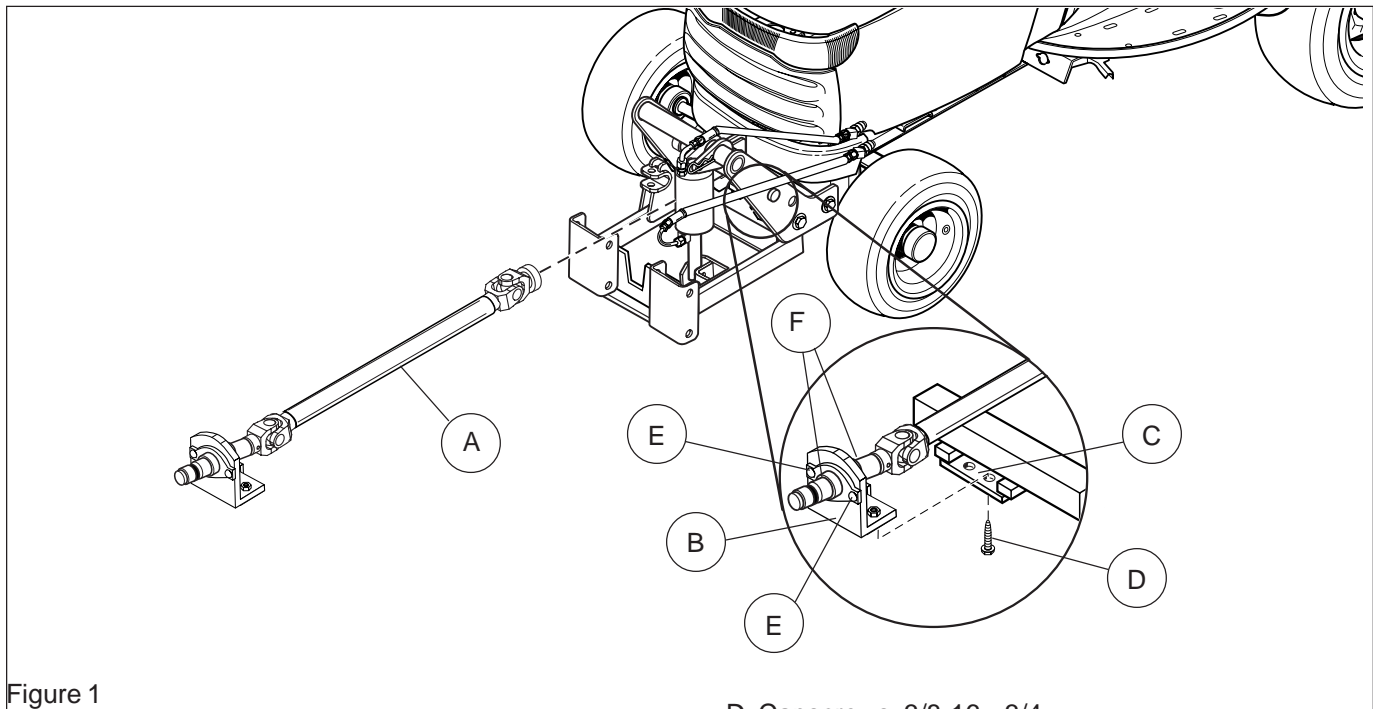


Figure 1

- A. Drive Shaft
- B. Support Bracket
- C. Front Hitch

- D. Capscrews, 3/8-16 x 3/4
- E. Carriage Bolts and Nuts
- F. Set Collars

### Install Long Drive Shaft

1. Slide the drive shaft (A, Figure 1) in from the front. Line up the support bracket (B) with the front hitch (C). Simultaneously line up the locking collar of the drive shaft (A, Figure 12) with the gear drive of the transmission (B).
2. Slide the support bracket (B, Figure 1) in to the front hitch (C) about 1/2". Connect the locking collar (A, Figure 2). Pull back on the locking collar (A) and slide the drive shaft fully onto the transmission (B). Release the locking collar and pull back on the drive shaft until the locking collar locks onto the shaft.
4. Slide the support bracket (B, Figure 1) all the way into the front hitch (C). The support bracket (B) should be touching the front hitch. Tighten cap screws (D).

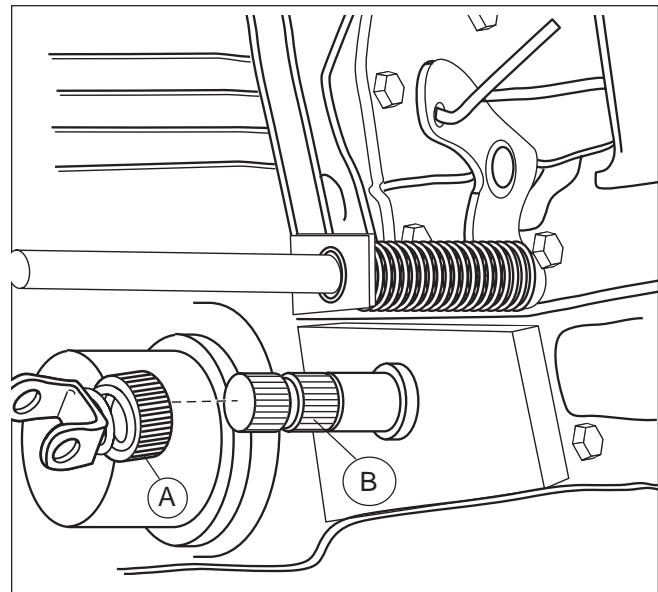


Figure 2

- A. Drive Shaft Locking Collar
- B. Transmission Shaft

*Note: If the support bracket does not touch the front hitch (C, Figure 1) loosen the set collars (F) carriage bolts and nuts (E) holding the bearing holders. Slide the bracket to the front hitch (C) and tighten the set collars (F) carriage bolts and nuts (E). Secure the bracket with the cap screws.*

**Install Brush Head**

1. Use tractor lift lever to lower hitch.
2. Position tractor in line with brush head.
3. Drive forward until hitch touches brush head, lift hitch to engage implement.
4. Stop tractor engine, get off tractor, ensure pins snap and engage into hitch. (figure 1.)
5. Connect drive line.
6. Connect cylinder to hitch and hydraulic lines to tractor.
7. Place storage stands in up position.

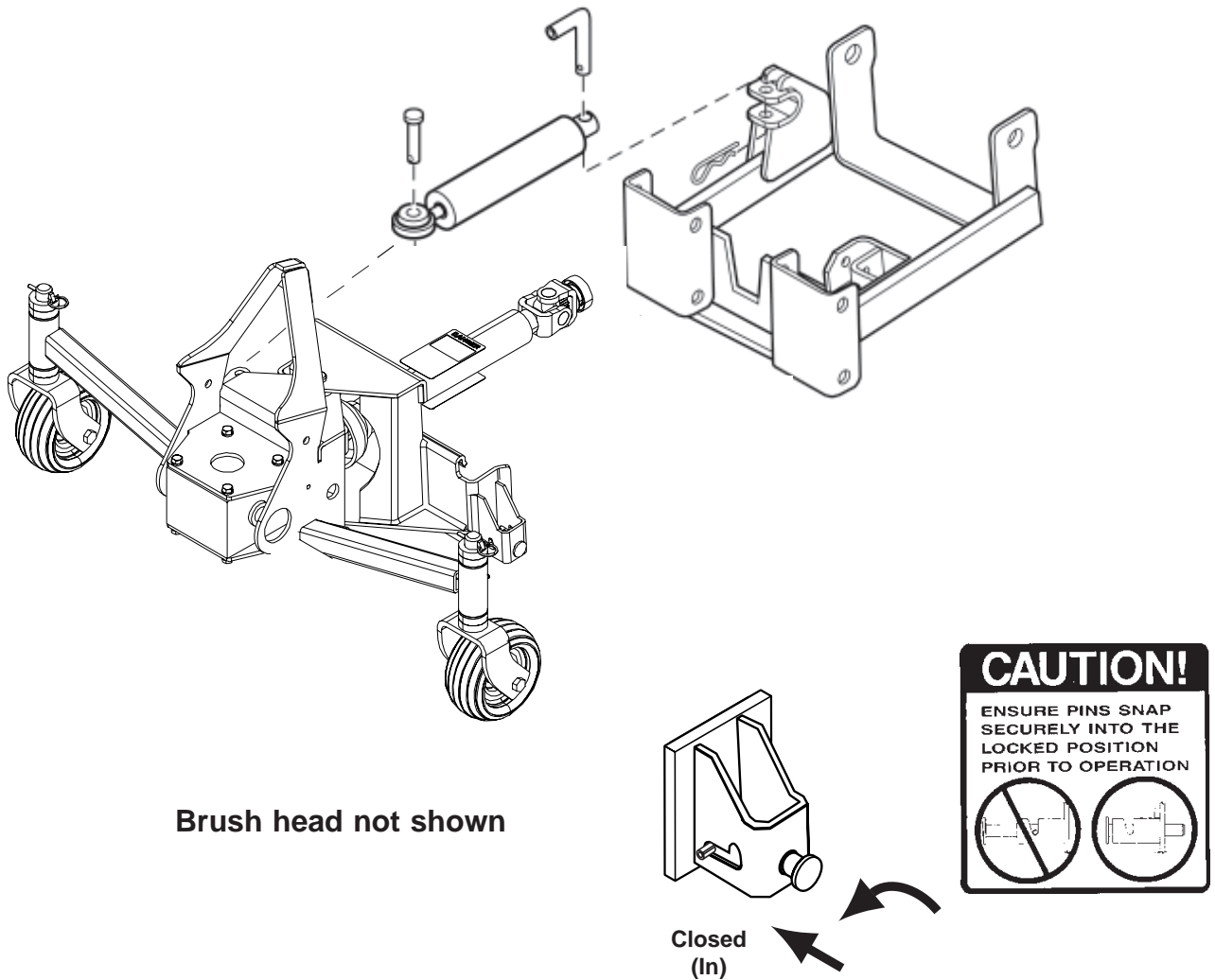




Figure 1.

---

## Operational Check

 **CAUTION** – Contact with the sweeper, moving joints or material discharged by the brush can cause serious injury. Operate this implement from the operator's seat only. Make sure bystanders are well clear of the sweeper and sweeper discharge area before angling or engaging the sweeper.

1. Lubricate all U-joints and driveline components on the sweeper with high-quality, multi-purpose grease.
2. Start the tractor according to instructions in the tractor operator's manual.
3. Slowly raise the sweeper to the fully lifted position with the implement lift.
4. Stop the tractor and remove the key.

 **CAUTION** – Do not get under the sweeper at any time while sweeper is in the raised position.

---

5. Carefully examine the sweeper clearance under the tractor undercarriage.
  6. If sweeper shields or other parts contact the undercarriage of the tractor in any way, remove the sweeper from the tractor and follow the tractor operator's manual to adjust the implement lift height adjustment linkages, limiting the maximum lift height.
  7. Reinstall the sweeper.
  8. Start the tractor according to instructions in the tractor operator's manual.
  9. Engage the tractor PTO with the engine at 1,000 rpm. Note any excessive noise, vibration or other problems.
  10. Disengage the PTO, shut off the engine and remove the key.
  11. Correct any driveline problems before the unit is put into service.
-



## Operating Sweeper

**CAUTION** – Operate this implement from the operator's seat only. Do not allow other riders on the machine at any time.

**CAUTION** – Operate this implement at a speed that matches working conditions. Be extremely careful when working on banks or uneven terrain.

**CAUTION** – Operators must wear eye protection (goggles, etc.) during operation.

For the most efficient operation, sweep with the tips of the bristles like a broom – not with the sides of the bristles like a mop. Adjust the brush contact according to instructions in Adjust Brush Contact Area (page 25).

For heavy material, reducing ground speed and angling the brush fully right or left to gives the best sweeping results. This allows the sweeper to discharge material out of brush path area and prevents the "re-sweeping" of material.

For specific tips, see Snow Removal, Lawn Thatching, Leaf Raking and General Sweeping• in this manual section.

Brush stands must be placed in the raised position before sweeping.

## Sweeper Control

**WARNING** – Contact with the tractor, sweeper or debris discharged by sweeper can cause serious injury. Be sure bystanders are completely clear of the tractor, sweeper and sweeper discharge area before operation.

**CAUTION** – Always wear eye protection when operating any sweeper.

Use the tractor PTO to start and stop the sweeper brush.

1. Start the engine and put the throttle lever at 1/3 speed.
2. Engage the PTO.
3. To stop, disengage the PTO.

Use the tractor lift lever to raise and lower the sweeper.



4 WD hydraulic left



4 WD hydraulic right



4 WD hydraulic lift



4 WD hydraulic lower

Control brush speed with the throttle. If the brush stalls frequently, increase the engine speed slightly. Find the right brush and travel speeds so you don't have to increase the brush speed suddenly to overcome a stall. Under most conditions, too fast of brush speeds result in debris coming over the hood onto the operator.

## Snow Removal

**CAUTION** – Foreign objects in snow may be thrown farther than the snow itself. Use the slowest brush speed that will perform the job and always remain aware of the sweeper discharge direction.

**CAUTION** – Snow or ice build-up on the sweeper hood can cause a loss of tractor steering control. Regularly remove any snow or ice from the sweeper hood to prevent the excess weight from affecting steering.

Vary the brush speed and sweeper angle so the sweeper throws material out of the sweeper path whenever possible.

Faster brush speeds perform better on wet, heavy snow or slush.

This sweeper works best on snow depths of 6 in. (152 mm) or less, but almost any amount of snow can be moved if ground speed is reduced. If snow carries over to the rear of the brush, reduce speed and make a second pass to produce a clean surface.

### Lawn Thatching

**NOTE** – Your sweeper is provided with a polypropylene brush. Brushes with 1/2 poly–1/2 wire or full wire sections may damage lawns by pulling out the live grass. Brushes made with wire are not recommended for lawn thatching.

Carry the sweeper with the implement lift slightly raised to limit ground contact. Brush bristles should barely touch the ground while sweeping under load.

Slower brush speeds and slower ground speeds are more suitable for lawn thatching. This gives the brush time to pull out the dead grass and minimizes the bouncing of the brush head, which can cause lawn damage due to excessive ground contact.

Minimize dust by sweeping when moisture is high (but not wet).

---

### Leaf Raking

Carry the sweeper with implement lift slightly raised to limit contact with the grass.

Use slower brush speeds and slow-to-medium travel speeds when raking leaves.

For best results, rake leaves on days when leaf moisture is high.

---

### General Sweeping

Minimize dust by reducing brush speeds and by sweeping on days with high moisture. Try to keep wind at your side or back. (Refer to figure 1.)

For light material, angle the sweeper 30° left or right.

Prevent damage to the sweeper by removing large foreign objects.

---

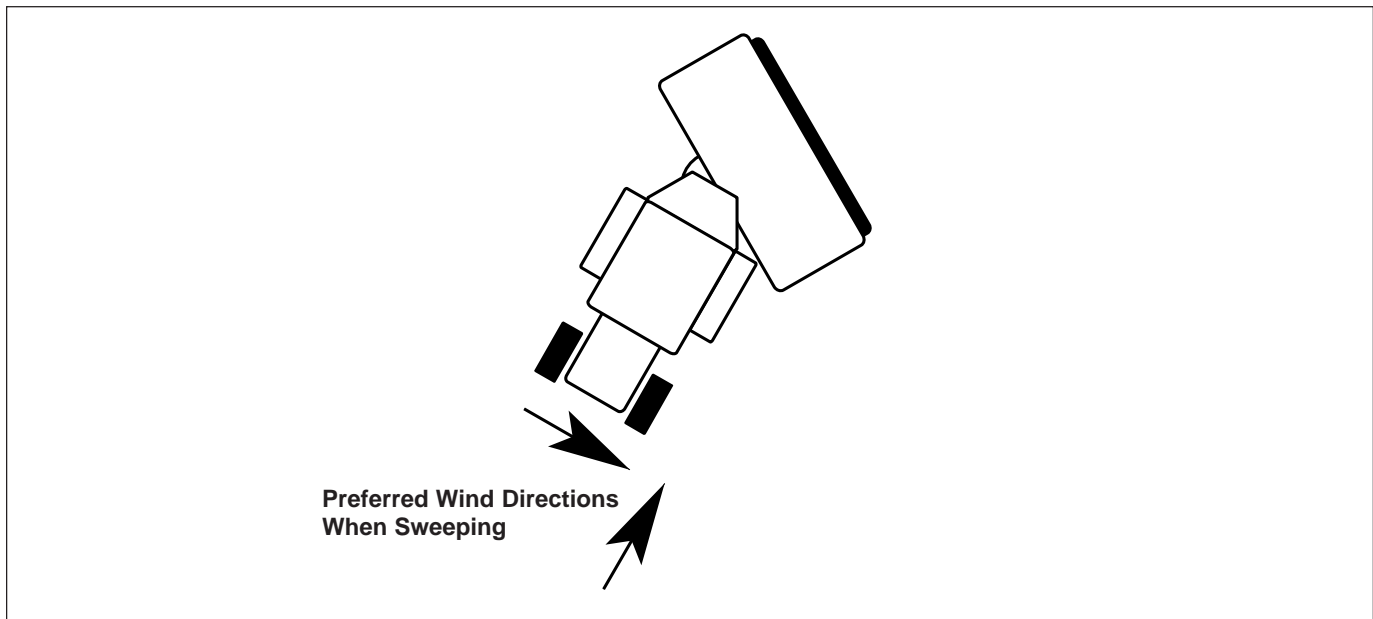


Figure 1

**If Material Piles in Front of Sweeper**

- Decrease travel speed
  - Increase the engine rpm
  - Make more than 1 pass
  - Raise the brush to decrease the contact area
  - Increase the sweeper angle
- 

**If Brush Wears Unevenly**

- Check for material wrapped around the brush
  - Clean underneath the hood
- 

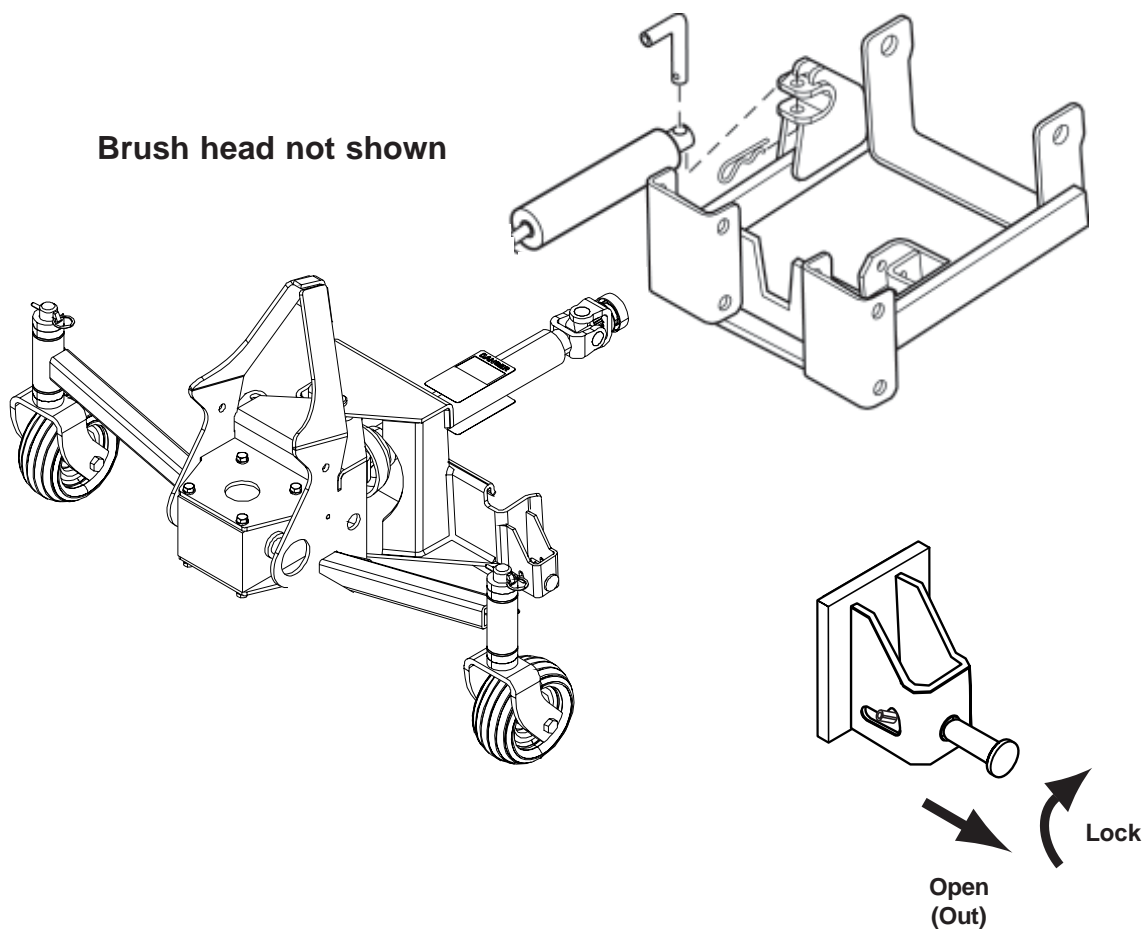
**If Driveline Wears Quickly**

- Decrease travel speeds
  - Make more than 1 pass, especially in deep, heavy materials
  - Avoid ramming piles
  - Lack of lubrication – lubricate more often
-

## Sweeper & Hitch Removal

**NOTE** – Whenever removed, install clevis pins, hitch pins, clips and hardware into the sweeper and hitch for storage.

1. Install stands in storage position and fully lower the attachment lift.
2. Disconnect the drive shaft by pulling back on the locking collar and then pulling the shaft off.
3. Disconnect hydraulic hoses. Disconnect hairpins and remove clevis pins. Slide hitch assembly off the slots on the tractor.
4. Detach the sweeper from the sweeper hitch by moving the shot pins into open position.
5. Lower the hitch to the ground and back out.





**CAUTION** – Allow only trained personnel to operate or service this implement. Know and understand all precautions before assembly, service or operation. Also read and understand all safety precautions in the tractor operator's manual.

## Lubrication

### Gearbox

Check gearbox lubricant every 25 hours.

1. When oil is cold, remove the top plug (figure 1). Make sure oil is level with the plug hole.
2. If needed, add gear oil meeting SPI GL5 80w-90 classification. Do not exceed a 50/50 mix with synthetic oil.
3. Reinstall the plug.

**NOTE** – You do not have to change gearbox oil.

### Drive Shaft

After every 8 operating hours, lubricate 3 grease points (figure 2) on the drive shaft with multi-purpose grease. Do not over grease universal joints.

### Bearings

All bearings on the sweeper are permanently lubricated for long life and require no lubrication.

### Drive Chain

Lubricate with oil when changing brush sections.

---

## Tractor Air Filter

Due to dusty conditions, check the tractor air filter often. Further instructions appear in the tractor operator's manual. Be sure to follow the recommendations for "extreme conditions" as the air filter can be affected by dust and other debris raised by the sweeper.

---



figure 1

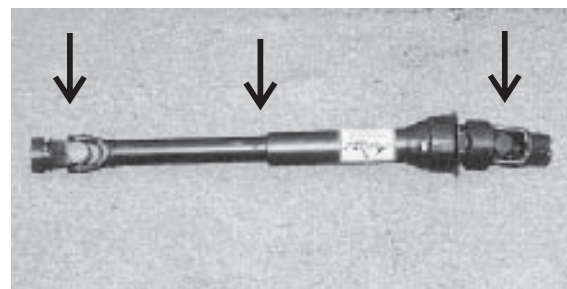


figure 2

## Daily Maintenance Checks

Hardware – Check and tighten all hardware on the sweeper, including factory-installed hardware.

Brush Contact – Check brush contact. (See Adjusting Brush Contact Area, page 25.)

## Brush Replacement

Replace sections when worn to 14 in. (356 mm) in diameter.

**NOTE** – Replacing brush sections can be accomplished more easily with the sweeper mounted on the tractor than with it on the ground.

1. Remove the chain guard (figure 1) from the right-hand side of the brush head.
2. Disconnect the drive chain (figure 2) at the master link. Remove the chain from the large sprocket.
3. Loosen 2 set screws on each lock collar located at each end of the brush core (figures 3 and 4).
4. Remove the chain guide plate (figure 5).



Figure 1

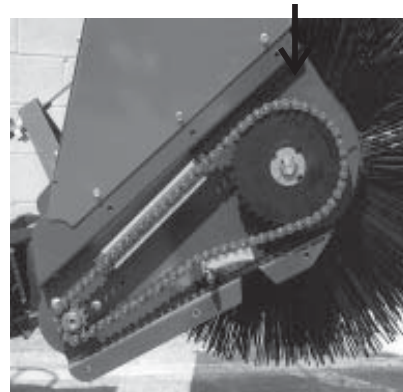


Figure 2

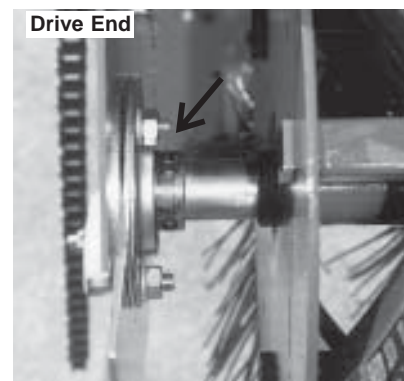


Figure 3



Figure 4

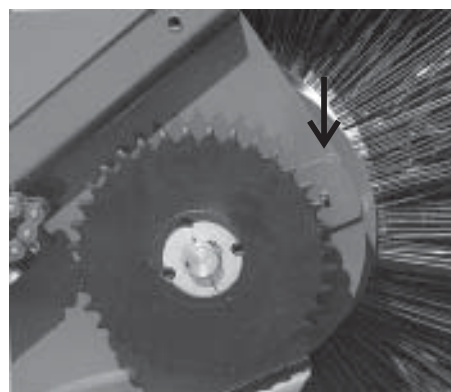


Figure 5

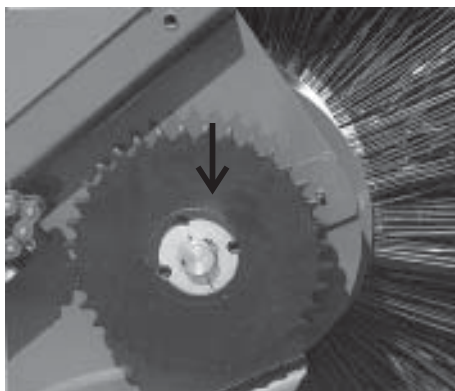


Figure 6

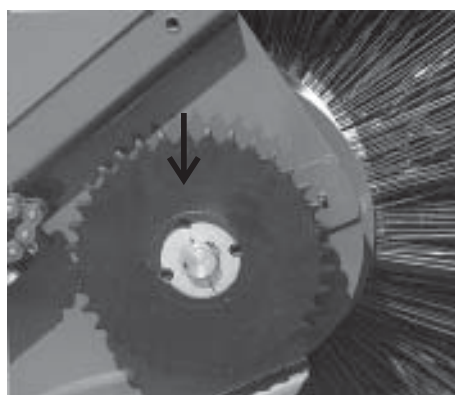


Figure 7



Figure 8

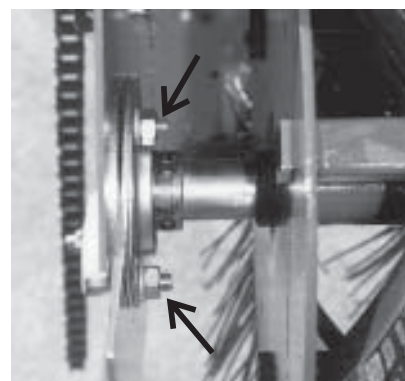


Figure 9

5. Remove the snap ring from the large sprocket (figure 6).
6. Remove the lock hub by removing all set screws and then inserting the screw indicated in figure 7.
7. Remove the sprocket, washer and key from the brush core.
8. Loosen 2 M8 hex nuts that retain the bearing on the bearing end of the core (figure 8).
9. Slide the core to the toward the bearing end to allow additional space on the other side.
10. Remove 3 M8 carriage bolts, lock washers and hex nuts that retain the drive end bearing and flanges (figure 9).
11. Pull the brush core from the brush frame (figure 10).
12. Remove 3 screws to take the retainer plate off the core.
13. Remove old sections.

**Continued on next page**



Figure 10

14. Install new sections by doing the following.
  - a. Number the tubes on the core as 1, 2, and 3 (figure 1).
  - b. Slide the first section onto the core with the drive pins (figure 2) on both sides of tube 1. Make sure that the drive pins face up.

**NOTE** – When using 1/2 poly–1/2 wire sections, place a poly section first and last on the core to prevent damage to the hood, driveline and frame.

- c. Place the second section on the core with the drive pins on both sides of tube 2. Be sure the drive pins face down.
  - d. Put the third section on with the drive pins around tube 3. Be sure the drive pins face up.
  - e. Slide sections on until the core is full, making sure to alternate the tubes used and the direction of the drive pins.

15. Put the retainer halves on the brush head and reinstall the screws.

16. Position the brush head in front of the brush hood.

17. Place the bearing end of the brush core in the bearing side of the brush head.

18. Place the drive end in the brush frame. The bearing and flanges go between the brush frame and brush core.

19. Slide the core toward the bearing end.

20. Install 3 M8 carriage bolts, lock washers and hex nuts in the drive end bearing and flanges.

21. Tighten all set screws on lock collars.



figure 1

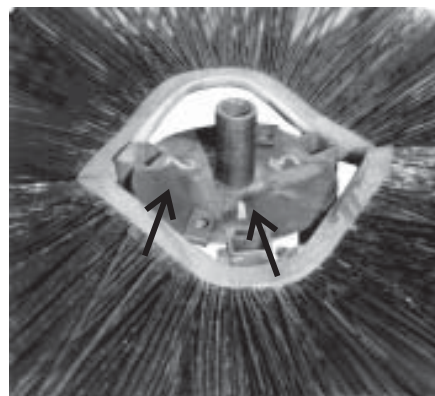


Figure 2

22. Install the key, washer, sprocket, hub and snap ring.
23. Tighten the hub onto the sprocket.
24. Clean and lubricate the drive chain. Then, install it.
25. Reinstall the chain guide plate.
26. Reinstall the chain guard. Insert a 1/8 in. (3 mm) or smaller diameter pin punch through the hole in the chain guard and into the idler to align the components.
27. Adjust the idler according to Adjusting Drive Chain Idler (page 25). Adjust the brush by following directions in Adjusting Brush Contact Area (page 25).



### Adjusting Drive Chain Idler

1. Clean debris off the idler adjustment screw (figure 1) located on the drive end of the brush head.
2. Disconnect the quick release end of the sweeper drive shaft.
3. Raise the sweeper several inches off the ground.
4. Loosen the jam nut.
5. While rotating the brush manually, turn the idler screw by hand until it will not tighten any more.

**IMPORTANT** – Avoid damage to the sweeper drive mechanism. Tighten the idler by hand only. Using a wrench or other tool can result in overtightening the idler which can damage the drive chain and other parts.

6. Tighten the lock nut.



Figure 1



Figure 2

### Adjusting Brush Contact Area

**NOTE** – Keep tires at the correct pressure.

1. Drive to a dirty section on a hard surface.
2. Set the brush on the ground and run it 30 seconds without moving the tractor.
3. Stop, raise the brush head assembly, back away and park the tractor.
4. Measure the path cleared. If the sweeper is adjusted correctly, the path will be 2-3 in. (51-76 mm) wide.
5. Adjust brush contact area with the brush adjustment knob (figure 2). To make the path wider, lower the brush head assembly by turning the knob to the left (counterclockwise). To create a narrower path, raise the brush head assembly by turning the knob to the right (clockwise).

### Replacing Shear Bolt

Replace the shear bolt in the end of the drive shaft if it breaks.

1. Remove any remaining parts of the broken shear bolt.
2. Install a new shear bolt.
3. Check the condition of the snap ring retaining the drive shaft. Replace if it is broken or damaged.

### Safety Labels

Replace worn or damaged safety labels before the sweeper is operated. If any safety labels become damaged when parts are repaired, replace those labels before operating the sweeper.

Keep all safety labels clean so they are easy to read.

Order replacement safety labels (shown on pages 11-12 of this manual). Replacement safety labels are supplied at no charge.

See page 10 for the location of safety labels on the sweeper.

## Notes

---

---

# Parts

---

## M26 Series

---

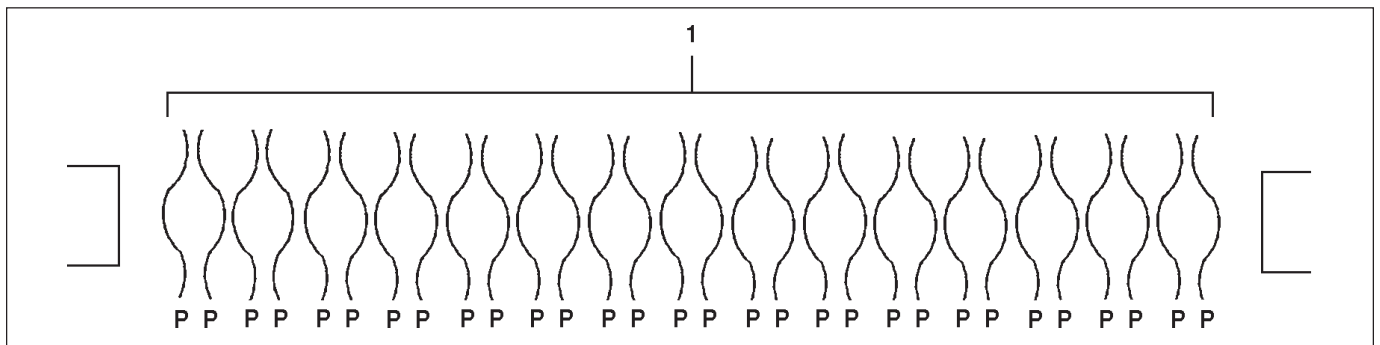
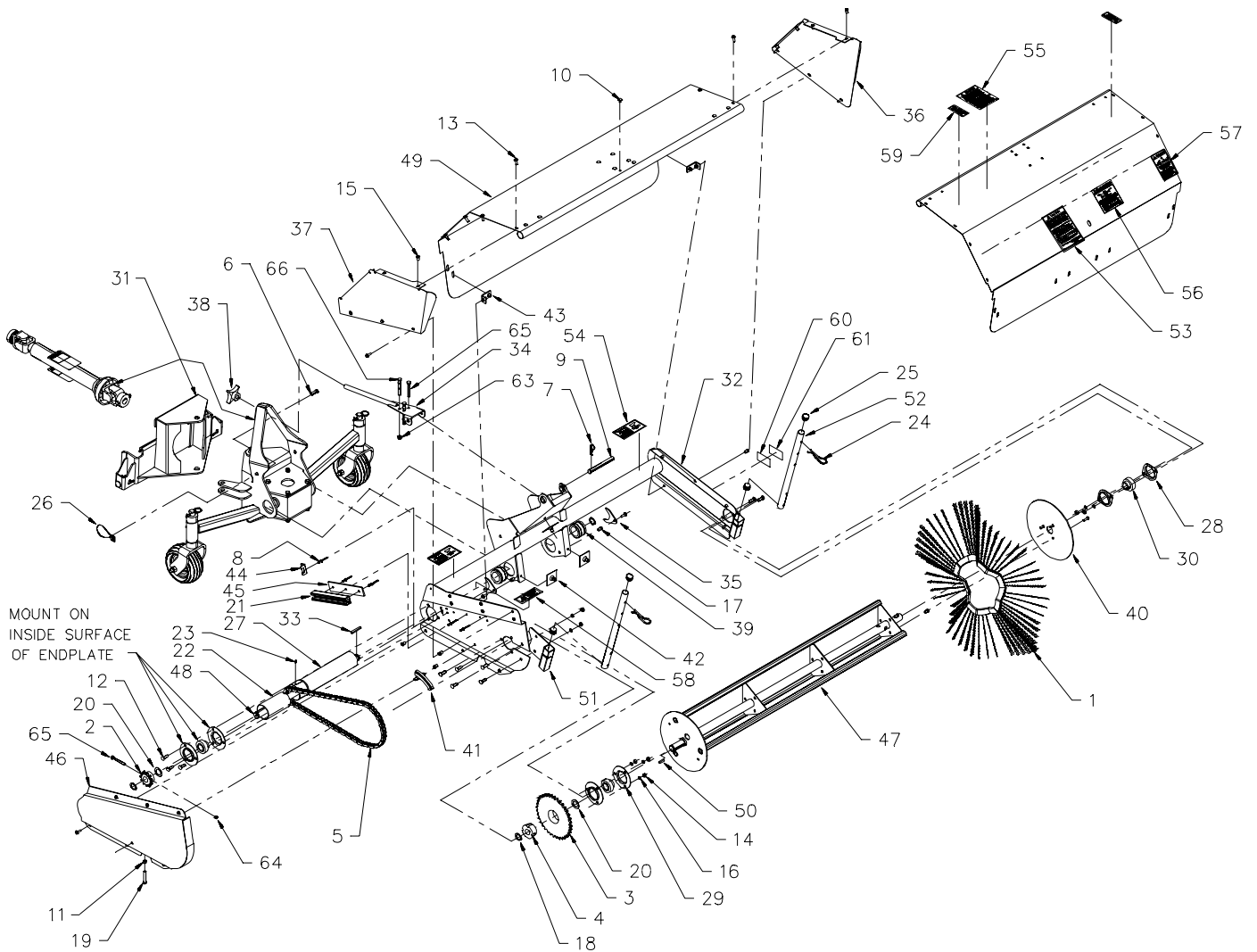
### Table of Contents

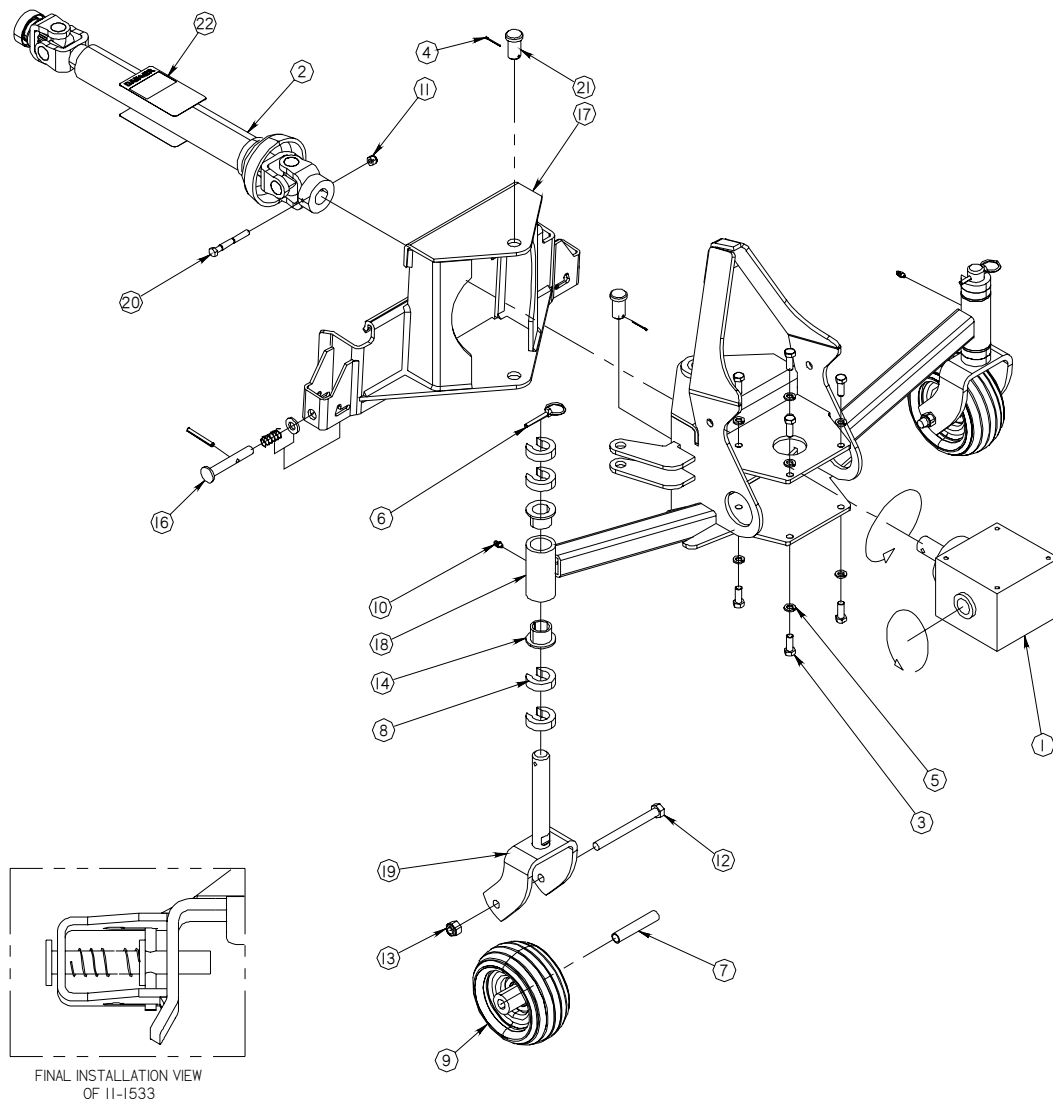
<b>Parts List .....</b>	<b>28-32</b>
Brush Head .....	28-29
Hitch .....	30
Mounting Hardware .....	31
Sections .....	32

PARTS SECTION  
BRUSHHEAD ASSEMBLY

Item	Part	Qty	Description	Item	Part	Qty	Description
1.	01-5847	24	Section, 26, 8 P, Convolute, Black (4 Ft Broom)	36.	13-5741	1	Sheet, Hood, Side, Left
		31	Section, 26, 8 P, Convolute, Black (5 Ft Broom)	37.	13-5742	1	Sheet, Hood, Side, Right
2.	06-0433	1	Sprocket, 50B11 x 1 Bore x 1/4 Key	38.	13-8384	1	Knob, Pattern, Adjustment, 5/8-8
3.	06-0434	1	Sprocket, 50B36, Tapered Bore	39.	13-8390	2	Bushing, Brush Head, Swing
4.	06-0435	1	Hub, Taper, 1.00 Bore, 1/4 Key	40.	13-8396	1	Plate, Retainer, Core
5.	06-0436	1	Chain, #50, 78 Pitches	41.	13-8420	1	Weld, Idler
6.	07-0193	1	Pin, Clevis, Gr2, 3/8 x 1 1/8	42.	13-8472	3	Assembly, Plate, Locking
7.	07-0210	1	Clip, Hairpin, 14Ga x 1.75	43.	13-8557	2	Assembly, Support, Hood
8.	07-1075	7	Rivet, Pop, Gr2, 3/16 x 3/4	44.	13-9456	2	Plate, Keeper
9.	07-1090	1	Pin, Clevis, Gr2, 1/2 x 5, Grip 4.75	45.	13-9457	1	Plate, Spacer, Chain Guide
10.	07-1679	10	Plug, Cap, Plastic, for 5/16 Hole	46.	13-9591	1	Weld, Cover, Brush Frame Side
11.	07-1810	1	Nut, Lock, Center, Gr2, 5/16-18	47.	13-9652	1	Weld, Core (4 Ft Brush)
12.	07-2950	10	Bolt, Carriage, Cl8.8, M8 x 1.25 x 20		13-8391	1	Weld, Core (5 Ft Brush)
13.	07-2952	32	Screw, Cl10.9, M6 x 1 x 20	48.	13-9655	1	Shaft, Drive Line (4 Ft Brush)
14.	07-2954	10	Nut, Hex, Gr5, M8 x 1.25		13-8415	1	Shaft, Drive Line (5 Ft Brush)
15.	07-2956	30	Nut, Insert, M6 x 1 Grip .027-.165	49.	13-9659	1	Sheet, Hood (4 Ft Brush)
16.	07-3273	8	Washer, Lock, Split, Medium, 5/16		13-5743	1	Sheet, Hood (5 Ft Brush)
17.	07-3922	2	Nut, Insert, M6 x 1, Grip .165-.251	50.	13-9698	2	Key, 1/4 x 1/4 x 15/16
18.	07-3939	3	Ring, Snap, 1 x .078	51.	13-9817	1	Weld, Stand, Holder
19.	07-4089	1	Screw, Tap, 5/16-18 x 2.25	52.	13-9818	2	Tube, Rd, Stand
20.	07-4090	2	Washer, 1.5 x 1 x .075	53.	50-0014-11	1	Label, Caution, Read Manual
21.	07-4417	1	Chain, Guide	54.	50-0076-12	1	Label, Caution, Pinch Point
22.	07-4473	1	Shield, Drive shaft	55.	50-0103	1	Label, Caution, Avoid Personal Injury
23.	07-4484	1	Screw, Panhead, 8-18 x 1/2	56.	50-0104	1	Label, Danger, Lock Collar
24.	07-4522	2	Clip, Hairpin, .162 x 3.43	57.	50-0115	1	Label, Danger, Rotating Drive Line
25.	07-4523	4	Plug, Cap, Plastic, Black, 1 x .51	58.	50-0213	2	Label, Warning, Rotation, Shaft
26.	07-4656	1	Tag, Plastic, Red, Remove Before Use	59.	50-0391	2	Label, Warning, Rotating Broom
27.	07-4987	1	Shield, Drive shaft, with Hole (4 Ft Broom)	60.	50-0718	1	Label, Serial Number
	07-4472	1	Shield, Drive shaft, with Hole (5 Ft Broom)	63.	07-3270	2	Nut, Hex, Nylock, Gr8, 5/16-18
28.	08-0005	2	Flange, Bearing, 2 Holes	64.	07-4033	3	Nut, Hex, Nylock, 1/4-20
29.	08-0008	4	Bearing, Flange, 3 Hole	65.	07-4668	3	Screw, HHC, Gr2, 1/4-20 x 2 1/2
30.	08-0148	3	Bearing, 1 RD, with Collar/Set Screw	66.	13-8385	2	Bolt, Shear
31.	11-5131	1	Assembly, Mounting, QA				
32.	13-10018	1	Weld, Frame, Brush (4 Ft Brush)				
	13-9593	1	Weld, Frame, Brush (5 Ft Brush)				
33.	13-1321	1	Key, 1/4 x 1/4 x 2				
34.	13-5723	1	Weld, Adjustment, Brush Head				
35.	13-5740	2	Plate, Retainer, Bushing, Swing				

# Brush Head





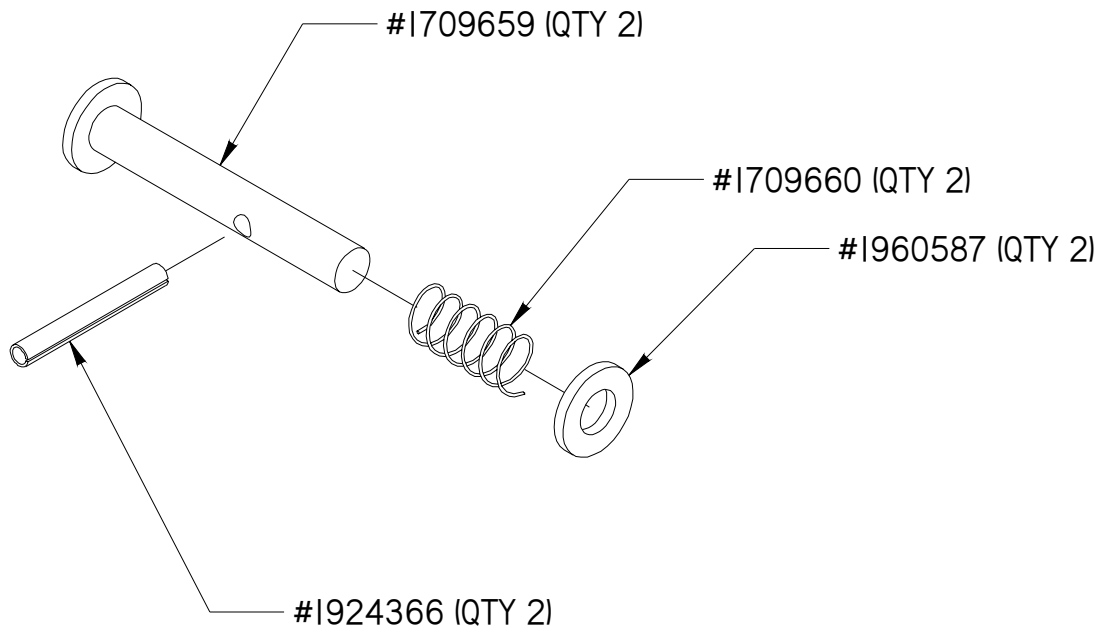
Item	Part	Qty	Description
1.	05-1409	1	Gearbox, Omni, 3:1
2.	05-1291	1	Shaft, Drive
3.	07-0018	8	Screw, HHC, Gr8, 3/8-16 x 1
4.	07-0699	2	Pin, Cotter, Gr2, 1/8 x 1 1/4
5.	07-1718	8	Washer, Lock, Split, Medium, 3/8
6.	07-2843	2	Pin, Klick, 3/16 x 1, 5/8
7.	07-3013	2	Bushing, Caster
8.	07-3015	8	Spacer, Caster
9.	07-4367	2	Wheel, Caster, 6.25 x 5/8
10.	07-3112	2	Fitting, Zerk, 1/4-28, Self Tap
11.	07-4033	1	Nut, Hex, Nylock, Gr8, 1/4-20

Item	Part	Qty	Description
12.	07-3676	2	Screw, HHC, Gr8, 1/2-13 x 5
13.	07-4037	2	Nut, Hex, Nylock, Gr8, 1/2-13
14.	08-0131	4	Bearing, Caster
16.	11-5133	1	Kit, Mounting, Hardware
17.	13-13159	1	Weld, Mounting, QA
18.	13-13164	1	Weld, Swing, Frame
19.	13-4291	2	Weld, Caster, Fork
20.	07-2914	1	Bolt, Shear, Gearbox
21.	13-9541	2	Pin, Clevis, .75 x 1.11
22.	50-0394	2	Label, Danger, Rotating Drive Line

Not Shown

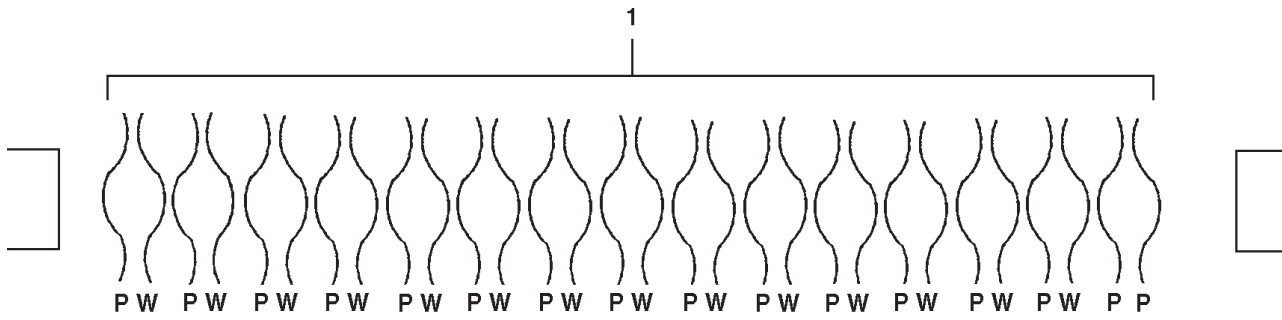
11-5132	1	Kit, Hydraulic, Swing
---------	---	-----------------------

Kit 11-5133 Mounting Hardware



11-5132 Kit Hydraulic Swing

Part #	Qty
1725359	1
1725049	1
1918452	1
1725322	1
1960033	1
919171	1
172320	1
1725318	1
1725319	1
173359	2
1725520	2
1726321	2
1726319	2



**Item Part Qty Description**

- 1. 01-0924 1 Section, Set, 26, 8, Combination, Convoluted



---

# Appendix

---

## M26 Series

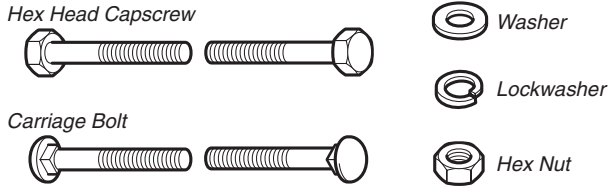
---

### Table of Contents

Hardware and Torque Specifications .....	34
Warranty .....	35-36

# Hardware Identification & Torque Specifications

## Common Hardware Types

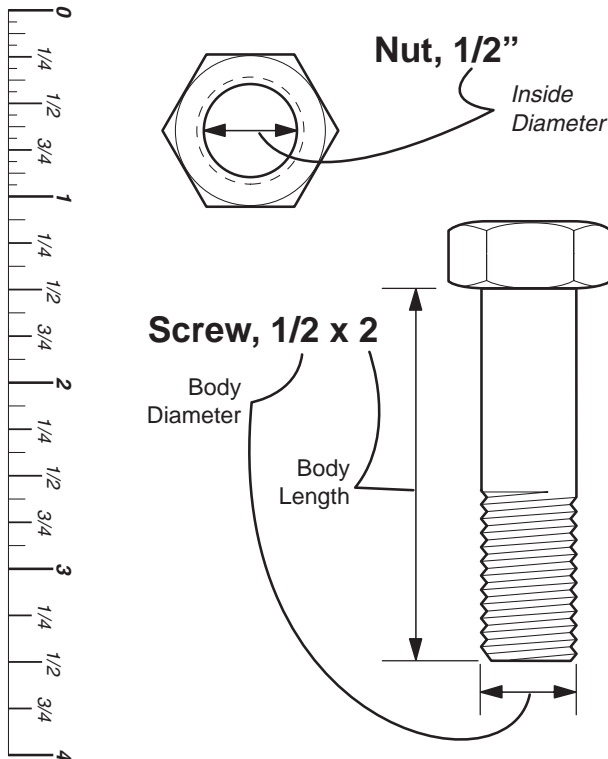


## Standard Hardware Sizing

When a washer or nut is identified as **1/2"**, this is the *Nominal size*, meaning the *inside diameter* is 1/2 inch; if a second number is present it represent the *threads per inch*

When bolt or capscrew is identified as **1/2 - 16 x 2"**, this means the *Nominal size*, or *body diameter* is 1/2 inch; the second number represents the *threads per inch* (16 in this example, and the final number is the *body length* of the bolt or screw (in this example 2 inches long).

**The guides and ruler furnished below are designed to help you select the appropriate hardware and tools.**

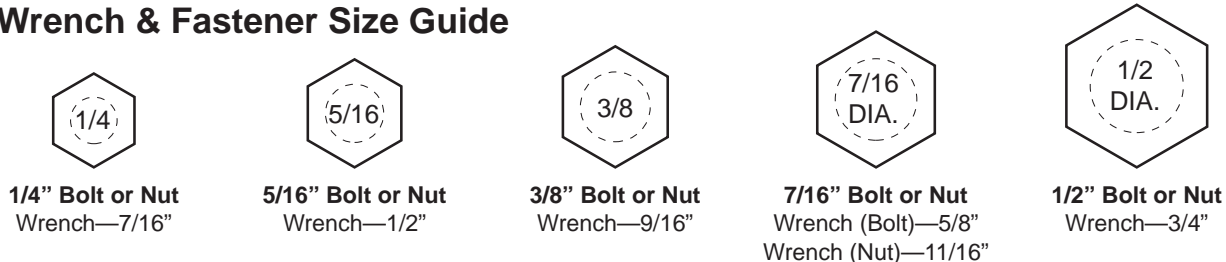


Torque Specification Chart						
FOR STANDARD MACHINE HARDWARE (Tolerance ± 20%)						
Hardware Grade	No Marks SAE Grade 2		SAE Grade 5		SAE Grade 8	
	in/lbs ft/lbs	Nm.	in/lbs ft/lbs	Nm.	in/lbs ft/lbs	Nm.
8-32	19	2.1	30	3.4	41	4.6
8-36	20	2.3	31	3.5	43	4.9
10-24	27	3.1	43	4.9	60	6.8
10-32	31	3.5	49	5.5	68	7.7
1/4-20	66	7.6	8	10.9	12	16.3
1/4-28	76	8.6	10	13.6	14	19.0
5/16-18	11	15.0	17	23.1	25	34.0
5/16-24	12	16.3	19	25.8	27	34.0
3/8-16	20	27.2	30	40.8	45	61.2
3/8-24	23	31.3	35	47.6	50	68.0
7/16-14	30	40.8	50	68.0	70	95.2
7/16-20	35	47.6	55	74.8	80	108.8
1/2-13	50	68.0	75	102.0	110	149.6
1/2-20	55	74.8	90	122.4	120	163.2
9/16-12	65	88.4	110	149.6	150	204.0
9/16-18	75	102.0	120	163.2	170	231.2
5/8-11	90	122.4	150	204.0	220	299.2
5/8-18	100	136	180	244.8	240	326.4
3/4-10	160	217.6	260	353.6	386	525.0
3/4-16	180	244.8	300	408.0	420	571.2
7/8-9	140	190.4	400	544.0	600	816.0
7/8-14	155	210.8	440	598.4	660	897.6
1-8	220	299.2	580	788.8	900	1,244.0
1-12	240	326.4	640	870.4	1,000	1,360.0

### NOTES

- These torque values are to be used for all hardware excluding: locknuts, self-tapping screws, thread forming screws, sheet metal screws and socket head setscrews.
- Recommended seating torque values for locknuts:
  - for prevailing torque locknuts - use 65% of grade 5 torques.
  - for flange whizlock nuts and screws - use 135% of grade 5 torques.
- Unless otherwise noted on assembly drawings, all torque values must meet this specification.

## Wrench & Fastener Size Guide



## SWEEPSTER WARRANTY REGISTRATION

*Thank you for purchasing a Sweepster product.* Warranty protection on this equipment is valid only when completed and signed by customer and dealer and mailed to SWEEPSTER. If you have any questions, please give us a call at 1-800-456-7100 or (734) 996-9116.

**PLEASE PRINT - PRESS HARD MULTIPLE COPIES**

\_\_\_\_\_  
*Purchaser's Name*

\_\_\_\_\_  
*Address*

\_\_\_\_\_  
*City*

\_\_\_\_\_  
*State*

\_\_\_\_\_  
*Zip*

\_\_\_\_\_  
*Phone*

\_\_\_\_\_  
*Model Number*

\_\_\_\_\_  
*Engine Make*

\_\_\_\_\_  
*Date Delivered to Dealer*

\_\_\_\_\_  
*Serial Number*

\_\_\_\_\_  
*Engine Model*

\_\_\_\_\_  
*Date Delivered to Customer*

\_\_\_\_\_  
*Dealer's Name*

\_\_\_\_\_  
*Address*

\_\_\_\_\_  
*City*

\_\_\_\_\_  
*State*

\_\_\_\_\_  
*Zip*

\_\_\_\_\_  
*Phone*

White-Customer Yellow-Dealer Card-Return to Sweepster postage paid

Form: SWR Rev 4/97

1. MATERIAL YOU ARE SWEEPING?  
 Snow  Dirt  General Debris  Thatch  
 Other \_\_\_\_\_

2. MAKE AND MODEL NUMBER OF PRIME MOVER.  
(For attachment sweepers only.) \_\_\_\_\_

3. DID YOU OR YOUR CUSTOMER RECEIVE AN OPERATION/PARTS MANUAL?  Yes  No

4. DID THE UNIT FIT CORRECTLY TO PRIME MOVER?  
 Yes  No Comments \_\_\_\_\_

5. WHY DID YOU PURCHASE A SWEEPSTER? (check one)  
 Quality  Price  Reputation  Simplicity  Prior Use  
 Dealer Referral  Operation  Features  Availability  
 Other \_\_\_\_\_

6. PLEASE RATE THE FOLLOWING (check one)  
Appearance:  Excellent  Good  Poor  
Delivery Time:  Excellent  Good  Poor  
Sales Service:  Excellent  Good  Poor  
Performance:  Excellent  Good  Poor  
Technical Support:  Excellent  Good  Poor

7. SUGGESTIONS/COMMENTS? \_\_\_\_\_  
\_\_\_\_\_  
\_\_\_\_\_



## SWEEPSTER Limited 12 Month Warranty

Thank you for purchasing a Sweepster product. Warranty protection is valid only when this Warranty Registration is completed and signed by the customer and dealer, and mailed to Sweepster. I hereby acknowledge that I have received a copy of the Owners Limited Warranty and I accept the terms therein.

For a period of **one year** from date of delivery of product to the original user, Sweepster, LLC. of Dexter, Michigan warrants each product to be free from manufacturing defects, subject to the limitations contained in this policy.

This warranty does not apply to defect caused, in whole or in part, by unreasonable use while in the possession of the user, including, but not limited to: failure to properly set up product; failure to provide reasonable and necessary maintenance; normal wear; routine tune ups or adjustments; improper handling or accidents; operation at speed or load conditions contrary to published specification; improper or insufficient lubrication; improper storage. This warranty is also not a guarantee that the performance of each product will meet the expectations of the purchaser.

Sweepster, LLC. shall not be liable for consequential damages of any kind, including, but not limited to: consequential labor costs or transportation charges in connection with the replacement or repair of defective parts; lost time or expense which may have accrued because of said defects. In no event shall Sweepster, LLC.'s total liability hereunder exceed the product purchase price.

Sweepster, LLC. makes no warranty with respect to trade accessories or any component or accessory of the product which was not manufactured by Sweepster, Inc. including any purchased components on any kind. These are subject to the warranties of their respective manufacturers. The warranty will be considered void if the product or any part of the product is modified or repaired in any way not expressly authorized by Sweepster, Inc., or if closed components are disassembled prior to return. Closed components include, but are not limited to: gearboxes, hydraulic pumps, motors, cylinders, and actuators.

Our obligation under the warranty is expressly limited, at our option, to the replacement or repair at Sweepster, LLC. of Dexter, Michigan, or at a service facility designated by us, or such part or parts as inspection shall disclosed to have been defective. We are not responsible for unauthorized repairs or replacements. Any implied or statutory warranties, including any warranty of merchantability or fitness for a particular purpose, are expressly limited to the duration of this written warranty. We make no other express or implied warranty, nor is anyone authorized to make any in our behalf. This warranty cannot be extended, broadened, or changed except in writing by an authorized officer of Sweepster, LLC.

## Free Manuals Download Website

<http://myh66.com>

<http://usermanuals.us>

<http://www.somanuals.com>

<http://www.4manuals.cc>

<http://www.manual-lib.com>

<http://www.404manual.com>

<http://www.luxmanual.com>

<http://aubethermostatmanual.com>

Golf course search by state

<http://golfingnear.com>

Email search by domain

<http://emailbydomain.com>

Auto manuals search

<http://auto.somanuals.com>

TV manuals search

<http://tv.somanuals.com>