

Parts Manual for
SNAPPER®

**21" CAST DECK WALK BEHIND MOWER
COMMERCIAL EUROPEAN
SERIES 2**

MODEL
ECLP21602KWV



SNAPPER® McDonough, GA, 30253 U.S.A.

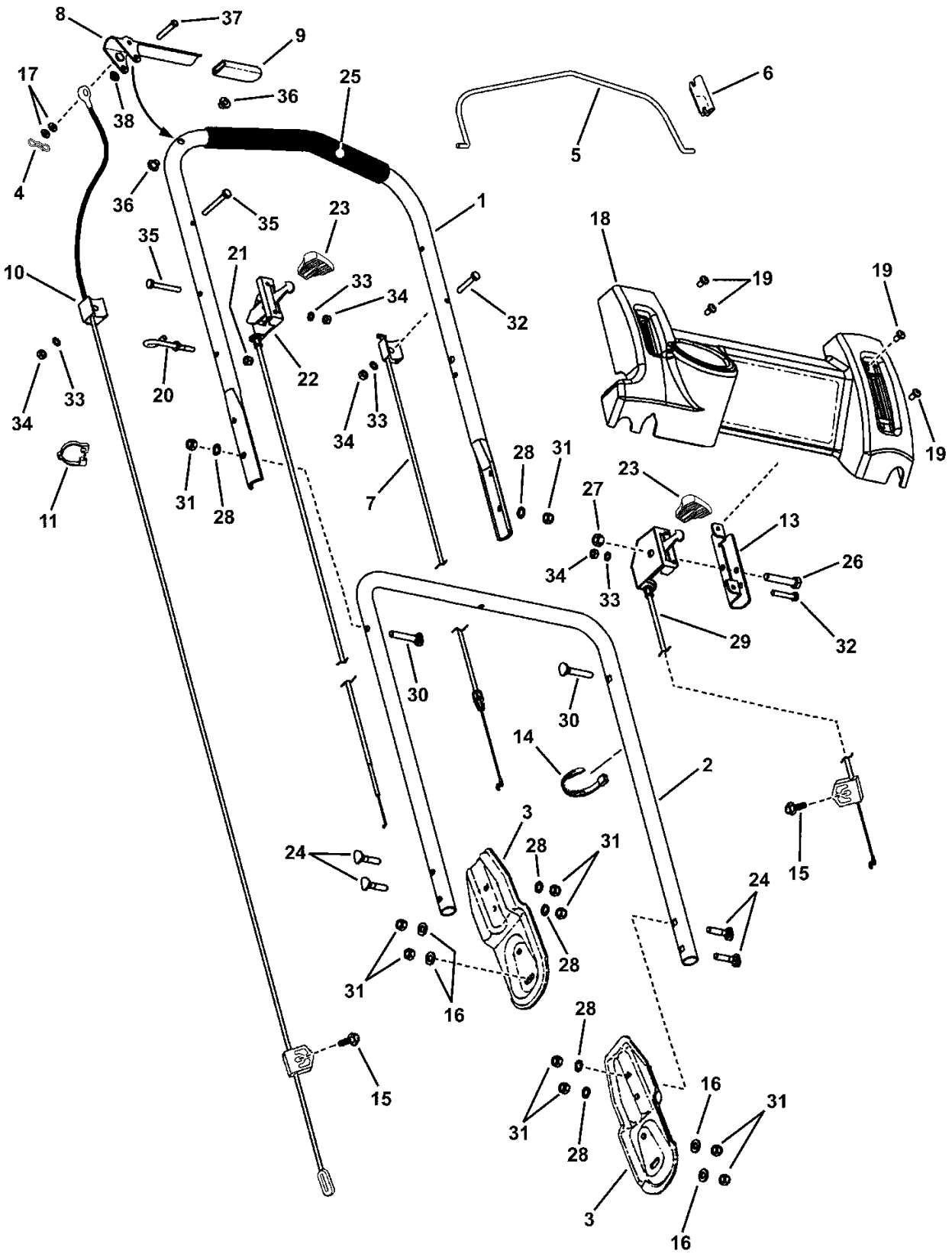
COPYRIGHT © 2005
SNAPPER PRODUCTS, INC.
ALL RIGHTS RESERVED.

Revision 1, 8/11/2005

Manual No. 7006203
TP 400-5061-1-WB-N

PAGE	GROUP
4	HANDLES & CONTROLS
8	ENGINE, CUTTING DECK, BLADE
12	WHEELS, FRONT & REAR
14	TRANSMISSION
16	DECALS
18	ACCESSORIES

HANDLES & CONTROLS

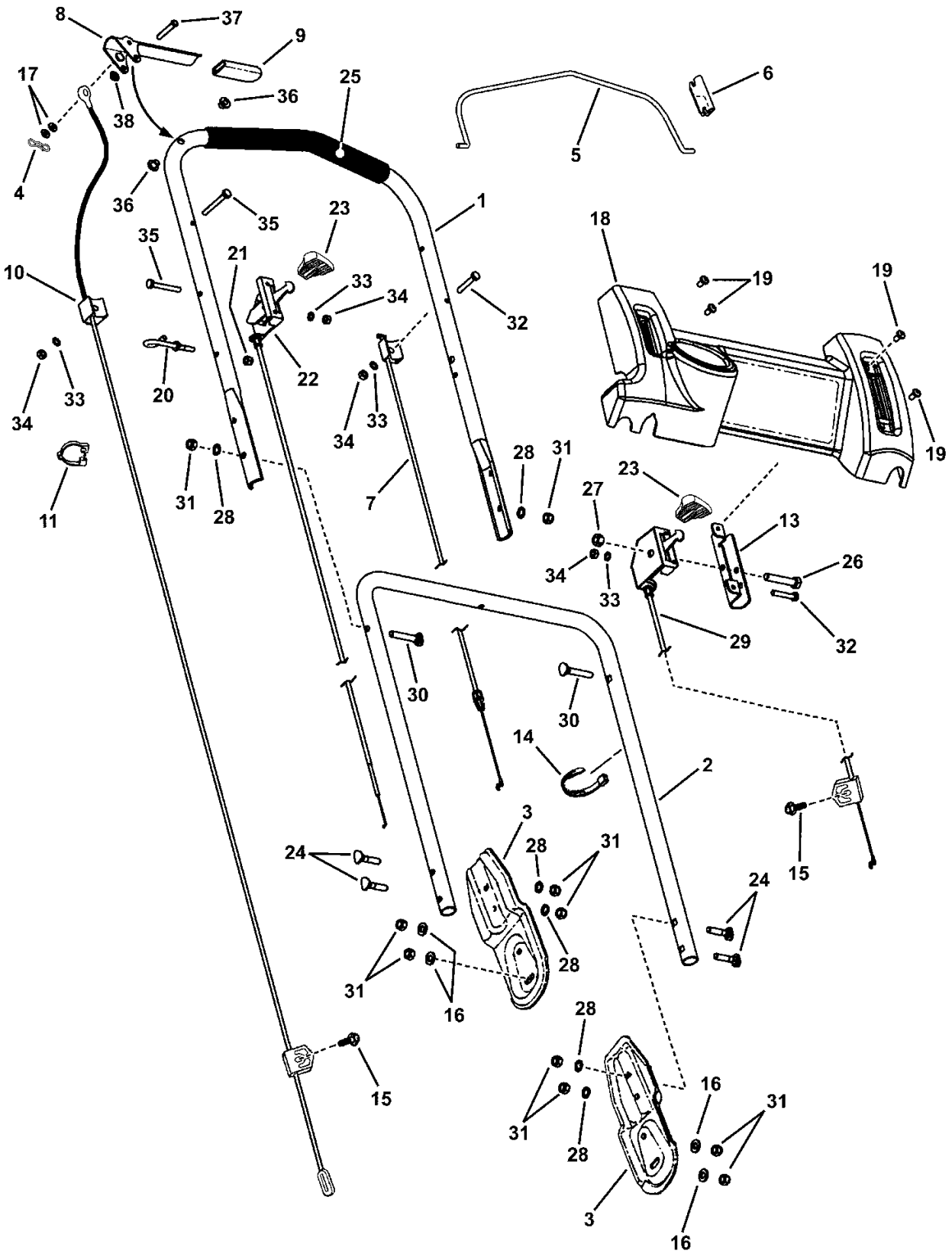


HANDLES & CONTROLS

Item	Part No	Qty	Description	Note
1	7074411	1	HANDLE, Upper	
2	7074156	1	HANDLE, Middle	
3	7034864	2	BRACKET, Handle	
4	7073821	1	COTTER PIN, Bow Tie Locking	
5	7074418	1	BAIL, OPC Control	
6	7034872	1	CLIP, Zone Control	
7	7074141	1	CABLE, Zone Control	
8	7046520	1	ASSEMBLY, Handle Clutch	
9	7028407	1	GRIP, International Symbol	
10	7046518	1	CABLE, Clutch (Adjustable)	
11	7026219	1	CLAMP, 7/8" Double Cable	
12	7012080	1	CABLE-TIE, 7"	<i>not shown</i>
13	7073064	1	BRACKET, Shift	
14	7024641	4	WIRE TIE, 1.29" Long Black	
15	7091075	2	SCREW, #10-24 x 5/8" Slotted Hex Washer Head Self-Tap	
16	7090188	8	WASHER, 11/32" Flat	
17	7091552	2	WASHER, 7/32" Flat	
18	7074140	1	CONTROL PANEL (w/o El. Switch Hole)	
19	7091200	4	SCREW, 1/4-20 x 1/2" Pan Head Self-Tap (Torx)	
20	7028488	1	ROPE GUIDE (1/4-20 threads)	
21	7076978	1	NUT, 1/4-20 Hex Nyloc	
22	7074138	1	THROTTLE CONTROL, 6.0 KWV	
23	7075308	2	THROTTLE KNOB	
24	7091190	6	BOLT, 5/16-18 x 1-1/2" Curved Head Carriage	
25	7023810	1	FOAM GRIP, 18.75"	
26	7091088	2	SCREW, 3/8-16 x 2" Hex Head Self-Tap	
27	7091585	2	NUT, 3/8-16 Hex Center Lock	
28	7090391	6	WASHER, 5/16" Internal Tooth Lock	
29	7029369	1	CONTROL, Speed Select	
30	7091740	2	SCREW, 5/16-18 x 2" Square Neck Curved Head	<i>Was 91189</i>
31	7091298	6	NUT, 5/16-18 Hex Nyloc	
32	7079577	3	SCREW, 1/4-20 x 1-1/2" Hex Head Cap GR 5	
33	7090053	5	WASHER, 1/4" Internal Tooth Lock	<i>Was 91023</i>
34	7091576	5	NUT, 1/4-20 Hex	<i>Was 91100</i>
35	7090505	2	SCREW, 1/4-20 x 2" Hex Head Cap GR 5	
36	7014343	2	BUSHING, .27 x .35 x .4 Flange	
37	7023792	1	PIN, 1/4 x 1-1/2"	

Footnotes:

HANDLES & CONTROLS

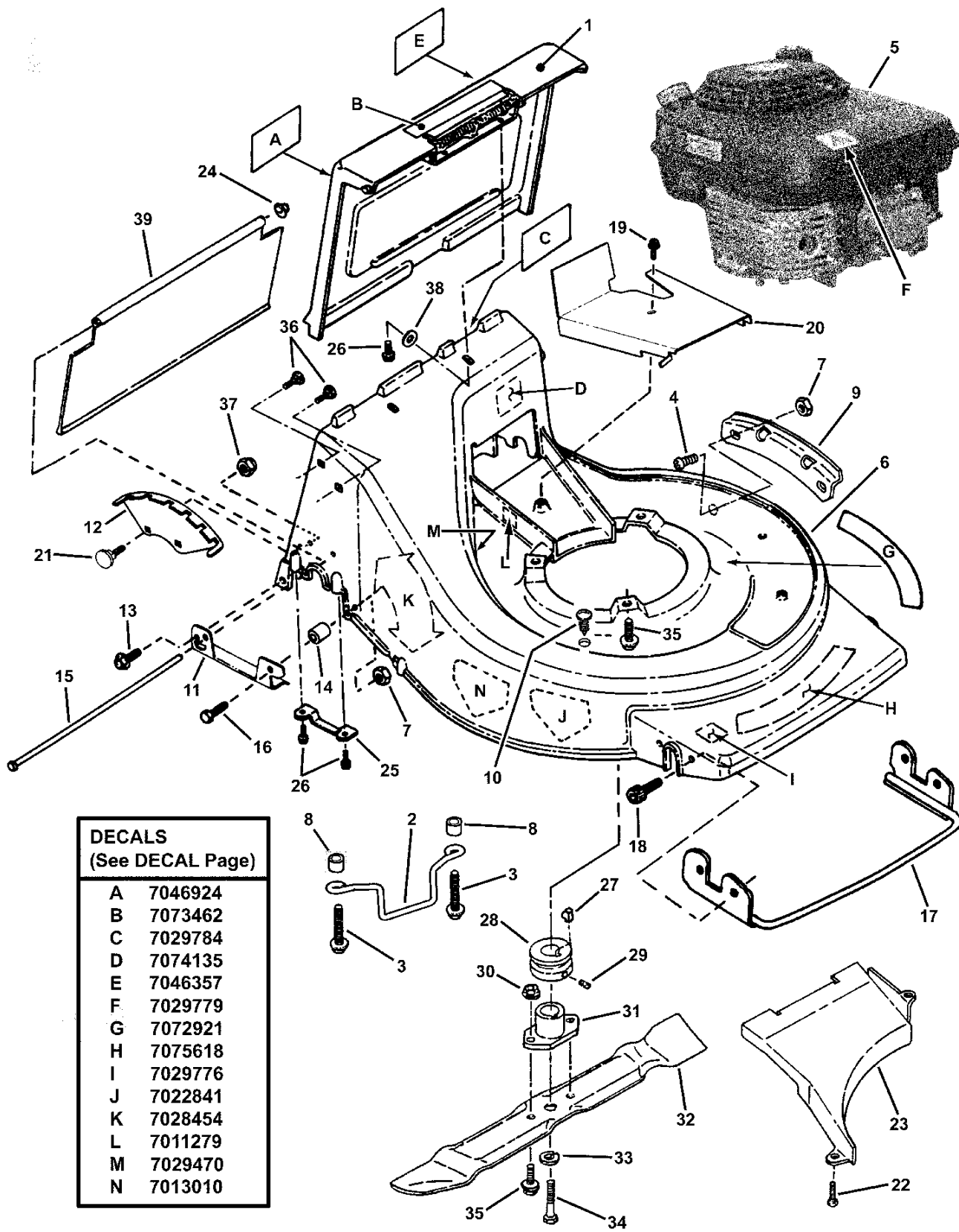


HANGLES & CONTROLS

Item	Part No	Qty	Description	Note
38	7091020	1	PUSHNUT, 1/4"	

Footnotes:

ENGINE, CUTTING DECK, BLADE



DECALS (See DECAL Page)	
A	7046924
B	7073462
C	7029784
D	7074135
E	7046357
F	7029779
G	7072921
H	7075618
I	7029776
J	7022841
K	7028454
L	7011279
M	7029470
N	7013010

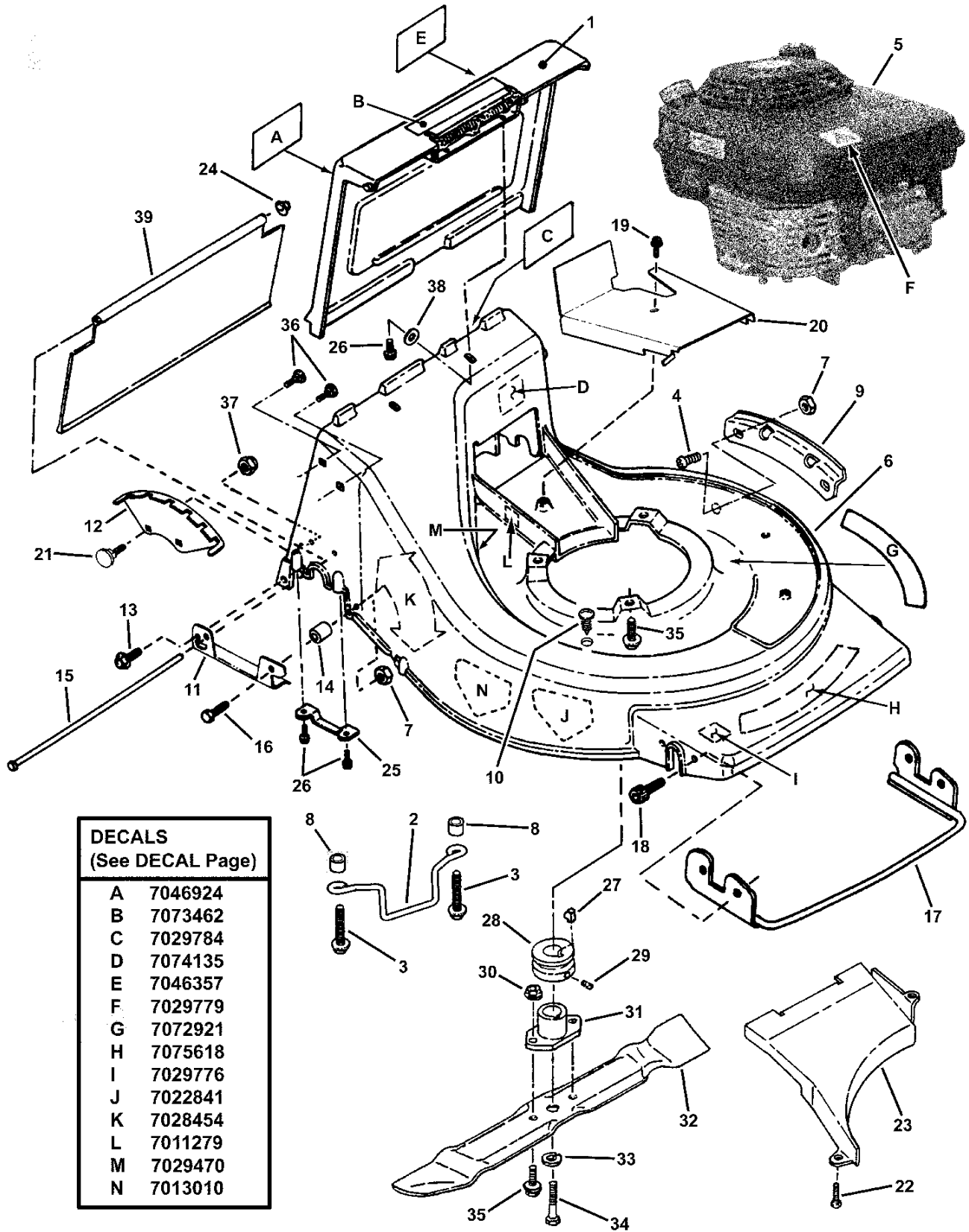
ENGINE, CUTTING DECK, BLADE

Item	Part No	Qty	Description	Note
1	7052881	1	ASSEMBLY, Discharge Door	
2	7072143	1	BELT GUIDE (Wireform)	
3	7091088	2	SCREW, 3/8-16 x 2" Hex Head Self-Tap	
4	7091696	4	SCREW, 1/4-20 x 5/8" Phillips Truss Head Machine	
5	--	1	*ENGINE, 6.0 H.P. Kawasaki OHV, Euro	(Model FJ180V-AS54R)
6	7043888	1	DECK, 21" Cast Aluminum Short (Red)	
7	7091603	6	NUT, 1/4-20 Hex Nyloc	
8	7016719	2	IDLER SPACER	
9	7034734	2	GUARD, Wear	
10	7073293	1	PLUG, Hole (Polyethylene)	
11	7042999	1	BRACKET, R.H. Stiffener w/tab	
--	7043790	1	BRACKET, L.H. Stiffener (not shown)	
12	7034692	1	PLATE, Height Adjust	
13	7091819	2	SCREW, 1/4-20 x 5/8" Hex Washer Face Self-Tap	
14	7042988	2	SPACER, Stiffener	
15	7043808	1	ROD, Trailing Shield Pivot (1/4" Dia.)	
16	7027230	2	SCREW, 1/4-20 x 1" Hex Head Cap GR 5	
17	7041736	1	WELDMENT, Crash Bar	
18	7090999	4	SCREW, 1/4-20 x 5/8" Truss Head (Torx)	
19	7091201	1	SCREW, #10-24 x 1-1/2" Slotted Hex Washer Head Self-Tap	
20	7074124	1	BELT COVER, Commercial Metal B&S	
21	7091711	2	BOLT, #10-24 x 5/8" Flat Head Carriage	
22	7091075	4	SCREW, #10-24 x 5/8" Slotted Hex Washer Head Self-Tap	
23	7041750	1	WELDMENT, Baffle	
24	7091892	1	PUSHNUT, 1/4" Black	
25	7033732	2	SUPPORT, Rear Axle	
26	7091819	6	SCREW, 1/4-20 x 5/8" Hex Washer Face Self-Tap	Was 90362
27	7091214	1	KEY, Hi-Pro #HP506 (Briggs engine)	
28	7015780	1	PULLEY, Traction Drive (25mm x 2-1/8" O.D.)	
29	7092086	1	SET SCREW, 5/16-18 x 1/2" Hex Recess	
30	7091299	2	NUT, 3/8-16 Hex Nyloc	Was 76979
31	7026631	1	HUB, Blade Drive, 25mm Internal Dia.	(with integral key)
32	7026428	1	BLADE, 21" Bagging	
33	7079268	1	WASHER, 3/8" Split Lock (Heavy)	
34	7090483	1	SCREW, 3/8-24 x 1-3/4" Hex Head Cap GR 5	
35	7091304	3	SCREW, 3/8-16 x 1" Hex Head Cap, GR 5	
36	7091714	4	BOLT, 5/16-18 x 1" Round Head Carriage GR 5	

Footnotes:

*NOTE: Purchase engine components directly from engine manufacturer dealer.

ENGINE, CUTTING DECK, BLADE



DECALS (See DECAL Page)	
A	7046924
B	7073462
C	7029784
D	7074135
E	7046357
F	7029779
G	7072921
H	7075618
I	7029776
J	7022841
K	7028454
L	7011279
M	7029470
N	7013010

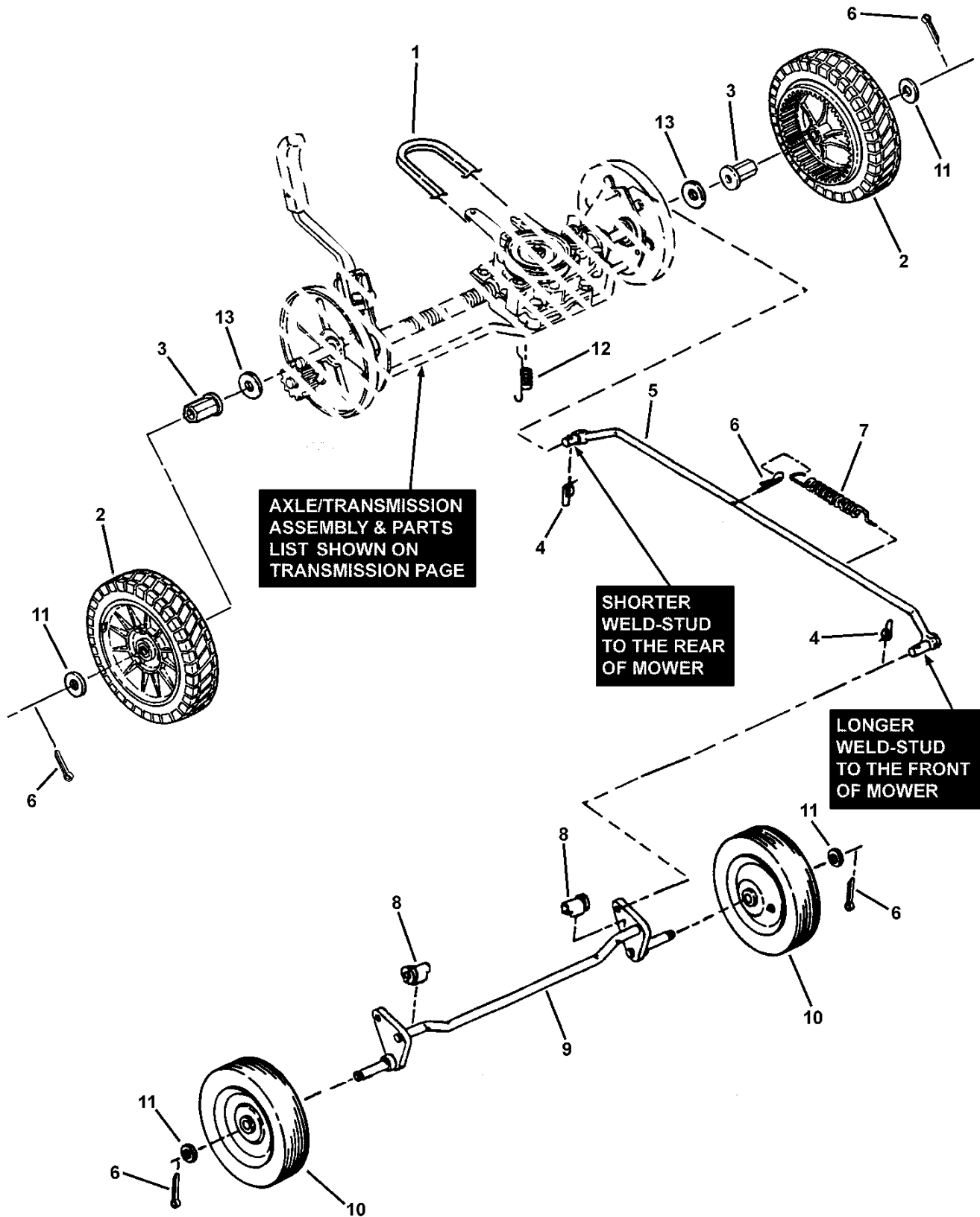
ENGINE, CUTTING DECK, BLADE

Item	Part No	Qty	Description	Note
37	7091267	2	NUT, #10-24 Hex Center Lock	
38	7091294	2	WASHER, .28 x .63 x .06 Flat	<i>was 90055</i>
39	7043870	1	SHIELD, Trailing, Commercial Cast	

Footnotes:

*NOTE: Purchase engine components directly from engine manufacturer dealer.

WHEELS, FRONT & REAR



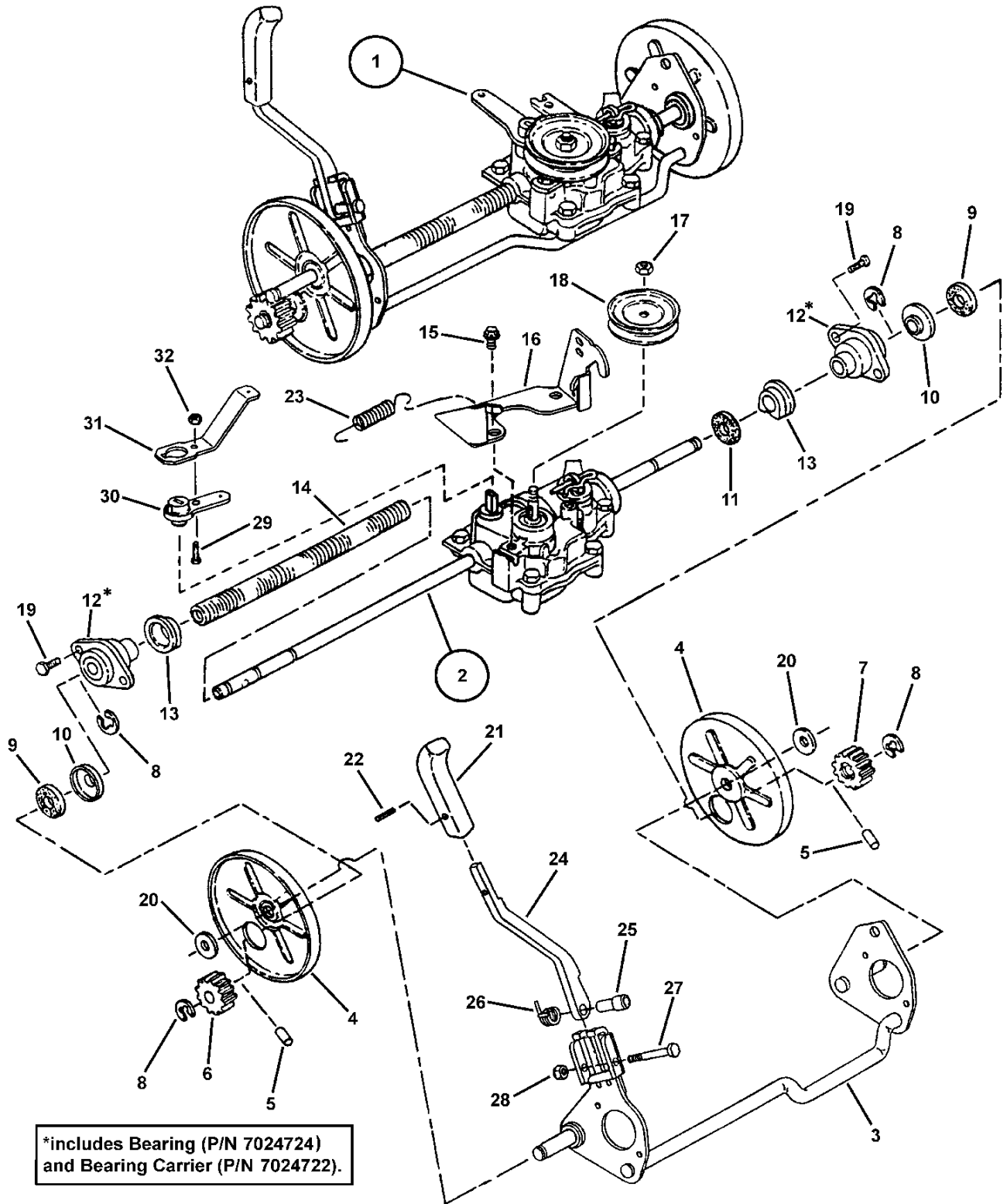
WHEELS, FRONT & REAR

Item	Part No	Qty	Description	Note
1	7029492	1	BELT, Traction Drive, Sect. 3L, 33.20" effective length	<i>engine/transmission</i>
2	7074630	2	WHEEL, 9.0 x 2.0 (Rear Drive)	<i>includes 73618 bushing</i>
3	7073618	1	BUSHING, Wheel (PM)	
4	7091593	2	COTTER PIN, 3/8" Self Locking	
5	7041744	1	WELDMENT, Tie Bar	
6	7091598	5	COTTER PIN, 1/8 x 3/4"	
7	7024751	1	SPRING, Tie Bar	
8	7024558	2	BUSHING, Front Axle	
9	7041739	1	WELDMENT, Front Axle	
10	7042814	2	WHEEL, 8.0 x 2.0 (Front)	
11	7091733	4	WASHER, .5 x 1.0 x .03 Flat	
12	7046522	1	*SPRING, Clutch	
13	7091194	2	*WASHER, 17/32" Flat	

Footnotes:

*NOTE: Also shown on Transmission Page.

TRANSMISSION

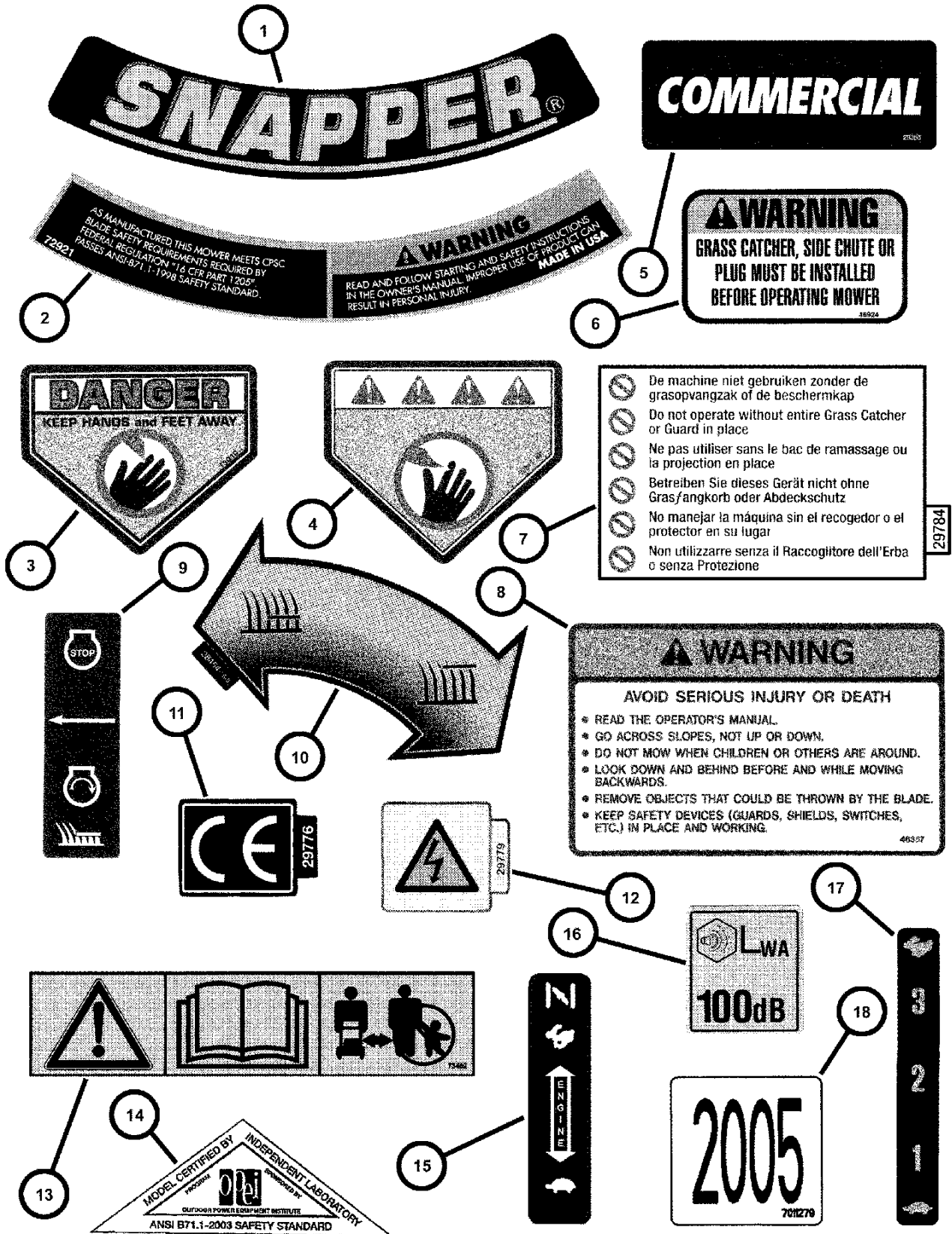


TRANSMISSION

Item	Part No	Qty	Description	Note
1	7074221	1	AXLE/TRANSMISSION ASSY (Incl. items 2-19 & 24-28)	
2	7028813	1	TRANSMISSION ASSY, 3SP Commercial	Waldes # 5133-50
3	7041738	1	WELDMENT, Rear Axle	Waldes # 5133-50
4	7024573	2	SHIELD, Dust	
5	7024749	2	PAWL, 3/16" O.D.	
6	7024549	1	PINION, RH Drive	
7	7024550	1	PINION, LH Drive	
8	7014341	4	RING, External Retaining	
9	7026479	2	SEAL, Pinion (Felt)	
10	7026478	2	RETAINER, Pinion Seal	
11	7024879	1	WASHER, Felt	
12	7025066	2	ASSEMBLY, Bearing Carrier	includes bearing p/n 24724
13	7024715	2	BUSHING, Rear Axle (S/P)	
14	7024748	1	TUBING, 5/8 I.D. Convoluted	
15	7090361	2	SCREW, 5/16-18 x 5/8" Hex Washer Head, Self-Tap	
16	7035325	1	BRACKET, Transmission	
17	7091187	1	NUT, M10 x 1.50 Hex Nyloc	
18	7029494	1	PULLEY, Transmission	
19	7091084	4	SCREW, 1/4-20 x 3/8" Hex Washer Head, Self-Tap	
20	7091194	2	WASHER, 17/32" Flat	
21	7023657	1	KNOB, Height Adjusting Lever	
22	7090844	1	ROLL PIN, 3/16 x 3/4"	
23	7046522	1	SPRING, Clutch	
24	7034776	1	HANDLE, Lift	
25	7028926	1	SPACER, .37 x .5 x .44	
26	7028888	1	SPRING-Torsion Return	
27	7090505	1	SCREW, 1/4-20 x 2" Hex Head Cap GR 5	
28	7076978	1	NUT, 1/4-20 Hex Nyloc	
29	7091075	1	*SCREW, #10-24 x 5/8" Slotted Hex Washer Head Self-Tap	
30	--	--	ARM, Shift (part of 28813)	was 35541
31	7035540	1	*LEVER, Transmission (Metal)	
32	7091267	2	*NUT, #10-24 Hex Center Lock	

Footnotes:

*NOTE: These three parts make up 54114, Transmission Lever Assembly.

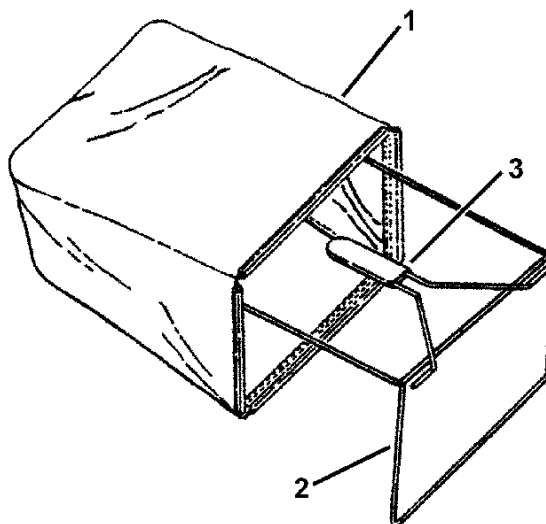


DECALS

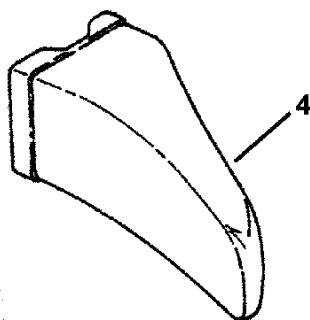
Item	Part No	Qty	Description	Note
1	7075618	1	DECAL, SNAPPER	
2	7072921	1	DECAL, Warning (Deck)	
3	7013010	1	DECAL, Danger (Keep Hands and Feet Away)	
4	7022841	1	DECAL, Warning (International Symbol)	
5	7029366	1	DECAL, Commercial, Walk-Behind Mower	
6	7046924	1	DECAL, Chute Deflector (Cast)	
7	7029784	2	DECAL, Chute/International Warning	
8	7046357	1	DECAL, Warning 1997	
9	7029782	1	DECAL, OPC Bail International Symbol	
10	7028454	1	DECAL, Height Control Instruction (Euro)	
11	7029776	1	DECAL, European Community (CE)	
12	7029779	1	DECAL, Spark Plug International Symbol	
13	7073462	1	DECAL, Caution Symbols	
14	7078022	1	DECAL, OPEI Walk/Ride	
15	7075524	1	DECAL, Throttle Control, KVV	
16	7074135	1	DECAL, Noise	
17	7075475	1	DECAL, Speed Shift- ELP, ECLP	
18	7011279	1	DECAL, 2005 Year of Manufacture	

Footnotes:

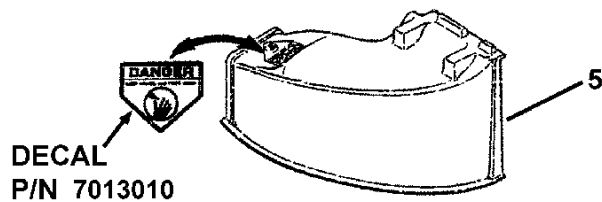
GRASS CATCHER PARTS



MULCHING PARTS



DISCHARGING PARTS



ACCESSORIES

Item	Part No	Qty	Description	Note
1	7028445	1	GRASS BAG, SNAPPER Platinum Series	<i>GRASS CATCHER PARTS</i>
2	49915	1	ASSEMBLY, Catcher Frame	<i>Was 53176 (Now 44915 + 26421)</i>
3	7026421	1	GRIP, Rectangular (Black)	<i>GRASS CATCHER PARTS</i>
4	7026390	1	PLUG, Mulching	<i>MULCHING PARTS</i>
5	7026714	1	CHUTE, Side Discharge (incl. WARNING Decal, p/n 13010)	<i>DISCHARGING PARTS</i>

Footnotes:

Parts Manual for

SNAPPER®

21" CAST DECK WALK BEHIND MOWER COMMERCIAL EUROPEAN SERIES 2

IT IS THE POLICY OF SNAPPER TO IMPROVE ITS PRODUCTS
WHENEVER IT IS POSSIBLE AND PRACTICAL TO DO SO. WE
RESERVE THE RIGHT TO MAKE CHANGES OR ADD IMPROVEMENTS
AT ANY TIME WITHOUT INCURRING ANY OBLIGATION TO MAKE
SUCH CHANGES ON PRODUCTS MANUFACTURED PREVIOUSLY.

SNAPPER® McDonough, GA, 30253 U.S.A.

Free Manuals Download Website

<http://myh66.com>

<http://usermanuals.us>

<http://www.somanuals.com>

<http://www.4manuals.cc>

<http://www.manual-lib.com>

<http://www.404manual.com>

<http://www.luxmanual.com>

<http://aubethermostatmanual.com>

Golf course search by state

<http://golfingnear.com>

Email search by domain

<http://emailbydomain.com>

Auto manuals search

<http://auto.somanuals.com>

TV manuals search

<http://tv.somanuals.com>