

Installation Instructions

Light Kit

Part No. 1695295

For Axion and 150Z Zero Turn Models

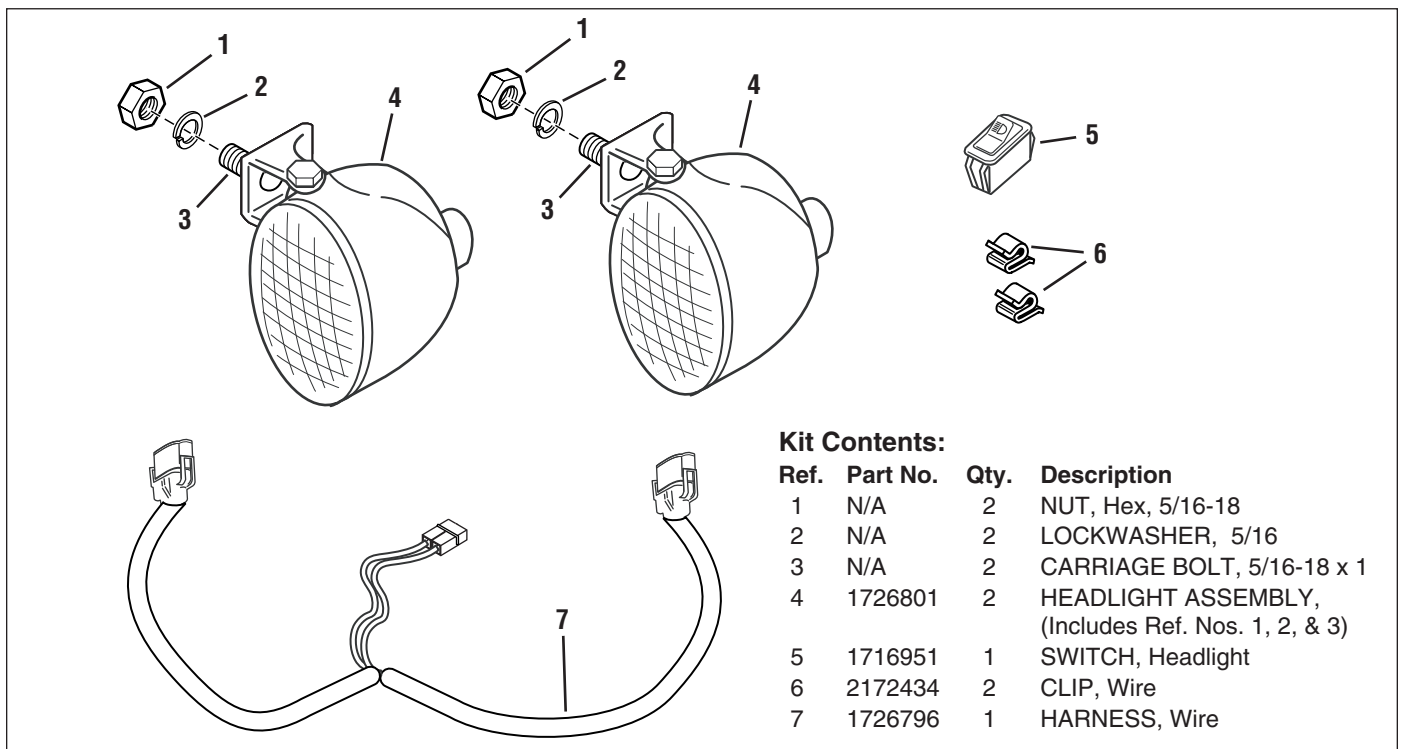


Figure 1. Contents

WARNING

Before beginning any service work turn off the PTO, set the parking brake, turn off the ignition, remove the key, and disconnect the spark plug wire(s).

INSTALLATION

1. Remove 1/4-20 x 5/8 capscrews (A, Figure 2) and cover (B).
2. Install light assembly (F) and secure with 5/16 lockwasher (D) and 5/16-18 nut (C).
3. Reinstall cover (B) and secure with 1/4-20 capscrews (A).
4. Repeat steps 1 through 3 for other side of unit.

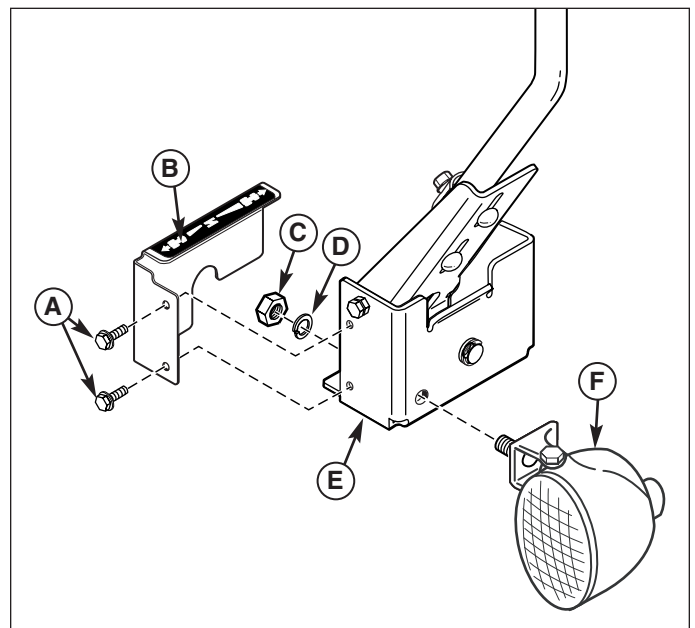


Figure 2. Light Installation

- A. Capscrews, 1/4-20 x 5/8
- B. Cover
- C. Nut, 5/16-18
- D. Lockwasher, 5/16
- E. Bracket
- F. Light Assembly

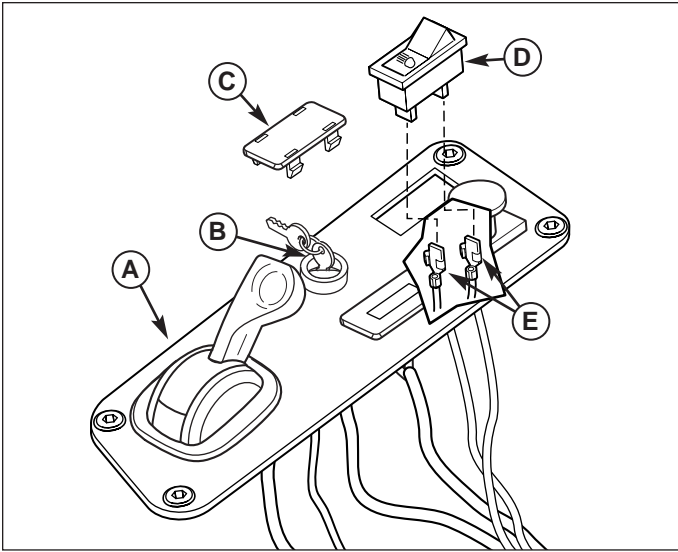


Figure 3. Switch Installation

- A. Control Panel**
- B. Key(s)**
- C. Cover Plug**
- D. Switch, Headlight**
- E. Wires, Red w/Blue and Green w/Black**

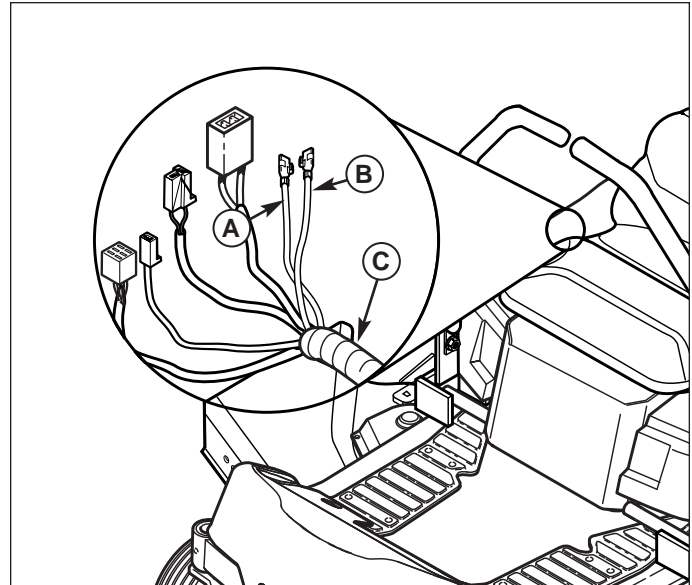


Figure 4. Switch Wire Connections

- A. Wire, Red w/Blue**
- B. Wire, Green w/Black**
- C. Wire Harness, Main**

5. Remove key(s) (B, Figure 3) from control panel (A).
6. Lift seat to gain access to engine compartment.
7. Remove and discard cover plug (C, Figure 3) from control panel (A).
8. Install switch (D, Figure 3) into hole in control panel (A) with the icon in the direction as shown. Make sure the switch is properly seated.
9. Locate a red w/blue wire (A, Figure 4) and green w/black wire (B) taped to the main wire harness (C). Remove tape securing the wires to harness.
10. Plug wires (E, Figure 3) into the terminals on switch (D). Either Wire may be connected to either terminal.
11. Locate accessory connector (B, Figure 5) in the main wire harness (A) located on the left side of engine compartment.
12. Connect the light harness connector (C, Figure 5) to the accessory connector (B). Make sure the connectors are joined completely.

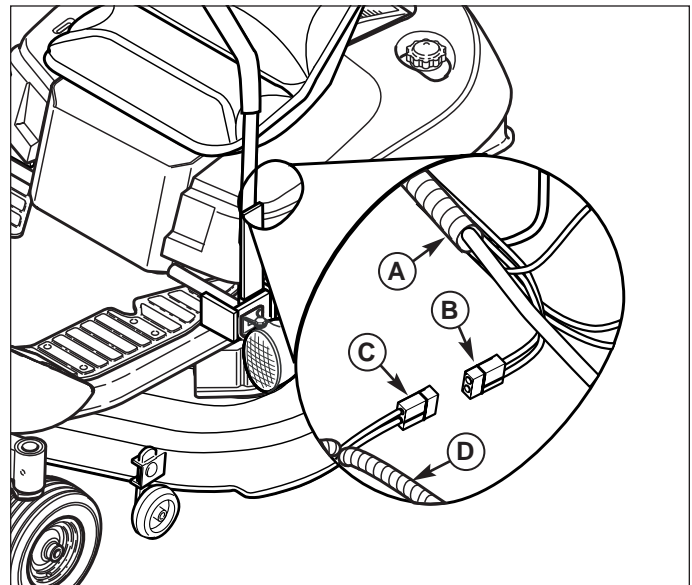


Figure 5. Main Power Wire Connections

- A. Main Wire Harness**
- B. Connector, Accessory, Main Harness**
- C. Connector, Light Harness**
- D. Wire harness, Light Kit**

Note: The side of the headlight wire harness with the ribbed plastic cover (C, Figure 6) connects to the left side light. The side of the headlight wire harness with the braided cover goes to the right side light.

13. Connect harness plug (B, Figure 6) to the back of the headlight (A). Make sure the connector is fully seated into the light.
14. Slide wire clip (D) onto the back side of bracket (E) as shown. Push down to secure.
15. Slide headlight wire harness (C) into wire clip (D). Pull slack out of headlight wire harness (C) toward engine compartment. Route wires so they do not contact hot or moving components.
16. Repeat step 13, 14 & 15 on the other side of unit.
17. Lower seat to normal operating position.
18. Operate control levers to be sure wires, clips and lights do not make contact with levers. If so, readjust components so there is no interference.
19. Reconnect spark plug.

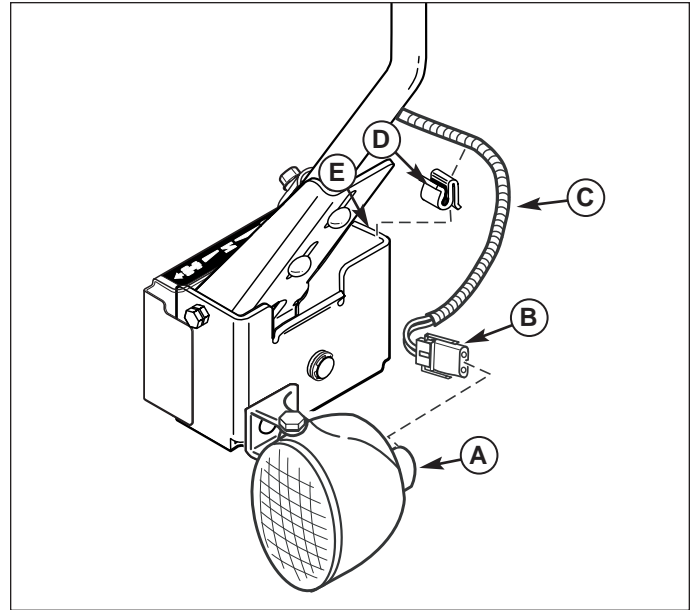


Figure 6. Light Connection

- A. Light**
- B. Harness Plug**
- C. Headlight Wire Harness, w/Ribbed Plastic Cover**
- D. Wire Clip**
- E. Bracket**

OPERATION

1. Start the unit using normal procedures. After the unit has warmed up and is operating at full throttle the lights may be turned on.
2. Turn the lights off before turning off the unit. If lights are left on with out running the unit they will drain the battery.

Note: The headlights may dim if the RPM's of the engine become to low.

Free Manuals Download Website

<http://myh66.com>

<http://usermanuals.us>

<http://www.somanuals.com>

<http://www.4manuals.cc>

<http://www.manual-lib.com>

<http://www.404manual.com>

<http://www.luxmanual.com>

<http://aubethermostatmanual.com>

Golf course search by state

<http://golfingnear.com>

Email search by domain

<http://emailbydomain.com>

Auto manuals search

<http://auto.somanuals.com>

TV manuals search

<http://tv.somanuals.com>