

SNAPPER™

2450 PSI Pressure Washer

Illustrated Parts List



Snapper™ is a licensed trademark of Briggs & Stratton Power Products.

Snapper™ se usa abajo licencia a Briggs & Stratton Power Products.

Questions? Help is just a moment away!

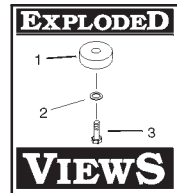
Preguntas? La ayuda es justa un momento lejos!

Call: **Pressure Washer Helpline - 1-800-317-7833** M-F 8-5 CT

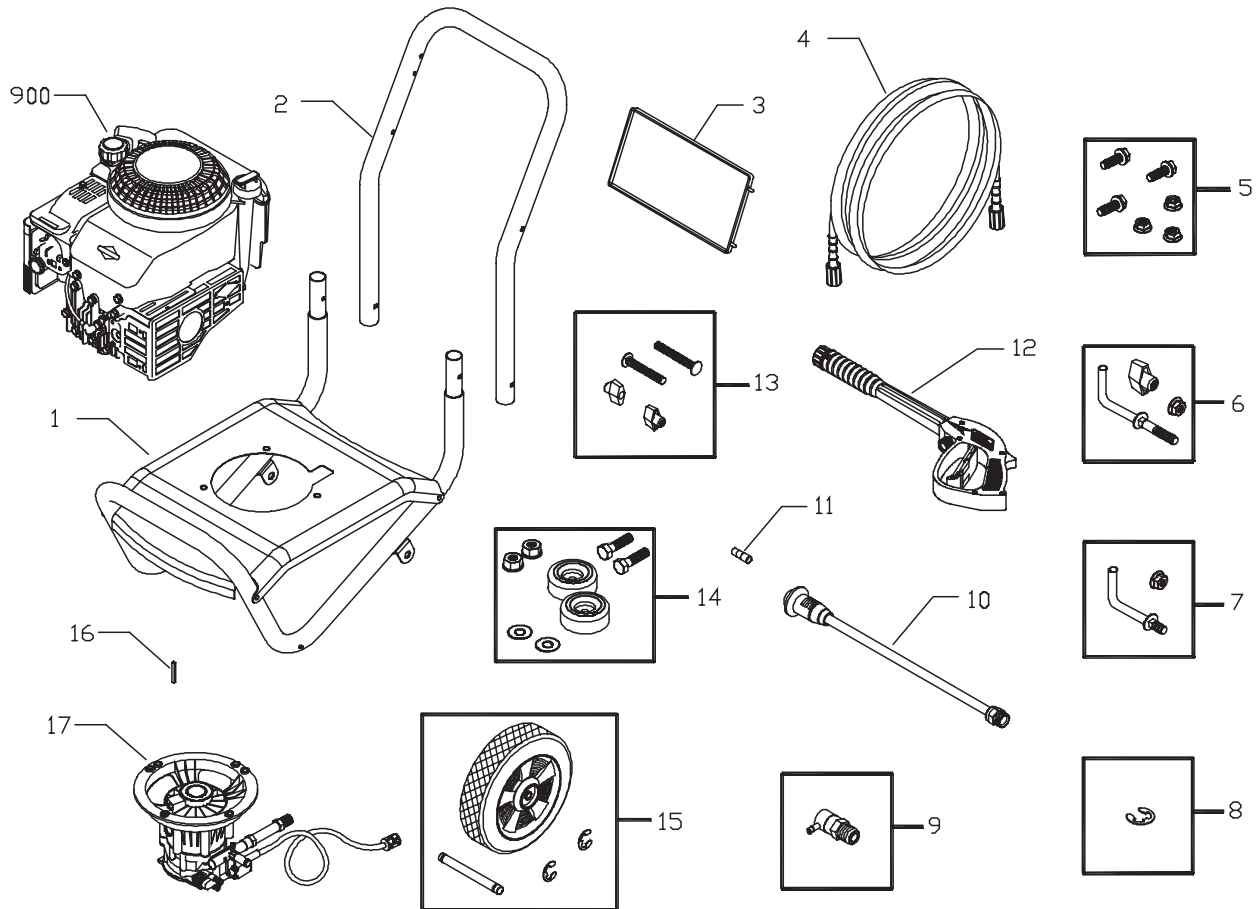
Llame: **Línea Directa del Lavador a Presión - 1-800-317-7833** M-F 8-5 CT

BRIGGS & STRATTON POWER PRODUCTS GROUP, LLC
JEFFERSON, WISCONSIN, U.S.A.

Model No. 020229 (2450 PSI Pressure Washer) Manual No. 195806A Revision I (01/17/2005)



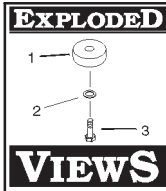
EXPLODED VIEW AND PARTS LIST - MAIN UNIT



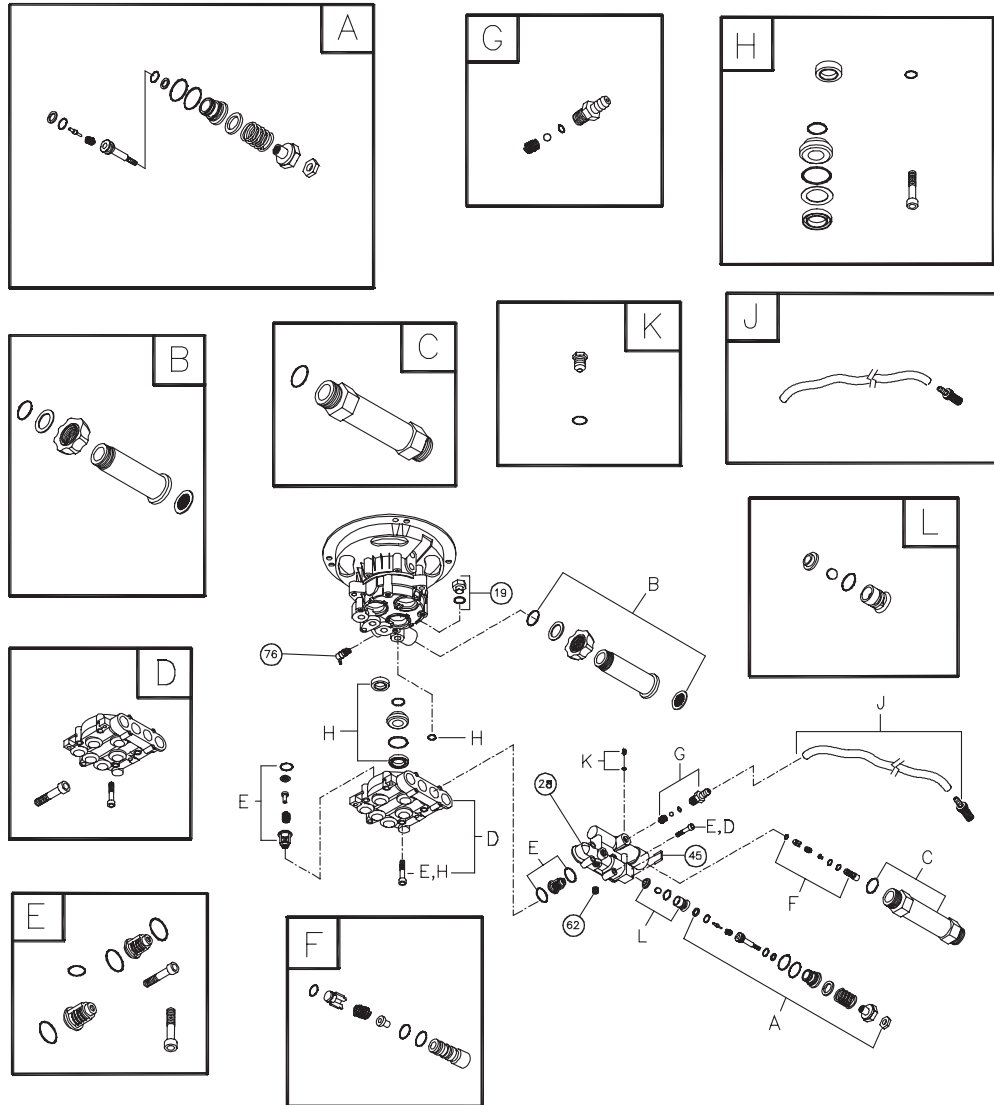
Item	Part #	Description	Item	Part #	Description
1	195339GS	ASSY, Base	10	188792HGS	WAND, Adjustable Nozzle
2	B194718GS	HANDLE	11	21760GS	ORIFICE
3	195802GS	ASSY, Billboard with Decal	12	193482GS	GUN
4	196006GS	HOSE	13	B2203GS	KIT, Handle Connector
5	192645GS	KIT, Pump Mounting Hardware	14	192310GS	KIT, Vibration Mount
6	194264GS	KIT, Hook, Handle	15	194255GS	KIT, Wheel
7	192309GS	KIT, Hook, Base	16	23139GS	KEY
8	192050GS	KIT, E-Ring	17	194216GS	ASSY, Pump (see page 3)
9	194298GS	VALVE, Thermal Relief	900	NSP	ENGINE

Items Not Illustrated:

Part #	Description
195806GS	MANUAL, Owners
MS6847	MANUAL, Engine
194256GS	KIT, Tag, Warning w/Clip
BB3061BGS	OIL, Engine



EXPLODED VIEW AND PARTS LIST - PUMP



Item	Part #	Description
19	190571GS	CAP, Oil
28	190627GS	MANIFOLD
45	190578GS	PIN
62	190581GS	CAP, 1/8
76	194298GS	THERMAL RELIEF
77	190586GS	OIL BOTTLE (not shown)
A	190594GS	KIT, UNLOADER STEM
B	190632GS	KIT, WATER INLET, ALUM
C	190634GS	KIT, OUTLET, ALUM
D	193808GS	KIT, HEAD BRASS

Item	Part #	Description
E	193806GS	KIT, CHECK VALVES
F	190592GS	KIT, INLET CHECK
G	190593GS	KIT, CHEMICAL INJECTION
H	193807GS	KIT, SEAL SET
J	189971GS	KIT, CHEMICAL HOSE
K	193971GS	KIT, PIPE FITTING
L	193972GS	KIT, UNLOADER SEAT

NOTE: Item letters A - L are service kits and include all parts shown within the box.

Free Manuals Download Website

<http://myh66.com>

<http://usermanuals.us>

<http://www.somanuals.com>

<http://www.4manuals.cc>

<http://www.manual-lib.com>

<http://www.404manual.com>

<http://www.luxmanual.com>

<http://aubethermostatmanual.com>

Golf course search by state

<http://golfingnear.com>

Email search by domain

<http://emailbydomain.com>

Auto manuals search

<http://auto.somanuals.com>

TV manuals search

<http://tv.somanuals.com>