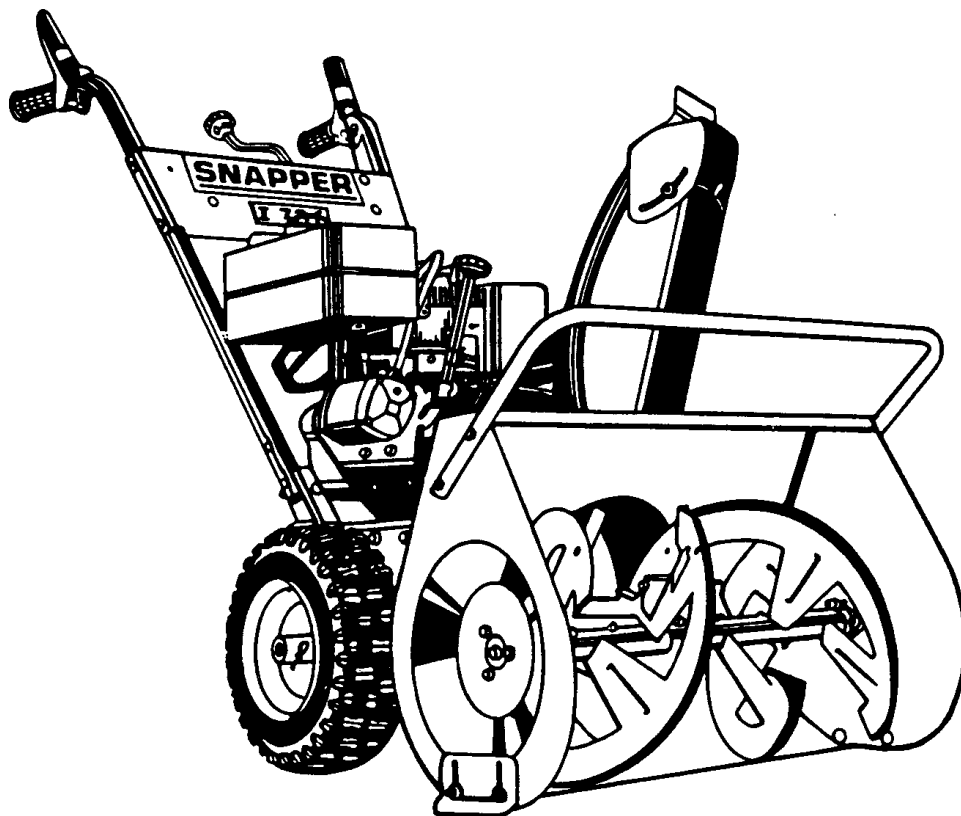


Parts Manual for
SNAPPER[®]

**TWO-STAGE
INTERMEDIATE FRAME
SNOW THROWER
SERIES 4**



MODELS	
I55224	EI55224
I7244	EI7244

IT IS THE POLICY OF SNAPPER TO IMPROVE ITS PRODUCTS WHENEVER IT IS POSSIBLE AND PRACTICAL TO DO SO. WE RESERVE THE RIGHT TO MAKE CHANGES OR ADD IMPROVEMENTS AT ANY TIME WITHOUT INCURRING ANY OBLIGATION TO MAKE SUCH CHANGES ON PRODUCTS MANUFACTURED PREVIOUSLY.

SNAPPER McDonough, GA., 30253 U.S.A.

COPYRIGHT © 2002
SNAPPER INC.
ALL RIGHTS RESERVED

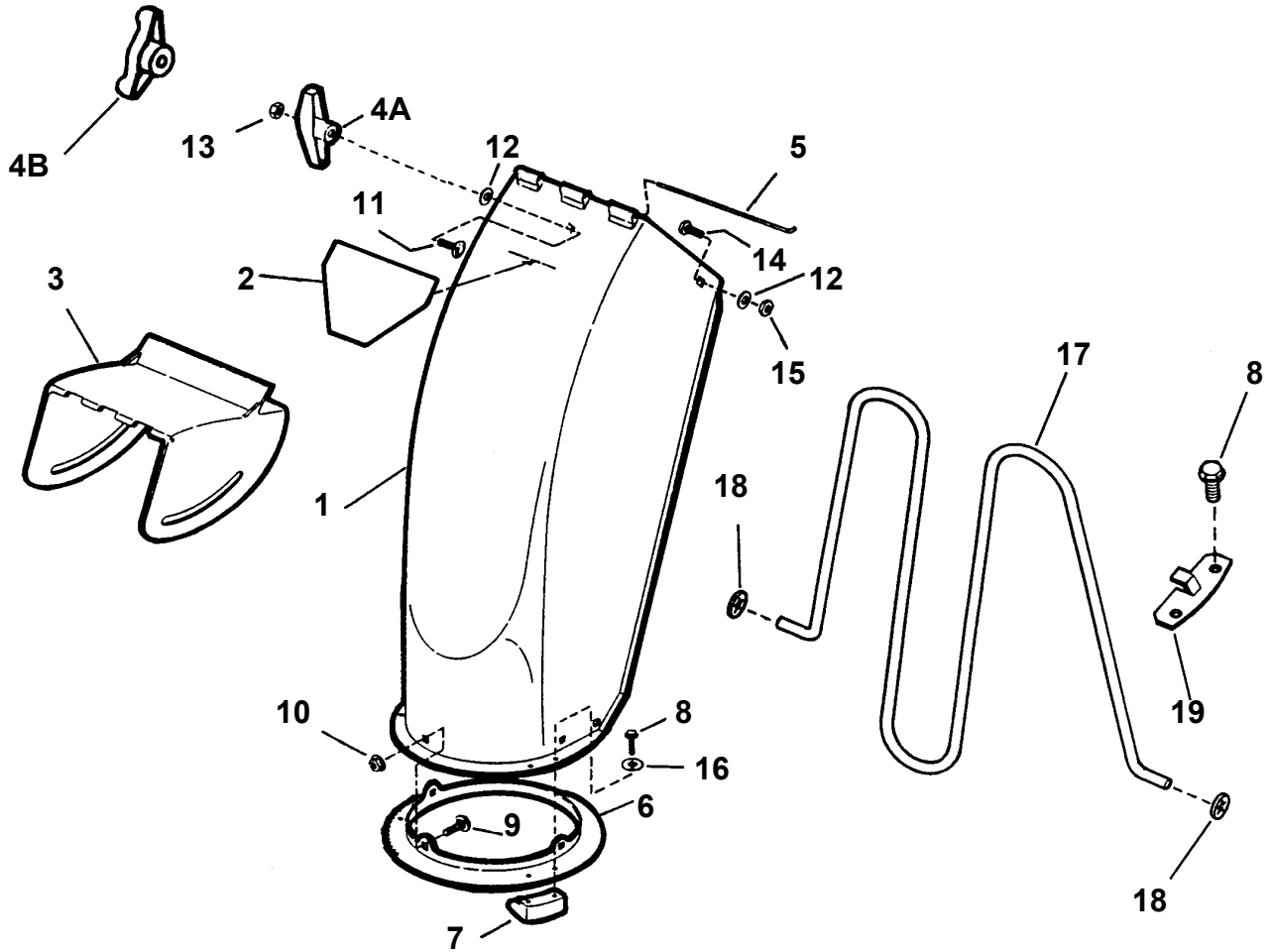
(Rev. 2, 6/30/02)

MANUAL No. 06068

CONTENTS

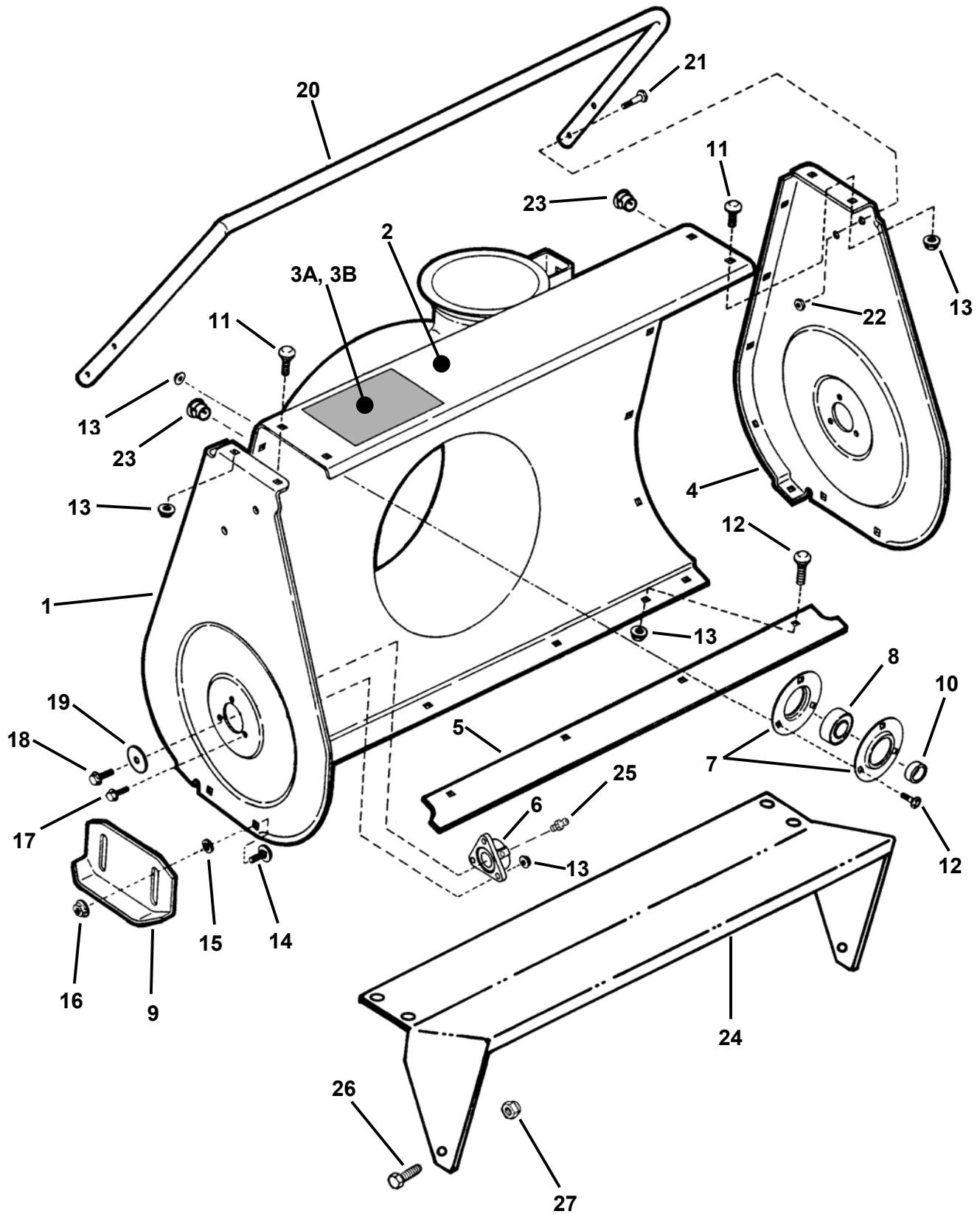
GROUP	PAGE
DISCHARGE CHUTE	3
COLLECTOR HOUSING	4, 5
AUGERS, IMPELLER, GEAR CASE, SHAFT	6, 7
CHUTE CRANK CONTROL	8, 9
HANDLES (CONVENTIONAL TYPE).....	10, 11
HANDLES (SINGLE HANDLE TYPE)	12, 13
FRAME, TRACTION DRIVE	14, 15
ENGINE, PULLEYS, IDLER, CLUTCH SYSTEM.....	16, 17
CHAIN CASE	18, 19
WHEELS.....	20
ACCESSORIES	21
DECALS	22, 23

DISCHARGE CHUTE



ITEM	PART NO.	DESCRIPTION
1	5-3411	ASSEMBLY, Discharge Chute (Includes Item 2)
2	2-4773	DECAL, Danger
2A	2-8700	DECAL, Read Manual (Euro)
3	2-8184	DEFLECTOR, Discharge Chute
4A	1-6324	T-KNOB (Plastic)
4B	3-5744	T-KNOB (w/5/16-18 insert)
5	2-8253	PIN, Hinge
6	3-8205	RING, Chute
7	1-1938	RETAINER (Chute Ring to Housing) (3)
8	9-1075	SCREW, #10-24 x 5/8" Hex Washer Self-Tapping (6)
9	9-1077	BOLT, 5/16-18 x 5/8" Square Neck Carriage, Grade 5 (3)
10	9-1070	NUT, 5/16-18 Hex Flange Lock, Grade 5 (3)
11	9-1097	BOLT, 5/16-18 x 3/4" Square Neck Carriage, Grade 5
12	9-1076	WASHER, 5/16 Flat (2)
13	9-0196	NUT, 5/16-18 Hex, Grade B or 5
14	9-1021	SCREW, 5/16-24 x 3/4" Hex Head Cap, Grade 5
15	9-1074	NUT, 5/16-24 Hex Center Lock, Grade B
16	9-1552	WASHER, 7/32 Flat (6)
17	1-9692	WIRE, Safety (Euro)
18	2-3673	PUSH-ON Fastener, .5/32" Dia. (Euro) (2)
19	3-2559	RETAINER, Safety Wire (Euro)

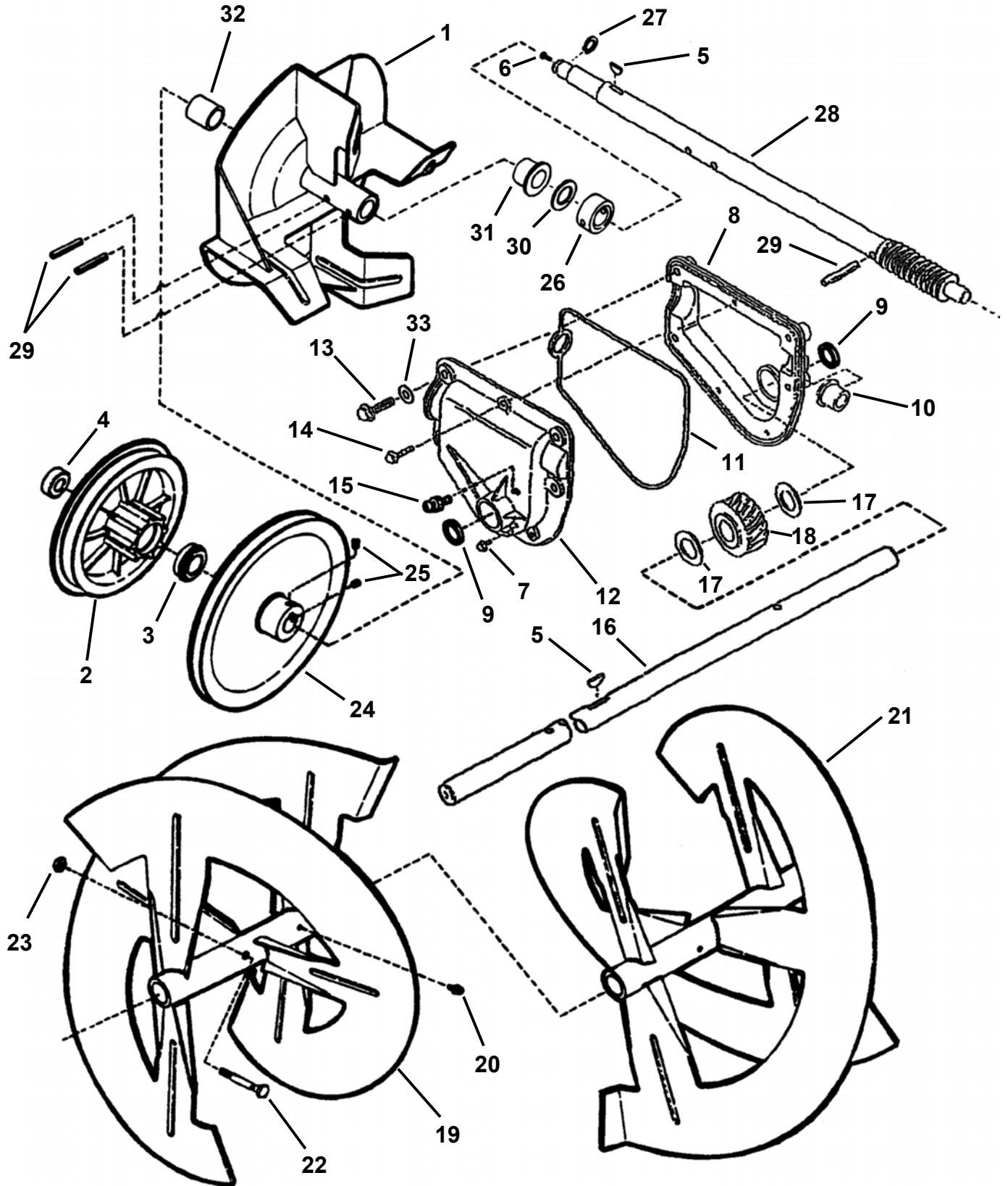
COLLECTOR HOUSING (3 Piece Bolted)



COLLECTOR HOUSING (3 Piece Bolted)

ITEM	PART NO.	DESCRIPTION
1	3-4285	PLATE, Right Side
-	3-4288	PLATE, Right Side (I7244 & EI7244 Models)
2	5-3412	ASSEMBLY, 22" Blower Housing (I55224 & EI55224 Models) (Includes Item 3B)
-	5-3622	ASSEMBLY, 24" Blower Housing (I7244 & EI7244 Models) (Includes Item 3A)
3A	2-8280	DECAL, Foot Danger
3B	1-6578	DECAL, Danger (Collector)
4	3-4284	PLATE, Left Side
-	2-8231	PLATE, Left Side (I7244 & EI7244 Models)
5	3-3298	BLADE, Scraper (I55224 & EI55224 Models)
-	3-6163	BLADE, Scraper (I7244 & EI7244 Models)
6	2-8188	BEARING, Auger Shaft (I55224 & EI55224 Models) (2)
-	1-8736	BEARING, Auger Shaft (I7244 & EI7244 Models) (2)
7	3-2455	HOUSING, Bearing (2)
8	1-4608	BEARING, Ball
9	3-7982	SHOE, Skid (2)
10	1-7865	SPACER, 3/4 x 1/4 x 1"
11	9-0999	SCREW, 1/4-20 x 5/8" Self-Tapping (Truss Head Torx) (14)
12	9-0666	BOLT, 1/4-20 x 5/8" Square Neck Carriage, Grade 5 (7)
13	9-1065	NUT, 1/4-20 Hex Flange Lock (13)
14	9-0799	BOLT, 5/16-18 x 5/8" Short Neck Carriage, Grade 5 (4)
15	3-2070	WASHER, 5/16 Flat (4)
16	9-1070	NUT, 5/16-18 Hex Flange Lock (4)
17	9-0699	BOLT, 1/4-20 x 3/4" Hex Flange Lock, Grade 5 (6)
18	9-0361	SCREW, 5/16-18 x 5/8" Hex Washer Self-Tap (2)
19	1-6314	WASHER, 21/64" Flat (2)
20	3-8201	DRIFT-CUTTER (I55224 & EI55224 Models)
--	3-8230	DRIFT-CUTTER (I7244 & EI7244 Models)
21	9-1059	SCREW, 1/4-20 x 1" Hex Head Cap, Grade 5 (4)
22	9-1099	NUT, 1/4-20 Hex Center Lock (4)
23	4-2894	PLUG, Dome 3/16" Diameter (2)
24	3-4431	ADAPTER, Housing (22")
--	3-4432	ADAPTER, Housing (24")
25	1-0817	FITTING, Lube (2)
26	9-0071	SCREW, 1/4-20 x 1/2" Hex Head Cap, Grade 5 (2)
27	9-1603	NUT, 1/4-20 Hex Nyloc (2)

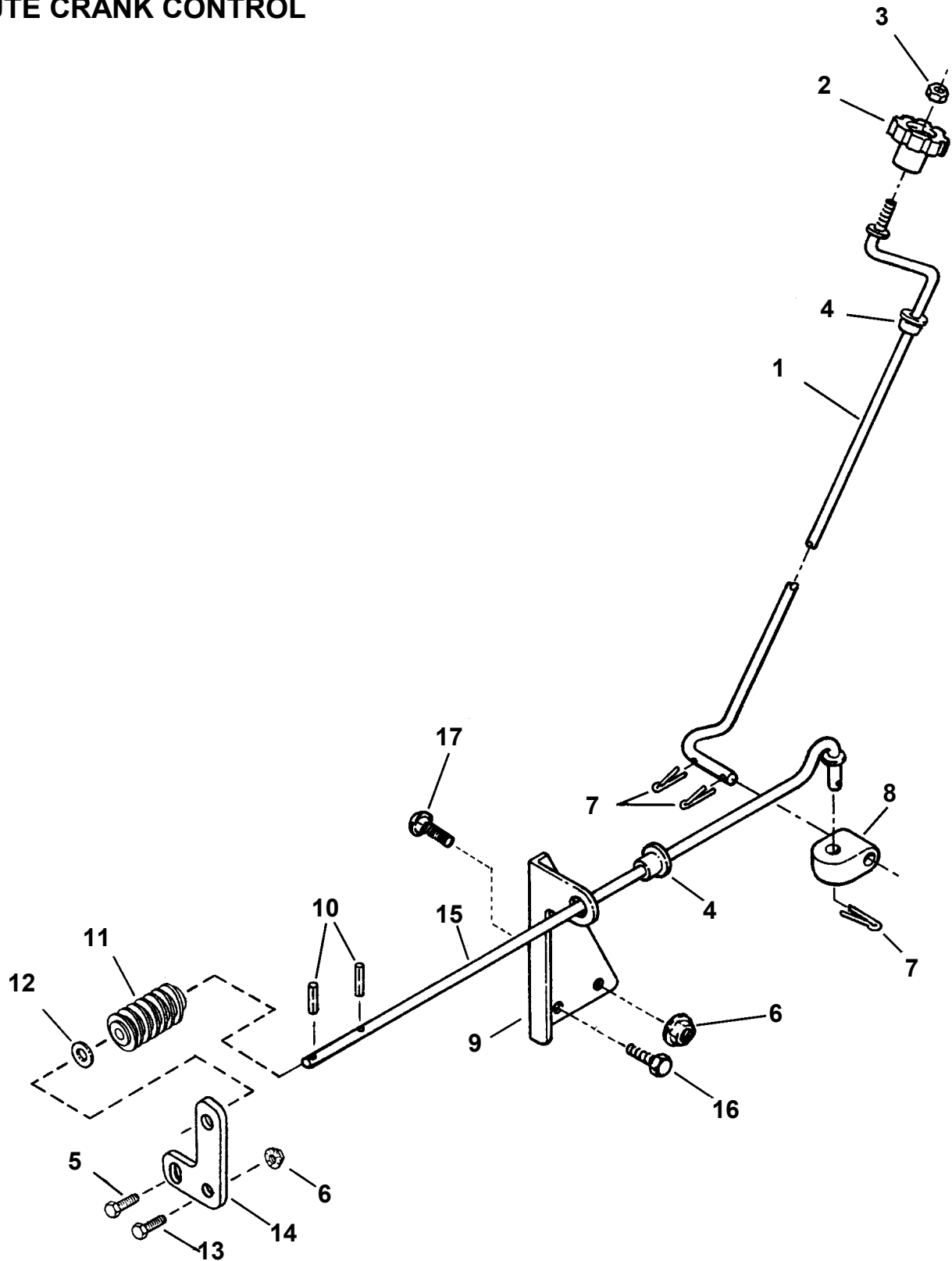
AUGERS, IMPELLER, GEAR CASE, SHAFT



AUGERS, IMPELLER, GEAR CASE, SHAFT

ITEM	PART NO.	DESCRIPTION
1	7-2423	WELDMENT, Impeller (Fan)
2	5-1566	ASSEMBLY, Drive Plate (Includes Items 3 & 4)
3	1-0756	BEARING, Ball
4	1-4295	BEARING, Ball
5	1-0211	KEY, #9 (3/16 x 3/4") Woodruff (2)
6	9-0929	SCREW, 1/4-20 x 1/2" Truss Head Self-Tapping (Torx)
7	9-0913	SCREW, #10-24 x 1/2" Hex Washer Self-Tapping (Torx)
8	1-9779	COVER, Gear Case (Left Hand)
9	1-5136	SEAL (2)
10	1-5230	BUSHING
11	1-5137	"O" RING
12	1-9780	COVER, Gear Case (Right Hand)
13	9-0290	SCREW, 1/4-20 x 3/4" Hex Washer Self-Tapping (4)
14	9-1075	SCREW, #10-24 x 5/8" Hex Washer Self-Tap, Grade 5 (3)
15	2-9275	FITTING, Lube 1/4-28 Thread Forming
16	2-9554	SHAFT, Auger
17	1-3852	WASHER, Thrust (2)
18	2-7652	GEAR, Worm
19	4-9969	AUGER, (Left Hand)
20	1-3864	FITTING, Lube (for 3/16" dia. hole)(2)
21	4-9968	AUGER, (Right Hand)
22	1-5257	BOLT, 1/4-20 x 1-1/2" Shear (2)
23	9-0372	NUT, 1/4-20 Hex Center Lock (2)
24	1-3867	SHEAVE (Includes Setscrews)
25	9-0201	SCREW, 5/16-18 x 5/16 Hex Socket Set (2)
26	2-1961	COLLAR
27	1-0776	RING, 1/2" Heavy Duty External Retaining
28	1-9783	SHAFT, Pinned Impeller (Worm)
29	9-0842	ROLL-PIN, 1/4 x 1-1/4" (3)
30	3-2479	WASHER, Thrust
31	1-5363	BEARING
32	1-7865	SPACER, .76 I.D. x 1" O.D. x .25" Thick
33	9-0987	WASHER, Shim (4)

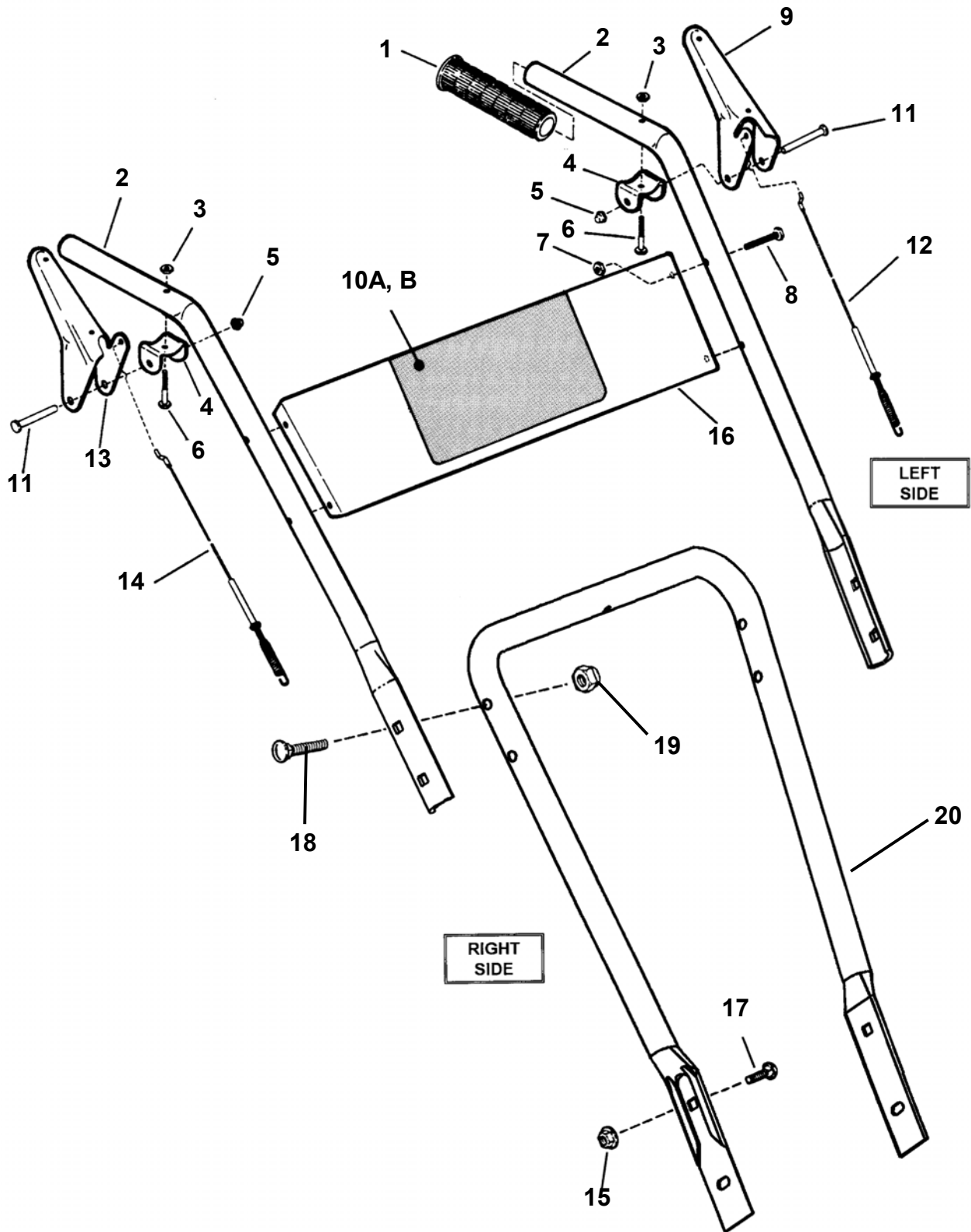
CHUTE CRANK CONTROL



CHUTE CRANK CONTROL

ITEM	PART NO.	DESCRIPTION
1	2-8180	CRANK, Chute
2	1-3901	KNOB, Chute Crank
3	9-1067	NUT, 5/16-18 Hex Center Lock, Grade B
4	1-2117	BUSHING (2)
5	9-0539	SCREW, 1/4-20 x 1/2" Hex Washer Self-Tapping
6	9-1070	NUT, 5/16-18 Hex Flange Lock, Grade 5 (2)
7	9-1082	PIN, 3/32 x 3/4" Cotter (3)
8	2-8222	BLOCK
9	3-4301	BRACKET, Shaft
10	1-4001	PIN, 1/8 x 3/4" Roll (3)
11	2-1828	WORM
12	1-1724	WASHER, Spring
13	9-1138	SCREW, 5/16-18 x 5/8" Hex Head Cap, Grade 5
14	2-8177	BRACKET, Worm Shaft
15	4-5204	SHAFT, Worm (long)
16	9-0858	SCREW, 5/16-18 1/2" Hex Washer Self-Tapping (2)
17	9-1026	BOLT, 5/16-18 x 5/8" Short Neck Carriage, Grade 5

HANDLES, CONTROLS (CONVENTIONAL TYPE) (I55224 & EI55224 Models)



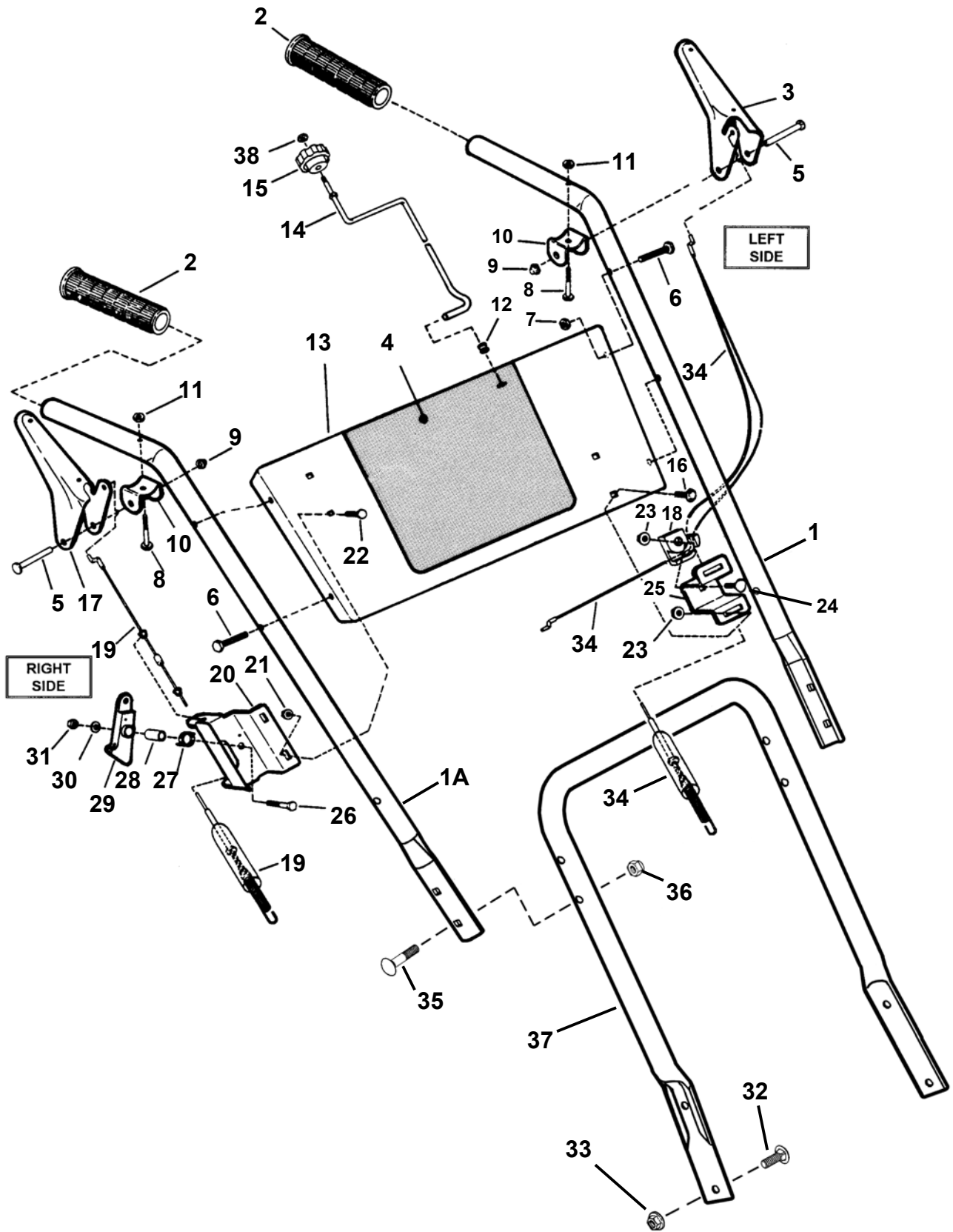
HANDLES, CONTROLS (CONVENTIONAL TYPE) (I55224 & EI55224 Models)

ITEM	PART NO.	DESCRIPTION
1	1-1870	GRIP, Handle (2)
2	7-4292	BAR, Handle (Right Hand)
--	7-4293	BAR, Handle (Left Hand)
3	9-0303	NUT, 1/4-28 Hex Top Lock (2)
4	3-2921	BRACKET, Handle (2)
5	9-1020	NUT, 1/4" Push (2)
6	9-1025	SCREW, 1/4-28 x 1-3/8" Hex Head Cap, Grade 5 (2)
7	9-1706	NUT, 5/16-18 Hex Top Lock, Grade B (4)
8	9-1066	SCREW, 5/16-18 x 1-1/2" Hex Head Cap, Grade 5 (4)
9	3-2907	HANDLE, Left Side
10A	4-5207	DECAL, Snapper (I55224 Model)
10B	4-5217	DECAL, Snapper (EI55224 Model)
11	1-6297	PIN, 1/4x 1-7/8" Clevis (2)
12	2-8223	CABLE, Clutch Left Side (Short)
13	3-2908	HANDLE, Right Side
14	2-8194	CABLE, Auger Right Side (Long)
15	9-1070	NUT, 5/16-18 Hex Flange Lock, Grade 5 (4)
16	4-5209	PANEL, Control
17	9-1026	BOLT, 5/16-18 x 5/8" Short Neck Carriage, Grade 5 (4)
18	9-0760	BOLT, 5/16-18 x 2" Square Neck Carriage, Grade 5 (2)
19	9-0717	NUT, 5/16-18 Hex Nyloc (2)
20	7-4296	BAR, Handle (Lower)

#6-0990 SINGLE HANDLE CONTROL KIT

ITEM	PARTS NO.	DESCRIPTION
--	6-0990	KIT, Single Handle Control Kit (Includes Items 1 Thru 10)
1	3-6237	PANEL, Control
2	5-2025	CABLE, Guide
3	5-7508	ASSEMBLY, Cam Lock
4	2-8267	CABLE, Auger
5	9-1064	BOLT, 1/4-20 x 1/2" Short Neck Carriage, Grade 5 (2)
6	9-1065	NUT, 1/4-20 Hex Flange Lock (2)
7	9-1085	BOLT, #10-24 x" 1/2 Flat Head Carriage (2)
8	9-1079	NUT, #10-24 Hex Flange Lock (2)
9	2-8276	DECAL, I422
10	2-8251	DECAL, I622

HANDLES, CONTROLS (SINGLE HANDLE TYPE) (I7244 & EI7244 Models)

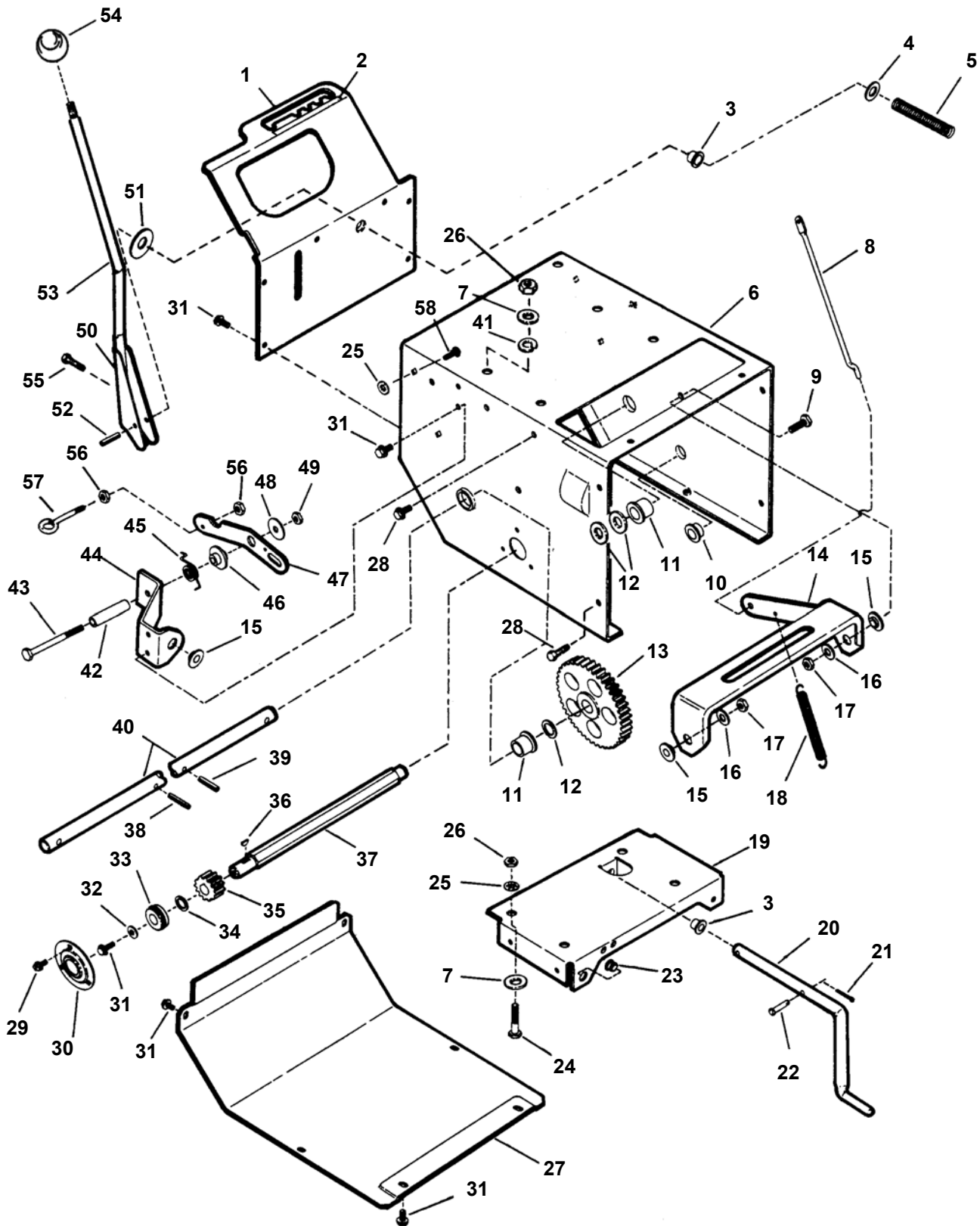


HANDLES, CONTROLS (SINGLE HANDLE TYPE) (I7244 & EI7244 Models)

ITEM	PART NO.	DESCRIPTION
1	7-4293	BAR, Handle (Left Hand)
1A	7-4292	BAR, Handle (Right Hand)
2	1-1870	GRIP, Handle (2)
3	3-2907	HANDLE (Left Hand)
4	7-4836	DECAL, Control Model 7/24
--	7-4845	DECAL, Control Model E7/24
5	1-6297	PIN, 1/4 x 1-7/8" Clevis (2)
6	9-1066	SCREW, 5/16-18 x 1-1/2" Hex Head Cap, Grade 5 (4)
7	9-1706	NUT, 5/16-18 Hex Top Lock (4)
8	9-1025	SCREW, 1/4-28 x 1-3/8" Hex Head Cap, Grade 5 (2)
9	9-1020	NUT, 1/4" Push (2)
10	3-2921	BRACKET, Handle (2)
11	9-0303	NUT, 1/4-28 Hex Top Lock (2)
12	1-2117	BUSHING
13	3-6237	PANEL, Control
14	2-8180	CRANK, Chute
15	1-3901	KNOB, Chute Crank
16	9-1064	BOLT, 1/4-20 x 1/2" Short Neck Carriage, Grade 5 (2)
17	3-2908	HANDLE (Right Side)
18	1-5960	GUIDE, Cable
19	2-8267	CABLE, Auger Right Side
20	3-8352	CAM BRACKET
21	9-1079	NUT, #10-24 Hex Flange Lock
22	9-1085	BOLT, #10-24 x 1/2" Flat Head Carriage
23	9-1065	NUT, 1/4-20 Hex Flange Lock (3)
24	9-0074	BOLT, 1/4-20 x 3/4" Short Neck Carriage, Grade 5
25	3-2651	BRACKET, Cable Guide Support
26	9-0548	SCREW, 1/4-20 x 1" Hex Head Cap, Grade 5
27	1-5966	SPRING, Cam Lock
28	1-5969	SPACER
29	1-8980	CAM LOCK
30	9-1294	WASHER, 1/4" Flat
31	9-0372	NUT, 1/4-20 Hex Center Lock
32	9-1026	BOLT, 5/16-18 x 5/8" Short Neck Carriage, Grade 5 (4)
33	9-1070	NUT, 5/16-18 Hex Flange Lock, Grade 5 (4)
34	2-8268	CABLE, Clutch (Left Hand)
35	9-0760	BOLT, 5/16-18 x 2" Square Neck Carriage, Grade 5 (2)
36	9-0717	NUT, 5/16-18 Hex Nyloc (2)
37	7-4296	BAR, Handle (Lower)
38	9-1067	NUT, 5/16-18 Hex Center Lock

**SEE PAGE 10 FOR CONVENTIONAL TYPE HANDLES
SEE PAGE 12 FOR SINGLE HANDLE TYPE HANDLES**

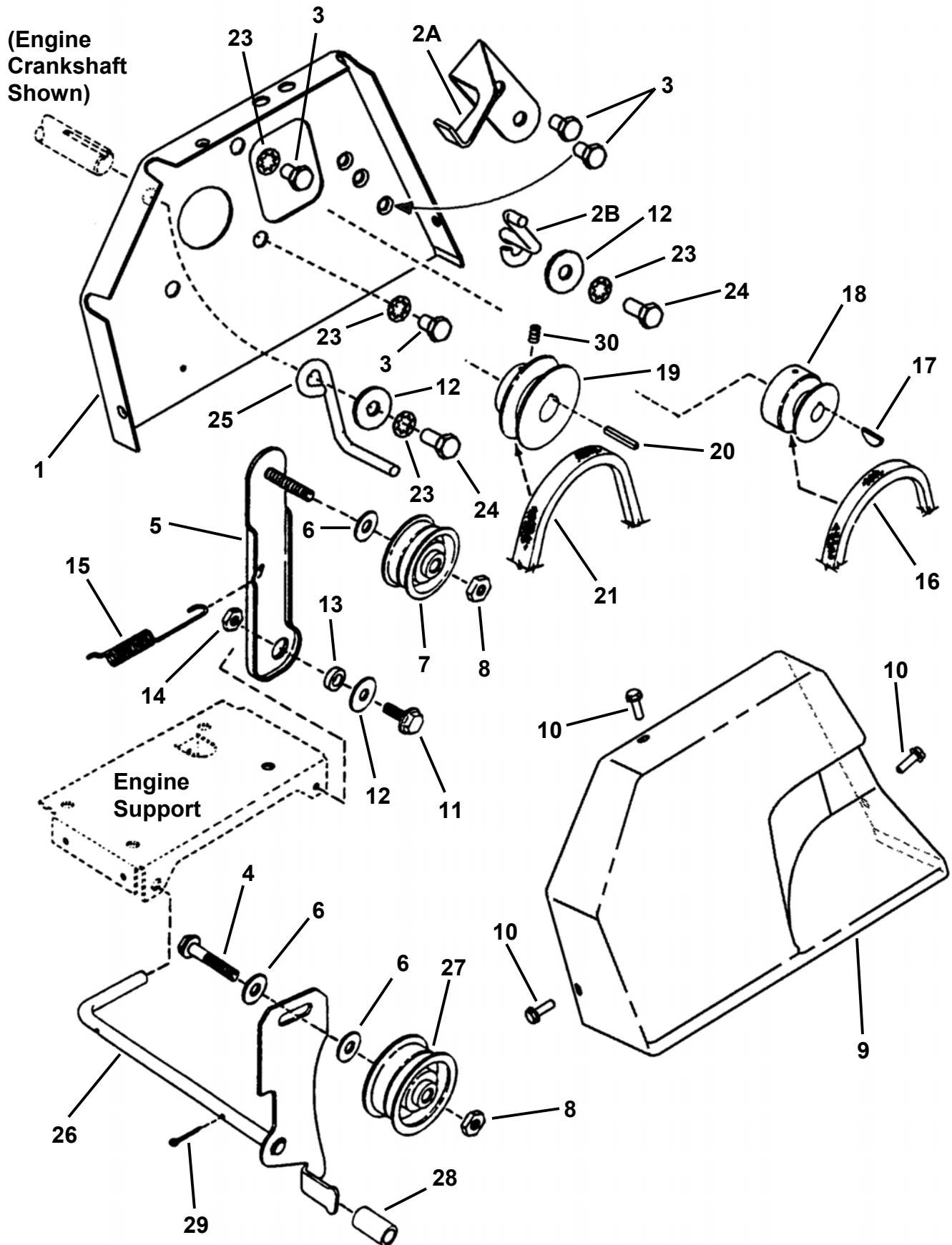
FRAME, TRACTION DRIVE



FRAME, TRACTION DRIVE

ITEM	PART NO.	DESCRIPTION
1	3-6285	COVER, Rear Frame & Shift Detent
2	2-8282	DECAL, Direction Control
3	1-1016	BUSHING, 1/2" Nylon (2)
4	9-0250	WASHER, 1/2" Flat
5	1-5165	SPRING, Shift
6	3-4282	FRAME
7	9-0188	WASHER, 5/16" Flat (8)
8	1-5166	ROD, Clutch
9	9-0563	SCREW, 3/8-16 x 1" Hex Head Cap, Grade 5 (2)
10	1-5164	BEARING
11	1-5363	BUSHING (2)
12	1-0935	WASHER, 3/4" Flat (3)
13	1-8741	GEAR, Axle Shaft
14	4-7873	BRACKET, Clutch
15	1-4314	BUSHING (3)
16	9-0122	WASHER, 3/8" Flat (2)
17	9-0546	NUT, 3/8-16 Hex Center Lock, Grade B or 5 (2)
18	1-2264	SPRING, Clutch
19	3-6343	SUPPORT, Engine
20	1-8750	ROD, Shift
21	9-0673	PIN, 1/16 x 1/2" Cotter
22	1-5157	PIN, 3/16 x 7/8" Clevis
23	1-2117	BUSHING, 3/8" Plastic
24	9-1243	BOLT, 5/16-18 x 1-3/4" Hex Tap, Grade 5 (4)
25	1-1791	RETAINER, 5/16" Bolt (5)
26	9-1069	NUT, 5/16-18 Hex, Grade 5 (8)
27	3-4228	COVER, Bottom Frame
28	9-0858	SCREW, 5/16-18 x 1/2" Hex Washer Self-Tap (12)
29	9-0981	SCREW, #10-32 x 1/4" Hex Washer Self-Tap (3)
30	3-2460	RETAINER, Bearing
31	9-0539	SCREW, 1/4-20 x 1/2" Hex Washer Self-Tap (13)
32	9-0055	WASHER, 1/4" Flat
33	1-5141	BEARING, Ball
34	1-4296	WASHER, 1/2" Shim
35	1-8740	GEAR, Pinion
36	1-5163	KEY, 3/32 x 1/2 Woodruff (#304)
37	2-7653	SHAFT, Hex
38	9-0842	PIN, 1/4 x 1-1/4" Roll
39	1-3072	PIN, 1/4 x 1" Roll
40	2-7654	AXLE, Shaft
41	9-0187	WASHER, 5/16" Split Lock (4)
42	1-5198	SPACER
43	9-0553	SCREW, 5/16-18 x 3" Hex Head Cap, Grade 5
44	3-2466	BRACKET
45	1-5178	SPRING
46	1-5139	BUSHING
47	3-2838	LEVER
48	1-6314	WASHER, 5/16" Flat
49	9-1067	NUT, 5/16-18 Hex Center Lock, Grade B
50	3-4283	HUB, Shifter
51	3-1036	WASHER, Thrust
52	1-3550	PIN, 3/16 x 1" Roll
53	3-4417	SHIFTER
54	1-2659	KNOB, Shifter
55	9-1289	SCREW, #10-32 x 5/8" Hex Washer Self-Tap
56	9-0583	NUT, 1/4-20 Hex Flange Lock (2)
57	2-3817	BOLT, 1/4-20 Eye
58	9-1026	BOLT, 5/16-18 x 5/8" Short Neck Carriage, Grade 5 (9)

ENGINE, PULLEYS, IDLER, CLUTCH SYSTEM



ENGINE, PULLEYS, IDLER, CLUTCH SYSTEM

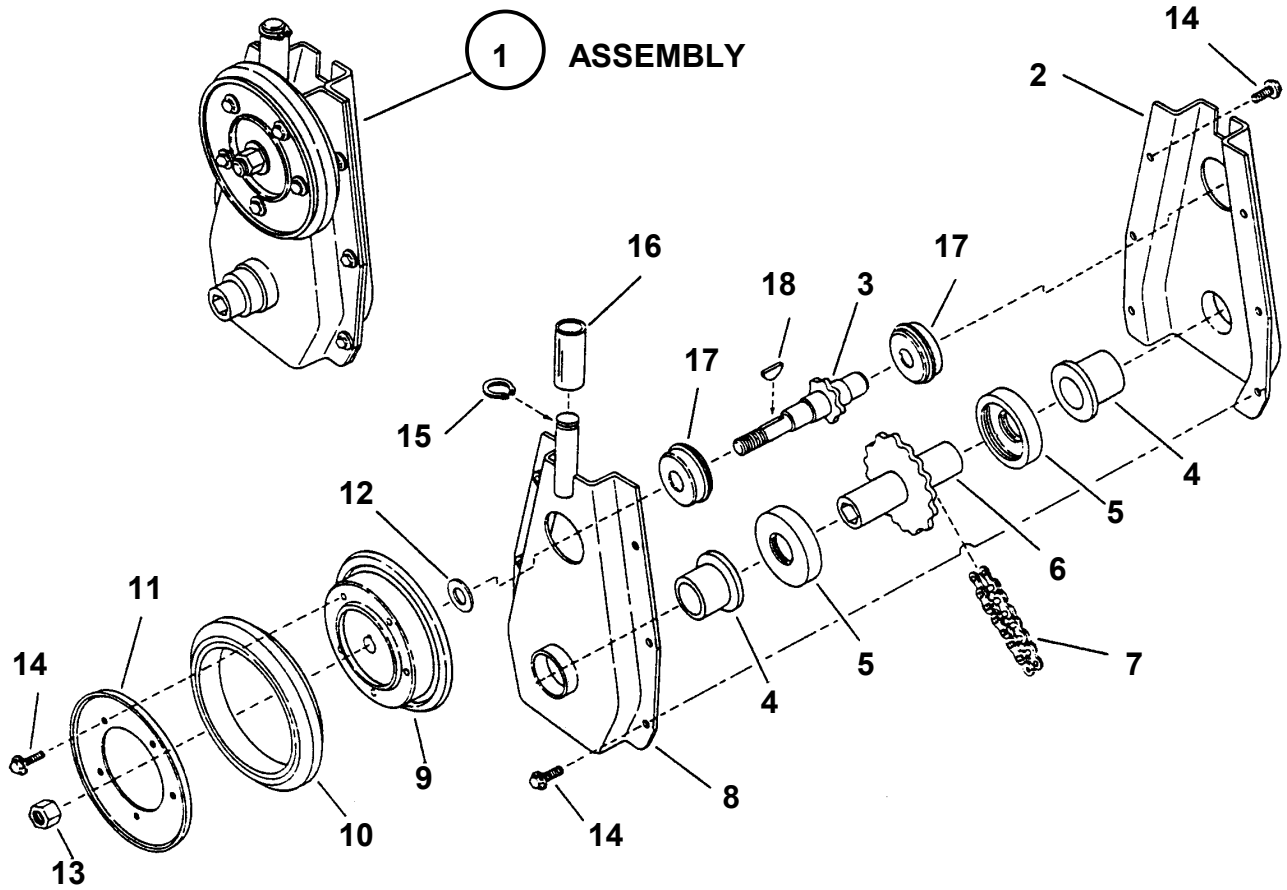
ITEM	PART NO.	DESCRIPTION
1	4-5185	PLATE, Engine
2A	4-5186	GUIDE, Belt (I55224 & EI55224 also I7244 & EI7244 late production)
2B	3-8534	GUIDE, Belt (I7244 & EI7244 early production)
3	9-0322	SCREW, 5/16-18 x 1/2" Hex Head Cap, Grade 5 (4)
4	9-0503	SCREW, 3/8-16 x 1-3/4" Hex Head Cap, Grade 5
5	5-8462	BRACKET, Idler
6	9-0122	WASHER, 3/8" Flat (2)
7	1-0948	IDLER, 2" O.D.
8	9-0546	NUT, 3/8-16 Hex Center Lock, Grade B or 5 (2)
9	3-5083	COVER, Belt
10	9-1075	SCREW, #10-24 x 5/8" Self-Tapping, Gr. 5 (3)
11	9-0636	SCREW, 5/16-18 x 1" Hex Head Cap, Grade 5
12	1-4098	WASHER, 5/16" Flat (3)
13	7-2576	SPACER
14	9-0184	NUT, 5/16-18 Hex Center Lock, Grade B or 5
15	1-5188	SPRING
16	4-5214	BELT, Traction
17	1-0614	KEY, 1/8 x 5/8" Woodruff
18	1-5179	PULLEY, P.T.O. (I55224 & EI55224)
--	2-3622	PULLEY, P.T.O. (I7244 & EI7244)
19	1-5180	PULLEY, Auger Drive
20	1-0061	KEY, 3/16 x 1" Square
21	1-5152	BELT, Blower
22	4-1995	MUFFLER GUARD, Tecumseh 5.5 & 7 HP (not shown)
23	9-0391	WASHER, 5/16" Internal Tooth Lock (3)
24	9-1021	SCREW, 5/16-24 x 3/4" Hex Head Cap, Grade 5 (2)
25	1-5226	GUIDE, Belt
26	4-7875	BRAKE ARM & ROD
27	1-4340	IDLER, 2-1/2" Flat
28	1-5177	TUBE, Brake
29	9-0360	PIN, 1/16 x 3/4" Cotter (2)
30	9-0471	SCREW, 1/4-20 x 5/16 Socket Set

ENGINE SPECIFICATIONS

**5.5 HP Tecumseh
Model OHSK55**

**7 HP Tecumseh
Model OHSK70**

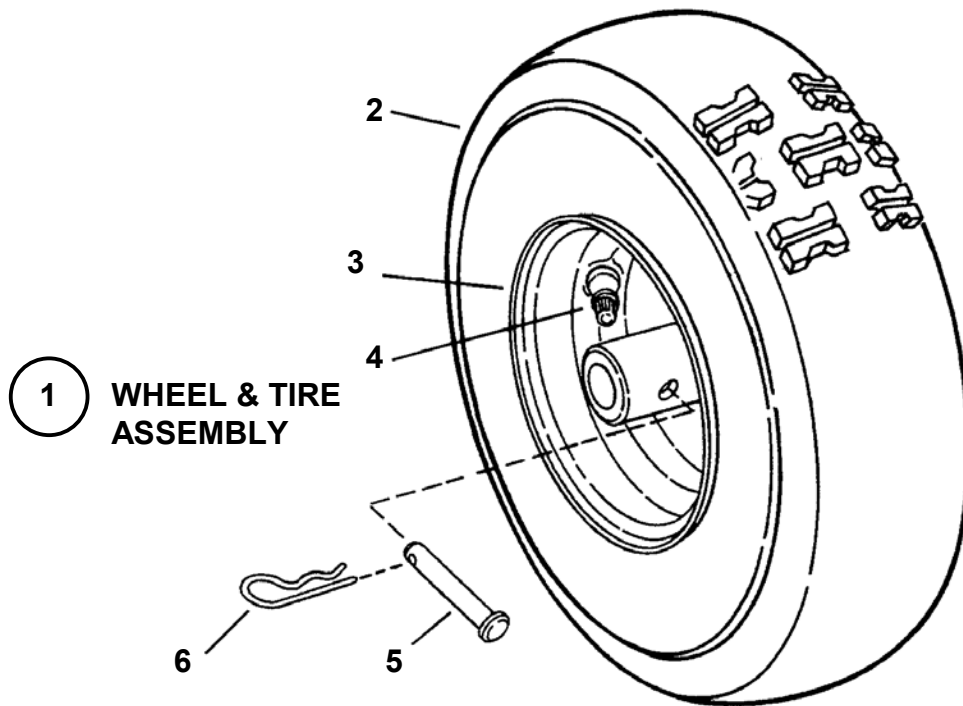
CHAIN CASE



CHAIN CASE

ITEM	PART NO.	DESCRIPTION
1	5-1570	ASSEMBLY, Chain Case (Includes Items 2 thru 18)
2	5-1569	ASSEMBLY, Cover Sprocket (Includes Items 4 & 17)
3	1-8964	SHAFT & SPROCKET
4	1-5363	BEARING (2)
5	1-5142	SPACER (2)
6	4-0523	HUB & SPROCKET
7	1-5156	CHAIN
8	5-1568	ASSEMBLY, Sprocket Case (Includes Items 4 & 17)
9	1-8748	HUB, Driven Disc
10	1-0927	RING, Driven
11	3-1013	PLATE
12	9-0122	WASHER, 3/8" Flat (2)
13	9-0524	NUT, 3/8-24 Hex Top Lock, Grade C
14	9-0913	SCREW, #10-24 x 1/2" Hex Washer Self-Tap (Torx) (11)
15	1-0776	RING, 1/2" External Retaining (Heavy Duty)
16	2-0908	ROLLER
17	1-5141	BEARING, Ball (2)
18	1-5163	KEY, 3/32 x 1/2" Woodruff

WHEELS



ITEM	PART NO.	DESCRIPTION
1	5-3415*	ASSEMBLY, Tire & Rim (Snow Hog) (Includes Items 2A, 3 & 4) (2)
--	5-3448**	ASSEMBLY, Tire & Rim (Snow Hog) (Includes Items 2B, 3 & 4) (2)
2A	2-3646	TIRE, 4.10 x 3.50 x 6
2B	2-8270	TIRE, 13 x 5.00 x 6
3	2-8271	RIM, 6 x 3.25
4	1-2234	VALVE, Snap-In
5	1-2407	PIN, 5/16 x 1-11/16" Clevis (2)
6	1-5067	PIN, 3/32 x 1-1/2" Hair (2)

Snow Hog Tire Chain KIT #6-0926 (for use on 5-3415)
 Snow Hog Tire Chain KIT #6-1409 (for use on 5-3448)

(*for I55224 & EI55224 Models)
 (**for I7244 & EI7244 Models)

ACCESSORIES

MODELS I55224 & EI55224 HARDWARE BAG KIT #6-3190

PART NO.	DESCRIPTION
1-5257	BOLT, 1/4-20 x 1-1/2" Shear (2)
9-1082	PIN, 3/32 x 3/4 Cotter (2)
9-1603	NUT, 1/4-20 Hex Nyloc
9-0717	NUT, 5/16-18 Hex Nyloc (2)
9-0760	BOLT, 5/16-18 x 2" Square Neck Carriage (2)
3-5744	KNOB, 5/16-18 Wing (Black)
9-1021	SCREW, 5/16-24 x 3/4" Hex Head Cap Grade 5
9-1074	NUT, 5/16-24 Hex Center Lock, Grade B
9-1076	WASHER, .34 x .69 x .08 Flat (2)
9-1097	BOLT, 5/16-18 x 3/4" Square Neck Carriage, Grade 5
7-6978	NUT, 1/4-20 Nyloc (2)

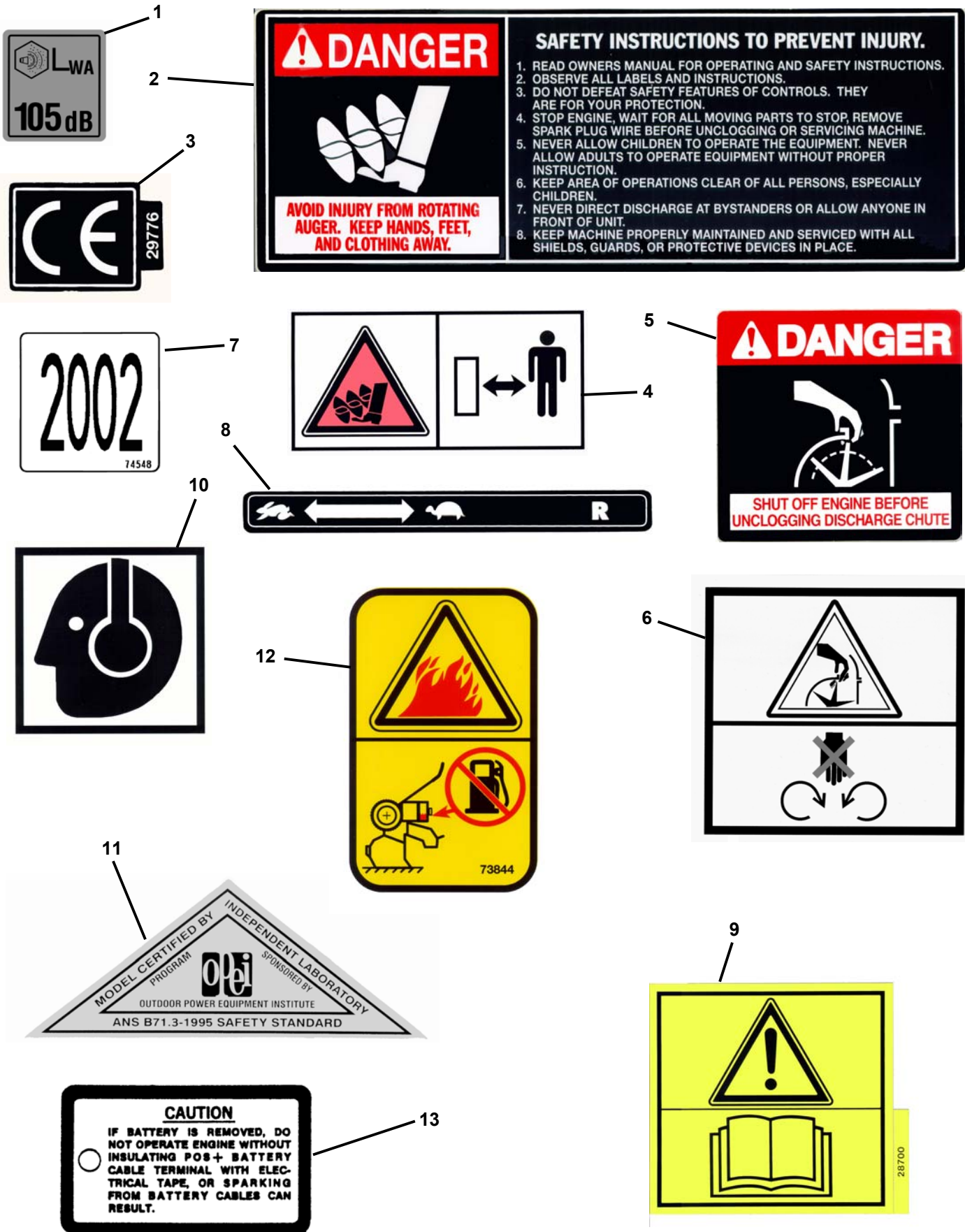
DRIFT CUTTER KIT # 6-1099

PART NO.	DESCRIPTION
3-8201	DRIFT-CUTTER
9-0643	SCREW, 1/4-20 x 7/8" Hex Head Cap, Grade 5
9-1099	NUT, 1/4-20 Hex Center Lock, Grade B or 5

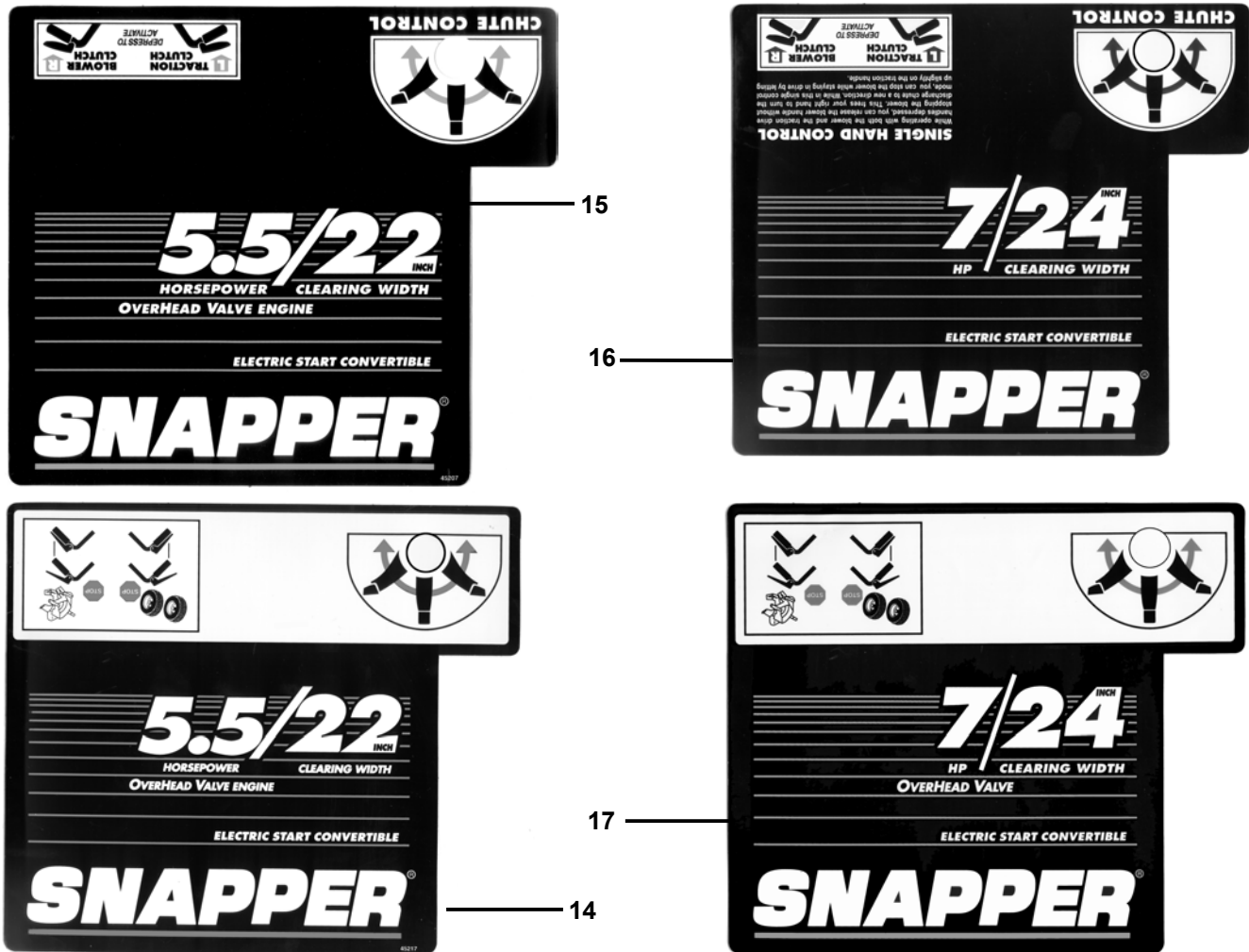
ELECTRIC START KIT for TECUMSEH ENGINES

<u>KIT NO.</u>	<u>TYPE</u>	<u>FOR</u>
6-0758	120 VOLT-GEAR	I55224 & EI55224 Models

DECALS



DECALS (Continued)



ITEM	PART NO.	DESCRIPTION
1	7-4136	DECAL, Noise Control (Euro)
2	2-8280	DECAL, Foot Danger/Blank
3	2-9776	DECAL, European Community (CE)
4	2-8711	DECAL, Foot Danger (Euro)
5	2-4773	DECAL, Hand Danger
6	7-4197	DECAL, Chute (Euro)
7	7-4548	DECAL, 2002 Year of Manufacture
8	2-8282	DECAL, Gear Snow (Direction Control)
9	2-8700	DECAL, Chute/Read Manual (Euro)
10	2-7733	DECAL, Ear Protection
11	7-3342	DECAL, OPEI Snow
12	7-3844	DECAL, Fuel Safety
13	1-6134	DECAL, Caution Tag
14	4-5217	DECAL, Control- E5.5/22
15	4-5207	DECAL, Control- 5.5/22
16	7-4836	DECAL, Control- 7/24
17	7-4845	DECAL, Control- E7/24

Parts Manual for

SNAPPER®

TWO-STAGE INTERMEDIATE FRAME SNOW THROWER SERIES 4

IT IS THE POLICY OF SNAPPER TO IMPROVE ITS PRODUCTS WHENEVER IT IS POSSIBLE AND PRACTICAL TO DO SO. WE RESERVE THE RIGHT TO MAKE CHANGES OR ADD IMPROVEMENTS AT ANY TIME WITHOUT INCURRING ANY OBLIGATION TO MAKE SUCH CHANGES ON PRODUCTS MANUFACTURED PREVIOUSLY.

SNAPPER®McDonough, GA., 30253 U.S.A.

COPYRIGHT © 2002
SNAPPER INC.
ALL RIGHTS RESERVED

(Rev. 2, 6/30/02)

MANUAL No. 06068

Free Manuals Download Website

<http://myh66.com>

<http://usermanuals.us>

<http://www.somanuals.com>

<http://www.4manuals.cc>

<http://www.manual-lib.com>

<http://www.404manual.com>

<http://www.luxmanual.com>

<http://aubethermostatmanual.com>

Golf course search by state

<http://golfingnear.com>

Email search by domain

<http://emailbydomain.com>

Auto manuals search

<http://auto.somanuals.com>

TV manuals search

<http://tv.somanuals.com>