

42" SNOW PLOW and DOZER BLADE

**MFG. NO. 1690085 42" SNOW
PLOW AND DOZER BLADE**

**MFG. NO. 1690087 HITCH ASSEMBLY
42" SNOW PLOW AND DOZER BLADE**

**MFG. NO. 1690037 HITCH ASSEMBLY
42" SNOW PLOW AND DOZER BLADE**

OPERATOR'S MANUAL

RECOMMENDED ACCESSORIES

Rear Wheel Weights
Tire Chains

ASSEMBLING 42" PLOW AND BLADE WITH MFG. NO. 1690087 HITCH ASSEMBLY TO TRACTOR (Figure 2)

1. Assemble the plow and blade as follows:

Attach the push bar assembly to blade by placing king pin in hole "A" in blade mounting bracket and install a hairpin clip. Attach the lift rod guide in hole in top of blade lift arm with a hairpin clip. Mount and adjust the shoe assemblies to desired height using 3/8-inch carriage bolts, lockwashers and nuts. Place the pivot pin through the hole in blade mounting bracket and push bar assembly that gives the desired blade angle.

2. Attach the plow and blade assembly to tractor as follows: (Figure 3).

- a. Place push bar assembly under tractor and attach it to the rear holes in tractor axle clips with two pins and hairpin clips.

- b. Attach rear end of lift rod to upper hole in tractor lift arm and secure with hairpin clip. With tractor on level flat surface, with hand lift fully forward or electric lift fully down, and with blade resting on skid shoes at desired working height, adjust front lift rod set collar to have about 1 inch clearance ahead of lift rod guide. This is to permit the blade to float and follow contour of ground. Lift the blade carefully to the fully up position and check to be sure no part of Dozer contacts any part of tractor. If there should be any interference of parts, move the lower lift arm set collar farther away from lift rod guide until the lift can be actuated fully without interference.

OPERATION AND ADJUSTMENT

42" PLOW AND BLADE WITH MFG. NO. 1690087 HITCH ASSEMBLY

1. The angle of the blade is adjustable to permit plowing straight ahead or to the left or right by moving pivot pin to desired hole in blade mounting bracket.

2. Alternate holes are provided to permit adjustment of the shoe assemblies for raising or lowering the blade to various working heights. Figure 3. When cleaning snow from gravel or earth drives or walks the shoe assemblies should be lowered fully to prevent blade contact with gravel or ground. When cleaning smooth hard surfaces like concrete the shoe assemblies are normally placed fully up to allow blade to scrape the surface.

3. Normal dozing operations require the blade to float up and down to follow ground contour. As outlined above in ASSEMBLING PLOW AND BLADE TO TRACTOR, the lower lift rod set collar should have about 1 inch or more clearance from the lift rod guide and the lift, either hand or electric, should be operated in the fully down position while dozing.

4. For some jobs, such as moving hard soil or hard packed snow, additional down pressure on the blade may be helpful. This can be provided by adjusting the upper lift rod collar (Figure 3) downward so that lift rod spring is compressed 2 or 3 inches when lift is fully down. With electric lift this pressure will be held by lift. With hand lift, operator will have to push forward on lift lever when extra down force is desired.

5. Where it is desired to let blade float free with no additional down force, the upper set collar (Figure 3) on lift rod should be moved several inches above the spring on the rod so that it will not compress spring as blade floats.

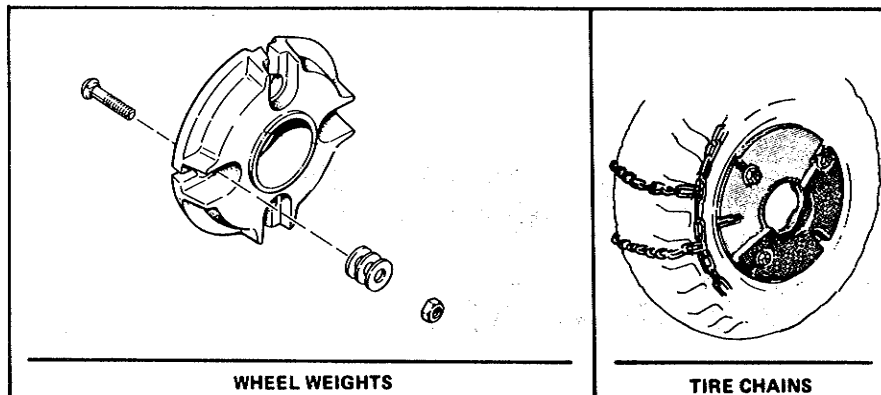
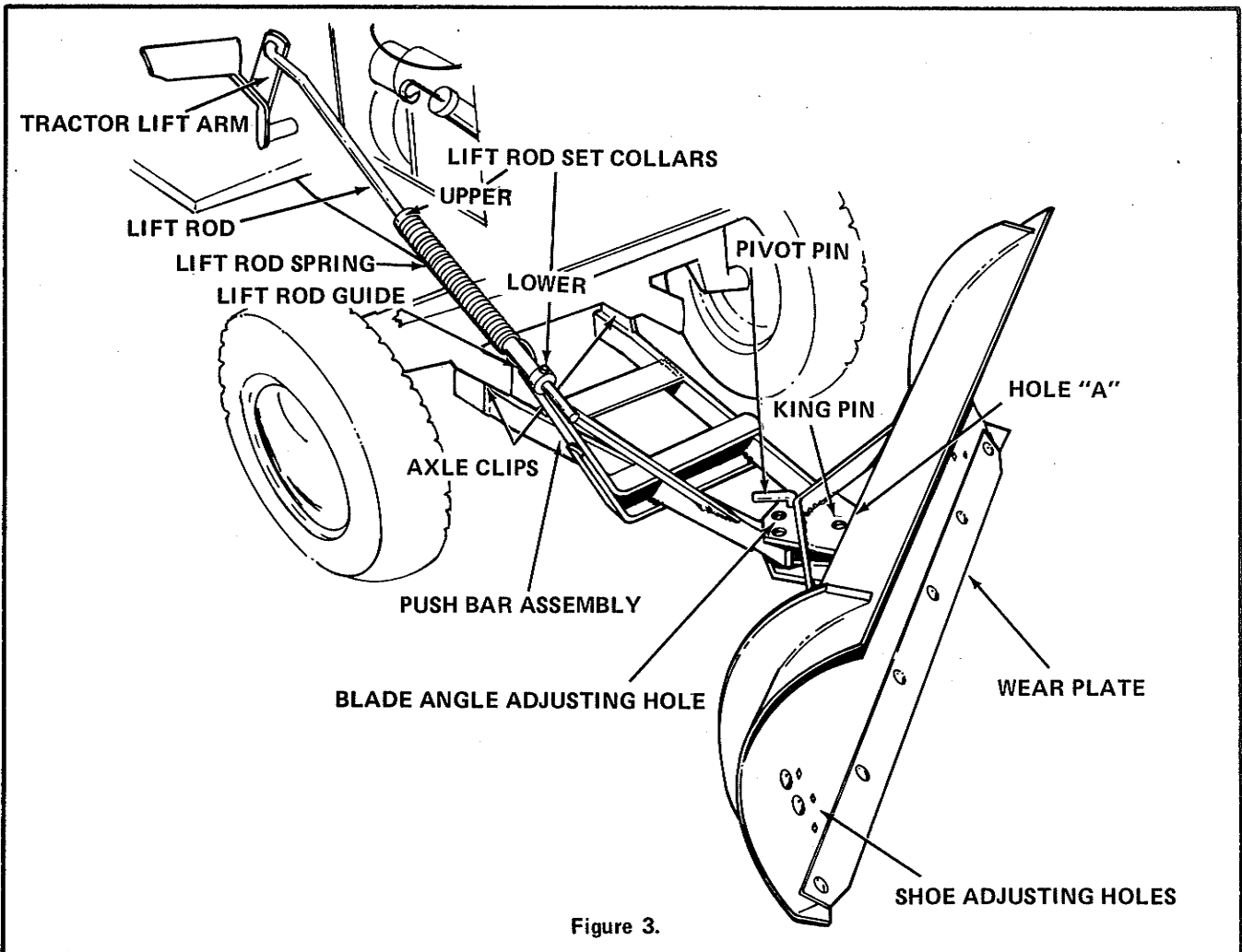
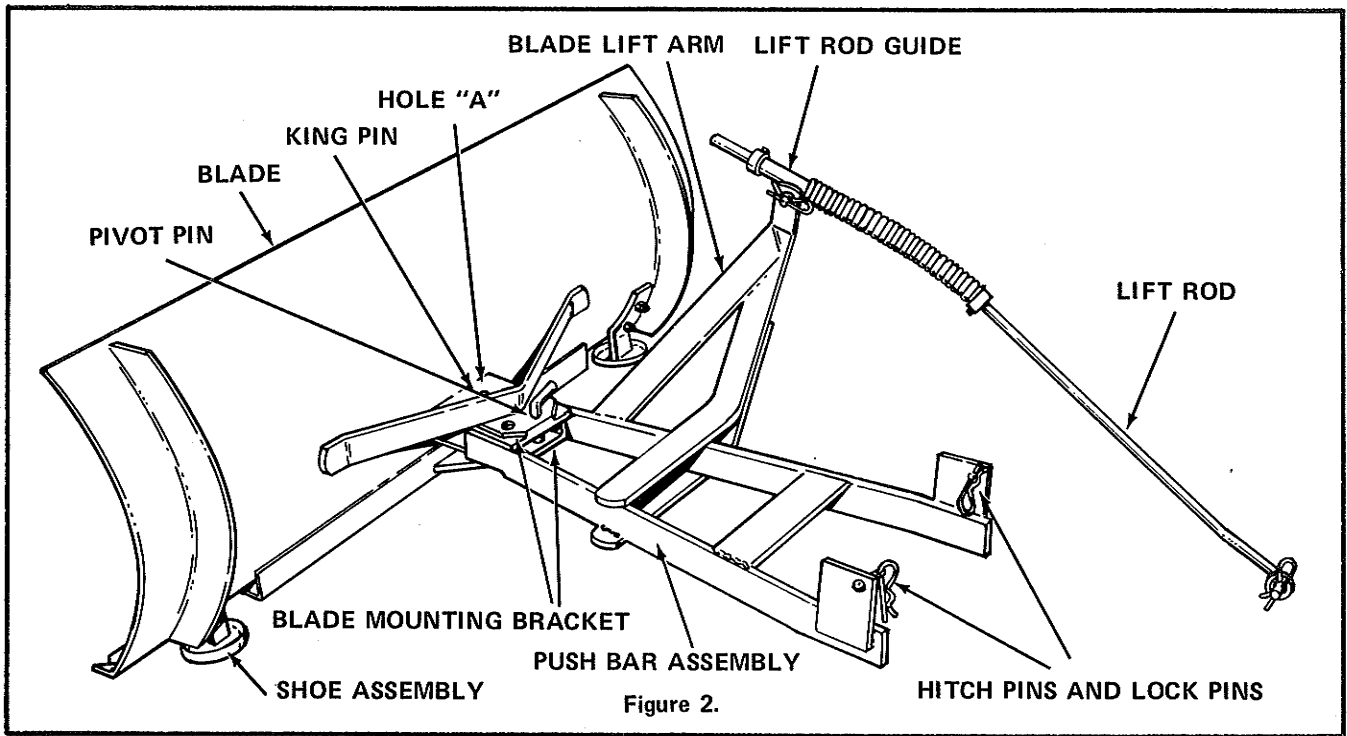


Figure 1.



ASSEMBLING 42" PLOW AND BLADE WITH MFG. NO. 1690037 HITCH ASSEMBLY TO TRACTOR

1. Assemble the plow and blade as follows (Figure 4):

Attach the push bar assembly (15) to blade king pin (1) and hairpin clip (2). Secure lift rod guide (5) to top of push bar lift arm with a hairpin clip (4). Mount and adjust the shoe assemblies (17) to desired height using carriage bolts (18), lockwashers (19), and nuts (20). Place the pivot pin (7) through the hole in blade mounting bracket and push bar assembly that gives the desired blade angle.

2. Attach the plow and blade assembly to tractor as follows (Figure 4):

a. Attach the rear ends of the push frame (12) between the axle clips at the right and left side of the tractor with two pins (13) and hairpin clips (14).

b. Attach left and right support arms (8) to tractor with two pins (13) and hairpin clips (14). If not previously attached, secure bottom of support arms to push frame (12) with two capscrews (9), lockwashers (10), and nuts (11).

c. Align rear holes of push bar (15) with holes in forward end of push frame (12) and install pivot rod (16) and hairpin clips (14).

d. Attach rear end of lift rod (3) through hole in lift lever assembly and secure with hairpin clip (4) on outside of lever assembly.

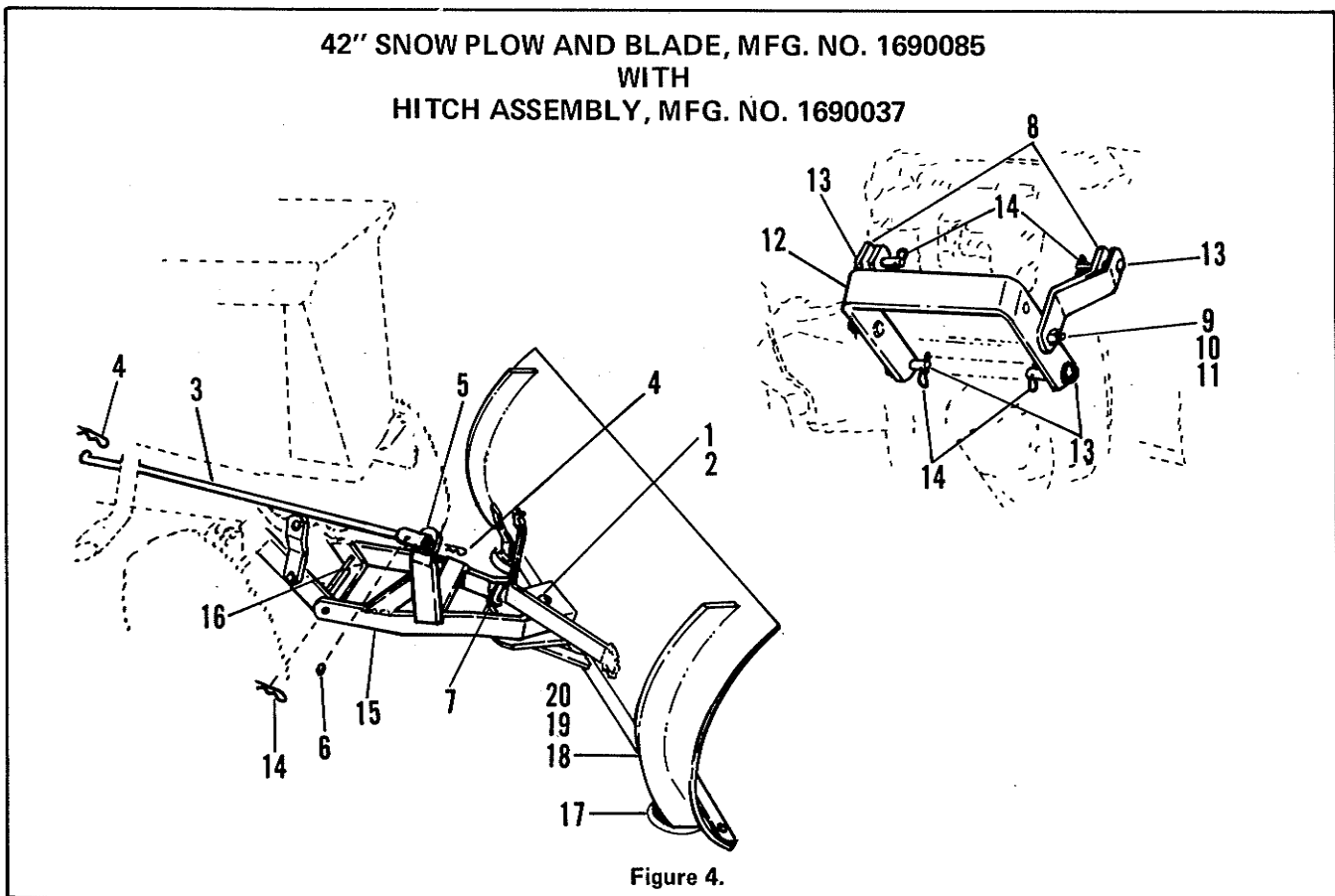
OPERATION AND ADJUSTMENT OF 42" PLOW AND BLADE WITH MFG. NO. 1690037 ASSEMBLY

1. Alternate holes are provided to permit adjustment of the shoe assemblies for raising or lowering the blade when cleaning gravel drives or walks. When cleaning smooth concrete, it is desirable to allow the blade to scrape the surface.

2. The angle of the blade is adjustable to permit plowing to the left or right by moving the positioning pin to the desired hole in the blade mounting plate.

3. Loosen guide assembly setscrew (6) and, with blade resting on ground, push lift lever completely forward. Tighten guide assembly setscrew. Plow should then raise when lift lever is pulled back.

4. For some jobs, such as moving hard soil or hard packed snow, additional down pressure on the lift lever may be needed for a deeper cut. Loosening the guide assembly setscrew will allow the blade to float free. However, the blade cannot be lifted unless the setscrew is tightened with the lift lever in the down position.



Free Manuals Download Website

<http://myh66.com>

<http://usermanuals.us>

<http://www.somanuals.com>

<http://www.4manuals.cc>

<http://www.manual-lib.com>

<http://www.404manual.com>

<http://www.luxmanual.com>

<http://aubethermostatmanual.com>

Golf course search by state

<http://golfingnear.com>

Email search by domain

<http://emailbydomain.com>

Auto manuals search

<http://auto.somanuals.com>

TV manuals search

<http://tv.somanuals.com>