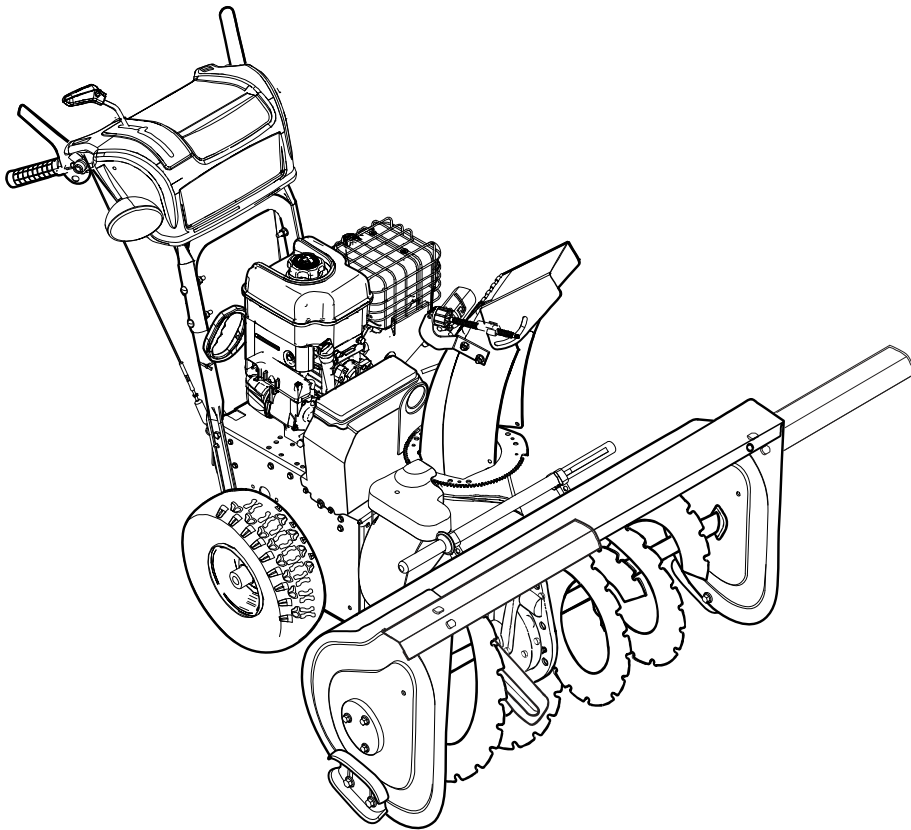


*Parts Manual for*  
**SNAPPER®**

**26", 28" & 30" TWO STAGE  
LARGE FRAME SNOWTHROWERS  
2011**

<i>Model No.</i>	<i>Description</i>
1696004	L1226E
1696005	L1528E
1696011	L1528EX
1696006	L1730E
1696012	L1730EX



**Briggs & Stratton Yard Power Products Group**  
535 Macon Road  
McDonough, GA, 30253 U.S.A.  
800-935-2967

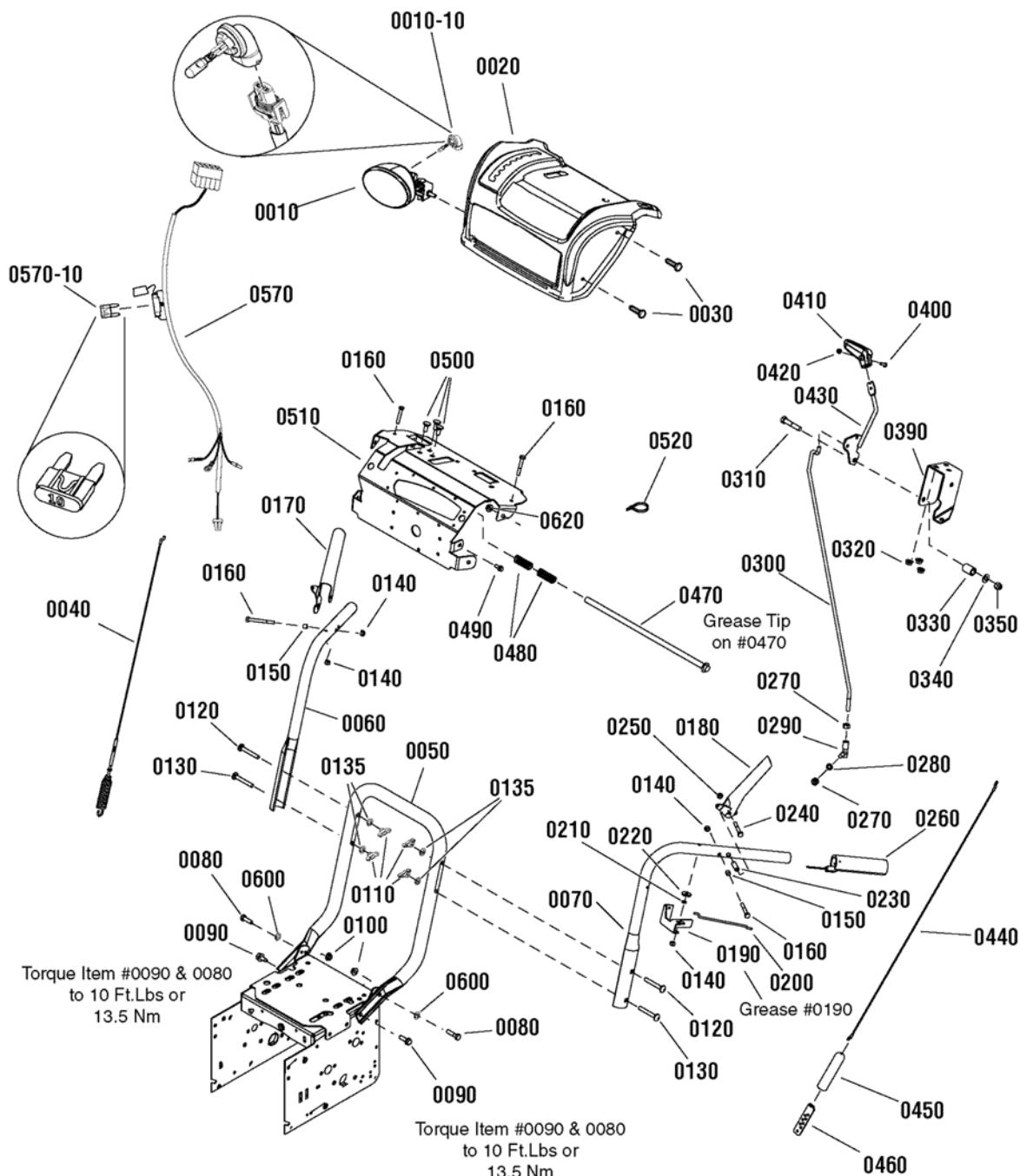
**Manual No.** 7105286  
**Revision:** - 6/14/2011

Not for  
Reproduction

<b>PAGE</b>	<b>GROUP</b>
4	Handles & Controls Group
8	Auger Housing Group
10	Auger Drive Group
12	Gear Case Assembly - Heavy Duty
14	Chute & Rotation Group
16	Engine & Frame Group - 11.5TP
20	Engine Group - 14.5HP & 16.5HP
24	Traction Drive Group - Easy Turn
28	Decals Group
30	Wheels & Tires Group

Not for  
Reproduction

# Handles & Controls Group

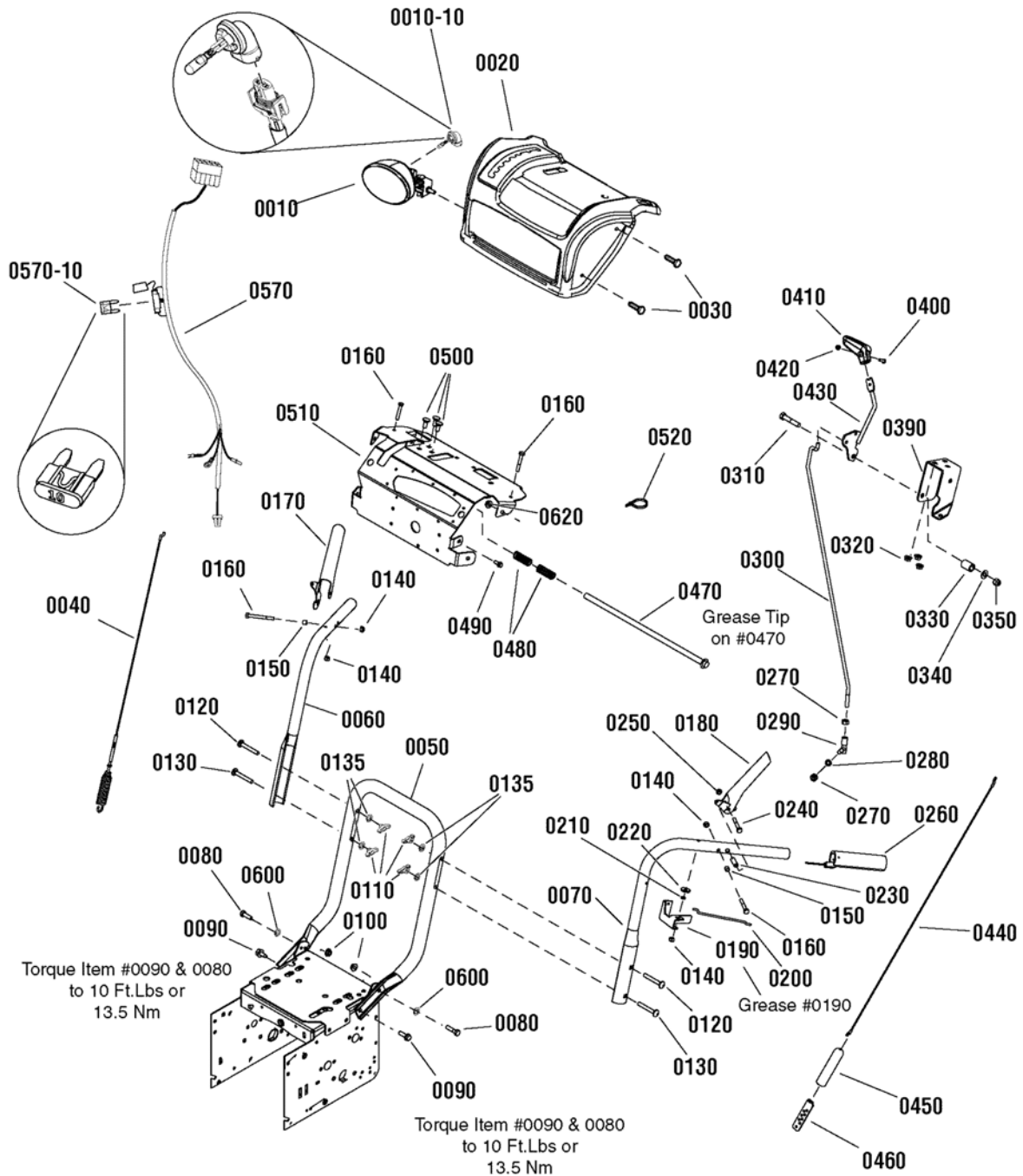


<b>Item</b>	<b>Part No</b>	<b>Qty</b>	<b>Description</b>
0010	1737966	1	HEADLIGHT, Oval
0010-10	-----	1	* BULB, 881-12V 27W Halogen Lamp (Included with Ref. No. 0010)
0020	1738247D	1	COVER, Panel
0030	1960715	3	SCREW, Truss Head Torx, 1/4-20 x 3/4
0040	1732471	1	CABLE & SPRING ASSEMBLY, Auger Drive, RH
0050	1737759A	1	HANDLE, Lower
0060	1734587A	1	HANDLE, Upper, RH
0070	1734586A	1	HANDLE, Upper, LH
0080	1921333	2	CAPSCREW, Hex Head, 5/16-18 x 1, G5
0090	1664847	2	SCREW, Hex Washer Head, Taptite, 5/16-18 x 3/4
0100	1935048	2	NUT, Hex Flange, Two Way Lock, 5/16-18
0110	7035744	4	KNOB, Wiing, 5/16-18
0120	1750299	2	BOLT, Carriage, Curved Head, 5/16-18 x 2-1/4
0130	7091189	2	BOLT, Carriage, Curved Head, 5/16-18 x 2
0135	7090391	4	WASHER, Internal Tooth, 5/16
0140	1920397	4	NUT, Hex Lock ESNA Light, 1/4-20
0150	1678392	2	SPACER, 1/4 ID x 3/8 OD x 5/16"
0160	1921962	4	CAPSCREW, Hex Head, 1/4-20 x 1-3/4, G5
0170	1739783A	1	LEVER, Clutch, RH
0180	1739782A	1	LEVER, Clutch, LH
0190	1733505BM	1	BRACKET, Pivot, Free Hand
0200	1736360	1	ROD, Hold Down
0210	1733095	1	SPACER, 1/4 ID x 3/8 OD x 1/8"
0220	1960353	1	WASHER, 1/4
0230	1736542	2	SPACER, Stepped
0240	1750554	2	BOLT, Shoulder, 10-24
0250	1933896	2	NUT, Hex Lock, Nylon Insert, 10-24
0260	1726317	2	GRIP
0270	2820263	2	NUT, Hex, 5/16-24
0280	1917356	1	LOCKWASHER, Spring, 5/16
0290	1739290	1	BALL JOINT
0300	1751543	1	ROD, Speed Control
0310	1923701	1	CAPSCREW, Hex Head, 3/8-16 x 2, G5
0320	1931277	3	NUT, Hex Flange, Whiz Lock, 5/16-18
0330	724361	1	SPRING, 3/4"
0340	1918266	1	WASHER, 3/8
0350	1919439	1	NUT, Hex Lock ESNA Light, 3/8-16
0390	1737684	1	BRACKET, Controls
0400	1960589	1	SCREW, Phillips Head, #10-24 x 3/4
0410	1733192	1	KNOB, Slot Speed
0420	1933896	1	NUT, Hex Lock, Nylon Insert, 10-24
0430	1736836	1	SPEED LEVER
0440	727331	1	CABLE, Forward Drive
0450	723154	1	BOOT, Spring End Cover

**Footnotes:**

Note\* See your local hardware store for replacement bulbs & fuses.

# Handles & Controls Group



---

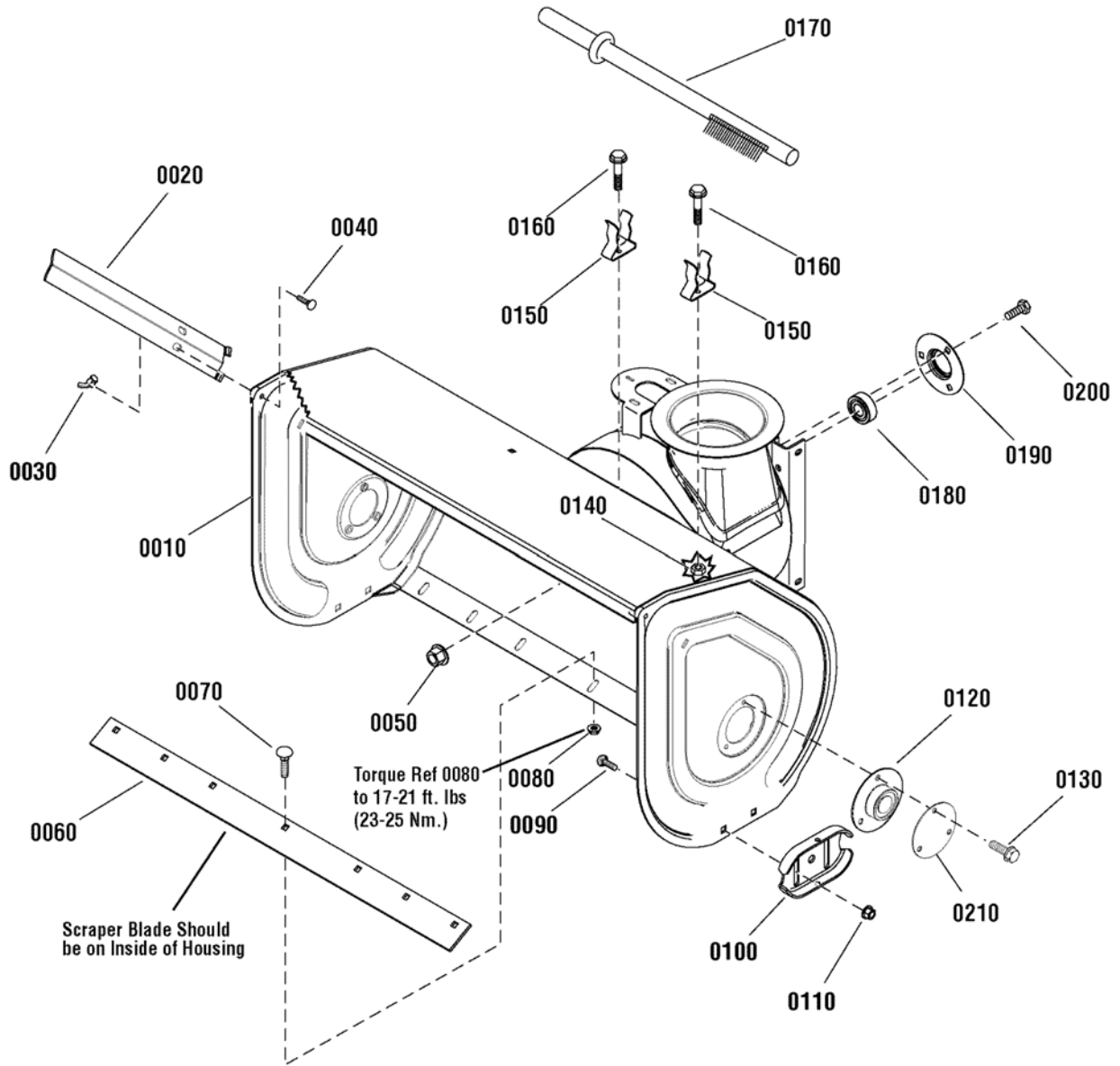
<b>Item</b>	<b>Part No</b>	<b>Qty</b>	<b>Description</b>
0460	723259	1	BRACKET, Cable Adjusting
0470	1733509	1	ROD & SPRING ASSEMBLY
0480	2108360	2	SPRING, Compression, 2-1/4
0490	1927429	2	SCREW, Hex Washer Head, Taptite, 1/4-20 x 5/8
0500	723873	3	BOLT, Carriage, 5/16-18 x 3/4
0510	1732064BM	1	SUPPORT, Dash
0520	2825094	5	TIE, Self Lock
0570	1750773	1	HARNESS, Deflector
0570-10	-----	1	* FUSE, 10 Amp (Included with Ref. No 0570)
0600	725331	2	WASHER, Flat, 11/32
0620	5025391	3	NUT, Hex Flange, Nylock, 1/4-20

Not for  
Reproduction

**Footnotes:**

Note\* See your local hardware store for replacement bulbs & fuses.

# Auger Housing Group



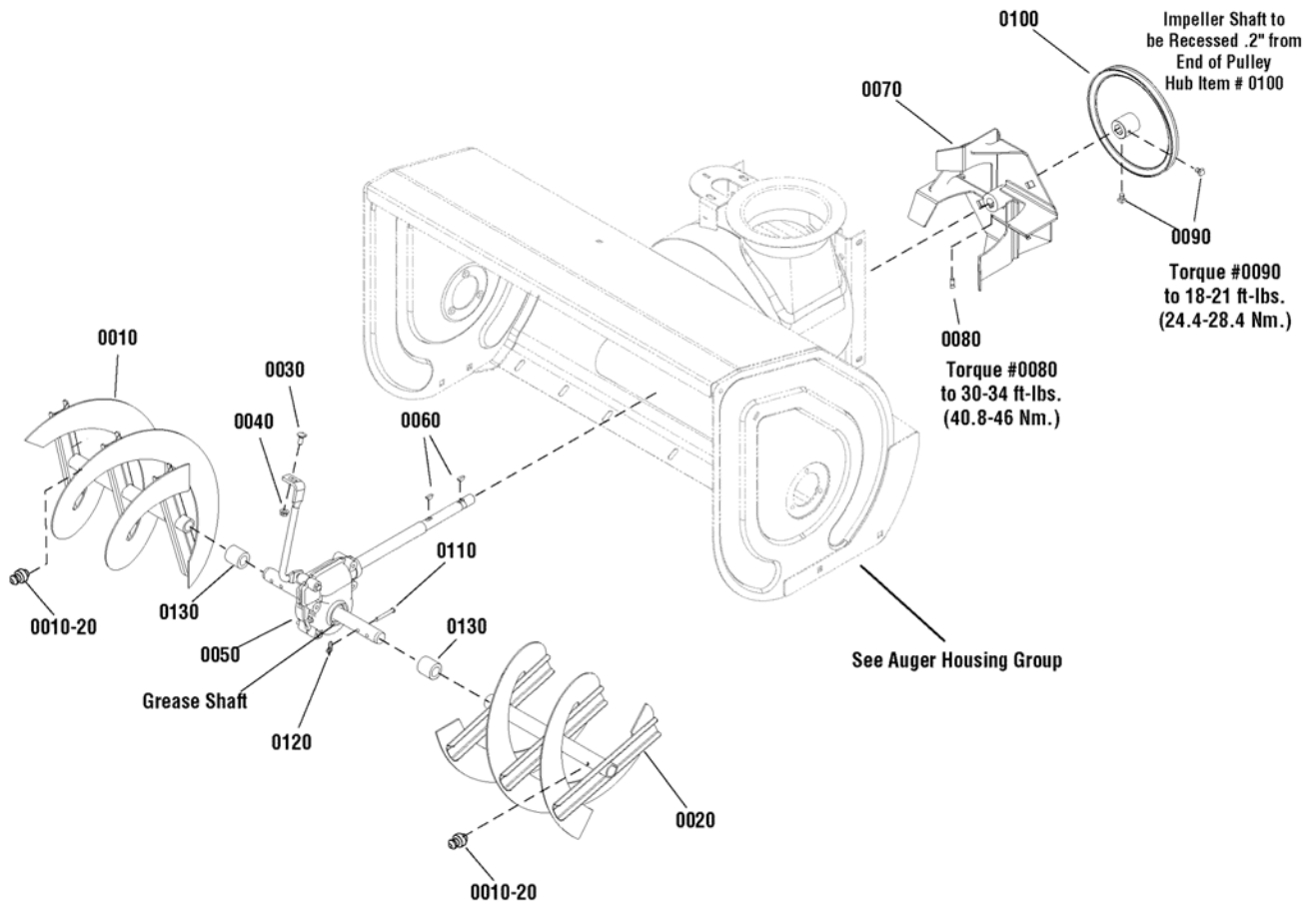


<b>Item</b>	<b>Part No</b>	<b>Qty</b>	<b>Description</b>
0010	1687614	1	AUGER HOUSING ASSEMBLY, 26"
0010	1687613	1	AUGER HOUSING ASSEMBLY, 28"
0010	1687606	1	AUGER HOUSING ASSEMBLY, 30"
0020	1733102BM	2	DRIFT CUTTER
0030	725347	2	NUT, Wing, Serrated, 5/16-18
0040	723873	2	BOLT, Carriage, 5/16-18 x 3/4
0050	1739305	3	NUT, Hex Flange, ESNA, 5/16-18
0060	1732384BM	1	BLADE, Scraper, 26"
0060	1709947BM	1	BLADE, Scraper, 28"
0060	1732385BM	1	BLADE, Scraper, 30"
0070	1960699	7	BOLT, Carriage, Short Neck, 5/16-18 x 5/8, G5 (Qty 5 used on 26" & 28")
0080	1935048	7	NUT, Hex Flange, Two Way Lock, 5/16-18 (Qty 5 used on 26" & 28")
0090	1960711	4	BOLT, Carriage, Short Neck, 3/8-16 x 3/4, G5
0100	1727854BM	2	SKID SHOE
0110	1960687	4	NUT, Hex Flange, ESNA, 3/8-16
0120	1733103	2	BEARING, Flange, 1.383 ID x 3.75OD
0130	1931202	6	SCREW, Hex Washer Head, Taptite, 5/16-18 x 1-1/4
0140	722401	2	NUT, Nylock 10 x 24
0150	1736620	2	CLAMP
0160	1960569	2	SCREW, Truss Head Torx, #10-24 x 3/8
0170	1736094	1	BRUSH, Cleanout
0180	2108202	1	BEARING, Ball, 3/4 ID x 1-3/4 OD
0190	1665982	1	RETAINER, Bearing
0200	1931333	3	BOLT, Carriage, Short Neck, 5/16-18 x 3/4, G5
0210	1734932BM	2	COVER, Bushing

Not for  
Reproduction

**Footnotes:**

# Auger Drive Group

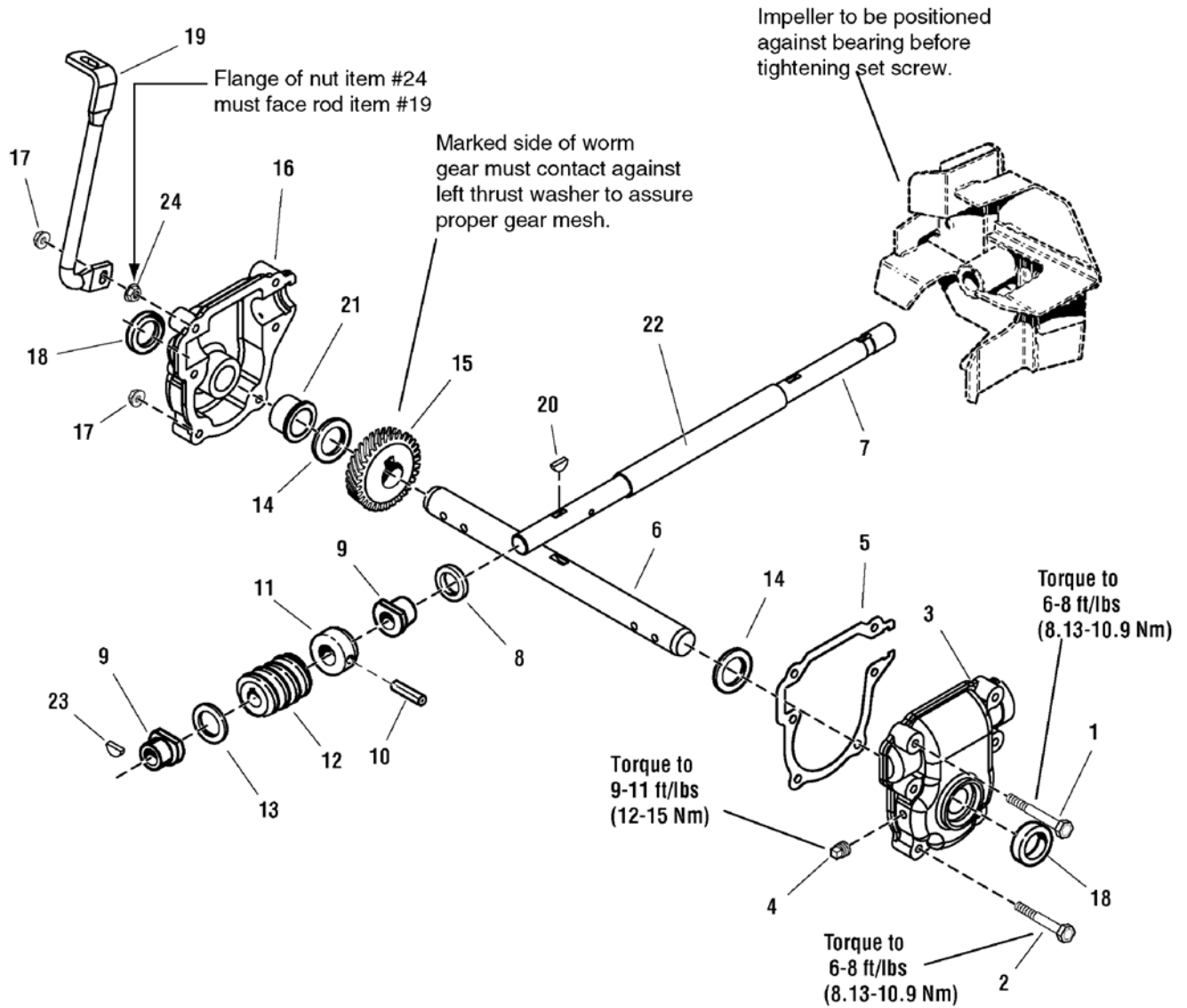


<b>Item</b>	<b>Part No</b>	<b>Qty</b>	<b>Description</b>
0010	1737078BM	1	AUGER, RH, 28" / 30" (Includes Ref. No. 0010-20)
0010	1737082BM	1	AUGER, RH, 26" (Includes Ref. No. 0010-20)
0020	1737079BM	1	AUGER, LH, 28" / 30" (Includes Ref. No. 0010-20)
0020	1737083BM	1	AUGER, RH, 26" (Includes Ref. No. 0010-20)
0010-20	2821133	1	FITTING, Grease
0030	1931333	1	BOLT, Carriage, Short Neck, 5/16-18 x 3/4, G5
0040	1931277	1	NUT, Hex Flange, Whiz Lock, 5/16-18
0050	1732303	1	GEAR CASE ASSEMBLY
0060	2818312	2	KEY, Woodruff
0070	1612187BM	1	IMPELLER
0080	1960474	1	SET SCREW, Square Head, 3/8-16 x 1/2, G8
0090	1928721	2	SET SCREW, Square Head, 5/16-18 x 1/2, G8
0100	1732185	1	PULLEY
0110	1739295	2	PIN, Shear, 1-3/4" (Use on 28 & 30" Models)
0110	1668344	2	PIN, Shear, 1-3/4" (Use on 26" Models)
0120	1739292	2	PIN, Cotter, Bow Tie, 3/16 (Use on 28 & 30" Models)
0120	7023590	2	PIN, Cotter, Self Locking, 1/4 (Use on 26" Models)
0130	1733406	2	SPACER, 1" (Used on 30" Models only)
--	1751347	1	KIT, Shear Pin (Use on 28 & 30" Models)
--	1750790	1	KIT, Shear Pin (Use on 26" Models)

Not for  
Reproduction

**Footnotes:**

# Gear Case Assembly - Heavy Duty

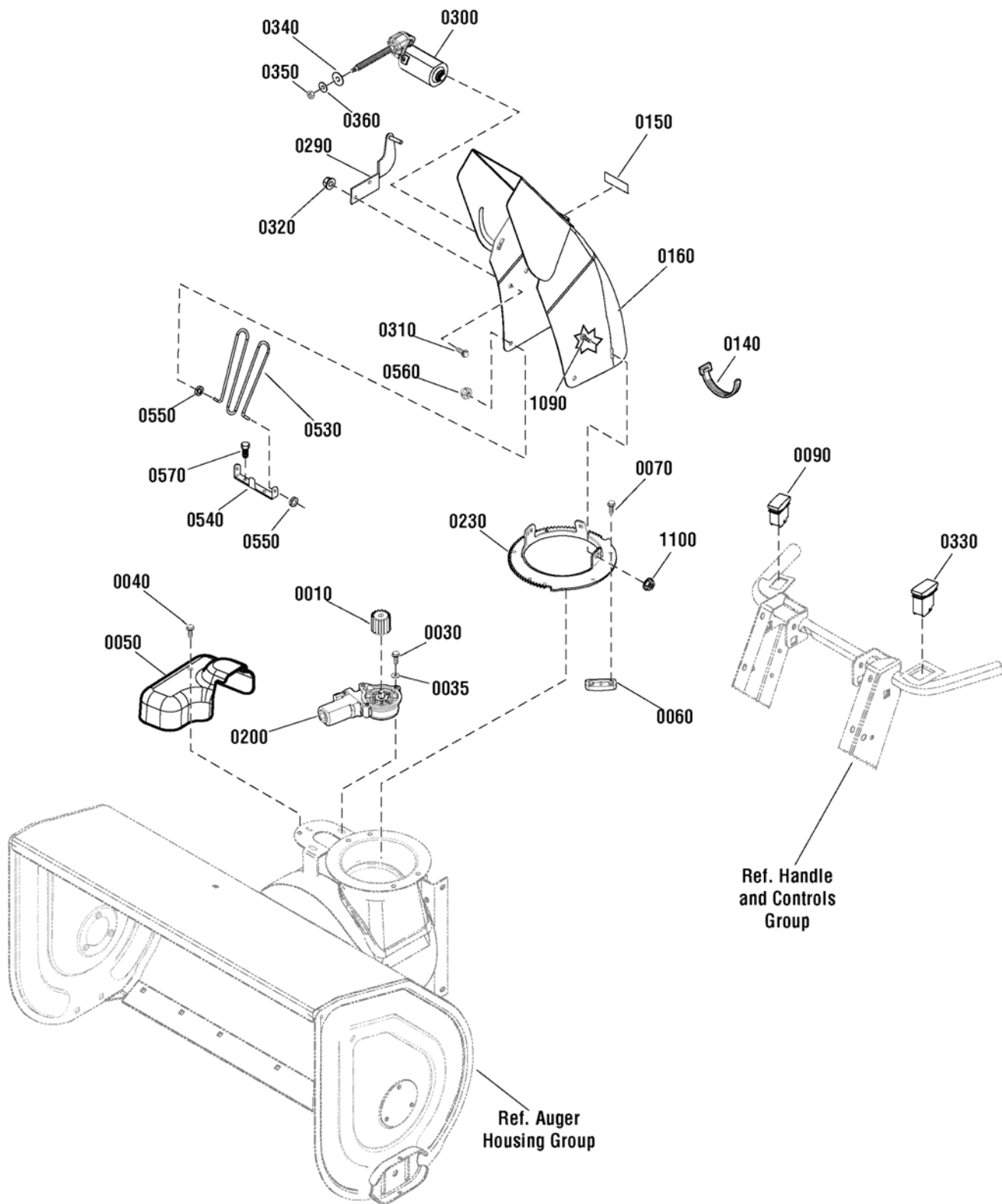


<b>Item</b>	<b>Part No</b>	<b>Qty</b>	<b>Description</b>
1	1926105	1	CAPSCREW, 1/4-20 x 2-3/4
2	1960346	5	CAPSCREW, 1/4-20 x 2-1/4
3	1734218	1	GEAR CASE, L.H.
4	1668971	1	TAPERED PIPE PLUG
5	1612124	1	GASKET
6	1732440	1	SHAFT, Auger Cutoff
7	1732182	1	SHAFT, Worm Cutoff
8	1612093	1	SEAL, Oil
9	1612149	2	FLANGE BUSHING
10	2836098	1	PIN, Drive Lock
11	1612127	1	THRUST COLLAR
12	1612142	1	ROLLED WORM CASE
13	2168111	1	THRUST WASHER
14	2118315	2	THRUST WASHER
15	1612141	1	GEAR, Worm
16	1734219	1	GEAR CASE, R.H.
17	1930642	6	NUT, Top Lock Flange, 1/4-20
18	2118118	1	SEAL
19	1732152	1	WIREFORM BRACKET
20	2818312	1	KEY, Woodruff, .18 x .62
21	1732991	2	BUSHING
22	1612111	1	TUBE
23	2830246	1	KEY, Woodruff, 1/4 x 3/4
24	1960294	1	NUT, Hex-Flange, 1/4-20

Not for  
Reproduction

**Footnotes:**

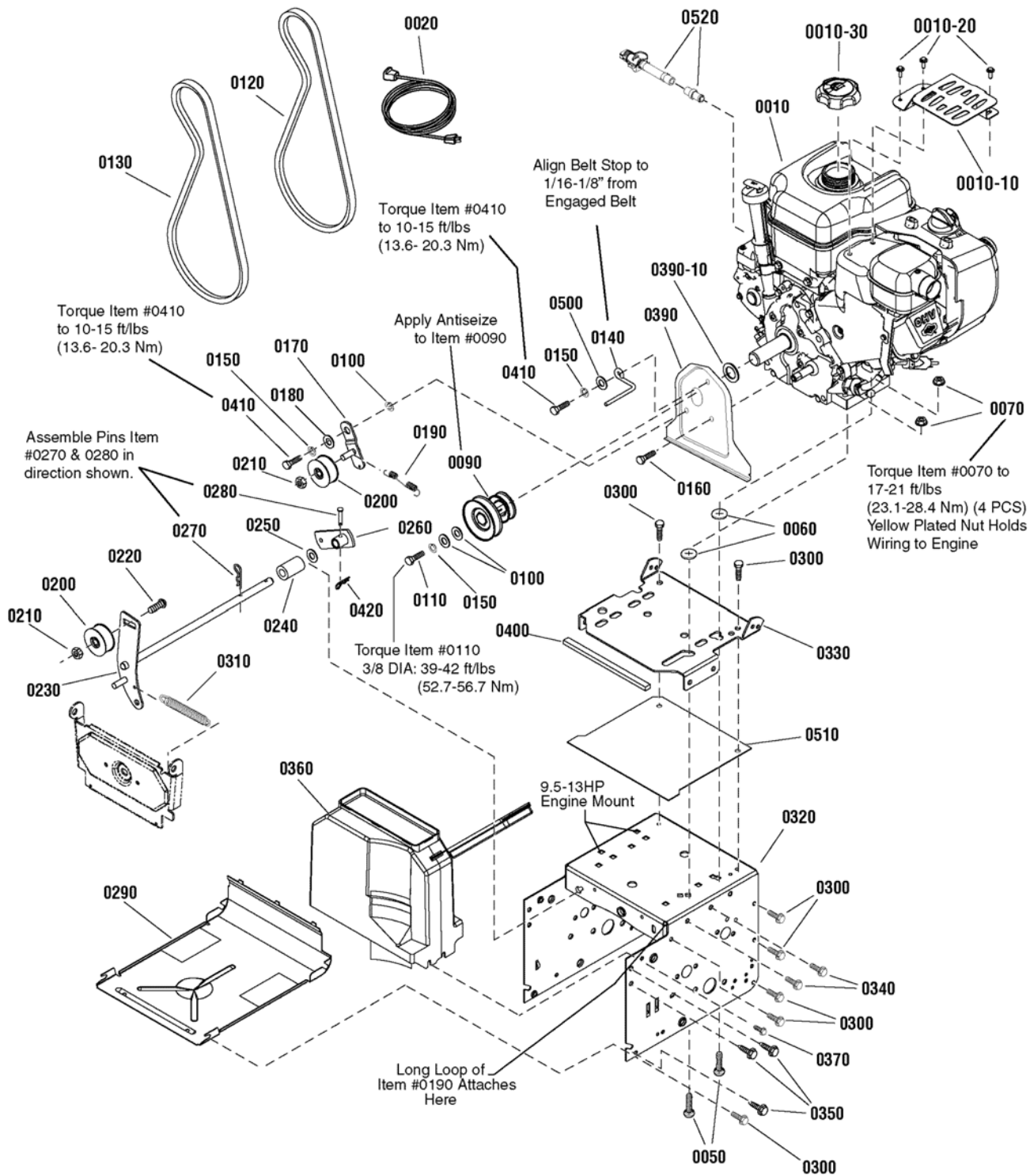
# Chute & Rotation Group



<b>Item</b>	<b>Part No</b>	<b>Qty</b>	<b>Description</b>
0010	1728967	1	PINION
0030	1739621	3	SCREW, Torx Button Head, M5 x .8 x 14
0035	7091552	3	WASHER, Flat, 1/4
0040	1925592	1	SCREW, Hex Washer Head, Taptite, 1/4-20 x 3/4
0050	1752877	1	COVER, Electric Chute Rotation
0060	7011938	3	RETAINER, Spout
0070	1960001	6	SCREW, Hex Washer Head, Plastite, 10-14 x 5/8
0090	1752240	1	SWITCH, Chute Rotation
0140	2825094	1	TIE, Self Locking
0150	1733601	2	DECAL, Hinge
0160	1738231H	1	DISCHARGE CHUTE
0200	1739309	1	MOTOR, Chute Rotation
0230	1737962BM	1	GEAR, Chute
0290	1738267BM	1	BRACKET, Weld Stud
0300	1737941	1	MOTOR, Chute Deflector
0310	1960715	2	SCREW, Truss Head Torx, 1/4-20 x 3/4
0320	1960694	2	NUT, Hex Flange, ESNA, 1/4-20
0330	1737379	1	SWITCH / COVER
0340	1738244	1	WASHER, Rubber
0350	1738245	1	NUT, Left Hand
0360	5025154	1	WASHER, 1/4
0530	1733475	1	GUARD, Chute (Export Models Only)
0540	1737683	1	BRACKET, Chute Guard (Export Models Only)
0550	1738174	2	GROMMET, Chute (Export Models Only)
0560	1960140	2	NUT, Push, 3/16 (Export Models Only)
0570	1925003	2	SCREW, Hex Washer Head, Taptite, 1/4-20 x 1/2 (Export Models Only)
1090	1931317	3	BOLT, Carriage, Short Neck, 1/4-20 x 3/4, G5
1100	1960685	3	NUT, Hex KEPS, 1/4-20

**Footnotes:**

# Engine & Frame Group - 11.5TP



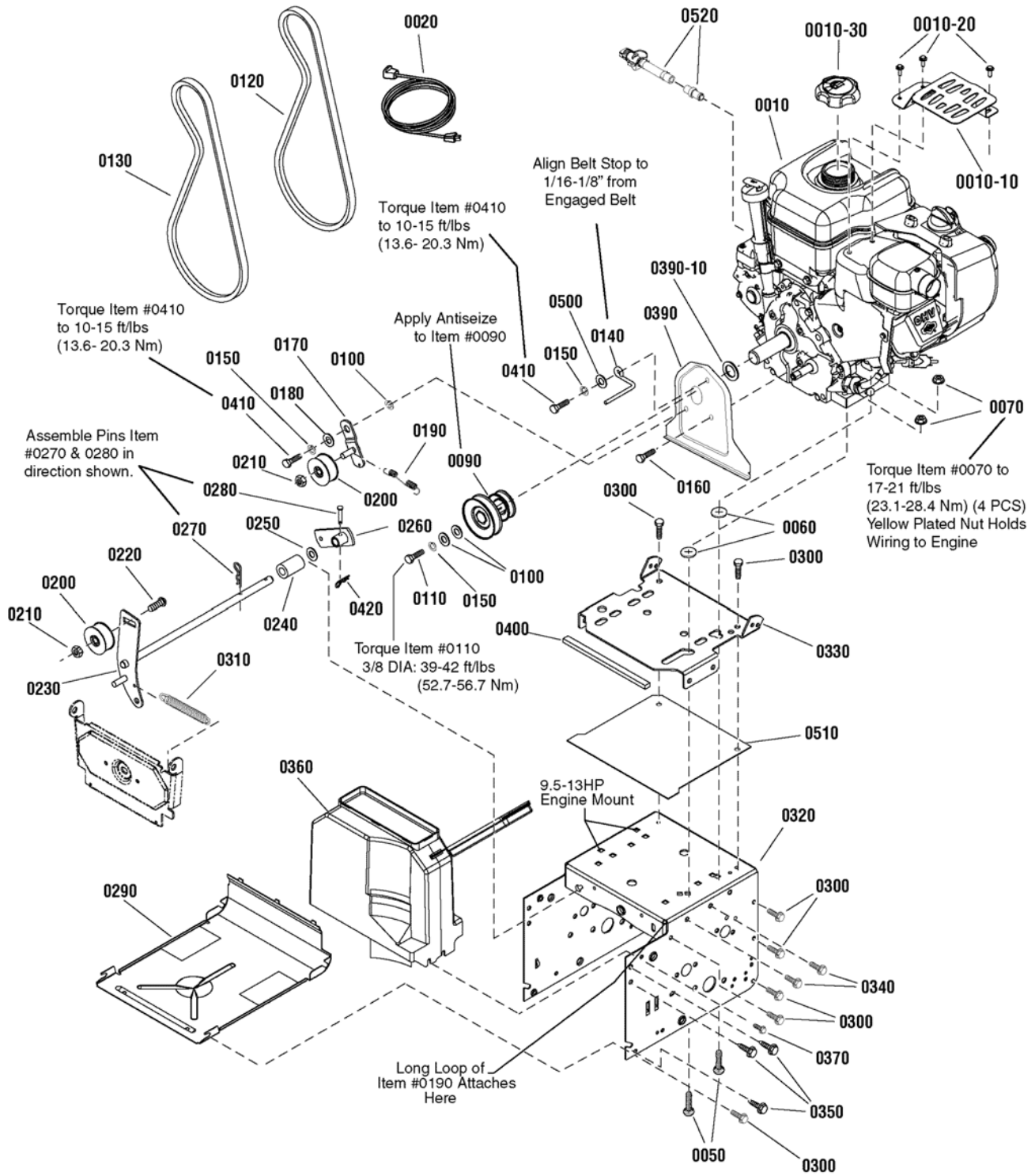


<b>Item</b>	<b>Part No</b>	<b>Qty</b>	<b>Description</b>
0010	15C114-0153-F8	1	* ENGINE, 11.5TP Briggs & Stratton (Engine Model: 15C114-0153-F8)
0010-10	797003	1	* GUARD, Muffler, Plate
0010-20	699854	1	* SCREW, Muffler Guard
0010-30	795027	1	* CAP, Fuel
0020	724865	1	CORD, 10FT, 110V
0050	720064	4	BOLT, Carriage, 5/16-18 x 1-1/2
0060	720376	4	NUT, Push, For 1/4 Stud
0070	1739305	4	NUT, Hex Flange, ESNA, 5/16-18
0090	722085	1	PULLEY
0100	1919381	3	WASHER, 5/16
0110	1921982	1	CAPSCREW, Hex Head, 5/16-24 x 1-1/4, G5
0120	1733324	1	V-BELT, Traction Drive, 3L, 33.13
0130	1736421	1	V-BELT, 4L, 38.35, Auger
0140	1739070	1	BELT GUIDE
0150	1917356	4	LOCKWASHER, Spring, 5/16
0160	1921515	1	CAPSCREW, Hex Head, 5/16-24 x 3/4, G5
0170	722090	1	BRACKET, Idler
0180	722072	1	BUSHING, Idler Bracket
0190	722457	1	SPRING, Extension, Idler
0200	722378	2	IDLER, Plastic Ball Bearing
0210	1960251	2	NUT, Hex Center Lock Jam, 3/8-16
0220	724823	1	BOLT, Carriage, Short Neck, 3/8-16 x 1-1/4, G5
0230	722132	1	AUGER IDLER
0240	722118	1	SPACER, 1/2 ID x 1 OD x 1-3/4"
0250	1960027	1	WASHER, 1/2
0260	1733451	1	ARM, Control
0270	725367	1	PIN, Hair
0280	1736381	1	PIN, Clevis
0290	1740906BM	1	PANEL, Bottom
0300	1927429	12	CAPSCREW, Hex Washer Head, Taptite, 1/4-20 x 5/8
0310	722455	1	SPRING, Extension, Auger
0320	1739311D	1	FRAME
0330	1733583D	1	PLATE, Engine Mount
0340	722838	4	CAPSCREW, Hex Washer Head, 5/16-18 x 1/2
0350	1664847	6	CAPSCREW, Hex Washer Head, Taptite, 5/16-18 x 3/4
0360	1751525	1	BELT COVER ASSEMBLY
0370	722887	2	SCREW, Hex Washer Head, Tapping, SEMS, 1/4 x 3/4
0390	1750241	1	WATER SHIELD ASSEMBLY (Includes Ref. No. 0390-10)
0390-10	1733898	1	SEAL, Foam
0400	1750172	1	SEAL, Strip
0410	725996	2	CAPSCREW, Hex, 5/16-24 x 1
0420	7023590	1	PIN, Cotter, Self Lock, 1/4
0500	7091528	1	WASHER, Flat, 3/8
0510	1750135	1	SEAL, Engine Plate

**Footnotes:**

NOTE: \* Purchase engine parts from engine manufacturer dealer.

# Engine & Frame Group - 11.5TP



---

<b>Item</b>	<b>Part No</b>	<b>Qty</b>	<b>Description</b>
0520	798980	1	* OIL DRAIN ASSEMBLY (Optional Accessory)

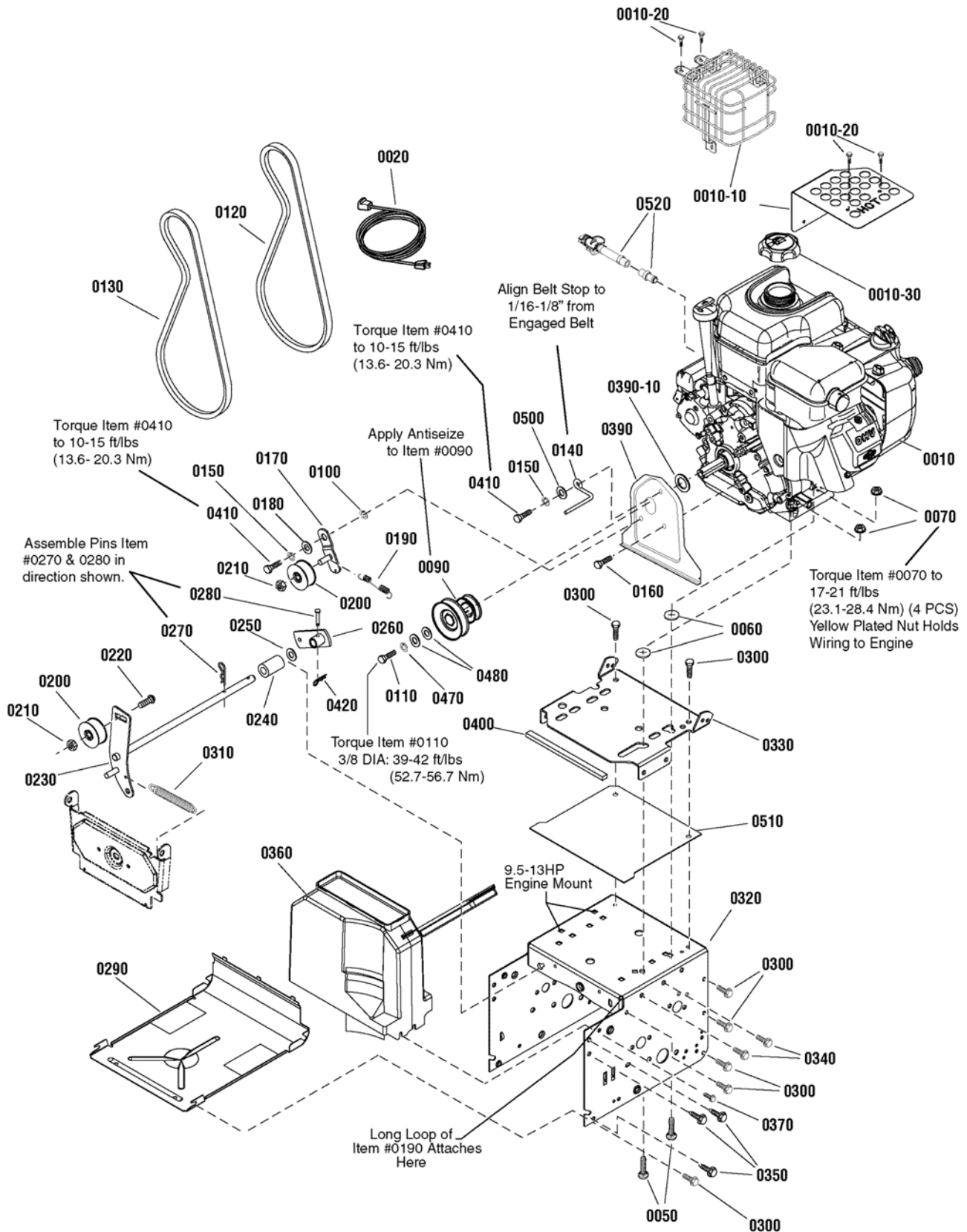
---

Not for  
Reproduction

**Footnotes:**

NOTE: \* Purchase engine parts from engine manufacturer dealer.

# Engine Group - 14.5HP & 16.5HP

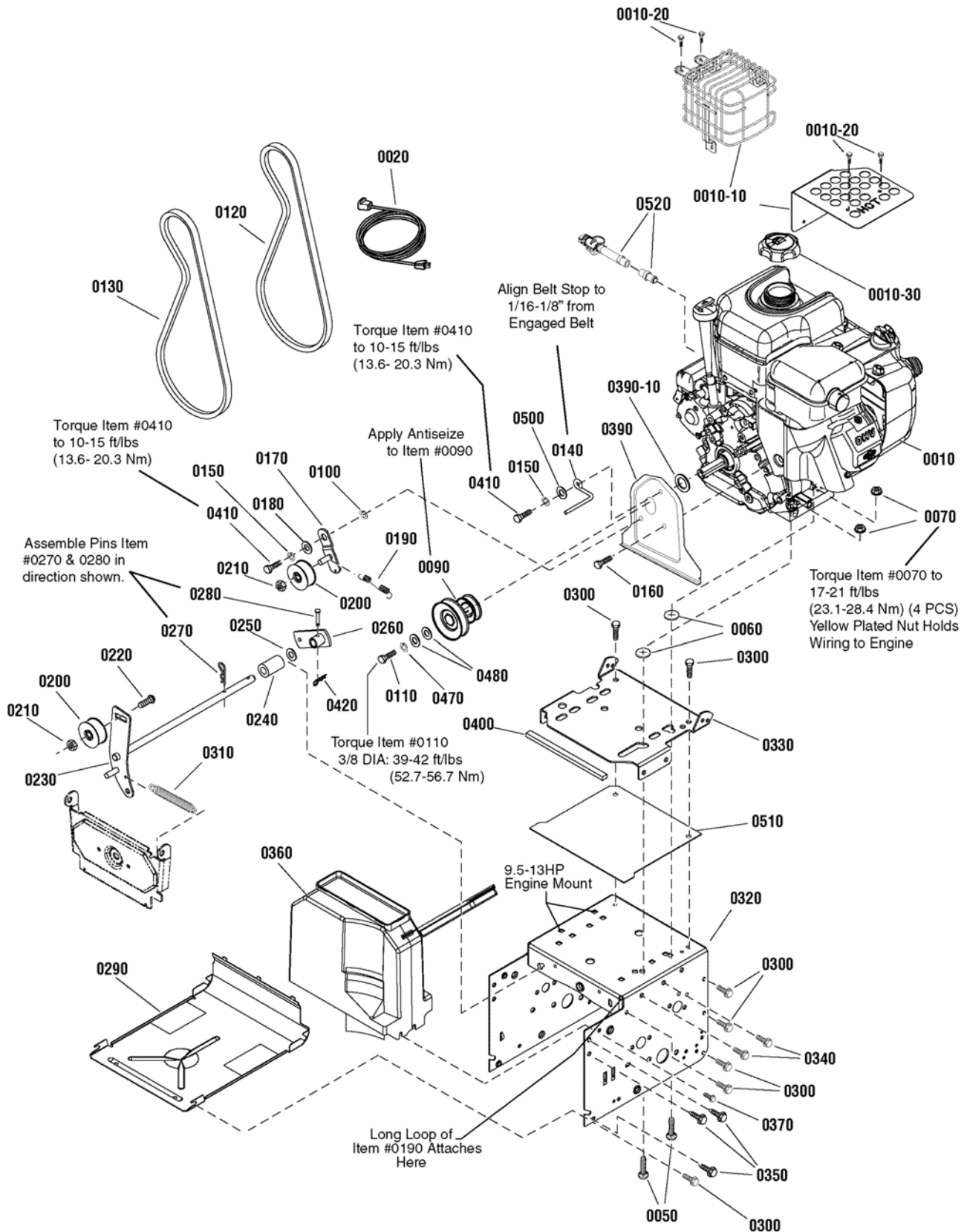


<b>Item</b>	<b>Part No</b>	<b>Qty</b>	<b>Description</b>
0010	20M314-0135-F1	1	* ENGINE, 14.5TP Briggs & Stratton, Domestic (Engine Model: 20M314-0135-F1)
0010	20M314-0142-H1	1	* ENGINE, 14.5TP Briggs & Stratton, Export (Engine Model: 20M314-0142-H1)
0010	21M314-0127-F1	1	* ENGINE, 16.5TP Briggs & Stratton, Domestic (Engine Model: 21M314-0127-F1)
0010	21M314-0129-H1	1	* ENGINE, 16.5TP Briggs & Stratton, Export (Engine Model: 21M314-0129-H1)
0010-10	797095	1	* GUARD, Muffler, Plate (Domestic Models)
0010-10	796384	1	* GUARD, Muffler, Cage (Export Models)
0010-20	699234	4	* SCREW, Muffler Guard
0010-30	795027	1	* CAP, Fuel
0020	724865	1	CORD, Electric (Domestic Models Only)
0050	720064	4	BOLT, Carriage, 5/16-18 x 1-1/2
0060	720376	4	NUT, Push, 1/4
0070	1739305	4	NUT, Hex Flange, ESNA, 5/16-18
0090	722085	1	PULLEY, Engine
0100	1919381	1	WASHER, 5/16
0110	1960428	1	CAPSCREW, Hex Head, 3/8-24 x 1-1/4 G8
0120	1733324	1	V-BELT, Traction Drive, 3L, 33.13
0130	1736421	1	V-BELT, 4L, 38.35, Auger
0140	1739070	1	BELT GUIDE
0150	1917356	3	LOCKWASHER, Spring 5/16
0160	1921515	1	CAPSCREW, Hex Head, 5/16-24 x 3/4 G5
0170	722090	1	IDLER BRACKET
0180	722072	1	BUSHING, Idler Bracket
0190	722457	1	SPRING, Extension, Idler
0200	722378	2	IDLER
0210	1960251	2	NUT, Hex Center Lock Jam, 3/8-16
0220	724823	1	BOLT, Carriage, Short Neck, 3/8-16 x 1-1/2 G5
0230	722132	1	AUGER IDLER
0240	722118	1	SPACER, 1/2 ID x 1 OD x 1-3/4"
0250	1960027	1	WASHER, 1/2
0260	1733451	1	ARM, Control
0270	725367	1	PIN, Hair
0280	1736381	1	PIN, Clevis
0290	1740906BM	1	PANEL, Bottom
0300	1927429	12	SCREW, Hex Washer Head, Taptite, 1/4-20 x 5/8
0310	722455	1	SPRING, Extension, Auger
0320	1733154D	1	FRAME
0330	1733583D	1	PLATE, Engine Mount
0340	722838	4	SCREW, Hex Washer Head, 5/16/18 x 1/2
0350	1664847	6	SCREW, Hex Washer Head, Taptite, 5/16-18 x 3/4
0360	1733923	1	BELT COVER ASSEMBLY
0370	1751355	2	SCREW, Hex Washer Head, Tap, SEMS, 1/4-20 x 3/4
0390	1733868BM	1	PLATE, Seal
0390-10	1750185	1	SEAL, Foam
0400	1750172	1	STRIP, Seal

**Footnotes:**

NOTE: \* Purchase engine parts from engine manufacturer dealer.

# Engine Group - 14.5HP & 16.5HP



---

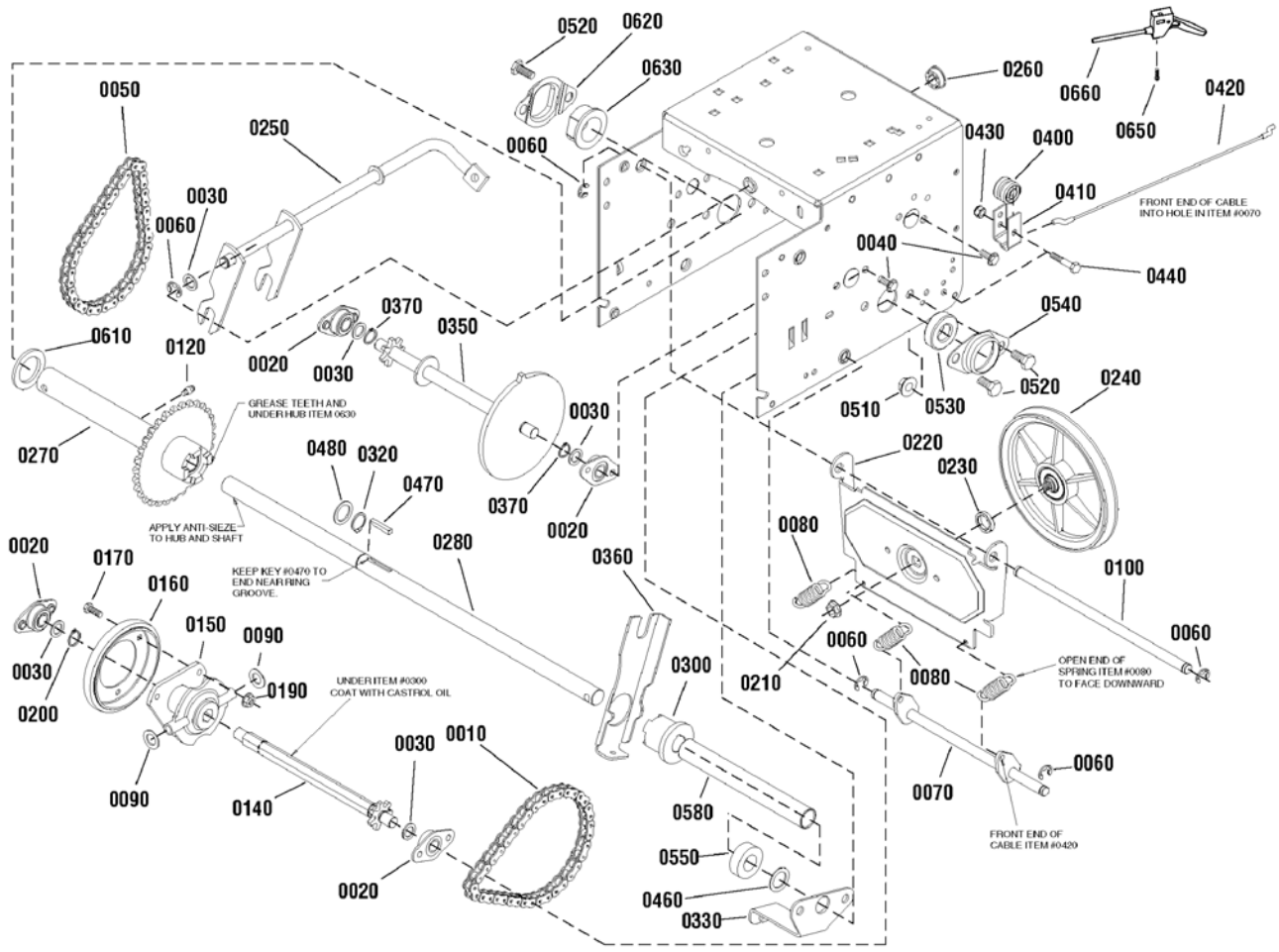
<b>Item</b>	<b>Part No</b>	<b>Qty</b>	<b>Description</b>
0410	725996	2	BOLT, Hex 5/16-24 x 1
0420	7023590	1	PIN, Cotter, Self Locking, 1/4
0470	1916965	1	LOCKWASHER, Spring, 3/8 (Use on 14.5TP Models)
0470	1916955	1	WASHER, 3/16 (Use on 16.5TP Models)
0480	1922755	2	WASHER, 3/8
0500	7091528	1	WASHER, Flat, 3/8
0510	1750134	1	SEAL, Engine Plate
0520	798980	1	OIL DRAIN ASSY, 4.5"

Not for  
Reproduction

**Footnotes:**

NOTE: \* Purchase engine parts from engine manufacturer dealer.

# Traction Drive Group - Easy Turn

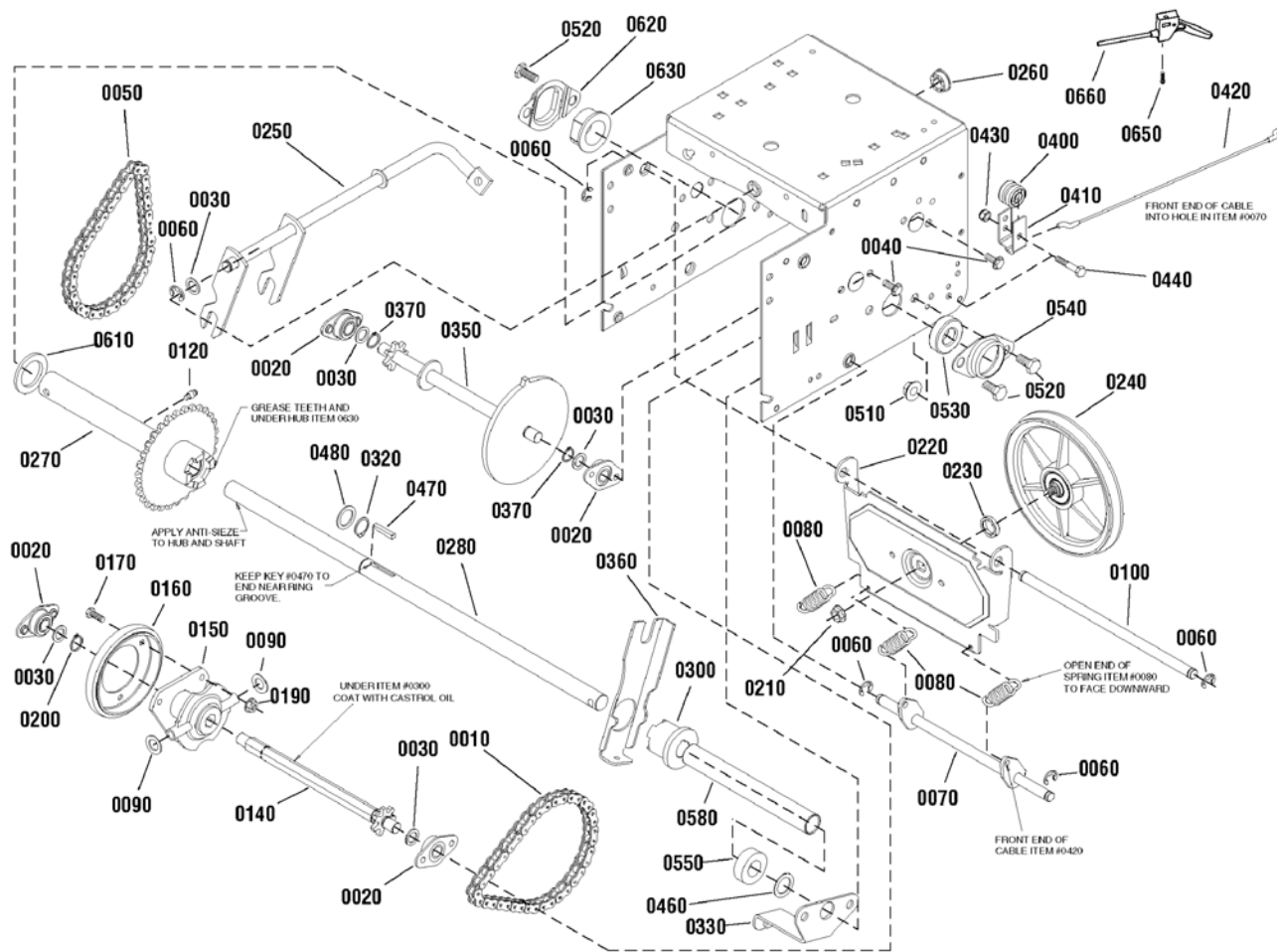




<b>Item</b>	<b>Part No</b>	<b>Qty</b>	<b>Description</b>
0010	724613	1	CHAIN, Roller 420 x 19 Lg
0020	723655	4	RETAINER & BUSHING ASSEMBLY
0030	724619	5	WASHER, Flat, 1/2
0040	1924856	8	CAPSCREW, Hex WasherHead, 5/16-18 x 1/2
0050	724627	1	CHAIN, Roller 420 X 18 Lg
0060	721910	5	RETAINER, Ring, 7/16
0070	722377	1	SPRING LINK ASSEMBLY
0080	1736469	3	SPRING, Extension
0090	1960027	2	WASHER, 1/2
0100	722082	1	AXLE, Swing Plate, 7/16 Dia., 10-1/2 Lg
0120	2812808	1	FITTING, Lube, 1/4-28
0140	722083	1	HEX SHAFT & SPROCKET ASSEMBLY
0150	723694	1	HUB, Friction Wheel & Bearing
0160	722185	1	WHEEL, Friction
0170	1921959	3	CAPSCREW, Hex Head, 1/4-20 x 5/8, G5
0190	1928372	3	NUT, Hex, 1/4-20
0200	1733326	1	RING, Retaining, # 63
0210	722391	1	NUT, Flange-Lock, 3/8-24
0220	722069	1	PLATE, Swinging
0230	722110	1	SPACER, Friction Pulley
0240	722092	1	FRICTION PULLEY ASSEMBLY
0250	722087	1	SPEED SELECTOR ASSEMBLY
0260	724636	1	BEARING, Flange, 1/2 ID x 7/8 OD
0270	1733085	1	SPROCKET & HUB ASSEMBLY
0280	1732381	1	AXLE, 3/4 Dia., 22-3/4 Lg
0300	1732382	1	GEAR, Clutching, 3/4 ID 17/8 OD, 1-1/2 Lg
0320	2827732	1	RING, Retaining, # 74, 3/4 Dia.
0330	1732948A	1	SUPPORT, Cable
0350	1732389	1	SPROCKET & SHAFT ASSEMBLY
0360	1732383A	1	ARM, Clutch
0370	720009	2	RING, Retaining, 1/2 Dia.
0400	724621	1	SPOOL CABLE, Auger Control
0410	722070	1	BRACKET, Cable Spool
0420	722095	1	CABLE, Front Drive, Lower
0430	1920397	1	NUT, Hex-Lock, 1/4-20
0440	1922837	1	CAPSCREW, Hex Head, 1/4-20 x 1-1/2, G5
0460	725394	1	WASHER, Flat, 3/4
0470	1667622	1	KEY, 1-9/64
0480	1960114	1	WASHER, 3/4
0510	1928352	4	NUT, Hex Flange, Locking, 3/8-16
0520	1921965	4	CAPSCREW, Hex Head, 3/8-16 x 3/4, G5
0530	724409	1	BEARING, Ball, 3/4 ID x 1-5/8 OD
0540	1736396	1	RETAINER, Bearing, Flanged
0550	722228	1	COLLAR, Locking

**Footnotes:**

# Traction Drive Group - Easy Turn



---

<b>Item</b>	<b>Part No</b>	<b>Qty</b>	<b>Description</b>
0580	1720298	1	SPRING, Compression
0610	2860169	1	WASHER, 3/16
0620	1733101	1	RETAINER, Bushing
0630	1720305	1	BUSHING, 5/32
0650	1725702	1	SCREW, Pan Head, #10 x 1/2
0660	1718791	1	CABLE & HANDLE ASSEMBLY

Not for  
Reproduction

**Footnotes:**

0130

⚠ DANGER	
<p><b>Amputation Hazard</b>                      • Contact with anger will cause serious injury.                      • Keep hands, feet and clothing away.                      • Keep bystanders away.</p>	<p><b>Risque d'amputation</b>                      • Tout contact avec la tarière provoquera de graves blessures.                      • Tenir vos pieds, vos mains et vêtements à distance.                      • Tenir les spectateurs à distance.</p>
<p><b>Thrown Objects Hazard</b>                      • Never direct discharge chute towards persons or property.</p>	<p><b>Danger objets projetés</b>                      • Ne jamais diriger la chute en direction des personnes ou biens matériels.</p>
<p>Read the operator's manual for operating and safety instructions.</p>	<p>Lirez les consignes de sécurité et d'utilisation dans le manuel d'utilisation.</p>
<p>Shut off engine and remove key before performing maintenance or repair work.</p>	<p>Arrêter le moteur et retirer la clé avant d'effectuer tout entretien ou toute réparation.</p>

0050


0100

**SNAPPER**

0105

**SNAPPER**

0060

0070

0040

**MODEL #**

0110

0085

0095

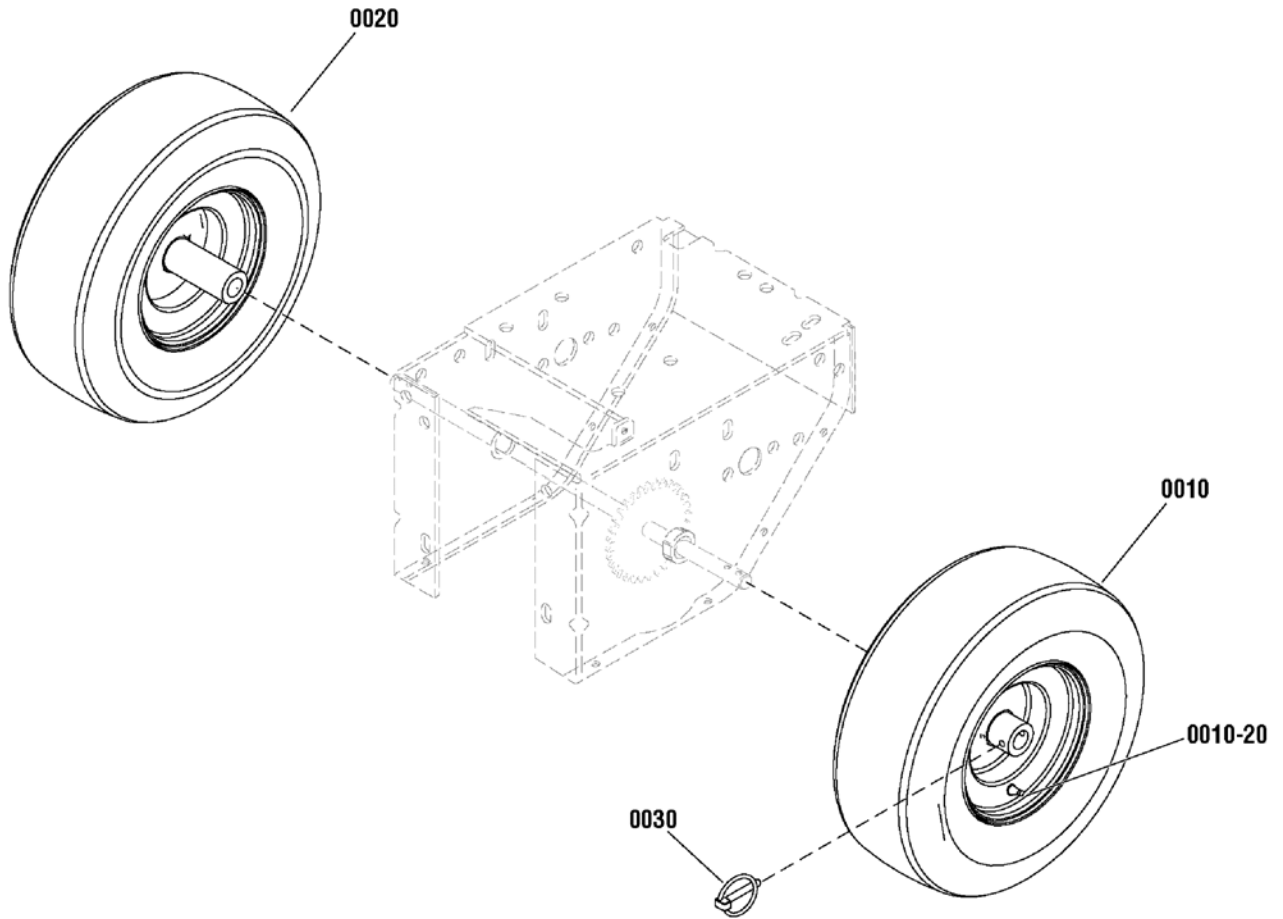
6  
5  
4  
3  
2  
1  
↑  
R1  
R2

---

<b>Item</b>	<b>Part No</b>	<b>Qty</b>	<b>Description</b>
0040	1737865	1	DECAL, Danger Chute, FR/ENG (Domestic Models)
0040	1727207	1	DECAL, Chute Warning, Export (Export Models)
0050	1737866	1	DECAL, Danger, Foot, FR/ENG (Domestic Models)
0050	1737867	1	DECAL, Danger Auger Icons (Export Models)
0060	1737869	1	DECAL, Auger Control Symbols
0070	1737870	1	DECAL, Traction Control Symbols
0085	1738282	1	DECAL, Dash Operation
0095	1751582	1	DECAL, Gear Shift
0100	1750411	1	DECAL, Logo, Dash
0105	1750913	1	DECAL, Logo
0110	1750412	1	DECAL, L1226E, 26"
0110	1750413	1	DECAL, L1528E, 28"
0110	1750418	1	DECAL, L1528EX, 28"
0110	1750414	1	DECAL, L1730E, 30"
0110	1750419	1	DECAL, L1730EX, 30"
0130	1752570	1	DECAL, Turtle (28" & 30" Domestic Models Only)

Not for  
Reproduction

**Footnotes:**



<b>Item</b>	<b>Part No</b>	<b>Qty</b>	<b>Description</b>
0010	1738361	1	WHEEL & TIRE ASSEMBLY, LH, 16x4.80-8 Artic Trac, Silver Rim w/5" LG Hub (Includes Ref. No. 0010-20) (Use with 26" & 28" Auger Housing)
0010	1738363	1	WHEEL & TIRE ASSEMBLY, LH, 16x6.50-8 Artic Trac, Silver Rim w/5" LG Hub (Includes Ref. No. 0010-20) (Use with 30" Auger Housing)
0020	1738360	1	WHEEL & TIRE ASSEMBLY, RH, 16x4.80-8 Artic Trac, Silver Rim w/4" LG Hub (Includes Ref. No. 0010-20) (Use with 26" & 28" Auger Housing)
0020	1738362	1	WHEEL & TIRE ASSEMBLY, RH, 16x6.50-8 Artic Trac, Silver Rim w/4" LG Hub (Includes Ref. No. 0010-20) (Use with 30" Auger Housing)
0010-20	2172353	2	VALVE STEM & CAP, .88" LG
0030	1731186	2	PIN, Klik, 5/16" OD x 1.7" LG

Not for  
Reproduction

**Footnotes:**







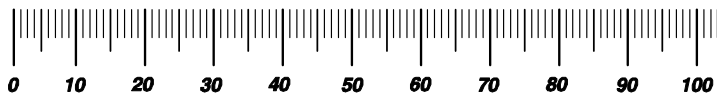


# Hardware Identification & Torque Specifications

Torque Specification Chart								
FOR STANDARD METRIC MACHINE HARDWARE (Tolerance ± 20%)								
Property Class	5.6		8.8		10.9		12.9	
	Class 5.6		Class 8.8		Class 10.9		Class 12.9	
Size Of Hardware	in/lbs		in/lbs		in/lbs		in/lbs	
	ft/lbs	Nm.	ft/lbs	Nm.	ft/lbs	Nm.	ft/lbs	Nm.
M3	5.88	.56	13.44	1.28	19.2	1.80	22.92	2.15
M4	13.44	1.28	30.72	2.90	43.44	4.10	52.56	4.95
M5	26.4	2.50	60.96	5.75	5.97	8.10	7.15	9.7
M6	44.64	4.3	7.3	9.9	10.3	14	12.1	16.5
M7	5.2	7.1	12.1	16.5	16.9	23	19.9	27
M8	7.7	10.5	17.7	24	25	34	29	40
M10	15	21	35	48	50	67	59	81
M12	26	36	61	83	86.2	117	103	140
M14	42	58	101	132	136	185	162	220
M16	64	88	147	200	210	285	250	340
M18	89	121	202	275	287	390	346	470
M20	126	171	290	390	405	550	486	660
M22	169	230	390	530	559	745	656	890
M24	217	295	497	375	708	960	840	1140
M27	320	435	733	995	1032	1400	1239	1680
M30	435	590	995	1350	1401	1900	1681	2280
M33	590	800	1349	1830	1902	2580	2278	3090
M36	759	1030	1740	2360	2441	3310	2935	3980
M39	988	1340	2249	3050	3163	4290	3798	5150

Torque Specification Chart						
FOR STANDARD MACHINE HARDWARE (Tolerance ± 20%)						
Hardware Grade	No Marks		SAE Grade 5		SAE Grade 8	
	SAE Grade 2		SAE Grade 5		SAE Grade 8	
Size Of Hardware	in/lbs		in/lbs		in/lbs	
	ft/lbs	Nm.	ft/lbs	Nm.	ft/lbs	Nm.
8-32	19	2.1	30	3.4	41	4.6
8-36	20	2.3	31	3.5	43	4.9
10-24	27	3.1	43	4.9	60	6.8
10-32	31	3.5	49	5.5	68	7.7
1/4-20	66	7.6	8	10.9	12	16.3
1/4-28	76	8.6	10	13.6	14	19.0
5/16-18	11	15.0	17	23.1	25	34.0
5/16-24	12	16.3	19	25.8	29	34.0
3/8-16	20	27.2	30	40.8	45	61.2
3/8-24	23	31.3	35	47.6	50	68.0
7/16-14	30	40.8	50	68.0	70	95.2
7/16-20	35	47.6	55	74.8	80	108.8
1/2-13	50	68.0	75	102.0	110	149.6
1/2-20	55	74.8	90	122.4	120	163.2
9/16-12	65	88.4	110	149.6	150	204.0
9/16-18	75	102.0	120	163.2	170	231.2
5/8-11	90	122.4	150	204.0	220	299.2
5/8-18	100	136	180	244.8	240	326.4
3/4-10	160	217.6	260	353.6	386	525.0
3/4-16	180	244.8	300	408.0	420	571.2
7/8-9	140	190.4	400	544.0	600	816.0
7/8-14	155	210.8	440	598.4	660	897.6
1-8	220	299.2	580	788.8	900	1,244.0
1-12	240	326.4	640	870.4	1,000	1,360.0

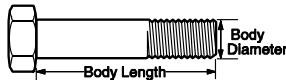
The guides and ruler furnished below are designed to help you select the appropriate hardware.



Nut, M8

Thread Diameter (mm)  
Inside Diameter (in)    Threads per inch

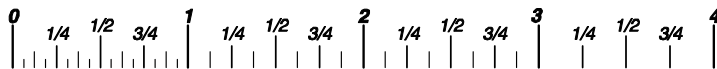
Nut, 1/2-16



Screw, M8- 1.25 x 25

Thread Diameter (mm)    Distance between threads (mm)    Body Length (mm)  
Body Diameter    Threads per inch    Body Length (in)

Screw, 1/2- 16 x 2



## Standard Hardware Sizing

When a washer or nut is identified as 1/2" (M8), this is the *Nominal size*, meaning the *inside diameter* is 1/2 inch (8mm metric thread diameter); if a second number is present it represents the *threads per inch* (distance between threads).

When bolt or capscrew is identified as 1/2 - 16 x 2" (M8 - 1.25 x 50), this means the *Nominal size*, or body diameter is 1/2 inch (8mm metric thread diameter), the second number, 16, represents the *threads per inch*, (1.25 thread diameter). The final number is the body length of the bolt or screw, 2 inches (50mm).

## NOTES

- These torque values are to be used for all hardware excluding: locknuts, self-tapping screws, thread forming screws, sheet metal screws and socket head setscrews.
- Recommended seating torque values for locknuts:
  - for prevailing torque locknuts - use 65% of grade5 torques.
  - for flange whizlock nuts and screws - use 135% of grade 5 torques.
- Unless otherwise noted on assembly drawings, all torque values must meet this specification.

## Common Hardware Types

Hex Head Capscrew



Washer

Lockwasher

Carriage Bolt



Hex Nut

## Wrench & Fastener Size Guide

1/4" Bolt or Nut Wrench—7/16"	5/16" Bolt or Nut Wrench—1/2"	3/8" Bolt or Nut Wrench—9/16"	7/16" Bolt or Nut Wrench (Bolt)—5/8" Wrench (Nut)—11/16"	1/2" Bolt or Nut Wrench—3/4"
M6 Bolt or Nut Wrench—10mm	M8 Bolt or Nut Wrench—13mm	M10 Bolt or Nut Wrench—17mm	M12 Bolt or Nut Wrench—19mm	M14 Bolt or Nut Wrench—22mm

**Parts Manual for**

# **SNAPPER®**

## **26", 28" & 30" TWO STAGE LARGE FRAME SNOWTHROWERS 2011**

Not for  
Reproduction

IT IS THE POLICY OF BRIGGS & STRATTON CORP TO IMPROVE ITS PRODUCTS WHENEVER IT IS POSSIBLE AND PRACTICAL TO DO SO. WE RESERVE THE RIGHT TO MAKE CHANGES OR ADD IMPROVEMENTS AT ANY TIME WITHOUT INCURRING ANY OBLIGATION TO MAKE SUCH CHANGES ON PRODUCTS

**Briggs & Stratton Yard Power Products Group**

535 Macon Road  
McDonough, GA, 30253 U.S.A.  
800-935-2967

[www.snapper.com](http://www.snapper.com)

Copyright © 2011 Briggs & Stratton Corporation  
Milwaukee, WI USA. All Rights Reserved

**Manual No. 7105286**

**Revision: - 6/14/2011**

## Free Manuals Download Website

<http://myh66.com>

<http://usermanuals.us>

<http://www.somanuals.com>

<http://www.4manuals.cc>

<http://www.manual-lib.com>

<http://www.404manual.com>

<http://www.luxmanual.com>

<http://aubethermostatmanual.com>

Golf course search by state

<http://golfingnear.com>

Email search by domain

<http://emailbydomain.com>

Auto manuals search

<http://auto.somanuals.com>

TV manuals search

<http://tv.somanuals.com>