

Parts Manual for
SNAPPER[®]

FRONT TINE TILLERS
SERIES 0 & 1



MODEL
300T
301T
401TCR
500T
500TC
500TRC
501T
501TC

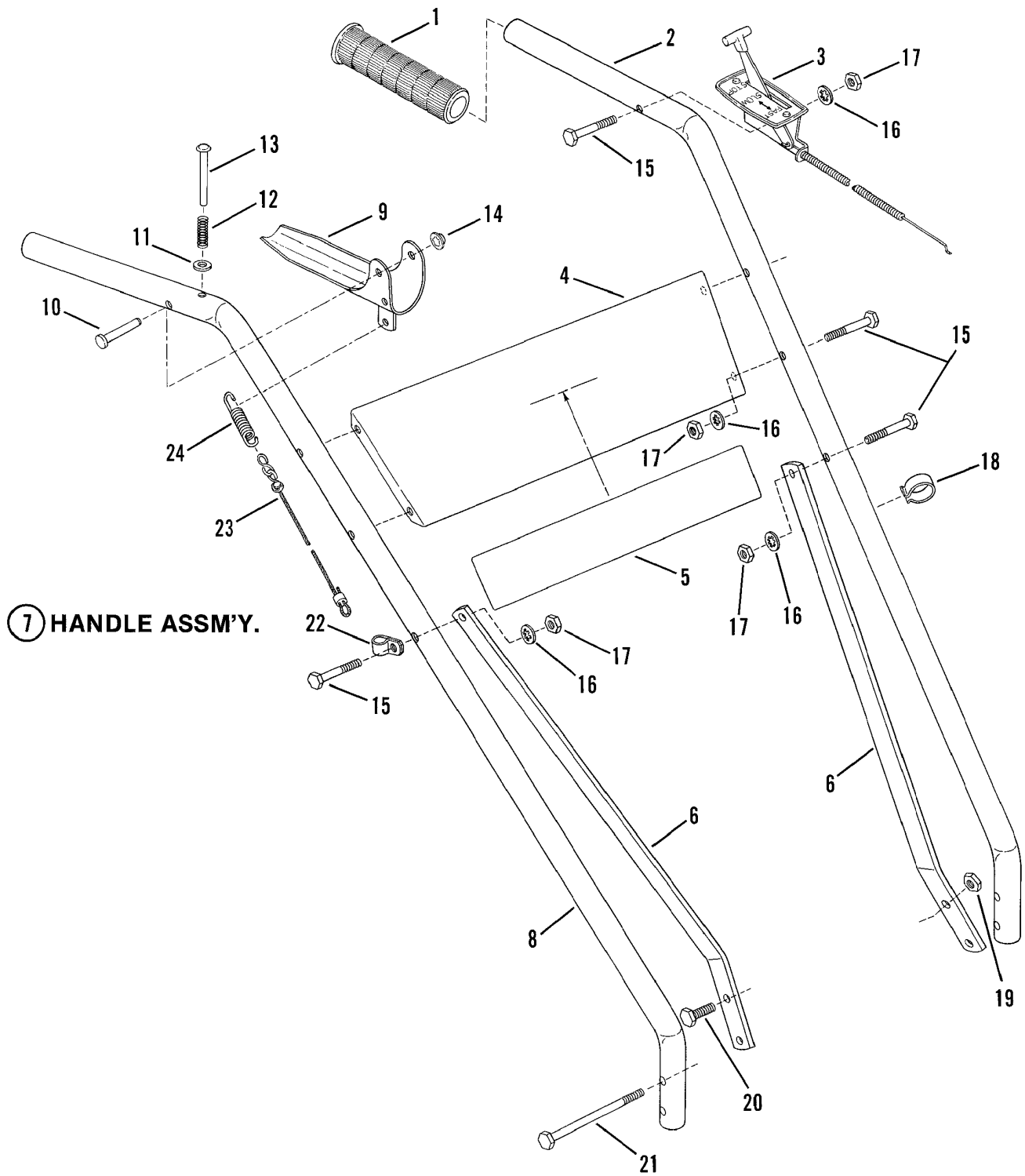
SNAPPER McDonough, GA, 30253 U.S.A.

COPYRIGHT © 2006
SNAPPER PRODUCTS, INC.
ALL RIGHTS RESERVED.

Revision 6, 3/7/2006

Manual No. 7006003
TP 400-5174-6-RT-N

PAGE	GROUP
4	Handles, Controls
6	Frame Skid Arm
8	Transport Wheels & Arms
10	Chain Case
12	Drive - Belt Guard
14	High Torque Drive Kit #60264
16	Tines

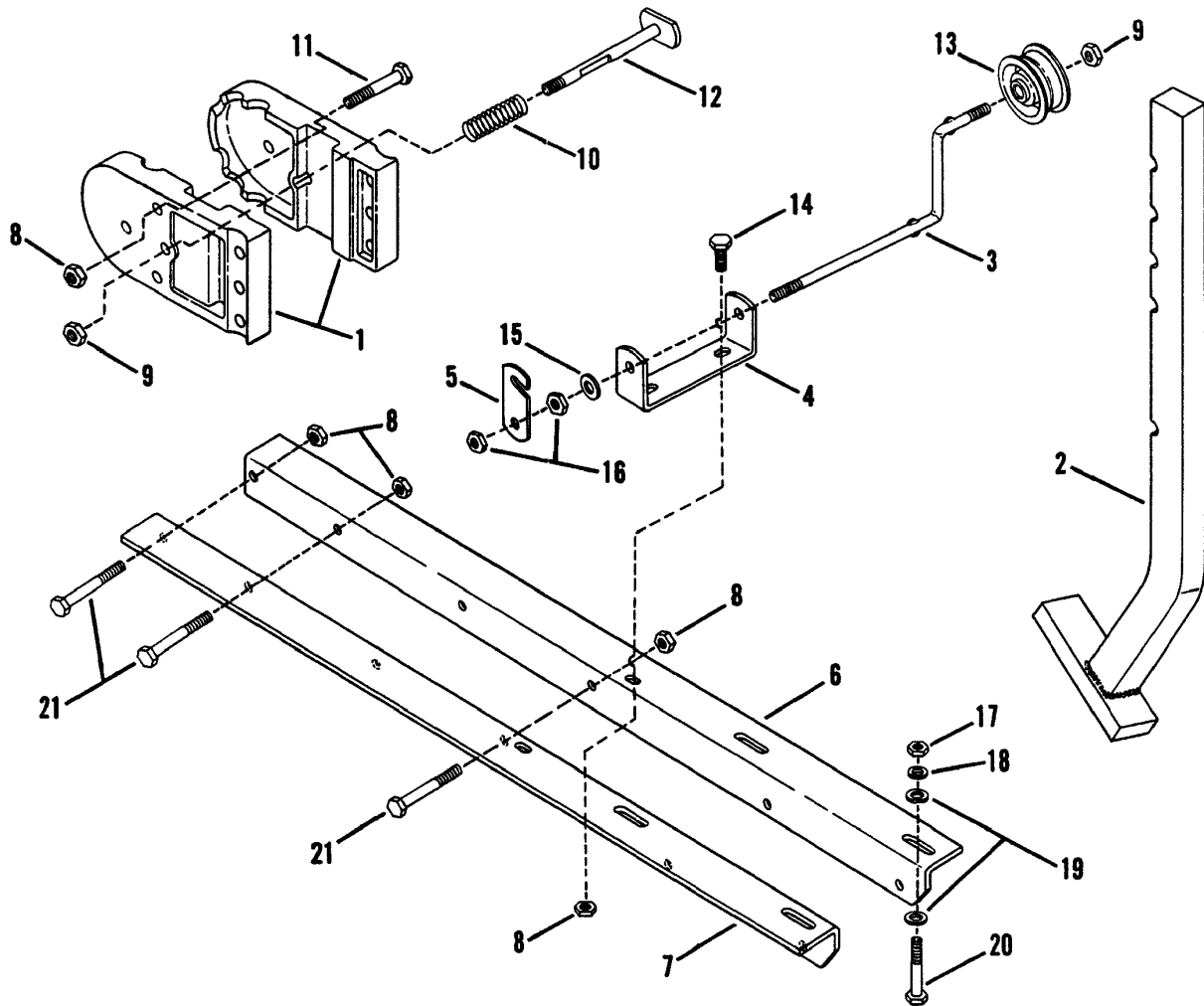


7 HANDLE ASSM'Y.

Handles, Controls

Item	Part No	Qty	Description	Note
1	7011870	2	GRIP, Handle	
2	7029560		HANDLE BAR, Left Hand	<i>Was 36216</i>
3	7018073		CONTROL, Throttle	<i>(B&S Shown)</i>
	7018092		CONTROL, Throttle	<i>(Tec.)</i>
4	7037321		BRACE, Cross	
5	7019295		DECAL, SNAPPER	<i>Was 18593</i>
6	7031192	2	TIE-BAR	
7	7057481		ASSM'Y., Handle	<i>(Includes items 8 thru 10 & 14)</i>
8	7036217		HANDLE BAR, Right Hand	
9	7040604		LEVER, Clutch	<i>Was 40366</i>
10	7023792		PIN	<i>Was 11886</i>
11	7091294		WASHER, 1/4 Flat (Discontinued)	<i>Was 90055</i>
12	7011187		SPRING (Discontinued)	
13	7011715		PIN (Discontinued)	
14	7091020		NUT, Push	<i>Was 90489</i>
15	7090111	7	SCREW, 1/4-28x1-3/4" Hex Hd. Cap	
16	7090053	7	WASHER, 1/4 Internal Tooth	
17	7090095	7	NUT, 1/4-28	
18	7011709	2	CLIP, Throttle Control	
19	7090222	4	NUT, 5/16-24 Hex Lock	
20	7090238	2	SCREW, 5/16-24x1" Hex Hd. Cap	
21	7090572	2	SCREW, 5/16-24x4" Hex Hd. Cap	
22	7011708		GUIDE, Cable	
23	7050344		CABLE, Clutch Assm'y.	<i>(Includes chain)</i>
24	7011706		SPRING, Clutch Cable	

Footnotes:



ENGINE SPECIFICATIONS

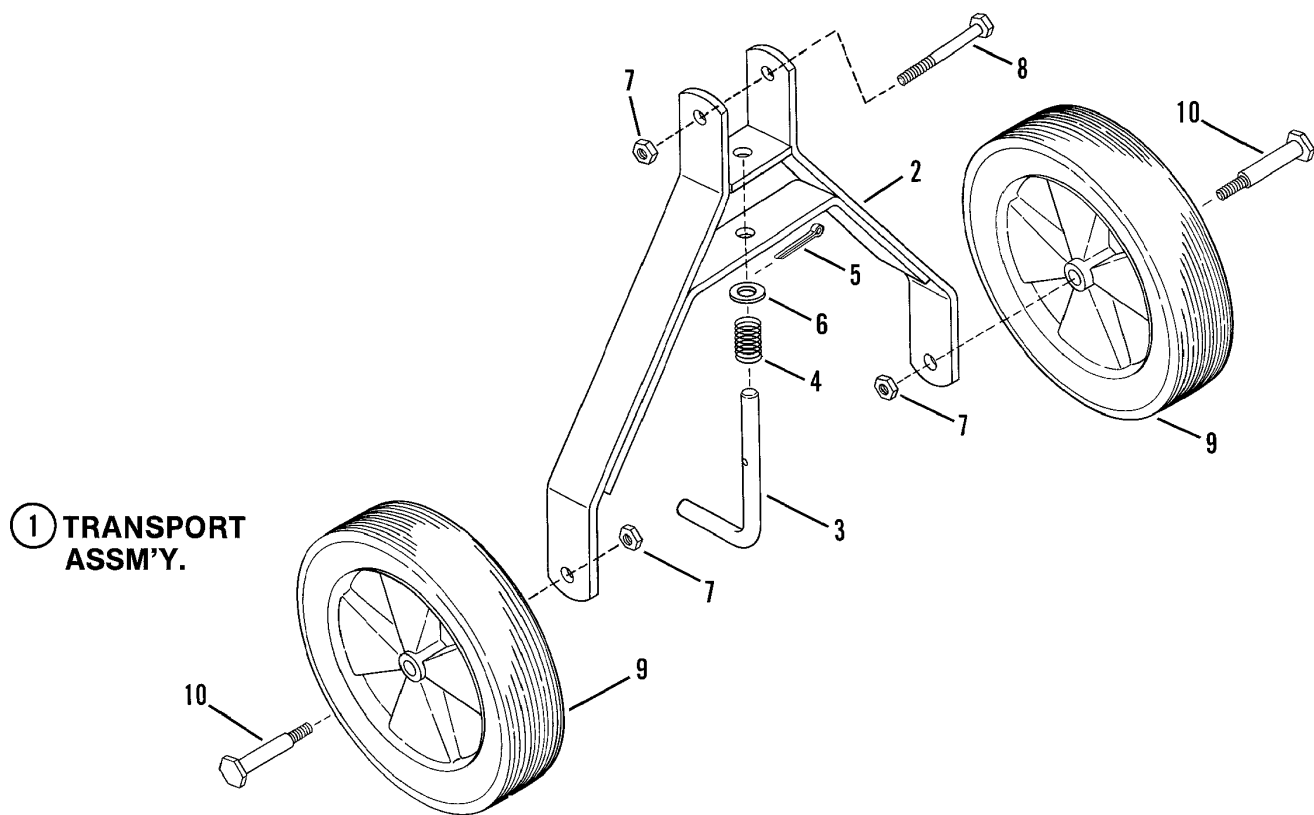
- 3HP B&S ENGINE
SNAPPER No. 00044
B&S MODEL 80208
B&S TYPE 0671-01
 - 4HP B&S ENGINE
B&S MODEL 111202
B&S TYPE 0133-01
 - 5HP B&S ENGINE
SNAPPER No. 00048
B&S MODEL 130202
B&S TYPE 081-01
 - 4HP WISCONSIN/ROBIN
SNAPPER No. 1-7984
WIS./ROB. MODEL W1145B
- (ENGINE MOUNTING HARDWARE LISTED AS ITEMS 17, 18, 19 & 20)
- (1-1762 COVER, Spark Plug)

Frame Skid Arm

Item	Part No	Qty	Description	Note
1	7011192	2	HITCH	
2	7047339		SKID-ARM	
3	7021186		* ARM, Idler	
4	7031167		* BRACKET, Idler	
5	7031168		* LINK, Idler	
6	7037323		RAIL, Left Hand	
7	7037324		RAIL, Right Hand	
8	7090222	6	NUT, 5/16-24 Hex Center Lock	
9	7090289	2	* NUT, 3/8-24 Hex Center Lock	
10	7011193		SPRING, Pin Release	
11	7090245		SCREW, 5/16-24 x 2" Hex Head Cap, Gr. 2	
12	7012591		PIN, Skid Arm Release	
13	7010948		* PULLEY, Idler	
14	7090233	2	SCREW, 5/16-24 x 3/4" Hex Head Cap, Gr. 5	
15	7090122		* WASHER, 3/8 SAE	
16	7091630	2	* NUT, 3/8-24 Hex Gr. 2	Was 90155
17	7091297		NUT, 5/16-24 Hex	Was 90223
18	7090187	4	WASHER, 5/16 Split Lock	
19	7090188	8	WASHER, 5/16 SAE	
20	7090244	4	SCREW, 5/16-24 x 1-3/4" Hex Head Cap, Grade 2	
21	7090358	3	SCREW, 5/16-24 x 2-1/2" Hex Head Cap, Grade 5	
	7050340		ASY, Idler Arm	(Incl. items 3, 4, 5, 9, 13, 15 and 16)

Footnotes:

NOTE: * Included in Idler Arm Assembly

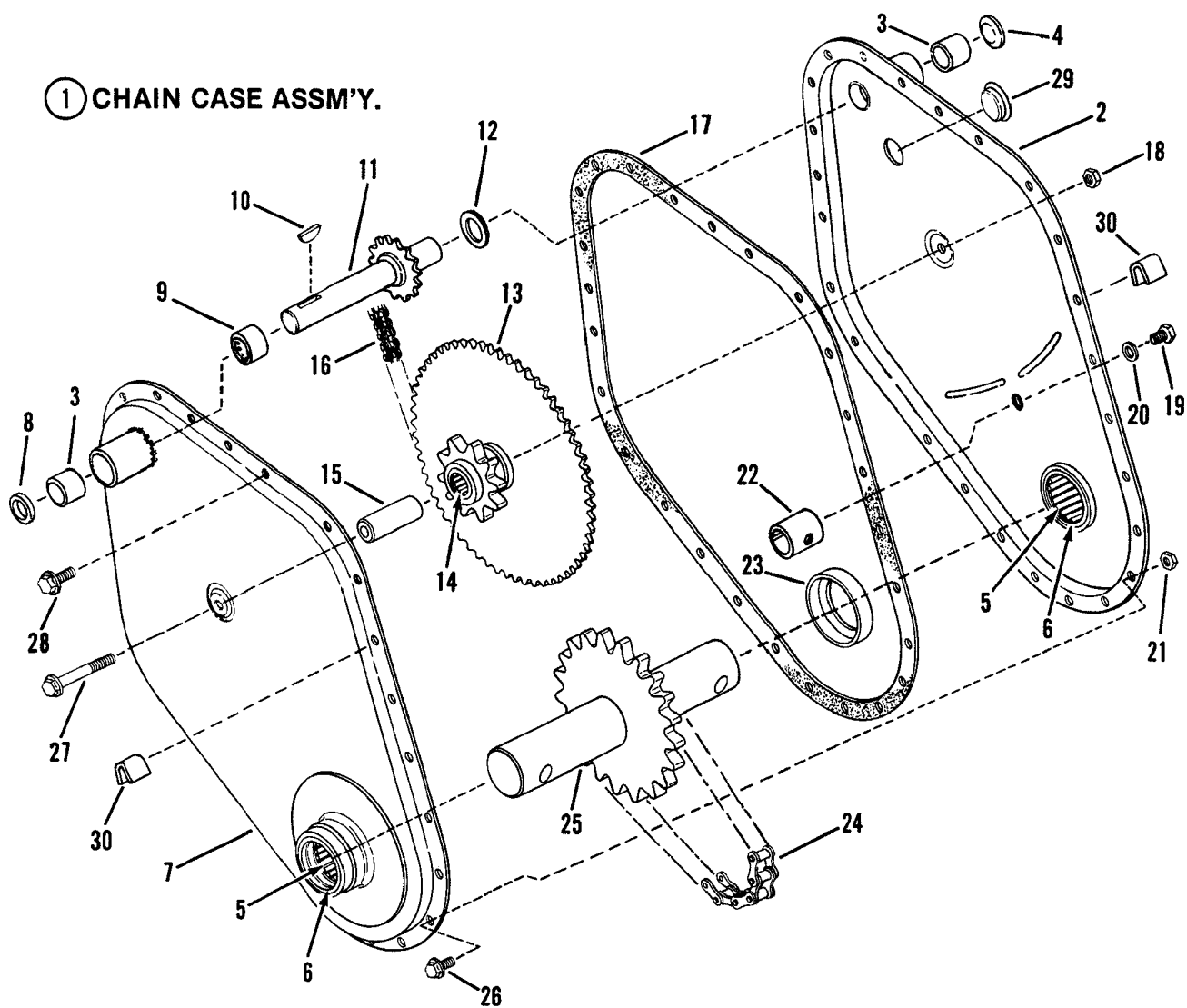


Transport Wheels & Arms

Item	Part No	Qty	Description	Note
1			TRANSPORT ASSM'Y.	(NA)
2	7040367		FRAME, Arm-Wheel Structure	
3	7021184		PIN, Wheel Arm Lock	
4	7011190		SPRING, Lock Pin	
5	7091809		PIN, 1/8x1-1/4" Cotter	Was 90042
6	7090250		WASHER, 1/2 SAE	
7	7090289	3	NUT, 3/8-24 Hex Lock	
8	7090171		SCREW, 3/8-24x2-3/4" Hex Hd. Cap	
9	7018228	2	WHEEL, 10"x1-3/4"	
10	7091526	2	BOLT, 3/8-24x2-5/16" Shoulder	Was 11720

Footnotes:

① CHAIN CASE ASSM'Y.



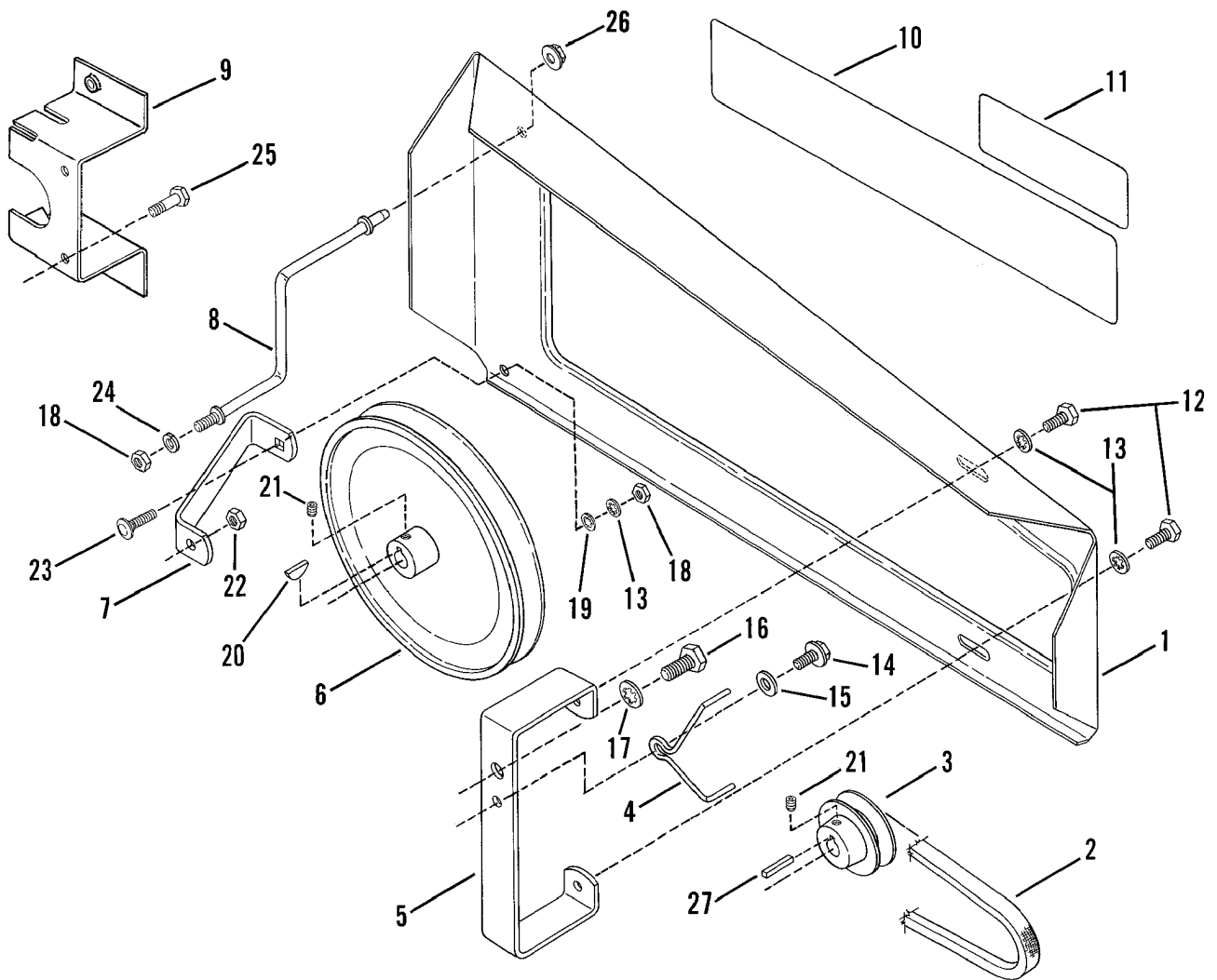
Chain Case

Item	Part No	Qty	Description	Note
1	7050812		CHAIN CASE ASY.	<i>(Incl. Items 2 thru 28)</i>
2	7050726		CASE ASY., R.H.	<i>(Incl. Items 3 thru 6)</i>
	7073261		CASE, R.H.	<i>Was 47722 (Without Bearings, Seals, Plug)</i>
3	7010932		BEARING, Drive Shaft	
4	7011177		PLUG, Wrench	
5	7011176		BEARING, Needle	
6	7013681		* SEAL, Tine Rotor Shaft	
7	7050725		CASE ASY., L.H.	<i>(Incl. Items 3, 5, 6, 8)</i>
	7047721		CASE, L.H.	<i>(Without Bearings, Seals)</i>
8	7011179		SEAL, Drive Shaft	
9	7021751		SPACER, Drive Shaft	
10	7010211		KEY, 3/16 x 3/4" Woodruff	
11	7040413		SHAFT, Drive	
12	7020938		WASHER, Shim	
13	7050724		SPROCKET, Intermediate Asy.	<i>(Includes Item 14)</i>
	7040437		SPROCKET, Intermediate	<i>(Without Bearings)</i>
14	7011178	2	BEARING, Roller	<i>(Press Fitted Flush)</i>
15	7021752		RACE, Sprocket Bearing	
16	7011183		CHAIN, Primary Drive	
17	7018071		GASKET, Case Housing	
18	7092062		NUT, 5/16-24 Hex Lock	<i>Was 11201</i>
19	7090554		HWST, 5/16C X3/8 ZP	
20	7014980		WASHER, Seal	
21	7090222	2	NUT, 5/16-24 Hex Center Lock	
22	7012232		SPACER, Case Housings	
23	7011181		SPACER, Rotor Shaft	
24	7011182		CHAIN, Final Drive	
25	7040364		SHAFT, Tine Rotor	
26	7090227	2	SCREW, 5/16-24 x 5/8" Hex Head Cap, Grade 2	
27	7090358		SCREW, 5/16-24 x 2-1/2" Hex Head Cap, Grade 5	
28	7090361	23	SCREW, 5/16-18 x 5/8" Hex Washer Self-Tap	
29	7011024		PLUG	
30	7011191	2	SPACER, Case Housing to Rail	

Footnotes:

NOTE: * 60328 TOOL, Seal Replacement

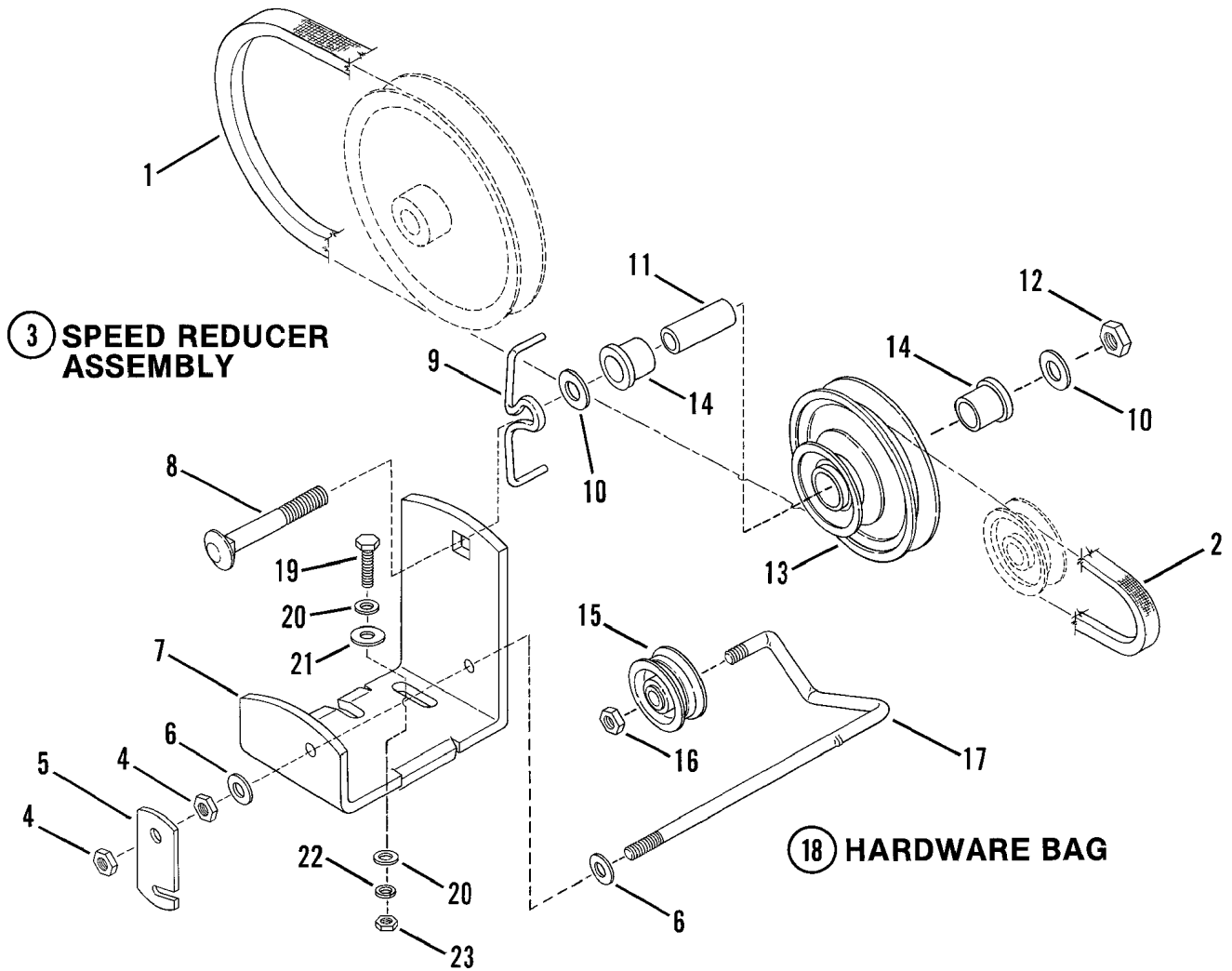
Drive - Belt Guard



Drive - Belt Guard

Item	Part No	Qty	Description	Note
1	7037747		GUARD, Belt	
2	7011969		V-BELT	(B&S Engine) L-451
	7015483		V-BELT	(Robin Engines)('87 Models & Earlier)
	7015740		V-BELT	(Robin Engines)('88 Models & Later)
3	7011809		PULLEY, Engine	
4	7031964		GUIDE, Belt	(B&S Engine)
5	7037748		MOUNT, Engine	(B&S Engine)
6	7011194		PULLEY, 8"	(B&S)('87 & Earlier Robin)
	7015741		PULLEY,	('88 & Later Robin)
7	7031963		CLIP, Rear	
8	7012447		HANGER, Guard	
9	7038250		GUIDE, Belt	(Wisconsin/Robin Engine)
10	7071916		DECAL-SNAPPER	Was 18586
11	7015490		DECAL (FT4X),	(Wisconsin/Robin Engine)
12	7090534	2	SCREW, 5/16-18x1/2" Hex Hd. Cap	Was 90203
13	7090391	3	WASHER, 5/16 Internal Tooth Lock	
14	7090815		SCREW, 3/8-16x1/2" Hex Hd. Cap, Self Tapping	Was 90506
15	7090122		WASHER, 3/8 SAE	
16	7091502		SCREW, 1/2-20x3/4" Hex Hd. Cap	Was 90367
17	7090509		WASHER, 1/2 Internal Tooth Lock	
18	7091511	2	NUT, 5/16-18 Hex	Was 90196
19	7011791		RETAINER, Bolt	
20	7010211		KEY, #9 Woodruff	
21	7090201	2	SCREW, 5/16-18 Set, Hex Socket	
22	7090222		NUT, 5/16-24 Hex Lock	
23	7090316		BOLT, 5/16-18x3/4" Carriage	
24	7090187		WASHER, 5/16 Split Lock	
25	7090948	2	BOLT, M8x19	
26	7029840		WASHER, 5/16 Faceted	Was 11784
27	7010061		KEY, 3/16x3/16x1"	

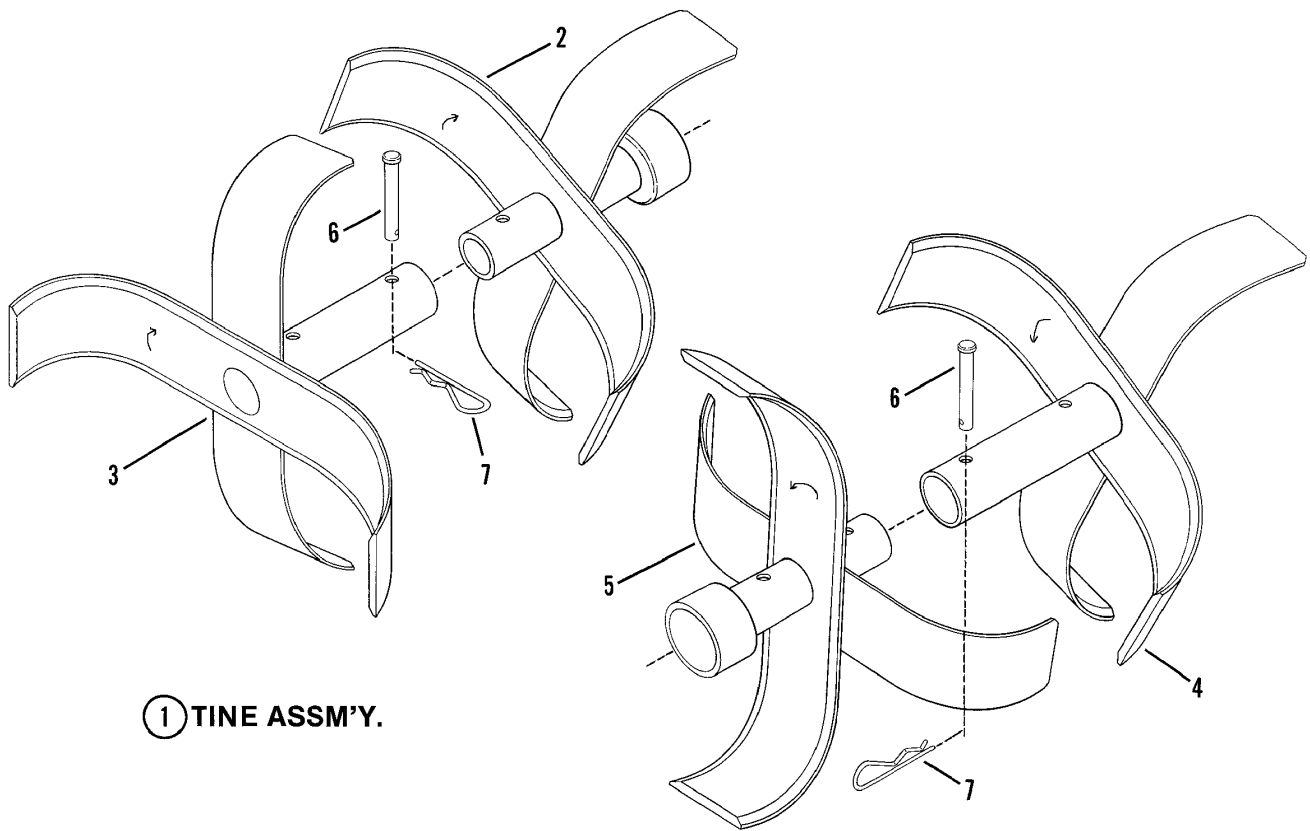
Footnotes:



High Torque Drive Kit #60264

Item	Part No	Qty	Description	Note
1	7012249		V-BELT (Reducer to Chain Drive 37")	
2	7012248		V-BELT (Engine to Reducer 26.75")	
3	7059526		SPEED REDUCER ASSM'Y. (no longer available)	
4	7091630	2	NUT, 3/8-24 Hex	Was 90155
5	7031168		LINK, Idler	
6	7090122	2	WASHER, 3/8" Flat	
7	39585		MOUNT, Speed Reduction (no longer available)	
8	7090570		BOLT, 1/2-13x2-3/4" Carriage	
9	7031909		GUIDE, Belt	
10	7091587	2	WASHER, 1/2 Flat	Was 90250
11	7012254		RACE, Bearing	
12	7091316		NUT, 1/2-13 Hex	Was 90258
13	7057094		SHEAVE ASSM'Y.	(Includes item 14)
14	7012252	2	BEARING	
15	7012124		PULLEY, Idler	
16	7090289		NUT, 3/8-24 Hex Lock	
17	7018182		ARM, Pulley	
18	7060274		HARDWARE BAG (no longer available)	(Includes items 19 thru 23)
19	7090209	2	SCREW, 5/16-18x1" Hex Head Cap	
20	7090188	4	WASHER, 5/16 Flat	
21	7090500	2	WASHER, 7/16 Flat	
22	7090187	2	WASHER, 5/16 Split Lock	
23	7091511	3	NUT, 5/16-18 Hex	Was 90196

Footnotes:



① TINE ASSM'Y.

Tines

Item	Part No	Qty	Description	Note
1	7050721		TINE ASSM'Y.	<i>(Includes items 2 thru 7)</i>
2	7049572		TINE ASSM'Y., Right Hand, Inside	
3	7049569		TINE ASSM'Y., Right Hand, Outside	
4	7049570		TINE ASSM'Y., Left Hand, Outside	
5	7049571		TINE ASSM'Y., Left Hand, Inside	
6	7011713	4	PIN, 3/8x2-1/4" Clevis	
7	7011714	4	PIN, Hair	

Footnotes:

Parts Manual for

SNAPPER®

FRONT TINE TILLERS

SERIES 0 & 1

IT IS THE POLICY OF SNAPPER TO IMPROVE ITS PRODUCTS WHENEVER IT IS POSSIBLE AND PRACTICAL TO DO SO. WE RESERVE THE RIGHT TO MAKE CHANGES OR ADD IMPROVEMENTS AT ANY TIME WITHOUT INCURRING ANY OBLIGATION TO MAKE SUCH CHANGES ON PRODUCTS MANUFACTURED PREVIOUSLY.

SNAPPER McDonough, GA, 30253 U.S.A.

Free Manuals Download Website

<http://myh66.com>

<http://usermanuals.us>

<http://www.somanuals.com>

<http://www.4manuals.cc>

<http://www.manual-lib.com>

<http://www.404manual.com>

<http://www.luxmanual.com>

<http://aubethermostatmanual.com>

Golf course search by state

<http://golfingnear.com>

Email search by domain

<http://emailbydomain.com>

Auto manuals search

<http://auto.somanuals.com>

TV manuals search

<http://tv.somanuals.com>