

Parts Manual for
SNAPPER®

**INTERMEDIATE
REAR TINE TILLERS
SERIES 3, 4 & 5**



MODEL

**CICFR5505HV
EICFR5004B
EICFR5004B
EICFR5505BV
ICFR5004B
ICFR5505BV
ICFR7005BV
IR5003B
NIR5003B**

SNAPPER® McDonough, GA, 30253 U.S.A.

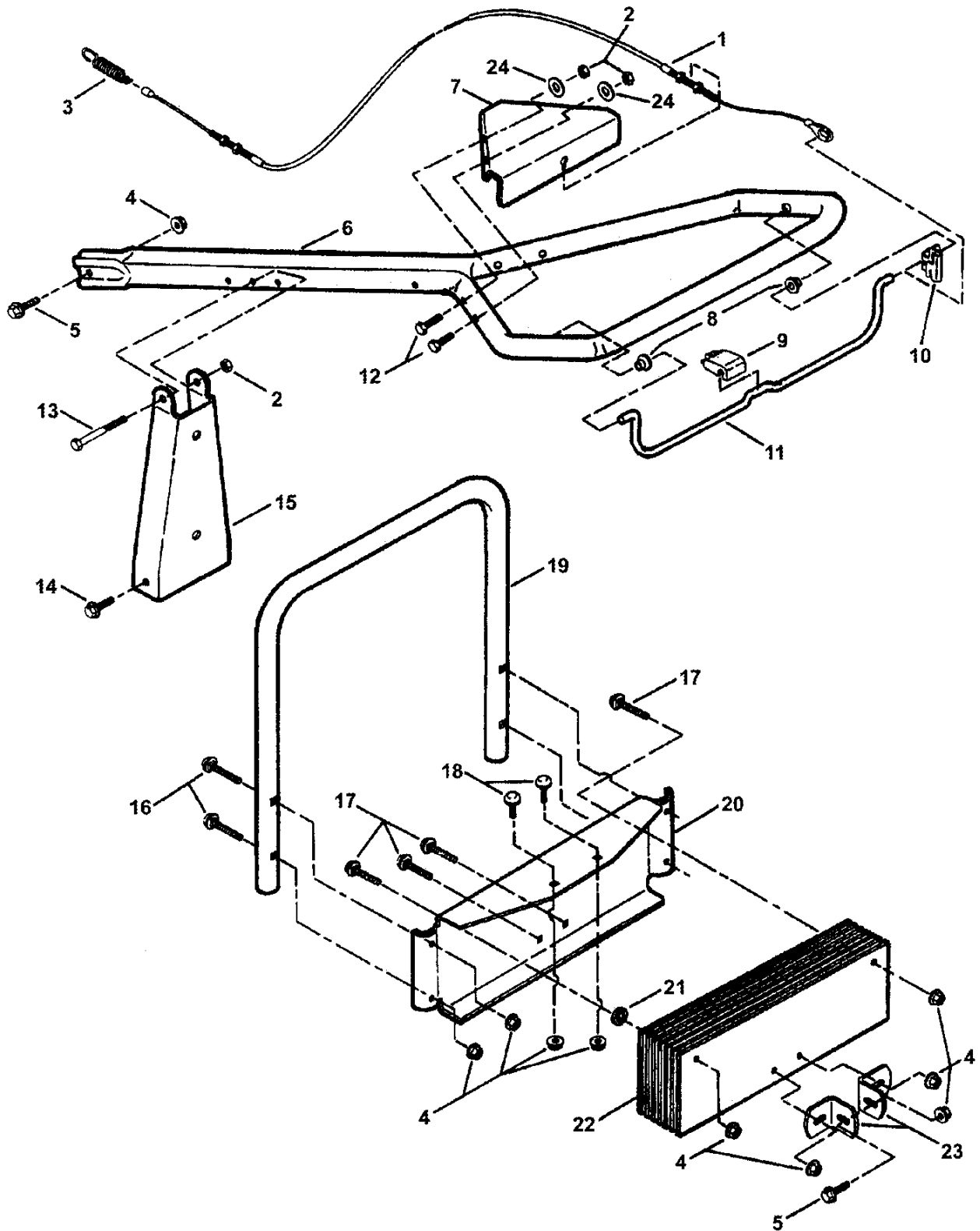
COPYRIGHT © 2006
SNAPPER PRODUCTS, INC.
ALL RIGHTS RESERVED.

Revision 9, 2/28/2006

**Manual No. 7006047
TP 400-5172-9-RT-N**

PAGE	GROUP
4	HANDLES, CONTROLS, WEIGHTS
6	MAIN CASE/GEARS (Series 3)
10	MAIN CASE/GEARS (Series 4&5)
14	TILLER HEAD COMPONENTS
16	SHIFT & DRIVE COMPONENTS
20	WHEELS, TIRES, RIMS
22	DECALS
24	DECALS (continued)
26	DECALS (continued)
28	DECALS (continued)
30	CULTIVATOR SHIELD KIT
32	HILLER - FURROWER KIT

HANDLES, CONTROLS, WEIGHTS

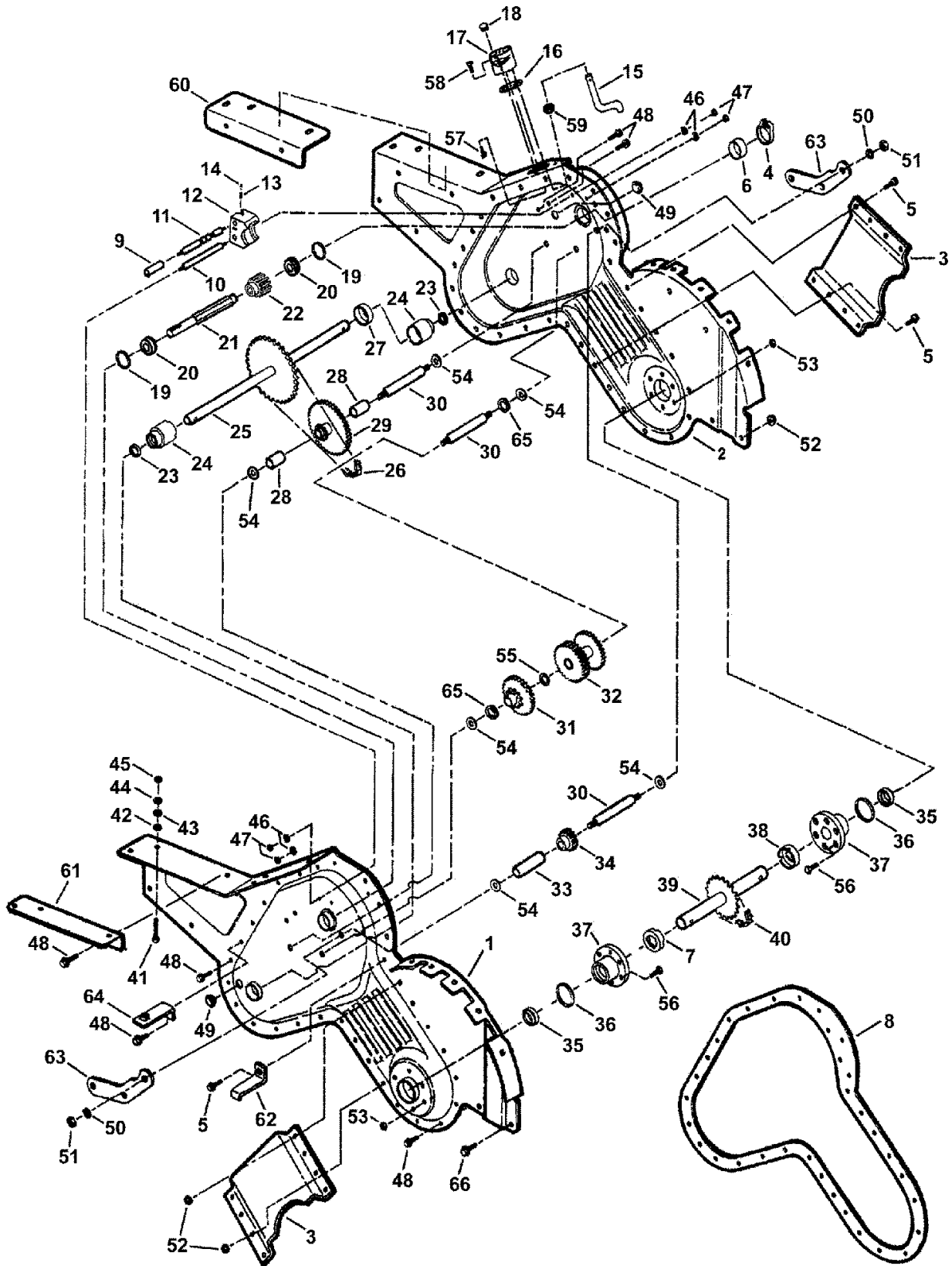


HANGLES, CONTROLS, WEIGHTS

Item	Part No	Qty	Description	Note
1	7018808	1	CABLE Clutch	
2	7091575	5	NUT, 5/16-18 Hex Center Lock	Was 91067
3	7015252	1	SPRING, Tine	
4	7091601	12	NUT, 5/16-18 Hex Flange Lock	Was 91070
5	7091681	7	BOLT, 5/16-18 x 1" Hex Flange Lock	
6	7034746	1	BAR, Handle IRT	
7	7036170	1	PANEL, Tiller Dash	
8	7014681	2	BUSHING	
9	7014682	1	COVER, Cable	
10	7032593	1	CATCH, Bail	
11	7018787	1	BAIL	
12	7091540	4	SCREW, 5/16-18 x 1-1/2" Hex Head Cap GR5	Was 91066
13	7090831	1	SCREW, 5/16-18 x 2-3/4" Hex Head Cap GR5	
14	7090361	12	SCREW, 5/16-18 x 5/8" Hex Washer Self-Tap	
15	7038221	1	SUPPORT, Handle	
16	7091612	4	BOLT, 5/16-18 x 1-1/2" Sq. Neck Carriage GR5	Was 90582
17	7090861	4	BOLT, 5/16-18 x 1-3/4" Sq. Neck Carriage GR5	
18	7091303	3	BOLT, 5/16-18 x 3/4" Square Neck Carriage GR5	Was 91072
19	7036171	1	BAR, Stand-Up	
20	7035107	1	BOX, Weight	
21	7011791	1	RETAINER, 5/16" Bolt (Black)	not used on ICFR5004B
22	7038223	7	WEIGHT, Steel	
23	7032496	2	BRACKET, Weight	
24	7091076	16	WASHER, 5/16" Flat	
	7061794	1	BAG, Hardware - IR5003B	Contains 2 each of P/N's 28725 and 91606 (see Tiller Head Component Page)

Footnotes:

MAIN CASE/GEARS (Series 3)



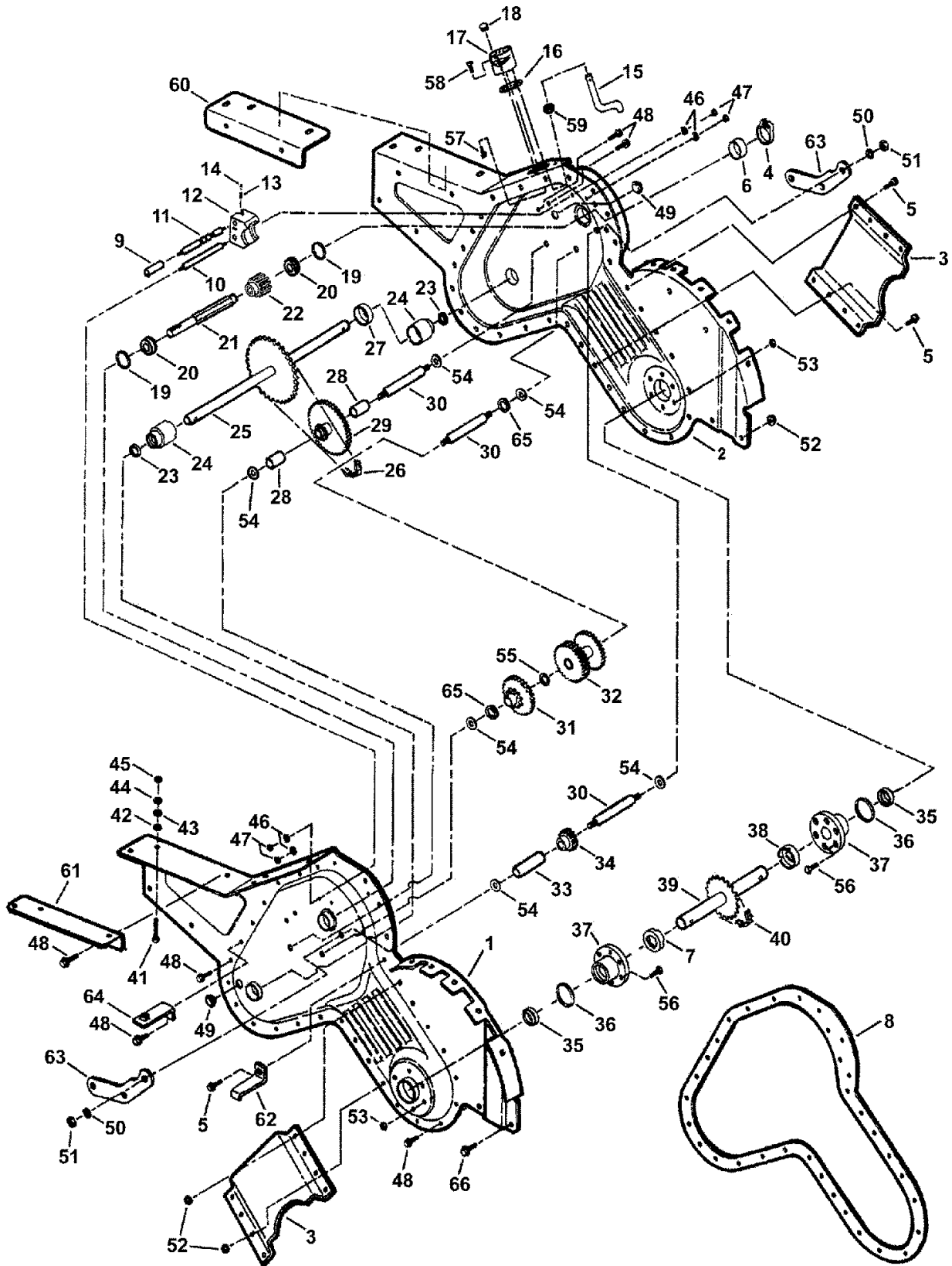
MAIN CASE/GEARS (Series 3)

Item	Part No	Qty	Description	Note
	7061821		ASSEMBLY, Case, Complete (Series 3)	<i>service kit</i>
1	7034681	1	CASE HALF, Left Hand	
2	7034682	1	CASE HALF, Right Hand	
3	7034677	2	REINFORCEMENT, Case	
4	7015597	1	CLAMP, Speedy	
5	7091681	7	BOLT, 5/16-18 x 1" Hex Flange Lock	
6	7015598	1	SEAL, Cap	
7	7028672	1	SPACER, Tine Shaft (Short)	
8	7028753	1	GASKET, Main Case IR5003B Tiller	
9	7045130	1	SPACER, Main Shaft (.64" long)	
10	7021977	1	PIN, Guide	
11	7022512	1	SHAFT, Main Detent (4 Position)	
12	7046604	1	FORK, Primary Shaft	
13	7023252	1	SPRING, Compression	<i>Was 14500</i>
14	7014469	1	BALL, Detent	
15	7015405	1	CRANK, Shift	
16	7015679	1	GASKET, Shift Arm Pivot	
17	7015313	1	PIVOT, Shift Arm	
18	7015409	1	PLUG, 1/2" Button	
19	7015350	1	O-RING	
20	7010756	1	BEARING, .625 x 1.37 x .435	
21	7023849	1	SHAFT, Input	
22	7028717		PINION, Input	
23	7015136	1	SEAL, Oil	
24	7015319	1	BEARING, Axle	
25	7040609	1	WELDMENT, Axle (#40/34T)	
26	7015347	1	CHAIN, Traction #40	
27	7015318	1	SPACER, Wheel Shaft (.686" Thick)	
28	7015348	2	SPACER, 5/8 x 1.11"	
29	7018790	1	GEAR & SPROCKET	
30	7045127	3	SHAFT, Gear	
31	7053826	1	* ASSY, Tine Drive Gear, #50, Sprkt 10T, Gear 34T	
32	7054412	1	* ASSEMBLY, Wheel Drive Gear	
33	7042764	1	SPACER, Reverse (2.567" Long)	
34	7051653	1	* ASSEMBLY, Reverse Idler	
35	7015342	1	SEAL, Oil	
36	7015343	1	O-RING	

Footnotes:

NOTE: * Part # 15339 DX Bearings are included, if purchased separately they must be pressed in.

MAIN CASE/GEARS (Series 3)



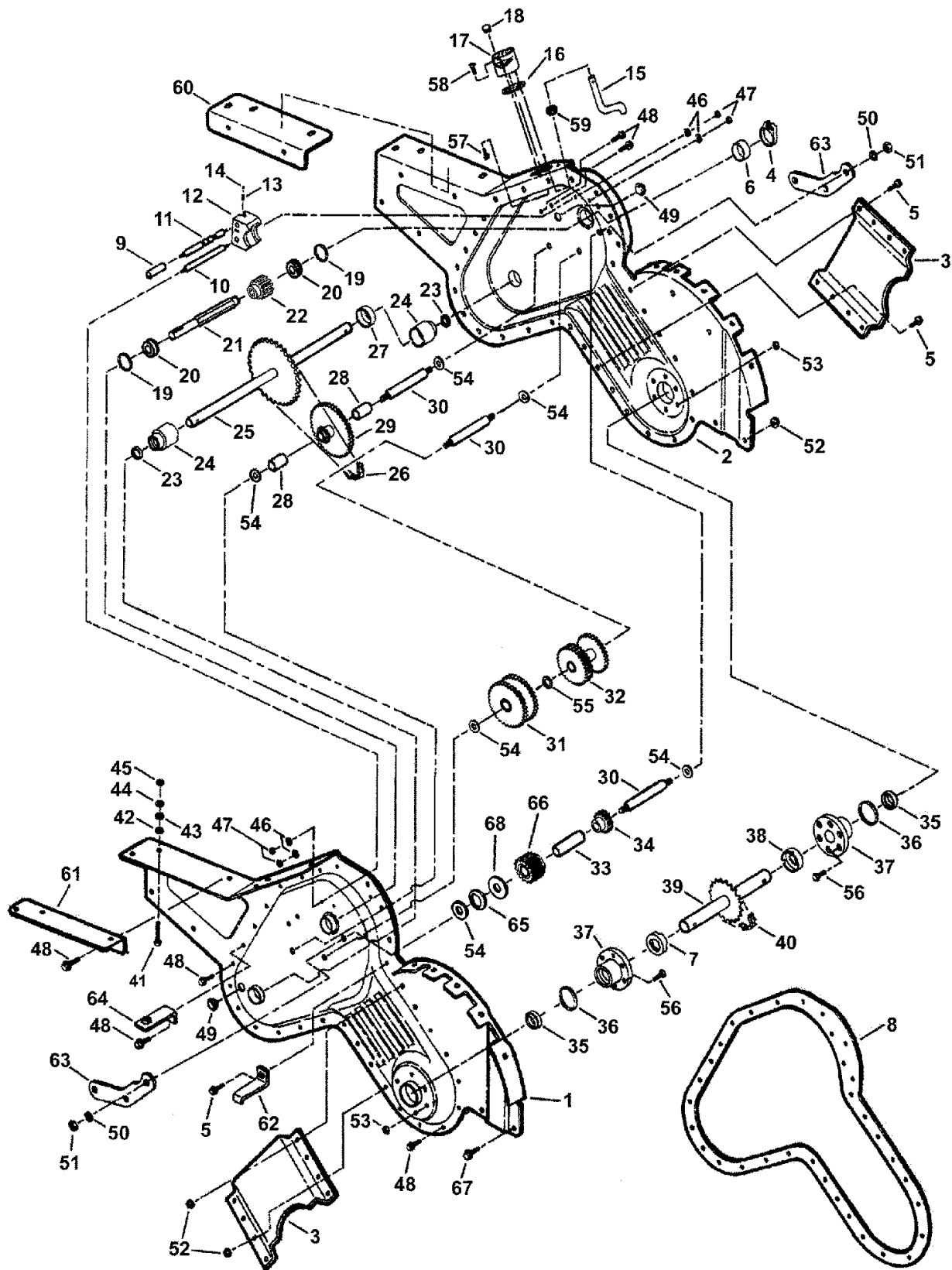
MAIN CASE/GEARS (Series 3)

Item	Part No	Qty	Description	Note
37	7018869	1	BEARING, Tine Shaft	
38	7029890	1	SPACER, Tine Shaft Long	
39	7041726	1	WELDMENT, Tine Shaft (#50/18T)	
40	7028476	1	CHAIN, Tine (Endless Roller) #50	
41	7091513	4	SCREW, 5/16-24 x 1-3/4" Hex Head Cap GR5	Was 91689
42	7011791	1	RETAINER, 5/16" Bolt (Black)	
43	7091076	16	WASHER, 5/16" Flat	
44	7091690	4	WASHER, 5/16" Split Lock	
45	7091297	4	NUT, 5/16-24 Hex	Was 91692
46	7090053	4	WASHER, 1/4" Internal Tooth Lock	Was 91023
47	7090095	4	NUT, 1/4-20 Hex	Was 91024
49	7011024	1	PLUG	
48	7091946	21	SCREW, 5/16-18 x 5/8" Hex Washer Self-Tap	
50	7090873	3	WASHER, 7/16" Internal Tooth Lock	
51	7090460	3	NUT, 7/16-20 Hex	
52	7091601	8	NUT, 5/16-18 Hex Flange Lock	Was 91070
53	7091584	6	NUT, 1/4-20 Hex Flange Lock	Was 91065
54	7090953	3	SHIM-WASHER	
55	7020938	1	SHIM WASHER, 5/8"	
56	7090072	12	SCREW, 1/4-20 x 5/8" Hex Head Cap GR5	Was 79405
57	7091122	1	SCREW, 1/4-20 x 1/2" Hex Washer Self-Tap	Was 90539
58	7091819	3	SCREW, 1/4-20 x 3/4" Hex Washer Self-Tap	Was 90362
59	7023514	1	O-RING, #012	
60	7038647	1	REINFORCEMENT, R.H. Frame	
61	7038648	1	REINFORCEMENT, L.H. Frame	
62	7034680	1	BRACE, Belt Cover	
63	7061174	1	SIDE PLATE	Was 33415
64	7033962	1	BRACKET, Belt Cover- IRT	
65	7033531	3	WASHER, Shim	
66	7090606	4	BOLT, 5/16-18 x 5/8" Hex Flange Lock	Was 91510

Footnotes:

NOTE: * Part # 15339 DX Bearings are included, if purchased separately they must be pressed in.

MAIN CASE/GEARS (Series 4&5)



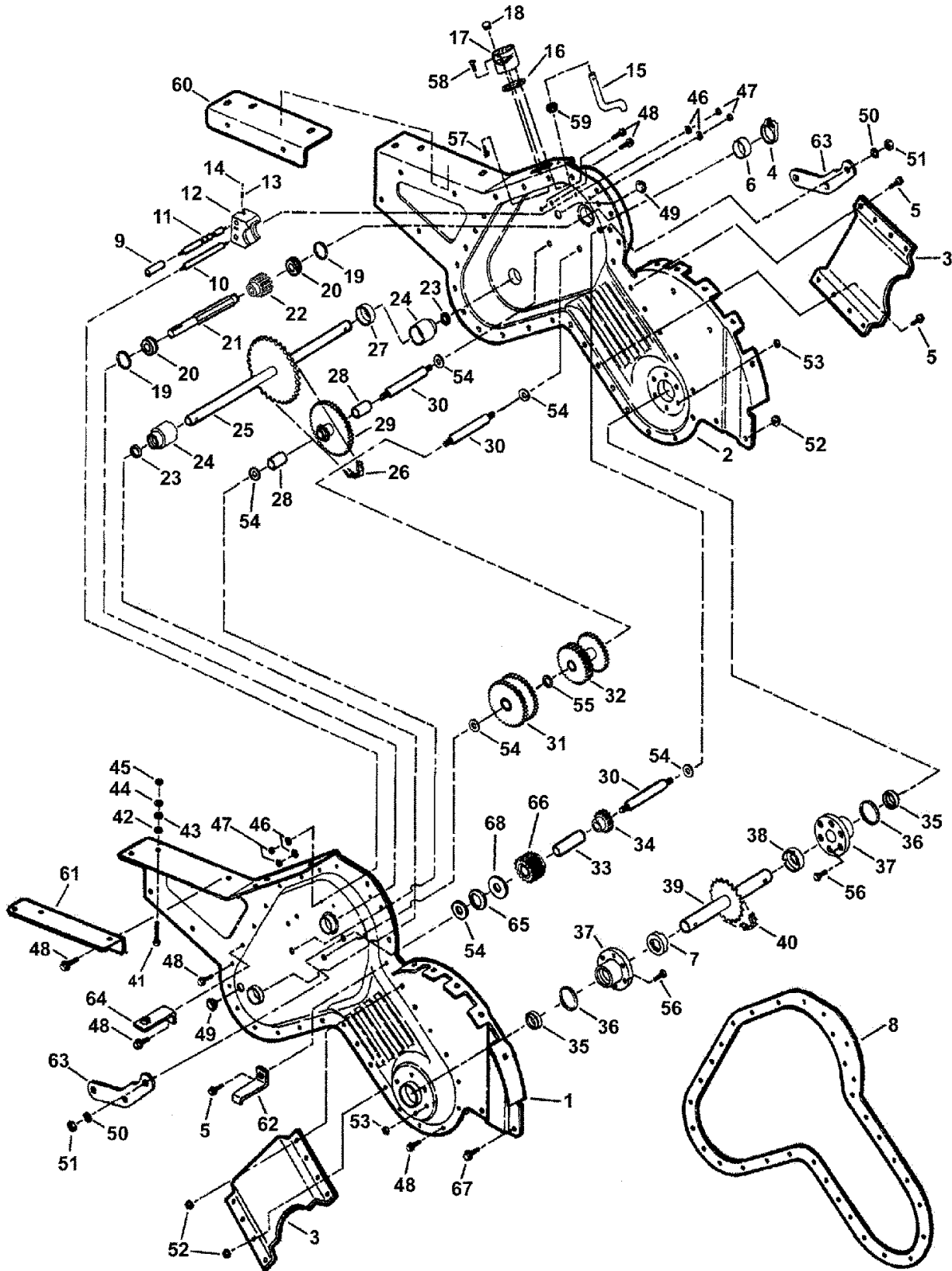
MAIN CASE/GEARS (Series 4&5)

Item	Part No	Qty	Description	Note
	7057824	1	ASSEMBLY, Tiller Case	
1	7034681	1	CASE HALF, Left Hand	
2	7034682	1	CASE HALF, Right Hand	
3	7034677	2	REINFORCEMENT, Case	
4	7015597	1	CLAMP, Speedy	
5	7091681	7	BOLT, 5/16-18 x 1" Hex Flange Lock	
6	7015598	1	SEAL, Cap	
7	7028672	1	SPACER, Tine Shaft (Short)	
8	7028753	1	GASKET, Main Case IR5003B Tiller	
9	7046787	1	SPACER, Main Shaft (.47" long)	
10	7021977	1	PIN, Guide	
11	7046786	1	SHAFT, Main Detent (5 Position) ICFR	
12	7046604	1	FORK, Primary Shaft	
13	7023252	1	SPRING, Compression	Was 14500
14	7014469	1	BALL, Detent	
15	7015405	1	CRANK, Shift	
16	7015679	1	GASKET, Shift Arm Pivot	
17	7015313	1	PIVOT, Shift Arm	
18	7015409	1	PLUG, 1/2" Button	
19	7015350	1	O-RING	
20	7010756	1	BEARING, .625 x 1.37 x .435	
21	7023849	1	SHAFT, Input	
22	7046785	1	PINION, Input ICFR	
23	7015136	1	SEAL, Oil	
24	7015319	1	BEARING, Axle	
25	7040609	1	WELDMENT, Axle (#40/34T)	
26	7015347	1	CHAIN, Traction #40	
27	7015318	1	SPACER, Wheel Shaft (.686" Thick)	
28	7015348	2	SPACER, 5/8 x 1.11"	
29	7018790	1	GEAR & SPROCKET	
30	7045127	3	SHAFT, Gear	
31	7057823	1	* ASSY, F&R Tine Drive Gear #50, Spkt 10T Gear 34T	
32	7054412	1	* ASSEMBLY, Wheel Drive Gear	
33	7046791	1	SPACER, Reverse Idler (1.245" long)	
34	7051653	1	* ASSEMBLY, Reverse Idler	
35	7015342	1	SEAL, Oil	
36	7015343	1	O-RING	

Footnotes:

NOTE: * Part # 15339 DX Bearings are included, if purchased separately they must be pressed in.

MAIN CASE/GEARS (Series 4&5)



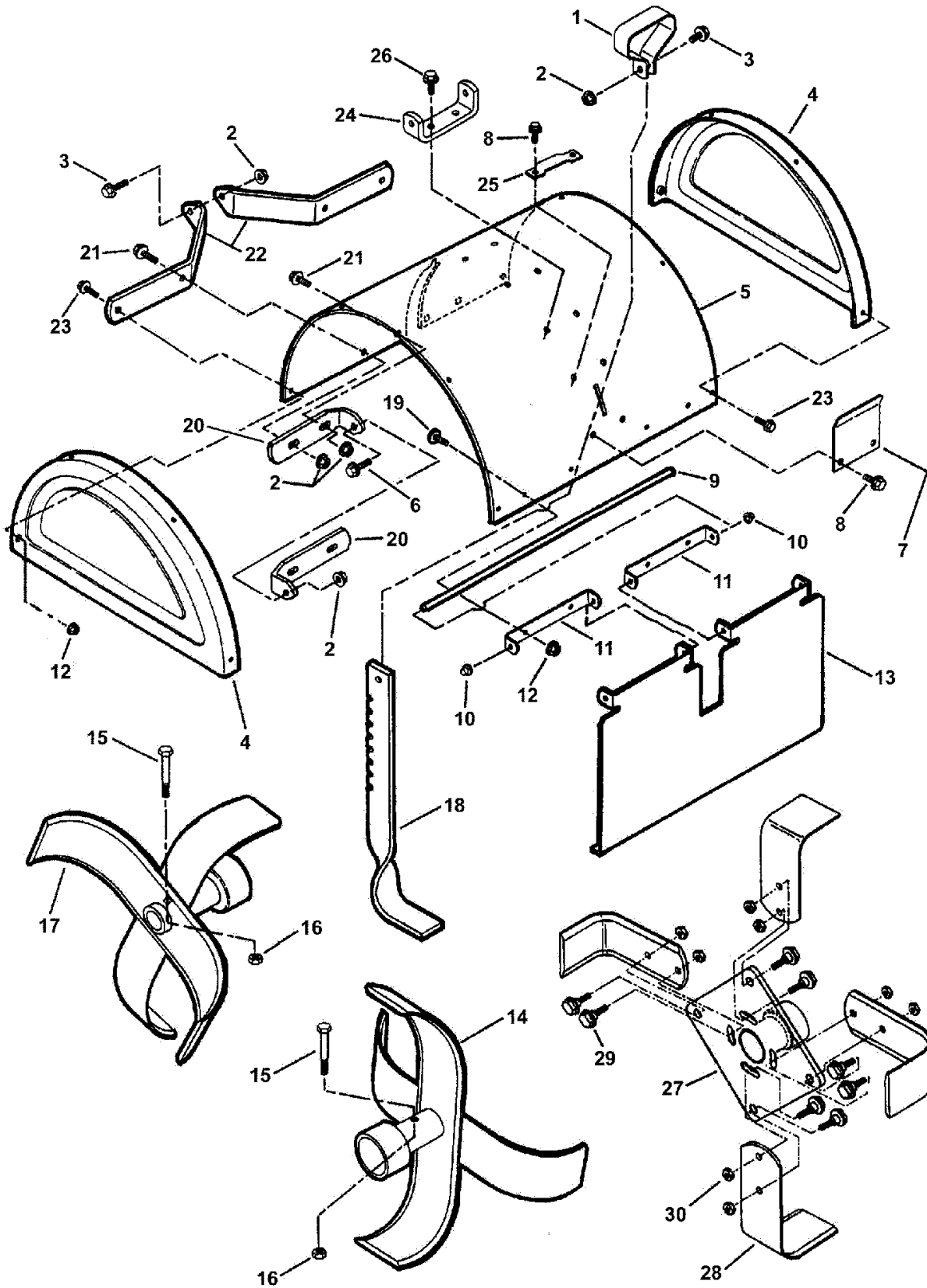
MAIN CASE/GEARS (Series 4&5)

Item	Part No	Qty	Description	Note
37	7018869	1	BEARING, Tine Shaft	
38	7029890	1	SPACER, Tine Shaft Long	
39	7041726	1	WELDMENT, Tine Shaft (#50/18T)	
40	7028476	1	CHAIN, Tine (Endless Roller) #50	
41	7091513	4	SCREW, 5/16-24 x 1-3/4" Hex Head Cap GR5	Was 91689
42	7011791	1	RETAINER, 5/16" Bolt (Black)	
43	7091076	16	WASHER, 5/16" Flat	
44	7091690	4	WASHER, 5/16" Split Lock	
45	7091297	4	NUT, 5/16-24 Hex	Was 91692
46	7090053	4	WASHER, 1/4" Internal Tooth Lock	Was 91023
47	7090095	4	NUT, 1/4-20 Hex	Was 91024
48	7091946	21	SCREW, 5/16-18 x 5/8" Hex Washer Self-Tap	
49	7011024	1	PLUG	
50	7090873	3	WASHER, 7/16" Internal Tooth Lock	
51	7090460	3	NUT, 7/16-20 Hex	
52	7091601	8	NUT, 5/16-18 Hex Flange Lock	Was 91070
53	7091584	6	NUT, 1/4-20 Hex Flange Lock	Was 91065
54	7090953	3	SHIM-WASHER	
55	7020938	1	SHIM WASHER, 5/8"	
56	7090072	12	SCREW, 1/4-20 x 5/8" Hex Head Cap GR5	Was 79405
57	7091122	1	SCREW, 1/4-20 x 1/2" Hex Washer Self-Tap	Was 90539
58	7091819	3	SCREW, 1/4-20 x 3/4" Hex Washer Self-Tap	Was 90362
59	7023514	1	O-RING, #012	
60	7038647	1	REINFORCEMENT, R.H. Frame	
61	7038648	1	REINFORCEMENT, L.H. Frame	
62	7034680	1	BRACE, Belt Cover	
63	7061174	1	SIDE PLATE	Was 33415
64	7033962	1	BRACKET, Belt Cover- IRT	
65	7033531	3	WASHER, Shim	
66	7058469	1	* ASSY, Gear 16T (Incl. two 15339 DX Bearings)	
67	7090606	4	BOLT, 5/16-18 x 5/8" Hex Flange Lock	Was 91510
68	7072801	1	WASHER, Shim .63 x 1.24 x .05	

Footnotes:

NOTE: * Part # 15339 DX Bearings are included, if purchased separately they must be pressed in.

TILLER HEAD COMPONENTS

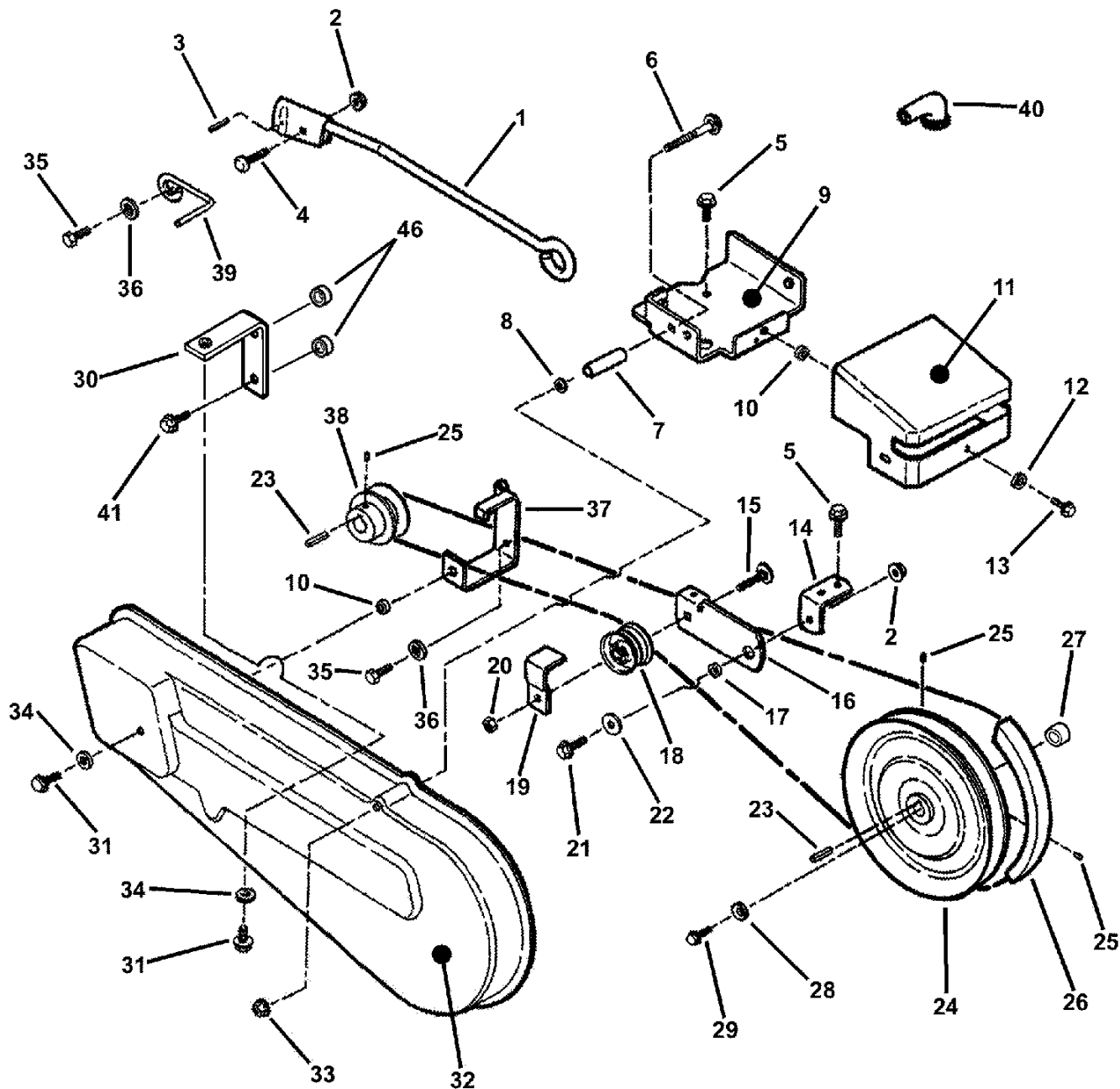


TILLER HEAD COMPONENTS

Item	Part No	Qty	Description	Note
1	7032553	1	HANDLE, Depth Bar	
2	7091601	7	NUT, 5/16-18 Hex Flange Lock	Was 91070
3	7091681	2	BOLT, 5/16-18 x 1" Hex Flange Lock	
4	7034745	2	COVER, Side Tine IR5003B	
5	7034684	1	COVER, Tine IR5003B	
6	7091602	2	BOLT, 5/16-18 x 1-1/2" Hex Flange Lock GR5	
7	7034756	1	SPRING, Depth Bar IR5003B	
8	7090361	8	SCREW, 5/16-18 x 5/8" Hex Washer Self-Tap	
9	7032494	1	PIN, Drag Shield (1/4" Dia. x 14-1/2" Steel Rod)	
10	7091020	2	PUSHNUT, 1/4"	
11	7032536	2	HINGE, Half	
12	7091584	6	NUT, 1/4-20 Hex Flange Lock	Was 91065
13	7036168	1	SHIELD, Drag	
14	7075157	1	WELDMENT, Right Tine	Was 49735
15	7028725	2	SCREW, 5/16-24 x 2" Hex Head Cap GR5	
16	7091606	2	NUT, 5/16-24 Hex Center Lock	
17	7075158	1	WELDMENT, Left Tine	Was 49734
18	7038235	1	DEPTH-BAR	
19	7091604	4	BOLT, 1/4-20 x 1/2" Short Neck Carriage GR5	
20	7034683	2	REINFORCEMENT, Rear Tine Cover	
21	7090595	4	BOLT, 5/16-18 x 5/8" Hex Flange Lock GR5	
22	7038272	2	REINFORCEMENT, Front Tine Cover	
23	7090290	3	SCREW, 1/4-20 x 3/4" Hex Washer Self-Tap	Was 91686
24	7034755	1	BRACKET, Support IR5003B	
25	7034757	1	PLATE, Latch	
26	7091841	2	SCREW, 5/16-18 x 1" Hex Washer Self-Tap	Was 91742
	7057831		ASSEMBLY, Tine (Incl. items 27 thru 30)	ICFR5004B, EICFR5004B, ICFR5505BV, CICFR5505HV, EICFR5505BV and ICFR7005BV only
27	7046798	1	WELDMENT, Tine Hub ICFR	
28	7075142	8	TINE, 11.5" (.312" Thick)	Was 38215
29	7014981	16	BOLT, 3/8-24 Shoulder	
30	7090524	16	NUT, 3/8-24 Hex Top Lock GR C	
	7090289	8	NUT, 3/8-24 Hex Center Lock GR5 or B	

Footnotes:

SHIFT & DRIVE COMPONENTS

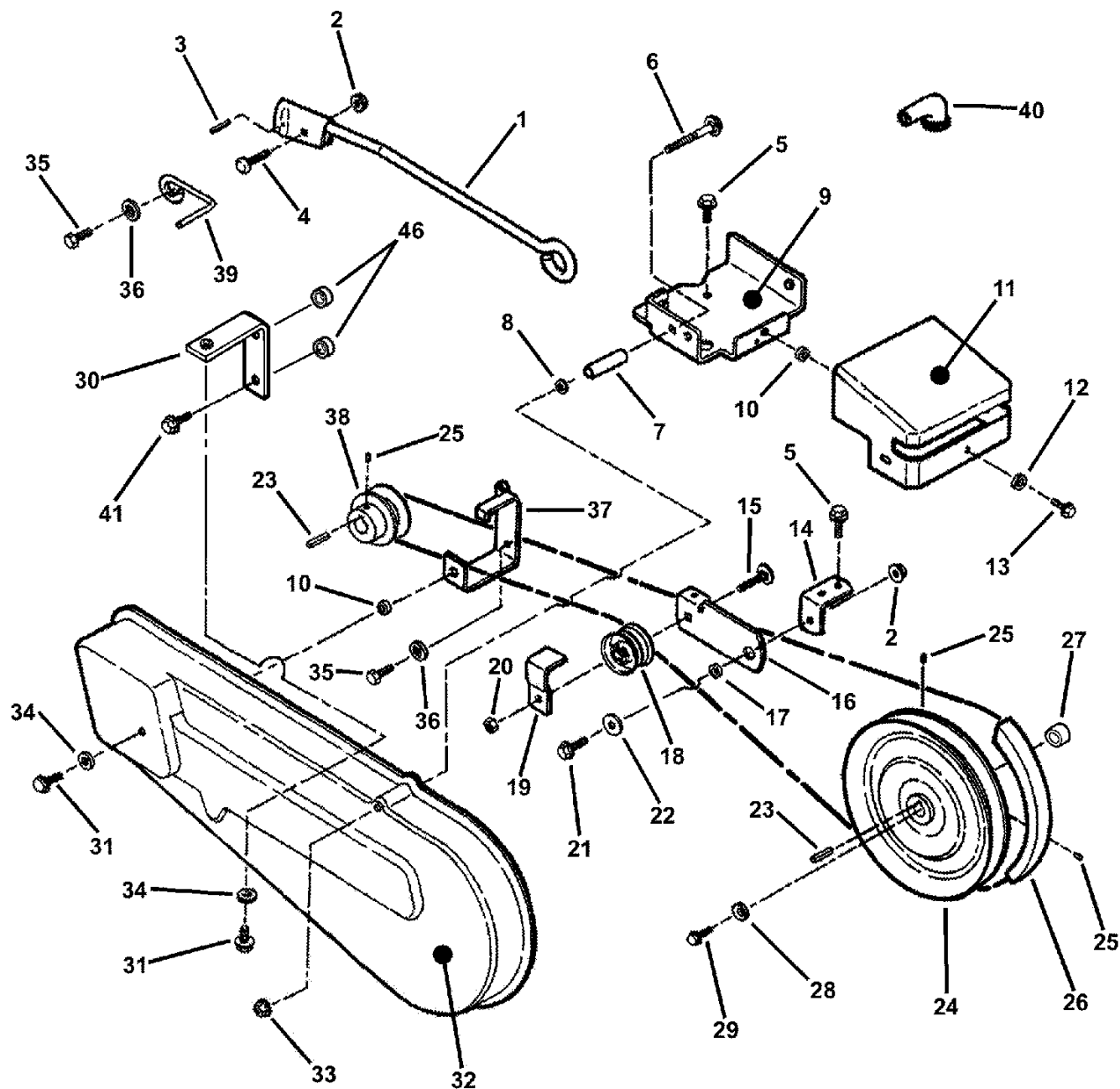


SHIFT & DRIVE COMPONENTS

Item	Part No	Qty	Description	Note
1	7047884	1	WELDMENT, Shift Lever	
2	7091601	8	NUT, 5/16-18 Hex Flange Lock	Was 91070
3	7013550	1	ROLL PIN 3/16 x 1"	
4	7091303	3	BOLT, 5/16-18 x 3/4" Square Neck Carriage GR5	Was 91072
5	7090361	12	SCREW, 5/16-18 x 5/8" Hex Washer Self-Tap	
6	7090959	1	BOLT, 5/16-18 x 2-1/2" Short Neck Carriage GR5	
7	7023851	1	TUBE, 3/8" I.D. x 1-7/8" Long	
8	7011791	1	RETAINER, 5/16" Bolt (Black)	
9	7038646	1	PLATE, Shift	
10	7033349	2	BUSHING, Rubber	
11	7017018	1	COVER, Shift	
	7046932	1	COVER, Shift	
12	7091294	3	WASHER, 1/4" Flat	Was 90055
13	7090290	3	SCREW, 1/4-20 x 3/4" Hex Washer Self-Tap	Was 91686
14	7032843	1	BRACKET, Idler Pivot (shown)	
	7074749	1	BRACKET, Idler Pivot (not shown)	
15	7090964	1	BOLT, 3/8-16 x 1-1/2" Flat Head Carriage	
16	7032846	1	BRACKET, Idler Arm (shown)	
	7074748	1	BRACKET, Idler Arm (not shown)	
17	7013849	1	SPACER, 5/16" I.D.	
18	7010948	1	PULLEY, Idler (2" Outside Diameter)	
19	7032662	1	GUIDE, Idler	
20	7091585	1	NUT, 3/8-16 Hex Center Lock GR5 or B	Was 90546
21	7090595	1	BOLT, 5/16-18 x 5/8" Hex Flange Lock GR5	
22	7016314	1	WASHER, 11/32" Flat	
23	7012830	1	KEY, 3/16 Sq. x 3/4" Long	
24	7011194	1	PULLEY, Driven (9" Outside Dia.)	
25	7090201	3	SCREW, 5/16-18 x 5/16" Hex Set	
26	7015403	1	BELT, Drive (4L Kevlar 19.09" effective length)	
27	7023852	1	SPACER, 5/8" Internal Dia.	
28	7091102	1	WASHER, 1/4" Belville	
29	7091122	1	SCREW, 1/4-20 x 1/2" Hex Washer Self-Tap	Was 90539
30	7033962	1	BRACKET, Belt Cover- IRT	
31	7091946	21	SCREW, 5/16-18 x 5/8" Hex Washer Self-Tap	
32	7016022	1	COVER, Belt	
33	7090951	1	NUT, 5/16-18 Hex Large Flange Center Lock	
34	7091076	16	WASHER, 5/16" Flat	

Footnotes:

NOTE: * Purchase engine parts from engine manufacture dealer.



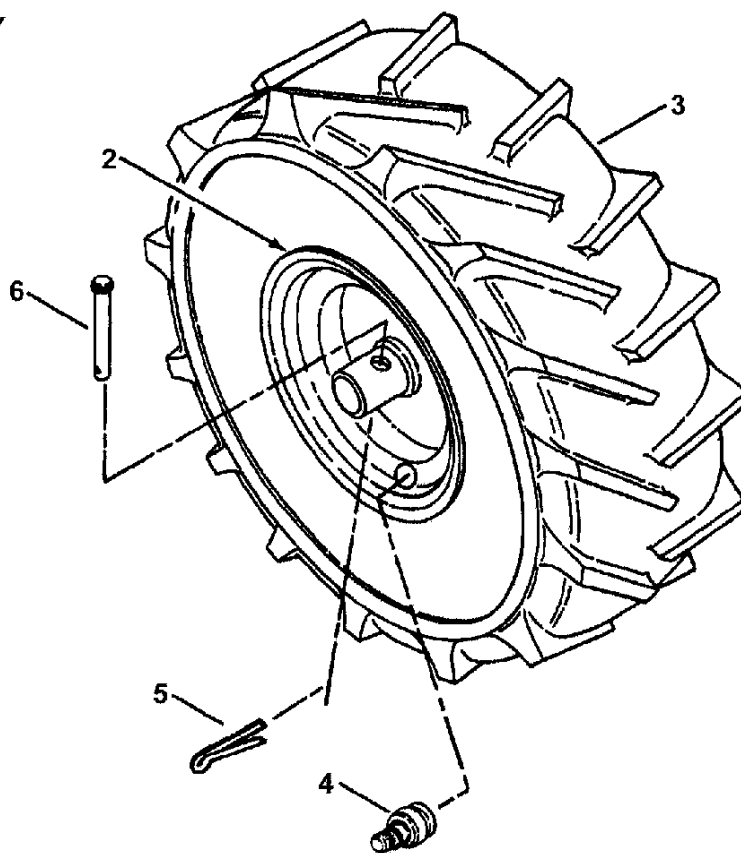
SHIFT & DRIVE COMPONENTS

Item	Part No	Qty	Description	Note
35	7090322	3	SCREW, 5/16-24 x 1/2" Hex Head Cap GR5	<i>Was 91685</i>
36	7090391	3	WASHER, 5/16" Internal Tooth Lock	
37	7032541	1	GUIDE, Belt	
38	7011809	1	PULLEY, Engine (2-1/2" Outside Dia.)	
39	7015226	1	GUIDE, Belt (Finger)	
40	7011762	1	BOOT, Spark Plug	
41	7091841	2	SCREW, 5/16-18 x 1" Hex Washer Self-Tap	<i>Was 91742</i>
			* ENGINE, B&S 5 HP Mod 130202-0127-01	
			* ENGINE, B&S 5.5 HP Mod 126432-0036-E1	
			* ENGINE, Honda 5.5 HP Mod GX160K1QX2 Type 553700	
		1	* ENGINE, B&S 7 HP Mod 120332-0208-E1	
42	7073743	1	MUFFLER GUARD, 5HP B&S #391237(Euro) not shown	
	7074764	1	MUFFLER GUARD, 5.5HP B&S (not shown)	
43	7073801	1	SCREW, B&S #94810 (Euro) (not shown)	
44	7073802	1	SCREW, B&S #94887 (Euro) (not shown)	
45	7074765	1	SCREW, B&S #95259 (Euro) (not shown)	
46	7028620	2	SPACER, .340 I.D. x .63 O.D. x .310 Thick	

Footnotes:

NOTE: * Purchase engine parts from engine manufacture dealer.

1 ASSEMBLY



WHEELS, TIRES, RIMS

Item	Part No	Qty	Description	Note
1	7018579	1	ASSEMBLY, Right Wheel (Incl. items 2, 3 & 4)	
	7018580	1	ASSEMBLY, Left Wheel (Incl. items 2, 3 & 4)	
2	7014512	1	RIM	
3	7014511	1	TIRE, 13 x 5.00 x 6 (Lug)	
4	7012234	1	VALVE, Air (Snap-In)	
5	7034162	2	PIN, 5/16" Self-Locking Cotter	
6	7029841	2	PIN, 5/16 x 1-11/16" Clevis	<i>Was 91677</i>

Footnotes:

SNAPPER GROUNDBREAKER



1



2

3



4

5



6

IMPORTANT SAFETY INSTRUCTIONS

1. Be familiar with all controls and know how to stop tiller quickly.
2. Never allow children or inexperienced persons to operate your tiller.
3. Keep everyone safely away from the area being tilled.
4. Wear protective clothing and appropriate shoes to provide best footing.
5. Stay alert, give complete and undivided attention to the job on hand.
6. Fill fuel tank only when engine is stopped and not hot. Fill outside where fumes can be safely dissipated.
7. Keep feet, hands and clothing safely away from tines at all times.
8. Disengage the tines and stop the engine before making any adjustments, clearing tines, or leaving the operator's position.

OPERATING INSTRUCTIONS

HANDLE POSITION:
POSITION HANDLE UP AND DOWN AS DESIRED.

DEPTH OF TILLING:
RAISE OR LOWER DEPTH BAR FOR DESIRED TILLING DEPTH.

ENGINE START:
CHECK OIL AND GAS, SET THROTTLE TO CHOKE OR FAST, AND PULL STARTER ROPE. SEE ENGINE MANUAL FOR DETAILS.

TILLER CLUTCH:
SHIFT TO DESIRED OPERATION AND PULL BACK AND UP ON CLUTCH BAIL FOR TRACTION DRIVE AND TILLING.

SEE OPERATOR'S MANUAL FOR ADDITIONAL INFORMATION

DECALS

Item	Part No	Qty	Description	Note
1	7071652		DECAL, Ground Breaker (5HP)	
	7074754		DECAL, Ground Breaker (5-1/2HP)	
2	7071655		DECAL, SNAPPER	
3	7071654		DECAL, 5HP Engine	
4	7071653		DECAL, Dash Panel (5HP)	
	7074756		DECAL, Dash Panel (5-1/2HP)	
5	7015684		DECAL, Warning (Rotating Tines)	
6	7043853		DECAL, Safety Operating Instructions	

Footnotes:

▲ WARNING

TO AVOID SERIOUS INJURY OR DEATH

- READ THE OPERATOR'S MANUAL.
- KNOW LOCATION AND FUNCTIONS OF ALL CONTROLS AND KNOW HOW TO STOP TILLER QUICKLY.
- NEVER ALLOW CHILDREN OR UNINSTRUCTED PERSONS TO OPERATE THE TILLER.
- KEEP EVERYONE SAFELY AWAY FROM TILLER.
- WEAR PROTECTIVE CLOTHING AND APPROPRIATE SHOES TO PROVIDE BEST FOOTING.
- USE EXTREME CAUTION WHEN REVERSING OR PULLING THE TILLER TOWARDS YOU.
- DISENGAGE THE TINES AND STOP ENGINE BEFORE CLEARING TINES, MAKING ANY ADJUSTMENTS OR LEAVING THE OPERATOR'S POSITION.
- KEEP AWAY FROM ROTATING PARTS.
- KEEP ALL CONTROLS, SHIELDS, AND OTHER SAFETY DEVICES IN PLACE AND WORKING.
- STOP ENGINE AND LET ENGINE COOL BEFORE REFUELING. ADD FUEL OUTDOORS WHERE FUMES CAN SAFELY DISSIPATE.
- STAY ALERT; GIVE COMPLETE AND UNDIVIDED ATTENTION TO THE JOB AT HAND.

OPERATING INSTRUCTIONS

HANDLE POSITION:
POSITION HANDLE UP AND DOWN AS DESIRED.

DEPTH OF TILLING:
RAISE OR LOWER DEPTH BAR FOR DESIRED TILLING DEPTH.

ENGINE START:
CHECK OIL AND GAS, SET THROTTLE TO CHOKE OR FAST AND PULL STARTER ROPE. SEE ENGINE MANUAL FOR DETAILS.

TILLER CLUTCH:
SHIFT TO DESIRED OPERATION AND PULL BACK AND UP ON CLUTCH BAIL FOR TRACTION DRIVE AND TILLING.

SEE OPERATOR'S MANUAL FOR ADDITIONAL INFORMATION

7

STARTING PROCEDURE

1. CHECK FUEL & OIL. (REF. ENGINE MANUAL).
2. MOVE TOP LEVER TO CHOKE & MOVE THROTTLE LEVER TO RUN.
3. PLACE FOOT ON TOP OF RIGHT WHEEL.
4. HOLD HANDLE BAR AND PULL STARTER ROPE UNTIL ENGINE STARTS.
5. REDUCE CHOKE AS ENGINE WARMS.

▲ WARNING



KEEP AWAY FROM ROTATING TINES. ROTATING TINES WILL CAUSE INJURY.

8

STARTING PROCEDURE

1. CHECK FUEL & OIL. (REF. ENGINE MANUAL).
2. MOVE TOP LEVER TO CHOKE & MOVE THROTTLE LEVER TO RUN.
3. PLACE FOOT ON TOP OF RIGHT WHEEL.
4. HOLD HANDLE BAR AND PULL STARTER ROPE UNTIL ENGINE STARTS.
5. REDUCE CHOKE AS ENGINE WARMS.

▲ WARNING ▲




KEEP AWAY FROM ROTATING TINES. ROTATING TINES MAY CAUSE INJURY.

9

STARTING PROCEDURE

1. CHECK FUEL & OIL. (REF. ENGINE MANUAL).
2. MOVE TOP LEVER TO CHOKE & MOVE THROTTLE LEVER TO RUN.
3. PLACE FOOT ON TOP OF RIGHT WHEEL.
4. HOLD HANDLE BAR AND PULL STARTER ROPE UNTIL ENGINE STARTS.
5. REDUCE CHOKE AS ENGINE WARMS.



ATTENTION!

- ENGINE BASE MUST BE LEVEL WHEN CHECKING OIL.
- LOW OIL LEVEL CAN RESULT IN ENGINE DAMAGE.

▲ WARNING

STANDING TILLER ON END WITH FUEL TANK MORE THAN 1/2 FULL COULD RESULT IN:

- EXTERNAL FUEL LEAK AND FIRE HAZARD.
- FUEL LEAK INSIDE ENGINE AND ENGINE DAMAGE.

11

12

▲ CAUTION ▲

STANDING TILLER ON END WITH FUEL TANK MORE THAN 1/2 FULL COULD RESULT IN:

- EXTERNAL FUEL LEAK AND POTENTIAL FIRE HAZARD.
- FUEL LEAK INSIDE ENGINE AND ENGINE DAMAGE.

10

13

14

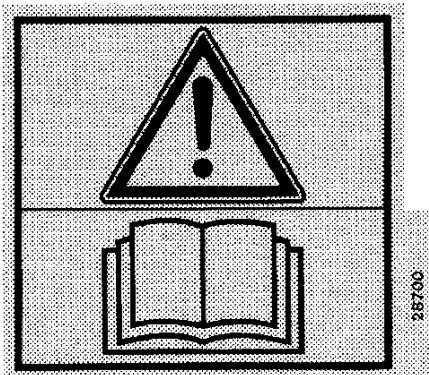
This Product may be covered by one or more of the following patents:

4,158,270	4,160,112
4,189,804	4,238,036
4,430,848	4,498,552
4,620,733	4,936,886
4,889,400	4,942,241
5,105,733	5,195,308
5,287,379	5,303,539
5,353,981	5,488,816
5,526,035	5,558,460
Other Patents Pending	2,947,0

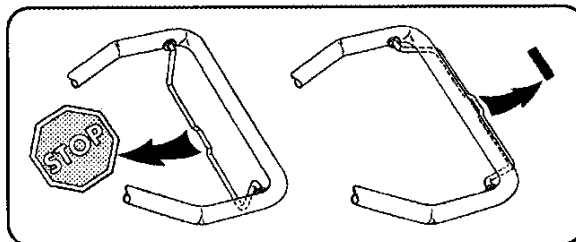
DECALS (continued)

Item	Part No	Qty	Description	Note
7	7046534		DECAL, Warning/Instructions	
8	7046919		DECAL, Starting and Warning	
9	7043854		DECAL, Warning/Starting Procedure	
10	7017682		DECAL, Engine Oil	
11	7015408		DECAL, Starting Procedure	
12	7046994		DECAL, Caution (Standing on end)	
13	7023043		DECAL, Caution (Standing on end)	
14	7029470		DECAL, Patent Numbers	

Footnotes:



15



16



18



17



19

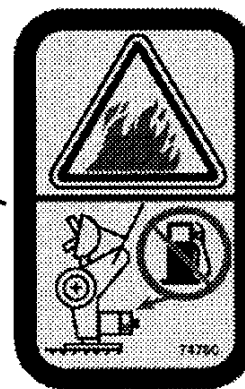
20



This chain case was
built and inspected
by _____ .

21

22



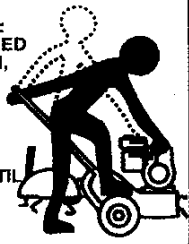
DECALS (continued)

Item	Part No	Qty	Description	Note
15	7028700		DECAL, Chute/Read Manual (Euro)	
16	7042837		DECAL, OPC Tiller (Euro)	
17	7072134		DECAL, Dash Panel (Euro)	
18	7073339		DECAL, OPEI Tiller	
19	7075378		DECAL, 2003 Year of Manufacture	
	7074548		DECAL, 2002 Year of Manufacture	
20	7029776		DECAL, European Community	
21	7047040		DECAL, Chain Case Inspected By	
22	7074760		DECAL, Fuel Safety Tiller	

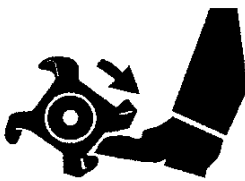
Footnotes:

STARTING PROCEDURE

1. CHECK FUEL & OIL (REF. ENGINE MANUAL).
2. SET ENGINE CONTROLS: CHOKE ON, ENGINE SPEED FAST, FUEL VALVE OPEN, KILL SWITCH ON (IF EQUIPPED).
3. PLACE FOOT ON TOP OF RIGHT WHEEL.
4. HOLD HANDLE BAR AND PULL STARTER ROPE UNTIL ENGINE STARTS.
5. REDUCE CHOKE AS ENGINE WARMS.

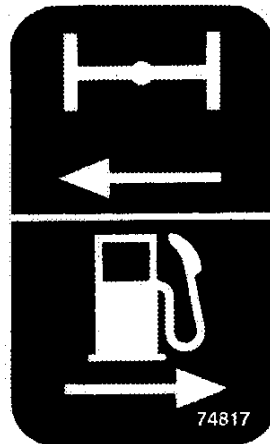


WARNING

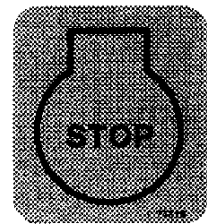


KEEP AWAY FROM ROTATING TINES. ROTATING TINES WILL CAUSE INJURY.

74814



74817



CAUTION

IF BATTERY IS REMOVED, DO NOT OPERATE ENGINE WITHOUT INSULATING POS+ BATTERY CABLE TERMINAL WITH ELECTRICAL TAPE, OR SPARKING FROM BATTERY CABLES CAN RESULT.



ENGINE "ON-OFF" SWITCH IN FRONT OF ENGINE. →

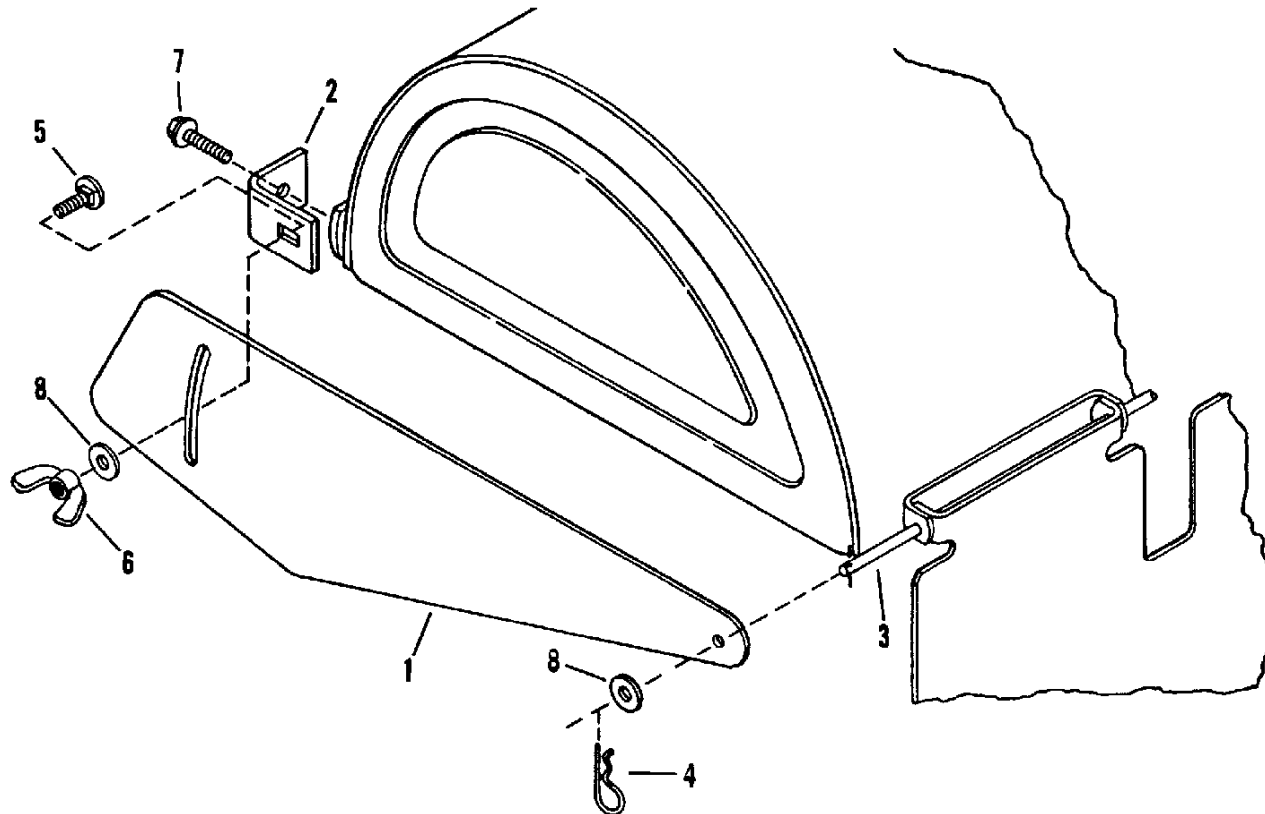
74820

DECALS (continued)

Item	Part No	Qty	Description	Note
23	7074814		DECAL, Warning and Starting Instruction	
24	7074815		DECAL, Stop	
25	7074816		DECAL, Speed	
26	7074817		DECAL, Choke and Fuel	
27	7074820		DECAL, Engine On-Off	
28	7016134		DECAL, Caution Tag	

Footnotes:

#6-0865 CULTIVATOR SHIELD KIT

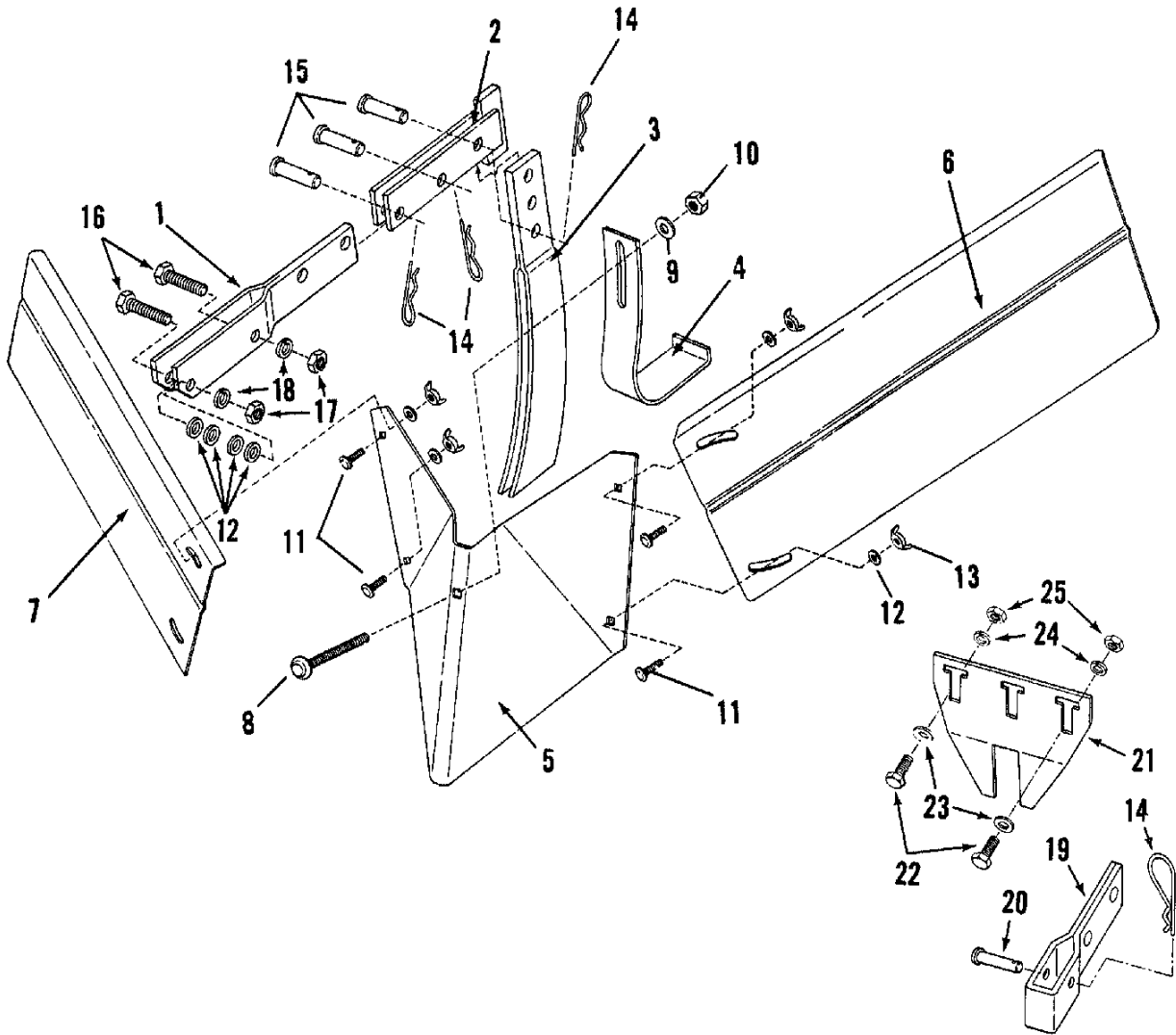


CULTIVATOR SHIELD KIT

Item	Part No	Qty	Description	Note
	7060865		KIT, Cultivator Shield	<i>(Incl. items 1 thru 9)</i>
1	7036266	2	CULTIVATOR, Shield	
2	7032724	2	BRACKET, Front Latch	
3	7038397	1	PIN, Drag Shield	
4	7012431	2	PIN, 1/4" Hair	
5	7090803	1	BOLT, 1/4-20 x 5/8" Flat Hd. Short Neck Carriage	
6	7090911	2	SCREW, 1/4-20 x 1-1/4" Hex Washer Self-Tap	
7	7091294	1	WASHER, 1/4" Flat	<i>Was 90055</i>
8	7091597	2	PIN, 3/32 x 3/4" Cotter	<i>Was 90037</i>

Footnotes:

#6-0731 HILLER/FURROWER KIT



HILLER - FURROWER KIT

Item	Part No	Qty	Description	Note
	7060731		KIT, Hiller/Furrower	<i>(Incl. items 1 thru 26)</i>
1	7047875	1	BRACKET, Clevis	
2	7047858	1	DRAW-BAR	
3	7047865	1	STANDARD	
4	7032430	1	SKID-SHOE	
5	7035072	1	HILLER-FURROWER	
6	7036135	1	WING, Left Side Hiller	
7	7036134	1	WING, Right Side Hiller	
8	7090779	1	BOLT, 1/2-13 x 3-1/2" Sh. Neck. Carriage GR2	
9	7090705	1	WASHER, 1/2" Flat	
10	7091316	1	NUT, 1/2-13 Hex GR5 or B	<i>Was 90258</i>
11	7090316	4	BOLT, 5/16-18 X 3/4" Square Neck Carriage GR5	
12	7090188	8	WASHER, 5/16" Flat	
13	7091537	4	WING-NUT, 5/16-18	<i>Was 90492</i>
14	7091596	3	PIN, 1/8" Hair	<i>Was 13844</i>
15	7013111	3	PIN, 1/2 x 1" Clevis	
16	7091540	2	BOLT, 5/16-18 x 1-1/2" Hex Head Cap GR5	<i>Was 90211</i>
17	7091511	2	NUT, 5/16-18 Hex GR5 or B	<i>Was 90196</i>
18	7080187	2	WASHER, 5/16" Split Lock	
19	7040527	1	BRACKET, Mounting (Front Tine Tiller only)	
20	7013460	1	PIN, 3/8 x 1-1/2" Clevis (Front Tine Tiller only)	
21	7038217	1	SUPPORT, Clevis	
22	7090134	2	SCREW, 3/8-16 x 3/4" Hex Head Cap GR5	
23	7090122	1	WASHER, 3/8" Flat	
24	7090118	2	WASHER, 3/8" Split Lock	
25	7091302	6	NUT, 3/8-16 Hex GR5 or B	<i>Was 90130</i>
26	7014206	1	SPACER (not shown)	

Footnotes:

Parts Manual for

SNAPPER®

INTERMEDIATE REAR TINE TILLERS SERIES 3, 4 & 5

IT IS THE POLICY OF SNAPPER TO IMPROVE ITS PRODUCTS
WHENEVER IT IS POSSIBLE AND PRACTICAL TO DO SO. WE
RESERVE THE RIGHT TO MAKE CHANGES OR ADD IMPROVEMENTS
AT ANY TIME WITHOUT INCURRING ANY OBLIGATION TO MAKE
SUCH CHANGES ON PRODUCTS MANUFACTURED PREVIOUSLY.

SNAPPER® McDonough, GA, 30253 U.S.A.

Free Manuals Download Website

<http://myh66.com>

<http://usermanuals.us>

<http://www.somanuals.com>

<http://www.4manuals.cc>

<http://www.manual-lib.com>

<http://www.404manual.com>

<http://www.luxmanual.com>

<http://aubethermostatmanual.com>

Golf course search by state

<http://golfingnear.com>

Email search by domain

<http://emailbydomain.com>

Auto manuals search

<http://auto.somanuals.com>

TV manuals search

<http://tv.somanuals.com>