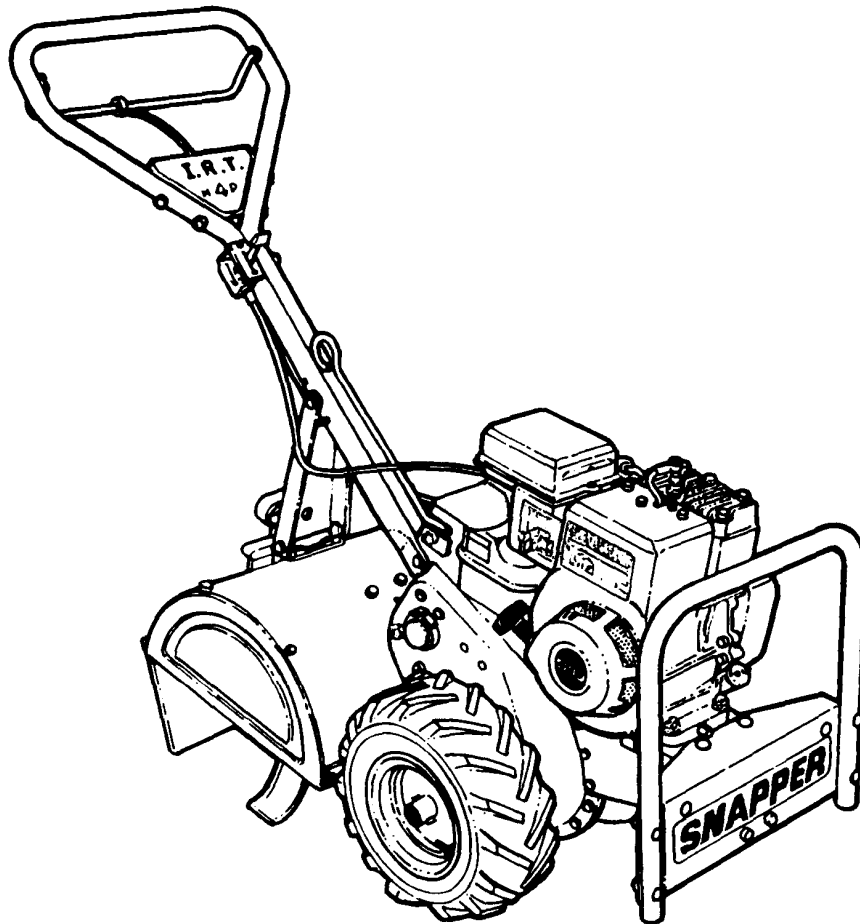


Parts Manual for
SNAPPER[®]

**INTERMEDIATE
REAR TINE TILLERS
SERIES 0, 1 & 2**

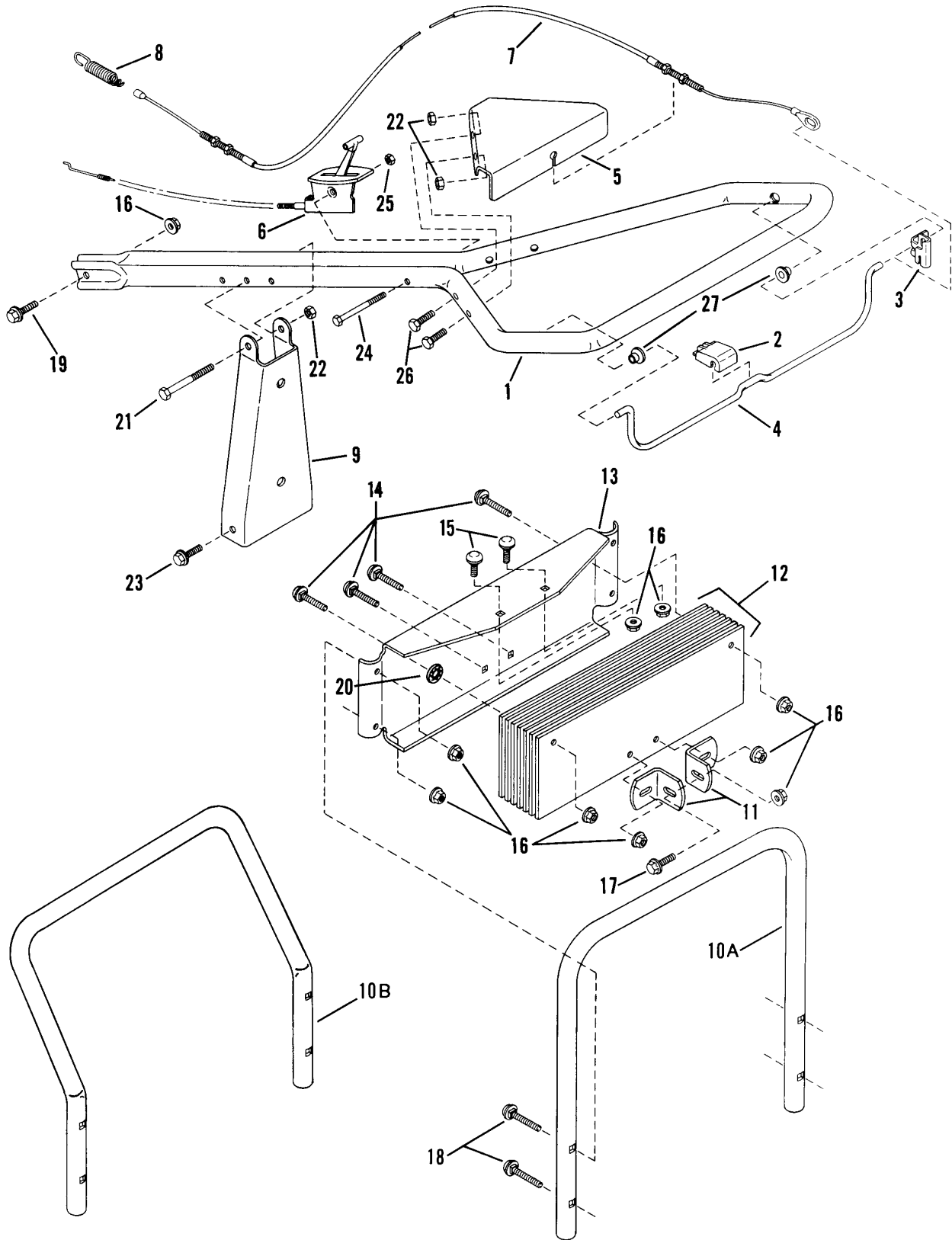


MODEL
IR4000B
IR4001B
IR4002T
IR4002B
IR5002B

SNAPPER McDonough, GA, 30253 U.S.A.

PAGE	GROUP
4	Handle, Controls, Weights
6	Main Case & Gears
12	Tiller Head Components
14	Shift & Drive Components
18	Wheels, Tires, Rims
20	Decals
22	Accessory - Cultivator Shield Kit
24	Accessory - Hiller-Furrower Kit

Handle, Controls, Weights

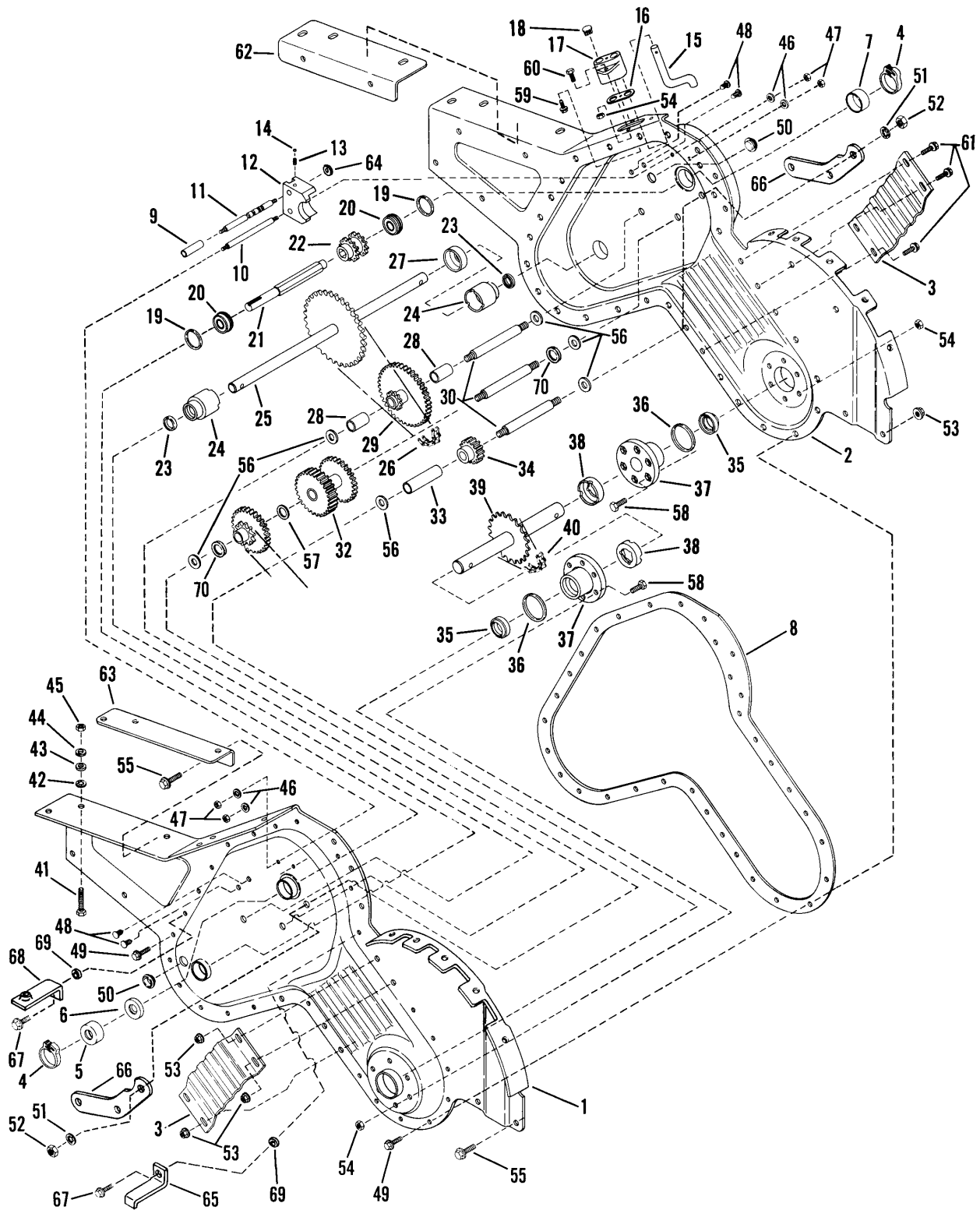


Handle, Controls, Weights

Item	Part No	Qty	Description	Note
1	7036169		BAR, Handle	
2	7014682		COVER, Cable	
3	7032593		CATCH, Bail	
4	7018787		BAIL	
5	7036170		PANEL, Dash	
6	7018921		CONTROL, Throttle (Series 0 & 1)	
7	7018808		CABLE, Clutch	
8	7015252		SPRING, Tine	
9	7038221		SUPPORT, Handle	
10A	7036171		BAR, Stand-Up (Briggs & Stratton)	
10B	7033131		BAR, Stand-Up (Tecumseh)	
11	7032496	2	BRACKET, Weight	
12	7038223	7	WEIGHT, Steel	
13	7035107		BOX, Weight	
14	7090861	4	BOLT, 5/16-18 x 1 3/4" Carriage	
15	7090316	2	BOLT, 5/16-18 x 5/8" Carriage	Was 90605
	7090316		BOLT, 5/16-18 x 3/4" Carriage (IR 50028)	
16	7091601	12	LOCKNUT, 5/16-18 Hex Flange	Was 90585
17	7090595		BOLT, 5/16-18 x 3/4" Hex Flange Lock	
18	7091612	4	BOLT, 5/16-18 x 1 1/2" Carriage	Was 90582
19	7090661		BOLT, 5/16-18 x 1" Hex Flange Lock	
20	7011791	4	RETAINER, 5/16 Bolt	
21	7090831		SCREW, 5/16-18 x 2 3/4" Hex Head Cap	
22	7091575	5	LOCKNUT, 5/16-18 Hex	Was 90184
23	7091541	2	SCREW, 5/16-18 x 3/4" Self-Tapping	Was 90368
24	7091732		SCREW, 1/4-20 x 2 3/4" Hex Head Cap	Was 90971
25	7090372		LOCKNUT, 1/4-20 Hex	
26	7091540	4	SCREW, 5/16-18 x 1 1/2" Hex Head Cap	Was 90211
27	7014681	2	BUSHING	

Footnotes:

Main Case & Gears



Main Case & Gears

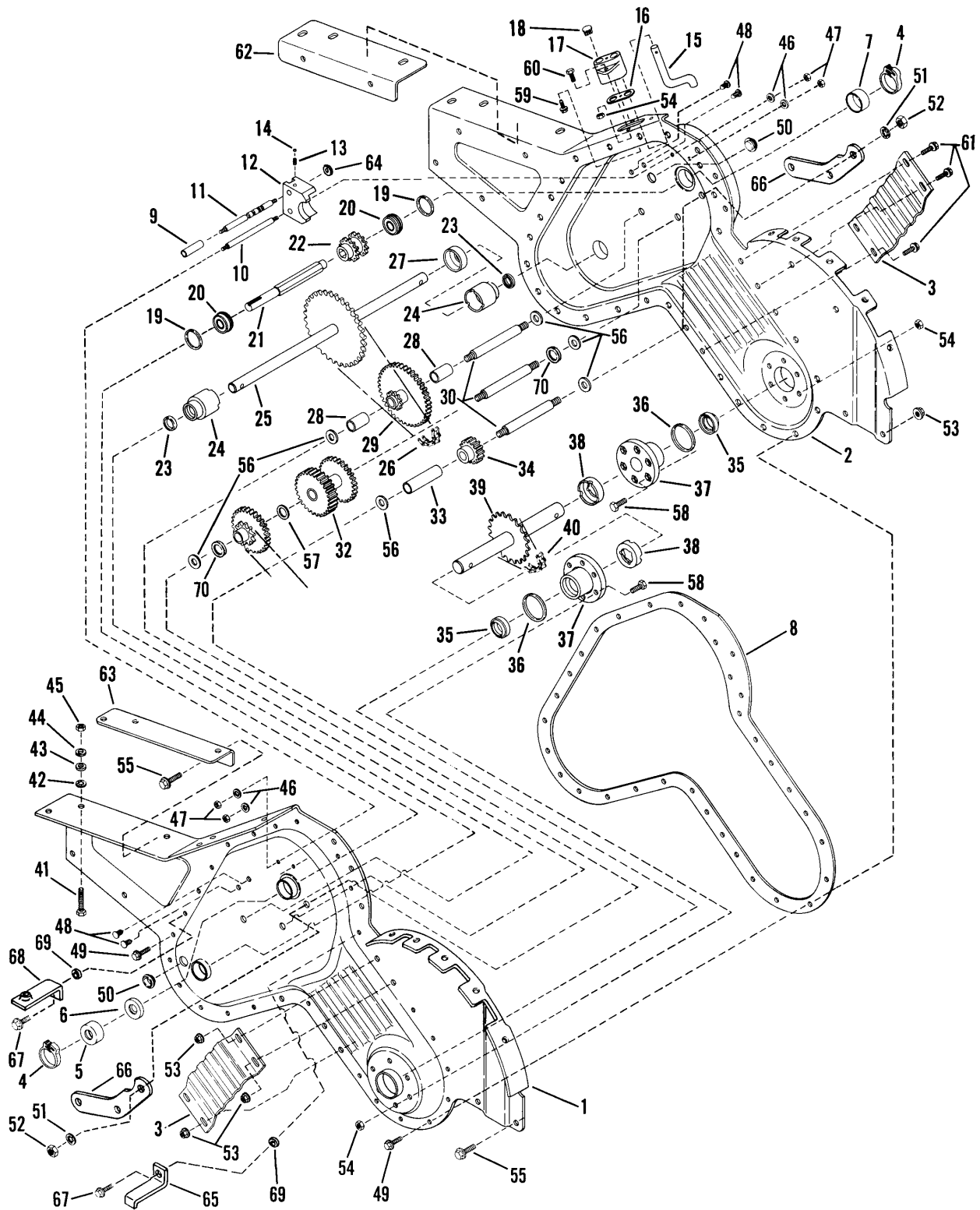
Item	Part No	Qty	Description	Note
	7059969		CASE ASSM'Y., Complete	(Service Kit)
1	7035520		CASE, Left Hand Tiller	Was 35094 (Series 0 & 1)
	7035220		CASE, Left Hand Tiller	(Series 2)
2	7035218		CASE, Right Hand Tiller	Was 35095 (Series 0 & 1)
	7035218		CASE, Right Hand Tiller	(Series 2)
3	7038222	2	REINFORCEMENT, Case	
4	7015597	2	* CLAMP, Speedy	
5	7015040		* SEAL, Boot Oil	
6	7015716		* SEAL, Oil	
7	7015598		* SEAL, Cap	
8	7028753		GASKET, Main Case	Was 16021
9	7015348		SPACER, Main Shaft	
	7022514		SPACER, Main Shift (IR 5002B)	
10	7021977		PIN, Guide	
11	7022512		SHAFT, Main Detent	
12	7018786		FORK, Primary Shaft	
13	7023252		SPRING	Was 14500
14	7014469		BALL	
15	7015405		CRANK, Shift	
16	7015679		GASKET, Shift Arm	
17	7015313		PIVOT, Shift Arm	
18	7015409		* PLUG, 1/2" Button	
19	7015350	2	O-RING	
20	7010756	2	BEARING	
21	7023849		* SHAFT, Input	Was 22054 (Series 0 & 1)
	7023849		SHAFT, Input	(Series 2)
22	7015982		PINION, Input	
23	7015136	2	SEAL, Oil	
24	7015319	2	BEARING, Axle	
25	7040609		* WELDMENT, Axle	Was 40530 (Series 0 & 1)
	7040609		WELDMENT, Axle	(Series 2)
26	7015347		CHAIN, Traction #40	
27	7015318		SPACER, Wheel Shaft	
28	7015348	2	SPACER	
29	7018790		GEAR & SPROCKET	
30	7045127		SHAFT, Gear	Was 22367
31	7053662		** ASSEMBLY, Tine Drive Gear	Was 52634

Footnotes:

NOTE: * Not Used On Model IR 5002B

NOTE: ** Part # 15339 DX Bearings are included, if purchased separately they must be pressed in.

Main Case & Gears



Main Case & Gears

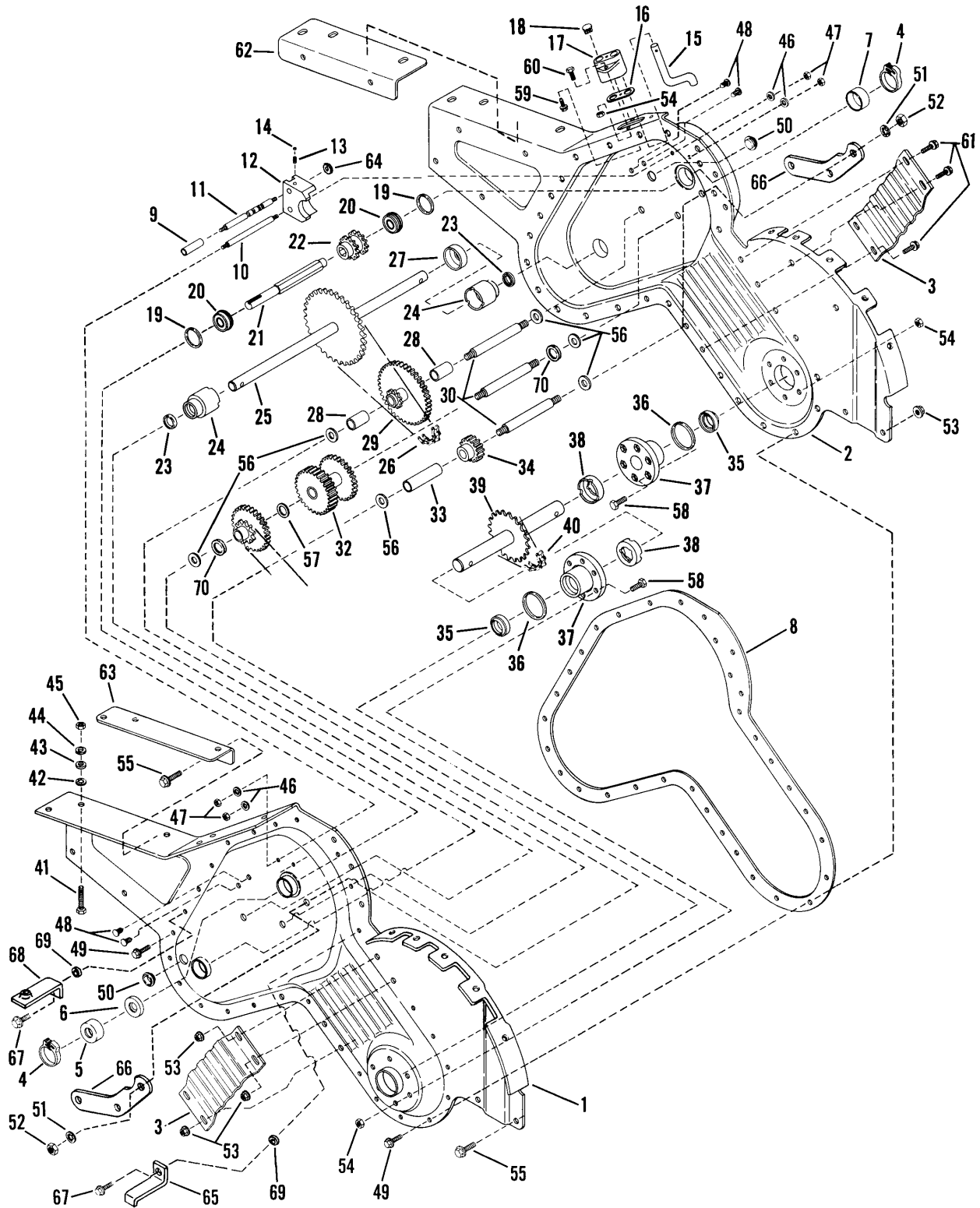
Item	Part No	Qty	Description	Note
32	7054412		** ASSEMBLY, Wheel Drive Gear	Was 51654
33	7015323		SPACER, Reverse	
34	7051653		** ASSEMBLY, Reverse Idler	
35	7015342	2	SEAL, Oil	
36	7015343	2	O-RING	
37	7018869	2	BEARING, Tine Shaft	
38	7015315		SPACER, Tine Shaft	
39	7041657		* STRUCTURE, Tine Shaft	Was 47881 (Series 0 & 1)
	7041657		STRUCTURE, Tine Shaft	Was 57650 (Series 2)
40	7015346		CHAIN, Tine #40	
41	7090244	4	SCREW, 5/16-24 x 1 3/4" Hex Hd. Cap	
42	7011791	4	RETAINER, 5/16 Bolt	
43	7090188	5	WASHER, 5/16 Flat	
44	7090187	4	LOCKWASHER, 5/16 Split	
45	7091297	4	NUT, 5/16-24 Hex	Was 90223
46	7090053	4	WASHER, 1/4 Int. Tooth Lock	
47	7090095	4	NUT, 1/4-20 Hex	
48	7073293	4	* FASTENER, Ratchet	Was 15404 ('88 Models Only)
49	7090858	27	SCREW, 5/16-18 x 1/2" Self-Tapping	
50	7011024		PLUG	
51	7090873	6	WASHER, 7/16 Int. Tooth Lock	
52	7090460	6	NUT, 7/16-20 Hex	
53	7091601	8	LOCKNUT, 5/16-18 Hex Flange	Was 90585
54	7090372	14	LOCKNUT, 1/4-20 Hex	
55	7090721	33	BOLT, 5/16-18 x 1/2" Hex Flg. Lock	
56	7090953	6	SHIM	
57	7020938		SHIM	
58	7090072	12	SCREW, 1/4-20 x 5/8" Hex Hd. Cap	
59	7090952		* SCREW, 1/4-20 x 1/2" Self-Tapping	
60	7090290	3	SCREW, 1/4-20 x 3/4" Self-Tapping	
61	7090595	5	BOLT, 5/16-18 x 3/4" Hex. Flg. Lock	
62	7038647		REINFORCEMENT, R.H. Frame	(Series 0 & 1)
	7038647		REINFORCEMENT, R.H. Frame	(Series 2)
63	7038648		REINFORCEMENT, L.H. Frame	38358 (Series 0 & 1)
	7038648		REINFORCEMENT, L.H. Frame	(Series 2)
64	7090987		* WASHER, Shim	
65	7032845		BRACE, Belt Cover	Was 38356 (Series 0 & 1)
	7032845		BRACE, Belt Cover	(Series 2)

Footnotes:

NOTE: * Not Used On Model IR 5002B

NOTE: ** Part # 15339 DX Bearings are included, if purchased separately they must be pressed in.

Main Case & Gears



Main Case & Gears

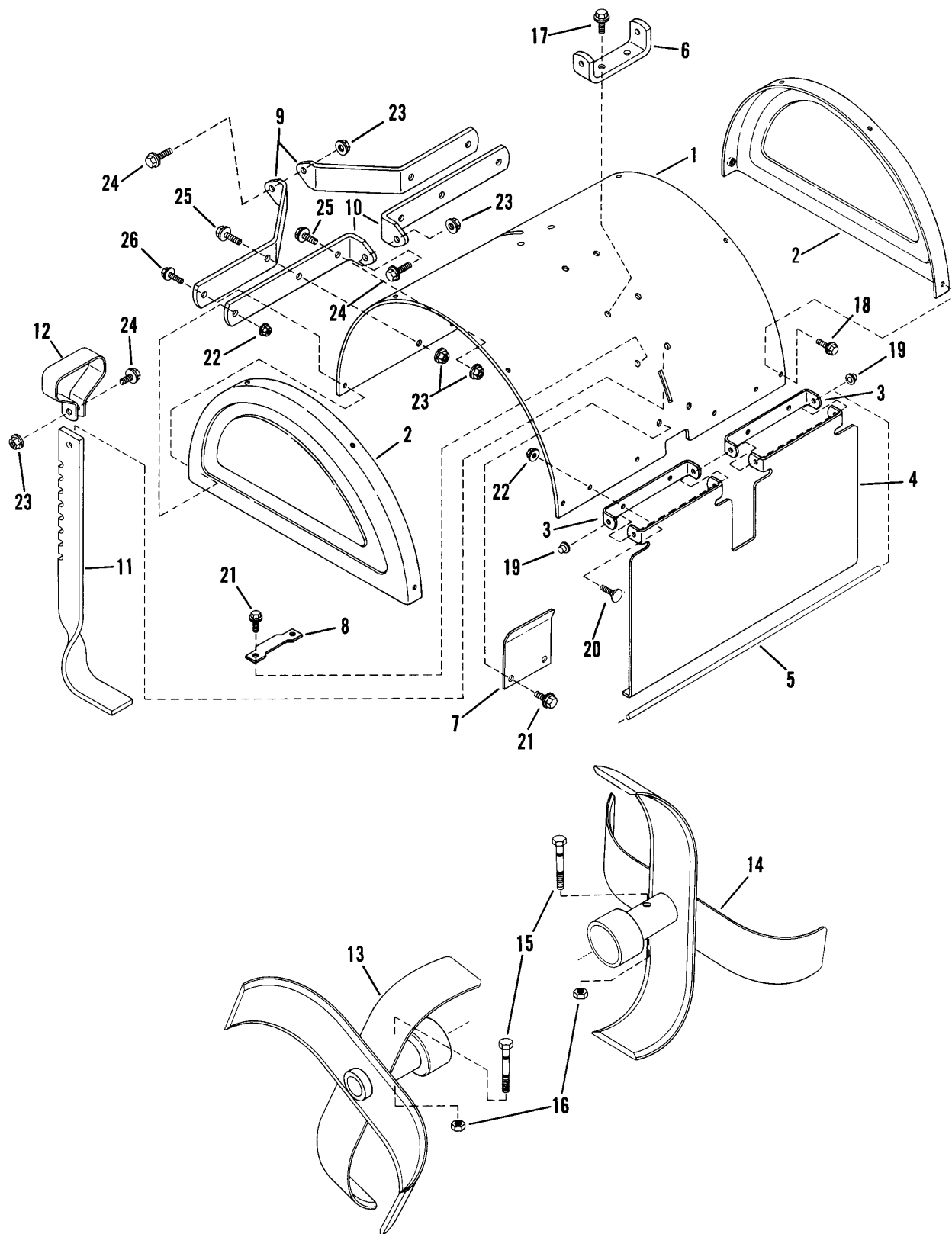
Item	Part No	Qty	Description	Note
66	7061174	2	SIDE PLATE	Was 33415
67	7090361	2	SCREW, 5/16-18 x 5/8" Self-Tapping	
	7091541		SCREW, 5/16-18 x 3/4" Self-Tapping (IR 5002B)	Was 90368
68	7033962		BRACKET, Belt Cover	Was 32844
69	7014206	2	SPACER, (IR 5002B)	
70	7033531	2	WASHER, Shim	

Footnotes:

NOTE: * Not Used On Model IR 5002B

NOTE: ** Part # 15339 DX Bearings are included, if purchased separately they must be pressed in.

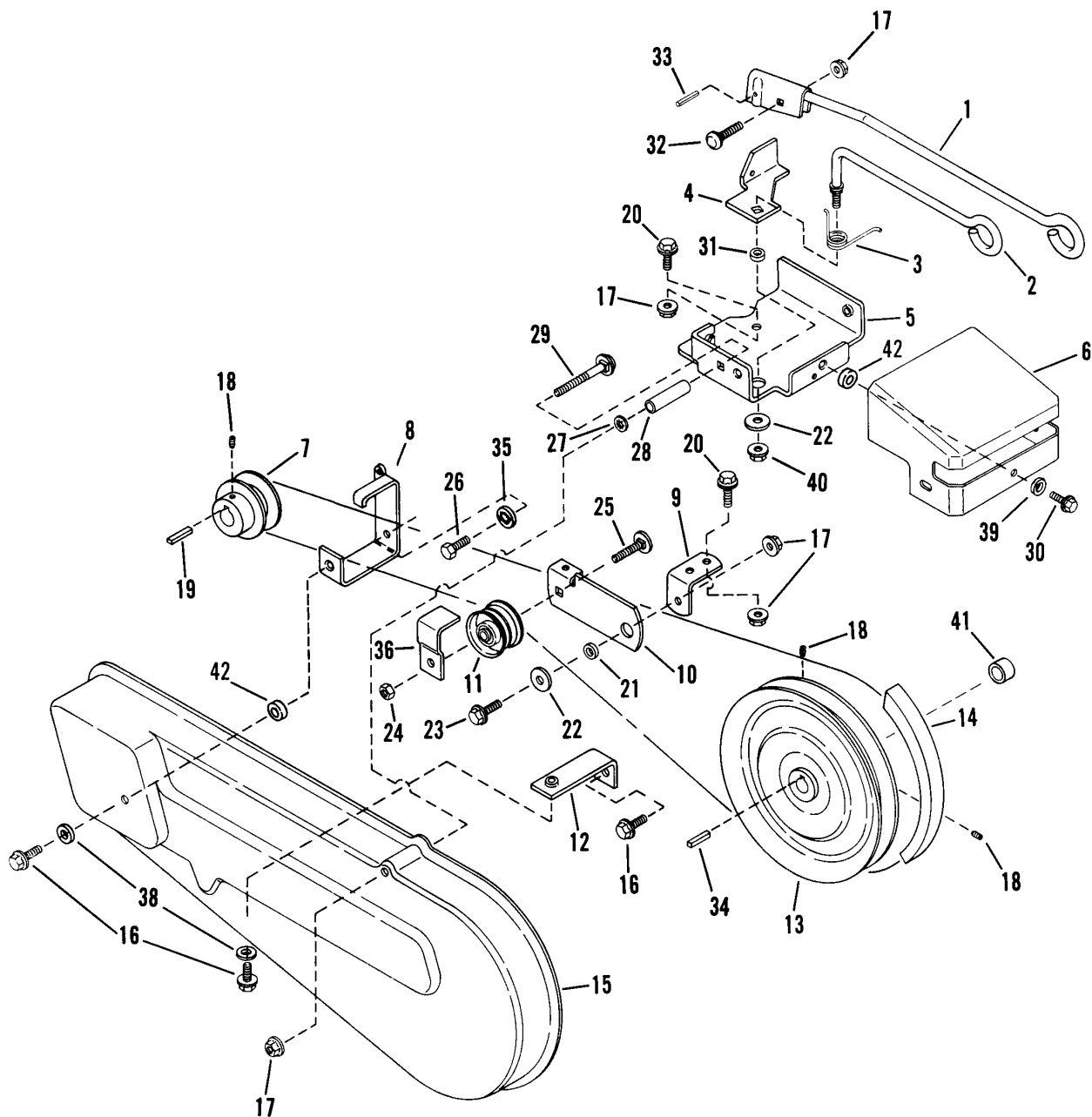
Tiller Head Components



Tiller Head Components

Item	Part No	Qty	Description	Note
1	7035101		COVER, Tine	
2	7036166	2	COVER, Side Tine	
3	7032536	2	HINGE, Half	
4	7036168		SHIELD, Drag	
5	7032494		PIN, Drag Shield	
6	7032507		BRACKET, Support	
7	7032659		SPRING, Depth Bar	
8	7032592		PLATE, Latch	
9	7038272	2	REINFORCEMENT, Front Tine Cover	
10	7038273	2	REINFORCEMENT, Rear Tine Cover	
11	7038235		BAR, Depth	
12	7032553		HANDLE, Depth Bar	
13	7075158		STRUCTURE, Left Tine	Was 49734
14	7075157		STRUCTURE, Right Tine	Was 49735
15	7028725	2	BOLT, 5/16-24 x 2" Shear	Was 15676
16	7090222	2	NUT, 5/16-24 Hex Lock	
17	7091541	2	SCREW, 5/16-18 x 3/4" Self-Tapping	Was 90368
18	7091084	6	SCREW, 1/4-20 x 3/8" Self-Tapping	Was 90302
19	7091020	2	NUT, 1/4 Push	Was 90489
20	7091604	4	BOLT, 1/4-20 x 1/2" Flat Head Carriage	Was 90969
21	7090361	8	SCREW, 5/16-18 x 5/8" Self-Tapping	
22	7091584	6	NUT, 1/4-20 Hex Flange Lock	Was 90583
23	7091601	7	NUT, 5/16-1B Hex Flange Lock	Was 90585
24	7090661	3	BOLT, 5/16-18 x 1" Hex Flange Lock	
25	7090606	4	BOLT, 5/16-18 x 5/8" Hex Flange Lock	
26	7090290	2	SCREW, 1/4-20 x 3/4" Self-Tapping	

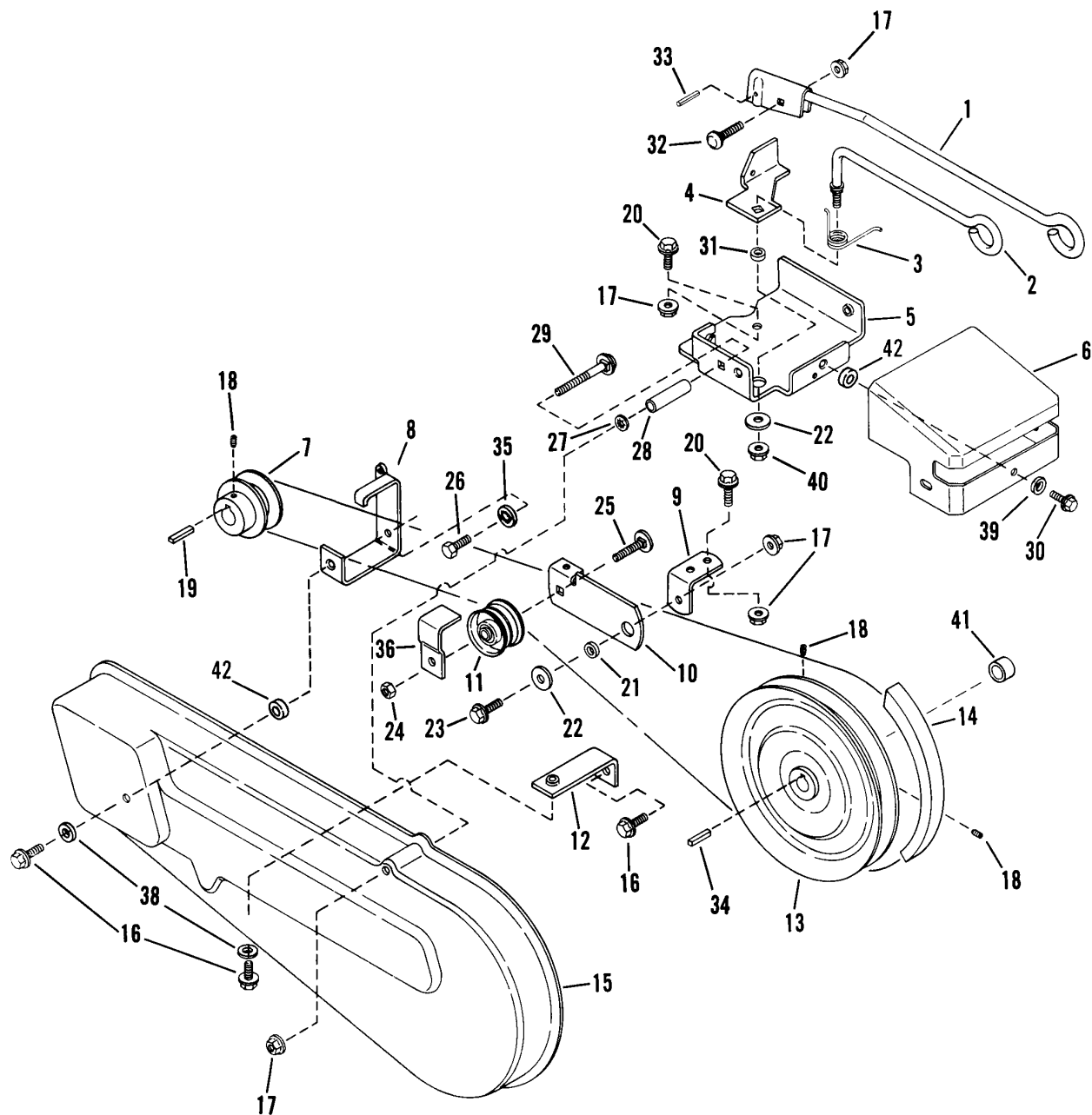
Footnotes:



Shift & Drive Components

Item	Part No	Qty	Description	Note
1	7047884		LEVER, Shift	
2	18924		LEVER, Lockout	1988 Models Only.
3	7015605		SPRING, Interlock	1988 Models Only.
4	32591		INTERLOCK, Shift	1988 Models Only.
5	7038646		PLATE, Shift	Was 38234 (Series 0 & 1)
	7038646		PLATE, Shift	(Series 2)
6	7017004		COVER, Shift	1988 Models Only.
	7017018		COVER, Shift	1989 Models & Later.
7	7011809		PULLEY, Engine	
8	7032541		GUIDE, Belt	
9	32538		BRACKET, Idler Pivot	(Series 0 & 1)
	7032843		BRACKET, Idler Pivot	(Series 2)
10	7032846		BRACKET, Idler Arm	Was 32537 (Series 0 & 1)
	7032846		BRACKET, Idler Arm	(Series 2)
11	7010948		PULLEY, Idler	
12	7032539		BRACKET, Belt Cover	
	7033962		BRACKET, Belt Cover	Was 32844
13	7011194		PULLEY, Driven	
14	7015403		BELT, Drive	
15	7016022		COVER, Belt	
16	7090858	3	SCREW, 5/16-18 x 1/2 Self-Tapping	
	7091541	3	SCREW, 5/16-18 x 3/4" Self-Tapping (IR 5002B)	Was 90368
17	7091601	6	NUT, 5/16-18 Hex Flange Lock	Was 90585
18	7090954	3	SCREW, 5/16-18 x 5/16" Hex Set	
19	7010061		KEY, 3/16 x 1" Square	
20	7090721	4	BOLT, 5/16-18x1/2" Hex Flange Lock	1988 Models Only.
	7090361	4	SCREW, 5/16-18x5/8" Self-Tapping	1989 Models & Later.
21	7013849		SPACER	
22	7014098	1	WASHER, 11/32 Flat	
23	7090595		BOLT, 5/16-18x3/4" Hex Flange Lock	
24	7091585		NUT, 3/8-16 Hex Lock	Was 90546
25	7090964		BOLT, 3/8-16x1-1/2" Flat Head Carriage	
26	7090322	2	SCREW, 5/16-24x1/2" Hex Head Cap	
27	7011791		RETAINER, 5/16 Bolt	
28	7013025		BUSHING	(SERIES 0 & 1)
	7023851		TUBE-CUT	(SERIES 2)
29	7090959		BOLT, 5/16-18 x 2-1/2" Short Neck Carriage	

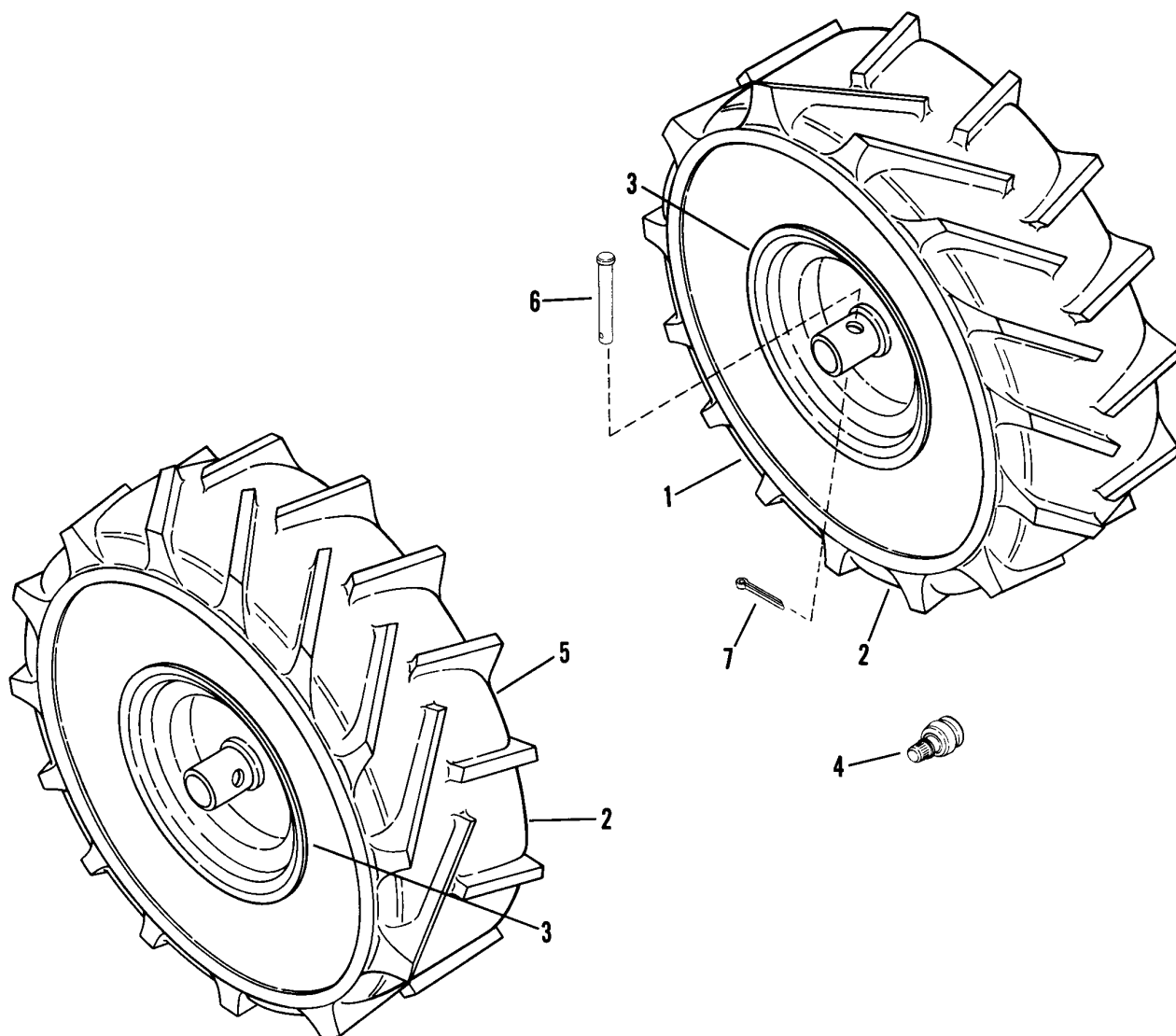
Footnotes:



Shift & Drive Components

Item	Part No	Qty	Description	Note
30	7091122	3	BOLT, 1/4-20x1/2" Self-Tapping	Was 90539
31	7015618		SPACER	1988 Models Only.
32	7091303		BOLT, 5/16-18x1" Short Neck Carriage	Was 90383
33	7013550		PIN,L 3/16x1" Roll	
34	7012830		KEY, 3/16x3/4" Square	
35	7090391		WASHER, 5/16 Internal Tooth Lock	1988 Models Only.
36	7032662		GUIDE, Idler	
37	7011762		BOOT, Spark Plug (not shown)	
			ENGINE, Briggs & Stratton, 4 HP (not shown)	(Series 0 & 1)
			ENGINE, Briggs & Stratton, 4 HP (not shown)	(Series 2)
	--		ENGINE, Briggs & Stratton, 5 HP (B&S # 135202-0127-01)(IR 5002B)	(Not Shown)
38	7090188	2	WASHER, 5/16 Flat	
39	7091294	3	WASHER, 1/4 Flat	Was 90055
40	7090951	2	NUT, 5/16-18 Hex Flange Lock	
41	7023852		SPACER, 5/8 I.D.	(Series 2)
42	7033349	2	BUSHING, Rubber (IR 5002B)	

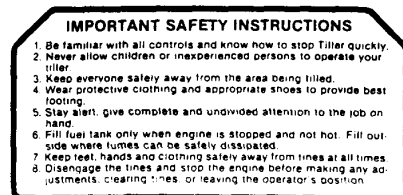
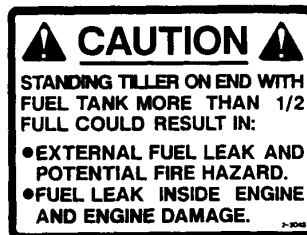
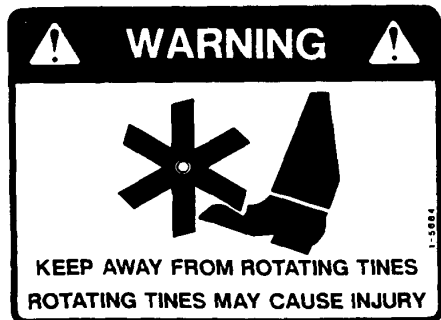
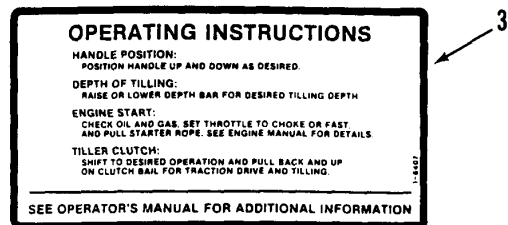
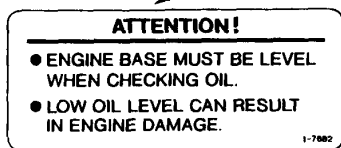
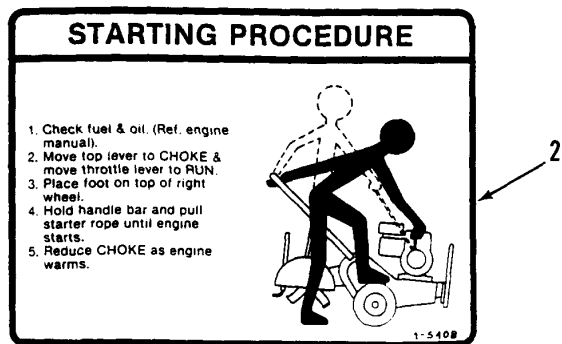
Footnotes:



Wheels, Tires, Rims

Item	Part No	Qty	Description	Note
1	7018579		ASSEMBLY, Right Wheel	<i>(Includes items 2 thru 4)</i>
2	7014511		TIRE, 13x5.00x6 (Lug)	
3	7014512		RIM	
4	7012234		VALVE, Air (Snap-in)	
5	7018580		ASSEMBLY, Left Wheel	<i>(Includes items 2 thru 4)</i>
6	7029841	2	PIN 5/16x1-11/16" Clevis	<i>Was 12407</i>
7	7091597	2	PIN, 3/32x3/4" Cotter	<i>Was 90037</i>

Footnotes:

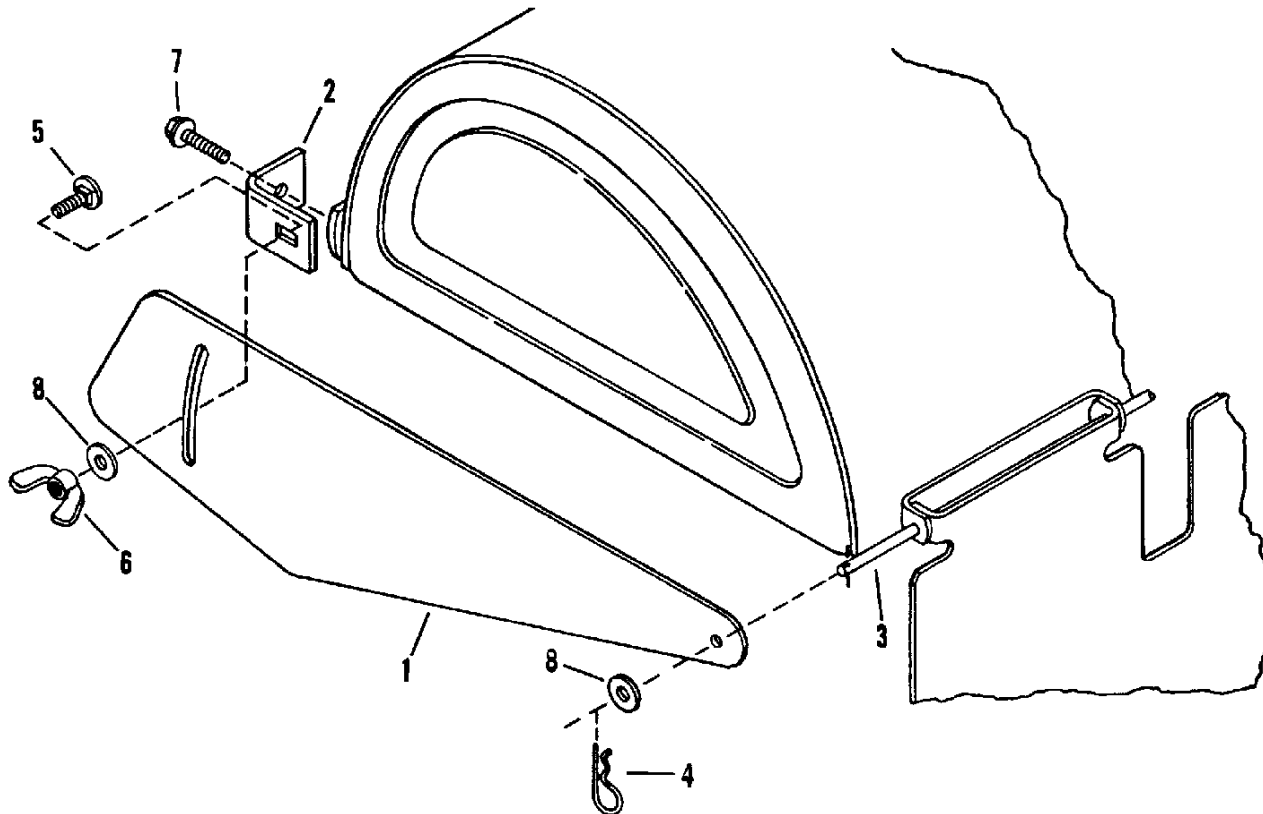


Decals

Item	Part No	Qty	Description	Note
1	7019295		DECAL, SNAPPER	Was 18593
2	7015408		DECAL, Starting	
3	7015407		DECAL, Operating	
4	7014425		DECAL, Safety	
5	7023043		DECAL, Caution	
6	7015684		DECAL, Warning	
7	7017682		DECAL, Engine Oil	
8	19276		DECAL, Control	(IRT 4HP Shown); (Series 2)
	18891		DECAL, Control	(IRT 4HP Not Shown); (Series 0 & 1)
	7022306		DECAL, Control	(IR 5002B 5HP Not Shown)

Footnotes:

#6-0865 CULTIVATOR SHIELD KIT

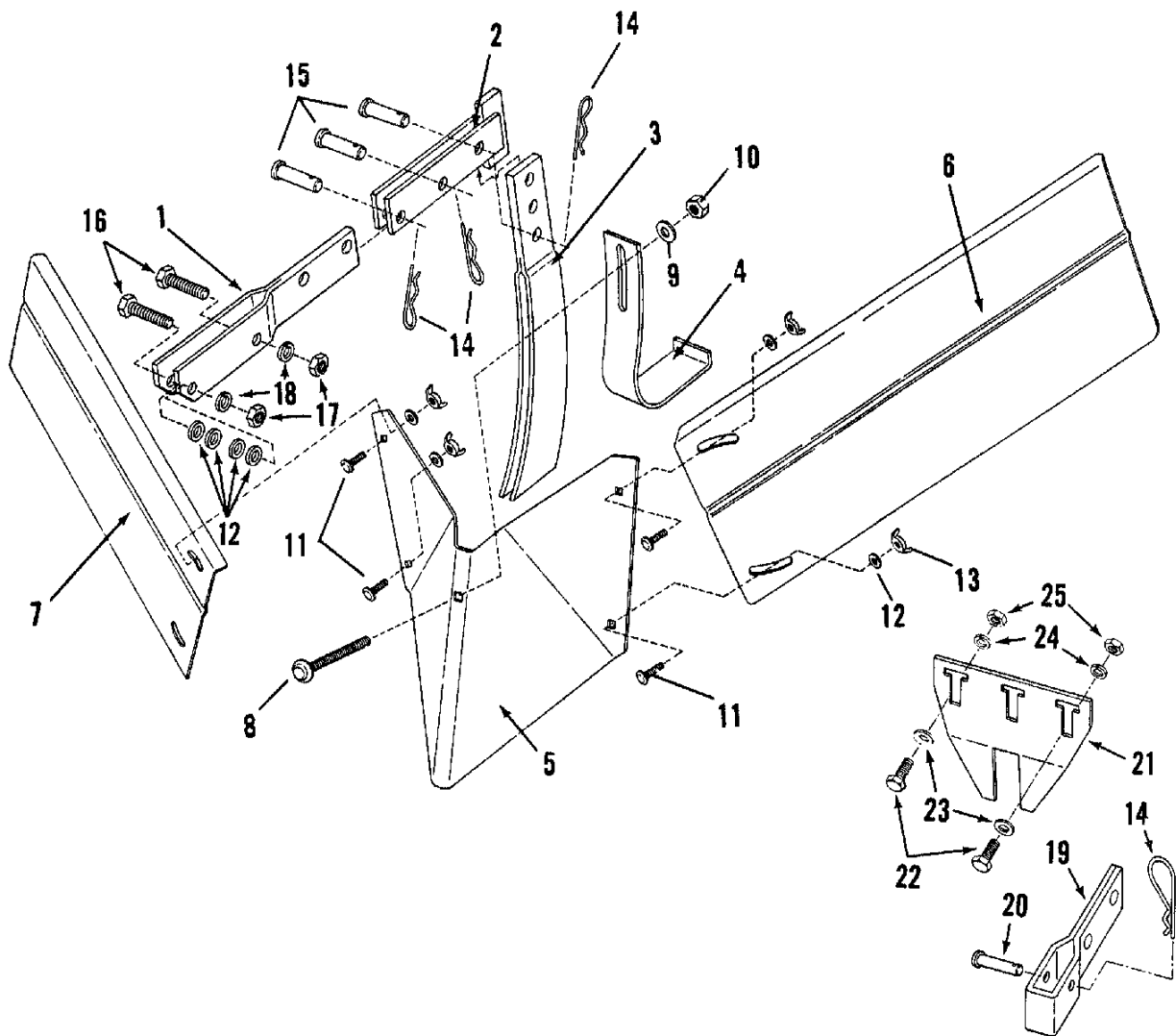


Accessory - Cultivator Shield Kit

Item	Part No	Qty	Description	Note
	7060865		KIT, Cultivator Shield	<i>(Includes items 1 thru 9)</i>
1	7036266	2	CULTIVATOR, Shield	
2	7032724	2	BRACKET, Front Latch	
3	7038397		PIN, Drag Shield	
4	7012431	2	PIN, 1/4" Hair	
5	7090803	2	BOLT, 1/4-20x5/8" Carriage	
6	7090997	2	NUT, 1/4-20 Wing	
7	7090911	2	SCREW, 1/4-20x1-1/4" Self-Tapping	
8	7091294	4	WASHER, 1/4 Flat	<i>Was 90055</i>
9	7091597	2	PIN, 3/32x3/4" Cotter (not shown)	<i>Was 90037</i>

Footnotes:

#6-0731 HILLER/FURROWER KIT



Accessory - Hiller-Furrower Kit

Item	Part No	Qty	Description	Note
	7060731		KIT, Hiller-Furrower	(Includes items 1 thru 26)
1	7047857		BRACKET, Clevis	
2	7047858		DRAW-BAR	
3	7047865		STANDARD	
4	7032430		SKID-SHOE	
5	7035072		HILLER-FURROWER	
6	7036135		WING, Left Side Hiller	
7	7036134		WING, Right Side Hiller	
8	7090779		BOLT, 1/2x3-1/2 Carriage	
9	7090705		WASHER, 1/2" Flat	
10	7091316		NUT, 1/2 Hex	Was 90258
11	7090316	4	BOLT, 5/16x 3/4 Carriage	
12	7090188	8	WASHER, 5/16 Flat	
13	7091537	4	WING-NUT, 5/16-18	Was 90492
14	7091596	3	PIN, 1/8 Hair	Was 13844
15	7013111	3	PIN, 1/2x1" Clevis	
16	7091540	2	BOLT, 5/16-18x1-1/2 Hex	Was 90211
17	7091511	2	NUT, 5/16-18 Hex	Was 90196
18	7090187	2	LOCKWASHER, 5/16	
19	7040527		BRACKET, Mounting	(Front Tine Tiller Only)
20	7013460		PIN, Clevis 3/8x1-1/2"	(Front Tine Tiller Only)
21	7038217		CLEVIS, Support	
22	7090134	2	SCREW, 3/8-16x3/4" Hex Head Cap	
23	7090122	8	WASHER, 3/8" Flat	
24	7090118	2	WASHER, 3/8 Split Lock	
25	7091302	6	NUT, 3/8-16 Hex	Was 90130
26	7014206		SPACER (not shown)	

Footnotes:

Parts Manual for

SNAPPER®

INTERMEDIATE REAR TINE TILLERS SERIES 0, 1 & 2

IT IS THE POLICY OF SNAPPER TO IMPROVE ITS PRODUCTS WHENEVER IT IS POSSIBLE AND PRACTICAL TO DO SO. WE RESERVE THE RIGHT TO MAKE CHANGES OR ADD IMPROVEMENTS AT ANY TIME WITHOUT INCURRING ANY OBLIGATION TO MAKE SUCH CHANGES ON PRODUCTS MANUFACTURED PREVIOUSLY.

SNAPPER® McDonough, GA, 30253 U.S.A.

Free Manuals Download Website

<http://myh66.com>

<http://usermanuals.us>

<http://www.somanuals.com>

<http://www.4manuals.cc>

<http://www.manual-lib.com>

<http://www.404manual.com>

<http://www.luxmanual.com>

<http://aubethermostatmanual.com>

Golf course search by state

<http://golfingnear.com>

Email search by domain

<http://emailbydomain.com>

Auto manuals search

<http://auto.somanuals.com>

TV manuals search

<http://tv.somanuals.com>