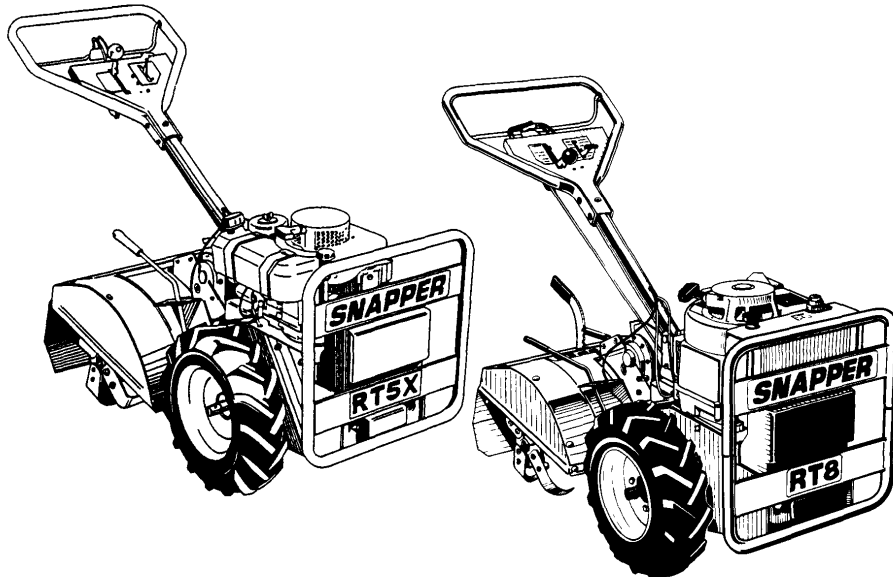


*Parts Manual for*

# **SNAPPER®**

## **LARGE FRAME REAR TINE TILLERS SERIES 2**



<b>MODEL</b>
<b>R5002B</b>
<b>R5002R</b>
<b>R8002B</b>
<b>R8002BE</b>
<b>RT5</b>
<b>RT5X</b>
<b>RT8</b>
<b>RT8S</b>

**SNAPPER** McDonough, GA, 30253 U.S.A.

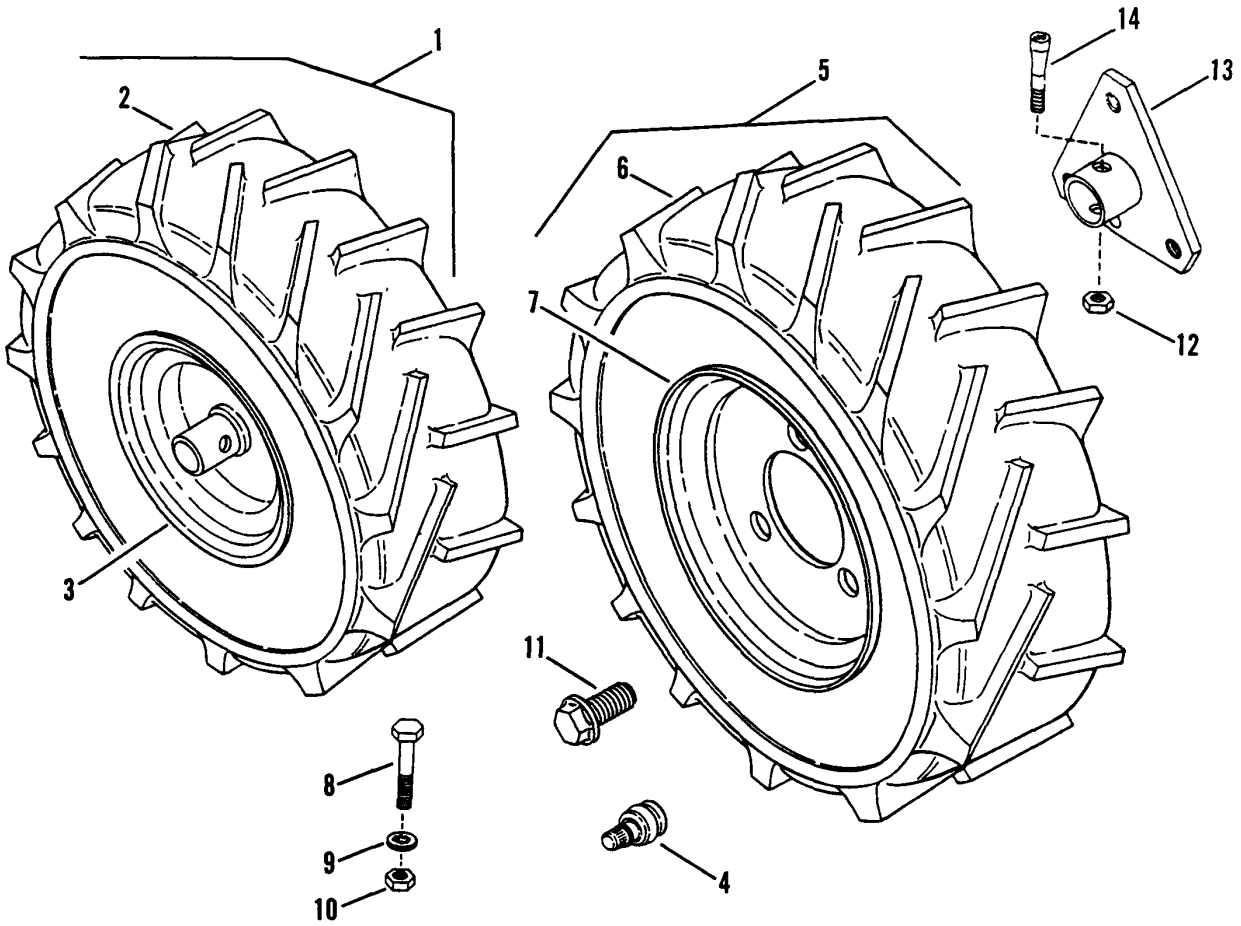
COPYRIGHT © 2006  
SNAPPER PRODUCTS, INC.  
ALL RIGHTS RESERVED.

*Revision 5, 6/20/2006*

Manual No. 7006033  
TP 400-5202-5-RT-N



<b>PAGE</b>	<b>GROUP</b>
4	Wheels, Tires, Rims
6	Handle & Controls
8	Handle & Controls 8 HP, RT5X
12	Engine & Drive Parts
14	Frame (5HP), Traction Drive
18	Frame (8HP), Traction Drive
22	Frame Components (Left Side) (5 HP)
24	Frame Components (Left Side) (RT5X & RT8)
26	Primary Chain Case
28	Shift Quadrant
30	Idler Bracket Assembly
32	Tiller Head
36	Main Chain Case
40	Tine Assembly
42	Electric Start Components
44	Decals
46	Garden Tool Kit (P/N 60559 Hauling Tray Kit)
48	Garden Tool Accessories (P/N 60730 Harrow Kit)
50	Garden Tool Accessories (P/N 60731 Hiller Furrower Kit)

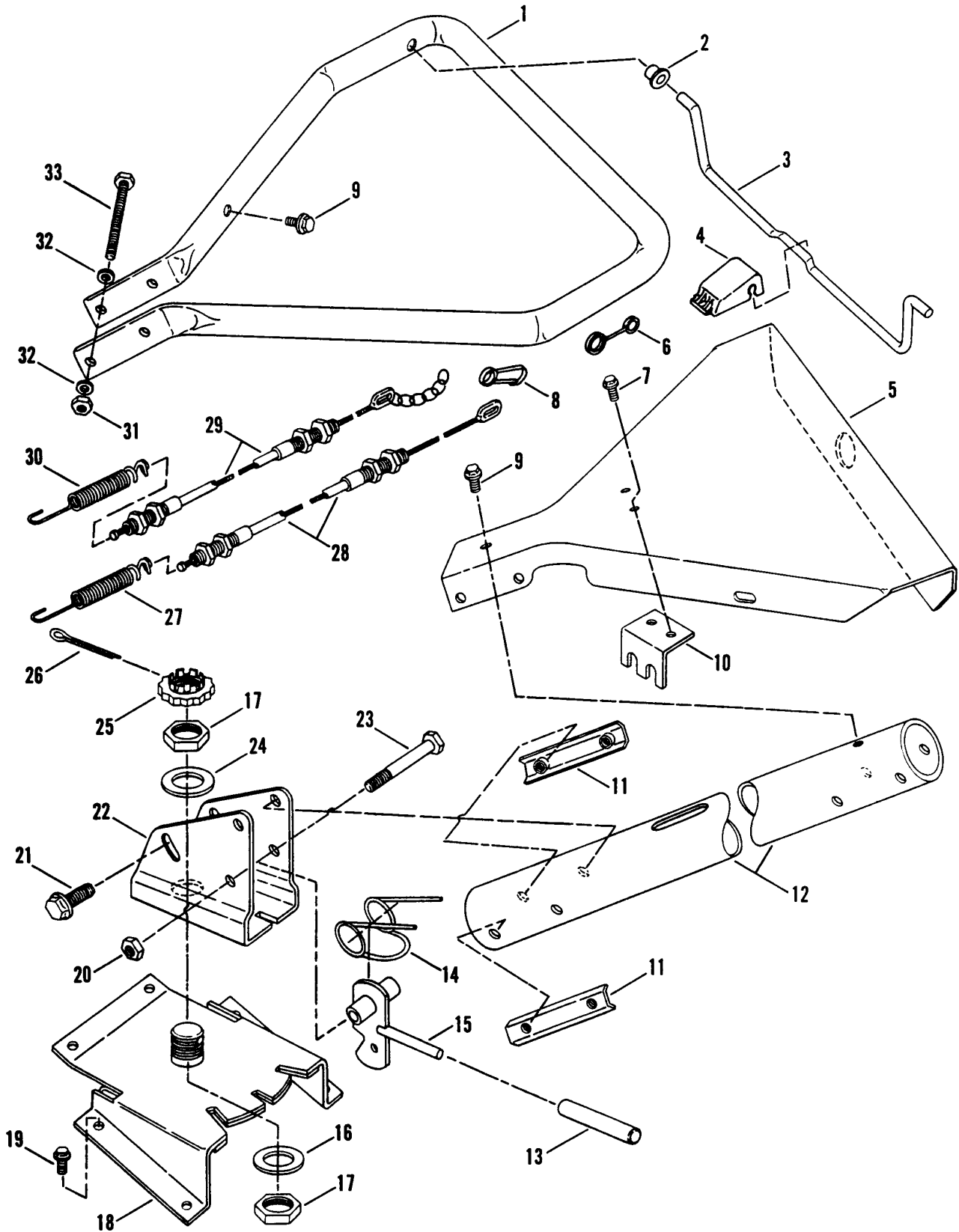


## **Wheels, Tires, Rims**

---

<b>Item</b>	<b>Part No</b>	<b>Qty</b>	<b>Description</b>	<b>Note</b>
1	7018579		ASSEMBLY, Right Wheel 13 x 5.00 - 6 (RT5)	<i>(Includes items 2, 3, &amp; 4)</i>
	7018580		ASSEMBLY, Left Wheel 13 x 5.00 - 6 (RT5)	<i>(Includes items 2, 3, &amp; 4)</i>
2	7014511		TIRE, 13 x 5.00 x 6 (Chevron Lug)	
3	7014512		RIM, 13 x 5 x 6	
4	7012234		VALVE, Air (Snap-In)	
5	7059646		ASSEMBLY, Left Wheel (8HP & RT5X)	<i>(Includes items 4, 6, &amp; 7)</i>
	7050730		ASSEMBLY, Right Wheel (8HP & RT5X)	<i>(Includes items 4, 6, &amp; 7)</i>
6			TIRE, 16 x 4.80 x 8 (Chevron Lug) (Not Available)	<i>Was 12256</i>
7	7017145		RIM, 4.80-4.00 x 8 (3 hole)	<i>Was 12162</i>
8	7090244	2	SCREW, 5/16-24 x 1 5/8" Hex Head Cap, Grade 5 (RT5)	<i>Was 90359</i>
9	7090391	2	WASHER, 5/16 Internal Tooth Lock (RT5)	
10	7091297	2	NUT, 5/16-24 Hex (RT5)	<i>Was 90223</i>
11	7091502	6	SCREW, 1/2-20 x 3/4" Hex Head Cap	<i>Was 90367 (8HP &amp; RT5X)</i>
12	7092062	6	NUT, 5/16-24 Hex Lock, GR C	<i>Was 11201 (8HP &amp; RT5X)</i>
13	7040434		HUB. Wheel Structure	<i>(8HP &amp; RT5X)</i>
14	7011035	2	BOLT, 5/16-24 x 1 5/8" Tapered	<i>(8HP &amp; RT5X)</i>

### **Footnotes:**

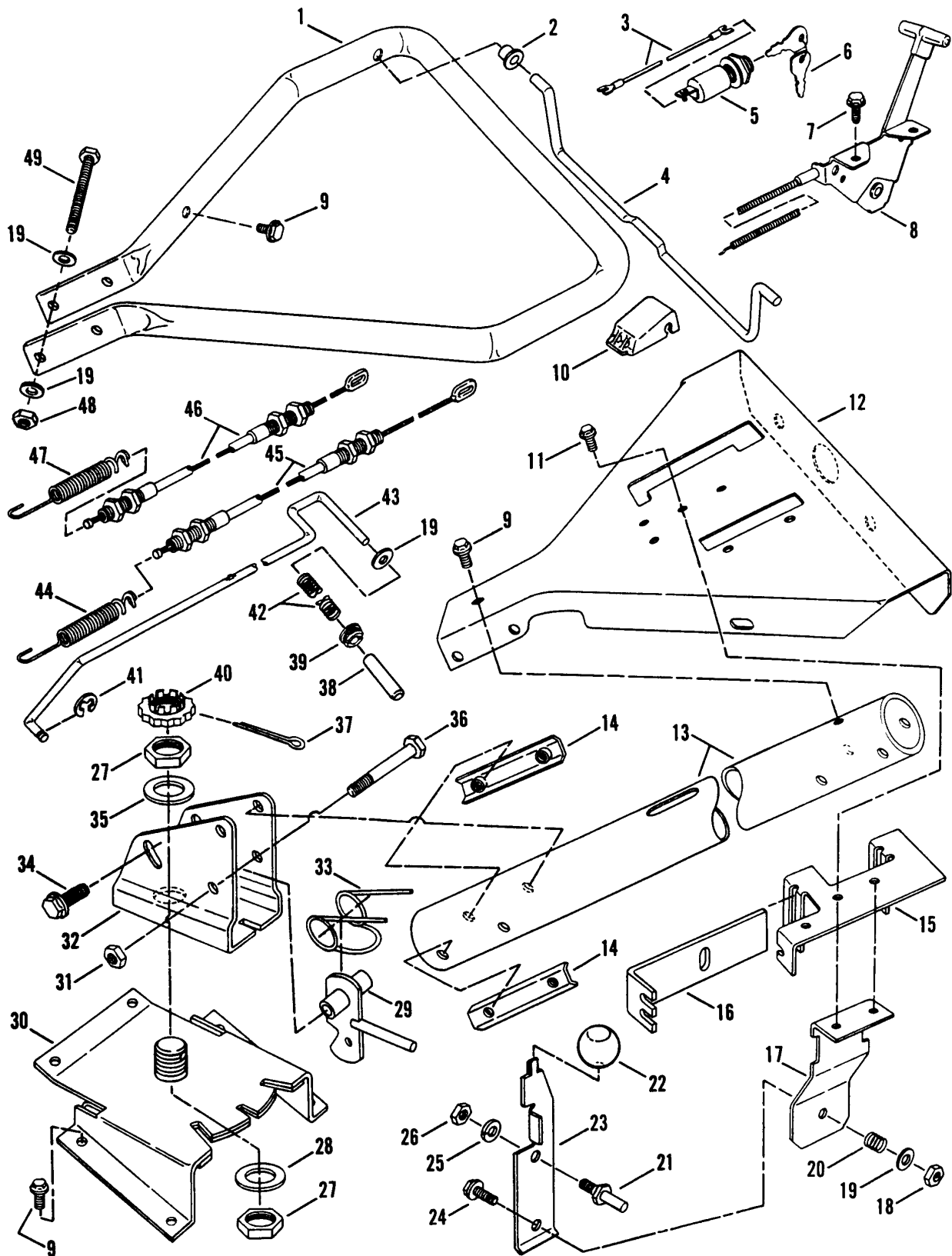


## Handle & Controls

Item	Part No	Qty	Description	Note
1	7035206		BAR, Handle	Was 35025
2	7014681	2	BUSHING	
3			BAIL (Not Available)	Was 18577
4	7014682		CLIP, Cable	
5	7036061		PANEL, 5 HP	
6			LINK, Wire 2.25" (Not Available)	Was 14719
7	7091122	2	SCREW, 1/4-20 x 1/2" Self-Tapping	Was 90539
8	7014720		CLIP-SNAP	
9	7090858	3	SCREW, 5/16-18 x 1/2" Self-Tapping	
10			BRACKET (Not Available)	Was 32284
11		2	PLATE, Tap (Not Available)	Was 51462
12			TUBE, Handle Bar Support (Not Available)	Was 38066
13	7022295		GRIP, Handle	Was 10681
14	7014380		SPRING	
15			LATCH (Not Available)	Was 40509
16	7010935		WASHER, Flat .77 x 1.13 x .06	
17	7090620	2	NUT, 3/4-16 Hex Lock	
18	7047854		BRACKET, Latch	
19	7090361	6	SCREW, 5/16-18 x 5/8" Self-Tapping	
20	7090289		NUT, 3/8-24 Hex Center Lock	
21	7091588	4	BOLT, 3/8-16 x 3/4" Hex Flange Lock	Was 90612
22	7036106		BRACKET, Handle	
23	7090169		SCREW, 3/8-24 x 2 1/2" Hex Head Cap	
24	7090864		WASHER, 13/16 Flat	
25	7014840		RETAINER, Nut Locking	
26	7091809		COTTER-PIN, 5/32 x 1 1/4"	Was 90654
27	7015251		SPRING, Traction Cable	
28	7018776		CABLE, Traction Control	
29	7057415		CABLE, Tine Control	(Includes items 6 & 8)
30	7015252		SPRING, Tine Cable	
31	7091575	2	NUT, 5/16-18 Hex Lock	Was 90184
32	7090188	4	WASHER, 5/16 Flat	
33	7091830	2	SCREW, 5/16-18 x 3" Hex Head Cap	Was 90553

### Footnotes:

\* NOTE: This part may be available from DPNI 1-800-558-1848 (Todd Graff)



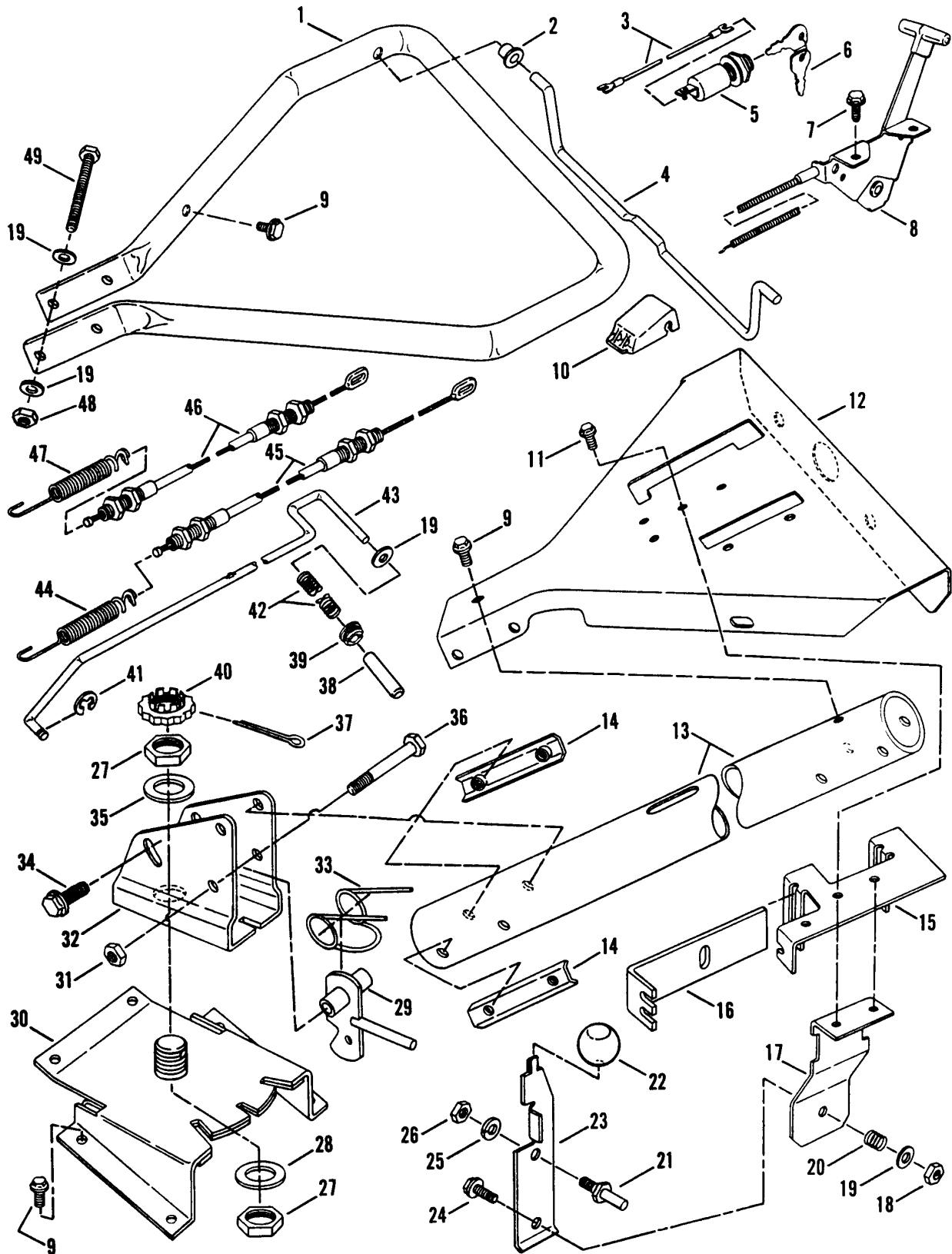


## Handle & Controls 8 HP, RT5X

Item	Part No	Qty	Description	Note
1	7035206		BAR, Handle	Was 35025
2	7014681	2	BUSHING	
3			* WIRE, Ground 40" (RT8 Manual Start) (Not Available)	Was 14384
4			BAIL (Not Available)	Was 18577
5	7011853		SWITCH, Ignition (RT8 Manual Start)	Was 15211 (See "Electric Start Components" Illustration & Parts List)
6	7011138		KEY, Switch	
7	7091084	2	SCREW, 1/4-20 x 3/8" Self-Tapping	Was 90302
8	7014368		CONTROL, Throttle (8HP)	
	7015480		CONTROL, Throttle (RT5X)	
9	7090858	9	SCREW, 5/16-18 x 1/2" Self-Tapping	
10	7014682		CLIP, Cable	
11	7091122	3	SCREW, 1/4-20 x 1/2" Self-Tapping	Was 90539
12	7036062		PANEL (8HP)	
	7036062		PANEL (RT5X)	Was 36176
13			TUBE, Handle Bar Support (Not Available)	Was 38066
14		2	PLATE, Tap Nut (Not Available)	Was 51462
15	7032292		BRACKET, Cable	
16	7032291		SLIDE	
17			* BRACKET (Not Available)	Was 32290
18	7090222		NUT, 5/16-24 Hex Center-Lock	
19	7090188	6	WASHER, 5/16 Flat	
20	7010023		SPRING	
21	7013872		STUD, Shift	Was 14415
22	7012659		KNOB, 1.62" DIA 3/8-16	
23	7040503		HANDLE, Clutch	
24	7090240		SCREW, 5/16-24 x 1 1/4" Hex Head Cap (Grade 2)	
25	7090187		WASHER, 5/16 Split Lock	
26	7091511		NUT, 5/16-18 Hex	Was 90196
27	7090820	2	NUT, 3/4-16 Hex Lock	
28	7010935		WASHER, 3/4 Flat	
29			LATCH (Not Available)	Was 40509
30	7047854		BRACKET, Latch	
31	7090289		NUT, 3/8-24 Hex Center-Lock	
32	7036106		BRACKET, Handle	
33	7014380		SPRING	
34	7091588	4	BOLT, 3/8-16 x 3/4" Hex Flange Lock	Was 90612
35	7090864		WASHER, 13/16 Flat	

### Footnotes:

\* NOTE: This part may be available from DPNI 1-800-558-1848 (Todd Graff)



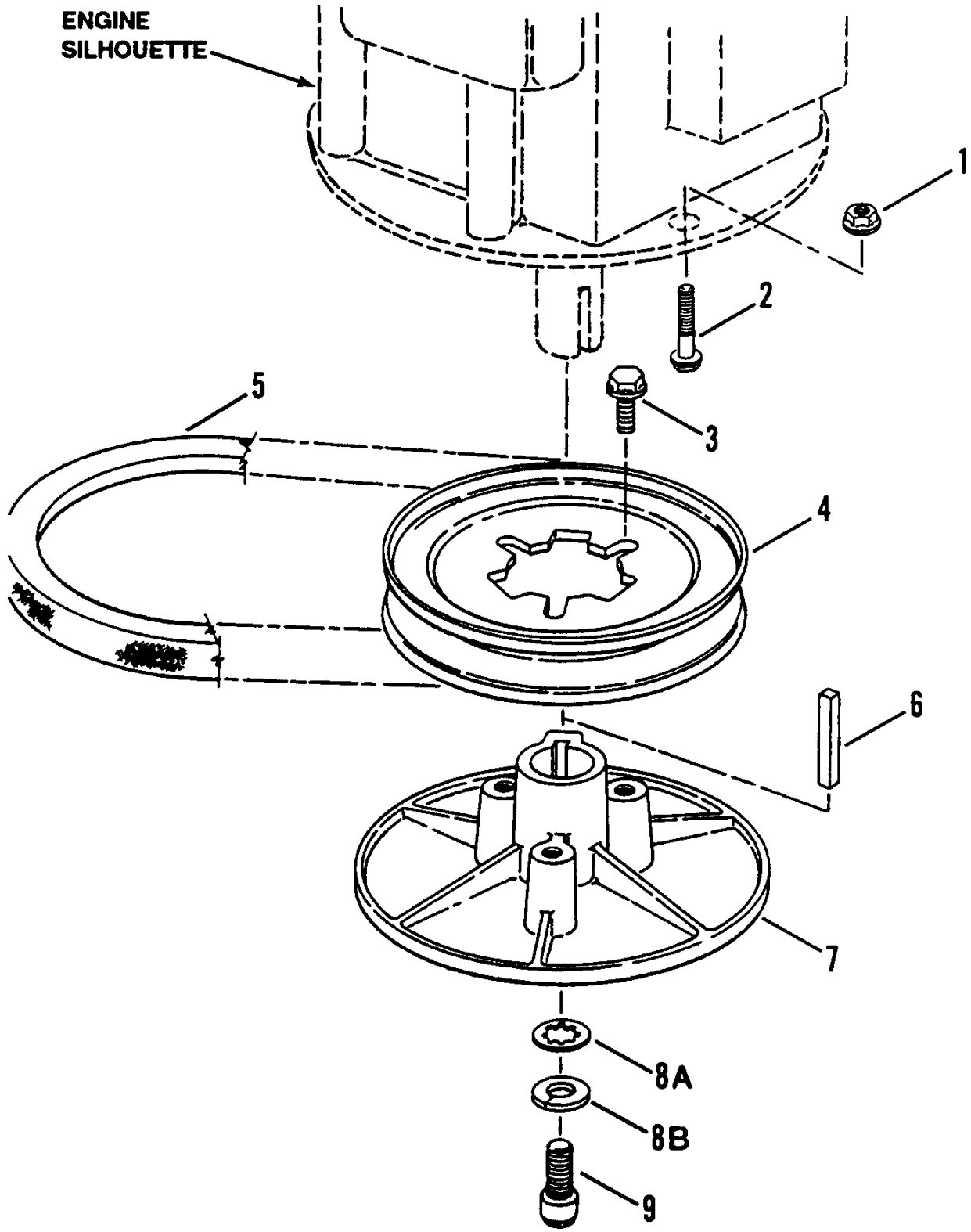
## **Handle & Controls 8 HP, RT5X**

---

<b>Item</b>	<b>Part No</b>	<b>Qty</b>	<b>Description</b>	<b>Note</b>
36	7090169		SCREW, 3/8-24 x 2 1/2" Hex Head Cap	
37	7091809		COTTER-PIN, 5/32 x 1 1/4"	<i>Was 90654</i>
38	7023801		GRIP, Handle Release (8HP)	<i>Was 11879</i>
39	7012117		BUSHING, 3/8" (8HP)	
40	7014840		RETAINER, Nut Locking	
41	7014390		E-RING 1/4 ID (8HP)	
42	7014455		SPRING (8HP)	
43	7018582		ROD, Handle Release (8HP)	
44	7015251		SPRING, Traction Cable	
45	7018776		CABLE, Traction Control	
46	7018777		CABLE, Tine Control	
47	7015252		SPRING, Tine Cable	
48	7091575	2	NUT, 5/16-18 Hex Lock	<i>Was 90184</i>
49	7091830	2	SCREW, 5/16-18 x 3" Hex Head Cap	<i>Was 90553</i>

### **Footnotes:**

\* NOTE: This part may be available from DPNI 1-800-558-1848 (Todd Graff)



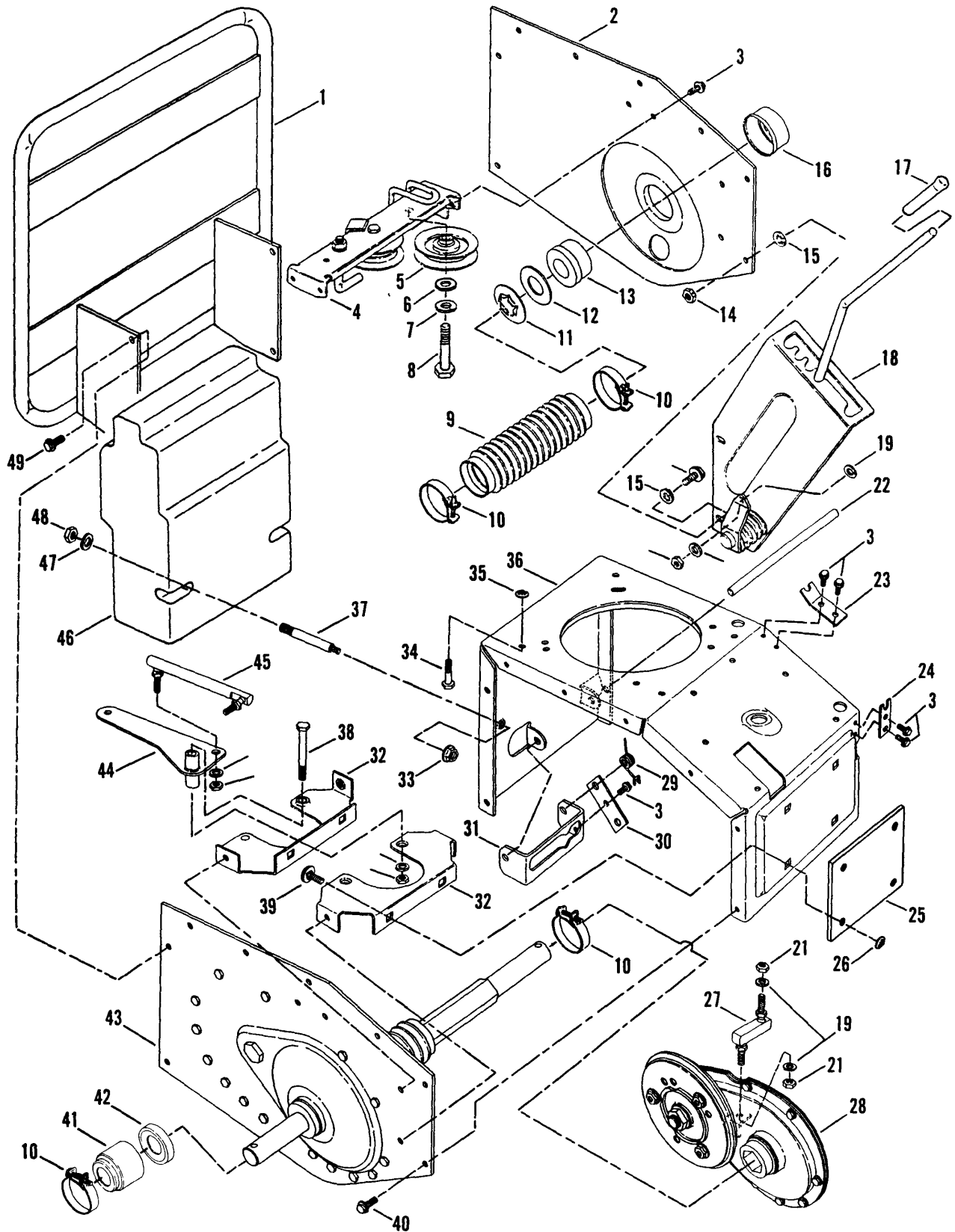
## Engine & Drive Parts

Item	Part No	Qty	Description	Note
			* ENGINE, 5 HP B&S Manual Start, Model #130902-1151-0	<i>Not shown</i>
			* ENGINE, 5 HP Wisconsin Robin Manual Start, Model #WI-1854-800427	<i>Not shown</i>
			* ENGINE, 8 HP B&S Manual Start, Model #190707-2170-01	<i>Not shown</i>
			* ENGINE, 8 HP B&S Electric Start, Model #190702-2136-01	<i>Not shown</i>
1	7091601	5	NUT, 5/16-18 Hex Flange Lock	<i>Was 90585</i>
2	7090700	4	BOLT, 5/16-18 x 1 1/2" Hex Flange Lock, Engine Mounting	<i>(8HP &amp; 5HP)</i>
3	7091819	3	SCREW, 1/4-20 x 5/8" Self-Tapping	<i>Was 90362</i>
4	7014738	1	PULLEY, Drive	
5	7014353	1	V-BELT (8 HP) 4L x 62.38" EL Kevlar	
	7014686	1	V-BELT (5 HP) 4L x 62.0" EL Kevlar	
6	7010210	1	KEY, 1/4 x 2" (RT5 & 8HP)	
	7010783	1	KEY, Hi-Pro #505 (RT5X)	
7	7018566	1	PLATE, Drive (RT5 & 8HP)	
	7018830	1	PLATE, Drive (RT5X)	
8A	7090390	1	WASHER, 3/8 Internal Tooth Lock (5HP)	
8B	7091301	1	WASHER, 7/18 Split Lock (8HP)	<i>Was 90247</i>
9	7090835	1	SCREW, 3/8-24 x 1" Allen-Head Cap (5HP)	
	7090836	1	SCREW, 7/16-20 x 1" Allen-Head Cap (8HP)	

### Footnotes:

Note\* Purchase engine parts from engine manufacturer dealer.

Frame (5HP), Traction Drive



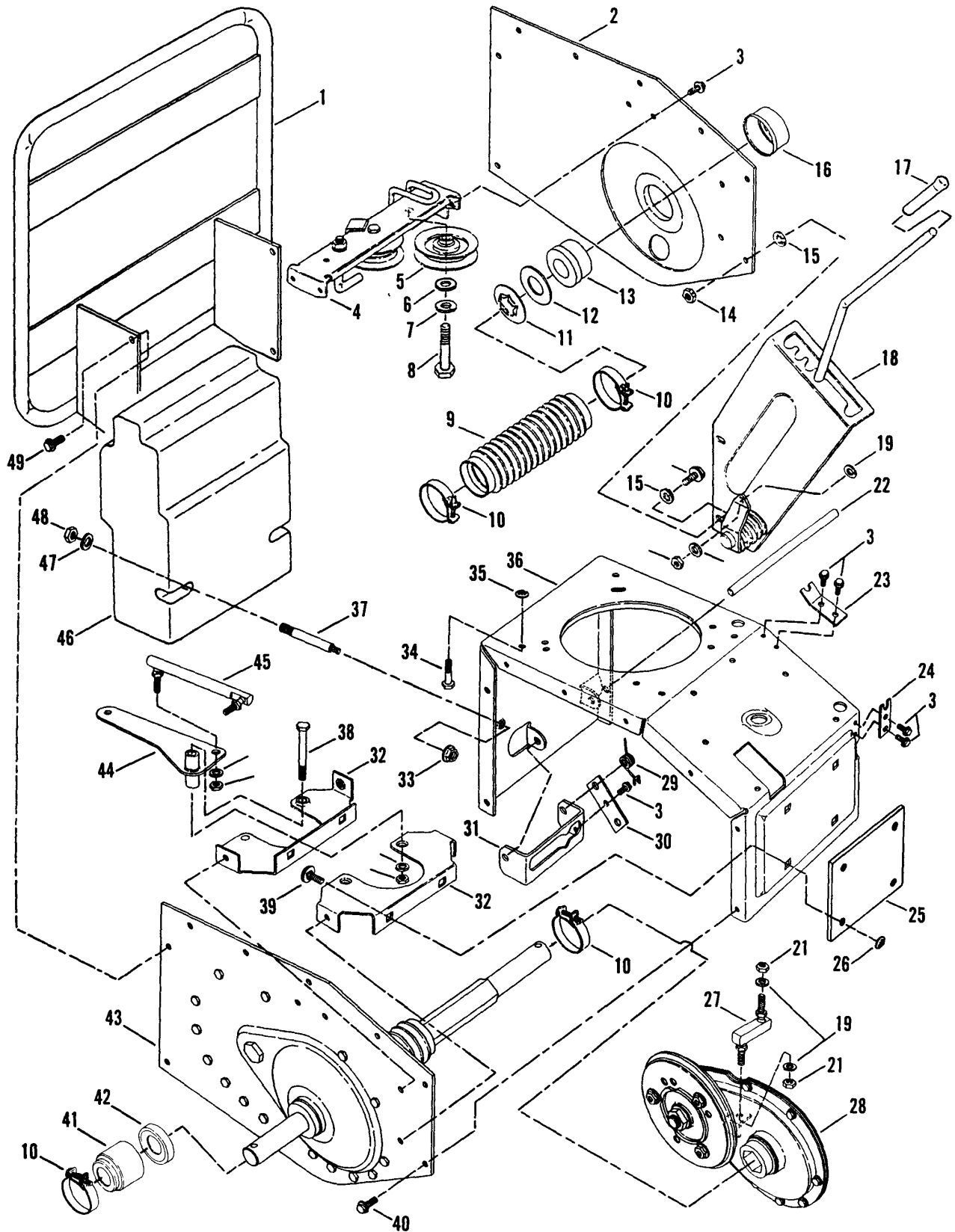
## Frame (5HP), Traction Drive

Item	Part No	Qty	Description	Note
1	7049751		BAR, Stand-Up	Was 49705
2	7035020		FRAME, Right Side	
3	7091084	9	SCREW, 1/4-20 x 3/8" Self-Tapping	Was 90302
4			ASSEMBLY, Idler Bracket	(See "Idler Bracket Assembly" Group)
5	7014208		PULLEY, V-Idler 2.62" OD	
6	7090122		WASHER, 3/8" Flat	
7	7090118		WASHER, 3/8 Split Lock	
8	7091497		SCREW, 3/8-16 x 1 1/2" Hex Head Cap	Was 90655
9	7075115		SEAL, Long	Was 18570
10	7011037	4	CLAMP, 1-7/8"	
11	7014673		WASHER, Thrust	
12	7011071	2	WASHER, Thrust (Nylon)	
13	7010989		BEARING, Axle	Was 70295
14	7091575	2	NUT, 5/16-18 Hex Lock	Was 90184
15	7090189	4	WASHER, 5/16 Internal/External Tooth Lock	
16	7014658		CAP, Seal L.H. 3/4"	Was 10967
17	7010838		GRIP	
18			ASSEMBLY, Shift Quadrant	(See "Shift Quadrant" Group)
19	7090187	6	WASHER, 5/16 Split Lock	
20	7091841	2	SCREW, 5/16-18 x 1" Self-Tapping	Was 90369
21	7091297	5	NUT, 5/16-24 Hex	Was 90223
22			ROD (Not Available)	Was 21873
23			* CLIP, Cable (Not Available)	Was 32274
24			* CLIP, Control (Not Available)	Was 32273
25			* SPACER, Tiller Head (Not Available)	Was 32428
26	7013847	4	RETAINER, Bolt 3/8"	
27	7014337		LINK, Short Shift	
28	7051379		ASSEMBLY, Primary Chain Case	(See "Primary Chain Case" Illustration & Parts List)
29			* SPRING (Not Available)	Was 14371
30			* LEVER (Not Available)	Was 32261
31	7038050		YOKE, Clutch	
32	7038212		BRACE	
33	7091601	2	NUT, 5/16-18 Hex Flange Lock	Was 90585
34	7091609	5	SCREW, 5/16-18 x 1 1/2" Hex Flange Lock	Was 90242
35	7011791	5	RETAINER, Bolt 5/16"	
36	7035102		FRAME	
37	7014979	2	STUD, Weight	

### Footnotes:

\* NOTE: This part may be available from DPNI 1-800-558-1848 (Todd Graff)

Frame (5HP), Traction Drive





## Frame (5HP), Traction Drive

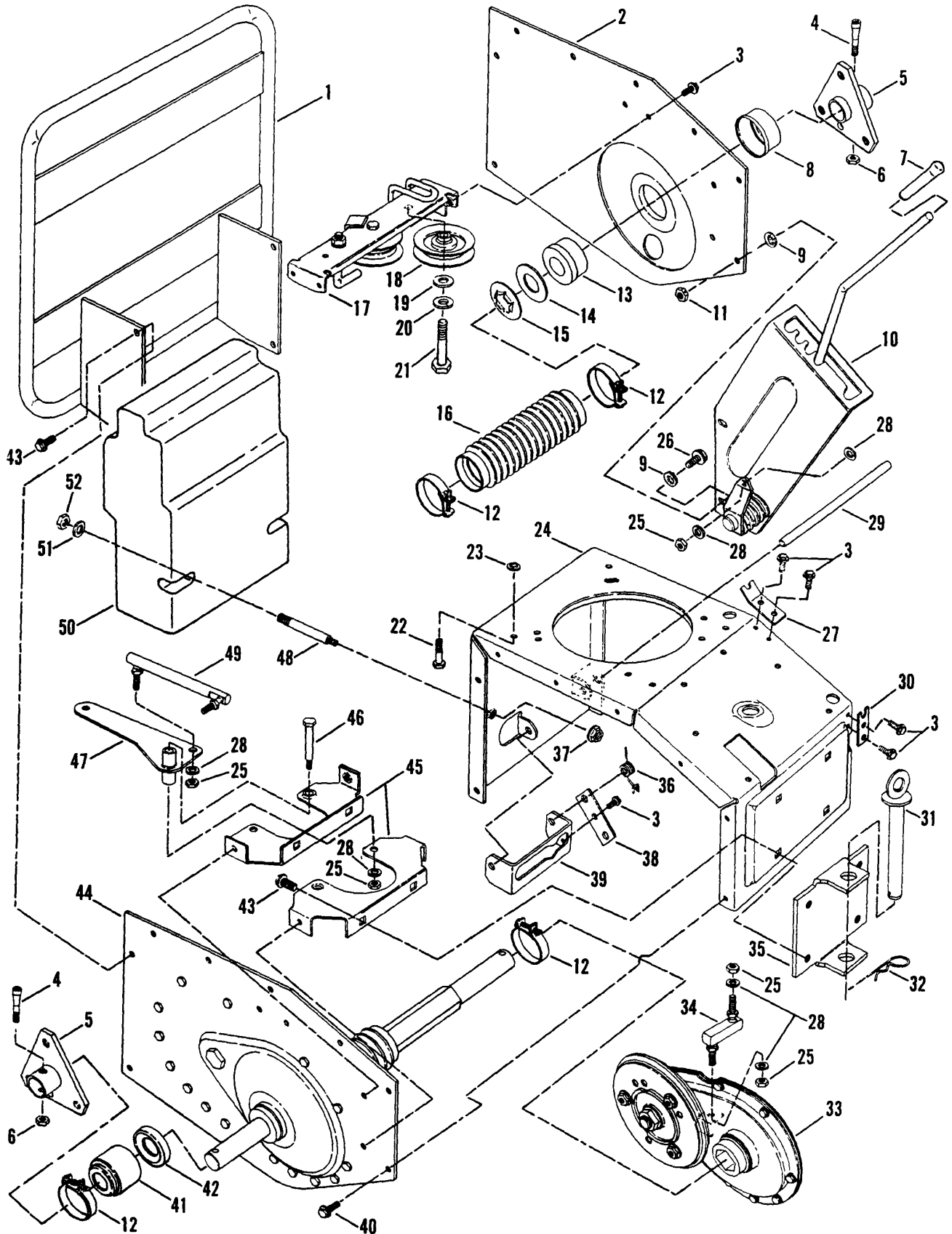
---

Item	Part No	Qty	Description	Note
38	7015159		BOLT, 5/16-24 x 3" Shoulder	
39	7091640	4	BOLT, 3/8-16 x 1" Carriage	Was 90747
40	7090858	16	SCREW, 5/16-18 x 1/2" Self-Tapping	
41	7015238		BOOT	
42	7014662		SEAL, Oil	
43	7051377		ASSEMBLY, Left Frame Drive (RT5)	(See "Frame Components (Left Side)" Group)
			* ASSEMBLY, Left Frame Drive (RT8 & 5X)(Not Available)	Was 59670 (See "Frame Components (Left Side)" Group)
44	7040517		BELLCRANK, Shift	
45	7023676		LINK, Shift 4.5"	Was 14346 4.687" Not Available
46			WEIGHT (Not Available)	Was 19739 (Approximately 60 pounds)
47	7090500		WASHER, 7/16 Flat	
48	7090839	2	NUT, 7/16-14 Hex Lock	
49	7090324	4	SCREW, 3/8-16 x 1" Self-Tapping	

### Footnotes:

\* NOTE: This part may be available from DPNI 1-800-558-1848 (Todd Graff)

Frame (8HP), Traction Drive



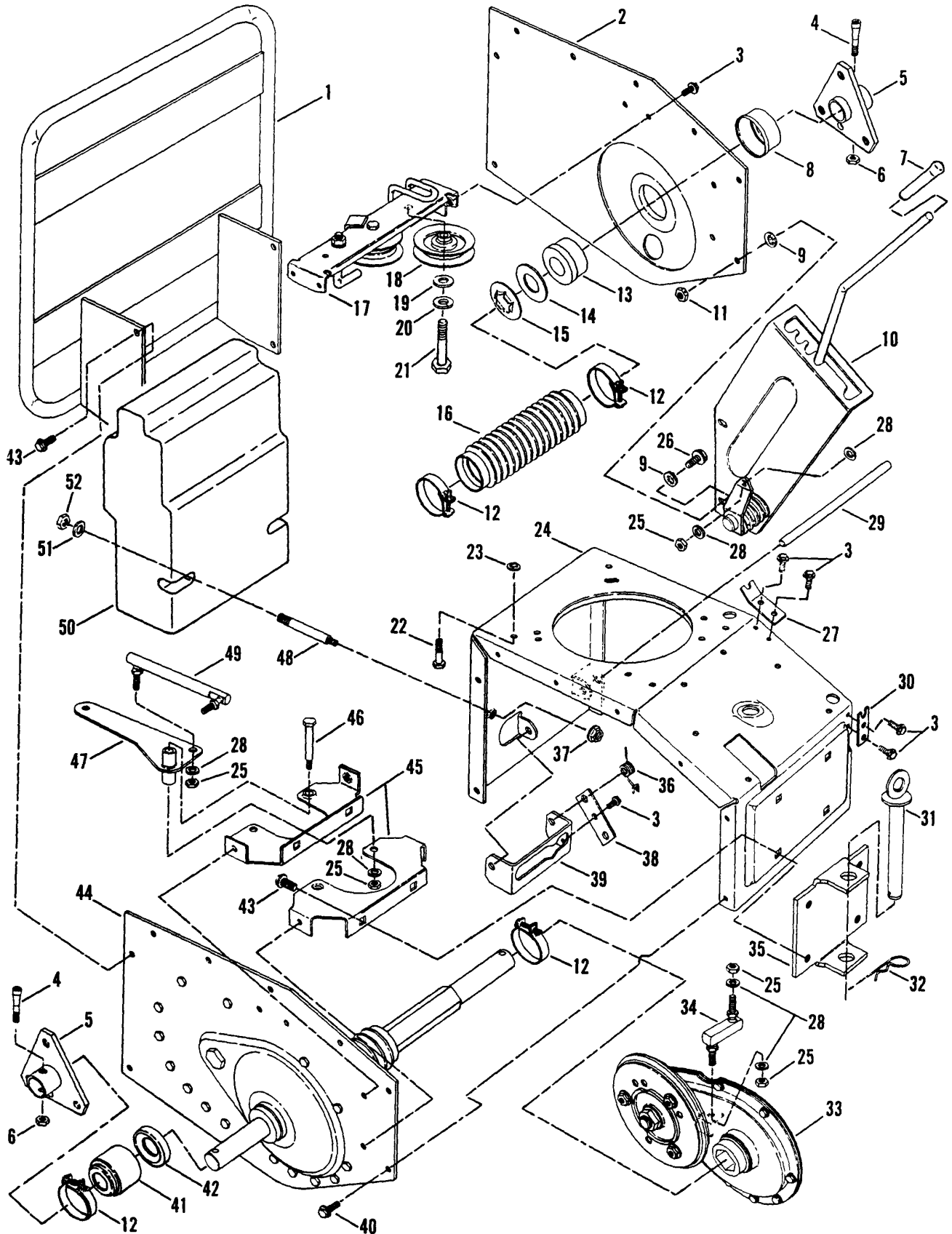
## Frame (8HP), Traction Drive

Item	Part No	Qty	Description	Note
1	7049751		BAR, Stand-Up	Was 49705
2	7035020		FRAME, Right Side	
3	7091084	9	SCREW, 1/4-20 x 3/8" Self-Tapping	Was 90302
4	7011035	2	BOLT, 5/16-24 x 1 5/8" Tapered	
5	7040434	2	HUB, Wheel	
6	7092062	2	NUT, 5/16-24 Special Hex Lock	Was 11201
7	7010838		GRIP	
8	7014658		CAP, Seal L.H. 3/4"	Was 10967 (Now 14658 + 14662 + 12332)
9	7090189	4	WASHER, 5/16 Internal/External Tooth Lock	
10			ASSEMBLY, Shift Quadrant	(See "Shift Quadrant" Group)
11	7091575		NUT, 5/16-18 Hex Lock	Was 90184
12	7011037	4	CLAMP, 1-7/8"	
13	7010989		BEARING, Axle	Was 70295
14	7011071		WASHER, Thrust (Nylon)	
15	7014673		WASHER, Thrust	
16	7075115		SEAL, Long	Was 18570
17			ASSEMBLY, Idler Bracket	(See "Idler Bracket Assembly" Group)
18	7014208		PULLEY, V-Idler 2.62" OD	
19	7090122		WASHER, 3/8" Flat	
20	7090118		WASHER, 3/8 Split Lock	
21	7091497		SCREW, 3/8-16 x 1 1/2" Hex Head Cap	Was 90655
22	7090700	4	BOLT, 5/16-18 x 1 1/2" Hex Head Cap (Engine Mounting)	
23	7011791		RETAINER, Bolt 5/16"	
24	7035102		FRAME	
25	7091297	5	NUT, 5/16-24 Hex	Was 90223
26	7091841	2	SCREW, 5/16-18 x 1" Self-Tapping	Was 90369
27			* CLIP, Cable (Not Available)	Was 32274
28	7090187	6	WASHER, 5/16 Split Lock	
29	21873		ROD (Not Available)	Was 21873
30	32273		* CLIP, Control (Not Available)	Was 32273
31	7040490		CLEVIS PIN, 3/4 X 6-1/16, ZP (Hitch)	
32	7011714		PIN, Hair	
33	7051379		ASSEMBLY, Primary Chain Case	(See "Primary Chain Case" Illustration & Parts List)
34	7014337		LINK, Short Shift	
35	7038065		CLEVIS	
36			* SPRING (Not Available)	Was 14371

### Footnotes:

\* NOTE: This part may be available from DPNI 1-800-558-1848 (Todd Graff)

Frame (8HP), Traction Drive



## Frame (8HP), Traction Drive

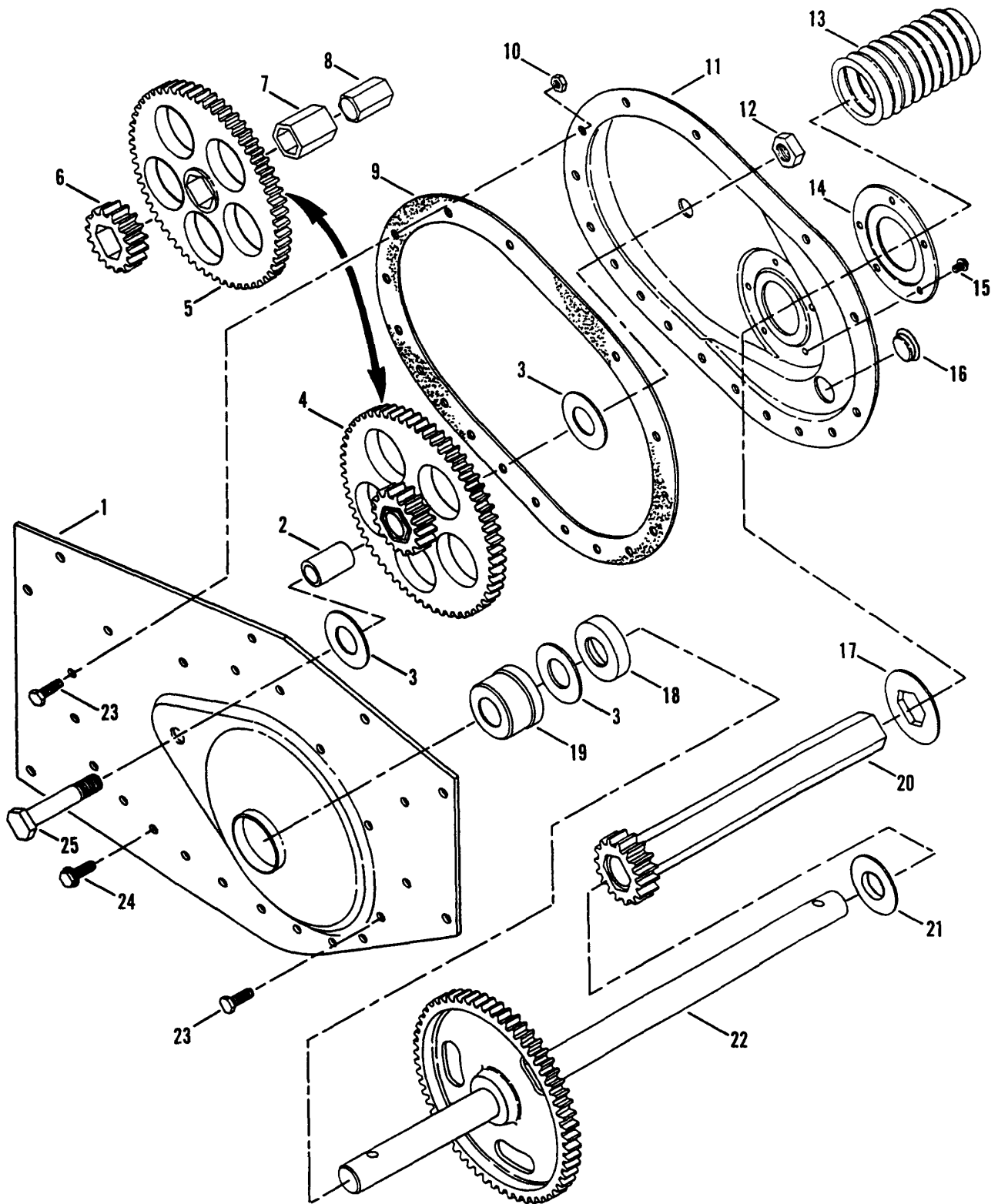
---

Item	Part No	Qty	Description	Note
37	7091601		NUT, 5/16-18 Hex Flange Lock	Was 90585
38	32261		* LEVER (Not Available)	Was 32261
39	7038050		YOKE, Clutch	
40	7090858	16	SCREW, 5/16-18 x 1/2" Self-Tapping	
41	7015238		BOOT	
42	7014662		SEAL, Oil	
43	7090324	8	SCREW, 3/8-16 x 1" Self-Tapping	
44			* ASSEMBLY, Left Frame Drive (RT8 & 5X)(Not Available)	Was 59670 (See "Frame Components (Left Side)" Group)
45	7038212	2	BRACE	
46	7015159		BOLT, 5/16-24 x 3" Shoulder	
47	7040517		BELLCRANK, Shift	
48	7014979	2	STUD, Weight	
49	7023676		LINK, Shift 4.5"	Was 14346 4.687" Not Available
50			WEIGHT (Not Available)	Was 19739 (Approximately 60 pounds)
51	7090500	2	WASHER, 7/16 Flat	
52	7090839	2	NUT, 7/16-14 Hex Lock	

### Footnotes:

\* NOTE: This part may be available from DPNI 1-800-558-1848 (Todd Graff)

**Frame Components (Left Side) (5 HP)**



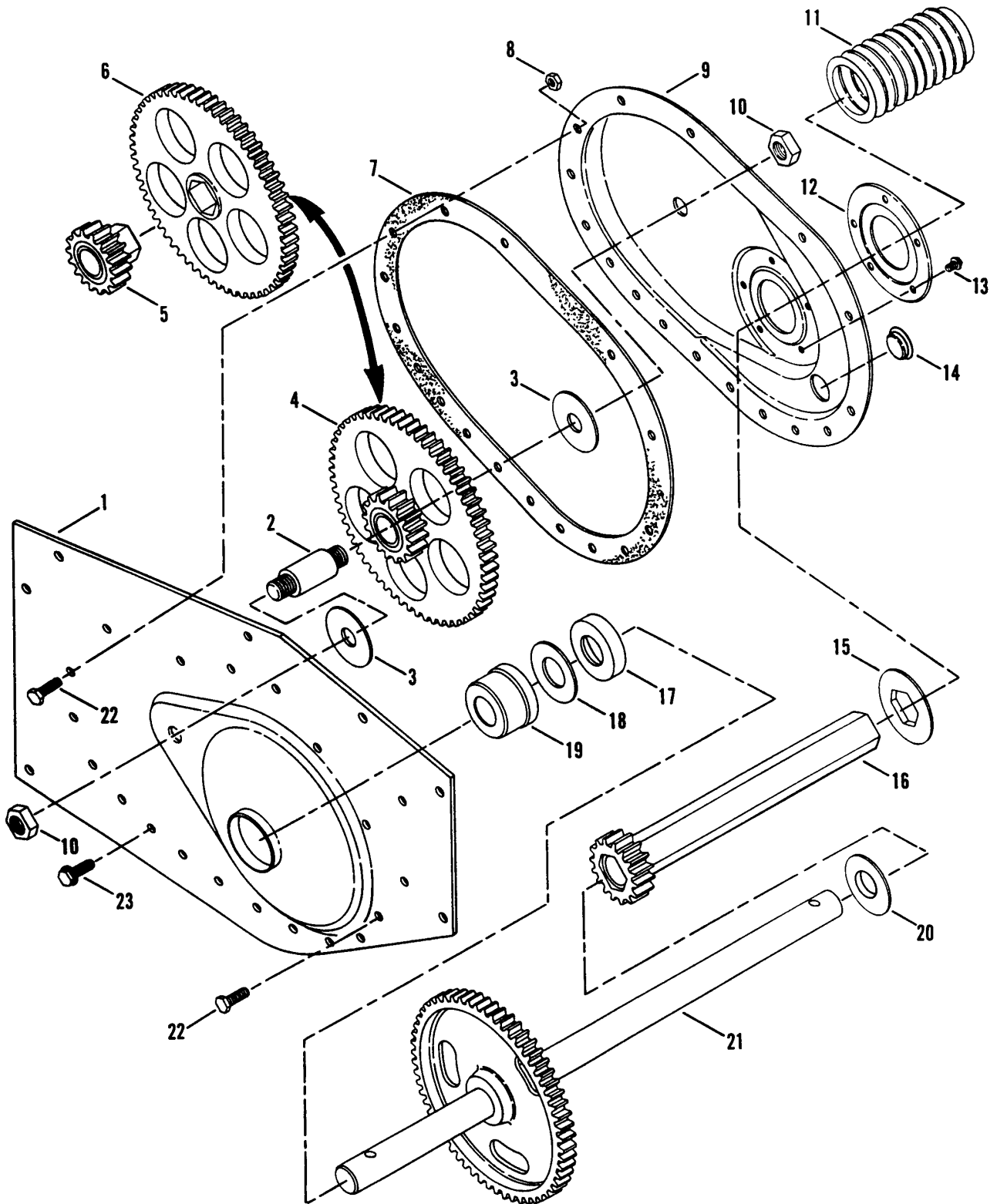
## Frame Components (Left Side) (5 HP)

Item	Part No	Qty	Description	Note
	7051377	1	* ASSEMBLY, Drive (5 HP Units)	
1	7035021	1	FRAME, Left Side	
2	7021870	1	SHAFT	
3	7011071	3	WASHER, Thrust	
4	7051378	1	ASSEMBLY, Cluster Gear	(Includes items 5, 6, 7, & 8)
5	7018564	1	GEAR, 63 Tooth	
6	7021868	1	GEAR, 16 Tooth	
7	7021872	1	TUBE, Hex	
8	7014369	1	BEARING, Hex	
9	7018563	1	GASKET (Not Available)	Was 18563
10	7090303	2	NUT, 1/4-28 Hex Top-Lock	
11	7036038	1	COVER	
12	7090819	1	NUT, 1/2-20 Hex Center-Lock	
13	7075115	1	SEAL, Short	Was 18569
14		1	RETAINER, Boot (Not Available)	Was 32260
15	7090822	5	SCREW, #10-32 x 1/4" Self-Tapping	
16	7011024	1	PLUG	
17	7010988	1	WASHER, Plastic	
18	7014331	1	SPACER	
19	7014330	1	BEARING, Axle	
20	7051365	1	ASSEMBLY, Tube Drive	
21	7014673	1	WASHER, Thrust	
22	7047852	1	STRUCTURE, Axle	
23	7090099	2	SCREW, 1/4-28 x 1/2" Hex Head Cap, Grade 5	
24	7091122	14	SCREW, 1/4-20 x 1/2" Self-Tapping	Was 90539
25		1	SCREW, 1/2-20 x 1 7/8" Hex Head Cap (Not Available)	Was 90821

### Footnotes:

\* NOTE: Drive assembly will fit RT5X and 8 HP units but has faster shaft output.

**Frame Components (Left Side) (RT5X & RT8)**





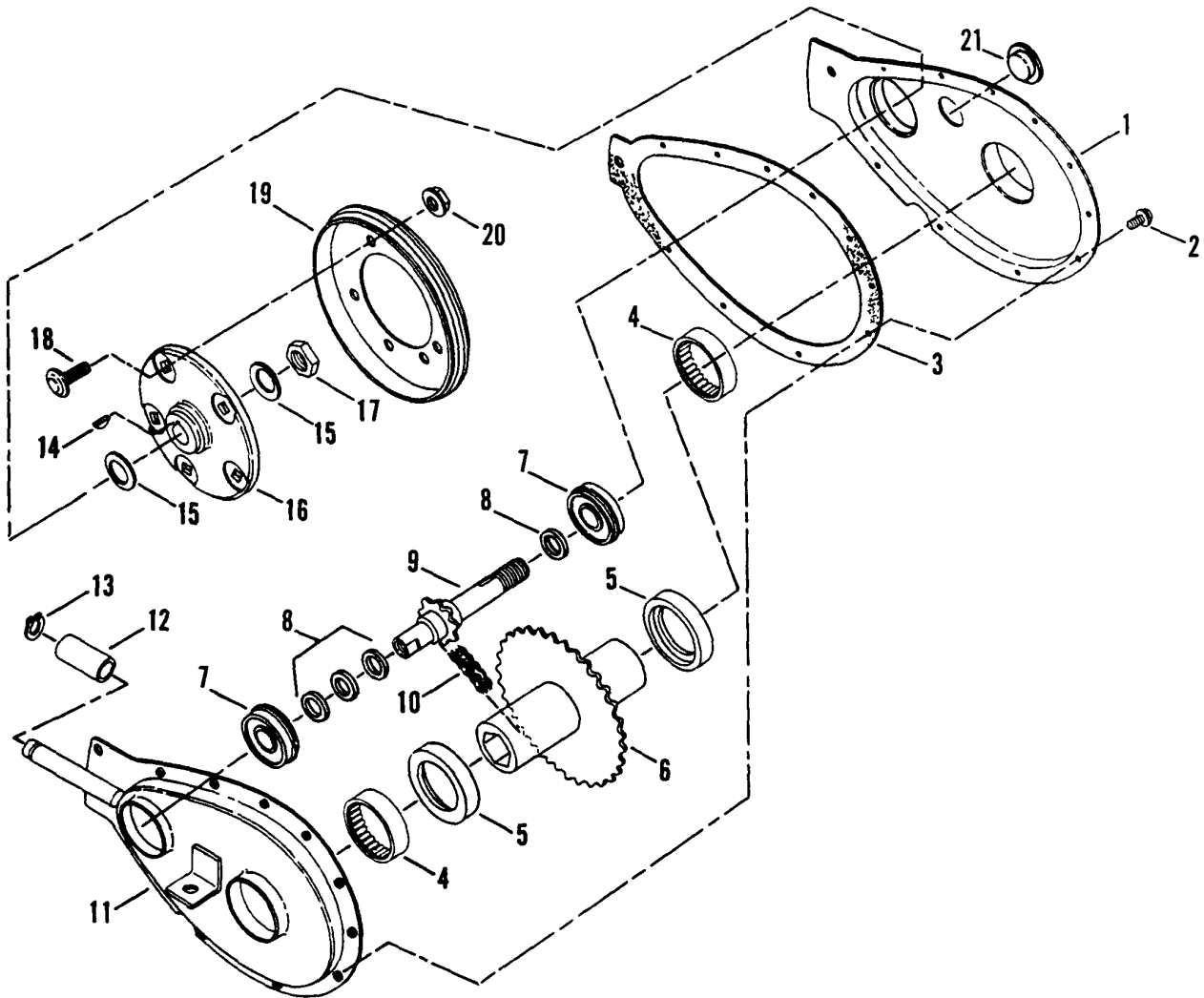
## Frame Components (Left Side) (RT5X & RT8)

Item	Part No	Qty	Description	Note
		1	* ASSEMBLY, Drive (RT5X & 8 HP Units) (Not Available)	Was 59670
1	7035021	1	FRAME, Left Side	
2	7022000	1	SHAFT, Hex Gear	
3	7090949	2	WASHER, Thrust	
4	7057400	1	ASSEMBLY, Gear Cluster	(Includes items 5 & 6)
5	7057400	1	ASSEMBLY, Hex Gear (15 Tooth)	Was 51649
6	7018761	1	GEAR (64 Tooth)	
7	7018563	1	GASKET	
8	7090303	2	NUT, 1/4-28 Hex Top-Lock	
9	7036038	1	COVER	
10	7090559	2	NUT, 1/2-20 Hex Center-Lock	
11	7018569	1	SEAL, Short	
12	7032260	1	RETAINER, Boot	
13	7090822	5	SCREW, #10-32 x 1/4" Self-Tapping	
14	7011024	1	PLUG	
15	7010988	1	WASHER, Plastic	
16	7051578	1	ASSEMBLY, Tube Drive	
17	7014331	1	SPACER	
18	7011071	1	WASHER, Thrust	
19	7014330	1	BEARING, Axle	
20	7014673	1	WASHER, Thrust	
21	7047891	1	WELDMENT, Axle & Gear	
22	7090099	2	SCREW, 1/4-28 x 1/2" Hex Head Cap, Grade 5	
23	7091122	14	SCREW, 1/4-20 x 1/2" Self-Tapping	Was 90539

### Footnotes:

\* NOTE: If need component isn't available use 5 HP version but has faster shaft output.

# Primary Chain Case

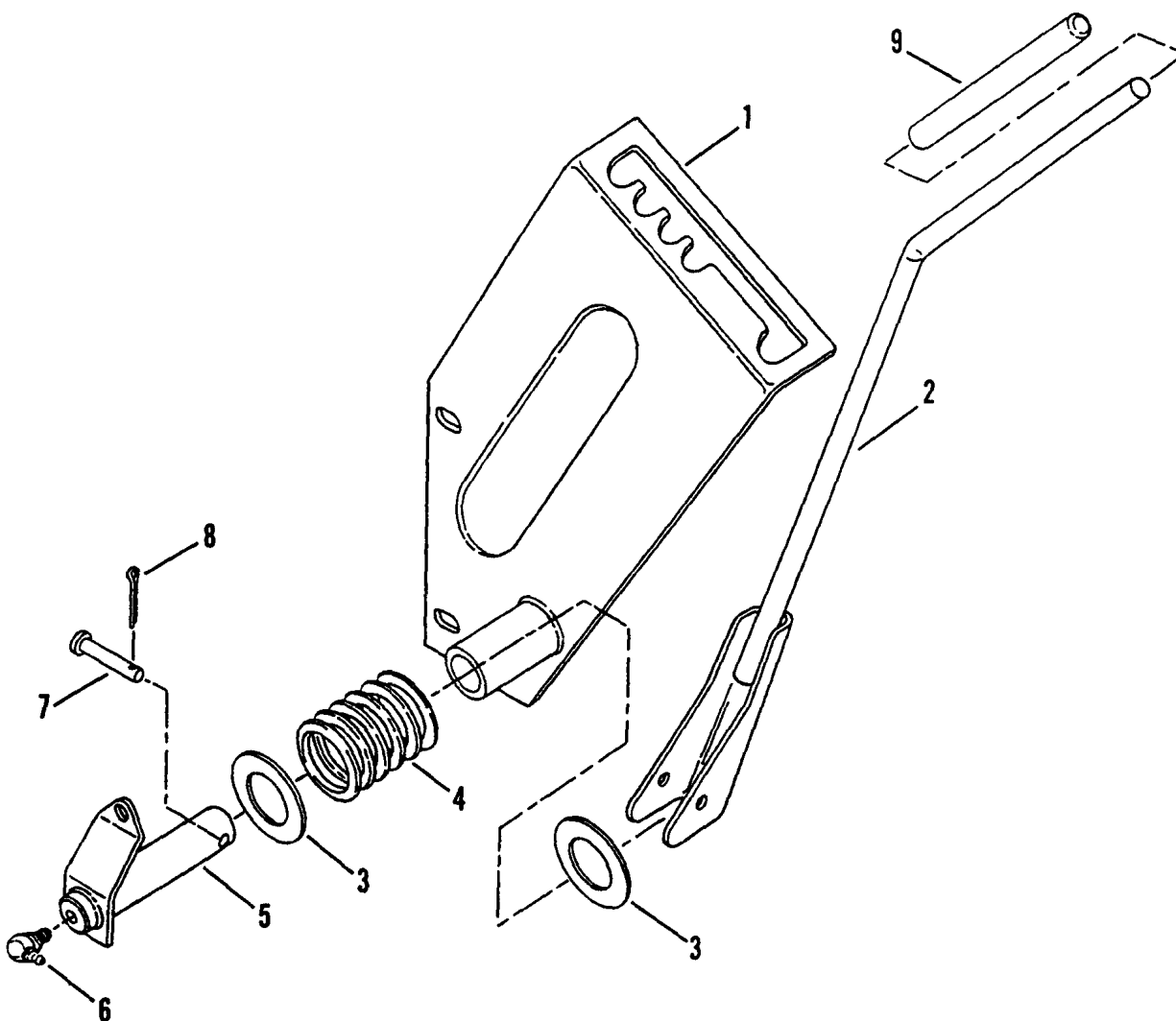


## Primary Chain Case

---

Item	Part No	Qty	Description	Note
	7051379		ASSEMBLY, Primary Chain Case	<i>(Includes items 1 thru 17)</i>
1	7039779		COVER (Left Hand)	
2	7090913	10	SCREW, #10-24 x 1/2" Hex Washer Self-Tap (Torx)	<i>Was 90307</i>
3	7028761		GASKET	<i>Was 18059</i>
4	7010942	2	BEARING, Needle	
5	7011086	2	WASHER, Thrust	
6	7040355		HUB SPROCKET	
7	7010756	2	BEARING, Ball	
8	7010690	4	WASHER, Shim	
9	7010940		SPROCKET - SHAFT	
10	7010941		CHAIN #35	
11	7047811		SPROCKET CASE (Right Hand)	
12	7020908		ROLLER	
13	7010776		RING, Retaining 1/2"	
14	7010614		KEY, Woodruff	
15	7011121	2	WASHER, Belleville .64 x 1.125 x .028	
16	7020911		HUB	
17	7090356		NUT, 5/16-18 Hex Center-Lock	
18	7090731	3	BOLT, 5/16-18 x 1/2" Short Neck Carriage, Grade 5	
19	7018782		DISC, Driven	<i>Was 10765</i>
20	7091601	3	NUT, 5/16-18 Hex Flange Lock	<i>Was 90585</i>
21	7011024		PLUG	

### Footnotes:



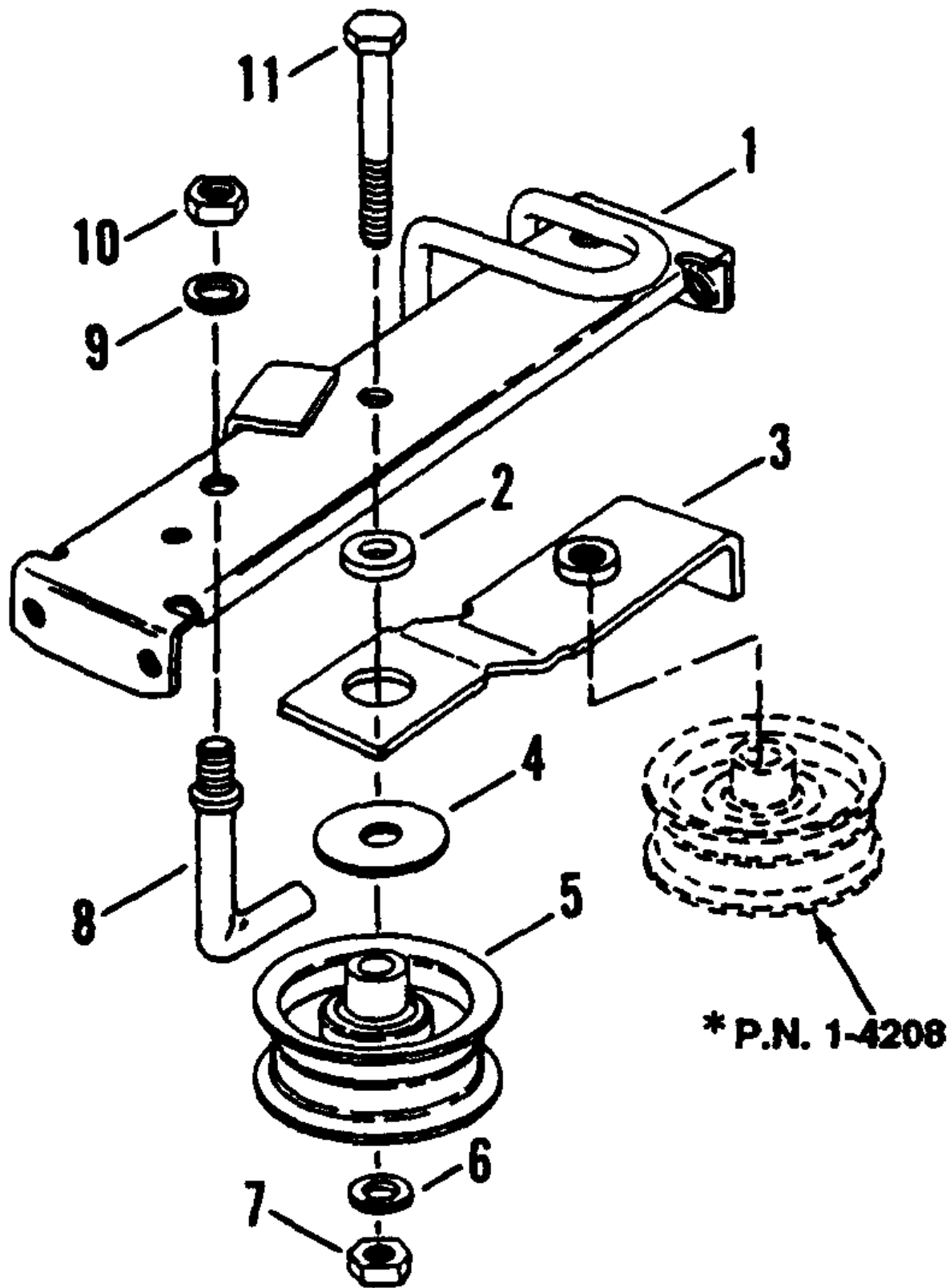
## Shift Quadrant

---

Item	Part No	Qty	Description	Note
			ASSEMBLY, Shift Quadrant (Not Available)	Was 57354
1	7047853		SHIFT QUADRANT, Structure	
2	7040507		HANDLE, Shift	
3	7031036	2	WASHER, Thrust	
4	7010754		SPRING, Tension	
5	7040508		ARM, Structure	
6	7012758		LUBE FITTING, 90 Deg. 1/4-28	
7	7011021		CLEVIS PIN, 1/4X1-1/4	
8	7091597		COTTER-PIN, 3/32 x 3/4"	Was 90037
9	7010838		GRIP, Shift Handle	

### Footnotes:

# Idler Bracket Assembly



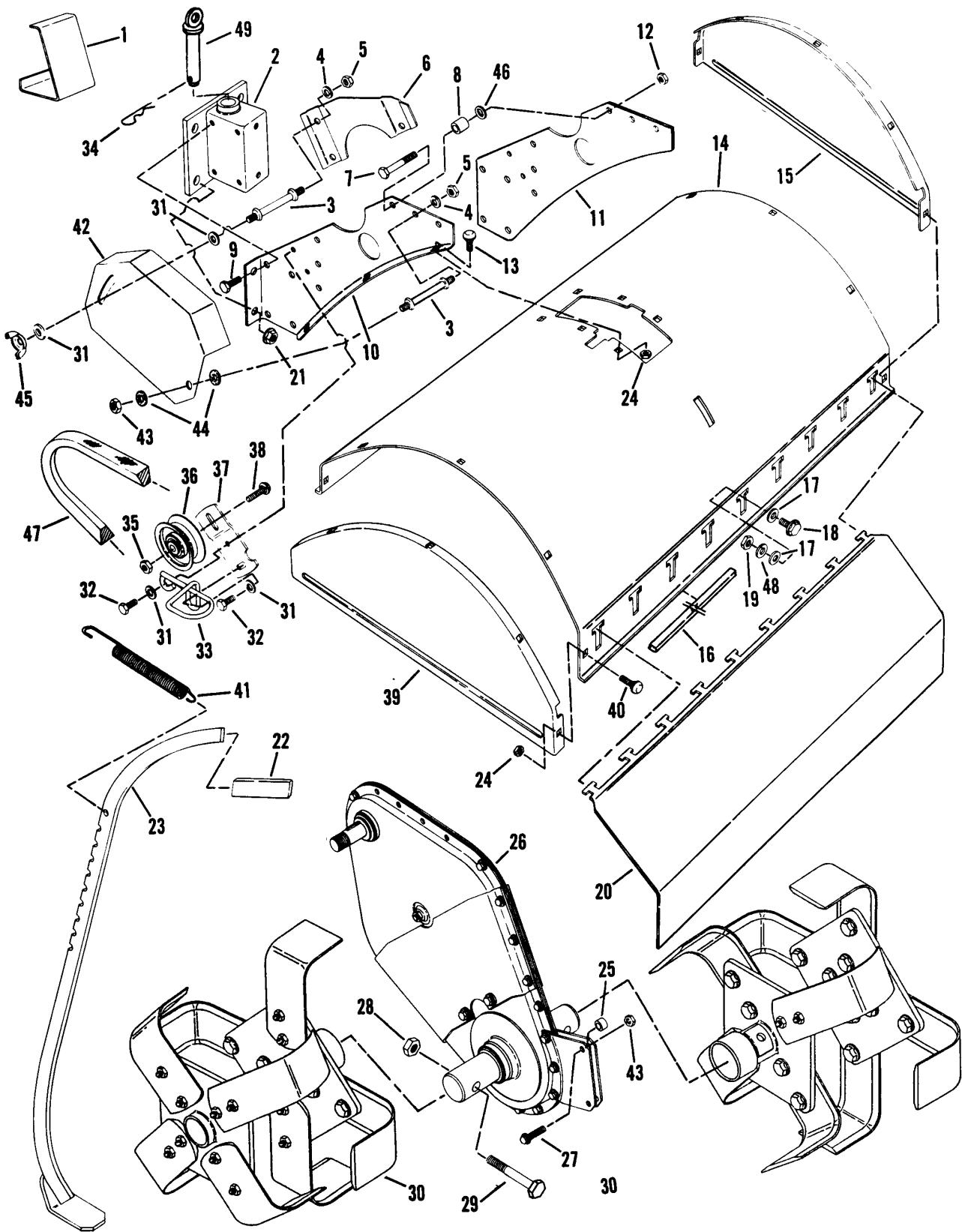
## **Idler Bracket Assembly**

---

<b>Item</b>	<b>Part No</b>	<b>Qty</b>	<b>Description</b>	<b>Note</b>
			ASSEMBLY, Idler Bracket (Not Available)	<i>Was 57376</i>
1			BRACKET, Idler (Not Available)	<i>Was 47868</i>
2	7014206		SPACER, .632 OD x .328 ID x .21 Long	
3	7051464		ARM, Idler	
4	7014666		WASHER, 11/32 Flat	
5	7014340		IDLER, 2.5" Flat	
6	7090187		WASHER, 5/16 Split Lock	
7	7091297		NUT, 5/16-24 Hex Head	<i>Was 90223</i>
8	7014454		GUIDE, Belt	
9	7090118		WASHER, 3/8 Split Lock	
10	7091630		NUT, 3/8-24 Hex Head	<i>Was 90155</i>
11	7028725		SCREW, 5/16-24 x 2" Hex Head Cap, Grade 5	<i>Was 90245</i>

### **Footnotes:**

# Tiller Head





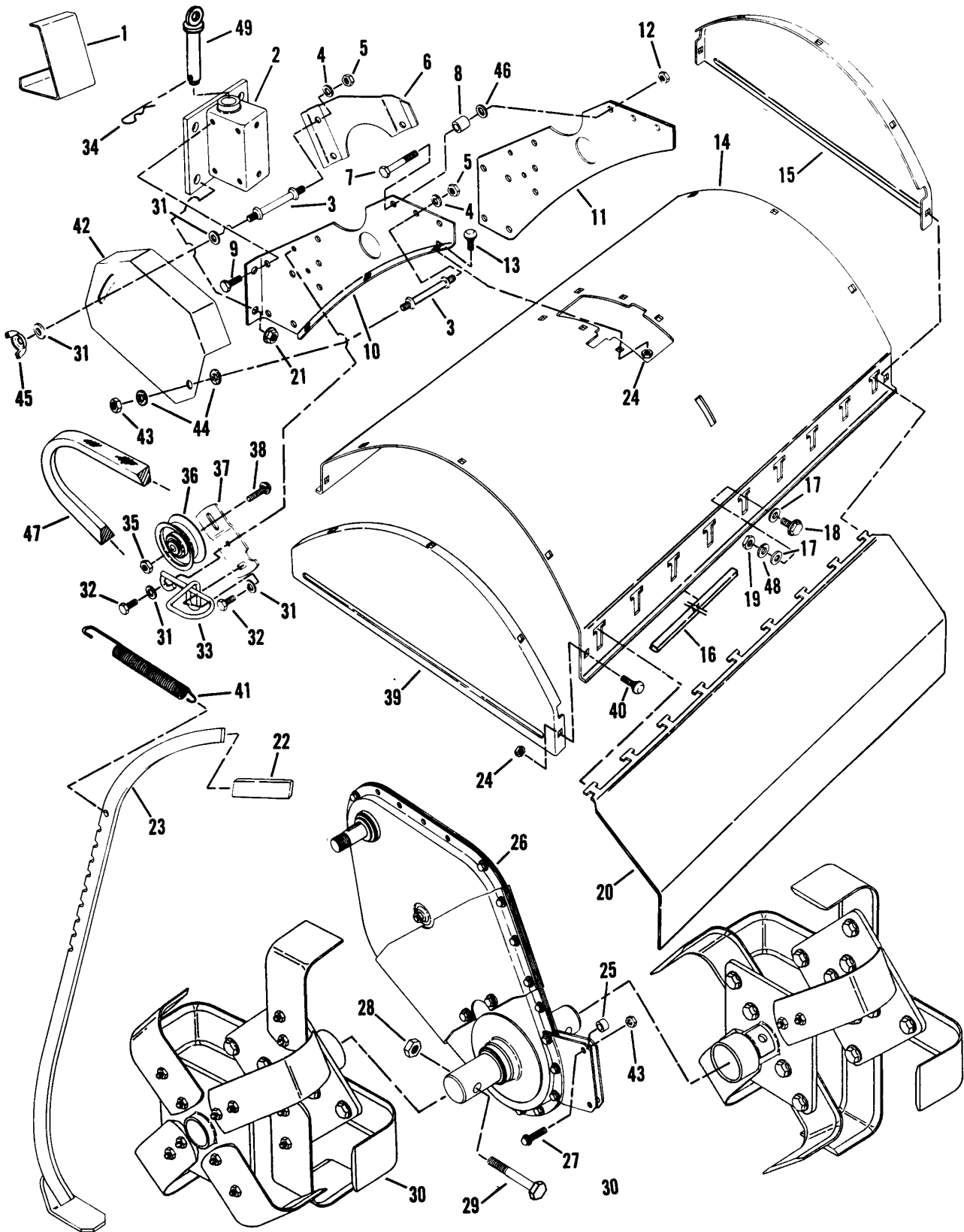
## Tiller Head

Item	Part No	Qty	Description	Note
1			* SPACER	Was 32263 (Used on 5HP Only)
2			BRACKET, Mounting	Was 47866 (Used on 8HP Only)
3		2	* STUD	Was 14381
4	7090187	2	WASHER, 5/16 Split Lock	
5	7091511	2	NUT, 5/16-18 Hex	Was 90196
6			* SHIELD	Was 38068
7	7090358	8	SCREW, 5/16-24 x 2 1/2" Hex Head Cap (Gr.8)	
8	7014334	10	SPACER, .625 OD x .388 ID x .801 Long	
9	7090815	8	SCREW, 3/8-16 x 1/2" Self Tapping (8HP)	Was 90506
10	7036058		BRACKET, Mtg. Left (8HP)	
	7036033		BRACKET, Mtg. Left (5HP)	
11	7036057		BRACKET, Mtg. Right (8HP)	
	7036034		BRACKET, Mtg. Right (5HP)	
12	7092062	8	NUT, 5/16-24 Hex Lock	Was 11201
13	7090799	6	BOLT, 5/16-18 x 5/8" Short Neck Carriage	
14	7035060		COVER, TINE	
15	7035063		PLATE, Right Side	
16			* MOULDING, Trim	Was 14422
17	7090122	6	WASHER, 3/8" Flat	
18	7090134	3	SCREW, 3/8-16 x 3/4" Hex Head Cap (Gr.2)	
19	7091302	3	NUT, 3/8-16 Hex	Was 90130
20	7036036	1	GUARD, Splash	
21	7091619	2	NUT, 3/8-16 Flange Lock (5HP only)	Was 90613
22	7013633		GRIP, Depth Bar	
23	7047808		STRUCTURE, Depth Bar	
24	7091601	16	NUT, 5/16-18 Hex Flange Lock	Was 90585
25	7021866		SPACER, .5 OD x .33 ID x .4 Long	
26	7051375		ASSEMBLY, Tiller Chain Case	(See "Main Chain Case" Illustration & Parts List)
27	7090209		SCREW, 5/16-18 x 1" Hex Head Cap	
28	7090289	2	NUT, 3/8-24 Hex Center Lock	
29	7014586	2	BOLT, 3/8-24 x 2 1/4" Shear	
30			ASSEMBLY, Tine 13" (8HP)(See Tine Assembly Group)	Was 51513 and 60687
			ASSEMBLY, Tine 11.5" (5HP)(See Tine Assembly Group)	Was 51579 and 60749
31	7090188	3	WASHER, 5/16 Flat (3)	
32	7091841	2	SCREW, 5/16-18 x 1" Self Tapping	Was 90369
33	7014875		FINGER, Belt	
34	7011714		PIN, Hair 2.25" (8HP)	

### Footnotes:

\* NOTE: This part may be available from DPNI 1-800-558-1848 (Todd Graff)

# Tiller Head



## Tiller Head

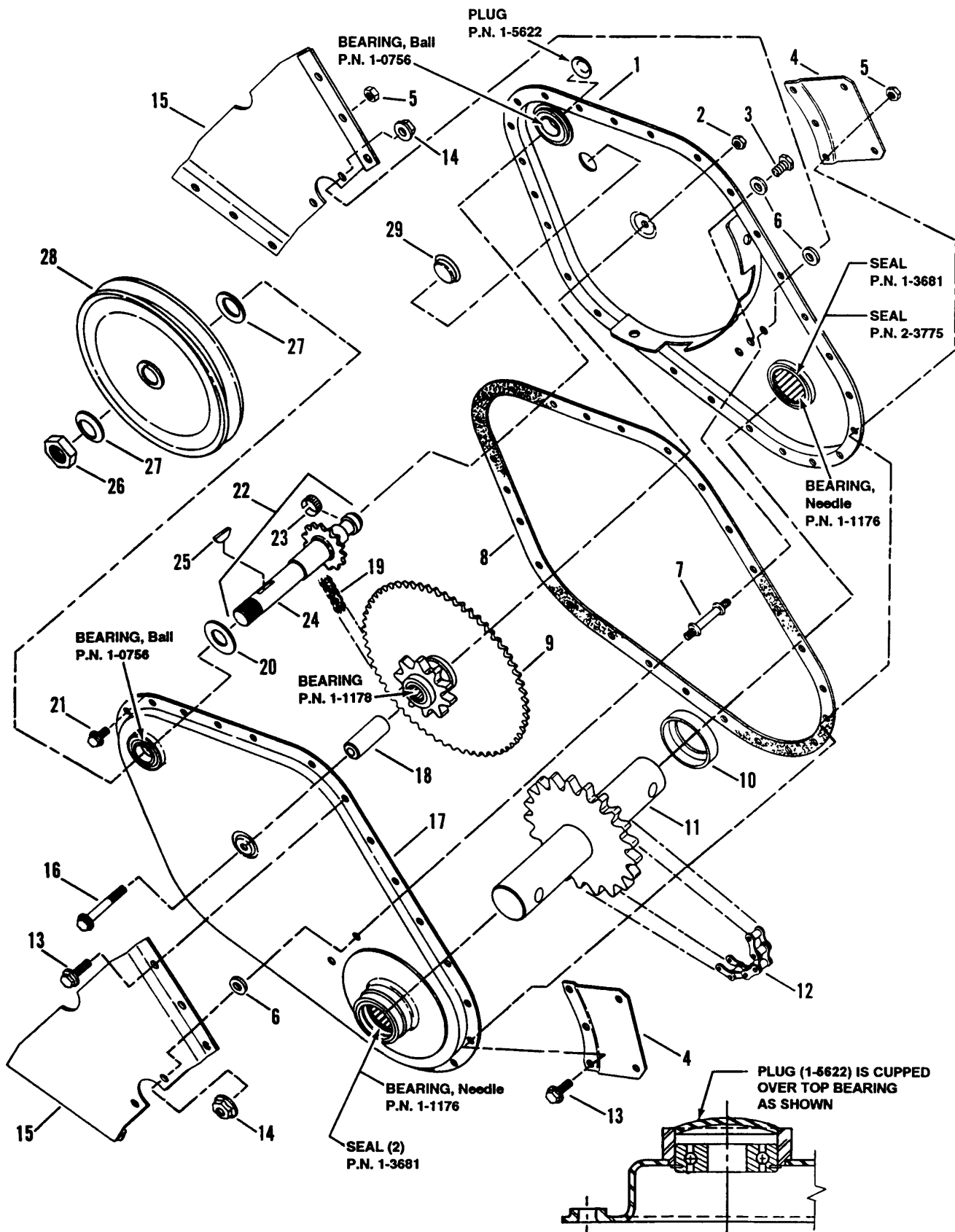
---

Item	Part No	Qty	Description	Note
35	7090222		NUT, 5/16-24 Hex Center Lock	
36	7014340		IDLER, Flat 2.5" OD .375" ID	
37	7032246		ARM, idler	
38	7090861		BOLT, 5/16-18 x 1-3/4" Carriage (Gr.5)	
39	7035062		PLATE, Left Side	
40	7090731	10	BOLT, 5/16-18 x 1/2" Short Neck Carriage (Gr.5)	
41	7014668		SPRING	
42	7047856		COVER, Belt	
43	7091575	2	NUT, 5/16-18 Hex Lock	Was 90184
44	7014980	2	WASHER, Seal	
45	7091537		NUT, 5/16-18 Lock Wing	Was 90375
46	7011791	10	RETAINER, Bolt 5/16"	
47	7014353		V-BELT, 4 L x 62.38" Effective Length	
48	7090118	3	WASHER, 3/8 Split Lock	
49	7040490		PIN, Clevis 3/4 x 6.062 (8HP)	

### Footnotes:

\* NOTE: This part may be available from DPNI 1-800-558-1848 (Todd Graff)

# Main Chain Case



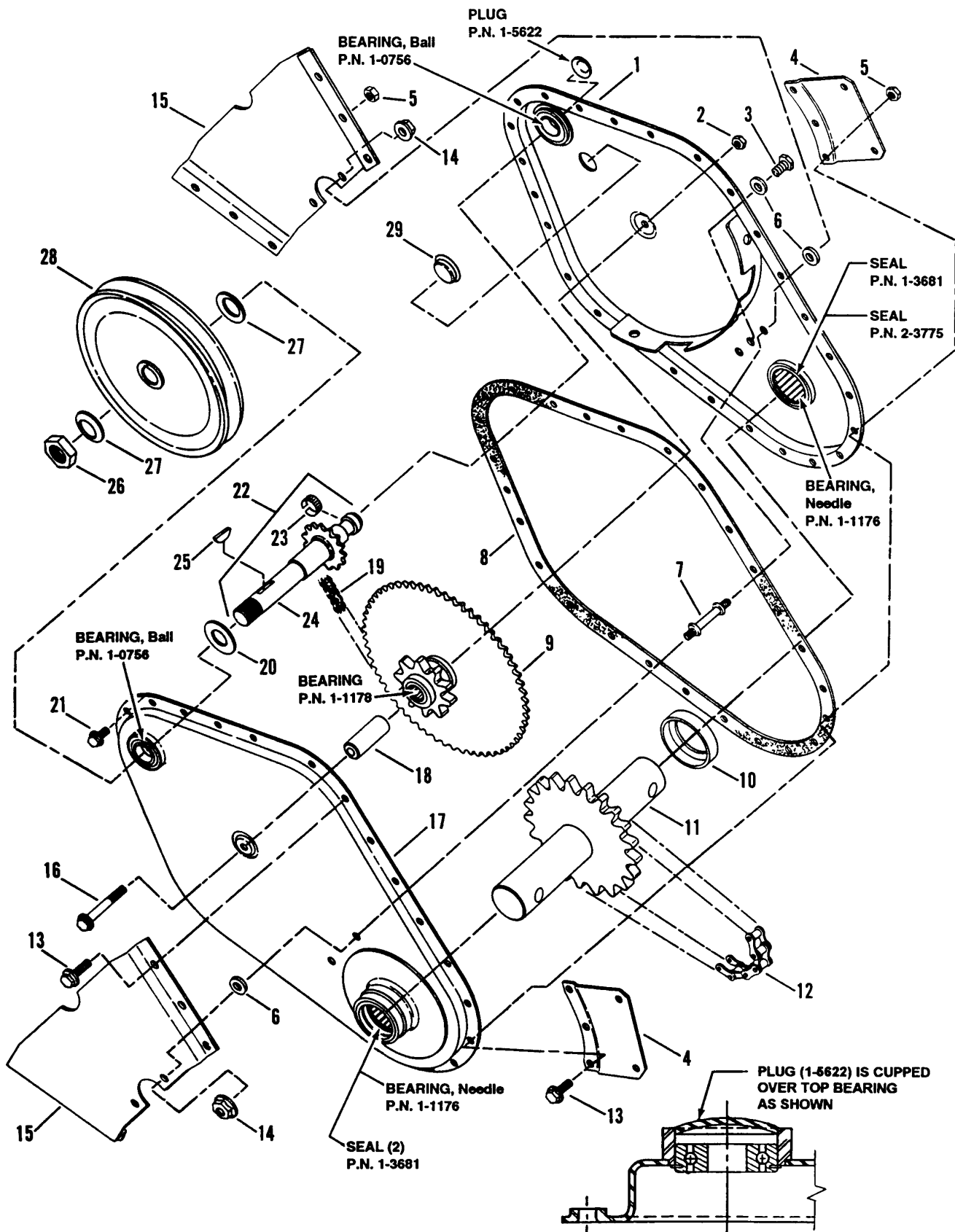
## Main Chain Case

Item	Part No	Qty	Description	Note
	7051375		ASSEMBLY, Main Chain Case	<i>(Includes items 1 thru 24)</i>
1	7051408		ASSEMBLY, Chain Case (Right Hand)	
	7051408		CASE, Right Hand	<i>Was 49714</i>
	7010756		BEARING, Ball	
	7011176		BEARING, Needle	
	7013681	2	SEAL	<i>One was 23775 double lip</i>
2	7092062		NUT, 5/16-24 Hex Lock	<i>Was 11201</i>
3	7090554		SCREW, 5/16-18 x 3/8" Self-Tapping	
4	7032248	2	RETAINER, Depth Bar	
5	7091575	9	NUT, 5/16-18 Hex Lock	<i>Was 90184</i>
6	7014980	4	WASHER, Seal	
7	7014677	2	STUD, Spacer 5/16 x 2.6	
8	7019716		GASKET, Chain Case Housing	
9	7050724		SPROCKET ASSM'Y., Intermediate	<i>(Includes following indented items)</i>
	7040437		SPROCKET	
	7011178	2	BEARING, Roller	<i>(Press fitted-flush)</i>
10	7011181		SPACER	
11	7040364		SHAFT, Tine Rotor	
12	7014313		CHAIN, Drive (#50)	
13	7091318	9	SCREW, 5/16-18 x 3/4" Hex Head Cap	<i>Was 90206</i>
14	7091601	4	NUT, 5/16-18 Hex Flange Lock	<i>Was 90585</i>
15	7038090	2	PLATE, Wear Guard	
16	7090838		SCREW, 5/16-24 x 2 1/4" Hex Head Cap, Grade 5	
17			ASSEMBLY, Chain Case (Left Side)(Not Available) * CASE, Left Hand (Not Available)	<i>Was 51363</i> <i>Was 49701</i>
	7010756		BEARING, Ball	
	7011176		BEARING, Needle	
	7013681	2	SEAL	
18	7021752		RACE, Sprocket Bearing	
19	7014312		CHAIN, Drive (#35)	
20	7010690		WASHER, Shim .625 x .812 x .016	
21	7090858	11	SCREW, 5/16-18 x 1/2" Self-Tapping	
22	7019102		ASSEMBLY, Drive Shaft	<i>Was 51786 (Includes items 23 &amp; 24)</i>
23	7015017		RING, Tolerance .625	
24	7019102		SHAFT, Drive	
25	7010211		KEY, #9-3/16 x 3/4" Woodruff	

### Footnotes:

\* NOTE: This part may be available from DPNI 1-800-558-1848 (Todd Graff)

# Main Chain Case



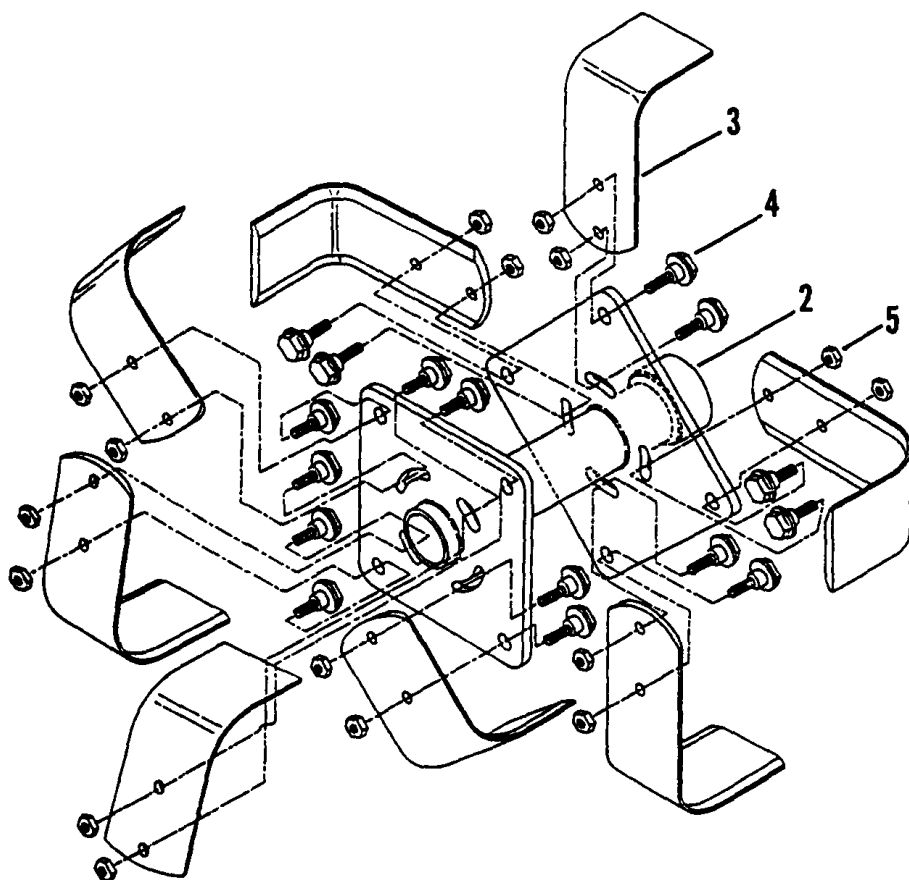
## Main Chain Case

---

Item	Part No	Qty	Description	Note
26	7090356		NUT, 5/18-18 Hex Center Lock	
27	7011121	2	WASHER, Cone .64 x 1.25 x .028	
28	7014311		PULLEY, 6" O.D.	
29	7011024		PLUG	

### Footnotes:

\* NOTE: This part may be available from DPNI 1-800-558-1848 (Todd Graff)



① ASSEMBLY

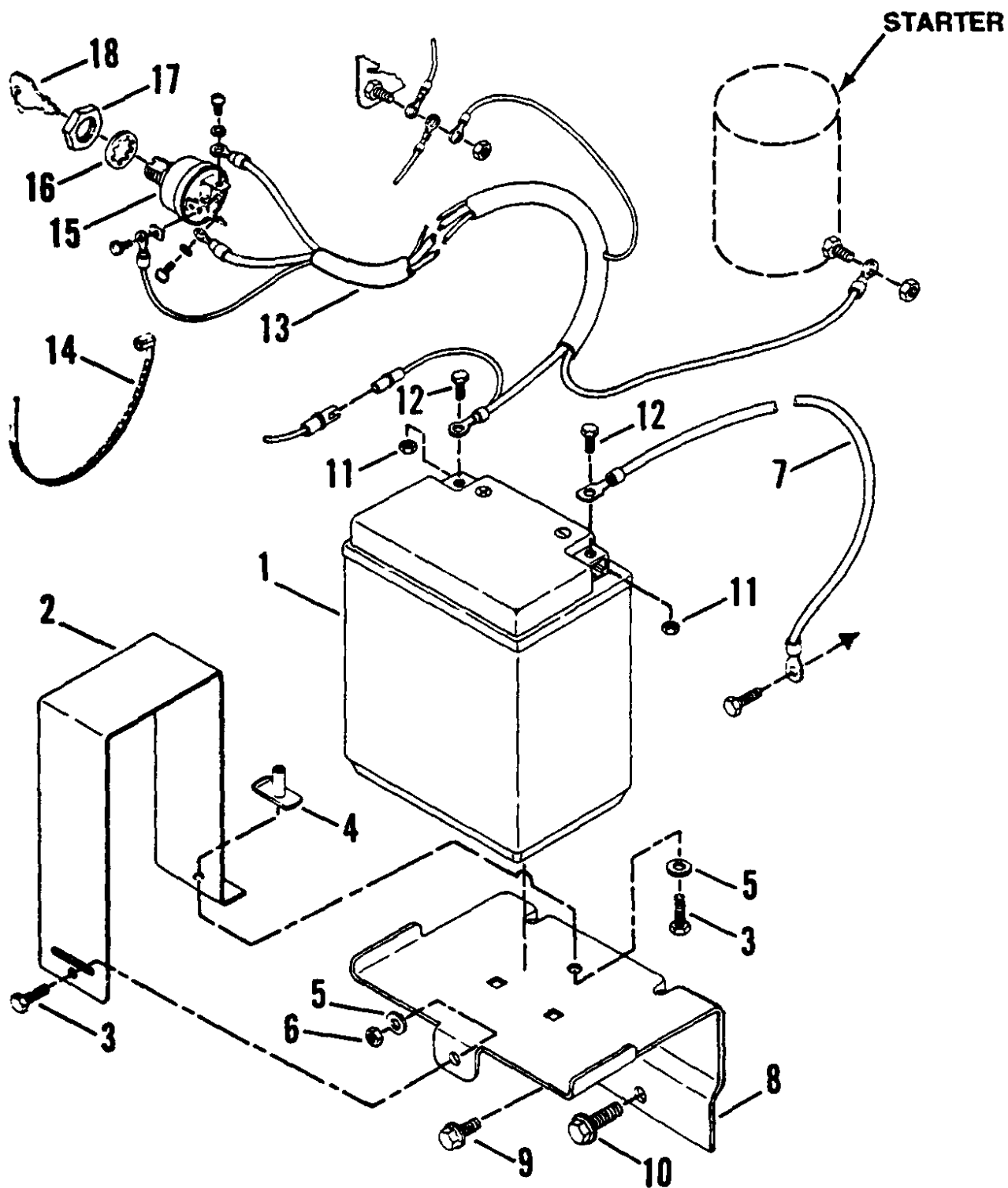


## Tine Assembly

---

Item	Part No	Qty	Description	Note
	7060687		KIT, Tine Assembly (8HP)(2 assemblies per kit)	<i>(Includes items 1 thru 5)</i>
			KIT, Tine Assembly (5HP)(Not Available, order individual parts)	<i>Was 60749 (Includes items 1 thru 5)</i>
1			ASSEMBLY, RT8 (8HP)(Not Available)(Includes items 1 thru 5, order individual parts)	<i>Was 51513</i>
			ASSEMBLY, Tine (5HP)(Not Available)(Includes items 1 thru 5, order individual parts)	<i>Was 51579</i>
2	7049723		STRUCTURE, Tine Hub	
3	7075143	8	TINE, 13" (8HP)	<i>Was 32424</i>
	7075142	8	TINE, 11.5" (5HP)	<i>Was 38215</i>
4	7014981	16	BOLT, 3/8-24 Hex Flange Head (Shoulder)	
5	7090524	16	NUT, 3/8-24 Hex Lock Gr 8	

### Footnotes:



## **Electric Start Components**

---

<b>Item</b>	<b>Part No</b>	<b>Qty</b>	<b>Description</b>	<b>Note</b>
1	7060782		* BATTERY, 12-Volt (Includes 1 thru 7)	<i>Was 60770</i>
2	7038268		RETAINER, Battery	
3	7090643	2	SCREW, 1/4-20 x 7/8" Hex Head Cap	
4	7014303		NUT, 1/4-20 Tee	
5	7091294	2	WASHER, 1/4 Flat	<i>Was 90055</i>
6	7090372		NUT, 1/4-20 Hex Lock	
7	7015550		WIRE, Negative 12" 8 AWG Black	
8	7036107		BRACKET, Battery Mount	
9	7090324		SCREW, 3/8-16 x 1" Self-Tapping	
10	7090858		SCREW, 5/16-18 x 1/2" Self-Tapping	
11	7012688	2	NUT, #10-24 Hex Lock	
12	7090411	2	SCREW, #10-24 x 1/2" Hex Hd. Cap	
13			HARNESS, Wiring (Not Available)	<i>Was 18654</i>
14	7012080		TIE, Cable 7"	
15	7011155		SWITCH, Electric Start (Includes items 16, 17 & two item 18)	
16	7091546		WASHER, 5/8 Internal Tooth Lock	<i>Was 90880</i>
17	7015438		NUT, 5/8-32 Hex	
18	7011138	2	KEY, Switch (pr.)	

### **Footnotes:**

\* NOTE: (Includes acid pack & cable hardware - Battery cable mounting hardware that comes with battery is metric; when ordering replacement hardware, order item numbers 11 & 12.)

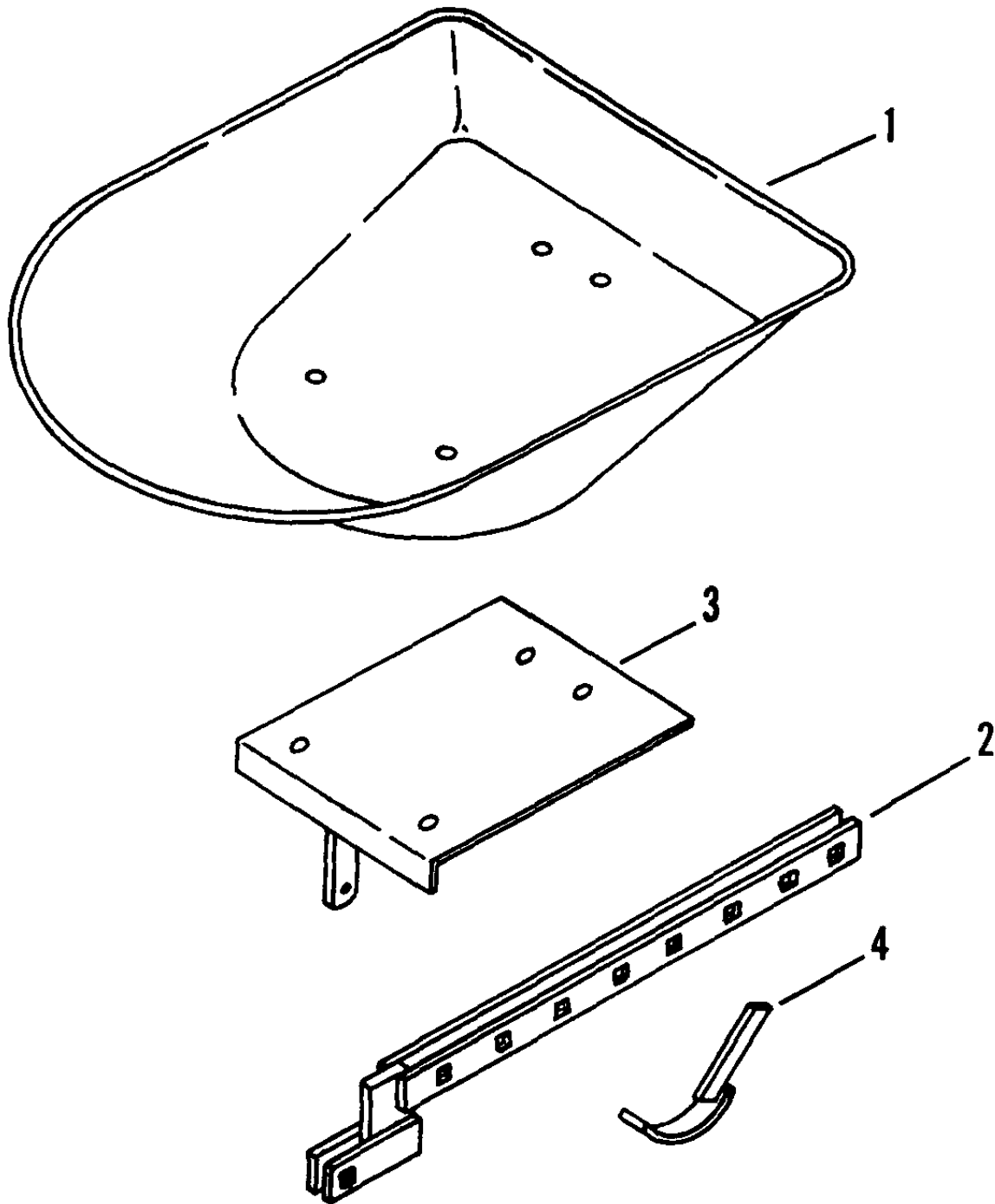


## Decals

Item	Part No	Qty	Description	Note
			* DECAL, Engine Ignition (Manual Start) (Was 14427, contact DPNI)	
1	7071916		DECAL, SNAPPER (14.56 x 2.75")	Was 18586
	7019295		DECAL, SNAPPER (11.5 x 2.25")	Was 18593
2	7014426		DECAL, Throttle Control	
3	7018592		DECAL, Tine Rotation Selection	
4	7014428		DECAL, Handle Release	
5			* DECAL, Engine Ignition (Manual Start) (Not Available)	Was 14427
6	7014689		DECAL, Engine Ignition (Elec. Start)	
7	7014439		DECAL, Wheel & Tine Control	
8	7014429		DECAL, Tine Clutch	
9	7014519		DECAL, Belt Rotation Instruction	
10	7014425		DECAL, Safety instructions	
11			DECAL, Model RT5X (Not Available)	Was 18831
12	7014683		DECAL, Model RT5	
13	7018591		DECAL, Operating Instructions	
14	7014688		DECAL, Model RT8S	
15			* DECAL, Model RT8 (Not Available)	Was 14684

### Footnotes:

\* NOTE: This part may be available from DPNI 1-800-558-1848 (Todd Graff)



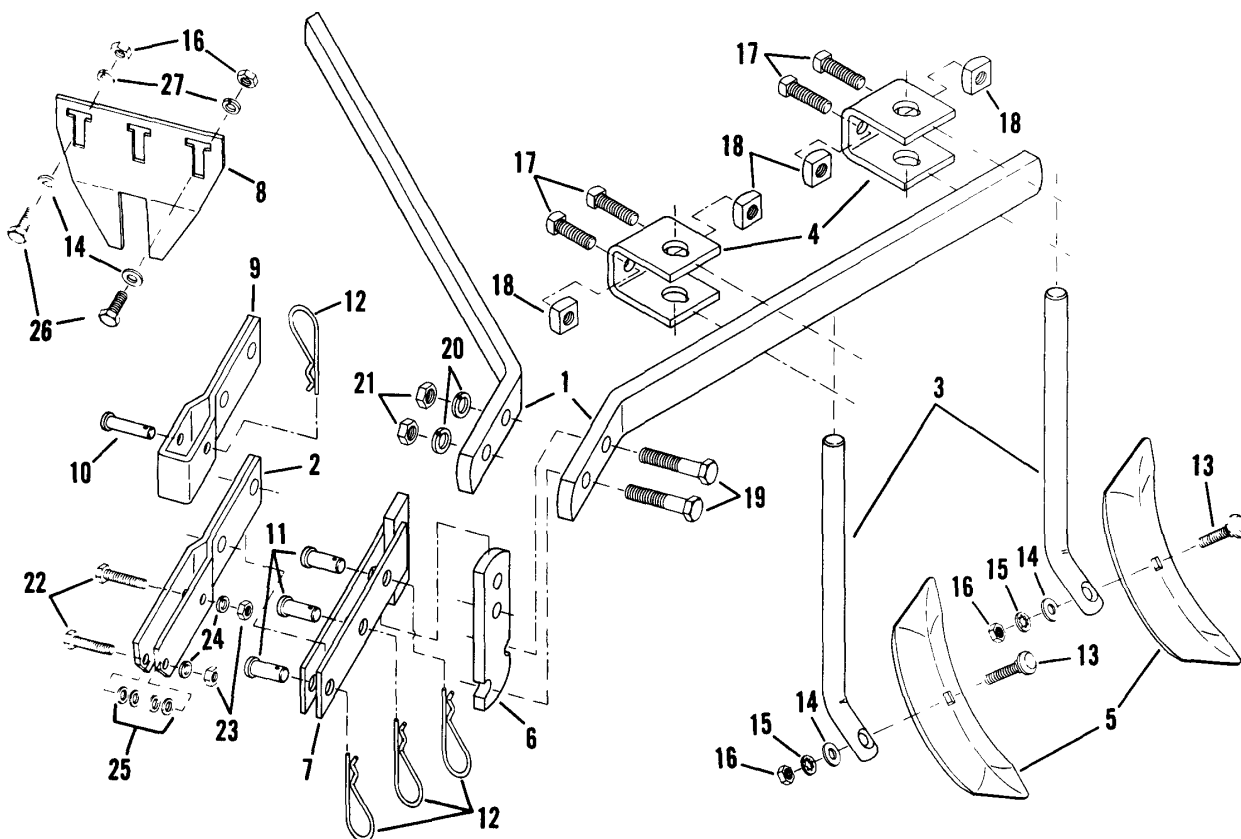
## **Garden Tool Kit (P/N 60559 Hauling Tray Kit)**

---

<b>Item</b>	<b>Part No</b>	<b>Qty</b>	<b>Description</b>	<b>Note</b>
1			KIT, Hauling Tray (Not Available)	<i>Was 60559</i>
2			DUMP-HARROW (Not Available)	<i>Was 13652</i>
3			* DRAW-BAR (Not Available)	<i>Was 13561</i>
4			* BRACKET, Mounting (Not Available)	<i>Was 13654</i>
			GAGE-SHOE (Skid) (Not Available)	<i>Was 18608</i>
	7012867		PIN, Hair	<i>Not shown</i>
			PIN, Draw (Not Available)	<i>Was 13952, Not shown</i>
	7090254	4	WASHER, 1/2 Split Lock	<i>Not shown</i>
	7091316	5	NUT, 1/2-13 Hex	<i>Was 90258, Not shown</i>
	1921024	5	BOLT, 1/2-13 x 2" Round Head Carriage	<i>Was 90618, Not shown</i>
	7090118	4	WASHER, 3/8 Split Lock	<i>Not shown</i>
	7091302	4	NUT, 3/8-16 Hex	<i>Was 90130, Not shown</i>
	7090517	4	WASHER, 3/8 Plain	<i>Not shown</i>
	7091547	4	SCREW, 3/8-16 x 3/4" Pan Head Machine	<i>Was 13653, Not shown</i>

### **Footnotes:**

\* NOTE: This part may be available from DPNI 1-800-558-1848 (Todd Graff)



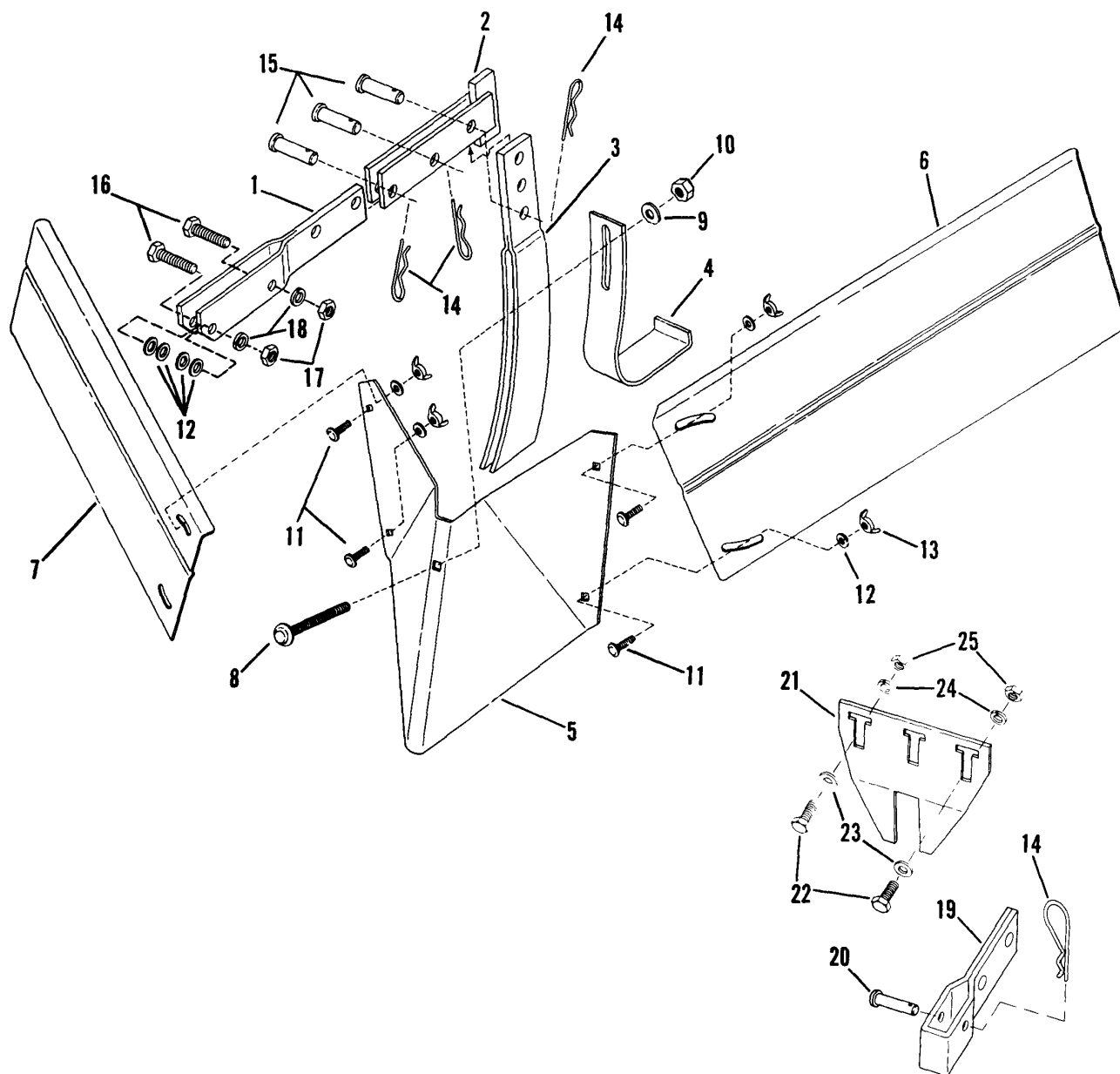


## Garden Tool Accessories (P/N 60730 Harrow Kit)

Item	Part No	Qty	Description	Note
	7060730		KIT, Wisbone Harrow	
1		2	* TOOL BAR (Not Available)	Was 31905
2	7047857		CLEVIS, Bracket	
3	7032474	4	SHANK, Cultivator	
4	7031904	4	CLAMP	
5	7012244	4	SHOVEL, Double Point	
6	7032473		* ADAPTER, Harrow (Not Available)	Was 32473
7	7047858		DRAW-BAR	
8	7038217		CLEVIS, Support	
9	7040527		BRACKET, Mounting	Use on Front Tine Tiller Only!
10	7013460		PIN, Clevis, 3/8 x 1 1/2"	Use on Front Tine Tiller Only!
11	7013111	3	PIN, Clevis, 1/2 x 1"	
12	7091596	4	PIN, Hair 2.62"	Was 13844
13	1931352	4	BOLT, 3/8-16 x 1 1/2" Carriage	Was 90497
14	7090122	8	WASHER, 3/8" Flat	
15	7090390	4	WASHER, 3/8 Internal Tooth Lock	
16	7091302	6	NUT, 3/8-16 Hex	Was 90130
17	1921176	8	SETSCREW, 1/2-13 x 1 1/4" Square Head	Was 90542
18	7090326	8	NUT, 1/2-13 Square	
19	7090543	2	SCREW, 1/2-13 x 2" Hex Head Cap	
20	7090254	2	WASHER, 1/2 Split Lock	
21	7091316	2	NUT, 1/2-13 Hex	Was 90258
22	7091540	2	SCREW, 5/16-18 x 1 1/2" Hex Head Cap	Was 90211
23	7091511	2	NUT, 5/16-18 Hex	Was 90196
24	7090187	2	WASHER, 5/16 Split Lock	
25	7090188	4	WASHER, 5/16 Flat	
26	7090134	2	SCREW, 3/8-16 x 3/4" Hex Head Cap	
27	7090118	2	WASHER, 3/8 Split Lock	
			HILLER FURROWER UPDATE (Not Available)	Was 60750, Consists of items 8, 9, 10, 12, 16, 23, 26 and 27.

### Footnotes:

\* NOTE: This part may be available from DPNI 1-800-558-1848 (Todd Graff)



## Garden Tool Accessories (P/N 60731 Hiller Furrower Kit)

Item	Part No	Qty	Description	Note
	7060731		Hiller Furrower Kit	
1	7047857		BRACKET, Clevis	Included in Hiller/Furrower Kit (P/N 6-0628)
2	7047858		DRAW-BAR	Included in Hiller/Furrower Kit (P/N 6-0628)
3	7047885		STANDARD	Included in Hiller/Furrower Kit (P/N 6-0628)
4	7032430		SKID-SHOE	Included in Hiller/Furrower Kit (P/N 6-0628)
5	7035072		HILLER - FORROWER	Included in Hiller/Furrower Kit (P/N 6-0628)
6	7036135		WING, Hiller (Left Side)	Included in Hiller/Furrower Kit (P/N 6-0628)
7	7036134		WING, Hiller (Right Side)	Was 38134, Included in Hiller/Furrower Kit (P/N 6-0628)
8	7090779		BOLT, 1/2-13 x 3 1/2" Carriage, Grade 2	
9	7090705		WASHER, 1/2" Flat	
10	7091316		NUT, 1/2-13 Hex	Was 90258
11	7090316	4	BOLT, 5/16-18 x 3/4" Carriage	
12	7090188	8	WASHER, 5/16" Flat	
13	7091537	4	WING-NUT, 5/16-18	Was 90492
14	7091596	3	PIN, .148 x 2 5/8" Hair	Was 13844
15	7013111	3	PIN, 1/2 x 1" Clevis	
16	7091540	2	BOLT, 5/16-18 x 1 1/2" Hex Head	Was 90211
17	7091511	2	NUT, 5/16-18 Hex	Was 90196
18	7090187	2	WASHER, 5/16 Split Lock	
19	7040527		BRACKET, Mounting	(Front Tine Tiller Only!)
20	7013460		PIN, 3/8 x 1 1/2" Clevis	(Front Tine Tiller Only!)
21	7038217		CLEVIS, Support	
22	7090134	2	SCREW, 3/8-16 x 3/4" Hex Head Cap	
23	7090122	8	WASHER, 3/8" Flat	
24	7090118	2	WASHER, 3/8 Split Lock	
25	7091302	6	NUT, 3/8-16 Hex	Was 90130

### Footnotes:





*Parts Manual for*

# **SNAPPER®**

## **LARGE FRAME REAR TINE TILLERS SERIES 2**

IT IS THE POLICY OF SNAPPER TO IMPROVE ITS PRODUCTS  
WHENEVER IT IS POSSIBLE AND PRACTICAL TO DO SO. WE  
RESERVE THE RIGHT TO MAKE CHANGES OR ADD IMPROVEMENTS  
AT ANY TIME WITHOUT INCURRING ANY OBLIGATION TO MAKE  
SUCH CHANGES ON PRODUCTS MANUFACTURED PREVIOUSLY.

**SNAPPER®** McDonough, GA, 30253 U.S.A.

## Free Manuals Download Website

<http://myh66.com>

<http://usermanuals.us>

<http://www.somanuals.com>

<http://www.4manuals.cc>

<http://www.manual-lib.com>

<http://www.404manual.com>

<http://www.luxmanual.com>

<http://aubethermostatmanual.com>

Golf course search by state

<http://golfingnear.com>

Email search by domain

<http://emailbydomain.com>

Auto manuals search

<http://auto.somanuals.com>

TV manuals search

<http://tv.somanuals.com>