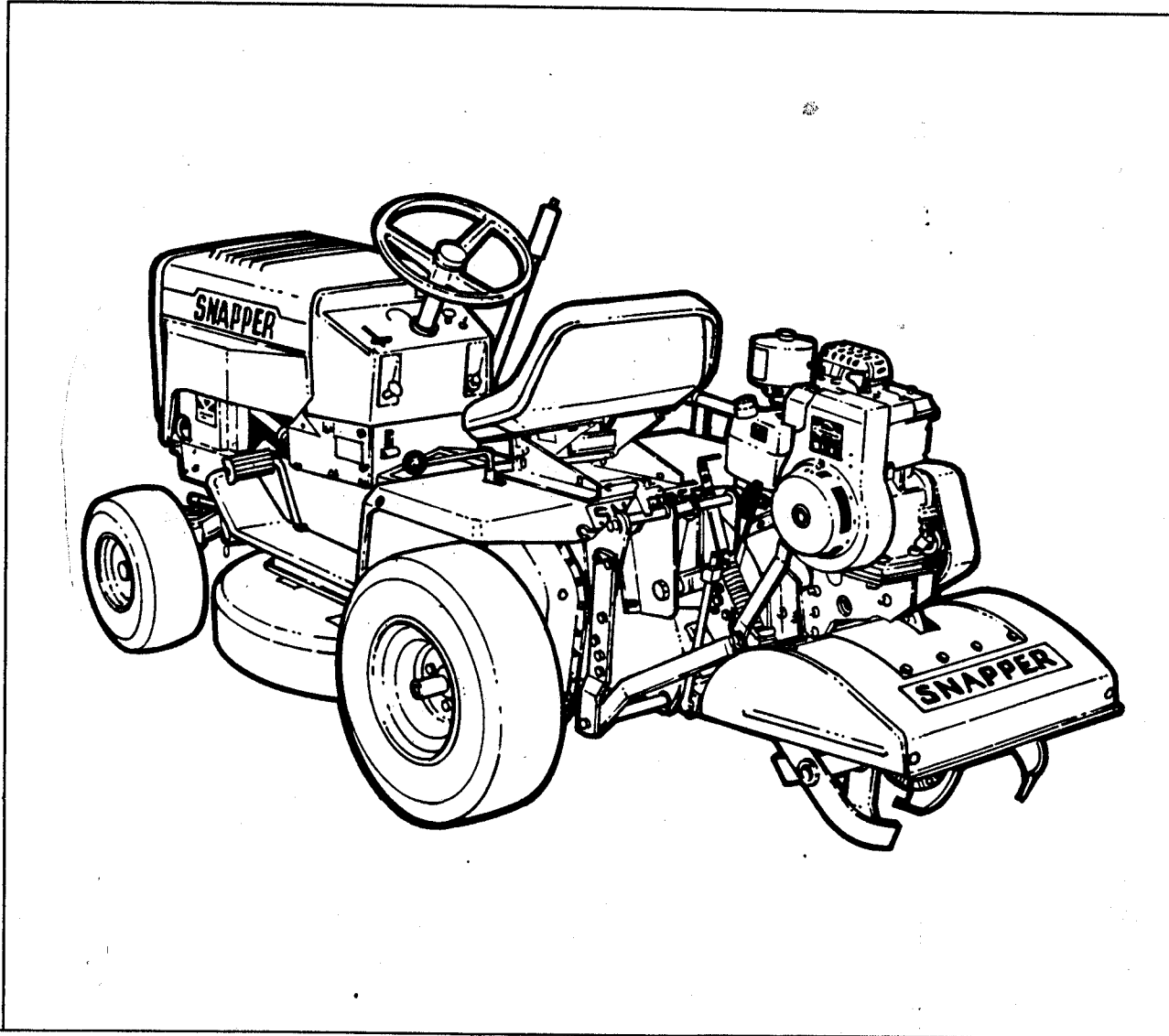


Operator's Manual &  
Safety Instruction for

# SNAPPER®



## MODEL TA 520 TILLER ATTACHMENT

**SNAPPER POWER EQUIPMENT**  
McDonough, GA • 30253



MANUAL 1-5355

## **SCOPE**

This manual covers the recommended procedure for the installation of the Model TA 520 TILLER ATTACHMENT for 1985 and later models of the LT Series SNAPPER Lawn Tractors. Pre-1985 models of the LT Series Lawn Tractors require the tiller short frame kit, number 6-0760.

Thank you for buying a SNAPPER product! Your Tiller was designed and built to provide long and satisfactory service. Study this manual carefully before operating the Tiller and pay particular attention to the Important Safety Instructions below. Keep in mind that a Tiller, like any other mechanical device, can be potentially dangerous if used improperly. Following the instructions in this and the engine manual will help you continue to enjoy the trouble-free operation expected of a SNAPPER.

### **IMPORTANT SAFETY INSTRUCTIONS**

**Warning:** This tilling machine is capable of causing personal injury! Failure to observe the following instructions could result in serious injury to the operator or persons in the operational area. Carefully read these instructions and be sure to question your Snapper Dealer if in doubt about anything. Should the Dealer not answer to your satisfaction, write or call the Snapper Customer Service Department at McDonough, Ga., 30253 (Phone 404-957-9141).

1. Become thoroughly familiar with all controls and learn how to stop tine rotation quickly in preparation for emergencies.
2. Never allow children or immature, uncoordinated or inexperienced persons to operate your tiller.
3. Keep everyone safely away from the area being tilled.
4. Be especially watchful for children and pets darting into the area while operating.
5. Wear protective clothing and appropriate shoes when operating any power equipment.
6. Persons under the influence of alcohol or drugs must not be allowed to operate your tiller.
7. Stay alert, give complete and undivided attention to the job on hand.
8. Fill fuel tank only when engine is stopped and not hot. Fill outside where fumes can be safely dissipated.
9. Make sure clutch is disengaged before attempting to start.
10. Keep feet, hands and clothing safely away from tines at all times.
11. Disengage the tines and stop the engine before making any adjustments, attempting to clean or clear tines, or leaving the operator's position even momentarily!
12. Remember to avoid operating the engine in any enclosed area where deadly exhaust fumes could accumulate.

# INSTALLATION

**NOTE:** The tiller is shipped complete with the three-point hitch components assembled. It will be necessary to separate the hitch from the tiller before installing on the tractor as described in the following steps.

1. Remove the four (4) self-tapping screws from the rear plate of the tractor. Remove rear plate. See Figure 1.

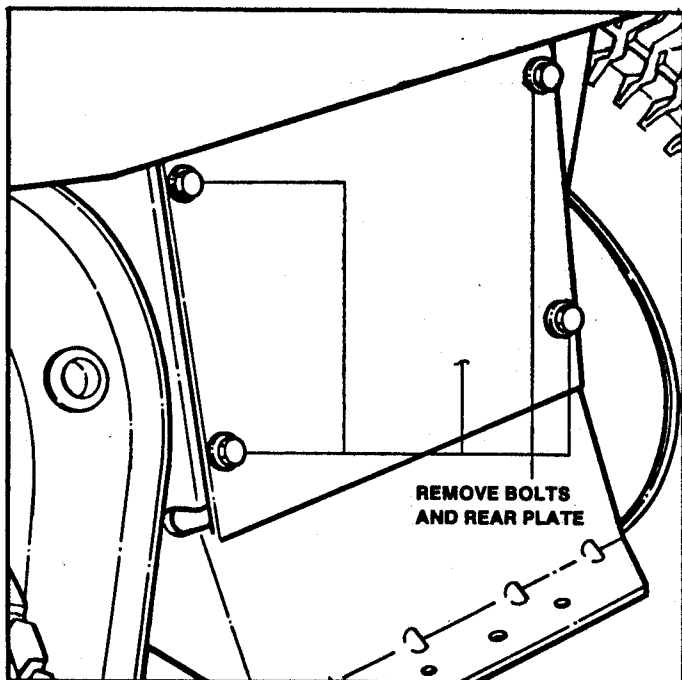


FIGURE 1

2. Remove bolt from rear frame crossmember and install the frame reinforcement (Part number 3-2505) on the right hand side only. Replace the crossmember bolt with the 3/8" UNC x 1" carriage bolt (Part number 9-0645) and nut (Part number 9-0613). Replace the four (4) rear plate bolts with 5/16"-18 x 1" bolts (Part number 9-0661) from inside frame and tighten securely. See Figure 2.

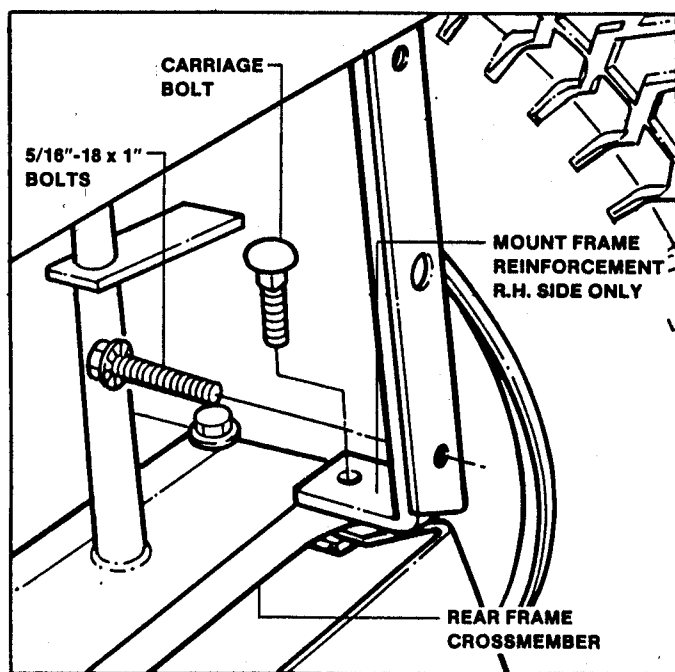


FIGURE 2

3. Slide the three point hitch over the four (4) rear plate bolts and insert the two (2) self-tapping 3/8" UNC x 3/4" screws (Part number 9-0815) and nuts (Part number 9-0613) into the draw-bar. See Figure 3. Mount nuts onto the rear plate bolts and tighten.

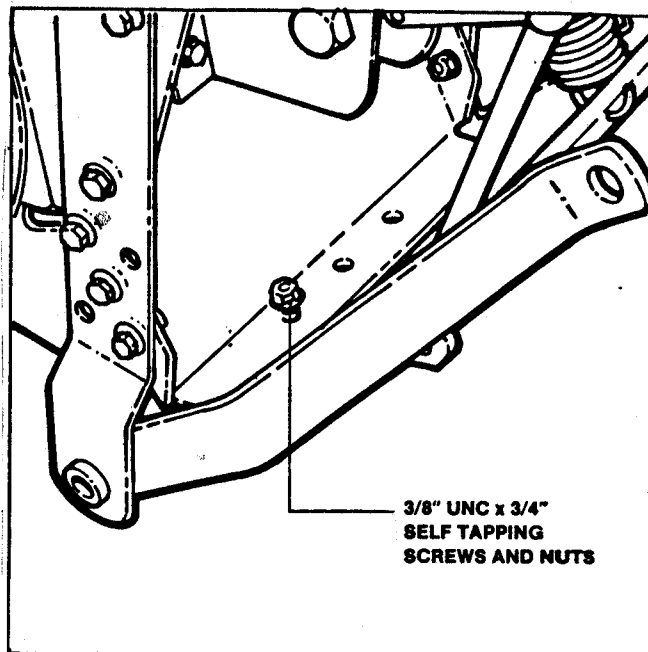


FIGURE 3

### Note:

If the three point hitch does not mount flush to the draw-bar securely, loosen the three (3) bolts on either side of the three point hitch and tighten draw-bar bolts. Retighten the six (6) three point hitch frame bolts. See Figure 4.

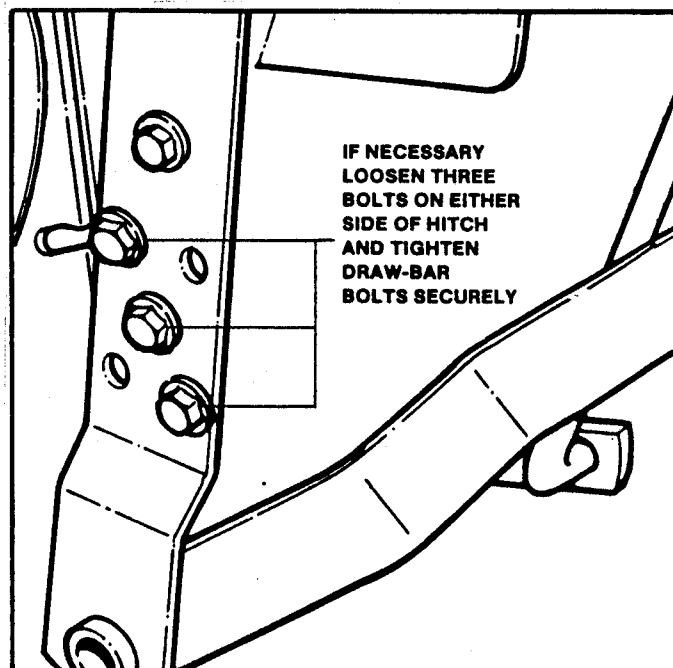


FIGURE 4

### Caution:

Make sure all nuts and bolts are tightened securely.

## INSTALLATION

4. Mount handle bar with two (2) 5/16" - 24 tapered bolts (Part number 1-1035) and nuts (Part number 1-1201). See Figure 5.

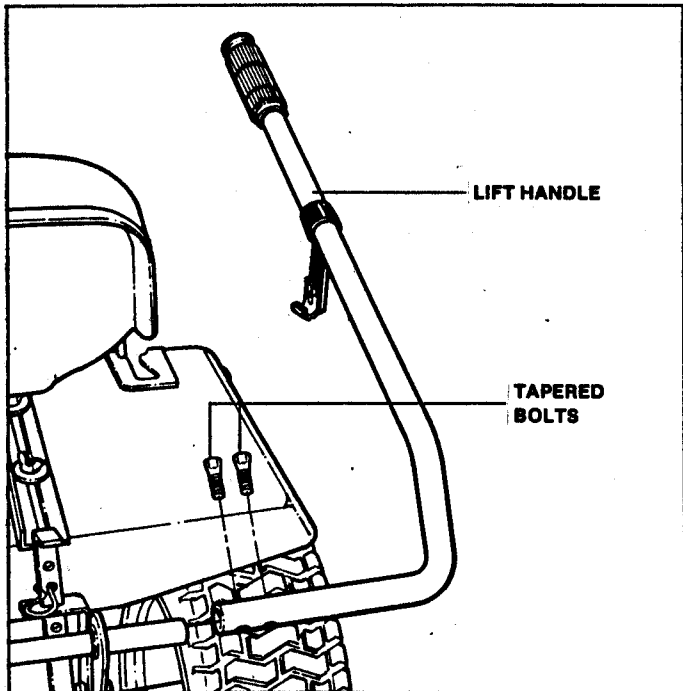


FIGURE 5

5. Make sure safety strap is attached to handle bar and hook it to the tractor fender whenever transporting, servicing or when tiller is raised for any reason. See Figure 6.

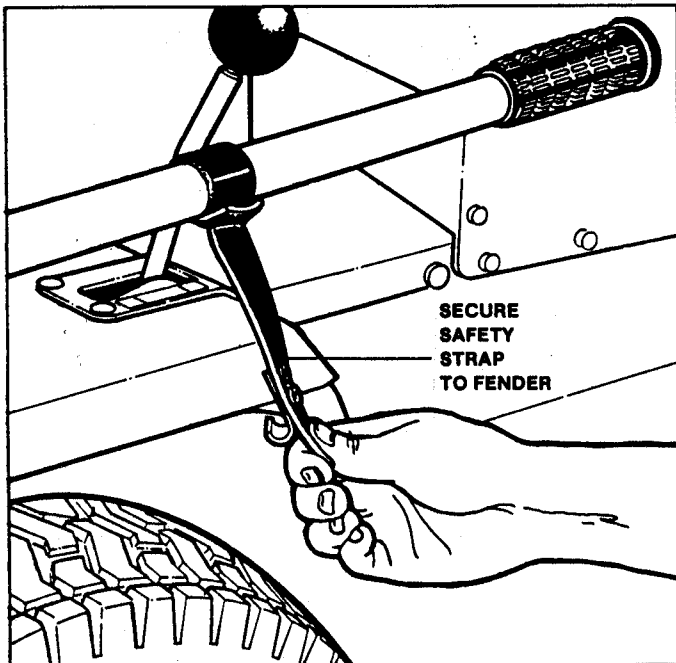


FIGURE 6

**Note:**  
When mounting or dismounting tiller, make sure

the tine clutch is disengaged (pulled back) and the safety strap attached. See Figure 7.

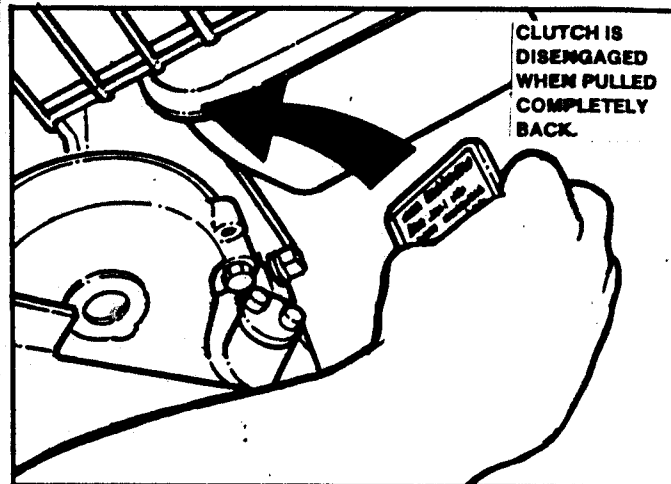


FIGURE 7

6. Remove the center stabilizer bar. Slide tiller in position and attach it with the 3/4" clevis pins and hair pins. See Figure 8.

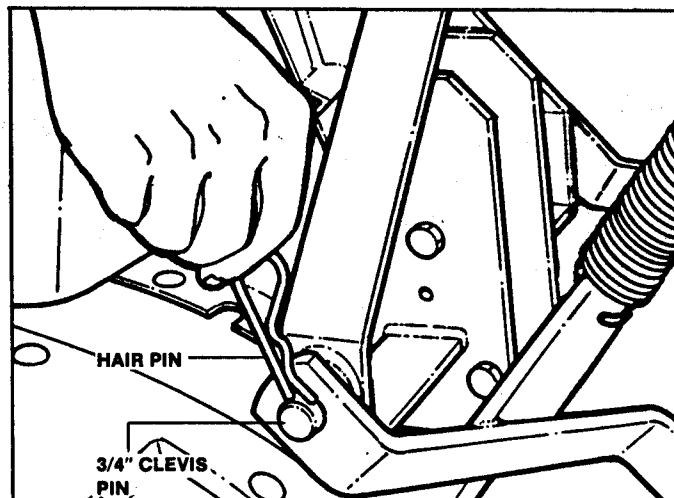


FIGURE 8

7. Reinstall center stabilizer bar with washers and hair pins and attach to tiller in desired position. See Figure 9.

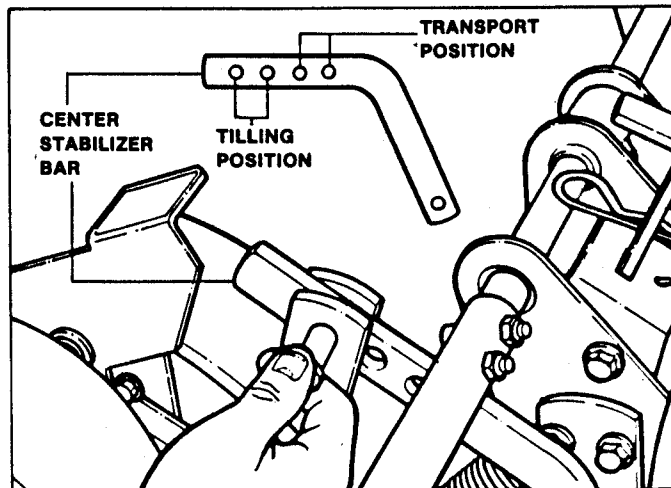


FIGURE 9

# Operation and Adjustments

## Adjustments

1. First, adjust the lift linkage, raise tiller all the way up and hook safety strap to fender. Adjust the lift linkage until it just clears the three point hitch truss. See Figure 10.

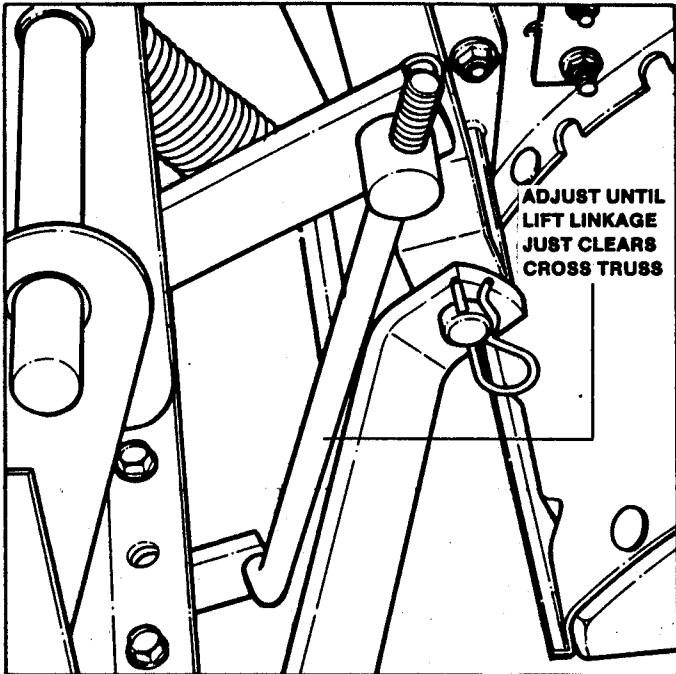


FIGURE 10

2. With engine off, release safety strap and lower tiller until the tines rest on the ground. Engage the tine clutch and check the clearance between the tine clutch and the center stabilizer bar. It should be 1/4" to 3/8". See Figure 11.

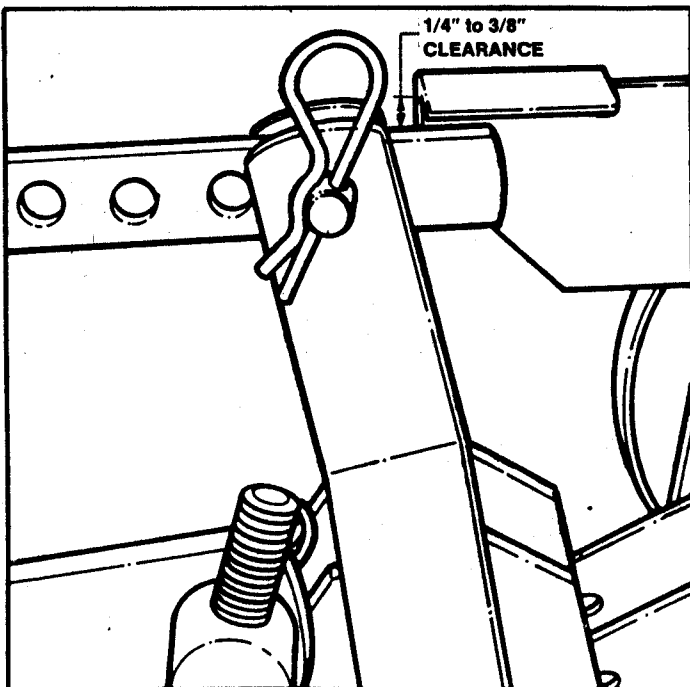


FIGURE 11

- A. To adjust for proper clearance between tine clutch and center stabilizer bar, loosen the engine mounting bolts and slide engine back for more clearance and forward for less clearance. Retighten engine mounting bolts after making adjustments.

3. To set desired tilling depth, remove the hair pin from the draft control and raise the hair pin for more depth. See Figure 12. After soil is pulverized, use more tension, (lower hair pin in control linkage) to prevent tractor from stalling.

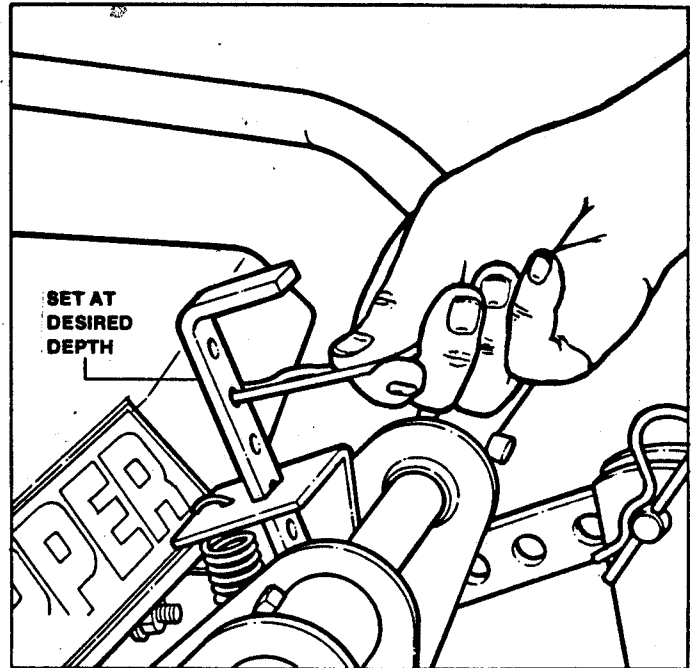


FIGURE 12

### Note:

After adjustments are made, make sure all guards, pins, etc. are in place before attempting any operation.

### IMPORTANT SERVICE NOTE!

A tiller is normally subject to considerable stress and vibration during operation. To prevent unnecessary damage to the tiller and or tractor, inspect mounting hardware before each start up and after at least every 4 hours of operation to insure that all bolts and nuts are securely tightened.

# Operation and Adjustments

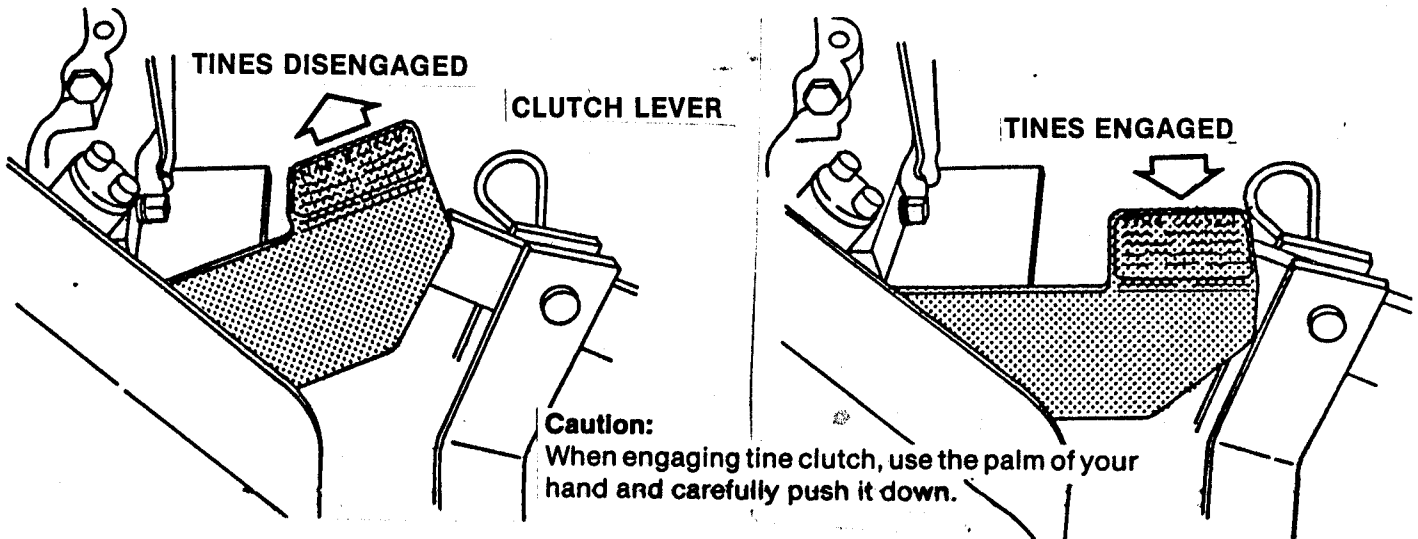


FIGURE 13

## Operation

1. Before starting tiller engine, refer to engine "OWNER'S MANUAL". Refer to tractor manual for proper operation.
2. Tine clutch is completely disengaged when clutch lever is lifted away from the center stabilizer bar and locks into position (approximately 45°). Refer to Figure 13. The tine clutch is in the automatic mode, when engaged to the lowest (horizontal) position. To begin tilling, engage tine clutch and lower tiller with the lift handle. To stop tilling, raise tiller completely and secure safety strap to fender and dis-engage the tine clutch.
3. Operate tractor in low range (first gear) at approximately half-throttle. See tractor's "OWNER'S MANUAL".  
**Caution:**  
At all times during operation of the Model TA 520 Tiller Attachment, the operator **MUST** keep his hand on the lift handle to maintain control of tiller. See Figure 14.
4. The SNAPPER Model TA 520 TILLER ATTACHMENT is designed to mount on the tractor for "Center to out" work, eliminating tire tracks in the tilled soil.



FIGURE 14

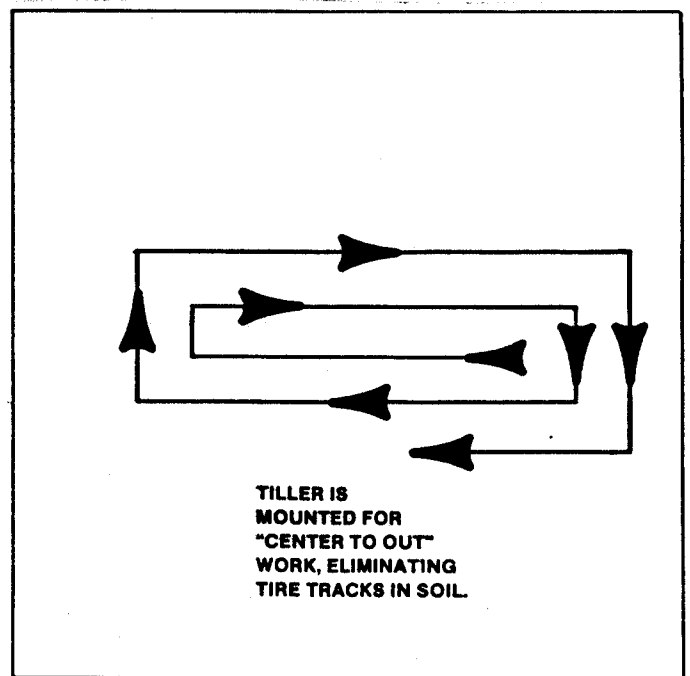


FIGURE 15

## MANUFACTURER'S 2 YEAR LIMITED WARRANTY

For two (2) Years from purchase date for the original purchaser's residential, non-commercial use [ninety (90) days from purchase date for the original purchaser's commercial, rental, or other non-residential use], SNAPPER POWER EQUIPMENT, through any SNAPPER dealer will replace, free of charge, any part or parts found upon examination by the factory at McDonough, Georgia, to be defective in material or workmanship or both.

All transportation cost incurred by the purchaser in submitting material to a SNAPPER dealer for replacement under this warranty must be borne by the purchaser.

This warranty does not apply to engines and their components, as these items are warranted separately by their manufacturers, and does not apply to batteries which are covered separately. This warranty does not apply to parts that have been damaged by accident, alteration, abuse, improper lubrication, normal wear, or other cause beyond our control.

There is no other express warranty.

Implied warranties, including those of merchantability and fitness for a particular purpose, are limited to two (2) years from purchase date for the original purchaser's residential, non-commercial use [ninety (90) days from purchase for the original purchaser's commercial, rental or other non-residential use], and to the extent permitted by law any and all implied warranties are excluded. This is the exclusive remedy. Liabilities for consequential damages, under any and all warranties are excluded.

Some states do not allow limitations on how long an implied warranty lasts, or do not allow the exclusion or limitation of incidental or consequential damages, so the above limitation or exclusion may not apply to you.

This warranty gives you specific legal rights, and you may also have other rights which vary from state to state.

**WARNING: THE USE OF REPLACEMENT PARTS OTHER THAN GENUINE SNAPPER PARTS MAY IMPAIR THE SAFETY OF SNAPPER PRODUCTS AND WILL VOID ANY LIABILITY AND WARRANTY BY SNAPPER ASSOCIATED WITH THE USE OF SUCH PARTS.**

**IMPORTANT:** Please fill out the attached SNAPPER Product Registration Card immediately and mail to: SNAPPER POWER EQUIPMENT, McDONOUGH, GEORGIA 30253



**SNAPPER POWER EQUIPMENT**  
McDonough, GA • 30253



## Free Manuals Download Website

<http://myh66.com>

<http://usermanuals.us>

<http://www.somanuals.com>

<http://www.4manuals.cc>

<http://www.manual-lib.com>

<http://www.404manual.com>

<http://www.luxmanual.com>

<http://aubethermostatmanual.com>

Golf course search by state

<http://golfingnear.com>

Email search by domain

<http://emailbydomain.com>

Auto manuals search

<http://auto.somanuals.com>

TV manuals search

<http://tv.somanuals.com>