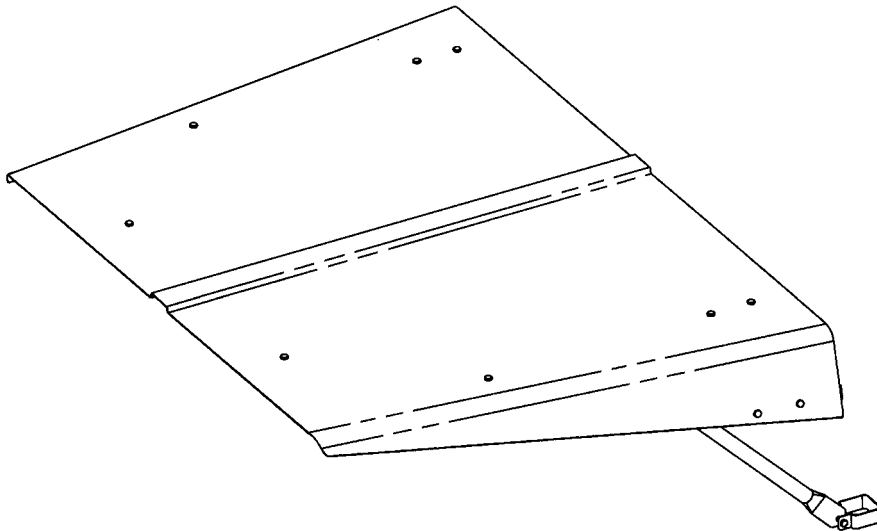


Parts Manual for

SNAPPER®

SUNSHADE KIT (UTILITY VEHICLE)

MODEL
63151
7063151



SNAPPER® McDonough, GA, 30253 U.S.A.

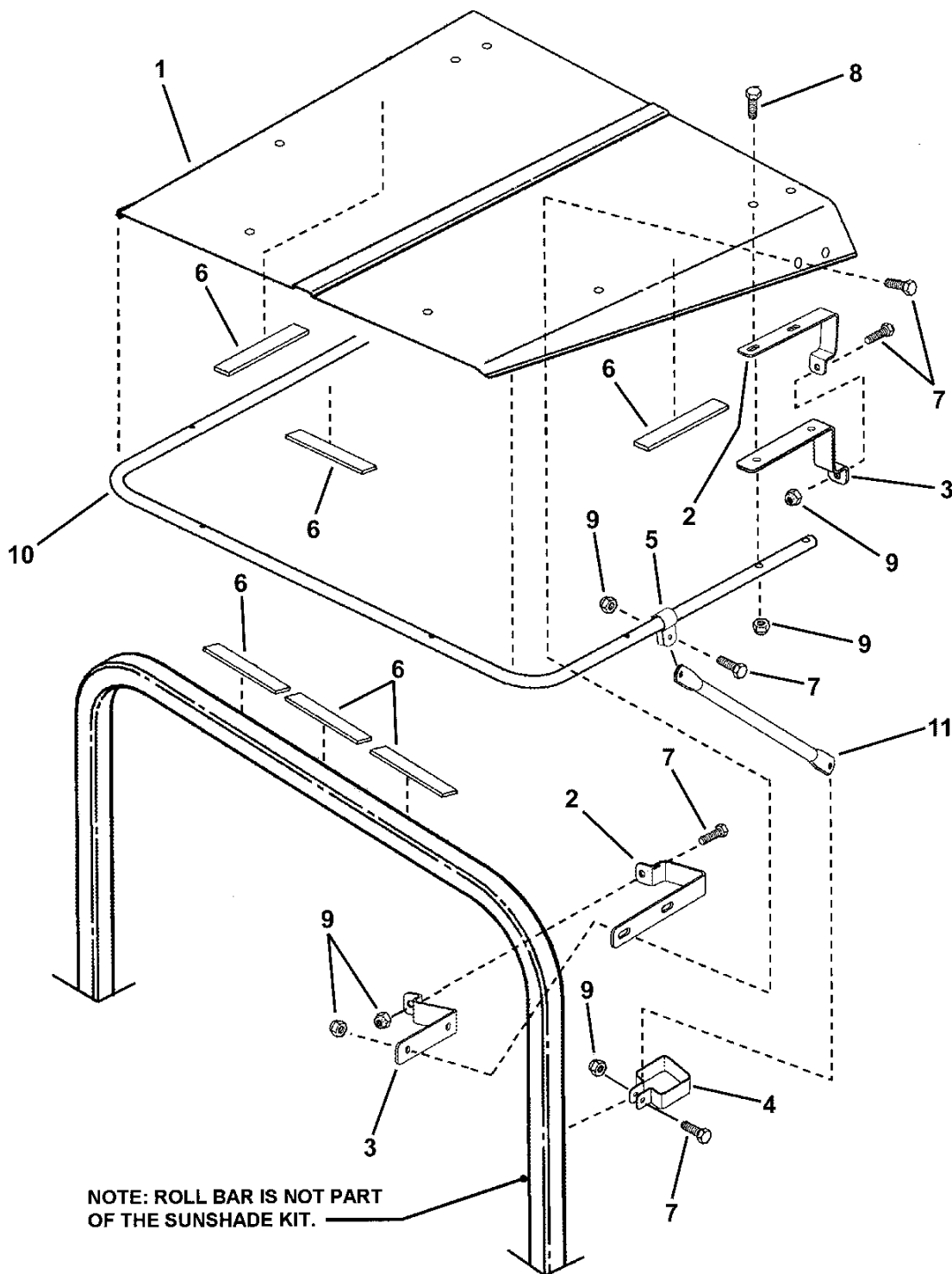
COPYRIGHT © 2005
SNAPPER PRODUCTS, INC.
ALL RIGHTS RESERVED.

Revision 1, 8/5/2005

Manual No. 7063151
TP 400-5029-1-AT-N

PAGE	GROUP
4	Grounds Cruiser Sun Shade Kit

SUNSHADE KIT (63151) for SNAPPER Grounds Cruiser Ser 0



Grounds Cruiser Sun Shade Kit

Item	Part No	Qty	Description	Note
1	7073168	1	SUNSHADE	
2	7073301	4	CLAMP BRACKET, Upper	
3	7073302	4	CLAMP BRACKET, Lower	
4	7073303	2	CLAMP, ROPS Side Tube	
5	7073304	2	CLAMP, Round Sunshade Tube	
6	7045297	6	STRIP, Sponge Rubber	
7	7027230	12	SCREW, 1/4-20 x 1" Hex Head Cap, GR5	Was 91059
8	7090639	8	SCREW, 1/4-20 x 1-1/2" Hex Head Cap w/Nylon Patch, GR5	
9	7076978	20	NUT, 1/4-20 Nyloc	
10	7073169	1	TUBE, 7/8" O.D. Sunshade Frame	
11	7072365	2	BRACE, Sunshade Side Tube	
--	7073813	1	INSTRUCTION SHEET, Sunshade Kit	

Footnotes:

- The Sunshade is not a work platform.
- DO NOT stand or sit on Sunshade.
- DO NOT haul or suspend items on Sunshade.
- DO NOT carry passengers on Sunshade.

Parts Manual for

SNAPPER[®]

SUNSHADE KIT (UTILITY VEHICLE)

IT IS THE POLICY OF SNAPPER TO IMPROVE ITS PRODUCTS
WHENEVER IT IS POSSIBLE AND PRACTICAL TO DO SO. WE
RESERVE THE RIGHT TO MAKE CHANGES OR ADD IMPROVEMENTS
AT ANY TIME WITHOUT INCURRING ANY OBLIGATION TO MAKE
SUCH CHANGES ON PRODUCTS MANUFACTURED PREVIOUSLY.

SNAPPER McDonough, GA, 30253 U.S.A.

Free Manuals Download Website

<http://myh66.com>

<http://usermanuals.us>

<http://www.somanuals.com>

<http://www.4manuals.cc>

<http://www.manual-lib.com>

<http://www.404manual.com>

<http://www.luxmanual.com>

<http://aubethermostatmanual.com>

Golf course search by state

<http://golfingnear.com>

Email search by domain

<http://emailbydomain.com>

Auto manuals search

<http://auto.somanuals.com>

TV manuals search

<http://tv.somanuals.com>