

Parts Manual for
SNAPPER®

YARD VACUUM HOSE KIT

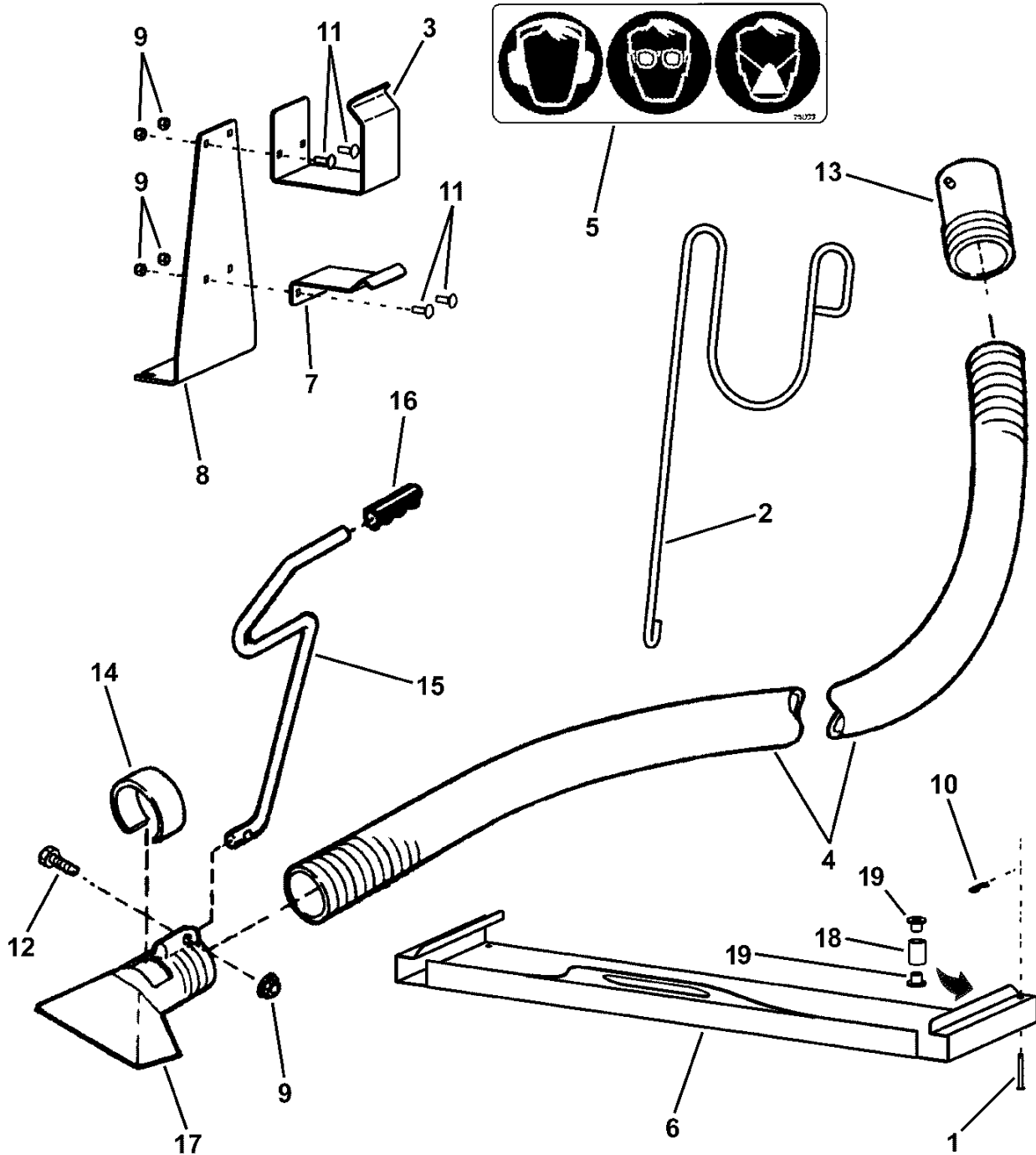
MODEL
7063344



SNAPPER® McDonough, GA, 30253 U.S.A.

PAGE	GROUP
4	YARD VACUUM HOSE KIT

YARD VACUUM HOSE KIT



YARD VACUUM HOSE KIT

Item	Part No	Qty	Description	Note
1	7023645	2	PIN, 3/16 x 1-1/2" Clevis	
2	7072434	1	ROD, Hose/Handle Holder	
3	7072435	1	BRACKET, Upper Hose Clamp	
4	7072436	1	HOSE, 8" Dia. X 8' Long	
5	7075893	1	DECAL, Personal Protection	
6	7075957	1	BRACKET, Inlet Shutoff	
7	7075958	1	BRACKET, Lower Hose Clamp	
8	7075959	1	BRACKET, Hose Clamp Support	
9	7076978	5	NUT, 1/4-20 Hex Nyloc	
10	7091310	2	HAIR PIN, #13	
11	7091776	4	BOLT, 1/4-20 x 3/4" Square Neck Carriage, GR5	
12	7091814	1	SCREW, 1/4-20 x 1-1/4" Hex Head Cap	
13	1023100	1	COUPLER, Hose (Plastic)	
14	1024100	1	RING, Shut Off (Plastic)	
15	1026100	1	HANDLE	
16	1028100	1	GRIP, Handle (Black Vinyl)	
17	1030100	1	NOZZLE, Vacuum (Plastic)	
18	7029973	2	SPACER	
19	7014343	4	BUSHING, Flange	

Footnotes:

Parts Manual for

SNAPPER®

YARD VACUUM HOSE KIT

IT IS THE POLICY OF SNAPPER TO IMPROVE ITS PRODUCTS WHENEVER IT IS POSSIBLE AND PRACTICAL TO DO SO. WE RESERVE THE RIGHT TO MAKE CHANGES OR ADD IMPROVEMENTS AT ANY TIME WITHOUT INCURRING ANY OBLIGATION TO MAKE SUCH CHANGES ON PRODUCTS MANUFACTURED PREVIOUSLY.

SNAPPER McDonough, GA, 30253 U.S.A.

Free Manuals Download Website

<http://myh66.com>

<http://usermanuals.us>

<http://www.somanuals.com>

<http://www.4manuals.cc>

<http://www.manual-lib.com>

<http://www.404manual.com>

<http://www.luxmanual.com>

<http://aubethermostatmanual.com>

Golf course search by state

<http://golfingnear.com>

Email search by domain

<http://emailbydomain.com>

Auto manuals search

<http://auto.somanuals.com>

TV manuals search

<http://tv.somanuals.com>