



# HGW-308R-W Wall Mountable Micathermic Heater w/ Remote



3092402

*Model No. HGW-308R-W*

© 2007 Soleus Air International

Thank you for choosing a Soleus Air Micathermic heater. This owner's manual will provide you with valuable information necessary for the proper care and maintenance of your new product. Please take a few moments to thoroughly read the instructions and familiarize yourself with all the operational aspects of your new Soleus Air Micathermic heater.

For your own records, please attach a copy of your sales receipt to this manual. Also, write the store name/location, date purchased, and serial number below:

Store Name: \_\_\_\_\_

Location: \_\_\_\_\_

Date Purchased: \_\_\_\_\_

Serial Number (located on back of unit): \_\_\_\_\_

## IMPORTANT INSTRUCTIONS

**Before using your Soleus Air personal heater, please read this owner's manual carefully. Store this manual in a safe place for future reference.**

1. Read ALL instructions before using this unit.
2. CAUTION: Risk of Electric Shock. DO NOT open or try to repair the heater yourself.
3. This heater is hot when in use. To avoid burns, DO NOT let bare skin touch hot surfaces. If provided, use handles when moving this heater.
4. Keep combustible materials, such as furniture, pillows, bedding, paper, clothes, and curtains at least 3 ft from the front of the heater and keep them away from the sides and rear. DO NOT place towels or other objects on the heater.
5. Extreme caution is necessary when any heater is used by or near children or the disabled, or when the heater is left operating and unattended.
6. DO NOT operate any heater with a damaged cord or after the heater malfunctions, has been dropped or damaged in any manner. Return heater to authorized service facility for examination, electrical or mechanical adjustment, or repair.
7. This heater is not intended for use in bathrooms, laundry areas and similar indoor locations. NEVER locate heater where it may fall into a bathtub or other water container. To protect against electrical hazards, DO NOT immerse in water or other liquids.
8. DO NOT touch the control panel or plug with a wet hand.
9. DO NOT run cord under carpeting. DO NOT cover cord with throw rugs, runners, or similar coverings. Arrange cord away from traffic area and where it will not be tripped over.
10. DO NOT insert or allow foreign objects to enter any ventilation or exhaust opening as this may cause an electric shock or fire, or damage the heater.
11. To prevent a possible fire, DO NOT block air intakes or exhaust in any manner. DO NOT use on soft surfaces, like a bed, where openings may become blocked.

12. A heater has hot and arcing or sparking parts inside. DO NOT use in areas where gasoline, paint, explosive and/or flammable liquids are used or stored. Keep unit away from heated surfaces and open flames.
13. Avoid the use of an extension cord because the extension cord may overheat and cause a risk of fire. However, if you have to use an extension cord, the cord shall be No16.AWG minimum size and rated not less than 1500W.
14. To avoid fire or shock hazard, plug the unit directly into a 120 V AC electrical outlet.
15. To disconnect heater, turn controls to OFF, then remove plug from outlet. Pull firmly on the plug, DO NOT unplug by pulling on the cord.
16. Always unplug the unit before moving or cleaning, or whenever the heater is not in use.
17. Use only for intended household use as described in this manual. Any other use not recommended by the manufacturer may cause fire, electric shock, or injury to persons. The use of attachments not recommended or sold by unauthorized dealers may cause hazards.
18. Always use on a dry, level surface.
19. DO NOT use outdoors.
20. WARNING: To reduce the risk of fire or electric shock, DO NOT use this unit with any solid-state speed control device.
21. DO NOT attempt to repair or adjust any electrical or mechanical functions on this unit. Doing so will void your warranty. The inside of the unit contains no user serviceable parts. Qualified personnel should perform all servicing only.
22. Connect to properly grounded outlets only.
23. SAVE THESE INSTRUCTIONS.

## PRODUCT INFORMATION & SPECIFICATIONS

Micathermic heating technology combines two popular heating technologies to create the ideal room heater. Using radiant and convection heat, Micathermic heaters are able to achieve full power within minutes and provide a consistent and comfortable silent heat without causing dry spots.

Voltage Rating	120 V (60Hz)
Power Consumption	1000 (ECO) /1000 (LOW) /1500W (HIGH)
Unit Size	24.6 in. (W) x 8.5 in. (D) x 22.5 in. (H)
Unit Weight	11 lbs

## DISCLAIMER

**ALL INFORMATION AND THE TECHNICAL SPECIFICATIONS PRESENTED IN THIS USER'S MANUAL ARE THE PRESENTATION OF THE MANUFACTURER. SOLEUS INTERNATIONAL HAS NOT CONDUCTED INDEPENDENT TEST TO THE INFORMATION AND THE SPECIFICATIONS PRESENTED HEREWITHIN.**

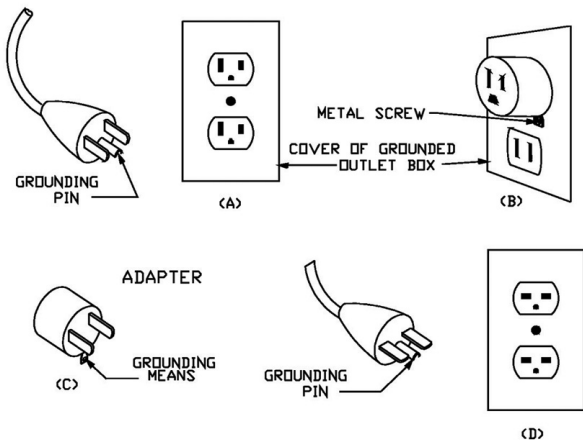
## SAFETY FEATURES

### Tip-Over Safety Feature

This heater is equipped with a tip-over safety feature. Once the heater is tipped over, an internal switch will automatically shut the heater off. Once the heater is restored to an upright position, the heater will reset. To continue operation, turn on the heater using the supplied remote control or the control panel on the heater.

### Overheat Safety Feature

This heater is equipped with an overheat safety feature. When the heater's internal components reach a certain temperature that could cause overheating and possibly fire, the heater will automatically shut off. To reset the heater, unplug the heater power cord from the electrical outlet for 10 minutes. After 10 minutes, plug the heater into the electrical outlet and turn on using the supplied remote control or the control panel on the heater.



**WARNING:** This heater is for use on 120 volts. The cord has a plug as shown in A. An adapter as shown in C is available for connecting three-blade grounding-type plugs to two-slot receptacles. The grounding lug extending from the adapter must be connected to a permanent ground such as a properly grounded outlet box. The adapter should not be used if a three-slot grounded receptacle is available.

**DO NOT DEFEAT THE SAFETY PURPOSE OF THE GROUNDED PLUG.**

**WARNING:** It is normal for the power cord to feel warm to the touch; however, a loose fit between the outlet and the plug may cause overheating of the plug. If this occurs, try inserting the plug into a different outlet. Contact a qualified electrician to inspect the original outlet for damage.

## IN THE BOX

- MICATHERMIC HEATER
- REMOTE CONTROL
- REMOTE CONTROL BATTERY
- INSTRUCTION BOOKLET
- WALL MOUNTING BRACKET
- 4 - DRY WALL ANCHORS
- 4 - MOUNTING SCREWS
- 2 - LEGS
- 2 - LEG SCREWS
- 2 - MEDIUM BLACK SPRING WASHERS
- 2 - MEDIUM GREY WASHERS
- 4 - WHEELS
- 4 - WHEEL SCREWS
- 4 - SMALL BLACK SPRING WASHERS
- 4 - SMALL GREY WASHERS

## PRODUCT DIAGRAM

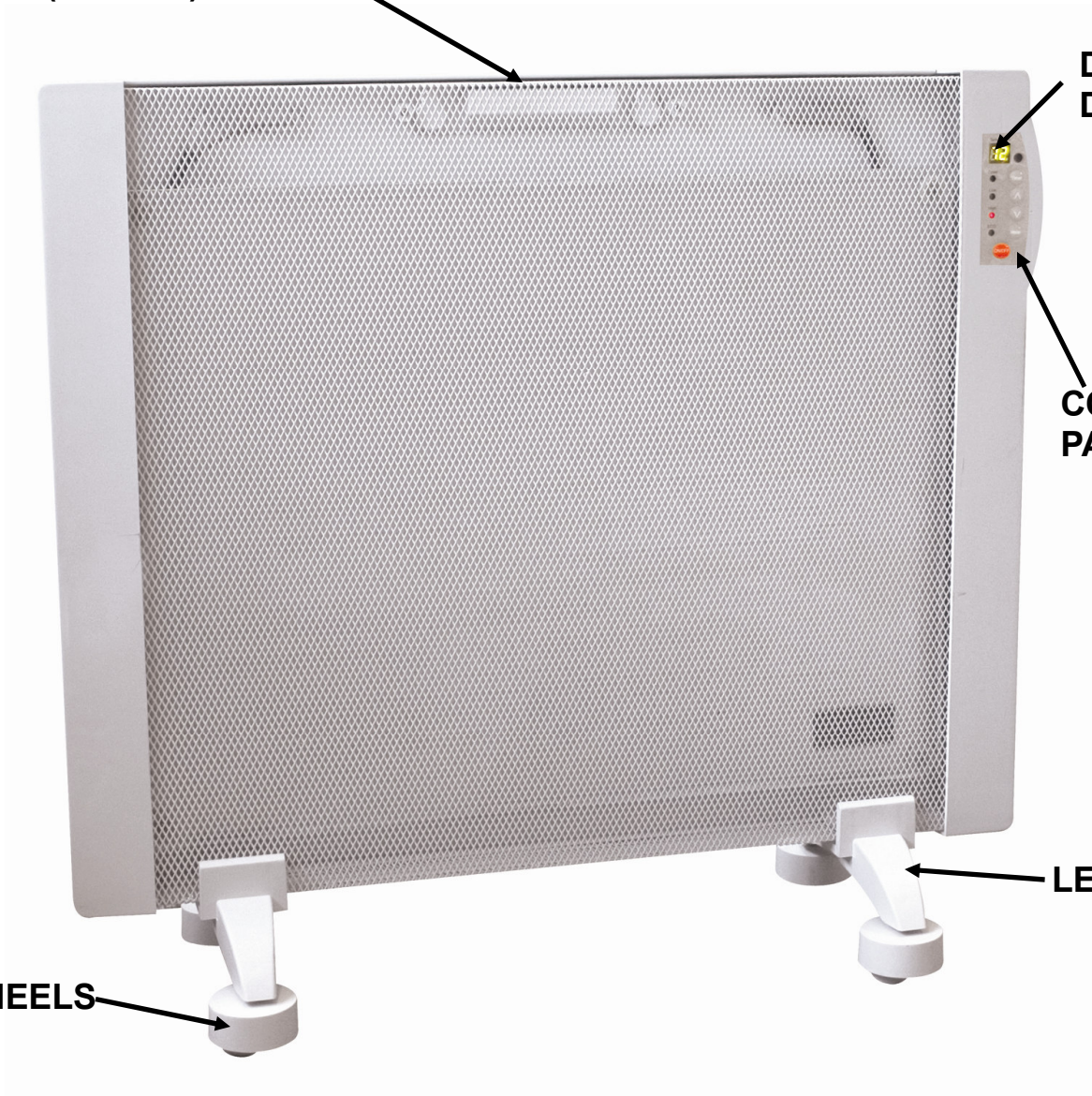
**CARRY HANDLE &  
WALL MOUNT  
(on back)**

**DIGITAL  
DISPLAY**

**CONTROL  
PANEL**

**LEGS**

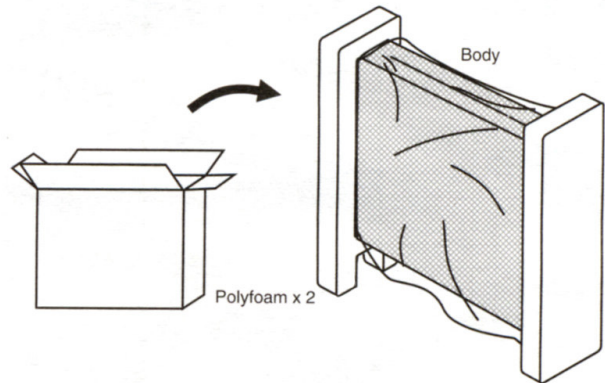
**WHEELS**



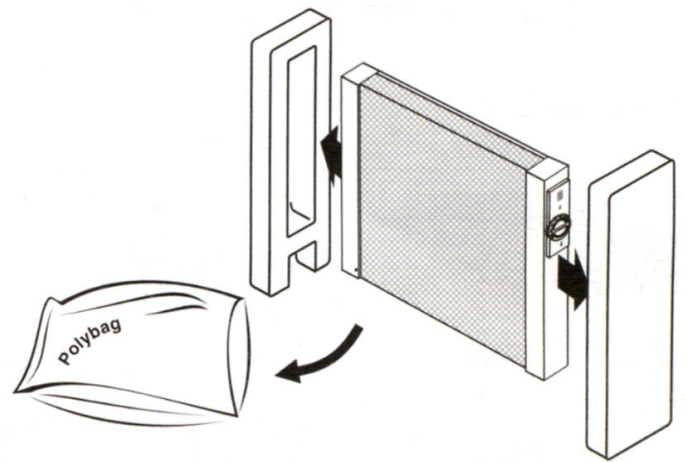
## ASSEMBLY - REMOVING THE HEATER FROM THE PACKAGING

Remove the heater from the box.

**NOTE:** Product drawings may slightly differ from actual product. Assembly and packaging are the same as depicted in the drawings



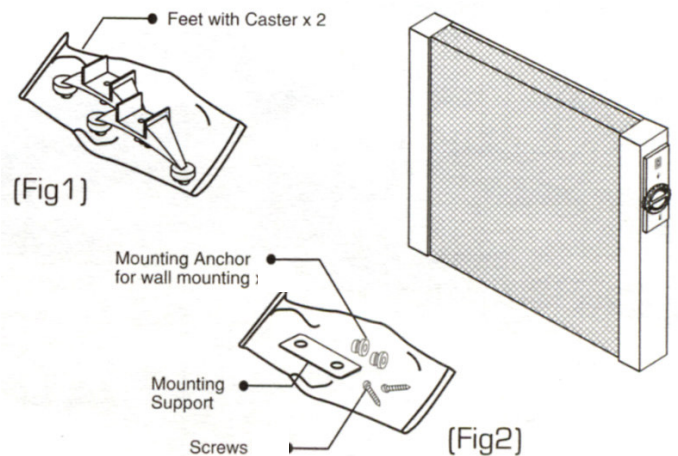
Remove the Styrofoam from both ends of the heater, and remove the plastic bag.



Remove the 2 remaining bags from the box..

One bag contains: feet with casters. [Fig 1]

The other bag contains:  
1 mounting support, 4 screws and 4 drywall anchors for wall mounting. [Fig 2]



Save the packaging for storing the heater while it is not in use or during summer months.

**Note:** If any part is damaged or missing, do not use or attempt installation. Contact customer service for a replacement.

## ASSEMBLY - INSTALLATION

### Required Tools for Floor Use:

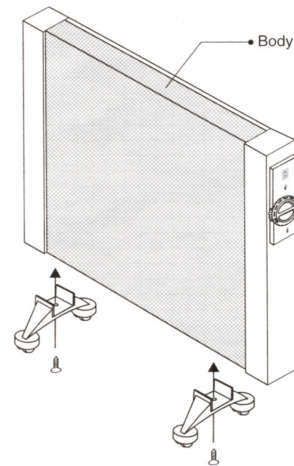
Phillips screwdriver (not supplied)

### Estimated Assembly Time for Floor Use:

**1 minute**

### Assembly Instructions for Floor Use:

Insert the feet and bolts onto the unit as shown in the diagram.



### Required Tools for Wall Mounting:

Phillips screwdriver (not supplied)

Drill (not supplied)

Hammer (not supplied)

### Estimated Mounting Time: 5 minutes

#### Mounting Instructions:

##### STEP 1

Using the mounting support as a guide, mark the first screw hole on the wall.

##### STEP 2

Move the mounting support, and drill the first screw hole.

##### STEP 3

Insert the first mounting anchor into the drilled hole.

##### STEP 4

Place the mounting support on the wall. Insert a screw through the mounting support and anchor. Tighten the screw lightly.

##### STEP 5

Use the other side of the mounting support to mark the second screw hole on the wall [approximately 5 7/16 in.].

##### STEP 6

Move the mounting support, and drill the second hole.

##### STEP 7

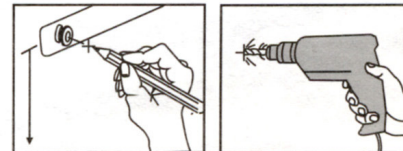
Insert the second mounting anchor into the drilled hole.

##### STEP 8

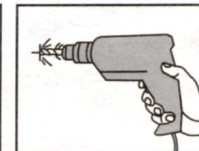
Place the mounting support on the wall. Insert the second screw through the mounting support and anchor. Firmly tighten both screws.

##### STEP 9

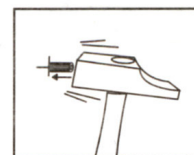
After mounting the heater, insert two screws into the bottom holes and secure the heater to the wall for safety purposes.



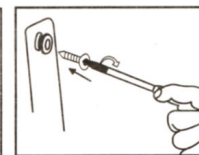
STEP 1



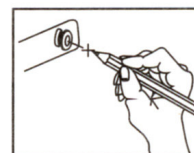
STEP 2



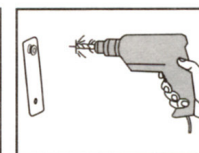
STEP 3



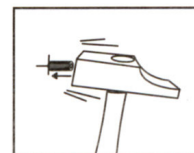
STEP 4



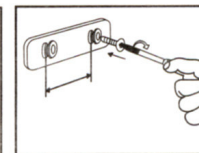
STEP 5



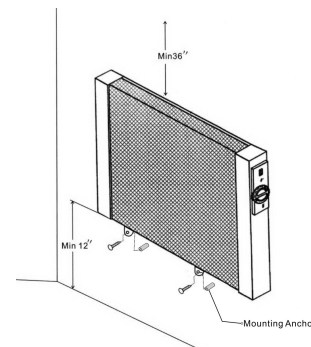
STEP 6



STEP 7



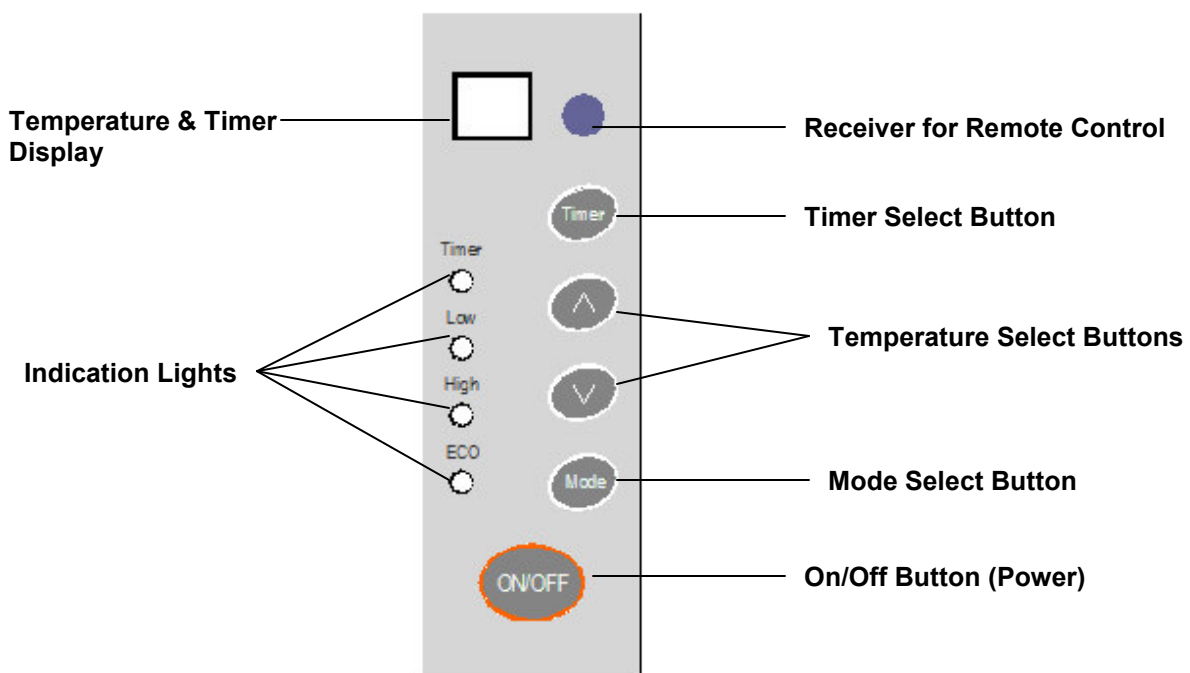
STEP 8



# OPERATING INSTRUCTIONS

## CONTROL PANEL & REMOTE OPERATION

1. Place the heater on a firm, level surface and plug into a grounded 120V 60Hz power outlet. Only operate heater in upright position with caster wheels attached.
2. Turn the heater on by pressing the On/Off button on the control panel or the supplied remote control.
3. Select a heat setting:  
On the control panel, press the MODE button to toggle between the two heat settings; LOW (1000W) or HIGH (1500W) . When using the remote control press the HIGH or LOW buttons to select the preferred power setting.
4. Adjust the thermostat by pressing the TEMPERATURE SELECT buttons (▲ or ▼) on the control panel or remote control. The digital readout will display the selected temperature.
5. Once you have chosen the desired temperature, the heater will remain on until the room temperature increases to the temperature on the digital display. The heater will cycle on and off to maintain the desired room temperature.
6. This heater is equipped with a 12-hour automatic shut-off timer. To activate the timer, press the TIMER button on the control panel or remote control. Each press of the timer button will increase the heater operating time by one hour. The digital readout will display the number of hours you have selected. To turn off the timer, simply press the TIMER button until the digital readout displays your current selected temperature. Once you have selected a shut off time, the heater will operate for the selected time, then automatically shut off.
7. The indication lights on the control panel communicate how the heater is operating. The TIMER light will turn-on when the timer is selected. When HIGH, LOW modes are selected, the corresponding lights will turn on accordingly.
8. Unplug the heater when not in use.





## **OPERATING INSTRUCTIONS (CONTINUED)**

### **OPTIMAL OPERATING CONDITIONS**

To get the most out of your Soleus Air Micathermic heater, follow these helpful hints:

1. All electric heaters are limited to maximum of 1500 watts (per UL and ETL requirements). Due to this limitation all electric heaters can heat approximately 150 square feet. Micathermic heaters fit in this category, but they are able to provide a more comfortable and consistent heat than other heating technologies.
2. For optimal performance, place the heater in a room and close all windows and doors. This will confine the heat to the area that needs it most.
3. To save energy and in turn save money in the winter, place the heater in a room or area that needs extra heat instead of raising the thermostat on your central heating system. This heater will function very well as an additional heating source and can easily maintain the temperature in most rooms and attached bathrooms. There is no need to increase the heat in the entire house when you only need comfort in the room in which you are currently located.

### **ABOUT ECO MODE**

ECO mode is an energy saving function that limits the amount of electricity consumed by the heater. Once the heater reaches a preset temperature, ECO mode will automatically turn on. Once ECO mode is on, the heater will decrease energy consumption to 1000 watts while still maintaining the set temperature on the digital thermostat.

---

## MAINTENANCE

1. Unplug the unit and let it cool completely.
2. To keep the heater clean, the outer shell may be cleaned with a soft, damp cloth. You may use a mild detergent if necessary. After cleaning, dry the unit with a soft cloth. **CAUTION: DO NOT** let liquid enter the heater.
3. **DO NOT** use alcohol, gasoline, abrasive powders, furniture polish, or rough brushes to clean the heater. This may cause damage or deterioration to the surface of the heater.
4. **DO NOT** immerse the heater in water.
5. Wait until the unit is completely dry before use.

---

## STORAGE

Store the heater in a cool, dry location when not in use. If available, use the retail packaging and pack up the heater to prevent dust from collecting on and inside the heater.

---

## TROUBLESHOOTING

If the heater will not operate, please check the following before seeking repair of service:

1. Check if the power cord is plugged into an electrical outlet, if not, plug in.
2. Check if electricity to the main fuse is working.
3. Check if the heater is set to ON by confirming the light on the control panel is lit. If not, press the POWER button to turn on the unit.
4. Check if the heater is on a level surface. If the tip-over safety mechanism inside the heater is engaged the heater will not run.
5. The room temperature has reached the temperature on the digital display of the heater. Increase the temperature on the display so the heater will continue operation or wait for the room temperature to drop below the set temperature on the heater.

---

## WARRANTY

### One Year Limited Warranty

Soleus International Inc. warrants the accompanying Soleus Air heater to be free of defects in material and workmanship for the applications specified in its operation instruction for a period of ONE (1) year from the date of original retail purchase in the United States.

If the unit exhibits a defect in normal use, Soleus International Inc. will, at its option, either repair or replace it, free of charge within a reasonable time after the unit is returned during the warranty period.

As a condition to any warranty service obligation, the consumer must present this Warranty Certificate along with a copy of the original purchase invoice.

### THIS WARRANTY DOES NOT COVER:

- Damage, accidental or otherwise, to the unit while in the possession of a consumer not caused by a defect in material or workmanship.
- Damage caused by consumer misuse, tampering, or failure to follow the care and special handling provisions in the instructions.
- Damage to the finish of the case, or other appearance parts caused by wear.
- Damage caused by repairs or alterations of the unit by anyone other than those authorized by Soleus International Inc.
- Freight and Insurance cost for the warranty service.

ALL WARRANTIES, INCLUDING ANY IMPLIED WARRANTY OF MERCHANT ABILITY ARE LIMITED TO ONE-YEAR DURATION OF THIS EXPRESS LIMITED WARRANTY. **SOLEUS INTERNATIONAL INC.** DISCLAIMS ANY LIABILITY FOR CONSEQUENTIAL OR INCIDENTAL DAMAGES AND IN NO EVENT SHALL SOLEUS INTERNATIONAL INC'S LIABILITY EXCEED THE RETAIL VALUE OF THE UNIT FOR BREACH OF ANY WRITTEN OR IMPLIED WARRANTY WITH RESPECT TO THIS UNIT.

This warranty covers only new products purchased from our authorized dealers or retailers. It does not cover used, salvaged, or refurbished products.

As some states do not allow the limitation or exclusion of incidental or consequential damages, or do not allow limitation on implied warranties, the above limitations and exclusions may not apply to you. This warranty gives you specific legal rights, and you may also have other rights that vary from state to state.

### For Technical Support and Warranty Service

Please Call (888) 876-5387

Or Write To:

Soleus International Inc.  
9451 Telstar Ave.  
El Monte, CA 91731 USA  
[www.soleusair.com](http://www.soleusair.com)

## Free Manuals Download Website

<http://myh66.com>

<http://usermanuals.us>

<http://www.somanuals.com>

<http://www.4manuals.cc>

<http://www.manual-lib.com>

<http://www.404manual.com>

<http://www.luxmanual.com>

<http://aubethermostatmanual.com>

Golf course search by state

<http://golfingnear.com>

Email search by domain

<http://emailbydomain.com>

Auto manuals search

<http://auto.somanuals.com>

TV manuals search

<http://tv.somanuals.com>