



8,000 BTU Portable Air Conditioner, Dehumidifier and Fan

OWNER'S MANUAL
Model # MAC-8000



Please read owner's manual carefully before operating unit.

TABLE OF CONTENTS

INTRODUCTION	3
<i>IMPORTANT SAFEGUARDS</i>	3
LCDI POWER CORD AND PLUG	4
PRODUCT DIAGRAM	5
<i>FRONT</i>	5
<i>BACK</i>	5
<i>ACCESSORIES</i>	5
INSTALLATION	6
<i>SELECTING THE LOCATION</i>	6
<i>MOUNTING THE EXHAUST HOSE</i>	6
<i>WALL MOUNTING</i>	6
<i>WINDOW KIT INSTALLATION</i>	7
CONTROL PANEL	8
OPERATION	9
<i>COOLING</i>	9
<i>DEHUMIDIFYING</i>	9
<i>FAN</i>	9
<i>EMPTYING THE WATER BUCKET</i>	9
CONTINUOUS DRAINAGE	10
REMOTE CONTROL	10
MAINTENANCE	11
<i>CLEANING THE HOUSING</i>	11
<i>CLEANING THE FILTER</i>	11
END OF SEASON STORAGE	11
TROUBLESHOOTING	12
TECHNICAL SPECIFICATIONS	13
WARRANTY	14

INTRODUCTION

Thank you for purchasing the Soleus Air MAC-8000 8,000 BTU Portable Air Conditioner and Dehumidifier. This unit is designed to improve indoor living and working comfort by providing cooling, dehumidifying, and ventilation with minimal installation.

This multi-functional unit operates as an air conditioner, dehumidifier and fan. When operating as an air conditioner, this unit is designed for spot cooling or cooling a room no larger than 150 square feet with a standard eight foot ceiling height. When using this appliance, always exercise basic safety precautions.

Please complete the following information for future reference. Retain this owner's manual with your sales receipt as a permanent record of your purchase.

Serial Number: _____

Date of Purchase: _____

Place of Purchase: _____

IMPORTANT SAFEGUARDS

Before installing and using your portable air conditioner and heater, it is important that you read this owner's manual carefully. Store this manual in a safe place for future reference.

This instruction manual is used for guidance and does not form part of a contract. It reserves the right to make technical changes without prior notice.

1. Always place the unit on a level surface.
2. The appliance shall be installed in accordance with national wiring regulation.
3. The unit must be connected to a correctly grounded power supply. For your safety, this unit is grounded through the power cord plug when connected to a grounded wall outlet. Do not use an adapter plug or extension cord.
4. Do not install the unit in an area where gas leakage may occur and/or in an explosive atmosphere.
5. Do not apply an insecticide or any type of flammable spray on the unit.
6. Confirm drainage piping is connected properly.
7. Do not start or stop the unit by inserting or pulling out the power plug.
8. Do not operate with wet hands.
9. Close supervision is necessary when the unit is used near children. The unit is not intended for use by children.
10. Do not insert anything into the air outlet. Do not obstruct air inlet or outlet grills.
11. Do not expose skin or eyes directly to cool air for a long period of time.
12. If an abnormal odor or smoke comes out of the unit, disconnect the unit immediately and contact a qualified service technician. (see page 14)
13. When opening the filter cover, do not touch the metal parts in the unit's interior.
14. Do not immerse the unit in water or any type of liquid. Do not use the unit in the immediate surroundings of a bath, shower, or swimming pool, or in any other steamy, wet areas.
15. When cleaning the unit, always turn the unit off and unplug the power cord.
16. Always inspect the power cord for signs of damage before use. If the power cord is damaged, it must be replaced by the manufacturer or a qualified service technician.
17. Do not place a plant or allow a pet in the direct path of the airflow to avoid injury.
18. Do not put a stove, etc, where it would be exposed to the direct airflow. It may affect combustion.
19. Do not sit on the unit or place anything on it.
20. Do not dispose of the remote control in fire, the batteries inside may explode or leak.
21. Before storing, the water must be drained from the unit and the filters cleaned.

LCDI POWER CORD AND PLUG

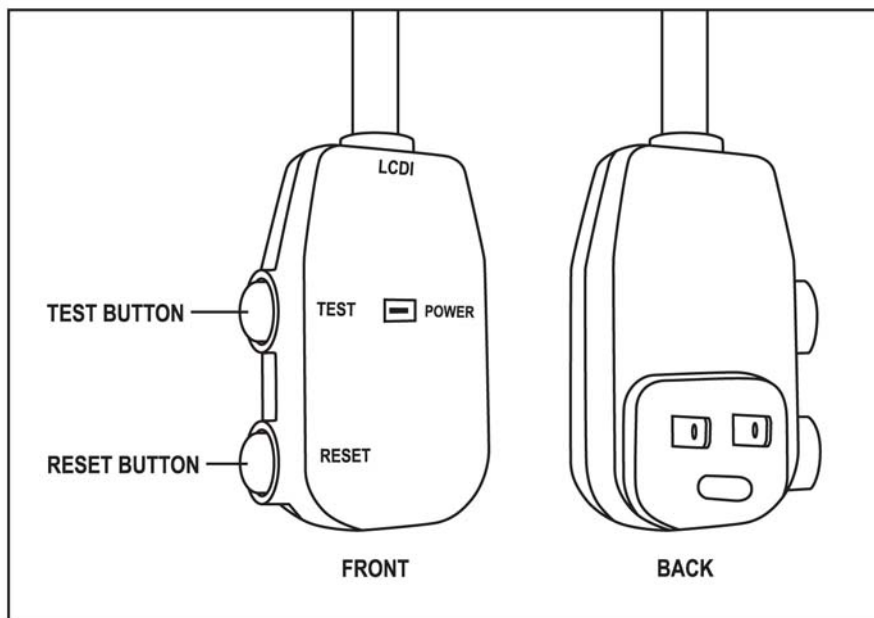
This air conditioner is equipped with an LCDI (Leakage Current Detection and Interruption) power cord and plug as required by US National Electric Code 440.65. This cord consists of a length of shielded flexible cord with no termination on the load side and a LCDI attachment plug on the line side.

The LCDI power cord and plug will remove the supply source via electrical disconnect (circuit trip) if the nominal current leakage between the cord shield and either load conductor exceeds a predetermined value. The cord will remain de-energized until the device has been manually reset. This is intended to reduce the risk of a fire in the power cord or combustible materials nearby. The cord shields are not grounded and they must be considered a shock hazard if exposed. The cord shield must not be connected to ground or to any exposed metal.

The test and reset buttons on the LCDI Plug are used to check if the plug is functioning properly. To test:

1. Plug power cord into wall outlet
2. Press TEST Button, circuit should trip, cutting power to the air conditioner
3. Press RESET button for use

If a test is performed and the indicator light remains ON, current leakage has been detected. Do not use the air conditioner or attempt to reset the LCDI Plug. Contact Soleus Air Customer Service for troubleshooting recommendations.



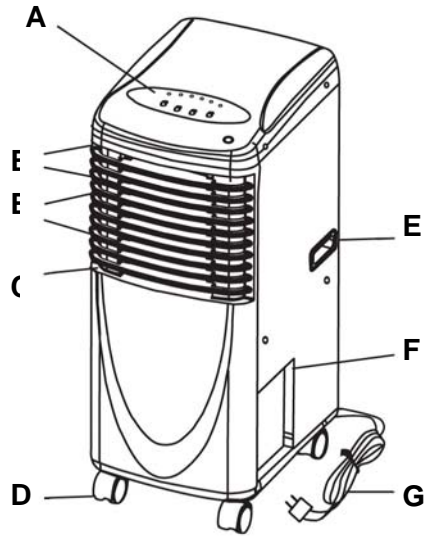
WARNING:

1. DO NOT press TEST button while the air conditioner is operating.
2. The TEST and RESET buttons should not be used as "ON" and "OFF" switches.
3. The cord and plug are not intended to offer protection to externally connected loads or supply circuits.
4. The cord and plug are intended for indoor use only.

PRODUCT DIAGRAM

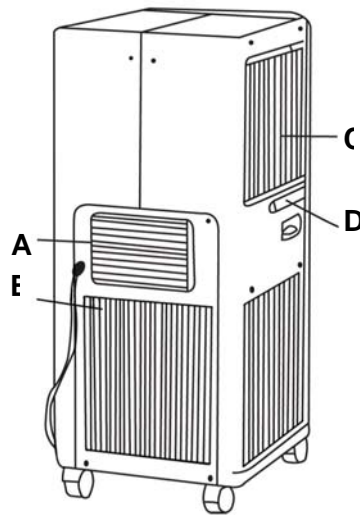
FRONT

- A. Control panel
- B. Interior Louvers
- C. Exterior Louvers
- D. Casters
- E. Recessed Handle
- F. Water Bucket
- G. Power Cable and Plug



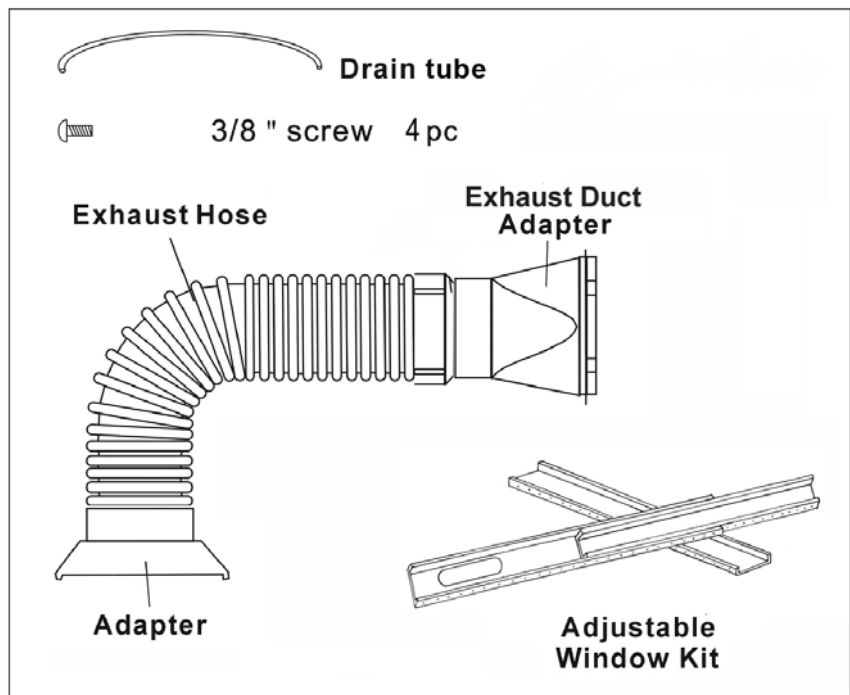
BACK

- A. Hot air outlet grill
- B. Air inlet grill
- C. Filter
- D. Drain Valve



ACCESSORIES

- Flexible exhaust hose and window exhaust adapter
- 3-Piece adjustable window kit
- Drain tube
- 4 3/8" screws



INSTALLATION

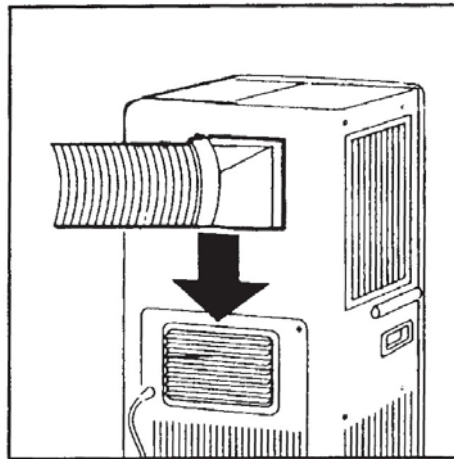
SELECTING THE LOCATION

Place the unit in a flat location where the air outlets are not obstructed. Place the unit at least 20" (50cm) away from a wall or other obstacle.

MOUNTING THE EXHAUST HOSE

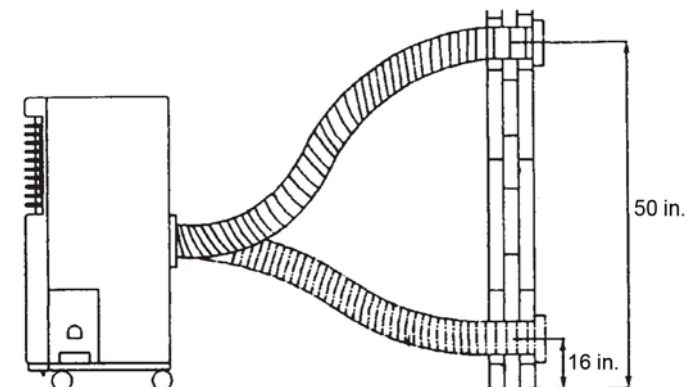
Slide the square end of the exhaust duct over the hot air outlet on the back of the unit.

The exhaust hose should be kept as short and straight as possible. Prevent any sharp bends in the exhaust hose, as this will trap hot exhaust air.



WALL MOUNTING

The hot exhaust air can be vented through the wall or out a window. If mounting in the wall, the height of the hole should be 16 to 50 inches (40cm to 130cm).

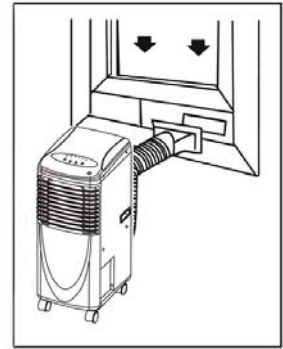
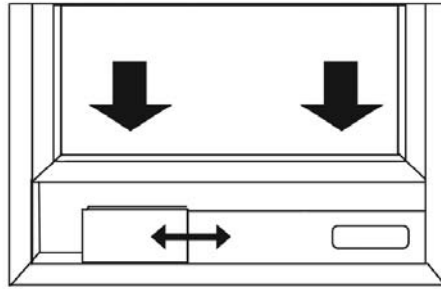


WINDOW KIT INSTALLATION

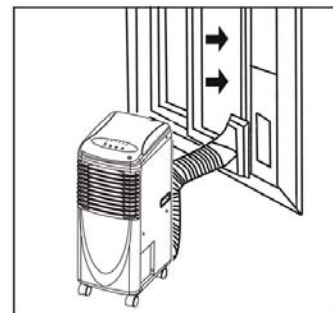
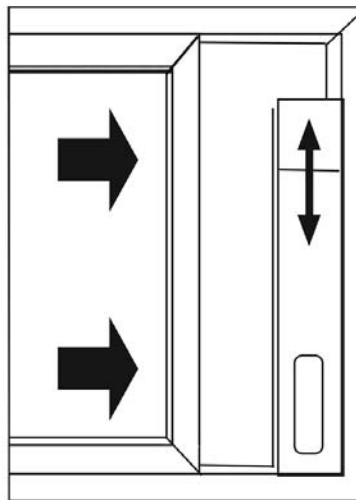
The window kit is designed to fit into most standard vertical and horizontal windows. However, it may be necessary to modify some aspects of the installation process for certain window types.

1. Open the window or sliding door and adjust the length of the window kit to fit the opening. Mark and cut down a single panel of the window kit if necessary.
2. Place the window kit between the window and the window frame as shown in the images to the right. Close the window onto the window kit to form a tight seal.
3. Attach the exhaust duct adapter to the window kit. Tabs located on the adapter will lock into place securing the adapter to the window kit.

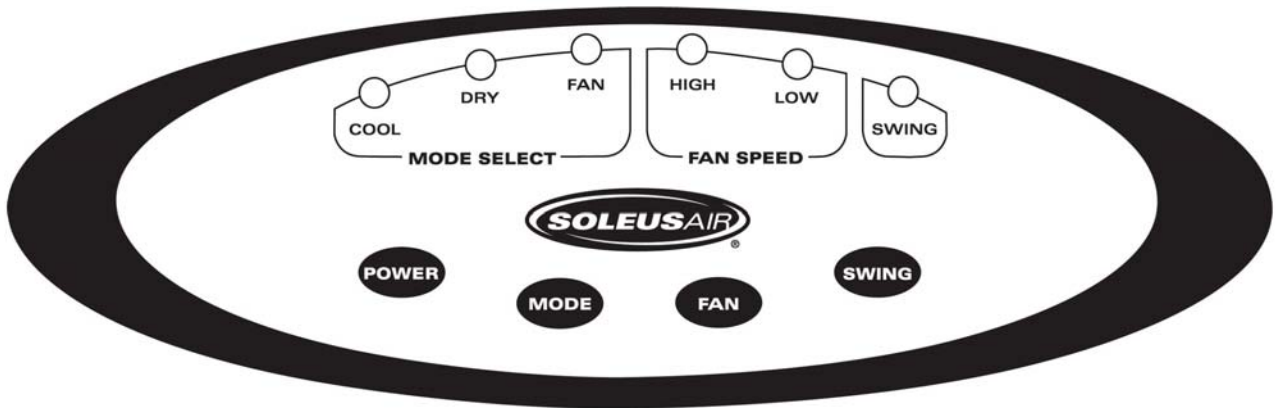
HORIZONTAL WINDOW



VERTICAL WINDOW



CONTROL PANEL



POWER Button	Press this button to turn the unit on or off.
MODE Button	Press this button to select among the modes of cooling, dehumidifying, or fan only.
FAN Button	Press this button to select the desired fan speed.
SWING Button	Press this button to oscillate the louvers or stop oscillation.

OPERATION

Plug the power cord into a properly grounded outlet. Do not connect the unit to an outlet that is also being used for other electrical appliances. The unit will beep after two seconds, then press the on/off button to begin operation.

COOLING

1. Press the Mode Button to choose the cooling function.
2. Press the Fan Speed Button to choose the desired fan speed.
3. Press the Swing Button to select a steady airflow or oscillation.
 - In order to improve cooling efficiency, draw the curtains in a room exposed to direct sunlight.
 - Do not place near a heat source.

DEHUMIDIFYING

1. Press the Mode Button to choose the dehumidifying function.
 - In the Dehumidifying Mode, the fan speed cannot be adjusted.
 - Ensure that the water bucket is properly placed in the unit.
 - When the unit is used as a dehumidifier only, do not use the exhaust duct.
 - Keep the windows and doors closed to aid in effectively dehumidifying the room.

FAN

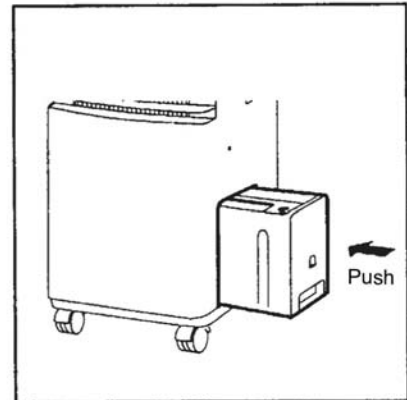
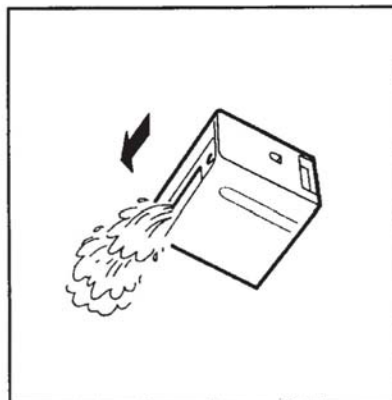
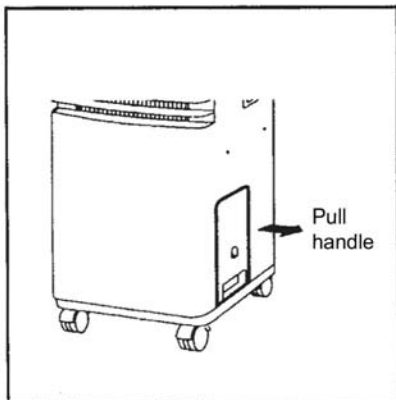
1. Press the Mode Button to choose the fan function.
2. Press the Fan Speed Button to choose the desired fan speed.
3. Press the Swing Button to select a steady airflow or oscillation.

EMPTYING THE WATER BUCKET

When the unit is in cooling mode, unwanted water is extracted from the air. When the water bucket is full, the compressor will stop but the fan will continue to run.

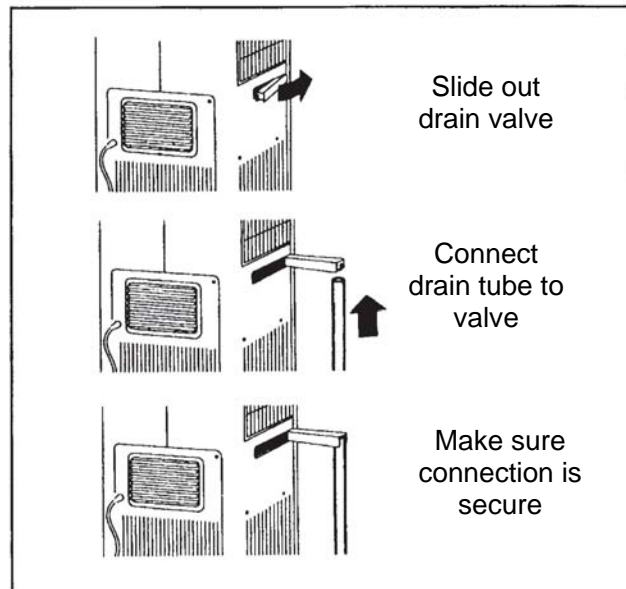
To resume operation, empty the water bucket according to the following steps:

1. Turn the unit off. Do not move the unit when the water container is full.
2. Using the handle, slowly remove the water bucket from the unit.
3. Pour out any water accumulated in the bucket.
4. Wash the water bucket using warm water and a mild dishwasher detergent.
5. Allow the bucket to dry completely
6. Replace the water bucket in the unit.



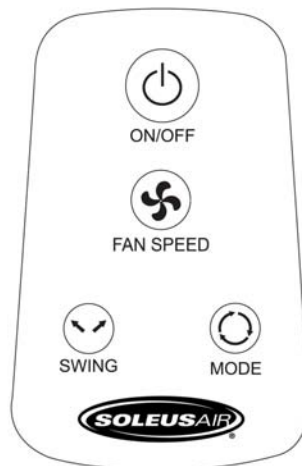
CONTINUOUS DRAINAGE

1. Slide out the drain valve from the left side of the unit.
2. Connect the drain tube to the valve.
3. Make sure the drain tube drains downward.
4. Place a pan or bucket under the drain tube to hold the condensate water, or let the tube drain down a gravity drain.



REMOTE CONTROL

The provided remote control operates all of the functions of the unit. The remote control uses one lithium battery (provided). Install the battery before using the remote control.



MAINTENANCE

Always turn off and unplug the unit before cleaning to avoid electrical shock.

CLEANING THE HOUSING

Wipe the surface of the unit with a soft, damp cloth. Do not use abrasive chemicals or detergents to clean the surface of the unit, as the unit may become scratched or damaged.

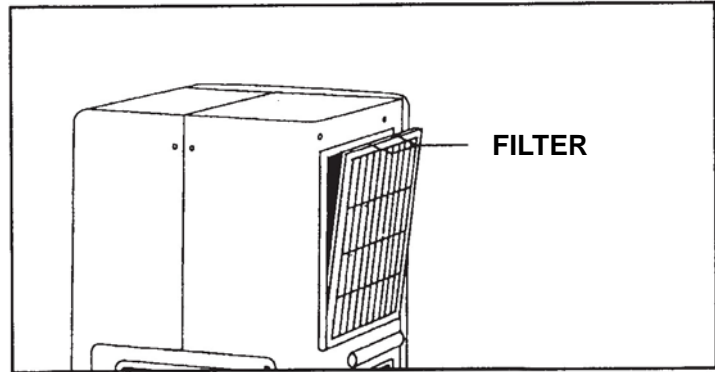
Avoid direct exposure to sunlight as this may change the surface color.

CLEANING THE FILTER

Open the air filter cover on the side of the unit and remove the filter from the cover.

Immerse the filter gently in warm water with a mild detergent. Rinse thoroughly and dry before replacing.

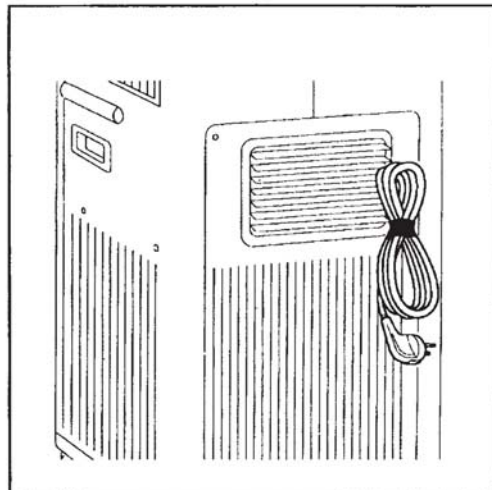
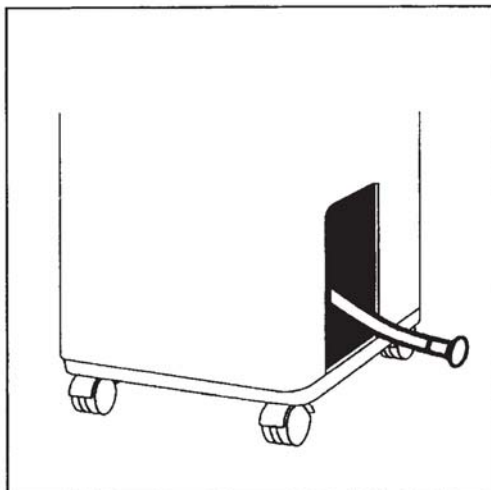
An unclean air filter reduces air volume. The filter should be cleaned every two weeks.



END OF SEASON STORAGE

To store the unit, please follow these steps:

- Turn off and unplug the unit.
- Remove the stopper from the water drain pipe and allow it to drain completely.
- Drain all condensate water from the water bucket.
- Turn the unit to fan mode for a couple of hours to completely dry out the inside.
- Clean the filter.
- Wrap the cord around the cord hooks.
- It is recommended that the unit be packed in its original carton for storage.
- Store in a dry location.



TROUBLESHOOTING

Before seeking repair or service, please check the following:

PROBLEM	POSSIBLE CAUSE	REMEDY
Unit does not operate or only runs in fan mode.	Is the unit plugged in?	Securely plug the power cord into the wall outlet.
	Is the main power supply on?	Reestablish the main power supply.
	Is the water bucket full indicator light on?	Empty the water bucket.
	Is the water bucket installed correctly	Completely insert water bucket
Cooling efficiency is not satisfactory.	Is the air inlet or outlet blocked?	Clear the blocking.
	Is there any other heat source in the room?	Move the heat source.
	Are the air filters dirty?	Clean the air filters.
	Is the fan speed set at low?	Increase the fan speed.
	Is the room too large for this unit?	This unit provides spot cooling or cooling for rooms up to 150 sq. ft. with a standard 8 ft. ceiling.
Unit is noisy or vibrates.	Is the machine positioned unevenly on a level surface?	Place the unit on a level surface.
Water Leaks from the Unit.	Is the unit positioned on an uneven surface?	Place the unit on a level surface
	Was the unit moved before emptying the bucket?	Empty the water bucket before moving the unit and keep the unit upright at all times.
	Is the stopper on the water drain pipe loose?	Make sure the stopper on the water drain is securely in place.
The unit starts and stops frequently.	Is the voltage from the power source correct?	Use a proper power source.
	Is the exhaust hose positioned incorrectly?	Position the exhaust hose correctly and keep the exhaust hose straight as possible.

TECHNICAL SPECIFICATIONS

MODEL	MAC-8000	
Cooling Capacity	8,000 BTU/Hr	
Dehumidifying Capacity	75 Pints per day	
Power Consumption	Cooling:	850 W
	Dehum:	680 W
Air Flow Volume	170 CFM	
Power Source	115 V / 60 HZ	
Rated Current	Cooling:	7.4 A
	Dehum:	5.9 A
Sound Pressure Level	<53 db(A)	
Weight	67 lbs	
Dimensions	16.125 X 12.75 X 31.5 inches (WxDxH)	
Refrigerant	R22	

DISCLAIMER

ALL INFORMATION AND THE TECHNICAL SPECIFICATIONS PRESENTED IN THIS USER'S MANUAL ARE THE PRESENTATION OF THE MANUFACTURER. SOLEUS INTERNATIONAL HAS NOT CONDUCTED INDEPENDENT TEST TO THE INFORMATION AND THE SPECIFICATIONS PRESENTED HEREWITHIN.

WARRANTY

One Year Limited Warranty

Soleus International Inc. warrants the accompanying Soleus Air MAC-8000 to be free of defects in material and workmanship for the applications specified in its operation instruction for a period of ONE (1) year from the date of original retail purchase in the United States.

If the unit exhibits a defect in normal use, Soleus International Inc. will, at its option, either repair or replace it, free of charge within a reasonable time after the unit is returned during the warranty period.

As a condition to any warranty service obligation, the consumer must present this Warranty Certificate along with a copy of the original purchase invoice.

THIS WARRANTY DOES NOT COVER:

- 1) Damage, accidental or otherwise, to the unit while in the possession of a consumer not caused by a defect in material or workmanship.
- 2) Damage caused by consumer misuse, tampering, or failure to follow the care and special handling provisions in the instructions.
- 3) Damage to the finish of the case, or other appearance parts caused by wear.
- 4) Damage caused by repairs or alterations of the unit by anyone other than those authorized by Soleus International Inc.
- 5) Freight and Insurance cost for the warranty service.

ALL WARRANTIES, INCLUDING ANY IMPLIED WARRANTY OF MERCHANT ABILITY ARE LIMITED TO ONE-YEAR DURATION OF THIS EXPRESS LIMITED WARRANTY. **SOLEUS INTERNATIONAL INC.** DISCLAIMS ANY LIABILITY FOR CONSEQUENTIAL OR INCIDENTAL DAMAGES AND IN NO EVENT SHALL SOLEUS INTERNATIONAL INC'S LIABILITY EXCEED THE RETAIL VALUE OF THE UNIT FOR BREACH OF ANY WRITTEN OR IMPLIED WARRANTY WITH RESPECT TO THIS UNIT.

This warranty covers only new products purchased from our authorized dealers or retailers. It does not cover used, salvaged, or refurbished products.

As some states do not allow the limitation or exclusion of incidental or consequential damages, or do not allow limitation on implied warranties, the above limitations and exclusions may not apply to you. This warranty gives you specific legal rights, and you may also have other rights that vary from state to state.

For Warranty, Technical Support, Customer Service, Missing or Defective Parts

Please Call (888) 876-5387

Or Write To:

Soleus International Inc.

9451 Telstar Ave.

El Monte, CA 91731 USA

www.soleusair.com

Free Manuals Download Website

<http://myh66.com>

<http://usermanuals.us>

<http://www.somanuals.com>

<http://www.4manuals.cc>

<http://www.manual-lib.com>

<http://www.404manual.com>

<http://www.luxmanual.com>

<http://aubethermostatmanual.com>

Golf course search by state

<http://golfingnear.com>

Email search by domain

<http://emailbydomain.com>

Auto manuals search

<http://auto.somanuals.com>

TV manuals search

<http://tv.somanuals.com>